

# CRAFTSMAN®

Product questions or problems?

## 1-888-331-4569

### Customer Care Hot Line

Get answers to questions, troubleshoot problems,  
order parts, or schedule repair service.

Para respuestas a preguntas o problemas, y ordenar  
piezas o pedir servicio para la reparación de su equipo.

To help us help you, register your product at [www.craftsman.com/registration](http://www.craftsman.com/registration)

Para poderte ayudar mejor, registra tu producto en [www.craftsman.com/registration](http://www.craftsman.com/registration)

Join the Craftsman Club today!

## CRAFTSMAN® CLUB

[www.craftsman.com/signup](http://www.craftsman.com/signup)

Receive exclusive member benefits including special pricing and offers,  
project sharing, expert advice, and SHOP YOUR WAY REWARDS!

Como miembro exclusivo, recibe diversos beneficios como ofertas, precios especiales, proyectos  
nuevos, consejos de expertos y nuestro programa de puntos SHOP YOUR WAY REWARDS!

® Registered Trademark / ™ Trademark of KCD IP, LLC in the United States, or Sears Brands, LLC in other countries  
® Marca Registrada / ™ Marca de Fábrica de KCD IP, LLC en Estados Unidos, o Sears Brands, LLC en otros países

## Repair Parts Manual

# CRAFTSMAN®

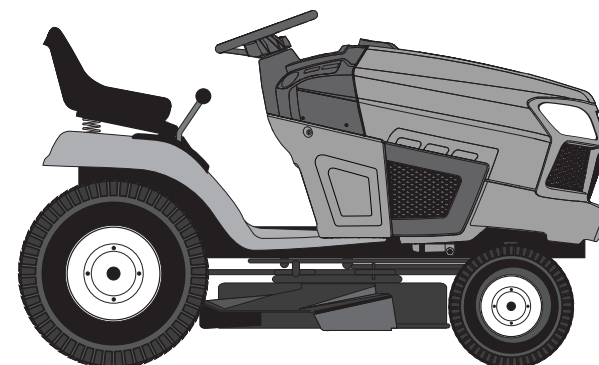
## LAWN TRACTORS

WITH SMART LAWN TECHNOLOGY



24.0 HP,\* 54" Mower  
Electric Start  
Automatic Transmission

Model No.  
**917.273941**



For answers to your questions  
about this product, call:

**1-888-331-4569**

**Craftsman Customer Help Line**

Sears Brands Management Corporation, Hoffman Estates, IL 60179 U.S.A.  
Visit our Craftsman website: [www.craftsman.com](http://www.craftsman.com)

## 589915101

\* The power rating as declared by the engine manufacturer is the average gross power output at the specified RPM of a typical production engine for the engine model measured using SAE Standards for engine gross power. Please refer to the engine manufacturer for details.

**⚠ WARNING:** This tractor is equipped with an internal combustion engine and should not be used on or near any unimproved forest-covered, brush-covered or grass-covered land unless the engine's exhaust system is equipped with a spark arrester meeting applicable local or state laws (if any). If a spark arrester is used, it should be maintained in effective working order by the operator.

In the state of California the above is required by law (Section 4442 of the California Public Resources Code). Other states may have similar laws. Federal laws apply on federal lands. A spark arrester for the muffler is available through your nearest Sears service center (See ENGINE ASSEMBLY section of this manual).

## REPAIR PROTECTION AGREEMENTS

Congratulations on making a smart purchase. Your new Craftsman® product is designed and manufactured for years of dependable operation. But like all products, it may require repair from time to time. That's when having a Repair Protection Agreement can save you money and aggravation.

*Purchase a Repair Protection Agreement now and protect yourself from unexpected hassle and expense.*

Here's what's included in the Agreement:

- **Expert service** by our 12,000 professional repair specialists.
- **Unlimited service and no charge** for parts and labor on all covered repairs.
- **Product replacement** if your covered product can't be fixed.
- **Discount of 25%** from regular price of service and service-related parts not covered by the agreement; also, 25% off regular price of preventive maintenance check.
- **Fast help by phone** – phone support from a Sears representative on products requiring in-home repair, plus convenient repair scheduling.

Once you purchase the Agreement, a simple phone call is all that it takes for you to schedule service. You can call anytime day or night, or schedule a service appointment online.

Sears has over 12,000 professional repair specialists, who have access to over 4.5 million quality parts and accessories. That's the kind of professionalism you can count on to help prolong the life of your new purchase for years to come. Purchase your Repair Protection Agreement today!

**Some limitations and exclusions apply.**

**For prices and additional information call 1-800-827-6655.**

## SEARS INSTALLATION SERVICE

*For Sears professional installation of home appliances, garage door openers, water heaters, and other major home items, in the U.S.A. call 1-800-4-MY-HOME®.*

**TRACTOR - - MODEL NUMBER 917.273941**  
**BRIGGS ENGINE - - MODEL NUMBER 44U877, TYPE NUMBER 0009-G1**

**SCHEMATIC**

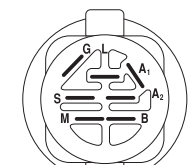
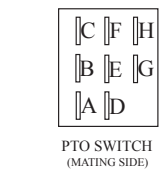
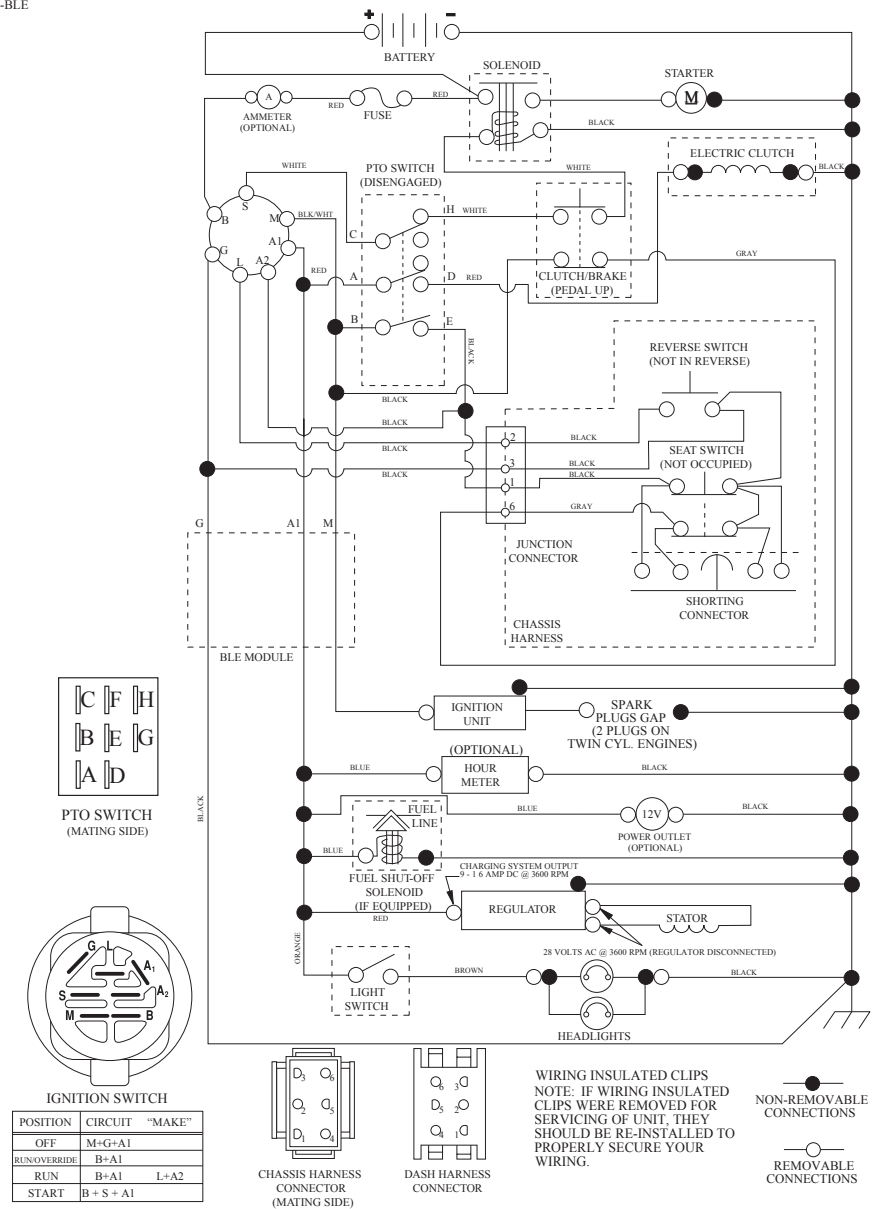
KEY NO.	PART NO.	DESCRIPTION	KEY NO.	PART NO.	DESCRIPTION
505	691029	Nut (Governor Control Lever)	918	596163	Hose-Vacuum (Rocker Cover #1)
510	592602	Drive-Starter	918A	799160	Hose-Vacuum (EVAP)
513	692024	Clutch-Drive	943	796222	Seal-O Ring (Oil Pump Cover)
523	594528	Dipstick	947	798779	Solenoid-Fuel
524	691032	Seal-Dipstick Tube	964	799159	Cap-Connector
525	691037	Tube-Dipstick	965	796221	Cover-Oil Pump
526	691108	Screw (Regulator)	968	795120	Cover-Air Cleaner
537	594915	Kit-Governor/Idle Spring	975	594208	Bowl-Fuel
540	594325	Plate-Baffle	1005	593640	Fan-Flywheel
552	796638	Bushing-Governor Crank	1012	592556	Retainer-Link
552A	690553	Bushing-Governor Crank	1013	690954	Nipple-Oil Filter
562	690311	Screw (Governor Control Lever)	1017	796214	Screen-Oil Pump
573	594902	Plate-Back	1022	690971	Gasket-Rocker Cover
584	594164	Cover-Breather Passage	1023	793146	Cover-Rocker (Cylinder #1)
601	691038	Hose-Clamp (Black)	1023A	499600	Cover-Rocker (Cylinder #2)
601A	791850	Hose-Clamp (Green)	1024	796220	Pump-Oil
615	698290	Retainer-Governor Shaft	1026	690981	Rod-Push (Exhaust) (Steel)
616	691045	Crank-Governor	1026A	690982	Rod-Push (Intake) (Aluminum)
617	594209	Seal-O Ring (Intake Manifold) (Green) (Pack of 2)	1027	696854	Filter-Oil
617A	691917	Seal-O Ring (Intake Manifold) (Red)	1029A	807323	Arm-Rocker
618	594326	Screw (Baffle Plate)	1036		Arm-Rocker
633	699813	Seal-Choke/Throttle Shaft (Choke Shaft)	1040	791237	Label-Emissions (Available from a Briggs & Stratton Authorized Dealer)
633A	699813	Seal-Choke/Throttle Shaft (Throttle Shaft)	1051	691265	Plate-Trim
635	66538s	Boot-Spark Plug	1059	698516	Ring-Retaining
654	690958	Nut (Carburetor) (Serrated)	1070	593638	Kit-Screw/Washer (Alternator)
668	691500	Spacer (Rotating Screen)	1075	593638	Screw (Flywheel Fan)
668A	691215	Spacer (Rotating Screen)	1090	691293	Retainer-Brush
684	691108	Screw (Breather Passage Cover)	1095	594214	Gasket Set-Valve
691	790574	Seal-Governor Shaft	1100	791959	Pivot-Rocker Arm
697	591909	Screw (Drive Cap)	1119	691183	Screw (Alternator)
703	691010	Clip (Fuel Line)	1127	695407	Screw (Float Bowl)
718	690959	Pin-Locating	1263	594166	Reed-Breather
718A	594988	Pin-Locating	1264	594165	Screw (Breather Reed)
729	593826	Clip-Wire	1329	N/A	Replacement Engine
741	690980	Gear-Timing	1330	N/A	Repair Manual
742	690328	Retainer-E Ring			
750	796208	Screw (Oil Pump Cover)			
783	592600	Gear-Pinion (Steel)			
789	591392	Harness-Wiring			
798	697890	Screw (Rocker Arm)			
801	691283	Cap-Drive			
802	691286	Cap-End			
842	691031	Seal-O Ring (Dipstick Tube)			
847	499602	Dipstick/Tube Assembly			
850	100106	Sealant-Liquid			
851	493880s	Terminal-Spark Plug			
865	591667	Cover-Air Guide (Valley)			
868	690968	Seal-Valve			
883	690970	Gasket-Exhaust			
914	691127	Screw (Rocker Cover)			

**NOTE:** All component dimensions given in U.S. inches  
 1 inch = 25.4 mm

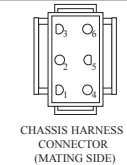
Carburetor Overhaul Kit    Key No. 121  
 Engine Gasket Set        No. 358  
 Valve Gasket Set         Key No. 1095

SC112-BLE

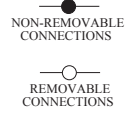
**TRACTOR - - MODEL NUMBER 917.273941**



POSITION	CIRCUIT	"MAKE"
OFF	M+G+A1	
RENOVERRIDE	B+A1	
RUN	B+A1	L+A2
START	B + S + A1	

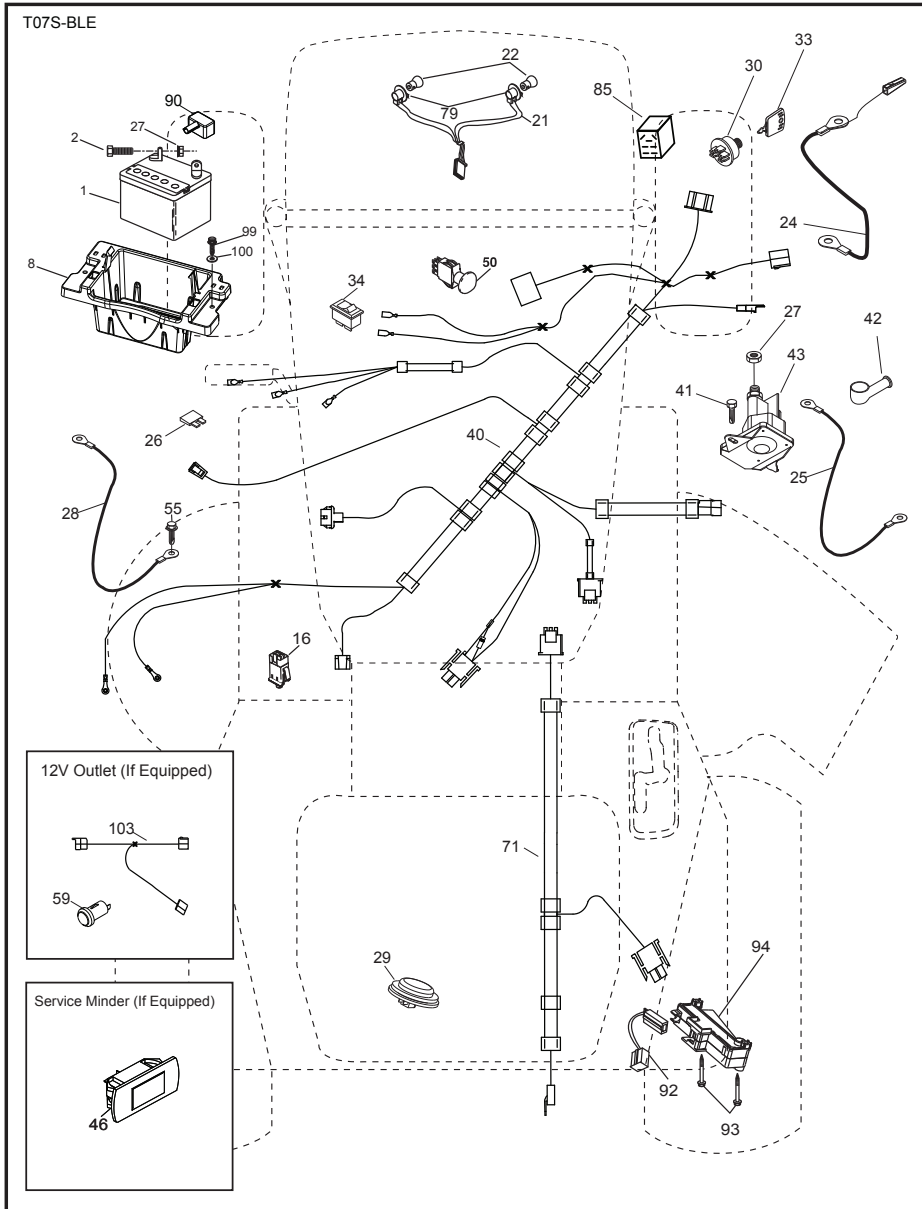


**WIRING INSULATED CLIPS**  
 NOTE: IF WIRING INSULATED CLIPS WERE REMOVED FOR SERVICING OF UNIT, THEY SHOULD BE RE-INSTALLED TO PROPERLY SECURE YOUR WIRING.



TRACTOR -- MODEL NUMBER 917.273941

ELECTRICAL



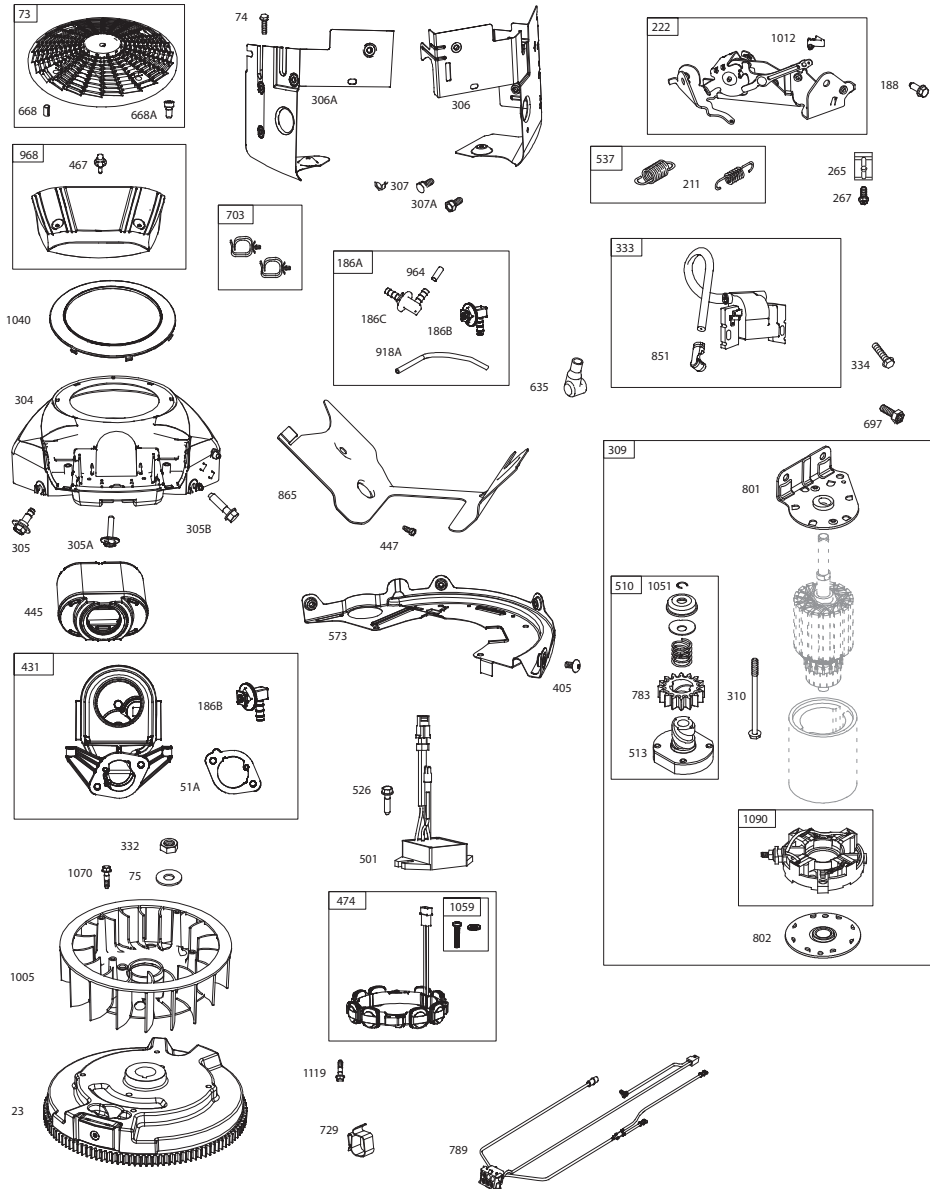
TRACTOR -- MODEL NUMBER 917.273941  
BRIGGS ENGINE -- MODEL NUMBER 44U877, TYPE NUMBER 0009-G1

KEY NO.	PART NO.	DESCRIPTION	KEY NO.	PART NO.	DESCRIPTION
1	594970	Cylinder Assembly	135	591701	Tube-Fuel Transfer
2	797673	Bushing/Seal Kit (Magneto Side)	137	698781	Gasket-Float Bowl
3	391086s	Seal-Oil (Magneto Side)	141	594211	Kit-Choke Shaft
4	594974	Sump-Engine	142	796871	Nozzle-Carburetor
5	799088	Head-Cylinder (Cylinder #1)	150	841649	Gasket-Nozzle
5A	799089	Head-Cylinder (Cylinder #2)	163	691001	Gasket-Air Cleaner
7	693997	Gasket-Cylinder Head	186A	799158	Connector-Hose (EVAP)
9	690937	Gasket-Breather	186B	845141	Connector-Hose (EVAP)
11	594163	Tube-Breather	186C	594428	Connector-Hose (EVAP)
12	594195	Gasket-Crankcase (Includes 10 Sump Screws) (Used Before Date Code15071600).	187	791766	Line-Fuel (Cut to Required Length)
13	592244	Screw (Cylinder Head)	188	691108	Screw (Control Bracket)
15	690946	Plug-Oil Drain	192	690083	Adjuster-Rocker Arm
16	796237	Crankshaft	211	593724	Spring-Governed Idle (Black)
20	795387	Seal-Oil (PTO Side)	212	792265	Link-Throttle
22	694966	Screw (Crankcase Cover/Sump)	216	796229	Link-Choke
23	594169	Flywheel	217	799771	Spring-Choke Return
24	222698s	Key-Flywheel (Aluminum)	219	793338	Gear-Governor
25	793560	Piston Assembly (Standard)	220	799772	Washer (Governor Gear)
	793563	Piston Assembly (.020" Oversize)	221	841026	Cup-Governor
26	792026	Ring Set (Standard)	222	592555	Bracket-Control
	792073	Ring Set (.020" Oversize)	227	798856	Lever-Governor Control
27	690975	Lock-Piston Pin	232	795915	Spring-Governor Link
28	593650	Pin-Piston	240	845125	Filter-Fuel
29	796209	Rod-Connecting	265	691024	Clamp-Casing
32	690976	Screw (Connecting Rod)	267	792629	Screw (Casing Clamp)
33	793557	Valve-Exhaust	276	695410	Washer-Sealing
34	793556	Valve-Intake	287	697820	Screw (Dipstick Tube)
35	694865	Spring-Valve (Intake)	304	591668	Housing-Blower
36	694865	Spring-Valve (Exhaust)	305	594618	Screw (Blower Housing) (1/4-20x.5)
42	499586	Keeper-Valve	305A	790690	Screw (Blower Housing) (#10-16x.6)
45	690977	Tappet-Valve	305B	691061	Screw (Blower Housing) (#8-32x.8)
46	797242	Camshaft	306	591666	Shield-Cylinder (Cylinder #2)
48	N/A	Short Block	306A	796852	Shield-Cylinder (Cylinder #1)
50	594206	Manifold-Intake	307	691003	Screw (Cylinder Shield) (#10-24x.4)
51	594204	Gasket-Intake	307A	691108	Screw (Cylinder Shield) (1/4-20x.6)
51A	594203	Gasket-Intake	309	592599	Motor-Starter (Steel Ring Gear)
53	690951	Stud (Carburetor)	310	690323	Screw (Starter Motor)
54	699816	Screw (Intake Manifold) (1/4-20x.6)	332	691059	Nut (Flywheel)
73	494439	Screen-Rotating	333	592846	Armature-Magneto
74	698425	Screw (Rotating Screen)	334	691061	Screw (Magneto Armature)
75	691056	Washer (Flywheel)	337	491055s	Plug-Spark
95	690718	Screw (Throttle Valve)	358	594213	Gasket Set-Engine
98	695408	Kit-Idle Speed	377	690979	Key-Woodruff
104	694918	Pin-Float Hinge	385	797409	Screw (Fuel Pump)
105	698537	Valve-Float Needle	387	808656	Pump-Fuel
117	842585	Jet-Main (Standard)	404	690442	Washer (Governor Crank)
118	592296	Jet-Main (High Altitude) (5000 > 9000 Feet)	405	594937	Screw (Back Plate)
121	594212	Kit-Carburetor Overhaul	415	794903	Plug
121	596033	Carburetor	431	596034	Elbow-Intake
127	699810	Plug-Welch	445	593240	Filter-Air Cleaner Cartridge
131	594210	Kit-Throttle Shaft	447	691003	Screw (Air Guide Cover) (#10-24x.4)
133	694914	Floater-Carburetor	467	790697	Knob-Air Cleaner
			474	592830	Alternator
			501	593490	Regulator

**TRACTOR - - MODEL NUMBER 917.273941**  
**BRIGGS ENGINE - - MODEL NUMBER 44U877, TYPE NUMBER 0009-G1**

**ELECTRICAL**

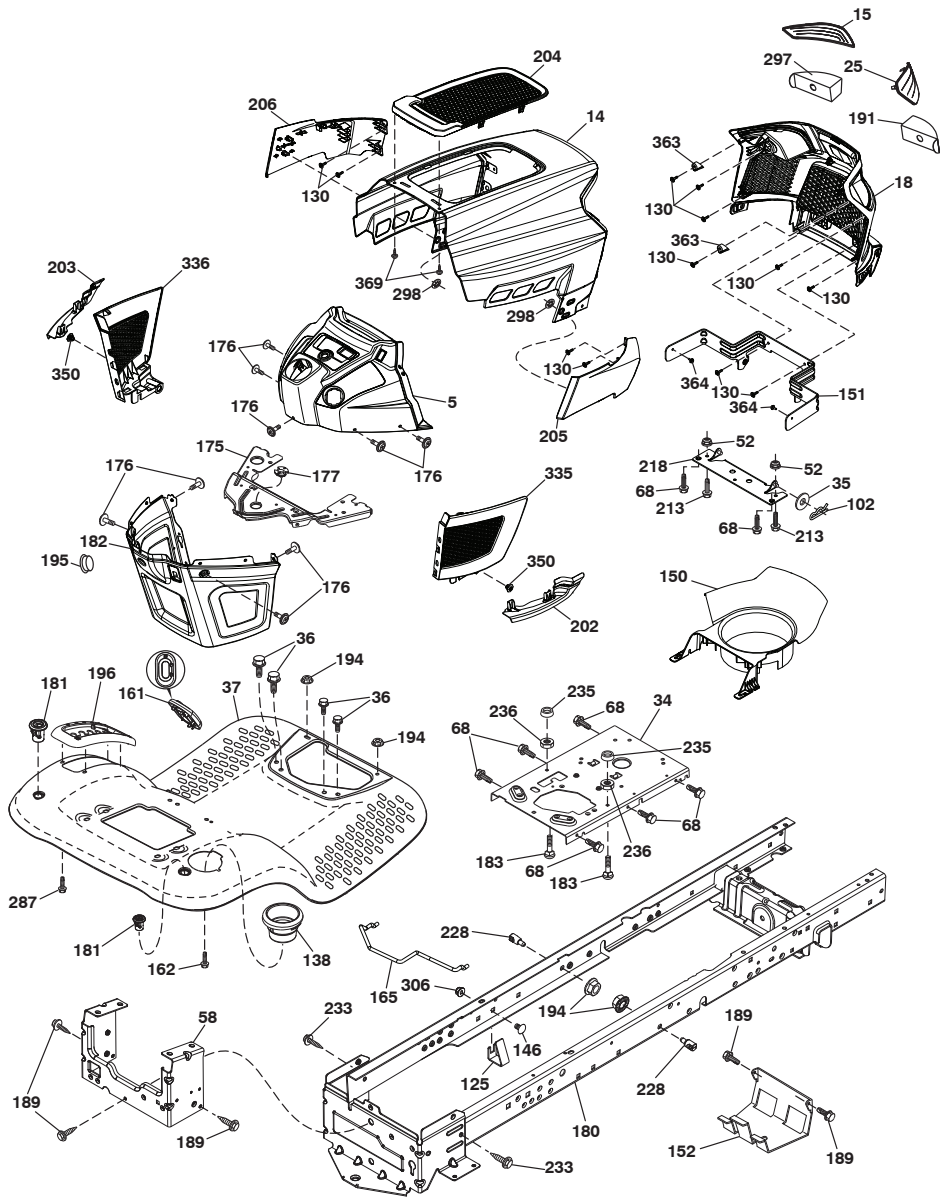
**TRACTOR - - MODEL NUMBER 917.273941**



KEY PART NO.	NO.	DESCRIPTION
1	163465	Battery
2	74760412	Bolt Hex Head 1/4-20 x 3/4
8	587205101	Box Battery
16	176138	Switch Interlock Push-In
21	400252	Harness Socket Light w/4152J
22	4152J	Bulb Light
24	585555601	Cable Battery
25	585555501	Cable Starter
26	175158	Fuse
27	73510400	Nut Keps Hex 1/4-20 unc
28	416588	Cable, Ground
29	401545	Switch, Seat
30	193350	Asm. Smart Ignition
33	411932	Key/Chain
34	110712X	Switch Light/Reset
40	501132901	Harness Ign. Dash
41	17720408	Screw 1/4-20 x 1/2
42	131563	Cover, Terminal
43	582042801	Solenoid
46	586161801	Gauge Hourmeter
50	582107602	Switch, PTO
55	17060512	Screw 5/16-18 x 3/4
71	194276	Harness Ignition Chassis
79	175242	Socket Asm. Bulb
85	589795601	Switch Module Key BLE
90	435395	Cover Terminal Battery
92	196615	Harness Pigtail
93	192540	Screw Plastic
94	191834	Module Reverse
99	17670412	Screw Hexwsh Thdrol 1/4-20 x 3/4
100	19091416	Washer 9/32 x 7/8 x 16 Ga.

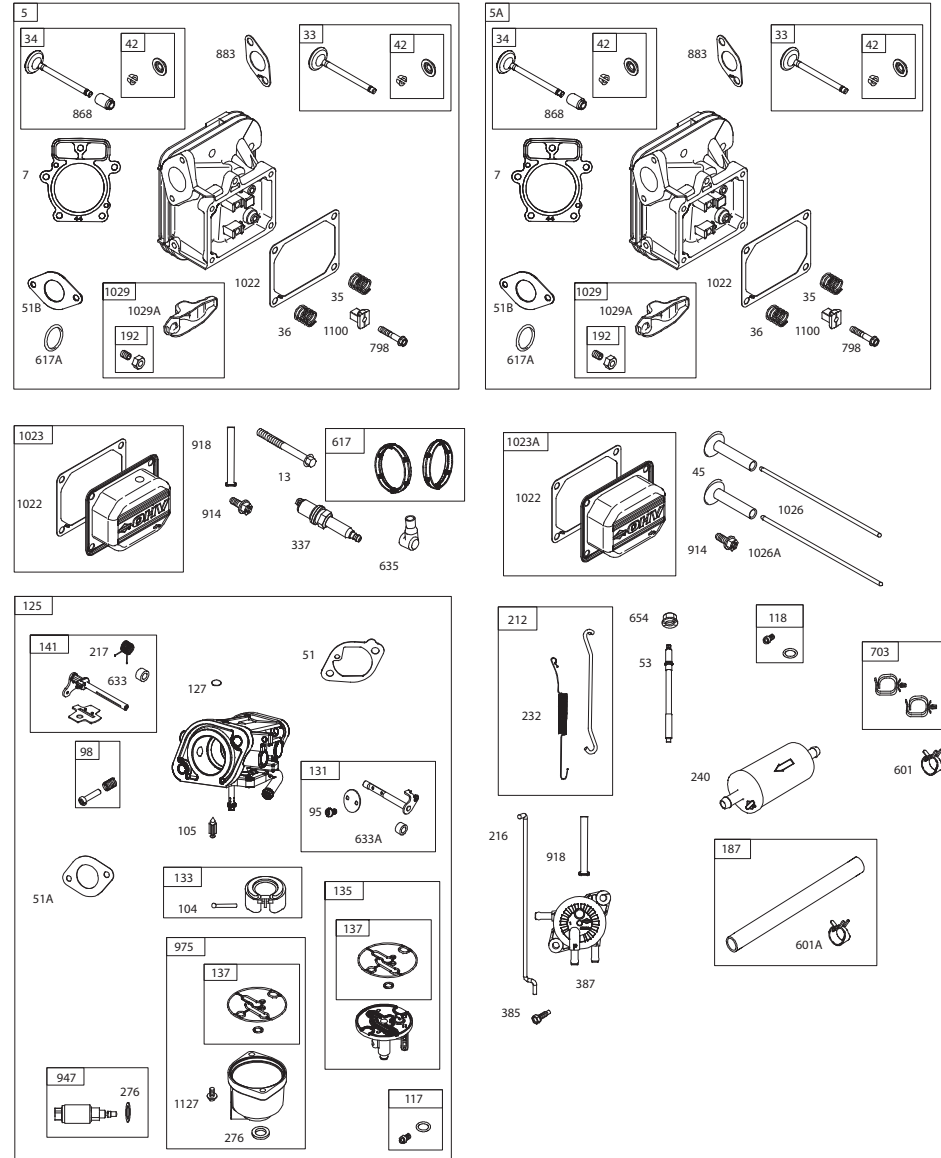
**NOTE:** All component dimensions given in U.S. inches  
 1 inch = 25.4 mm

**TRACTOR - - MODEL NUMBER 917.273941**  
**CHASSIS AND ENCLOSURES**

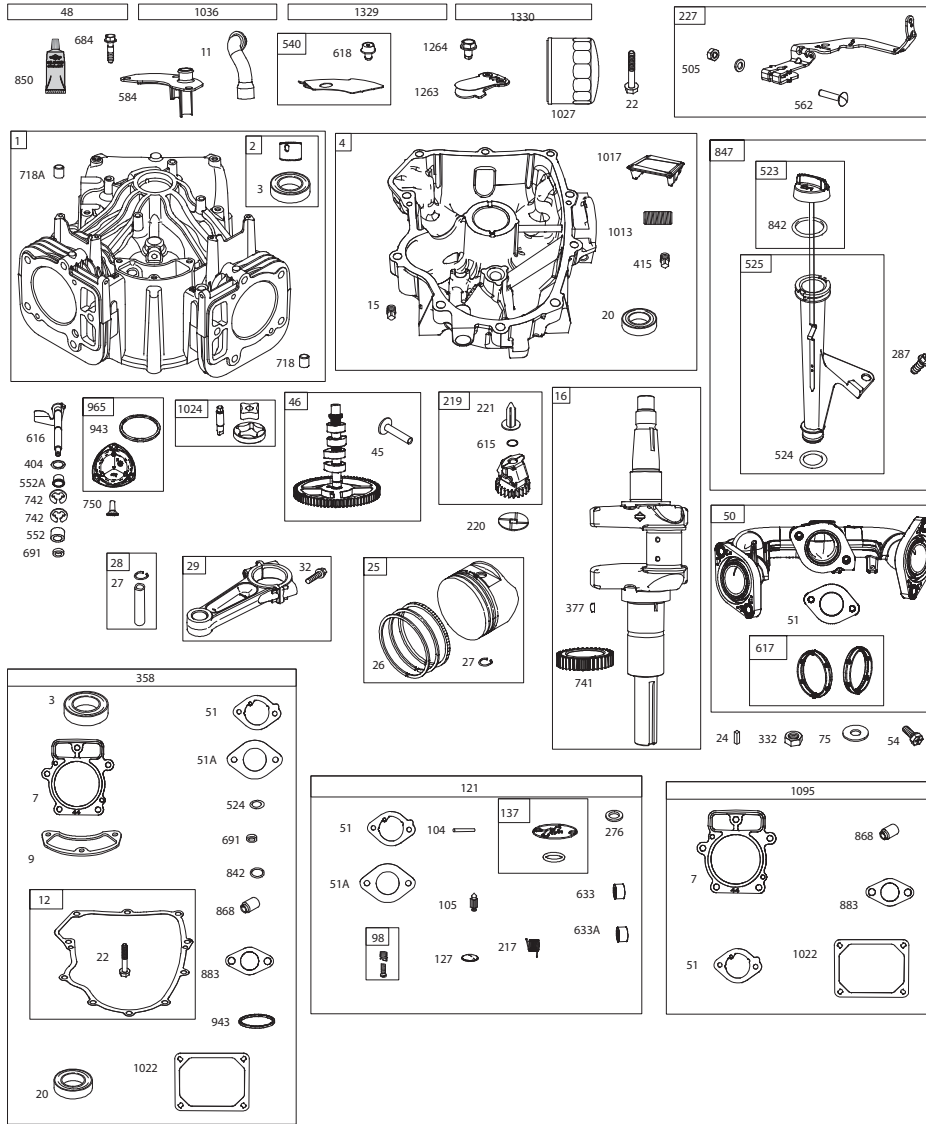


chassis-tex\_TALON II\_23\_r1

**TRACTOR - - MODEL NUMBER 917.273941**  
**BRIGGS ENGINE - - MODEL NUMBER 44U877, TYPE NUMBER 0009-G1**



**TRACTOR - - MODEL NUMBER 917.273941  
BRIGGS ENGINE - - MODEL NUMBER 44U877, TYPE NUMBER 0009-G1**

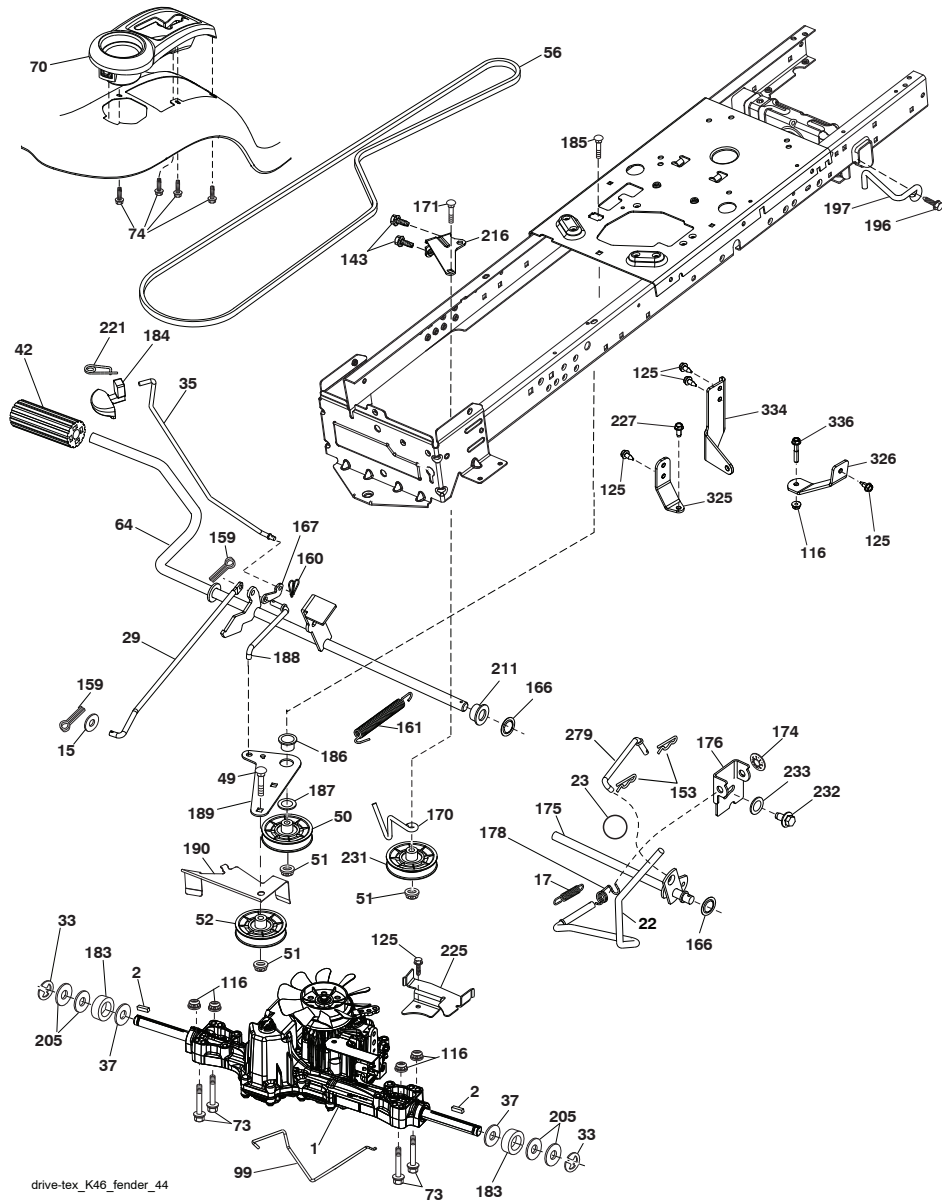


**TRACTOR - - MODEL NUMBER 917.273941  
CHASSIS AND ENCLOSURES**

KEY PART NO.	NO.	DESCRIPTION
5	580485906	Dash
14	580354406	Hood
15	580485601	Lens LH
18	580485301	Grille
25	580484501	Lens RH
34	580910801	Plate engine
35	191111116	Washer 11/32 x 11/16 x 16 Ga.
36	17060512	Screw 5/16-18 x 3/4
37	414870X615	Fender
52	73680500	Nut Crown Lock 5/16-18
58	412280	Drawbar Upper 2 pc
68	17490508	Screw Thdrol 5/16-18 x 1/2
102	4497H	Retainer Spring 1"
125	581684801	Clip Fuel Line
130	416358	Screw # 10 x .750 BOS Thread
138	193224X428	Cup Holder
146	581857901	Bolt
150	585238002	Duct Heat Hood
151	580663302	Bracket Pivot
152	199535	Shield Browning/Debris
161	193229X428	Console Fuel Window
162	142432	Screw Hex Wsh Hi-Lo 1/4 x 1/2
165	196826	Support Tank
175	196304	Crossmember
176	400776	Screw 10-24 x 5/8 Wshd Qdrx
177	195228	Bushing Steering
180	415063	Chassis
181	193102X428	Bushing Mtg. Fender Crgo.
182	586738602	Dash Lower
183	74520520	Bolt 5/16-18 x 1-1/4
189	17000512	Screw 5/16-18 x 3/4
191	580485101	Mylar Headlight/Reflective LensRH
194	73900500	Nut Lock Hex Flange 5/16-18
195	401556X428	Plug Hole Dash 12V Adapter
196	431658	Console Asm. Deck Lift
202	580485001	C-Closeout Lwr Trm RH
203	580484801	C-Closeout Lwr Trm LH
204	580484701	Top Vent Hood
205	580843706	Assembly Corner RH
206	580843806	Assembly Corner LH
213	74760512	Bolt hex HD 5/16-18 unc x 3/4
218	580897302	Pivot Hood Assy
228	195161	Stud Fastener
233	196539	Bolt Shoulder
235	406129	Spacer Fender
236	73930500	Nut Center Lock 5/16-18
287	17600406	Screw Hx 1/4-20 x 3/8
297	580484901	Mylar Headlight/Reflective Lens LH
298	580851001	Nut Push
306	73900600	Nut Lock
335	580484602	C-Side Closeout RH
336	580484402	C-Side Closeout LH
350	445143	Clip X-Mass Tree
363	580724501	Cap Talon Grille
364	17060408	Screw
369	421756	Screw

**NOTE:** All component dimensions given in U.S. inches  
1 inch = 25.4 mm

TRACTOR - - MODEL NUMBER 917.273941  
GROUND DRIVE



drive-tex\_K46\_fender\_44

TRACTOR - - MODEL NUMBER 917.273941  
TUFFTORQ TRANSAXLE - - MODEL NUMBER K46BA (448348)

KEY NO.	PART NO.	DESCRIPTION
- - - - -	- - - - -	K46BA TRANSAXLE
7	414395	VENT VALVE 15
8	414396	MAGNET
9	414397	MAGNET HOLDER
10	415923	PUMP SHAFT/BEARING KIT
13	414398	BYPASS LEVER
15	414399	SEALING CAP 30
16	414400	SNAP RING C 35
19	414401	O-RING 1A P10A
20	414402	SEAL TC 153507
33	414403	PUMP SHAFT (STANDARD)
34	414404	E-RING 15
35	414405	BEARING 6202C3
58	414406	ROLL PIN 6 * 40
72	414407	SEAL 19 * 32 * 8
76	414408	BRAKE LEVER
78	414409	BRAKE RETURN SPRING
80	414410	SPRING PIN 5 * 32
81	414411	O-RING 1A P12
82	414412	SPRING PIN 4 * 16
83	414413	SPINE COLLAR
84	414414	PULLEY L
85	414415	FAN, BLACK
86	414416	WAVE WASHER
87	414417	SNAP RING
90	414418	SPRING PIN 3.0A * 20
91	414419	OIL SEAL 16 * 22 * 03
95	415850	SPRING PIN 3.0A * 16
96	414420	ROLL PIN 3.5 * 40
97	414421	CONTROL LEVER
101	414216	LOCK NUT 10
102	414423	WASHER 10 * 40 * 4
103	414424	SPRING
105	414425	STUD 10 * 60
106	414426	SEALING CAP 18
107	414427	WASHER 10 * 36 * 2.8
108	414428	COLLAR 10 * 20 * 17
109	414429	FRICITION PLATE KIT

NOTE: All component dimensions given in U.S. inches  
1 inch = 25.4 mm

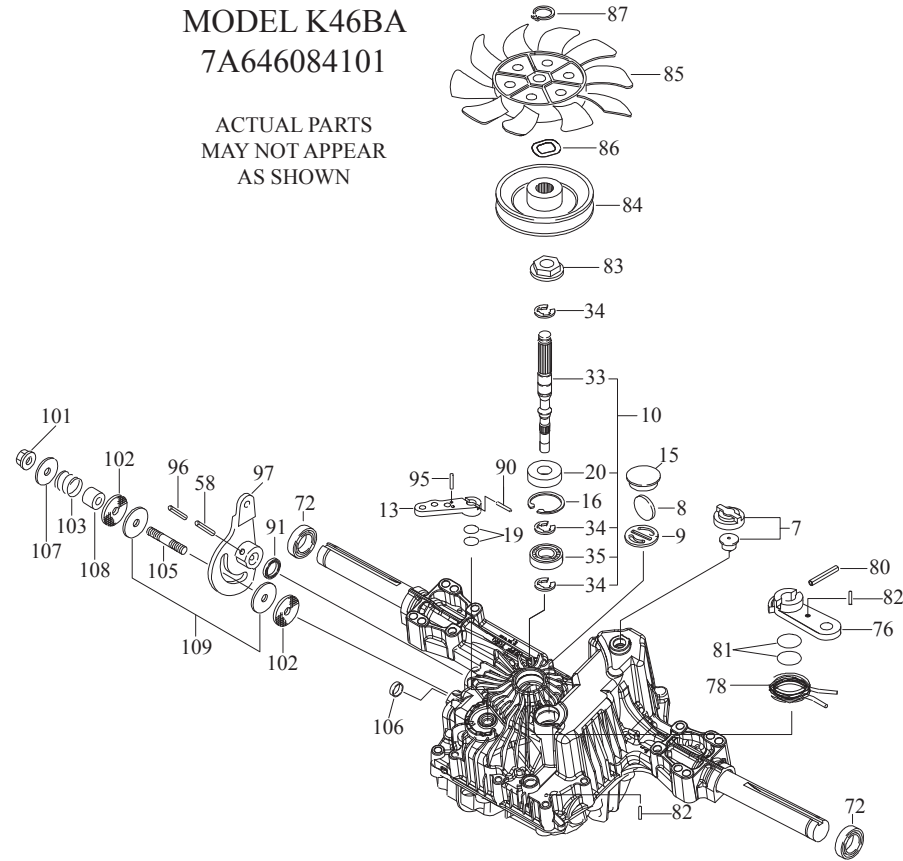


TRACTOR - - MODEL NUMBER 917.273941

TUFFTORQ TRANSAXLE - - MODEL NUMBER K46BA (448348)

MODEL K46BA  
7A646084101

ACTUAL PARTS  
MAY NOT APPEAR  
AS SHOWN

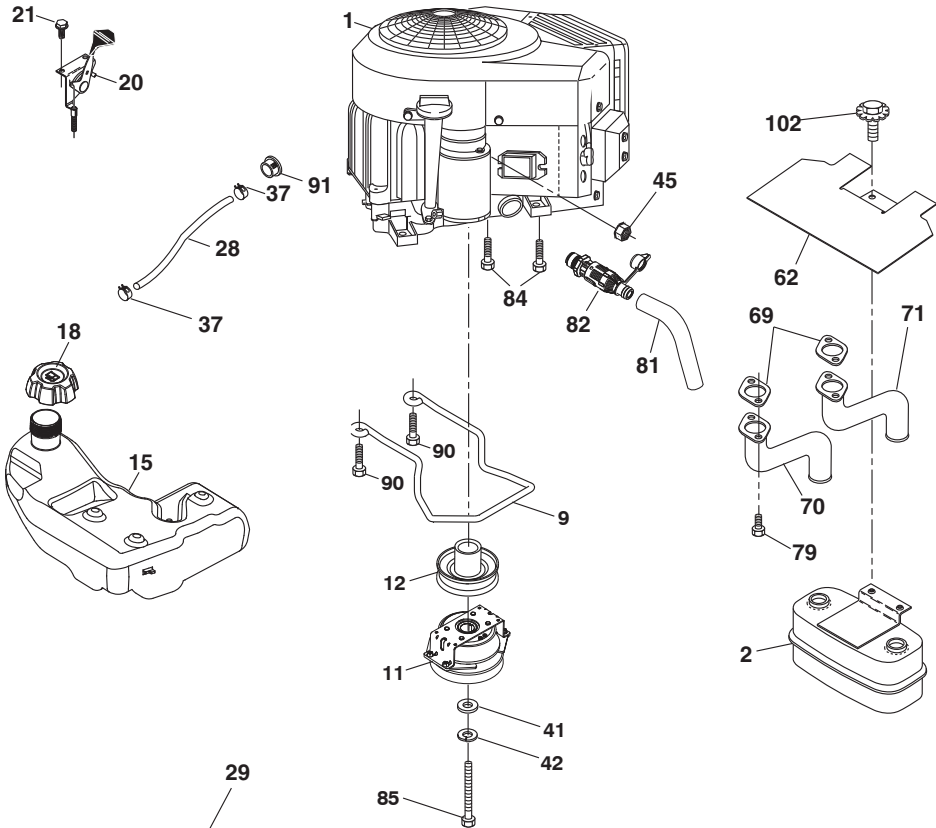


TRACTOR - - MODEL NUMBER 917.273941

GROUND DRIVE

KEY PART NO.	NO.	DESCRIPTION	KEY PART NO.	NO.	DESCRIPTION
1	---	Transaxle, Tufftorq K46 BA (448348)(See transaxle breakdown.)	174	197289	Nut Push
2	123583X	Key Square	175	406208	Shaft Asm Shift
15	19131316	Washer 13/32 x 13/16 x 16 Ga.	176	196214	Arm Clevis Rod Shift
17	413678	Spring, Brake	178	197456	Spring Shift
22	197660	Rod Shift	183	137057	Spacer Axle
23	140845	Knob	184	196439X428	Handle Parking Brake
29	403806	Rod, Brake	185	72110622	Bolt
33	12000001	Ring E	186	194321	Spacer Retainer
35	583864501	Rod, Brake, Park	187	19133210	Washer
37	188967	Washer Hardened	188	582217001	Link Clutch Ground Drive
42	8883R	Cover, Foot Pedal	189	194317	Bellcrank Ground Drive
49	72110614	Bolt	190	194318	Keeper Bellcrank Ground Drive
50	194327	Pulley Idler Flat	196	17000616	Screw 3/8-16 x 1 SMGL TAP
51	73900600	Lock Nut 3/8-16	197	585658601	Clutch Antirotation
52	194326	Idler V-Groove	205	121748X	Washer 25/32 x 1-5/8 x 16 Ga.
56	130969	V-Belt, Drive	211	196212	Bushing Shaft
64	196200	Shaft Asm. Pedal Brake Control	216	196131	Bracket Pulley Idler
70	193220X428	Console Shift	221	403187	Retainer Spring Clip Handle
73	74490540	Bolt Hex 5/16-18 x 2-1/2 Gr. 5	225	403319	Keeper Belt Transaxle
74	142432	Screw 1/4 x 1/2	227	17490512	Screw Thdrol 5/16-18 x 3/4
99	415742	Rod Spring Bypass	231	407287	Idler V-groove
116	73900500	Nut Lock Hex Flange 5/16-18	232	74780716	Bolt 7/16-14 x 1 Gr. 5
125	17000512	Screw 5/16-18 x 3/4	233	405296	Washer Serrated
143	17490508	Screw 5/16-18 x 1/2	279	413150	Link Shift
153	4497H	Retainer Spring 1" STD	325	586431201	Torque Strap K46
159	76020412	Pin Cotter 1/8 x 3/4	326	586001101	Bracket TRQ STP K46
160	169484	Retainer Clip	334	585882201	Sway Rod Bracket
161	105709X	Spring, Return, Clutch	336	587259601	Bolt 5/16-18 x1-3/4 Flg.
166	429164	Nut Push .625			
167	405257	Latch Brake Parking			
170	413430	Keeper Center Span			
171	72110616	Bolt 3/8-16 unc x 2			

NOTE: All component dimensions given in U.S. inches  
1 inch = 25.4 mm

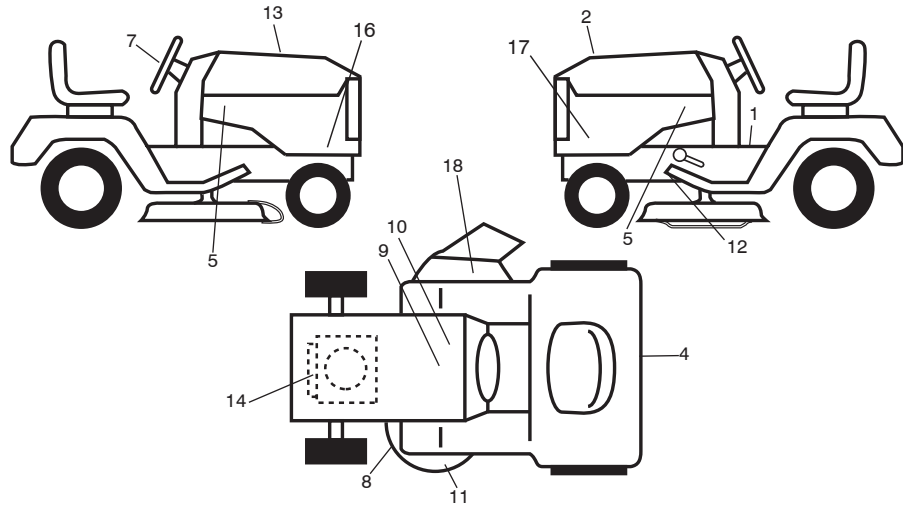


**SPARK ARRESTER KIT**

engine-tex\_bs-2cyl\_182

**TRACTOR - - MODEL NUMBER 917.273941**

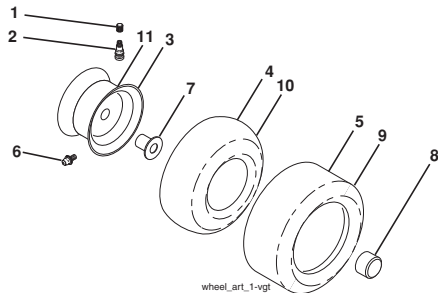
**DECALS**



KEY NO.	PART NO.	DESCRIPTION
1	581578801	Decal, Warning
2	585571401	Decal, Maintenance
4	587390201	Decal, Fender
5	585767601	Decal, Hood
7	581894601	Decal, Steering
8	581580002	Decal, Mower Schematic
9	434996	Decal, Battery Warning
10	434995	Decal, Battery
11	581724502	Decal, Mower Caution
12	421534	Decal, Mower V-Belt Schematic
13	589886601	Decal Replacement
14	582522701	Decal Engine

KEY NO.	PART NO.	DESCRIPTION
16	589899301	Decal, Sideskirt RH
17	589899401	Decal, Sideskirt LH
18	584904601	Decal, Deck/Deflect Warning
--	581724801	Decal Bypass
--	193227X428	Pad Footrest RH
--	193226X428	Pad Footrest LH
--	589914801	Manual, Operator's (English/Spanish)
--	589915101	Manual, Repair Parts
--	588799624	Manual, Quick Start Guide (English/Spanish)

**WHEELS & TIRES**



KEY NO.	PART NO.	DESCRIPTION
1	59192	Cap, Valve, Tire
2	65139	Stem, Valve
3	106732X613	Rim Assembly, Front
4	59904	Tube, Front (Service Item Only)
5	106222X	Tire, F TS 15 x 6.0
6	278H	Fitting, Grease (Front Wheel Only)
7	9040H	Bearing, Flange (Front Wheel Only)
8	104757X428	Cap, Hub
9	122082X	Tire, Rear 20 x 10-8C
10	7152J	Tube, Rear (Service Item Only)
11	106108X613	Rim Assembly, Rear
--	144334	Sealant, Tire (10 oz. Tube)

**NOTE:** All component dimensions given in U.S. inches  
1 inch = 25.4 mm

**TRACTOR - - MODEL NUMBER 917.273941**

**ENGINE**

KEY NO.	PART NO.	DESCRIPTION
1	---	Engine Briggs Model No. 44U877-0009-G1 (589810901) (See engine breakdown.)
2	445962	Muffler
9	501832601	Keeper Belt Engine
11	587241601	Clutch Electric
12	405097	Pulley Engine
15	438080	Tank Fuel
18	585124802	Cap Asm Fuel
20	421473X428	Control Throttle/Choke
21	416358	Screw 10 x .750 BOS Thread
28	401135	Fuel Line
29	137180	Spark Arrester Kit
37	123487X	Clamp Hose
41	126197X	Washer 1-1/2 OD x 15/32 ID x .250
42	539990247	Washer Lock 7/16
45	73510400	Nut Keps Hex 1/4-20 unc
62	434017	Shield Heat Muffler
69	165391	Gasket
70	581881101	Tube Exhaust LH
71	581881001	Tube Exhaust RH
79	183906	Screw 5/16-18 x 1
81	148456	Tube Drain Oil Easy
82	428287	Valve Drain Oil
84	17060620	Screw
85	501606601	Bolt Hex 7/16-20 x 3.75 x Gr. 5
90	17000616	Screw 3/8-16 x 1
91	187495	Bushing
102	17000512	Screw 5/16-18 x 3/4 THDRL Black

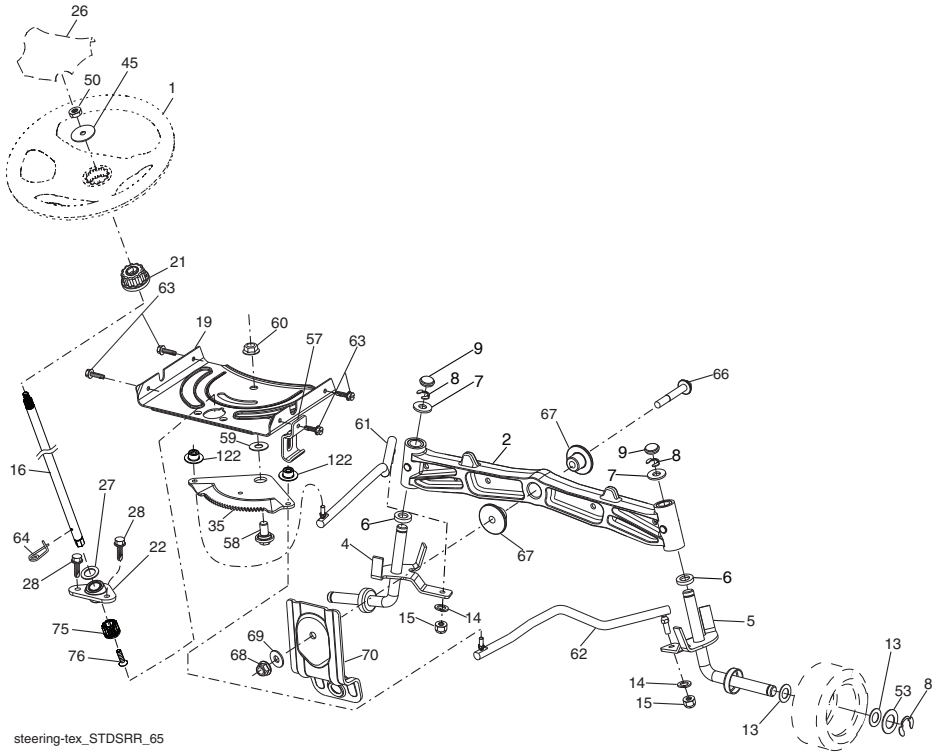
**NOTE:** All component dimensions given in U.S. inches  
1 inch = 25.4 mm

For engine service and replacement parts, call the toll free number for your engine manufacturer listed below:  
Briggs & Stratton 1-800-233-3723

**Engine Power Rating Information**

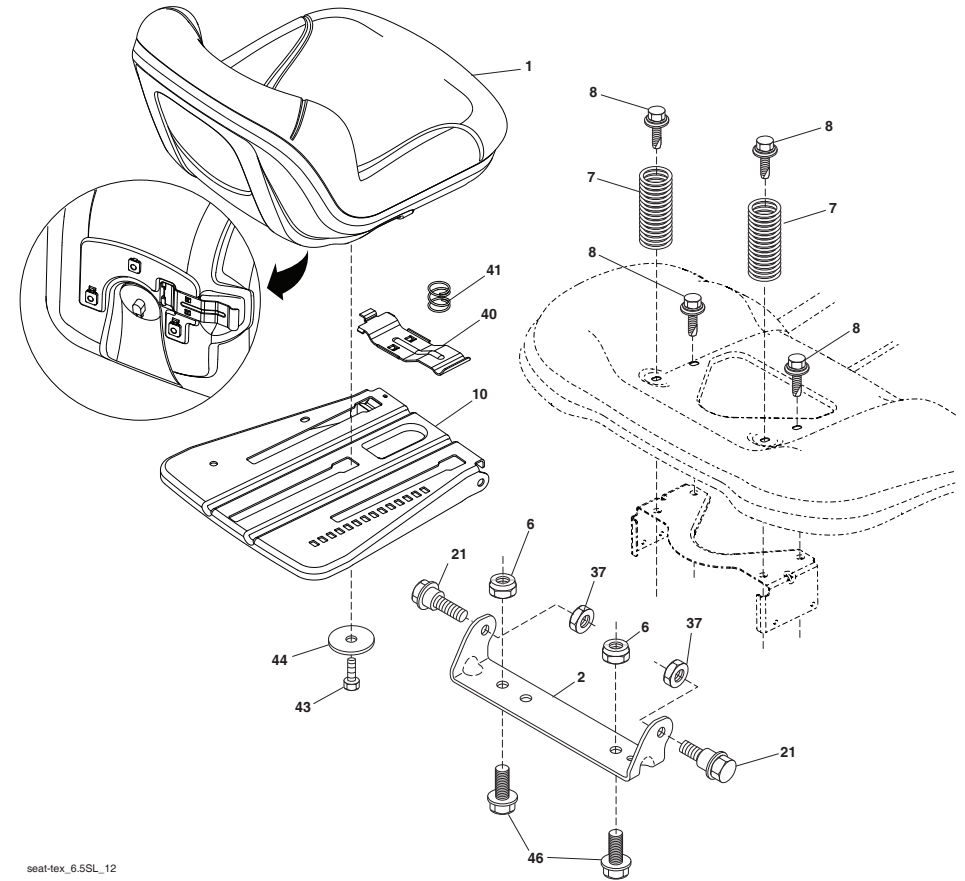
The gross power rating for individual gas engine models is labeled in accordance with SAE (Society of Automotive Engineers) code J1940 (Small Engine Power & Torque Rating Procedure), and rating performance has been obtained and corrected in accordance with SAE J1995 (Revision 2002-05). Torque values are derived at 3060 RPM; horsepower values are derived at 3600 RPM. Actual gross engine power will be lower and is affected by, among other things, ambient operating conditions and engine-to-engine variability. Given both the wide array of products on which engines are placed and the variety of environmental issues applicable to operating the equipment, the gas engine will not develop the rated gross power when used in a given piece of power equipment (actual "on-site" or net power). This difference is due to a variety of factors including, but not limited to, accessories (air cleaner, exhaust, charging, cooling, carburetor, fuel pump, etc.), application limitations, ambient operating conditions (temperature, humidity, altitude), and engine-to-engine variability. Due to manufacturing and capacity limitations, Briggs & Stratton may substitute an engine of higher rated power for this Series engine.

**TRACTOR -- MODEL NUMBER 917.273941**  
**STEERING ASSEMBLY**



steering-tex\_STDSRR\_65

**TRACTOR -- MODEL NUMBER 917.273941**  
**SEAT ASSEMBLY**



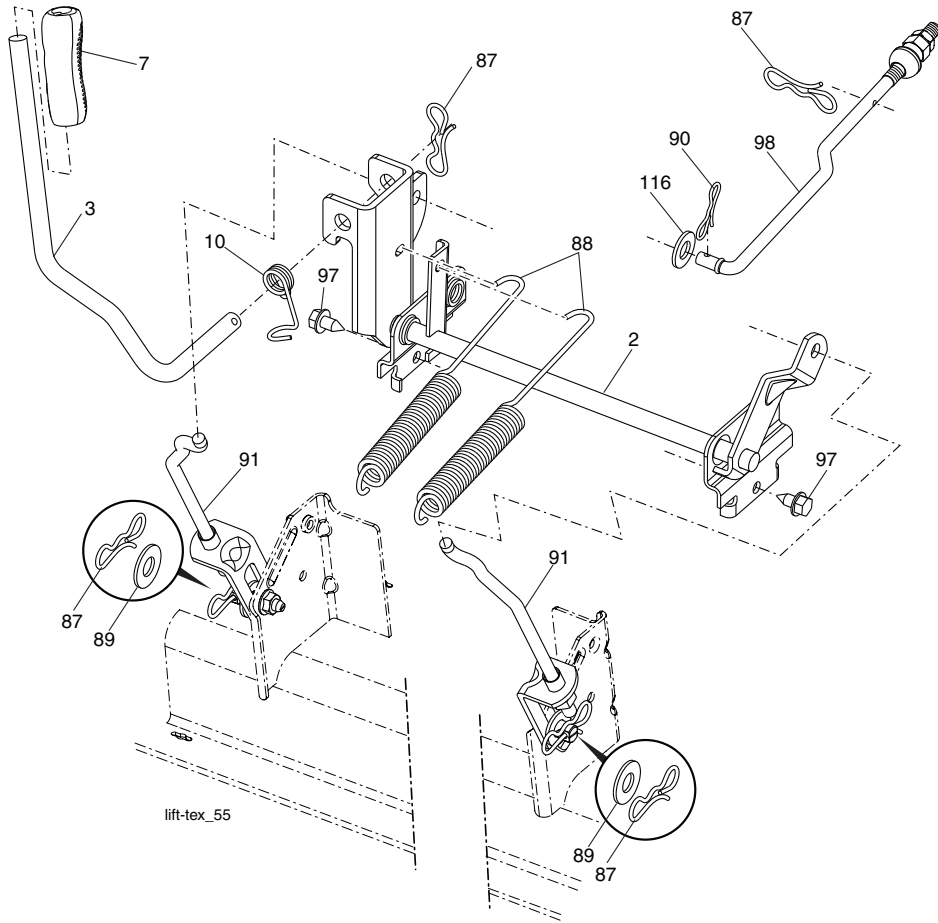
seat-tex\_6.5SL\_12

KEY PART NO.	NO.	DESCRIPTION
1	586507601	Seat
2	180166	Bracket Pivot Fender
6	73800600	Nut, Lock w/Ins. 3/8-16 unc
7	589483501	Spring, Seat Cprsn
8	171877	Bolt 5/16-18 unc x 3/4 w/Sems
10	196977	Pan, Seat
21	587907801	Bolt, Shoulder 5/16-18 x 5/8
37	73800500	Nut, Lock 5/16-18 unc

KEY PART NO.	NO.	DESCRIPTION
40	197661	Handle Slide Seat
41	198200	Spring Latch Seat
43	74760612	Bolt 3/8-16 unc x 3/4
44	19133812	Washer 13/32 x 2-3/8 x 12 Ga.
46	588090401	Bolt 3/8-16 x 1 1.25 OD

**NOTE:** All component dimensions given in U.S. inches  
 1 inch = 25.4 mm

**TRACTOR - - MODEL NUMBER 917.273941**  
**LIFT ASSEMBLY**



KEY PART NO.	PART NO.	DESCRIPTION
2	422027	Shaft Asm., Lift
3	426896	Lever Asm., Lift RH
7	445060X428	Grip, Lever
10	196314	Spring Torsion
87	194209	Pin Cotter 7/16 Bow Tie Lock
88	410710	Spring Lift Assist
89	19191912	Washer Clear Zinc
90	194208	Pin Cotter 5/16 Bow Tie Lock

KEY PART NO.	PART NO.	DESCRIPTION
91	403407	Link Lift Susp. Mower Rear
97	17000612	Screw 3/8-16 x .75 R.Z
98	195264	Link Lift Susp. Front Mower
116	19151516	Washer 15/32 x 15/16 x 16 Ga.

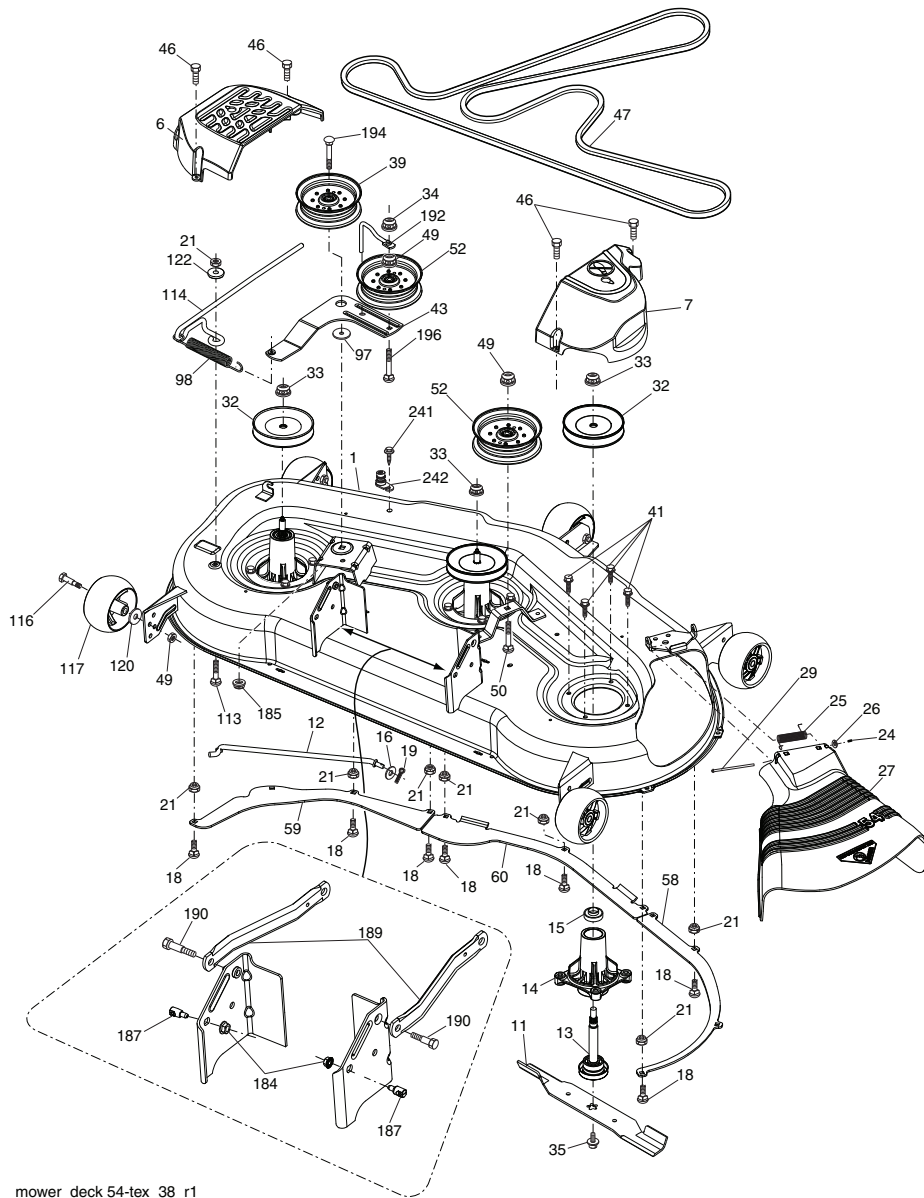
**NOTE:** All component dimensions given in U.S. inches  
 1 inch = 25.4 mm

**TRACTOR - - MODEL NUMBER 917.273941**  
**STEERING ASSEMBLY**

KEY PART NO.	PART NO.	DESCRIPTION
1	414851X428	Wheel, Steering
2	195968	Axle Cast
4	403087	Spindle Asm., LH
5	403088	Spindle Asm., RH
6	6266H	Washer Thrust 0.75 x 1.23
7	121748X	Washer 25/32 x 1-5/8 x 16 Ga.
8	12000029	Ring, Clip #T5304-75
9	184946X667	Cap, Spindle
13	121749X	Washer 25/32 x 1-1/4 x 16 Ga.
14	10040600	Washer Lock 3/8
15	73540600	Nut, Crown Lock 3/8-24 unf
16	587016002	Shaft Steering
19	194729	Plate Steering
21	586840201	Adapter, Wheel Steering Spind Alum
22	585029802	Bearing Shaft Steer Low
26	414852X428	Insert, Wheel Steering
27	19211616	Washer 21/32 x 1 x 16 Ga.
28	17000612	Screw 3/8-16 x 3/4
35	194732	Gear, Sector Plate
45	587016401	Washer 3/8 ID 2-3/8OD 12 Ga. PLTD
50	73900600	Nut Lock Flg. 3/8-16 unc
53	188967	Washer Hardened .793 x 1.637 x .060
57	197246	Bracket Upstop
58	194747	Bolt Shoulder Sector Pivot CFM
59	194748	Washer Thrust Sector Steering
60	73971000	Nut Flange Lock 5/8-11
61	194740	Draglink, LH
62	194741	Draglink, RH
63	17000512	Screw 5/16-18 x 3/4
64	199849	Retainer Clip Spring Steering
66	71020748	Bolt Hex Fghd 7/16-14 x 3 Serr
67	194737	Bushing PM Front Axle
68	73900700	Nut Lock Flange 7/16-14 Gr. 5
69	199162	Washer 1.5 x .505 x .118
70	585338801	Bracket Deck Susp. Front
75	580683701	Pinion
76	580683601	Screw Head Sock
122	444962	Cap Gear Sector

**NOTE:** All component dimensions given in U.S. inches  
 1 inch = 25.4 mm

**MOWER DECK** TRACTOR - - MODEL NUMBER 917.273941



mower\_deck 54-tex\_38\_r1

**MOWER DECK** TRACTOR - - MODEL NUMBER 917.273941

KEY PART NO.	NO.	DESCRIPTION
1	195632	Deck Weldment Mower
6	196066	Cover Mandrel LH
7	197181	Cover Mandrel RH
11	187256	Blade Bagging
--	187255	Blade Mulching
12	404851	Rod Anti Sway
13	587256401	Shaft Asm. w/Lower Bearing
14	187281	Housing, Mandrel
15	585323901	Bearing, Ball, Mandrel
16	19131312	Washer 13/32 x 13/16 x 12 Ga.
18	72140505	Bolt RdHd 5/16-18 unc x 5/8
19	194208	Pin Cotter 5/16 Bow Tie Lock
21	73680500	Nut, Crownlock 5/16-18 unc
24	105304X	Cap Sleeve
25	178102	Spring, Torsion
26	110452X	Nut, Push
27	187257X428	Deflector Shield
29	131491	Rod, Hinge
32	153535	Pulley, Mandrel
33	400234	Nut, Flg. Top Lock
34	73680600	Nut \
35	584309301	Screw Sems 7/16-20 x 1 Hex Head
39	197380	Pulley, Idler
41	584953901	Bolt Hex Wshr
43	196065	Arm, Idler
46	137729	Screw, Thdroll. 1/4-20 x 5/8
47	587686701	V-Belt, Mower
49	73900600	Nut, Lock Flg. 3/8-16 unc
50	72110616	Bolt, Carr. 3/8-16 x 2
52	197379	Pulley Idler
58	187342	Baffle Right
59	187344	Baffle Left
60	187607	Baffle Center
97	178515	Washer Hardened
98	196105	Spring Drive
113	72110508	Bolt Rdhd Sqnk 5/16-18 x 3/4
114	187556	Rod Tension Relief
116	193406	Bolt, Shoulder
117	174873	Gauge Wheel
120	19132012	Washer 13/32 x 1-1/4 x 12 Ga.
122	187557	Bushing Tension Relief
184	73900500	Nut Lock Flange 5/16-18
185	73900700	Nut Lock Flange 7/16-14 Gr. 5
187	195161	Stud Fastener w/"D" Anti-Rotation
189	195185	Arm Susp. Mower Rear
190	196539	Bolt Shoulder
192	198468	Keeper Belt Idler
194	74490736	Bolt Carr Sqnk 3/8-16 x 2-1/4
196	72140620	Bolt RdHd 3/8-16 unc x 2-1/2 Gr. 5
241	152927	Screw
242	415598	Washout Port
--	587125401	Mandrel Assembly (Includes housing (key #14), shaft assembly (key #13), bearing (key #15) and nut (key #33) only - pulley/washer and blade bolt/washers not included)
--	416405	Coupling Quick Connect
--	418076	Replacement Mower, Complete

**NOTE:** All component dimensions given in U.S. inches  
1 inch = 25.4 mm

## Free Manuals Download Website

<http://myh66.com>

<http://usermanuals.us>

<http://www.somanuals.com>

<http://www.4manuals.cc>

<http://www.manual-lib.com>

<http://www.404manual.com>

<http://www.luxmanual.com>

<http://aubethermostatmanual.com>

Golf course search by state

<http://golfingnear.com>

Email search by domain

<http://emailbydomain.com>

Auto manuals search

<http://auto.somanuals.com>

TV manuals search

<http://tv.somanuals.com>