

Owner's Manual



ROTARY LAWN MOWER

675 Series Briggs & Stratton Engine

Power-Propelled

22" Multi-Cut

Model No.

917.370432



• Español, p. 21

CAUTION:

Read and follow all
Safety Rules and Instructions
before operating this equipment

Sears Brands Management Corp., Hoffman Estates, IL 60179 U.S.A.
Visit our Craftsman website: www.craftsman.com

TABLE OF CONTENTS

Warranty	2	Maintenance	13-16
Safety Rules	2-4	Service and Adjustments	17-18
Product Specifications	4	Storage	18-19
Assembly / Pre-Operation	6-7	Troubleshooting	19-20
Operation	8-12	Repair Parts	40-49
Maintenance Schedule	13	Sears Service	Back Cover

WARRANTY

CRAFTSMAN 2-YEAR FULL WARRANTY

For TWO YEARS from the date of purchase, this product is warranted against any defects in material or workmanship. Defective product will receive free repair or replacement if repair is unavailable.

For warranty coverage details to obtain free repair or replacement, visit the web page: www.craftsman.com/warranty

This warranty covers ONLY defects in material and workmanship.

Warranty coverage does NOT include:

- Expendable parts that can wear out from normal use within the warranty period, such as blades, blade adapters, belts, filters or spark plugs.
- Product damage resulting from user attempts at product modification or repair or caused by product accessories.
- Repairs necessary because of accident or failure to operate or maintain this product according to all supplied instructions.
- Preventative maintenance, or repairs necessary due to improper fuel mixture, contaminated or stale fuel.

This warranty is void if this product is ever used while providing commercial services or if rented to another person.

This warranty gives you specific legal rights, and you may also have other rights which vary from state to state.

Sears Brands Management Corporation, Hoffman Estates, IL 60179

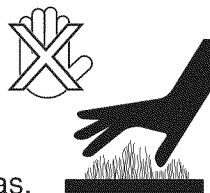
SAFETY RULES

IMPORTANT: This cutting machine is capable of amputating hands and feet and throwing objects. Failure to observe the following safety instructions could result in serious injury or death.

▲ Look for this symbol to point out important safety precautions. It means **CAUTION!!! BECOME ALERT!!! YOUR SAFETY IS INVOLVED.**

▲ WARNING: In order to prevent accidental starting when setting up, transporting, adjusting or making repairs, always disconnect spark plug wire and place wire where it cannot come in contact with plug.

▲ CAUTION: Muffler and other engine parts become extremely hot during operation and remain hot after engine has stopped. To avoid severe burns on contact, stay away from these areas.



▲WARNING: Engine exhaust, some of its constituents, and certain vehicle components contain or emit chemicals known to the State of California to cause cancer and birth defects or other reproductive harm.

▲WARNING: Battery posts, terminals and related accessories contain lead and lead compounds, chemicals known to the State of California to cause cancer and birth defects or other reproductive harm. **Wash hands after handling.**

▲WARNING: This lawn mower is equipped with an internal combustion engine and should not be used on or near any unimproved forest-covered, brush-covered or grass-covered land unless the engine's exhaust system is equipped with a spark arrester meeting applicable local or state laws (if any). If a spark arrester is used, it should be maintained in effective working order by the operator.

In the state of California the above is required by law (Section 4442 of the California Public Resources Code). Other states may have similar laws. Federal laws apply on federal lands. A spark arrester for the muffler is available through your nearest Sears Parts & Repair Center (See the REPAIR PARTS section of this manual).

I. GENERAL OPERATION

- Read, understand, and follow all instructions on the machine and in the manual(s) before starting. Be thoroughly familiar with the controls and the proper use of the machine before starting.
- Do not put hands or feet near or under rotating parts. Keep clear of the discharge opening at all times.
- Only allow responsible individuals, who are familiar with the instructions, to operate the machine.
- Clear the area of objects such as rocks, toys, wire, bones, sticks, etc., which could be picked up and thrown by blade.
- Be sure the area is clear of other people before mowing. Stop machine if anyone enters the area.
- Do not operate the mower when barefoot or wearing open sandals. Always wear substantial foot wear.
- Do not pull mower backwards unless absolutely necessary. Always look down and behind before and while moving backwards.
- Never direct discharged material toward anyone. Avoid discharging material against a wall or obstruction. Material may ricochet back toward the operator. Stop blade when crossing gravel surfaces.
- Do not operate the mower without proper guards, plates, grass catcher or other safety protective devices in place.
- See manufacturer's instructions for proper operation and installation of accessories. Only use accessories approved by the manufacturer.
- Stop the blade(s) when crossing gravel drives, walks, or roads.
- Stop the engine (motor) whenever you leave the equipment, before cleaning the mower or unclogging the chute.
- Shut the engine (motor) off and wait until the blade comes to complete stop before removing grass catcher.
- Mow only in daylight or good artificial light.
- Do not operate the machine while under the influence of alcohol or drugs.
- Never operate machine in wet grass. Always be sure of your footing: keep a firm hold on the handle; walk, never run.

- Disengage the self-propelled mechanism or drive clutch on mowers so equipped before starting the engine.
- If the equipment should start to vibrate abnormally, stop the engine (motor) and check immediately for the cause. Vibration is generally a warning of trouble.
- Always wear safety goggles or safety glasses with side shields when operating mower.

II. SLOPE OPERATION

Slopes are a major factor related to slip & fall accidents which can result in severe injury. All slopes require extra caution. If you feel uneasy on a slope, do not mow it.

DO:

- Mow across the face of slopes: never up and down. Exercise extreme caution when changing direction on slopes.
- Remove obstacles such as rocks, tree limbs, etc.
- Watch for holes, ruts, or bumps. Tall grass can hide obstacles.

DO NOT:

- Do not trim near drop-offs, ditches or embankments. The operator could lose footing or balance.
- Do not trim excessively steep slopes.
- Do not mow on wet grass. Reduced footing could cause slipping.

III. CHILDREN

Tragic accidents can occur if the operator is not alert to the presence of children. Children are often attracted to the machine and the mowing activity. *Never* assume that children will remain where you last saw them.

- Keep children out of the trimming area and under the watchful care of another responsible adult.
- Be alert and turn machine off if children enter the area.
- Before and while walking backwards, look behind and *down* for small children.
- Never allow children to operate the machine.
- Use extra care when approaching blind corners, shrubs, trees, or other objects that may obscure vision.

▲WARNING: CHILDREN CAN BE INJURED BY THIS EQUIPMENT. The American Academy of Pediatrics recommends that children be a minimum of 12 year of age before operating a pedestrian controlled lawn mower and a minimum of 16 years of age before operating a riding lawn mower.

- When loading or unloading this machine, do not exceed the maximum recommended operation angle of 15°.
- Wear proper Personal Protective Equipment (PPE) while operating this machine, including (at a minimum) sturdy footwear, eye protection, and hearing protection. Do not mow in shorts or open toed footwear.

Always let someone know you are outside mowing.

IV. SAFE HANDLING OF GASOLINE

Use extreme care in handling gasoline. Gasoline is extremely flammable and the vapors are explosive.

- Extinguish all cigarettes, cigars, pipes and other sources of ignition.
- Use only an approved container.
- Never remove gas cap or add fuel with the engine running. Allow engine to cool before refueling.
- Never refuel the machine indoors.
- Never store the machine or fuel container where there is an open flame, spark or pilot light such as a water heater or on other appliances.
- Never fill containers inside a vehicle, on a truck or trailer bed with a plastic liner. Always place containers on the ground away from your vehicle before filling.
- Remove gas-powered equipment from the truck or trailer and refuel it on the ground. If this is not possible, then refuel such equipment with a portable container, rather than from a gasoline dispenser nozzle.
- Keep the nozzle in contact with the rim of the fuel tank or container opening at all times until fueling is complete. Do not use a nozzle lock-open device.

- If fuel is spilled on clothing, change clothing immediately.
- Never overfill fuel tank. Replace gas cap and tighten securely.

V. GENERAL SERVICE

- Never run a machine inside a closed area.
- Never make adjustments or repairs with the engine (motor) running. Disconnect the spark plug wire, and keep the wire away from the plug to prevent accidental starting.
- Keep nuts and bolts, especially blade attachment bolts, tight and keep equipment in good condition.
- Never tamper with safety devices. Check their proper operation regularly.
- Keep machine free of grass, leaves, or other debris build-up. Clean oil or fuel spillage. Allow machine to cool before storing.
- Stop and inspect the equipment if you strike an object. Repair, if necessary, before restarting.
- Never attempt to make wheel height adjustments while the engine is running.
- Grass catcher components are subject to wear, damage, and deterioration, which could expose moving parts or allow objects to be thrown. Frequently check components and replace with manufacturer's recommended parts, when necessary.
- Mower blades are sharp and can cut. Wrap the blade(s) or wear gloves, and use extra caution when servicing them.
- Do not change the engine governor setting or overspeed the engine.
- Maintain or replace safety and instruction labels, as necessary.

PRODUCT SPECIFICATIONS

Serial Number:

Date of Purchase:

Gasoline Capacity / Type: 1.6 Quarts (Unleaded Regular)

Oil Type (API SG–SL): SAE 30 (above 32°F); SAE 5W-30 (below 32°F)

Oil Capacity: 18 Ounces

Spark Plug (Gap: .020") Champion RJ2YXLE (or 33459 for MRS)

Blade Bolt Torque: 35-40 ft. lbs.

- The model and serial numbers will be found on a decal on the rear of the lawn mower housing. Record both serial number and date of purchase in space provided above.

Repair Protection Agreements

Congratulations on making a smart purchase. Your new Craftsman® product is designed and manufactured for years of dependable operation. But like all products, it may require repair from time to time. That's when having a Repair Protection Agreement can save you money and aggravation.

Purchase a Repair Protection Agreement now and protect yourself from unexpected hassle and expense.

Here's what's included in the Agreement:

- **Expert service** by our 12,000 professional repair specialists.
- **Unlimited service and no charge** for parts and labor on all covered repairs.
- **Product replacement** if your covered product can't be fixed.
- **Discount of 25%** from regular price of service and service-related parts not covered by the agreement; also, 25% off regular price of preventive maintenance check.

- **Fast help by phone** – phone support from a Sears representative on products requiring in-home repair, plus convenient repair scheduling.

Once you purchase the Agreement, a simple phone call is all that it takes for you to schedule service. You can call anytime day or night, or schedule a service appointment online.

Sears has over 12,000 professional repair specialists, who have access to over 4.5 million quality parts and accessories.

That's the kind of professionalism you can count on to help prolong the life of your new purchase for years to come. Purchase your Repair Protection Agreement today!

Some limitations and exclusions apply. For prices and additional information call 1-800-827-6655.


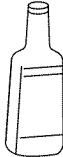
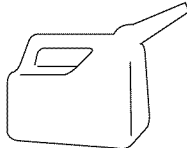
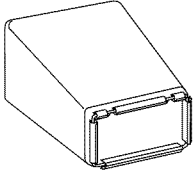
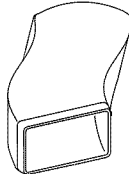
Sears Installation Service

For Sears professional installation of home appliances, garage door openers, water heaters, and other major home items, in the U.S.A. call 1-800-4-MY-HOME®.

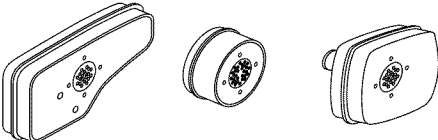
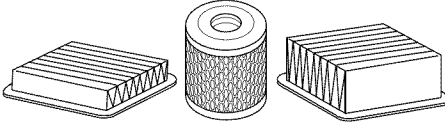

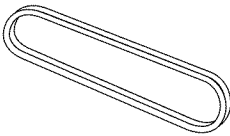
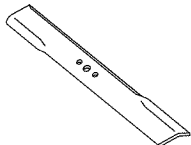
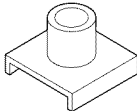


ACCESSORIES

These accessories were available when this lawn mower was produced. **They are not shipped with your mower.** They are also available at most Sears retail outlets and service centers. **SOME OF THESE ACCESSORIES MAY NOT APPLY TO YOUR LAWN MOWER.**

LAWN MOWER PERFORMANCE

 <p>CLIPPING DEFLECTORS FOR REAR DISCHARGE LAWN MOWERS</p>	 <p>STABILIZER</p>	 <p>GAS CANS</p>
 <p>GRASS CATCHERS FOR REAR DISCHARGE LAWN MOWERS</p>	 <p>GRASS CATCHERS FOR SIDE DISCHARGE LAWN MOWERS</p>	

LAWN MOWER MAINTENANCE

 <p>MUFFLERS</p>		 <p>AIR FILTERS</p>		 <p>SPARK PLUGS</p>
 <p>BELTS</p>	 <p>BLADES</p>	 <p>BLADE ADAPTERS</p>	 <p>WHEELS</p>	 <p>ENGINE OIL</p>

ASSEMBLY / PRE-OPERATION

Read these instructions and this manual in its entirety before you attempt to assemble or operate your new lawn mower.

IMPORTANT: This lawn mower is shipped WITHOUT OIL OR GASOLINE in the engine.

Your new lawn mower has been assembled at the factory with the exception of those parts left unassembled for shipping purposes. To ensure safe and proper operation of your lawn mower, all parts and hardware you assemble must be tightened securely. Use the correct tools as necessary to ensure proper tightness. All parts such as nuts, washers, bolts, etc., necessary to complete the assembly have been placed in the parts bag.

TO REMOVE MOWER FROM CARTON

1. Remove loose parts included with mower.
2. Cut down two end corners of carton and lay end panel down flat.
3. Remove all packing materials except padding between upper and lower handle and padding holding operator presence control bar to upper handle.
4. Roll lawn mower out of carton and check carton thoroughly for additional loose parts.

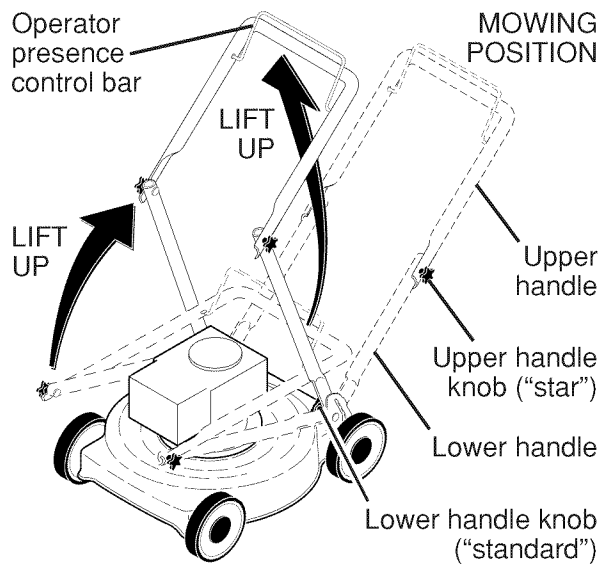
HOW TO SET UP YOUR LAWN MOWER

TO UNFOLD HANDLE

IMPORTANT: Unfold handle carefully so as not to pinch or damage control cables.

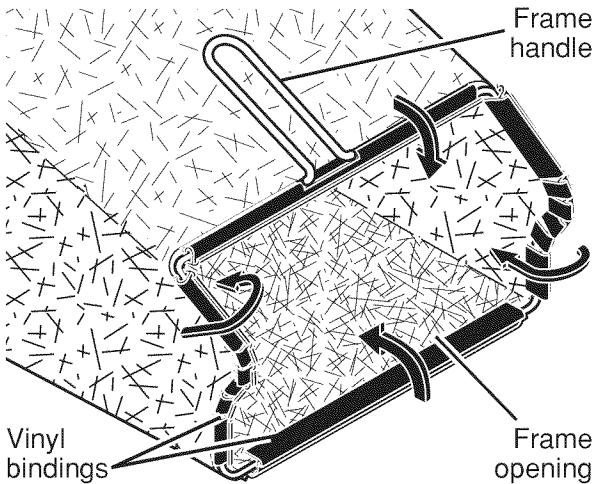
1. Raise lower handle section to operating position and align holes in lower handle with holes in handle brackets.
2. Insert handle bolts through lower handles and handle brackets; secure with lower ("standard") knobs.
3. Remove protective padding, raise upper handle section into place on lower handle and tighten both upper ("star") knobs.
4. Remove any packing material from around control bar.

Your lawn mower handle can be adjusted for your mowing comfort. Refer to "ADJUST HANDLE" in the Service and Adjustments section of this manual.



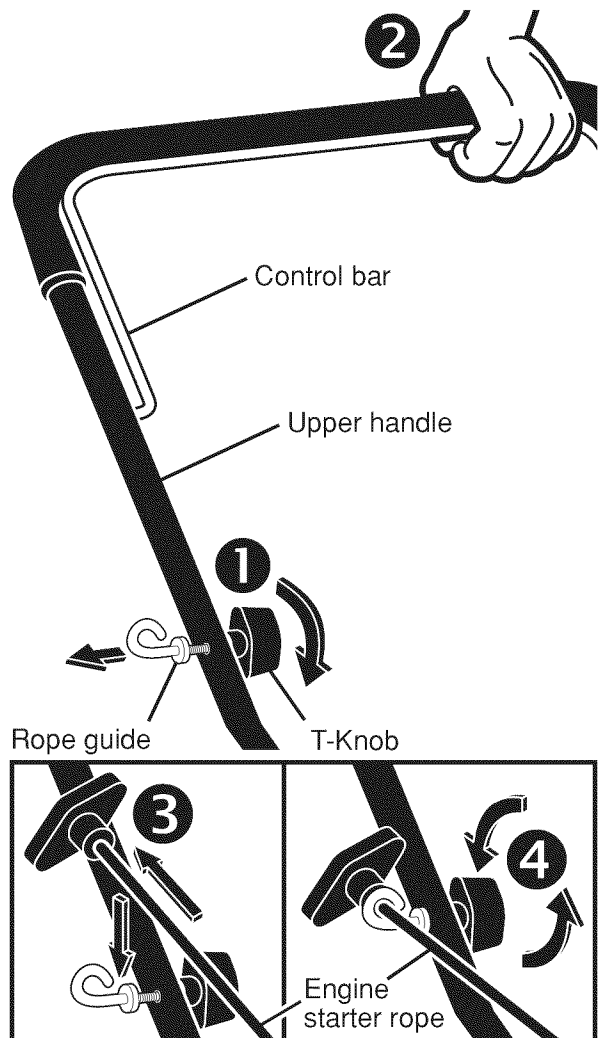
TO ASSEMBLE GRASS CATCHER

1. Put grass catcher frame into grass bag with rigid part of bag on the bottom. Make sure the frame handle is outside of the bag top.
 2. Slip vinyl bindings over frame.
- NOTE:** If vinyl bindings are too stiff, hold them in warm water for a few minutes. If bag gets wet, let it dry before using.



INSTALL STARTER ROPE (MODELS EQUIPPED WITH T-KNOB)

1. Loosen T-knob.
2. Hold control bar against upper handle.
3. Slowly pull engine starter rope out until rope will slip into loop of rope guide.
4. Tighten T-knob.



TO INSTALL ATTACHMENTS

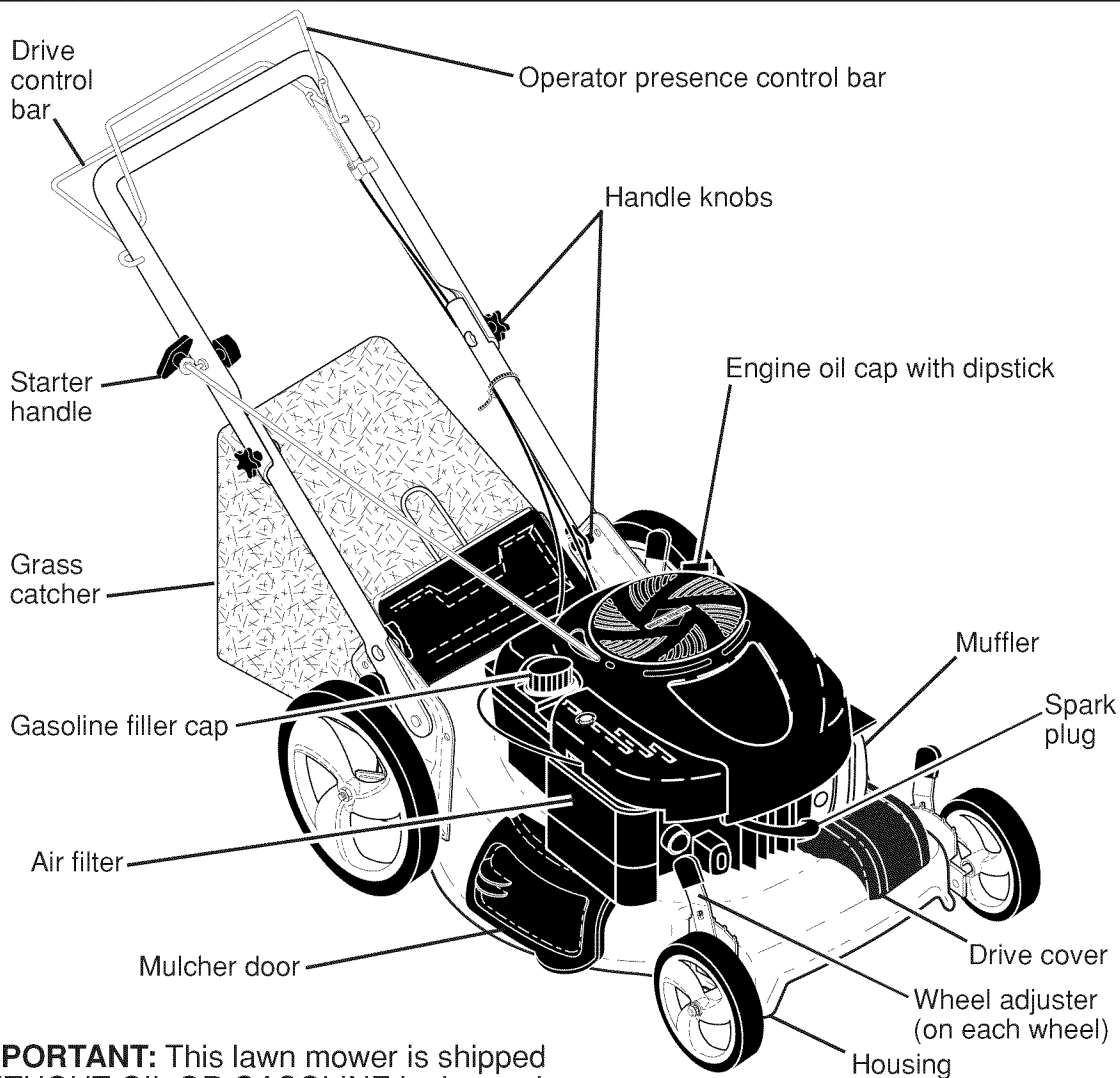
Your lawn mower was shipped ready to be used as a mulcher. To convert mower to bagging or discharging, see "TO CONVERT MOWER" in the Operation section of this manual.

OPERATION

KNOW YOUR LAWN MOWER

READ THIS OWNER'S MANUAL AND ALL SAFETY RULES BEFORE OPERATING YOUR LAWN MOWER. Compare the illustrations with your lawn mower to familiarize yourself with the location of various controls and adjustments. Save this manual for future reference.

These symbols may appear on your lawn mower or in literature supplied with the product. Learn and understand their meaning.



IMPORTANT: This lawn mower is shipped WITHOUT OIL OR GASOLINE in the engine.

NOTE: Gasoline containing up to 10% ethanol (E10) is acceptable for use in this machine. The use of any gasoline exceeding 10% ethanol (E10) will void the product warranty.

MEETS CPSC SAFETY REQUIREMENTS

Sears rotary walk-behind power lawn mowers conform to the safety standards of the American National Standards Institute and the U.S. Consumer Product Safety Commission. **⚠WARNING:** The blade turns when the engine is running.

Operator presence control bar – must be held down to the handle to start the engine. Release to stop the engine.

Starter handle – used for starting engine.

Mulcher door – allows conversion to discharging or bagging operation.

Drive control bar – used to engage power-propelled forward motion of mower.



The operation of any lawn mower can result in foreign objects thrown into the eyes, which can result in severe eye damage. Always wear safety glasses or eye shields while operating your lawn mower or performing any adjustments or repairs. We recommend a standard safety glasses or wide vision safety mask worn over spectacles.

HOW TO USE YOUR LAWN MOWER

ENGINE SPEED

The engine speed was set at the factory for optimum performance. Speed is not adjustable.

ENGINE ZONE CONTROL

CAUTION: Federal regulations require an engine control to be installed on this lawn mower in order to minimize the risk of blade contact injury. Do not under any circumstances attempt to defeat the function of the operator control. The blade turns when the engine is running.

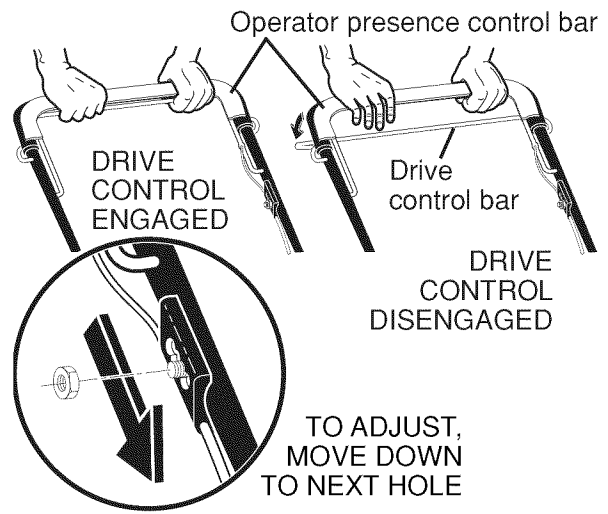
- Your lawn mower is equipped with an operator presence control bar which requires the operator to be positioned behind the lawn mower handle to start and operate the lawn mower.

DRIVE CONTROL

- Self-propelling is controlled by holding the operator presence control bar down to the handle and pulling the drive control bar up to the handle. The closer to the handle the bar is pulled, the faster the unit will travel.
- Forward motion will stop when either the operator presence control bar or drive control bar are released. To stop forward motion without stopping engine, release the drive control bar only. Hold operator presence control bar down against handle to continue mowing without self-propelling.

NOTE: If after releasing the drive control the mower will not roll backwards, push the mower forward slightly to disengage drive wheels.

- To keep drive control engaged when turning corners, push down on the handle to lift the front wheels off the ground while turning lawn mower.



DRIVE CONTROL ADJUSTMENT

Over time, the drive control system may become "loose", resulting in decreased speed. There are holes in the drive control housing to increase tension on the drive cable. Proceed as follows:

- Turn unit off and disconnect spark plug wire from spark plug.
- Loosen nut, move drive control housing down handle to the next hole and retighten nut.
- Operate mower to test drive speed.
- If condition fails to improve after the above steps (forward speed remains the same), your drive belt is worn and should be replaced.

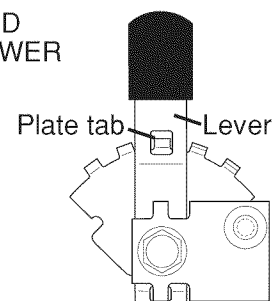
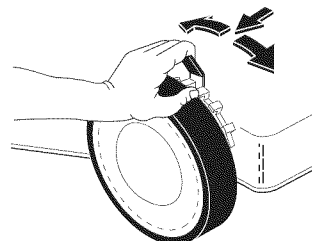
TO ADJUST CUTTING HEIGHT

Raise wheels for low cut and lower wheels for high cut, adjust cutting height to suit your requirements. Medium position is best for most lawns.

- To change cutting height, squeeze adjuster lever toward wheel. Move wheel up or down to suit your requirements. Be sure all wheels are in the same setting.

NOTE: Adjuster is properly positioned when plate tab inserts into hole in lever. Also, 9-position adjusters (if so equipped) allow lever to be positioned between the plate tabs.

ROTATE LEVER TOWARD ENGINE TO LOWER MOWER



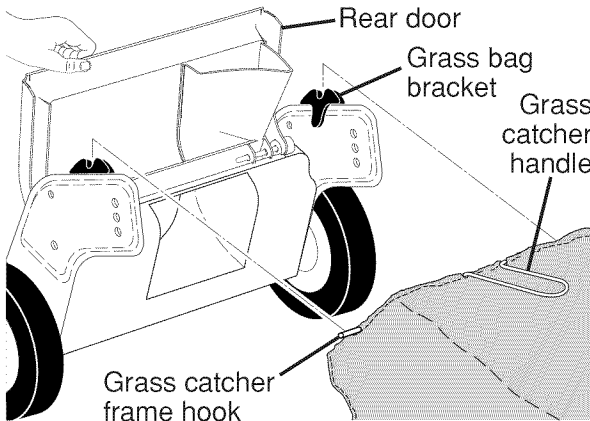
ROTATE LEVER AWAY FROM ENGINE
9 TO RAISE MOWER

TO CONVERT MOWER

Your lawn mower was shipped ready to be used as a mulcher. To convert to bagging or discharging:

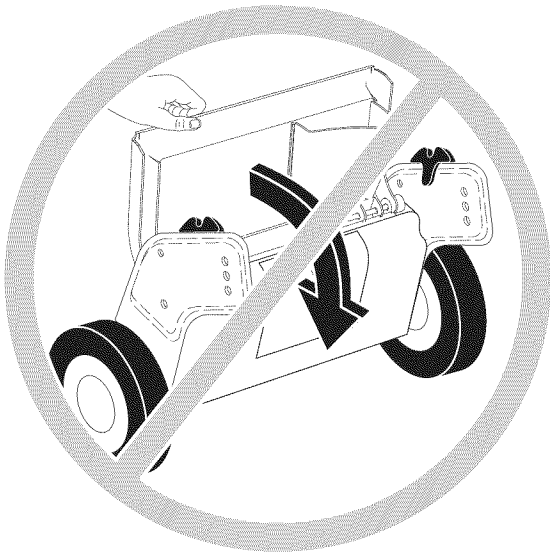
REAR BAGGING

- Lift rear door of the lawn mower and place the grass catcher frame hooks onto the grass bag brackets.
- To convert to mulching or discharging operation, remove grass catcher and close rear door.



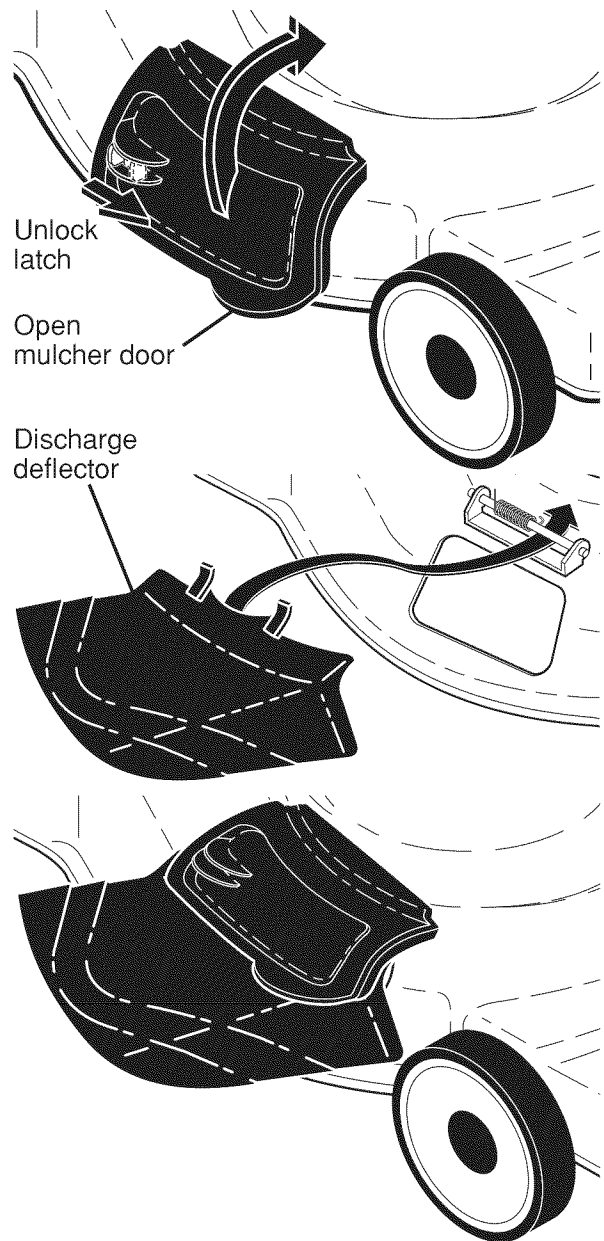
NOTE: Rear door will remain open until operator presence control bar is held down to the handle.

CAUTION: Do NOT force rear door to close. Serious damage to your mower could result.



SIDE DISCHARGING

- Rear door must be closed.
- Open mulcher door and install discharge deflector under door as shown.
- Mower is now ready for discharging operation.
- To convert to mulching or bagging operation, discharge deflector must be removed and mulcher door must be closed and locked.



SIMPLE STEPS TO REMEMBER WHEN CONVERTING YOUR LAWN MOWER

FOR MULCHING -

1. Rear door closed.
2. Mulcher door closed and locked.

FOR REAR BAGGING -

1. Grass catcher installed.
2. Mulcher door closed and locked.

FOR SIDE DISCHARGING -

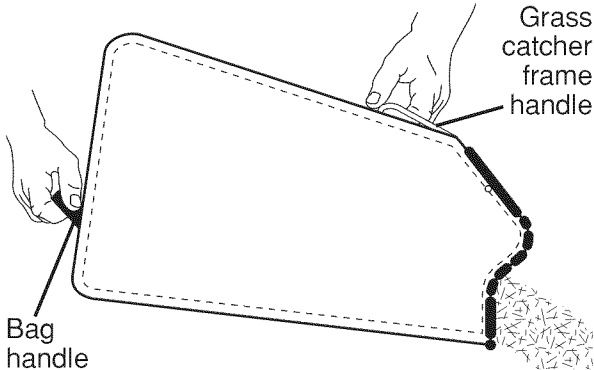
1. Rear door closed.
2. Discharge deflector installed.

CAUTION: Do not run your lawn mower without rear door closed or approved grass catcher in place. Never attempt to operate the lawn mower with the rear door removed or propped open.

TO EMPTY GRASS CATCHER

1. Lift up on grass catcher using the frame handle.
2. Remove grass catcher with clippings from under lawn mower handle.
3. Empty clippings from bag using both frame handle and bag handle.

NOTE: Do not drag the bag when emptying; it will cause unnecessary wear.



BEFORE STARTING ENGINE

ADD OIL

Your lawnmower is shipped without oil in the engine. For type and grade of oil to use, see "ENGINE" in the Maintenance section of this manual.

CAUTION: DO NOT overfill engine with oil, or it will smoke heavily from the muffler on startup.

1. Be sure lawnmower is level.
2. Remove oil dipstick from oil fill spout.
3. You receive a container of oil with the unit. Slowly pour the entire container down the oil fill spout into the engine.

NOTE: Initial oil fill requires only 18 oz. due to residual oil in engine from the manufacturer's 100% quality testing. When changing oil you may need 20 oz.

4. Insert and tighten dipstick.

IMPORTANT:

- Check oil level before each use. Add oil if needed. Fill to full line on dipstick.
- Change the oil after every 25 hours of operation or each season. You may need to change the oil more often under dusty, dirty conditions. See "TO CHANGE ENGINE OIL" in the Maintenance section of this manual.

ATTACH FUEL CAP CARTRIDGE

Your mower is equipped with a special *FRESH START™* fuel cap and continuous fuel preserver cartridge. See the information and instructions packed with the *FRESH START™* cartridge.

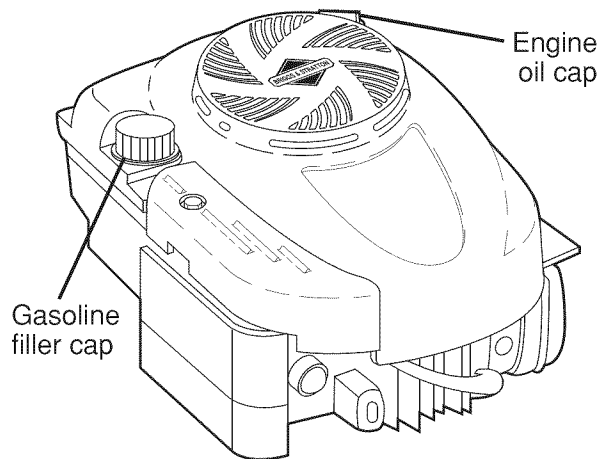
1. Snap cartridge into bottom of fuel cap.

NOTE: Do not remove the silver foil seal on the side of cartridge that snaps into fuel cap.

2. Grasp the white peel tab and pull to remove the entire seal.
3. Screw fuel cap onto fuel tank after filling tank with gasoline.

Replace cartridge when empty (about once a season). Check preserver level visually.

DANGER: Cartridge fluid is HARMFUL OR FATAL IF SWALLOWED. Avoid contact to eyes, skin, or clothing. Do not take internally. Do not inhale fluid vapor. Keep out of reach of children. If swallowed, call a physician immediately.



ADD GASOLINE

- Fill fuel tank to bottom of tank filler neck. Do not overfill. Use fresh, clean, regular unleaded gasoline with a minimum of 87 octane. Do not mix oil with gasoline. Purchase fuel in quantities that can be used within 30 days to assure fuel freshness.

CAUTION: Wipe off any spilled oil or fuel. Do not store, spill or use gasoline near an open flame.

CAUTION: Alcohol blended fuels (called gasohol or using ethanol or methanol) can attract moisture which leads to separation and formation of acids during storage. Acidic gas can damage the fuel system of an engine while in storage. To avoid engine problems, the fuel system should be emptied before storage of 30 days or longer. Empty the gas tank, start the engine and let it run until the fuel lines and carburetor are empty. Use fresh fuel next season. See Storage Instructions for additional information. Never use engine or carburetor cleaner products in the fuel tank or permanent damage may occur.

TO STOP ENGINE

- To stop engine, release operator presence control bar.

TO START ENGINE

NOTE: Due to protective coatings on the engine, a small amount of smoke may be present during the initial use of the product and should be considered normal.

NOTE: Your engine is equipped with an automatic choke system. No priming or choking is required before starting.

- To start engine, hold operator presence control bar down to the handle and pull starter handle quickly. Do not allow starter rope to snap back.

MOWING TIPS

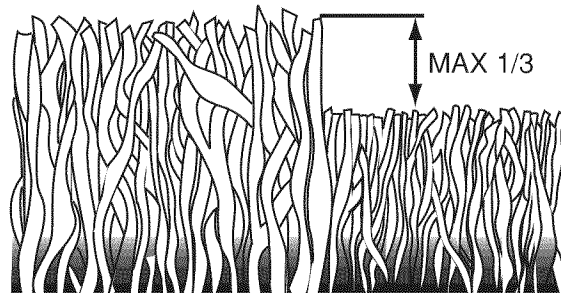
⚠ CAUTION: Do not use de-thatcher blade attachments on your mower. Such attachments are hazardous, will damage your mower and could void your warranty.

- Under certain conditions, such as very tall grass, it may be necessary to raise the height of cut to reduce pushing effort and to keep from overloading the engine and leaving clumps of grass clippings. It may also be necessary to reduce ground speed and/or run the lawn mower over the area a second time.
- For extremely heavy cutting, reduce the width of cut by overlapping previously cut path and mow slowly.
- For better grass bagging and most cutting conditions, the engine speed should be set in the FAST position.
- Pores in cloth grass catchers can become filled with dirt and dust with use and catchers will collect less grass. To prevent this, regularly hose catcher off with water and let dry before using.
- Keep top of engine around starter clear and clean of grass clippings and chaff. This will help engine air flow and extend engine life.

MULCHING MOWING TIPS

IMPORTANT: For best performance, keep mower housing free of built-up grass and trash. See “CLEANING” in the Maintenance section of this manual.

- The special mulching blade will recut the grass clippings many times and reduce them in size so that as they fall onto the lawn they will disperse into the grass and not be noticed. Also, the mulched grass will biodegrade quickly to provide nutrients for the lawn. Always mulch with your highest engine (blade) speed as this will provide the best recutting action of the blades.
- Avoid cutting your lawn when it is wet. Wet grass tends to form clumps and interferes with the mulching action. The best time to mow your lawn is the early afternoon. At this time the grass has dried, yet the newly cut area will not be exposed to direct sunlight.
- For best results, adjust the lawn mower cutting height so that the lawn mower cuts off only the top one-third of the grass blades. If the lawn is overgrown it will be necessary to raise the height of cut to reduce pushing effort and to keep from overloading the engine and leaving clumps of mulched grass. For extremely heavy grass, reduce your width of cut by overlapping previously cut path and mow slowly.



- Certain types of grass and grass conditions may require that an area be mulched a second time to completely hide the clippings. When doing a second cut, mow across (perpendicular) to the first cut path.
- Change your cutting pattern from week to week. Mow north to south one week then change to east to west the next week. This will help prevent matting and graining of the lawn.

MAINTENANCE

MAINTENANCE SCHEDULE		BEFORE EACH USE	AFTER EACH USE	EVERY 10 HOURS	EVERY 25 HOURS OR SEASON	EVERY 100 HOURS	BEFORE STORAGE
LAWN MOWER	Check for Loose Fasteners	✓					✓
	Clean / Inspect Grass Catcher *	✓	✓				✓
	Check Tires	✓					
	Check Drive Wheels ***	✓					
	Clean Lawn Mower ****		✓				✓
	Clean under Drive Cover ***			✓			
	Check Drive Belt / Pulleys ***				✓		
	Check / Sharpen / Replace Blade				✓ ₃		
	Lubrication				✓		
	Clean and Recharge Battery **				✓		✓ ₄
ENGINE	Check Engine Oil level	✓ ₅					
	Change Engine Oil				✓ _{1,2}		
	Clean Air Filter				✓ ₂		
	Inspect Muffler				✓		
	Replace Spark Plug					✓	
	Replace Air Filter Paper Cartridge					✓ ₂	
	Empty fuel system or add Stabilizer						✓

- * (if so equipped)
- ** Electric-Start mowers
- *** Power-Propelled mowers
- **** Use a scraper to clean under deck
- 1 - Change more often if operating under a heavy load or in high outdoor temperatures.
- 2 - Service more often if operating in dirty or dusty conditions.
- 3 - Replace blades more often when mowing in sandy soil.
- 4 - Charge 48 hours at end of season.
- 5 - And after each 5 hours of use.

GENERAL RECOMMENDATIONS

The warranty on this lawn mower does not cover items that have been subjected to operator abuse or negligence. To receive full value from the warranty, operator must maintain unit as instructed in this manual. Some adjustments will need to be made periodically to properly maintain your unit. At least once a season, check to see if you should make any of the adjustments described in the Service and Adjustments section of this manual.

- At least once a year, replace the spark plug, clean or replace air filter element and check blade for wear. A new spark plug and clean/new air filter element assure proper air-fuel mixture and help your engine run better and last longer.
- Follow the maintenance schedule in this manual.

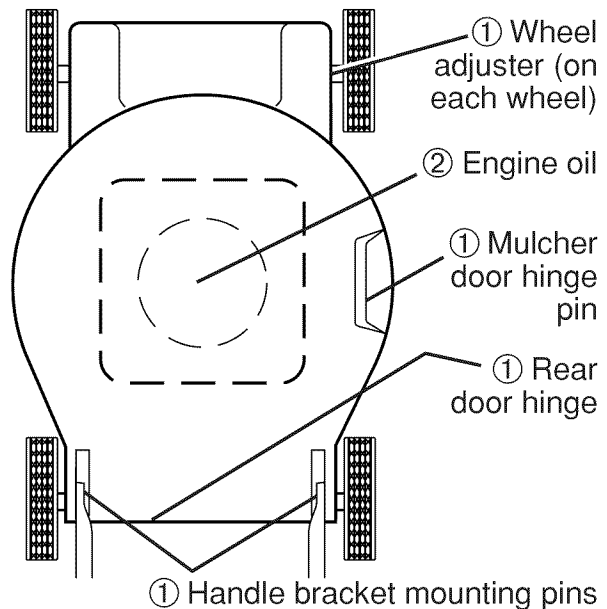
BEFORE EACH USE

- Check engine oil level.
- Check for loose fasteners.

LUBRICATION

Keep unit well lubricated (See "LUBRICATION CHART").

LUBRICATION CHART



- ① Spray lubricant
- ② See "ENGINE" in Maintenance section.

IMPORTANT: Do not oil or grease plastic wheel bearings. Viscous lubricants will attract dust and dirt that will shorten the life of the self-lubricating bearings. If you feel they must be lubricated, use only a dry, powdered graphite type lubricant sparingly.

LAWN MOWER

Always observe safety rules when performing any maintenance.

TIRES

- Keep tires free of gasoline, oil, or insect control chemicals which can harm rubber.
- Avoid stumps, stones, deep ruts, sharp objects and other hazards that may cause tire damage.

DRIVE WHEELS

Check front drive wheels each time before you mow to be sure they move freely. The wheels not turning freely means trash, grass cuttings, etc. are in the drive wheel area and must be cleaned to free drive wheels. If necessary to clean the drive wheels, be sure to clean both front wheels.

1. Remove hubcaps (if equipped), locknuts and washers.
2. Remove wheels from wheel adjusters.
3. Remove any trash or grass cuttings from inside the dust cover, pinion and/or drive wheel gear teeth.
4. Put wheels back in place.

NOTE: If after cleaning, the drive wheels do not turn freely, contact a Sears or other qualified service center.

BLADE CARE

For best results, mower blade must be kept sharp. Replace a bent or damaged blade.

CAUTION: Use only a replacement blade approved by the manufacturer of your mower. Using a blade not approved by the manufacturer of your mower is hazardous, could damage your mower and void your warranty.

TO REMOVE BLADE

1. Disconnect spark plug wire from spark plug and place wire where it cannot come in contact with plug.
2. Turn lawn mower on its side. Make sure air filter and carburetor are up.
3. Use a wood block between blade and mower housing to prevent blade from turning when removing blade bolt.

NOTE: Protect your hands with gloves and/or wrap blade with heavy cloth.

4. Remove blade bolt by turning counter-clockwise.
5. Remove blade and attaching hardware (bolt, lock washer, hardened washer).

NOTE: Remove the blade adapter and check the key inside hub of blade adapter. The key must be in good condition to work properly. Replace adapter if damaged.

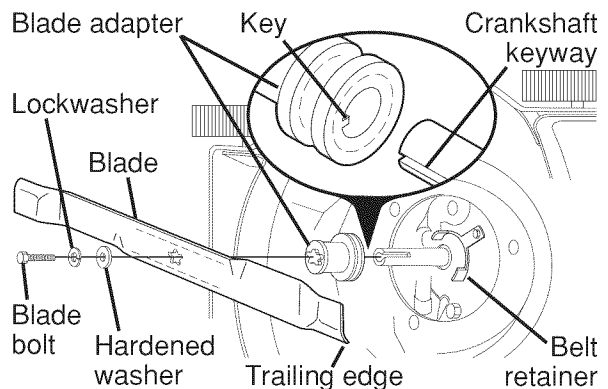
TO REPLACE BLADE

1. Position the blade adapter on the engine crankshaft. Be sure key in adapter and crankshaft keyway are aligned.
2. Position blade on the blade adapter.

IMPORTANT: To ensure proper assembly, center hole in blade must align with star on blade adapter.

3. Be sure trailing edge of blade (opposite sharp edge) is up toward the engine.
 4. Install the blade bolt with the lock washer and hardened washer into blade adapter and crankshaft.
 5. Use block of wood between blade and lawn mower housing and tighten the blade bolt, turning clockwise.
- The recommended tightening torque is 35–40 ft. lbs.

IMPORTANT: Blade bolt is heat treated. If bolt needs replacing, replace only with approved bolt shown in the Repair Parts section of this manual.



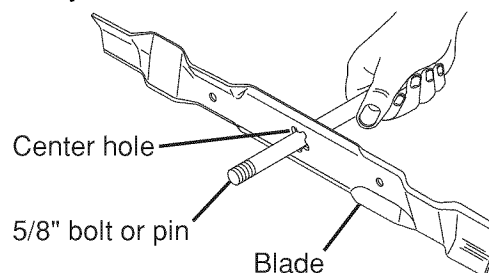
TO SHARPEN BLADE

NOTE: We do not recommend sharpening blade - but if you do, be sure the blade is balanced. An unbalanced blade will cause eventual damage to lawn mower or engine.

- The blade can be sharpened with a file or on a grinding wheel. Do not attempt to sharpen while on the mower.
- To check blade balance, you will need a 5/8" diameter steel bolt, pin, or a cone balancer. (When using a cone balancer, follow the instructions supplied with it.)

NOTE: Do not use a nail for balancing blade. The lobes of the center hole may appear to be centered, but are not.

- Slide blade on to an unthreaded portion of the steel bolt or pin and hold the bolt or pin parallel with the ground. If blade is balanced, it should remain in a horizontal position. If either end of the blade moves downward, sharpen the heavy end until the blade is balanced.



GRASS CATCHER

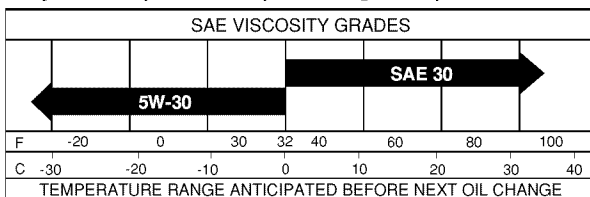
- The grass catcher may be hosed with water, but must be dry when used.
- Check your grass catcher often for damage or deterioration. Through normal use it will wear. If catcher needs replacing, replace only with approved replacement catcher shown in the Repair Parts section of this manual. Give the lawn mower model number when ordering.

GEAR CASE

- To keep your drive system working properly, the gear case and area around the drive should be kept clean and free of trash build-up. Clean under the drive cover twice a season.
- The gear case is filled with lubricant to the proper level at the factory. The only time the lubricant needs attention is if service has been performed on the gear case.

ENGINE LUBRICATION

Use only high quality detergent oil rated with API service classification SG–SL. Select the oil's SAE viscosity grade according to your expected operating temperature.



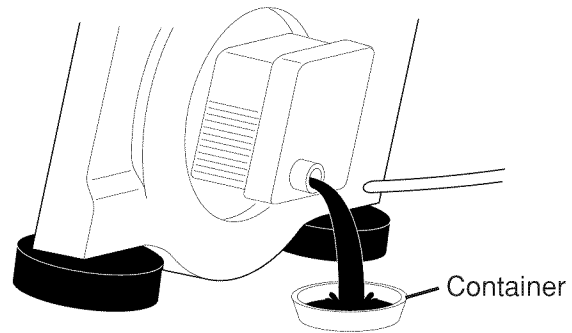
NOTE: Although multi-viscosity oils (5W30, 10W30 etc.) improve starting in cold weather, these multi-viscosity oils will result in increased oil consumption when used above 32°F. Check your engine oil level more frequently to avoid possible engine damage from running low on oil. Change the oil after every 25 hours of operation or at least once a year if the mower is not used for 25 hours in one year. Check the crankcase oil level before starting the engine and after each five (5) hours of continuous use. Tighten oil plug securely each time you check the oil level.

TO CHANGE ENGINE OIL

NOTE: Before tipping lawn mower to drain oil, empty fuel tank by running engine until fuel tank is empty.

1. Disconnect spark plug wire from spark plug and place wire where it cannot come in contact with plug.

2. Remove engine oil cap; lay aside on a clean surface.
3. Tip lawn mower on its side as shown and drain oil into a suitable container. Rock lawn mower back and forth to remove any oil trapped inside of engine.



4. Wipe off any spilled oil from lawn mower or side of engine.
5. Slowly pour oil down the oil fill spout, stopping every few ounces to check the oil level with the dipstick.
6. Stop adding oil when you reach the FULL mark on the dipstick. Wait a minute to allow oil to settle.
7. Continue adding small amounts of oil, rechecking the dipstick until oil level settles at FULL. DO NOT overfill, or engine will smoke heavily from the muffler on startup.
8. Always be sure to retighten oil dipstick before starting engine.
9. Reconnect spark plug wire to spark plug.

AIR FILTER

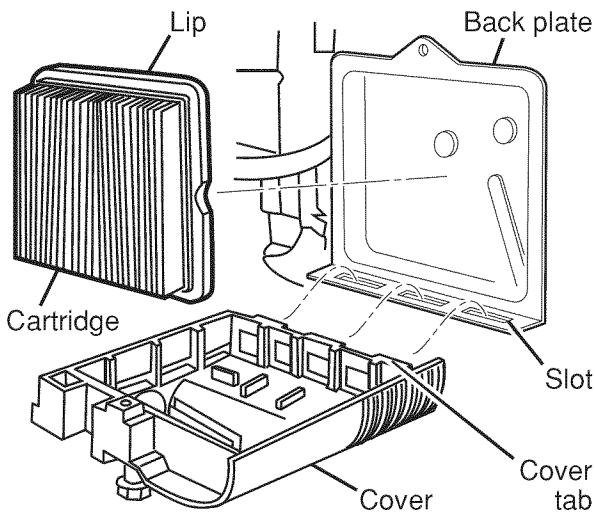
Your engine will not run properly and may be damaged by using a dirty air filter. Replace the air filter cartridge every 100 hours of operation or every season, whichever occurs first. Service air cleaner more often under dusty conditions.

TO CLEAN AIR FILTER

1. Loosen screw and tilt cover to remove.
2. Carefully remove cartridge.
3. Clean by gently tapping on a flat surface. If very dirty, replace cartridge.

CAUTION: Petroleum solvents, such as kerosene, are not to be used to clean cartridge. They may cause deterioration of the cartridge. Do not oil cartridge. Do not use pressurized air to clean or dry cartridge.

4. Install cartridge, then replace cover making sure the tabs are aligned with the slots in the back plate. Fasten screw securely.



MUFFLER

Inspect and replace corroded muffler as it could create a fire hazard and/or damage.

SPARK PLUG

Replace spark plug at the beginning of each mowing season or after every 100 hours of operation, whichever occurs first. Spark plug type and gap setting are shown in the "PRODUCT SPECIFICATIONS" section of this manual.

CLEANING

IMPORTANT: For best performance, keep mower housing free of built-up grass and trash. Clean the underside of your mower after each use.

CAUTION: Disconnect spark plug wire from spark plug and place wire where it cannot come in contact with plug.

- Clean the underside of your lawn mower by scraping to remove build-up of grass and trash.
- Clean engine often to keep trash from accumulating. A clogged engine runs hotter and shortens engine life.
- Keep finished surfaces and wheels free of all gasoline, oil, etc.
- We do not recommend using a garden hose to clean the outside of your lawn mower unless the electrical system, muffler, air filter and carburetor are covered to keep water out. Water in engine can result in shortened engine life.

WATER WASHOUT FEATURE

Your lawn mower is equipped with a fitting that allows quick and easy cleaning of the underside of the housing. To use this feature, proceed as follows:

1. Move lawn mower to an area of cut grass or another hard surface.

NOTE: Water, grass and other debris will drain from beneath the mower housing during the washout process.

2. Remove grass catcher and discharge chute assembly from lawn mower.
3. Close mulcher door (if equipped).
4. Connect a garden hose to the fitting where shown.

IMPORTANT: Be sure the garden hose is not routed under the lawn mower housing or entangled in the wheels.

5. Turn on water supply and check for leaks at the fitting.

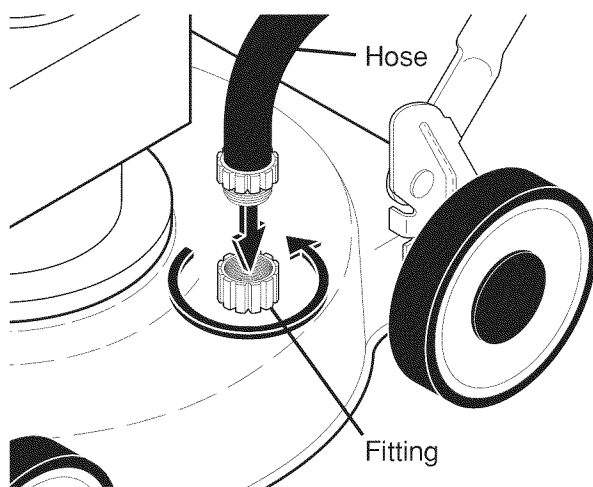
If no leaks are present, start engine (as described in the Operation section of this manual) and let engine run until the underside of the lawn mower is clean.

WARNING: Do not engage the drive system during the washout process.

6. Shut off the engine.
7. Shut off water supply and remove hose from fitting.

CAUTION: Do not remove hose from fitting while engine is running. Water in engine can result in shortened engine life.

8. Start engine (as described in the Operation section of this manual) and let engine run for a full minute to remove excess water from mower.



CLEAN UNDER DRIVE COVER

Clean under drive cover at least twice a season. Scrape underside of cover with putty knife or similar tool to remove any build-up of trash or grass on underside of drive cover.

SERVICE AND ADJUSTMENTS

⚠ WARNING: To avoid serious injury, before performing any service and adjustments:

1. Release control bar and stop engine.
2. Make sure the blade and all moving parts have completely stopped.
3. Disconnect spark plug wire from spark plug and place wire where it cannot come in contact with plug.

LAWN MOWER

TO ADJUST CUTTING HEIGHT

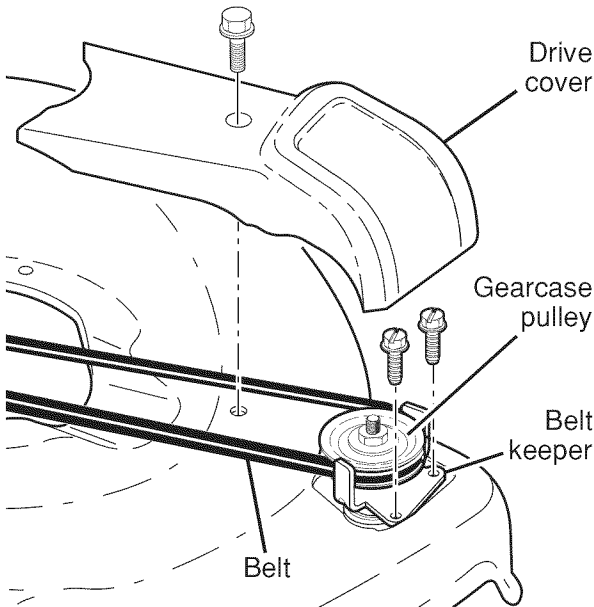
See "TO ADJUST CUTTING HEIGHT" in the Operation section of this manual.

REAR DEFLECTOR

The rear deflector, attached between the rear wheels of your mower, is provided to minimize the possibility that objects will be thrown out of the rear of the mower into the operator mowing position. If the deflector becomes damaged, it should be replaced.

TO REMOVE DRIVE BELT

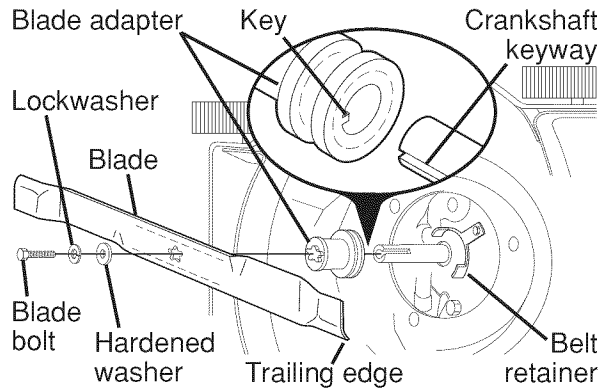
1. Remove drive cover and belt keeper.
2. Remove belt from gearcase pulley.
3. Turn lawn mower on its side with air filter and carburetor up.
4. Remove blade and blade adapter.
5. Remove belt from engine pulley.



TO REPLACE DRIVE BELT

1. Place new drive belt on engine pulley, inside tabs of belt retainer.
2. Route the other end of the new drive belt through hole in housing.
3. Reinstall blade adapter and blade.
4. Return mower to upright position.
5. Install new belt on gearcase pulley.
6. Reinstall belt keeper and drive cover.

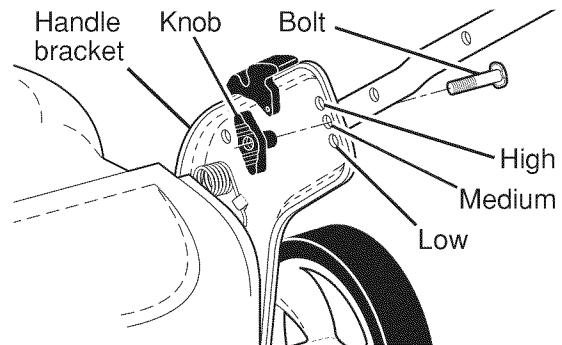
NOTE: Always use factory approved belt to assure proper fit and long life.



TO ADJUST HANDLE

The handle on your lawn mower has three (3) height positions - adjust to height that suits you.

1. Remove knob and carriage bolt on one side of the lower handle.
2. While holding handle assembly, remove knob and carriage bolt from opposite side, align hole in handle with desired hole in handle bracket and reassemble bolt and knob and tighten securely.
3. Align opposite side of handle with same positioning hole and secure with bolt and knob.



ENGINE

ENGINE SPEED

Your engine speed has been factory set. Do not attempt to increase engine speed or it may result in personal injury. If you believe that engine is running too fast or too slow, take your mower to a Sears or other qualified service center for repair and adjustment.

CARBURETOR

Your carburetor is not adjustable. If your engine does not operate properly due

to suspected carburetor problems, take your lawn mower to a Sears or other qualified service center for repair and/or adjustment.

IMPORTANT: Never tamper with the engine governor, which is factory set for proper engine speed. Overspeeding the engine above the factory high speed setting can be dangerous. If you think the engine-governed high speed needs adjusting, contact a Sears or other qualified service center, which has proper equipment and experience to make any necessary adjustments.

STORAGE

Immediately prepare your lawn mower for storage at the end of the season or if the unit will not be used for 30 days or more.

LAWN MOWER

When lawn mower is to be stored for a period of time, clean it thoroughly, remove all dirt, grease, leaves, etc. Store in a clean, dry area.

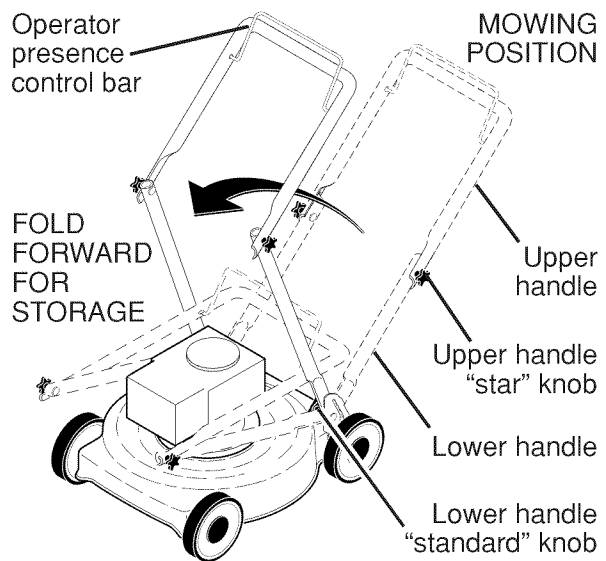
1. Clean entire lawn mower (See "CLEANING" in the Maintenance section of this manual).
2. Lubricate as shown in the Maintenance section of this manual.
3. Be sure that all nuts, bolts, screws, and pins are securely fastened. Inspect moving parts for damage, breakage and wear. Replace if necessary.
4. Touch up all rusted or chipped paint surfaces; sand lightly before painting.

HANDLE

You can fold your lawn mower handle for storage.

1. Loosen the two "star" handle knobs on sides of the upper handle and allow handle to fold down to the rear.
2. Loosen the two "standard" handle knobs on sides of the lower handle and pivot entire handle assembly forward and allow it to rest on mower.
3. Reinstall "standard" knobs and carriage bolts to lower handle or handle brackets for safe keeping.
- When setting up your handle from the storage position, you must manually lock lower handle into mowing position.

IMPORTANT: When folding the handle for storage or transportation, be sure to fold the handle as shown or you may damage the control cables.



ENGINE FUEL SYSTEM

IMPORTANT: It is important to prevent gum deposits from forming in essential fuel system parts such as carburetor, fuel filter, fuel hose, or tank during storage. Alcohol blended fuels (called gasohol or using ethanol or methanol) can attract moisture which leads to separation and formation of acids during storage. Acidic gas can damage the fuel system of an engine while in storage.

- Empty the fuel tank by starting the engine and letting it run until the fuel lines and carburetor are empty.
- Never use engine or carburetor cleaner products in the fuel tank or permanent damage may occur.
- Use fresh fuel next season.

NOTE: Fuel stabilizer is an acceptable alternative in minimizing the formation of fuel gum deposits during storage. Add stabilizer to gasoline in fuel tank or storage container. Always follow the mix ratio found on stabilizer container. Run engine at least 10 minutes after adding stabilizer to allow the stabilizer to reach the carburetor. Do not empty the gas tank and carburetor if using fuel stabilizer.

NOTE: *FRESH START™* fuel cap and cartridge system automatically drips concentrated fuel preserver into your fuel tank and is an acceptable alternative to adding fuel stabilizer.

ENGINE OIL

Drain oil (with engine warm) and replace with clean engine oil. (See "ENGINE" in the Maintenance section of this manual).

CYLINDER

1. Remove spark plug.
2. Pour one ounce (29 ml) of oil through spark plug hole into cylinder.
3. Pull starter handle slowly a few times to distribute oil.
4. Replace with new spark plug.

OTHER

- Do not store gasoline from one season to another.
- Replace your gasoline can if your can starts to rust. Rust and/or dirt in your gasoline will cause problems.
- If possible, store your unit indoors and cover it to protect it from dust and dirt.
- Cover your unit with a suitable protective cover that does not retain moisture. Do not use plastic. Plastic cannot breathe, which allows condensation to form and will cause your unit to rust.

IMPORTANT: Never cover mower while engine and exhaust areas are still warm.

CAUTION: Never store the lawn mower with gasoline in the tank inside a building where fumes may reach an open flame or spark. Allow the engine to cool before storing in any enclosure.

TROUBLESHOOTING - See appropriate section in manual unless directed to a Sears Parts & Repair Center.

PROBLEM	CAUSE	CORRECTION
Does not start	<ol style="list-style-type: none"> 1. Dirty air filter. 2. Out of fuel. 3. Stale fuel. 4. Water in fuel. 5. Spark plug wire is disconnected. 6. Bad spark plug. 7. Loose blade or broken blade adapter. 8. Control bar in released position. 9. Control bar defective. 10. Fuel valve lever (if so equipped) in OFF position. 11. Weak battery (if equipped). 12. Disconnected battery connector (if equipped). 13. Blown fuse (if equipped). 	<ol style="list-style-type: none"> 1. Clean/replace air filter. 2. Fill fuel tank. 3. Empty fuel tank and refill tank with fresh, clean gasoline. 4. Empty fuel tank and refill tank with fresh, clean gasoline. 5. Connect wire to plug. 6. Replace spark plug. 7. Tighten blade bolt or replace blade adapter. 8. Depress control bar to handle. 9. Replace control bar. 10. Turn fuel valve lever to the ON position. 11. Charge battery. 12. Connect battery to engine. 13. Replace fuse.

PROBLEM	CAUSE	CORRECTION
Loss of power	<ol style="list-style-type: none"> 1. Rear of lawn mower housing or cutting blade dragging in heavy grass. 2. Cutting too much grass. 3. Dirty air filter. 4. Buildup of grass, leaves, and trash under mower. 5. Too much oil in engine. 6. Walking speed too fast. 	<ol style="list-style-type: none"> 1. Raise cutting height. 2. Raise cutting height. 3. Clean/replace air filter. 4. Clean underside of mower housing. 5. Check oil level. 6. Cut at slower walking speed.
Poor cut – uneven	<ol style="list-style-type: none"> 1. Worn, bent or loose blade. 2. Wheel heights uneven. 3. Buildup of grass, leaves and trash under mower. 	<ol style="list-style-type: none"> 1. Replace blade. Tighten blade bolt. 2. Set all wheels at same height. 3. Clean underside of mower housing.
Excessive vibration	<ol style="list-style-type: none"> 1. Worn, bent or loose blade. 2. Bent engine crankshaft. 	<ol style="list-style-type: none"> 1. Replace blade. Tighten blade bolt. 2. Contact a Sears or other qualified service center.
Starter rope hard to pull	<ol style="list-style-type: none"> 1. Engine flywheel brake is on when control bar is released. 2. Bent engine crankshaft. 3. Blade adapter broken. 4. Blade dragging in grass. 	<ol style="list-style-type: none"> 1. Depress control bar to upper handle before pulling starter rope. 2. Contact a Sears or other qualified service center. 3. Replace blade adapter. 4. Move lawn mower to cut grass or to hard surface.
Grass catcher not filling (if so equipped)	<ol style="list-style-type: none"> 1. Cutting height too low. 2. Lift on blade worn off. 3. Catcher not venting air. 	<ol style="list-style-type: none"> 1. Raise cutting height. 2. Replace blade. 3. Clean grass catcher.
Hard to push	<ol style="list-style-type: none"> 1. Grass is too high or wheel height is too low. 2. Rear of lawn mower housing or cutting blade dragging in grass. 3. Grass catcher too full. 4. Handle height position not right for you. 	<ol style="list-style-type: none"> 1. Raise cutting height. 2. Raise rear of lawn mower housing one (1) setting higher. 3. Empty grass catcher. 4. Adjust handle height to suit.
Loss of drive or slowing of drive speed	<ol style="list-style-type: none"> 1. Belt wear. 2. Belt off of pulley. 3. Drive cable worn or broken. 4. “Loose” drive control system. 	<ol style="list-style-type: none"> 1. Check/replace drive belt. 2. Check/reinstall drive belt. 3. Replace drive cable. 4. Adjust drive control.

NEED MORE HELP?

You'll find the answer and more on managemyhome.com – for free!

- Find this and all your other product manuals online.
- Get answers from our team of home experts.
- Get a personalized maintenance plan for your home.
- Find information and tools to help with home projects.

TABLA DE MATERIAS

Garantía.....	21	Mantenimiento	32-35
Reglas de Seguridad	21-23	Servicio y Ajustes	36-37
Especificaciones del Producto.....	23	Almacenamiento.....	37-38
Montaje / Pre-Operación	25-26	Identificación de problemas.....	38-39
Operación	27-31	Partes de repuesto	40-49
Programa de Mantenimiento	32	Servicio Sears	Contratapa

GARANTÍA

GARANTÍA DE MANO DE OBRA COMPLETA CRAFTSMAN DE 2 AÑOS

Durante DOS AÑOS a partir de la fecha de compra, este producto está garantizado contra cualquier defecto de material o mano de obra. El producto defectuoso recibirá una reparación o un reemplazo en forma gratuita si la reparación no es posible.

Para conocer los detalles de la cobertura de la garantía con el fin de obtener una reparación o un reemplazo en forma gratuita, visite el página web: www.craftsman.com/warranty

Esta garantía SÓLO cubre defectos de material y mano de obra.

La cobertura de la garantía NO incluye:

- Partes que se pueden gastar por el uso normal dentro del periodo de garantía, como cuchillas, adaptadores de cuchillas, correas, filtros o bujías.
- Daño del producto que sea resultado de los intentos del usuario por modificar o reparar el producto o a causa de los accesorios del producto.
- Reparaciones necesarias por accidente o falla al operar o dar mantenimiento a este producto, de acuerdo con todas las instrucciones provistas.
- Mantenimiento preventivo o reparaciones necesarias debido a una mezcla de combustible inapropiada, contaminada o inservible.

Esta garantía será nula si el producto se usa alguna vez mientras se proveen servicios comerciales o si se renta a otra persona.

Esta garantía le otorga derechos legales específicos, además que de puede tener otros derechos que varían de un estado a otro.

Sears Brands Management Corporation, Hoffman Estates, IL 60179

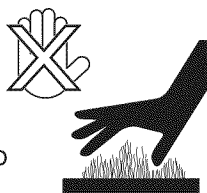
REGLAS DE SEGURIDAD

IMPORTANTE: Esta maquina cortadaora es capaz de amputar las manos y los manos y los pies y de lanzar objetos. Si no se observan las instrucciones de seguridad siguientes se pueden producir lesiones graves o la muerte.

⚠ Busque este símbolo que señala las precauciones de seguridad de importancia. Quiere decir – ¡¡¡ATENCIÓN!!! ¡¡¡ESTE ALERTO!!! SU SEGURIDAD ESTA COMPROMETIDA.

⚠ADVERTENCIA: Siempre desconecte el alambre de la bujía y póngalo donde no pueda entrar en contacto con la bujía, para evitar el arranque por accidente, durante la preparación, el transporte, el ajuste o cuando se hacen reparaciones.

⚠PRECAUCIÓN: El tubo de escape del motor, algunos de sus constituyentes y algunos componentes del vehículo contienen o desprenden productos químicos conocidos en el Estado de California como causa de cáncer y defectos al nacimiento u otros daños reproductivos.



⚠ADVERTENCIA: Los bornes, terminales y accesorios relativos de la batería contienen plomo o compuestos de plomo, productos químicos conocidos en el Estado de California como causa de cáncer y defectos al nacimiento u otros daños reproductivos. **Lavar las manos después de manipularlos.**

⚠PRECAUCIÓN: El silenciador y otras piezas del motor llegan a sre extremadamente calientes durante la operación y siguen siendo calientes después de que el motor haya parado. Para evitar quemaduras severas, permanezca lejos de estas áreas.

⚠ADVERTENCIA: Este segadora viene equipado con un motor de combustión interna y no se debe usar sobre, o cerca, de un terreno no desarrollado cubierto de bosques, de arbustos o de césped, o menos que el sistema de escape del motor venga equipado con un amortiguador de chispas que cumpla con las leyes locales o estatales (si existen). Si se usa un amortiguador de chispas, el operador debe mantenerlo en condiciones de trabajo eficientes.

En el estado de California, la ley exige lo anterior (Sección 4442 del "California Public Resources Code"). Otros estados pueden contar con otras leyes parecidas. Las leyes federales se aplican en las tierras federales. Su centro de Servicio más cercano tiene disponible amortiguadores de chispas para el silenciador (Vea la sección de PARTES DE REPUESTO en el manual Inglés del dueño).

I. OPERACION

- Antes de empezar, debe familiarizarse completamente con los controles y el uso correcto de la maquina. Para esto, debe leer y comprender todas las instrucciones que aparecen en la maquina y en los manuales de operación.
- No ponga las manos o los pies cerca o debajo de las partes rotatorias. Manténgase siempre lejos de la abertura de la descarga.
- Permita que solamente las personas responsables que estén familiarizadas con las instrucciones operen la máquina.
- Despeje el área de objetos tales como piedras, juguetes, alambres, huesos, palos, etc. que pueden ser recogidos y lanzados por las cuchillas.
- Asegúrese que el área no se hallen personas, antes de segar. Pare la máquina si alguien entra en el área.
- No opere la maquina sin zapatos o con sandalias abiertas. Póngase siempre zapatos sólidos.
- No tire de la segadora hacia atrás a menos que sea absolutamente necesario. Mire siempre hacia abajo y hacia detrás antes y mientras que se mueve hacia atrás.
- Nunca dirigir el material descargado hacia las personas. Evitar descargar material contra paredes o barreras. El material puede retornar al operador. Para la cuchilla cuando se pasa por superficies de grava.
- No opere la segadora sin los respectivos resguardos, las placas, el recogedor de césped u otros aditamentos diseñados para su protección y seguridad.
- Refiérase a las instrucciones del fabricante para el funcionamiento e instalación de accesorios. Use únicamente accesorios aprobados por el fabricante.
- Detenga la cuchilla o las cuchillas cuando cruce por calzadas, calles o caminos de grava.
- Parar el motor cada vez que se abandona el aparato, antes de limpiar la segadora o de remover residuos del tubo.
- Apagar el motor y esperar hasta que las cuchillas estén completamente paradas antes de remover el receptor de hierba.
- Segar solamente con luz del día o con una buena luz artificial.
- No opere la máquina bajo la influencia del alcohol o de las drogas.
- Nunca opere la maquina cuando la hierba esté mojada. Asegúrese siempre de tener buena tracción en sus pies; mantenga el mango firmemente y camine; nunca corra.

- Desconectar el mecanismo de propulsión autónoma o el embrague de transmisión en las segadoras que lo tienen antes de poner en marcha el motor.
- Si el equipo empezara a vibrar de una manera anormal, pare el motor y revise de inmediato para averiguar la causa. Generalmente la vibración suele indicar que existe alguna avería.
- Siempre use gafas de seguridad o anteojos con protección lateral cuando opere la segadora.

II. OPERACION SOBRE LAS CUESTAS

Los accidentes ocurren con más frecuencia en las cuestas. Estos accidentes ocurren debido a resbaladas o caídas, las cuales pueden resultar en graves lesiones. Operar la recortadora en cuestas requiere mayor concentración. Si se siente inseguro en una cuesta, no la recorte.

HACER:

- Puede recortar a través de la superficie de la cuesta, nunca hacia arriba y hacia abajo. Proceda con extrema precaución cuando cambie de dirección en las cuestas.
- Renueva todos los objetos extraños, tales como guijarros, ramas, etc.
- Debe prestar atención a hoyos, baches o protuberancias. Recuerde que la hierba alta puede esconder obstáculos.

NO HACER:

- No recorte cerca de pendientes, zanjas o terraplenes. El operador puede perder la tracción en los pies o el equilibrio.
- No recorte cuestas demasiado inclinadas.
- No recorte en hierba mojada. La reducción en la tracción de la pisada puede causar resbalones.

III. NIÑOS

Se pueden producir accidentes trágicos si el operador no presta atención a la presencia de los niños. A menudo, los niños se sienten atraídos por la máquina y por la actividad de la siega. Nunca suponga que los niños van a permanecer en el mismo lugar donde los vio por última vez.

- Mantenga a los niños alejados del área de la siega y bajo el cuidado estricto de otra persona adulta responsable.
- Esté alerta y apague la máquina si hay niños que entran al área.
- Antes y cuando este retrocediendo, mire hacia atrás y hacia abajo para verificar si hay niños pequeños.
- Nunca permita que los niños operen la máquina.
- Tenga un cuidado extra cuando se acerque a esquinas donde no hay visibilidad, a los arbustos, árboles u otros objetos que pueden interferir con su línea de visión.

⚠ADVERTENCIA: LOS NIÑOS PUEDEN RESULTAR HERIDOS POR ESTE EQUIPO. La Academia Americana de Pediatría recomienda que los cortacésped de conductor a pie sean manejados por personas de al menos 12 años de edad, mientras que los cortacésped de conductor montado sean operados por personas de al menos 16 años de edad.

- Cuando cargue o descargue la máquina, no sobrepase el ángulo máximo recomendado de operación de 15°.
- Utilice equipo de protección personal (EPP) cuando utilice esta máquina, incluyendo (como mínimo) calzando resistente, protección ocular y protección auditiva. No corte el césped con calzado corto ni abierto.

Ponga en conocimiento de los demás que está cortando el césped.

IV. MANEJO SEGURO DE GASOLINA

Usar mucha atención cuando se maneja gasolina. La gasolina es extremadamente inflamable y los vapores son explosivos.

- Apagar todos los cigarrillos, cigarros, pipas y otras fuentes de ignición.
- Usar solo un contenedor apropiado.
- Nunca quitar el tapón de la gasolina o añadir carburante con el motor en marcha. Esperar que el motor se enfríe antes de repostar la gasolina.
- Nunca repostar la máquina al interior de un local.
- Nunca guardar la máquina o el contenedor de gasolina donde hay una llama abierta, chispa o luz piloto como una caldera u otros dispositivos.
- Nunca llenar contenedores en un vehículo, en un camión o caravana con un forro de plástico. Colocar siempre los contenedores en el suelo lejos de su vehículo antes de llenar.
- Quitar equipos que funcionan con gasolina del camión o caravana y repostar en el suelo. Si esto no es posible, repostar dicho equipo con un contenedor portátil, más bien que con una tobera de gasolina.
- Mantener la tobera en contacto con el bordo del depósito de carburante o de la apertura del contenedor siempre hasta terminar el abastecimiento. No usar un dispositivo de cierre-apertura de la tobera.
- Si el carburante cae en la ropa que se lleva, cambiársela inmediatamente.

- Nunca llenar en exceso el depósito de carburante. Colocar el tapón de la gasolina y apretar de modo seguro.

V. SERVICIO

- Nunca haga funcionar una máquina dentro de un área cerrada.
- Nunca haga ajustes o reparaciones mientras el motor esté en marcha. Desconecte el cable de la bujía, y manténgalo a cierta distancia de ésta para prevenir un arranque accidental.
- Mantenga las tuercas y los pernos, especialmente los pernos del accesorio de la cuchilla, apretados y mantenga el equipo en buenas condiciones.
- Nunca manipule de forma indebida los dispositivos de seguridad. Controle regularmente su funcionamiento correcto.
- Mantenga la máquina libre de hierba, hojas u otras acumulaciones de desperdicio. Limpie los derrames de aceite o combustible. Permita que la máquina se enfríe antes de almacenarla.
- Pare e inspeccione el equipo si le pega a un objeto. Repárelo, si es necesario, antes de hacerlo arrancar.
- En ningún caso hay que regular la altura de las ruedas mientras el motor está en marcha.
- Los componentes del receptor de la hierba van sujetos a desgaste, daños y deterioro, que pueden exponer las partes en movimiento o permitir que objetos sean disparados. Controlar frecuentemente y cuando sea necesario sustituir con partes aconsejadas por el fabricante.
- Las cuchillas de la segadora están afiladas y pueden cortar. Cubrir las hojas o llevar guantes, y utilizar precauciones especiales cuando se efectúa mantenimiento sobre las mismas.
- No cambie el ajuste del regulador del motor ni exceda su velocidad.
- Mantener o sustituir las etiquetas de seguridad e instrucciones, cuando sea necesario.

ESPECIFICACIONES DEL PRODUCTO

Número de Serie:	
Fecha de Compra:	
Capacidad y Tipo de Gasolina:	1.6 Cuartos (Regular sin Plomo)
Tipo de Aceite (API SG-SL):	SAE 30 (Sobre 32°F); SAE 5W-30 (Debajo 32°F)
Capacidad de Aceite:	18 Onzas
Bujía (Abertura: .020")	Champion RJ2YXLE (o 33459 por MRS)
Torsión del Perno de la Cuchilla:	35-40 ft. lbs.
<ul style="list-style-type: none"> • El número del modelo y el de serie se encuentran en la calcomanía adjunta a la parte trasera de la caja de la segadora. Debe registrar tanto el número de serie como la fecha de compra y manténgalos en un lugar seguro para referencia en el futuro. 	

Acuerdos de Protección para la Reparación

Congratulaciones por su buena compra. Su nuevo producto Craftsman® está diseñado y fabricado para funcionar de modo fiable por muchos años. Pero como todos los productos, puede necesitar alguna reparación de tanto en tanto. En este caso tener un Acuerdo de Protección para la Reparación puede hacerles ahorrar dinero y fastidios.

Compre ahora un Acuerdo de Protección para la Reparación y protéjese de molestias y gastos inesperados.

Un Acuerdo incluye los puntos siguientes:

- **Servicio experto** de nuestros 12.000 especialistas profesionales en la reparación.
- **Servicio ilimitado sin cargo alguno** para las partes y la mano de obra sobre todas las reparaciones garantizadas.
- **Sustitución del producto** si su producto garantizado no puede ser arreglado.
- **Descuento del 25%** sobre el precio corriente del servicio y de las partes relativas al servicio no cubiertas por el acuerdo; también el 25% menos sobre el precio corriente de un control de mantenimiento preventivo.

- **Ayuda rápida por teléfono** – soporte telefónico por parte de un representante Sears sobre productos que requieren un arreglo en casa, y además una programación sobre los a reglos más convenientes.

Quando se ha comprado el Acuerdo, basta con una llamada telefónica para programar el servicio. Puede llamar cuando quiera, día y noche o fijar en línea una cita para obtener el servicio.

Sears tiene más de 12.000 especialistas profesionales en la reparación, que tienen acceso a más de 4.5 millones de partes y accesorios de calidad. Este es el tipo de profesionalidad con que puede contar para ayudar a alargar la vida del producto que acaba de comprar, por muchos años. ¡Compre hoy su Acuerdo de Protección para la Reparación!

Se aplican algunas limitaciones y exclusiones. Para conocer los precios y tener más información, llame al 1-800-827-6655.

Servicio de Instalación Sears

Para la instalación profesional Sears de aparatos de casa, puertas de garaje, calentadores de agua y otros importantes artículos para la casa, en U.S.A. llamar a 1-800-4-MY-HOME®.

ACCESORIOS PARA LA SEGADORA

Estos accesorios estaban disponibles cuando se produjo la segadora. **No son facilitados junto al cortacesped.** También están disponibles en la mayoría de las tiendas de Sears y en los centros de servicio. **ALGUNOS DE ESTOS ACCESORIOS TAL VEZ NO SE APLIQUEN A SU SEGADORA.**

RENDIMIENTO DE LA SEGADORA

 <p>DESVIADOR DE RECORTES PARA SEGADORAS CON DESCARGA TRASERA</p>	 <p>ESTABILIZADORES</p>	 <p>ENVASES DE GASOLINA</p>
 <p>RECORTADOR PARA SEGADORAS CON DESCARGA TRASERA</p>	 <p>RECORTADOR PARA SEGADORAS CON DESCARGA LATERAL</p>	

MANTENIMIENTO DE LA SEGADORA

 <p>SILENCIADORES</p>	 <p>FILTROS DE AIRE</p>	 <p>BUJÍAS</p>
 <p>CORREAS</p>	 <p>CUCHILLAS</p>	 <p>ADAPTADORES DE CUCHILLA</p>
 <p>RUEDAS</p>	 <p>ACEITE DEL MOTOR</p>	

MONTAJE / PRE-OPERACIÓN

Lea estas instrucciones y este manual completamente antes de tratar de montar u operar su segadora nueva.

IMPORTANTE: Este cortacésped viene SIN ACEITE O GASOLINA en el motor.

Su segadora nueva ha sido montada en la fábrica con la excepción de aquellas partes que se dejaron sin montar por razones de envío.

Todas las partes como las tuercas, las arandelas, los pernos, etc., que son necesarias para completar el montaje han sido colocadas en la bolsa de partes. Para asegurarse que su segadora funcione en forma segura y adecuada, todas las partes y los artículos de ferretería que se monten tienen que ser apretados seguramente. Use las herramientas correctas, como sea necesario, para asegurar que se aprieten adecuadamente.

PARA REMOVER LA SEGADORA DE LA CAJA DE CARTÓN

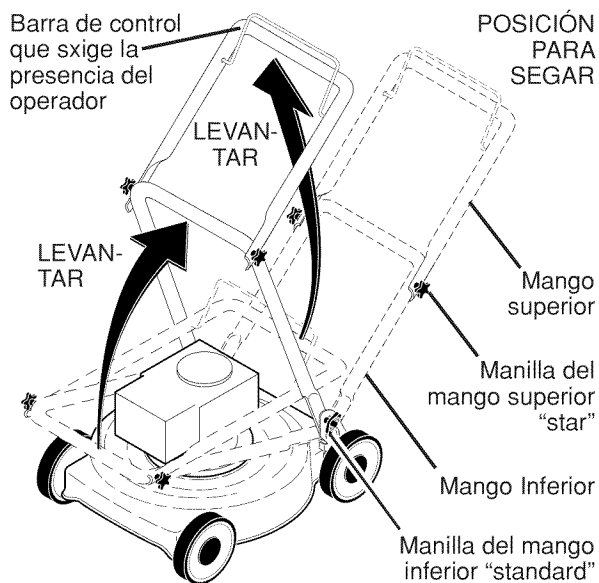
1. Remueva las partes sueltas que se incluyen con la segadora.
2. Corte las dos esquinas de los extremos de la caja de cartón y tienda el panel del extremo plano.
3. Remueva todo el material de empaque, excepto la cuña entre el mango superior y el inferior, y la cuña que sujeta la barra de control que exige la presencia del operador junto con el mango superior.
4. Haga rodar la segadora hacia afuera de la caja de cartón y revísela cuidadosamente para verificar si todavía quedan partes sueltas adicionales.

COMO PREPARAR SU SEGADORA PARA DESDOBLAR EL MANGO

IMPORTANTE: Despliegue el mango con mucho cuidado para no pellizcar o dañar los cables de control.

1. Levante los mangos hasta que la sección del mango inferior y alinee los pernos del mango inferior con los agujeros en los soportes del mango.
2. Inserte pernos de mango a través de mango inferiores y los soportes del mango; asegure con manillas ("standard") inferiores.
3. Retire el protector acolchado, aumente la sección del mango superior en su lugar en el mango inferior y apriete ambas manillas superiores ("star").
4. Remueva el material de empaque de alrededor de la barra de control.

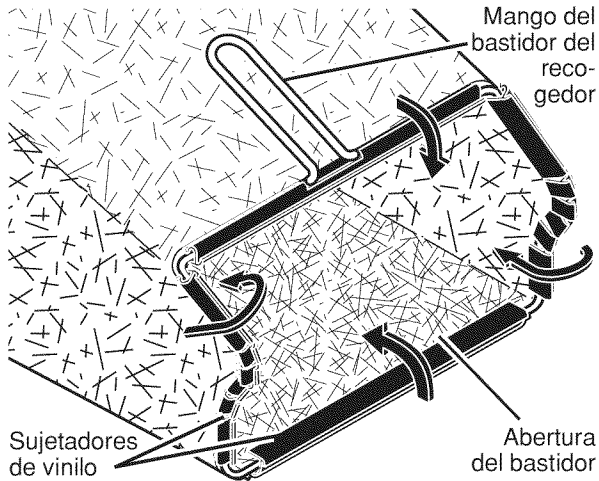
El mango de la segadora puede ajustarse según le acomode para segar. Refiérase a "AJUSTE DEL MANGO" en la Sección de Servicio y Ajustes de este manual.



PARA MONTAR EL RECOGEDOR DE CÉSPED

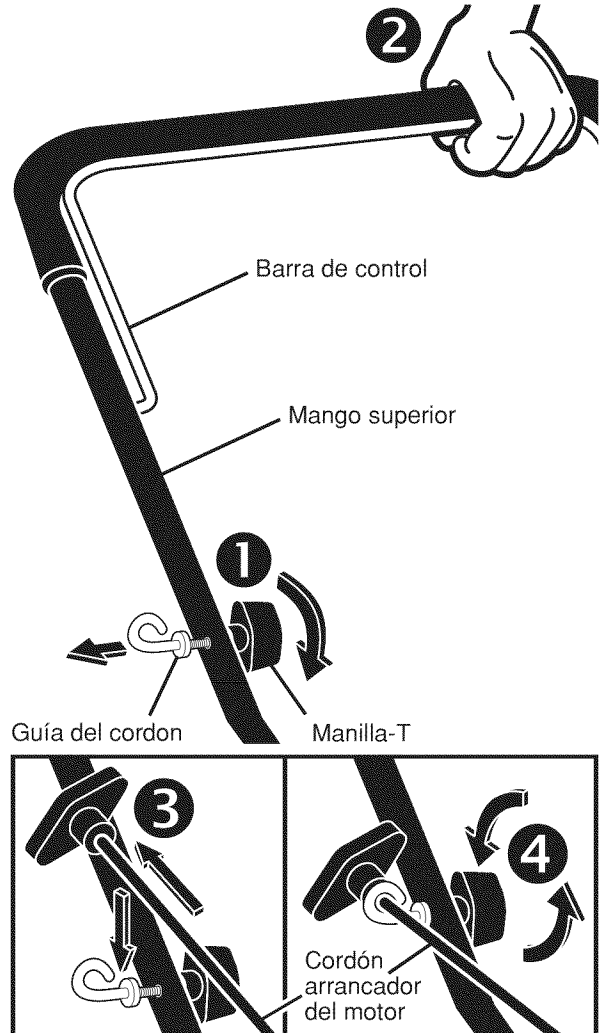
1. Ponga el bastidor del recogedor de césped en la bolsa del césped con la parte rígida de la bolsa en la parte inferior. Asegúrese que el mango del bastidor esté en el exterior de la parte superior de la bolsa.
2. Deslice los sujetadores de vinilo sobre el bastidor.

AVISO: Si los sujetadores de vinilo están muy duros, métalos en agua caliente por algunos minutos. Si se moja la bolsa, déjela que se seque antes de usarla.



INSTALACIÓN DEL CORDÓN ARRANCA-DOR

1. Afloje una manilla-T.
2. Sujete la barra de control en contra del mango superior.
3. Lentamente tire el cordón arrancador del motor hacia afuera hasta que se deslice dentro la parte redondeada de la guía del cordón.
4. Apriete una manilla-T.



PARA INSTALAR LOS ACCESORIOS

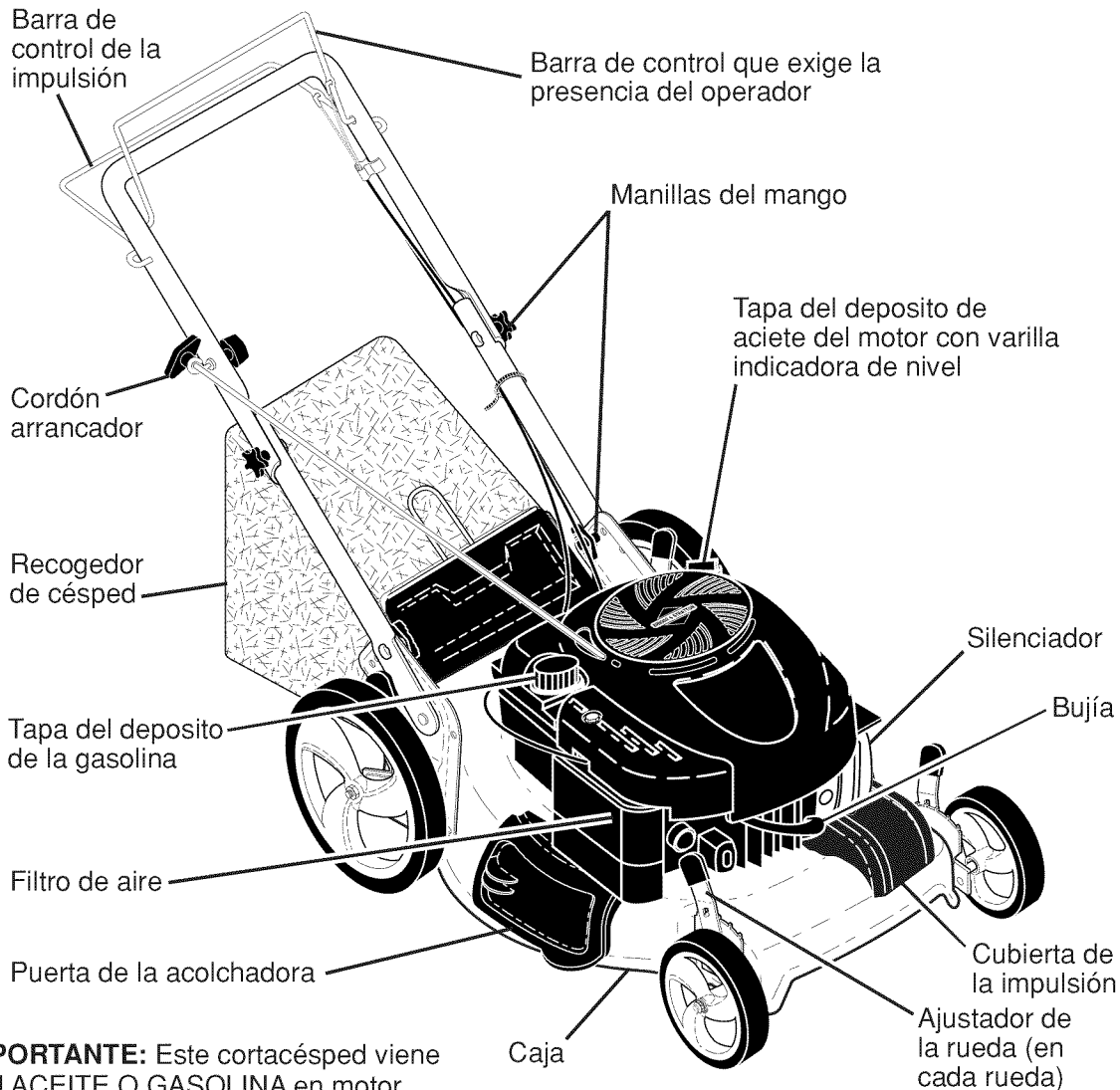
Su segadora fue enviada lista para usarse como una acolchadora de capa vegetal. Para convertirla de modo que pueda ensacar o descargar, refiérase a "PARA CONVERTIR LA SEGADORA" en la sección de Operación de este manual.

OPERACIÓN

FAMILIARICESE CON SU SEGADORA

LEA ESTE MANUAL DEL DUENO Y LAS REGLAS DE SEGURIDAD ANTES DE OPARAR SU SEGADORA. Compare las ilustraciones con su segadora para familiarizarse con la ubicación de los diversos controles y ajustes. Guarde este manual para referencia en el futuro.

Estos símbolos pueden aparecer sobre su segadora o en la literatura proporcionada con el producto. Aprenda y comprenda sus significados.



IMPORTANTE: Este cortacésped viene SIN ACEITE O GASOLINA en motor.

NOTA: Esta máquina puede utilizar gasolina con un contenido de hasta el 10% de etanol (E10). El uso de una gasolina que supere el 10% de etanol (E10) anulará la garantía del producto.

CUMPLE CON LOS REQUISITOS DE SEGURIDAD DE LA CPSC

Las segadoras a motor, que se conducen desde la parte de atrás, rotatorias, Sears, cumplen con los estándares de seguridad del American National Standards Institute y de la U.S. Consumer Product Safety Commission. **⚠️ ADVERTENCIA:** La cuchilla gira cuando el motor está funcionando.

Barra de control que exige la presencia del operador – tiene que sujetarse abajo, junto con el mango, para hacer arrancar el motor. Suéltela para parar el motor.

Puerta de la acolchadora – permite la conversión para la operación de descarga o ensacado. 27

Barra de control de la impulsión – se usa para enganchar la segadora para movimiento hacia adelante impulsada a motor.

Cordón arrancador – se usa para hacer arrancar el motor.



La operación de cualquier segadora puede hacer que salten objetos extraños dentro de sus ojos, lo que puede producir daños graves en éstos. Siempre use anteojos de seguridad o protección para los ojos mientras opere su segadora o cuando haga ajustes o reparaciones. Recomendamos gafas o una máscara de seguridad de visión amplia de seguridad usada sobre las gafas.

COMO USAR SU SEGADORA VELOCIDAD DEL MOTOR

La velocidad del motor se estableció en la fábrica para un rendimiento óptimo. La velocidad no se puede ajustar.

CONTROL DE ZONA DEL MOTOR

⚠ PRECAUCIÓN: Las regulaciones federales exigen que se instale un control para el motor en esta segadora para reducir a un mínimo el riesgo de lesionarse debido al contacto con la cuchilla. Por ningún motivo trate de eliminar la función del control del operador. La cuchilla gira cuando el motor está funcionando.

- Su segadora viene equipada con una barra de controles que exige la presencia del operador, lo que requiere que el operador esté detrás del mango de la segadora para hacerla arrancar y operarla.

CONTROL DE LA IMPULSIÓN

- La autopropulsión se controla manteniendo la palanca de mando operador presente abajo hacia el mango y tirando la barra de accionamiento hasta la mango. Cuanto más cercano se tira la barra hacia el mango, más rápida irá la unidad.
- El movimiento hacia adelante se detiene cuando sea la palanca de mando operador presente o la barra de accionamiento se sueltan. Para detener el movimiento hacia adelante sin apagar el motor, soltar sólo la barra de accionamiento. Mantener la palanca de mando operador presente abajo contra el mango para continuar a cortar sin autopropulsión.

AVISO: Si después haber desenganchado de la palanca de control, la segadora no roda hacia atrás, empuje la segadora un poco hacia adelante para desenganchar las ruedas de la impulsión.

- Para mantener el mando conectado cuando se da la vuelta a una esquina, empujar el mango para levantar las ruedas delanteras del terreno mientras se gira la cortadora.

Barra de control que exige la presencia del operador



AJUSTE DEL MANDO

Ocasionalmente, el sistema de mando puede “aflojarse”, provocando una disminución de la velocidad. Hay agujeros en la sed del mando para apretar la tensión del cable. Proceder de la siguiente manera:

1. Apagar la unidad y desconectar el cable de bujía de la bujía.
2. Afloje la tuerca, mueva el mando la cubierta del control de la impulsión al próximo agujero y apriete otra vez la tuerca.
3. Opere la segadora para probar la velocidad del mecanismo.
4. Si las condiciones no mejoran después de los pasos descritos (la velocidad hacia adelante queda la misma), la correa de transmisión está desgastada y tiene que ser sustituida.

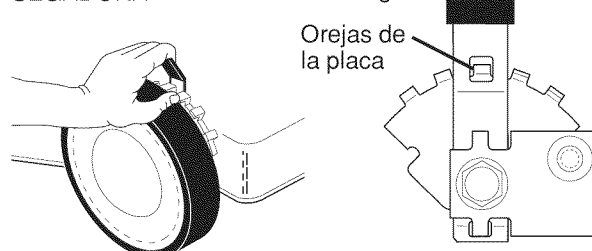
PARA AJUSTAR LA ALTURA DE CORTE

Levante las ruedas para el corte bajo y baje las ruedas para el corte alto., ajuste la altura de corte para que se acomode a sus requisitos. La posición del medio es la mejor para la mayoría de los céspedes.

- Para cambiar la altura de corte, empuje la palanca del ajustador hacia la rueda. Mueva la rueda hacia arriba o hacia abajo de modo que se acomode a sus requisitos. Asegúrese que todas las ruedas queden igualmente ajustadas.

AVISO: El ajustador esta correctamente colocado cuando las orejas de la placa están insertadas en el agujero del mango. También, los ajustes de 9 posiciones (si equipado) permiten que el mango pueda ser movido entre las orejas de la placa.

PALANCA DE GIRAR HACIA EL MOTOR A MENOR LA SEGADORA



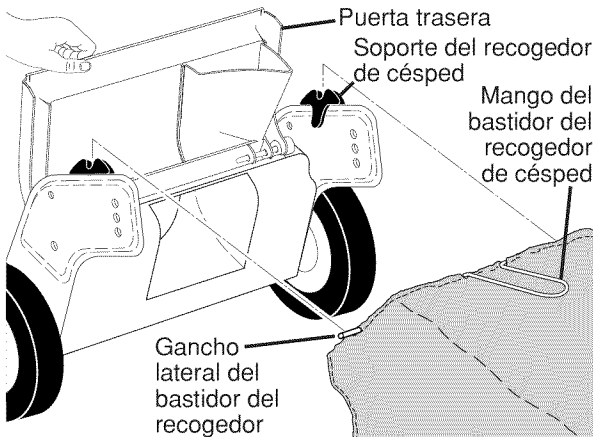
PALANCA DE GIRAR LEJOS DE MOTOR
28 PARA ELEVAR LA SEGADORA

PARA CONVERTIR LA SEGADORA

Su segadora fue enviada lista para usarse como acolchadora de capa vegetal. Para convertirla a una operación de ensacado o de descarga:

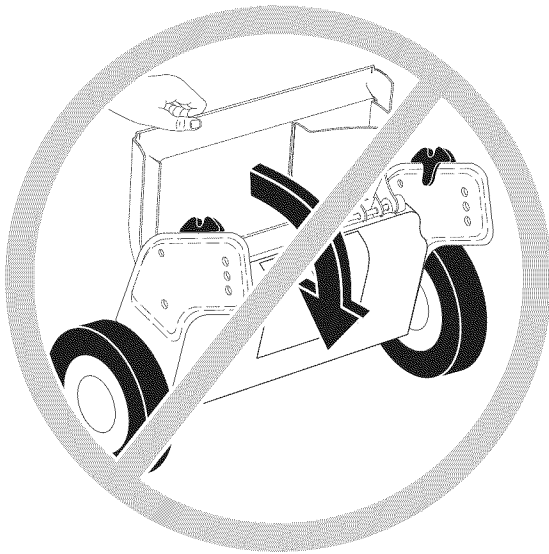
SEGADORAS CON DESCARGA TRASERA

- Levantar la puerta trasera de cortacésped y colocar los ganchos del armazón de la recolectora de hierba en los soporte del recogedor de césped.
- Para pasar a la operación de acolchamiento, remover la recolectora de hierba y cerrar la puerta trasera.



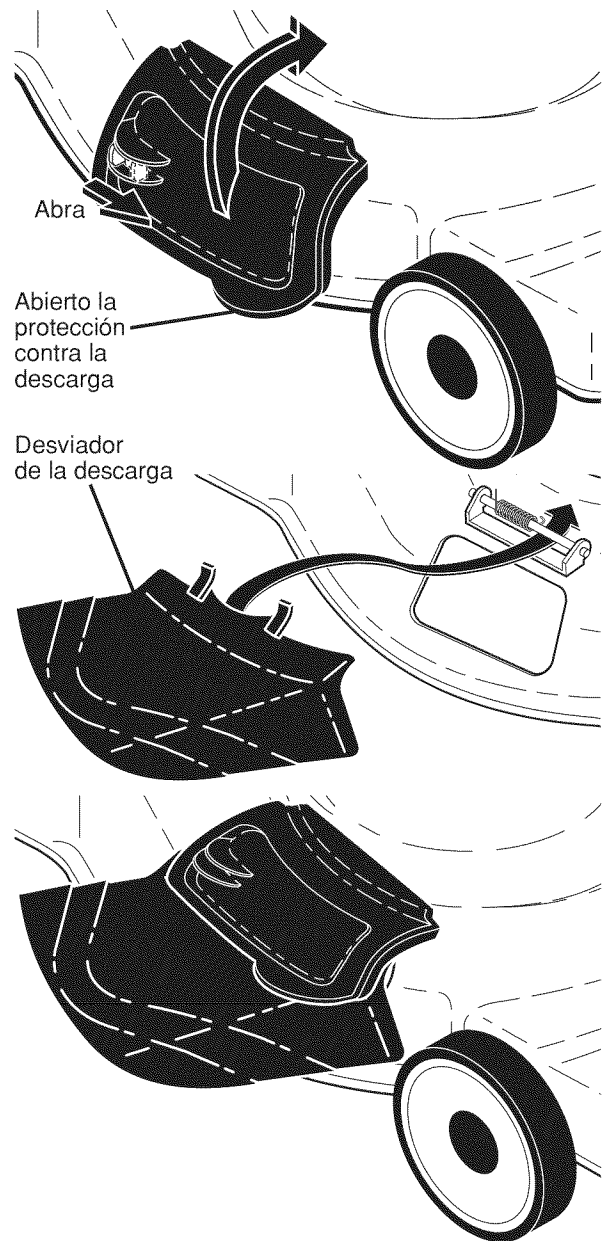
AVISO: Le puerta trasera seguirá siendo abierto hasta la barra de control que exige la presencia del operador se mantiene a la mango.

⚠ PRECAUCIÓN: No fuerce la puerta trasera para cerrarse. El daño grave a su segadora podía resultar.



SEGADORAS CON DESCARGA LATERAL

- La puerta trasera tiene que estar cerrada.
- Abra la protección contra la descarga y instale el desviador de contra la descarga debajo de la protección como se muestra.
- La segadora esta lista para la operación de la descarga.
- Para convertir a la operación de ensacado o de descarga, el desviador de la descarga debe ser removido y la protección contra la descarga debe estar cerrada y trabado.



PASOS SIMPLES DE RECORDAR CUANDO CONVIERTA SU SEGADORA PARA ACOLCHAMIENTO -

1. La puerta trasera cerrada.
2. La protección contra la descarga cerrada y trabado.

PARA ENSACAMIENTO TRASERO -

1. Recogedor del césped instalado.
2. La protección contra la descarga cerrada y trabado.

PARA DESCARGA LATERAL-

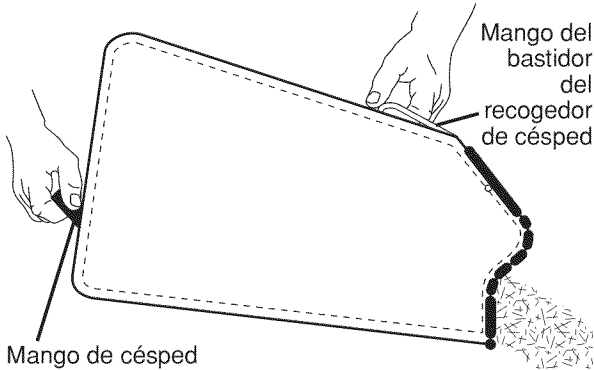
1. La puerta trasera cerrada.
2. La desviador de la descarga instalada.

⚠ PRECAUCIÓN: No haga funcionar su segadora sin la placa de la acolchadora sin el recogedor césped aprobados en su lugar. Nunca trate de operar la segadora cuando se halla removido la puerta trasera o cuando se ha removido a puerta trasera o cuando está un poco abierta.

PARA VACIAR EL RECOGEDOR DE CÉSPED

1. Levante el recogedor de césped usando el mango del bastidor.
2. Remueva el recogedor de césped, con los recortes, de debajo del mango de la segadora.
3. Vacíe los recortes de la bolsa.

AVISO: No arrastre la bolsa cuando la vacíe; se producirá un desgaste innecesario.



ANTES DE HACER ARRANCAR EL MOTOR

AGREGUE ACEITE

Su segadora fue enviada sin aceite en el motor. Para el tipo y el grado del aceite a utilizar, vea el "MOTOR" en la sección del Mantenimiento de este manual.

PRECAUCIÓN: NO sobrellene el motor con aceite, o fumará pesa demante del silenciador cuando lo valla a arrancar.

1. Asegúrese que la segadora esté nivelada.
2. Remueva la varilla medidora de aceite del tubo de descarga de aceite.
3. Usted recibe un envase de aceite con la unidad. Vierta lentamente el envase entero de aceite en el tubo de relleno del motor.

AVISO: El terraplén inicial del aceite requiere solamente 18 onzas debido al aceite residual en el motor de la prueba de calidad de 100% del fabricante. Al cambiar el aceite puede necesitar 20 onzas.

4. Inserte y apriete la varilla medidora de aceite.

IMPORTANTE:

- Revise el nivel del aceite antes de cada uso. Agregue aceite si es necesario. Llene hasta la línea de lleno en la varilla medidora de nivel.
- Cambie el aceite después de 25 horas de operación o una vez por temporada. Puede necesitar cambiar el aceite más a menudo cuando las condiciones son polvorosas o sucias. Vea "PARA CAMBIAR EL ACEITE DEL MOTOR" en la sección de Mantenimiento de este manual.

FIJAR EL CARTUCHO DEL TAPÓN DEL CARBURANTE

Su cortacésped está dotado de un tapón del carburante y un cartucho preservador de carburante continuo especial *FRESH START™*. Véase la información y las instrucciones contenidas en el cartucho *FRESH START™*.

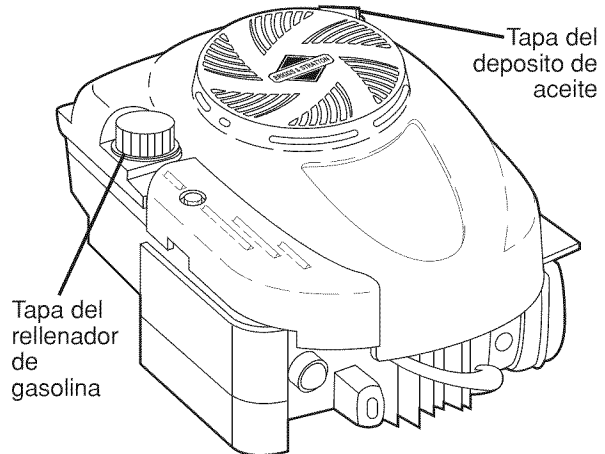
1. Fijar el cartucho en el fondo del tapón del carburante.

NOTA: No quitar el papel plateado de precinto en el lado del cartucho que se fija en el tapón del carburante.

2. Agarrar la etiqueta blanca removible y tirar para quitar el entero precinto.
3. Enrocar el tapón del carburante en el depósito del carburante después de llenar el depósito con gasolina.

Sustituir el cartucho cuando está vacío (aproximadamente uno cada temporada). Controlar visualmente el nivel del preservador.

PELIGRO: El fluido del cartucho es DAÑINO O LETAL SI SE TRAGA. Evitar el contacto con los ojos, la piel o la ropa. No asirlo internamente. No inhalar el vapor del fluido. Mantener lejos del alcance de los niños. Si se traga, llamar inmediatamente al médico.



AGREGUE GASOLINA

- Llene el estanque de combustible hasta la parte inferior del cuello de relleno del estanque de gasolina. No lo llene demasiado. Use gasolina regular, sin plomo, nueva y limpia con el mínimo de 87 octanos. No mezcle el aceite con la gasolina. Para asegurar que la gasolina utilizada sea fresca compre estanques los cuales puedan ser utilizados durante los primeros 30 días.

PRECAUCIÓN: Limpie el aceite o el combustible derramado. No almacene, derrame o use gasolina cerca de una llama expuesta.

PRECAUCIÓN: Los combustibles mezclados con alcohol (conocidos como gasohol, o el uso de etanol o metanol) pueden atraer la humedad, la que conduce a la separación y formación de ácidos durante el almacenamiento. La gasolina acídica puede dañar el sistema del combustible de un motor durante el almacenamiento. Para evitar los problemas con el motor, se debe vaciar el sistema del combustible antes de guardarlo por un período de 30 días o más. Vacíe el estanque del combustible, haga arrancar el motor y hágalo funcionar hasta que las líneas del combustible y el carburador queden vacíos. La próxima temporada use combustible nuevo. Vea las Instrucciones Para El Almacenamiento para más información. Nunca use productos de limpieza para el motor o para el carburador en el estanque del combustible pues se pueden producir daños permanentes.

PARA PARAR EL MOTOR

- Para parar el motor, suelte la barra de controles que exigen la presencia del operador.

PARA HACER ARRANCAR EL MOTOR

AVISO: Debido a las capas protectoras del motor, una cantidad pequeña de humo puede estar presente durante el uso inicial del producto y se debe considerar normal.

AVISO: Su motor viene equipado con un sistema de estrangulación automático. No requiere ser cebado o obturado antes de arrancar.

- Para hacer arrancar un motor, sujete la barra de controles que exigen la presencia del operador abajo en el mango y tire el mango del arrancador rápidamente. No permita que el cordón arrancador se devuelva abruptamente.

CONSEJOS PARA SEGAR

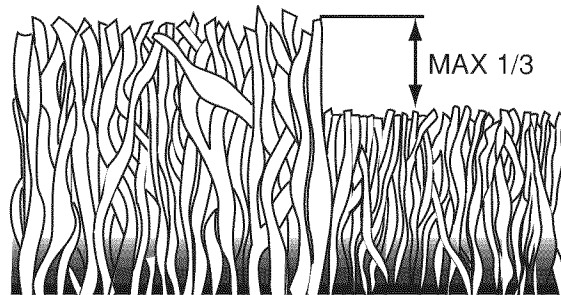
⚠PRECAUCIÓN: No utilizar dispositivos anti-paja de la hoja en la segadora ya que estos accesorios son peligrosos, pueden dañar su segadora y anular su garantía.

- Bajo ciertas condiciones, tal como césped muy alto, puede ser necesario el elevar la altura del corte para reducir el esfuerzo necesario para empujar la segadora y para evitar sobrecargar el motor, dejando montones de recortes de césped. Puede que sea necesario reducir la velocidad del recorrido y/o haga funcionar la segadora sobre el área por segunda vez.
- Para un corte muy pesado, reduzca el ancho del corte pasando parcialmente por encima del lugar anteriormente cortado y siegue lentamente.
- Para un mejor ensacado del césped y para la mayoría de las condiciones de corte, la velocidad del motor debe ajustarse a la posición de RÁPIDO.
- Los poros en los recogedores de césped de tela pueden llenarse con mugre y polvo con el uso y los recogedores recaudarán menos césped. Para evitar éste, rocíe el recogedor con la manguera de agua regularmente y déjelo secarse antes de usarlo.
- Mantenga la parte superior del motor, alrededor del arrancador, despejada y sin recortes de césped y paja. Esto ayudará el flujo del aire del motor y extenderá su duración.

CONSEJOS PARA SEGAR Y ACOLCHAR

IMPORTANTE: Para obtener el mejor rendimiento mantenga la caja de la segadora sin acumulación de césped y basura. Vea "LIMPIEZA" en la sección de Mantenimiento de este manual.

- La cuchilla acolchadora especial va a volver a cortar los recortes de césped muchas veces, y los reduce en tamaño, de modo que si se caen en el césped se van a dispersar entre éste y no se van a notar. También, el césped acolchado se va a deshacer rápidamente entregando substancias nutritivas para el césped. Siempre acolche con la velocidad del motor (cuchilla) más alta, pues así se obtendrá la mejor acción de recorte de las cuchillas.
- Evite cortar el césped cuando esté mojado. El césped mojado tiende a formar montones e interfiere con la acción de acolchado. La mejor hora para segar el césped es temprano en la tarde. A esa hora éste se ha secado y el área recién cortada no quedará expuesta al sol directo.
- Para obtener los mejores resultados, ajuste la altura del corte de la segadora de modo que ésta corte solamente el tercio superior de las hojas de césped. En el caso de que el césped haya crecido demasiado, puede ser necesario el elevar la altura del corte para reducir el esfuerzo necesario para empujar la segadora y para evitar sobrecargar el motor, dejando montones de recortes de césped. Para un césped muy pesado, reduzca el ancho del corte pasando por encima del lugar anteriormente cortado y siegue lentamente.



- Ciertos tipos de césped y sus condiciones pueden exigir que un área tenga que ser acolchada por segunda vez para esconder completamente los recortes. Cuando se haga el segundo corte, siegue atravesado (en forma perpendicular) a la pasada del primer corte.
- Cambie su patrón de corte de semana a semana. Siegue de norte a sur una semana y luego cambie de este a oeste la próxima semana. Esto evitará que el césped se enrede y cambie de dirección.

MANTENIMIENTO

PROGRAMA DE MANTENIMIENTO		ANTES DE CADA USO	DESPUES DE CADA USO	CADA 10 HORAS	CADA 25 HORAS O TEMPORADA	CADA 100 HORAS	ANTES DEL ALMACENAMIENTO
SEGA DOR A	Revisar si hay Sujetadores Suelos	✓					✓
	Limpiar/Inspeccionar el Recogedor de Césped *	✓	✓				✓
	Controlar los Neumáticos	✓					
	Controlar las Ruedas Motrices ***	✓					
	Limpiar la Segadora ****		✓				✓
	Limpiar debajo la Cubierta de la Transmisión ***			✓			
	Revisar las Correas y las Poleas Impulsadas ***				✓		
	Revisar / Afilar / Cambiar la Cuchilla				✓ ₃		
	Lubricación				✓		
MOT OR	Limpiar / Recargar la Batería **				✓		✓ ₄
	Revisar el nivel del Aceite	✓ ₅					
	Cambiar el Aceite del motor				✓ _{1,2}		
	Limpiar el Filtro de Aire				✓ ₂		
	Inspeccionar el Silenciador				✓		
	Cambiar la Bujía					✓	
	Cambiar el Cartucho de Papel del Filtro de Aire					✓ ₂	
	Vaciar el sistema del carburante o añadir un estabilizador de carburante.						✓

- * (si viene equipado)
- ** Segadoras con Arranque Eléctrico
- *** Segadoras con Poder Propulsor
- **** Utilizar una rasqueta para limpiar debajo de la cubierta del cortacésped
- 1 - Cambiar más a menudo cuando se opere bajo carga pesada o en ambientes con altas temperaturas.
- 2 - Dar servicio más a menudo cuando se opere en condiciones sucias o polvorosas.
- 3 - Cambie las cuchillas más a menudo cuando siegue en terreno arenoso.
- 4 - Cargar por 48 horas al fin de la temporada.
- 5 - Y después de 5 horas de funcionamiento.

RECOMENDACIONES GENERALES

La garantía de esta segadora no cubre los artículos que han estado sujetos al abuso o a la negligencia del operador. Para recibir todo el valor de la garantía, el operador tiene que mantener la segadora según las instrucciones descritas en este manual.

Hay algunos ajustes que se tienen que hacer en forma periódica para poder mantener su unidad adecuadamente.

Al menos una vez cada estación comprobar si es necesario efectuar los ajustes descritos en las secciones de Servicio y Ajustes de este manual.

- Una vez al año, cambie la bujía, limpie o cambie el elemento del filtro de aire y revise si la cuchilla está desgastada. Una bujía nueva y un elemento del filtro de aire limpio/nuevo aseguran la mezcla de aire-combustible adecuada y ayudan a que su motor funcione mejor y que dure más.
- Siga el programa de mantenimiento en este manual.

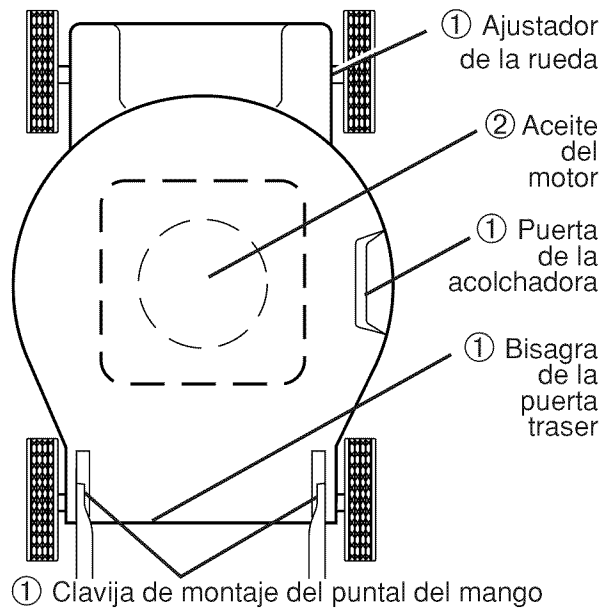
ANTES DE CADA USO

- Revise el nivel del aceite del motor.
- Revise si hay sujetadores sueltos.

LUBRICACIÓN

Mantenga la unidad bien lubricada (vea la "TABLA DE LUBRICACIÓN").

TABLA DE LUBRICACIÓN



① Clavija de montaje del puntal del mango

① Rocie el lubricante

② Vea "MOTOR" en la sección de Mantenimiento

IMPORTANTE: No aceite o engrase los rodamientos de la rueda de plástico. Los lubricantes viscosos atearan polvo y mugre, lo acortara la duracion de los rodamientos autolubricantes. Si cree que tienen que lubricarse, use losamente un lubricante tipo crafito, de polvo seco, en forma moderada.

SEGADORA

Siempre observe las reglas de seguridad cuando haga el mantenimiento.

LLANTAS

- Mantenga las llantas sin gasolina, aceite o sustancias químicas para control de insectos que pueden dañar la goma.
- Evite los tocones, las piedras, las grietas profundas, los objetos afilados y otros peligros que pueden dañar a las llantas.

RUEDAS DE IMPULSIÓN

Revise las ruedas de impulsión delanteras cada vez antes de segar, para asegurarse de que se mueven libremente. Si las ruedas no giran libremente quiere decir que hay basura, recortes de césped, etc. en el área de las ruedas de impulsión y tienen que limpiarse para liberarlas. Es necesario limpiar las ruedas de impulsión; revise ambas ruedas delanteras.

1. Remueva los tapacubos (si equipada), las tuercas de seguridad y las arandelas.
2. Remueva las ruedas de los ajustadores de las ruedas.
3. Remueva la basura y los recortes de césped de dentro de la cubierta contra el polvo, piñón y/o de los dientes de los engranajes de las ruedas de impulsión.
4. Ponga las ruedas de vuelta en su lugar.

AVISO: Si después de limpiar las ruedas de impulsión no giran libremente, póngase en contacto con su centro de servicio Sears o con un otro centro de servicio cualificado.

CUIDADO DE LA CUCHILLA

Para obtener los mejores resultados, la cuchilla de la segadora tienen que mantenerse afilada. Cambie la cuchilla doblada o dañada.

PRECAUCIÓN: Usar solamente la cuchilla de repuesto aprobada por el fabricante de su segadora. Usar una cuchilla no aprobada por el fabricante de su segadora es peligroso, puede dañar su segadora y anular su garantía.

PARA REMOVER LA CUCHILLA

1. Desconecte el alambre de la bujía y póngalo en donde no pueda entrar en contacto con ésta.
2. Haga descansar la segadora en su lado. Asegúrese que el filtro de aire y que el carburador queden mirando hacia arriba.
3. Use un bloque de madera entre la cuchilla y la caja de la segadora para evitar que la cuchilla gire cuando se le quite el perno.

AVISO: Proteja sus manos con guantes y/o envuelva la cuchilla con una tela gruesa.

4. Remueva el perno de la cuchilla girándolo en el sentido contrario en que giran las manillas del reloj.
5. Remueva la cuchilla y los artículos de ferretería adjuntadores (el perno, la arandela de seguridad y la arandela endurecida).

AVISO: Remueva el adaptador de la cuchilla y revise el cubo interior de la ranura del adaptador de la cuchilla. La ranura tiene que estar en buenas condiciones para que funcione en forma adecuada. Cambie el adaptador si está dañado.

PARA CAMBIAR LA CUCHILLA

1. Ponga el adaptador de la cuchilla en el cigüeñal del motor. Asegúrese que la ranura del adaptador y que el chavetero del cigüeñal estén alineados.

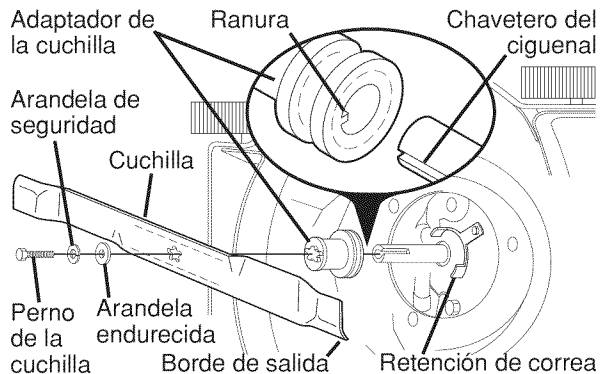
2. Ponga la cuchilla en el adaptador.

IMPORTANTE: Para asegurar la instalación apropiada, posicione el agujero central de la cuchilla con la estrella del conjunto del adaptador.

3. Asegúrese de que el borde de salida de la cuchilla (opuesto al borde afilado) esté hacia arriba hacia el motor.
4. Instale el perno de la cuchilla con la arandela de seguridad y la arandela endurecida en el adaptador de la cuchilla y el cigüeñal.
5. Use un bloque de madera entre la cuchilla y la caja de la segadora y apriete el perno de la cuchilla girándolo en el sentido en que giran las manillas del reloj.

- La torsión para apretar recomendada es de 35 – 40 pies libras.

IMPORTANTE: El perno de la cuchilla es tratado a calor. Si es necesario sustituir los pernos, sustituirlos sólo con pernos aprobados mostrados en la sección Partes de Reparación de este manual.



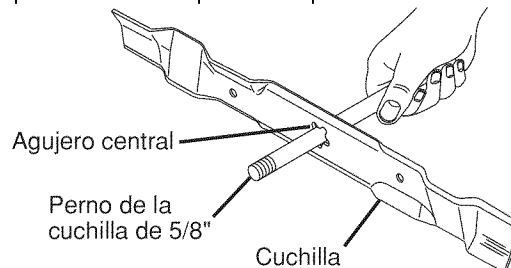
PARA AFILAR LA CUCHILLA

AVISO: No recomendamos el afilar la cuchilla – pero si lo hace, asegúrese de que quede balanceada. Se tiene que tener cuidado de mantenerla balanceada. Una cuchilla que no está balanceada va a producir eventualmente daño en la segadora o en el motor.

- La cuchilla puede afilarse con una lima o en una rueda rectificadora. No trate de afilarla mientras se encuentra en la segadora.
- Para revisar el balance de la cuchilla, va a necesitar un perno de acero de 5/8", una clavija o un balanceador cónico. (Cuando se use un balanceador cónico, siga las instrucciones que vienen con el balanceador.)

AVISO: No use un elavo para balancear la cuchilla. Los lóbulos del agujero central pueden aparecer como centrados, pero no lo están.

- Deslice la cuchilla en una parte no roscada del perno de acero o clavija y sujete el perno o la clavija paralelo al suelo. Si la cuchilla está balanceada, debe permanecer en la posición horizontal. Si cualquiera de los extremos de la cuchilla se mueva hacia abajo, afile el extremo pesado hasta que ésta quede balanceada.



RECOGEDOR DE CÉSPED

- El recogedor de césped puede ser rociado con el agua de la manguera pero tiene que estar seco cuando se vaya a usar.
- Revise su recogedor de césped a menudo para verificar si está dañado o deteriorado. Se va a desgastar con el uso normal. Si se necesita cambiar el recogedor, cámbielo solamente por uno que sea aprobado por el fabricante. Dé el número del modelo de la segadora cuando lo ordene.

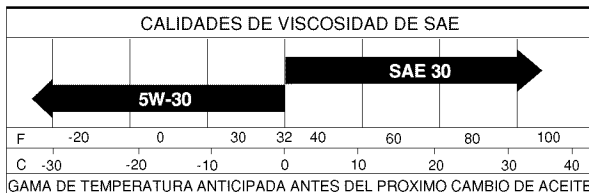
CAJA DE ENGRANAJES

- Para mantener el sistema de impulsión funcionando en forma adecuada, la caja de engranajes y el área alrededor de la impulsión tienen que mantenerse limpias y sin acumulación de basura. Limpie debajo de la cubierta de la impulsión dos veces por temporada.
- La caja de engranajes se llena con lubricante hasta el nivel adecuado en la fábrica. La única vez que el lubricante necesita atención es cuando se le ha prestado servicio a la caja de engranajes.

MOTOR

LUBRICACIÓN

Use solamente aceite de detergente de alta calidad clasificado con la clasificación SG-SL de servicio API. Seleccione la calidad de viscosidad SAE según su temperatura de operación esperada.



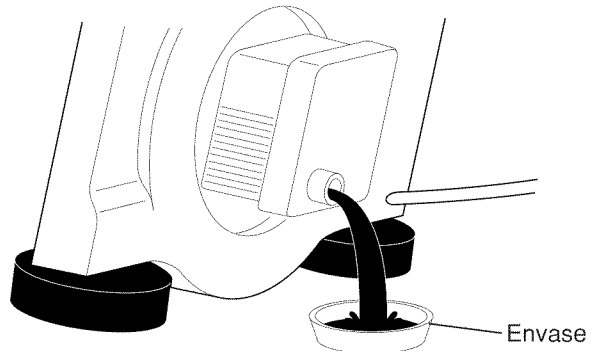
AVISO: A pesar de que los aceites de multi-viscosidad (5W30, 10W30, etc.) mejoran el arranque en clima frío, estos aceites de multi-viscosidad van a aumentar el consumo de aceite cuando se usan en temperaturas sobre 32° F. Revise el nivel del aceite del motor más a menudo, para evitar un posible daño en el motor, debido a que no tiene suficiente aceite. Cambie el aceite después de 25 horas de operación o por lo menos una vez al año si la segadora se utiliza menos 25 horas el año. Revise el nivel del aceite del cárter antes de arrancar el motor y después de cada cinco (5) horas de uso continuado. Apriete el tapón del aceite en forma segura cada vez que revise el nivel del aceite.

PARA CAMBIAR EL ACEITE DEL MOTOR

AVISO: Antes de inclinar la segadora para drenar el aceite, drene el tanque de combustible haciendo correr el motor hasta que el tanque esté vacío.

1. Desconecte el alambre de la bujía y póngalo de modo que no pueda entrar en contacto con ésta.

2. Remueva la tapa del depósito del aceite; déjela a un lado en una superficie limpia.
3. Incline la cortadora de césped por este costado tal como se muestra y purgue el aceite en un recipiente idóneo. Mueva la segadora de atrás para adelante para remover todo el aceite que se haya quedado atrapado dentro del motor.



4. Limpie todo el aceite derramado en la segadora y en el lado del motor.
5. Echar aceite despacio en el conducto del aceite, parándose a intervalos regulares para controlar el nivel del aceite con la varilla.
6. Parar de añadir aceite cuando se alcanza la señal de lleno (FULL) en la varilla. Esperar un minuto para dejar que el aceite se arregle.
7. Continúe agregando cantidades pequeñas de aceite y vuelva a inspeccionar la varilla medidora settles del nivel de aceite en lleno (FULL). NO sobrellene el motor con aceite, o fumará pesa demante del silenciador cuando lo valla a arrancar.
8. Asegúrese de apretar la varilla medidora del aceite antes de arrancar el motor.
9. Vuelva a conectar el alambre de la bujía a ésta.

FILTRO DE AIRE

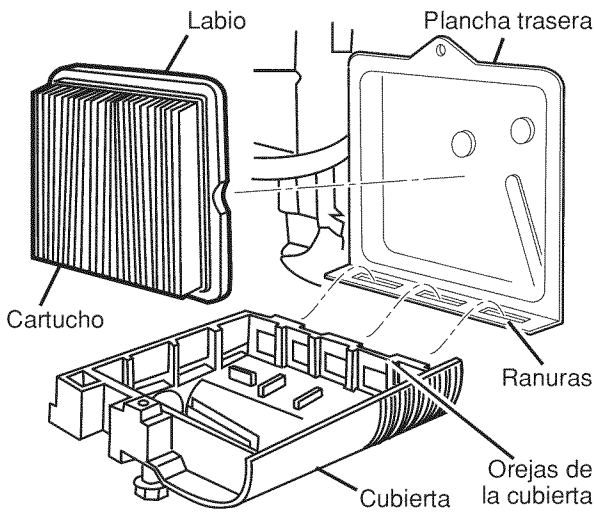
Su motor puede sufrir averías y funcionar de manera incorrecta con un filtro del aire sucio. Sustituir el papel del cartucho una vez al año o tras 100 horas de funcionamiento, más a menudo si se utiliza en condiciones de suciedad y polvo particulares.

PARA LIMPIAR EL FILTRO DE AIRE

1. Suelte el tornillo e incline la cubierta para removerlo.
2. Cuidadosamente, remueva el cartucho.
3. Límpielo golpeándolo suavemente en una superficie plana. Si está muy sucio cambie el cartucho.

⚠PRECAUCIÓN: Los solventes de petróleo, tales como el keroseno, no se deben usar para limpiar el cartucho. Pueden producir el deterioro de éste. No aceite el cartucho. No use aire a presión para limpiarlo o secarlo.

4. Instale el cartucho, luego vuelva a poner la cubierta asegurándose que las orejas estén alineadas con las ranuras en la plancha trasera. Apriete el tornillo en forma segura.



SILENCIADOR

Inspeccione y cambie el silenciador si está corroído puede producir un peligro de incendio y/o daño.

BUJÍA

Cambie el bujía al comienzo de cada temporada de siega o después de cada 100 horas de operación, lo que suceda primero. El tipo de bujía y el ajuste de la abertura aparecen en "ESPECIFICACIONES DEL PRODUCTO" en la sección de Mantenimiento de este manual.

LIMPIEZA

IMPORTANTE: Para obtener el mejor rendimiento, mantenga la caja de la segadora sin acumulación de césped y basura. Limpie la parte de abajo de su segadora después de cada uso.

PRECAUCIÓN: Desconecte el alambre de la bujía y póngalo en donde no pueda entrar en contacto con ésta.

- Haga descansar la segadora en su lado. Asegúrese que el filtro de aire y que el carburador queden mirando hacia arriba. Limpie la parte inferior de su segadora raspándola para remover la acumulación de césped y basura.
- Limpie el motor a menudo para evitar que se acumule la basura. Un motor tapado funciona más caliente y se acorta su duración.
- Mantenga las superficies pulidas y las ruedas sin gasolina, aceite, etc.
- No recomendamos el uso de una manguera de jardín para limpiar la parte exterior del segadora a menos que el sistema eléctrico, el silenciador, el filtro de aire y el carburador estén tapados para evitar que les entre el agua. El agua en el motor puede acortar la duración de éste.

DERRUBIO DEL AGUA

Su cortacésped de césped se equipa de una guarnición que permita la limpieza rápida y fácil del superficie inferior de la cubierta. Para utilizar esta característica, siga de la forma siguiente:

1. Mueva el cortacésped de césped a un área de la hierba cortada o de otra superficie dura.

NOTA: El agua, la hierba y la otra ruina escurrirán debajo de la cubierta del cortacésped durante el proceso del derrubio.

2. Quite el colector de la hierba y descargue el montaje del canal inclinado del cortacésped de césped.
3. Cierre la puerta del mulcher (si está equipado).
4. Conecte una manguera del jardín con la guarnición donde demostrado.

IMPORTANTE: Sea seguro que la manguera del jardín no está encaminada debajo de la cubierta del cortacésped de césped ni que está enredada en las ruedas.

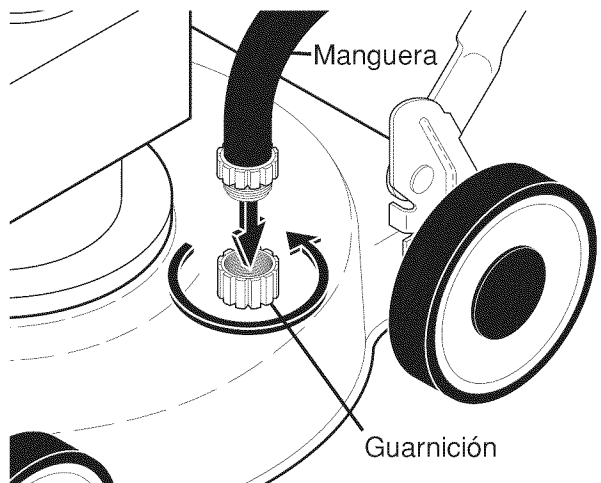
5. Gire el abastecimiento y la comprobación para de agua escapes en la guarnición. Si no hay escapes presentes, encienda el motor (según lo descrito en la sección de la operación de este manual) y deje el motor funcionar hasta que el superficie inferior del cortacésped de césped está limpio.

ADVERTENCIA: No contrate el sistema de impulsión durante el proceso del derrubio.

6. Apague el motor.
7. Apague el abastecimiento de agua y quite la manguera de la guarnición.

PRECAUCIÓN: No quite la manguera de la guarnición mientras que el motor está funcionando. El agua en motor puede dar lugar a vida acortada del motor.

8. Encienda el motor (según lo descrito en la sección de la operación de este manual) y deje el motor funcionar por un minuto completo para quitar exceso de agua del cortacésped.



LIMPIE DEBAJO DE LA CUBIERTA DE LA IMPULSIÓN

Limpie debajo de la cubierta de la impulsión por lo menos dos veces cada temporada. Raspe debajo de la cubierta con un cuchillo para masilla o con una herramienta parecida, para remover toda acumulación de césped o basura en la parte inferior de la cubierta de la impulsión.

SERVICIO Y AJUSTES

ADVERTENCIA: Para evitar lesiones serias, antes de dar cualquier servicio o de hacer ajustes:

1. Suelte la barra de control y pare el motor.
2. Asegúrese que la cuchilla y que todas las partes móviles se hayan detenido completamente.
3. Desconecte el alambre de la bujía y póngalo en donde no pueda entrar en contacto con ésta.

SEGADORA

PARA AJUSTAR LA ALTURA DE CORTE

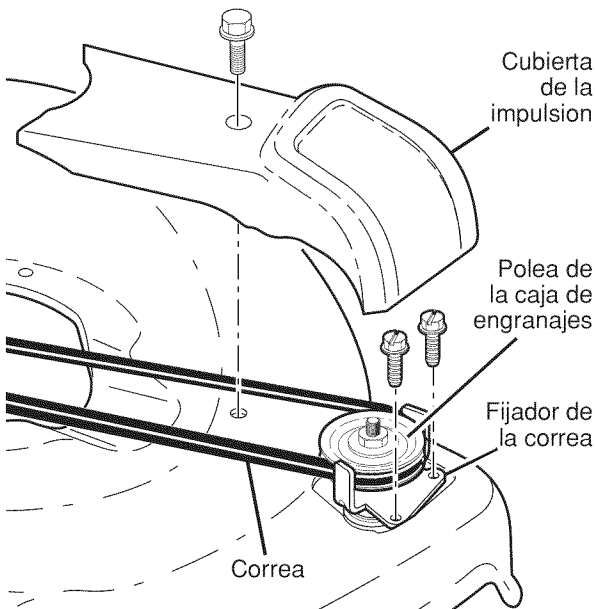
Vea "PARA AJUSTAR LA ALTURA DE CORTE" en la sección de Operación de este manual.

DESVIADOR TRASERO

Se proporciona un desviador trasero, adjunto entre las ruedas traseras de su segadora, para reducir a un mínimo la posibilidad que objetos sean lanzados hacia afuera de la parte trasera de la segadora, en la posición en donde se encuentra el operador. Si se daña el desviador debe cambiarse.

PARA REMOVER CORREA DE IMPULSIÓN

1. Remueva la cubierta de la impulsión y fijador de la correa.
2. Remueva la correa en la polea de la caja de engranajes.
3. Haga descansar la segadora en su lado con el filtro de aire y el carburador mirando hacia arriba.
4. Remueva la cuchilla y la adaptador de la cuchilla.
5. Remueva la correa del polea del motor.

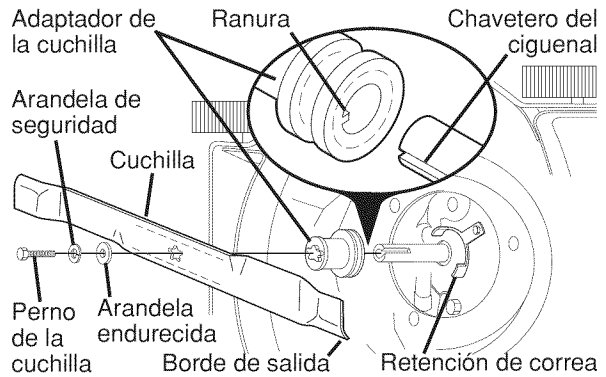


PARA CAMBIAR CORREA DE IMPULSIÓN

1. Instale la nueva correa de mando en la polea del motor y el estribo de la retención de correa.
2. Colocar la otra extremidad de la nueva correa de mando a través del orificio en el bastidor.
3. Reinstale la adaptador de la cuchilla y cuchilla.
4. Vuelva la segadora a la posición vertical.
5. Instale la correa nueva en la polea de la caja de engranajes.

6. Reinstale la fijador de la correa y cubierta de la impulsión.

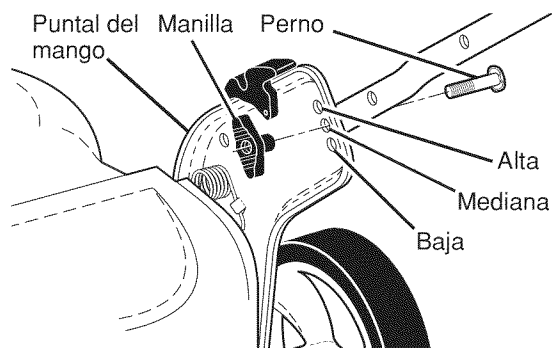
NOTA: Siempre use la correa aprobada por la fábrica para asegurarse que calce y dure.



PARA AJUSTAR EL MANGO

El mango de su segadora cuenta con tres (3) posiciones de altura – ajústelo a la altura que le acomode.

1. Remueva la manilla y el perno portador en un lado del mango inferior.
2. Al mismo tiempo que sujeta el conjunto del mango, remueva la manilla y el perno portador del lado opuesto, alinee el agujero en el mango con el agujero deseado en el puntal del mango y vuelva a montar el perno y la manilla y apriételes en forma segura.
3. Alinee el lado opuesto del mango con el agujero de la misma posición y asegúrelos con el perno y la manilla.



MOTOR

VELOCIDAD DEL MOTOR

La velocidad del motor ha sido ajustada en la fábrica. No trate de aumentar la velocidad del motor pues se pueden producir lesiones personales. Si cree que el motor está funcionando demasiado rápido o demasiado lento, lleve su segadora a mas con su centro de servicio Sears o con un otro centro de servicio cualificado.

CARBURADOR

Su carburador tiene un chorro principal fijo no ajustable para controlar la mezcla. Si su motor no está funcionando en forma adecuada

debido a problemas que se sospecha vienen del carburador, lleve su segadora a contacto con su centro de servicio Sears o con un otro centro de servicio cualificado para repararla y/o ajustarla.

IMPORTANTE: Nunca manipule el regulador del motor, el que ha sido ajustado en la fábrica para la velocidad del motor adecuada. Puede ser peligroso hacer funcionar el motor a una velocidad por sobre el ajuste de alta velocidad de la fábrica. Si cree que la velocidad alta regulada del motor necesita ajuste, contacto con su centro de servicio Sears o con un otro centro de servicio cualificado, el que cuenta con el equipo adecuado y la experiencia para hacer los ajustes necesarios.

ALMACENAMIENTO

Inmediatamente prepare su segadora para el almacenamiento al final de cada temporada o si la unidad no se va a usar por 30 días o más.

SEGADORA

Cuando se va a guardar la segadora por cierto período de tiempo, límpiela cuidadosamente, remueva toda la mugre, la grasa, las hojas, etc. Guárdela en un área limpia y seca.

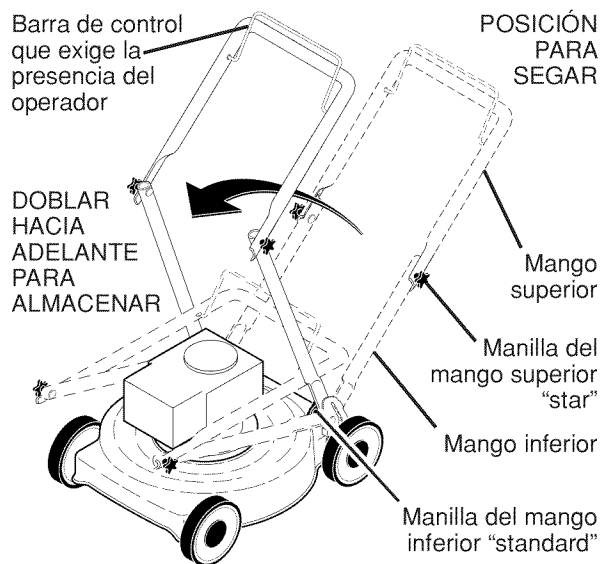
1. Limpie toda la segadora (Vea "LIMPIEZA" en la sección de Mantenimiento de este manual).
2. Lubríquela según se muestra en la sección de Mantenimiento de este manual.
3. Asegúrese de que todas las tuercas y clavijas y todos los pernos y tornillos estén apretados en forma segura. Inspeccione las partes que se mueven para verificar si están dañadas, quebradas o desgastadas. Cámbielas si es necesario.
4. Retoque todas las superficies que estén oxidadas o con la pintura picada; use una lija antes de pintar.

MANGO

Puede doblar el mango de su segadora para el almacenamiento.

1. Suelte las dos manillas del mango "star" en cada lado del mango superior y permita que el mango se doble hacia atras.
 2. Suelte las dos manillas del mango "standard" en ambos lados del mango inferior y pivote el conjunto entero del mango hacia delante y permita le que se descansa sobre la segadora.
 3. Vuelva a poner las manillas "standard" y los pernos al mango inferior o a los puntales del mango para la seguridad.
- Cuando prepare su mango a partir de la posición de almacenamiento, el mango inferior nesecitara cerrarlo manualmente para la posición de sega.

IMPORTANTE: Cuando doble el mango para el almacenamiento o el transporte, asegúrese que lo doble según se muestra o puede dañar los cables de control.



MOTOR

SISTEMA DE COMBUSTIBLE

IMPORTANTE: Es importante evitar que se formen depositos de coma en partes fundamentales del sistemade combustible tales como el carburador, el filtro del combustible, la mangura del combustible o en el estanque durante el almacenamiento. Los combustibles mezclados con alcohol (conocido come gasohol o que tienen etanol o metanol) Pueden atraer humedad, lo que conduce a la separacion y a la formación de acidos durante el almacenamiento. La gasolina acida puede danar el sistema de combustible de un motor durante el periodo de almacenamiento.

- Vaciar el depósito del carburante poniendo en marcha el motor y dejándolo funcionar hasta que el carburante termine y el carburador esté vacío.
- Nunca use los productos para limpieza del carburador o del motor en el estanque de combustible pues se pueden producir daños permanentes.
- Use combustible nuevo la próxima temporada.

AVISO: El estabilizador de combustible es una alternativa aceptable para reducir a un mínimo la formación de depósitos de goma en el combustible durante el período de almacenamiento. Agregue estabilizador a la gasolina en el estanque de combustible o en el envase para el almacenamiento. Siempre siga la proporción de mezcla que se encuentra en el envase del estabilizador. Haga funcionar el motor por lo menos 10 minutos después de agregar el estabilizador, para permitir que este llegue al carburador. No drene la gasolina del estanque de gasolina y el carburador si se está usando estabilizador de combustible.

AVISO: El sistema tapón del carburante y cartucho *FRESH START™* gotea automáticamente un preservador concentrado de carburante en el depósito del carburante y es una aceptable alternativa a añadir un estabilizador de carburante.

ACEITE DEL MOTOR

Drene el aceite (con el motor caliente) y cámbielo con aceite de motor limpio. (Vea "MOTOR" en la sección de Mantenimiento de este manual.)

CILINDRO

1. Remueva la bujía.
2. Vacíe una onza (29 ml) de aceite a través del agujero de la bujía en el cilindro.
3. Tire la manilla de arranque lentamente unas cuantas veces para distribuir el aceite.
4. Vuelva a montar la nueva bujía.

OTROS

- No guarde la gasolina de una temporada a la otra.
- Cambie el envase de la gasolina si se empieza a oxidar. La oxidación y/o la mugre en su gasolina producirán problemas.
- Si es posible, guarde su unidad en un recinto cerrado y cúbrala para protegerla contra el polvo y la mugre.
- Cubra su unidad con un forro protector adecuado que no retenga la humedad. No use plástico. El plástico no puede respirar, lo que permite la formación de condensación, lo que producirá la oxidación de su unidad.

IMPORTANTE: Nunca cubra la segadora mientras el motor y las áreas de escape todavía están calientes.

PRECAUCIÓN: Nunca almacene la segadora con gasolina en el estanque dentro de un edificio en donde los gases pueden alcanzar una llama expuesta o una chispa. Permita que se enfríe el motor antes de almacenarla en algún recinto cerrado.

SOLUCIÓN DE PROBLEMAS - Vea la sección apropiada en el manual amenos que esté dirigido a un centro de servicio Sears.

PROBLEMA	CAUSA	CORRECCIÓN
No arranca	<ol style="list-style-type: none"> 1. Filtro de aire sucio. 2. Sin combustible. 3. Combustible rancio. 4. Agua en el combustible. 5. Alambre de la bujía desconectado. 6. Bujía mala. 7. Cuchilla suelta o adaptador de la cuchilla quebrado. 8. Barra de control en la posición suelta. 9. Barra de control defectuosa. 10. Válvula del combustible (si equipada) está en la posición OFF. 11. Batería débil (si equipada). 12. Desconecte el conector de la batería (si equipada). 13. Fusible quemado. 	<ol style="list-style-type: none"> 1. Limpie/cambie el filtro de aire. 2. Llene el estanque de combustible. 3. Vaciar el estanque y vuelva a llenarlo con combustible limpio y nuevo. 4. Vaciar el estanque y vuelva a llenarlo con combustible limpio y nuevo. 5. Conecte el alambre a la bujía. 6. Cambie la bujía. 7. Apriete el perno de la cuchilla cambie el adaptador de la cuchilla. 8. Presione la barra de control hacia el mango. 9. Cambie la barra de control. 10. Gire a la válvula del combustible a la posición ON. 11. Cague la batería. 12. Conecte la batería al motor. 13. Cambie el fusible.

SOLUCIÓN DE PROBLEMAS - Vea la sección apropiada en el manual amenos que esté dirigido a un centro de servicio Sears.

PROBLEMA	CAUSA	CORRECCIÓN
Falta de fuerza	<ol style="list-style-type: none"> 1. Cuchilla desgastada, doblada o suelta. 2. Altura de las ruedas dispareja. 3. Velocidad del motor lenta. 4. Acumulación de césped, hojas o basura debajo de la segadora. 5. Demasiado aceite en motor. 6. Velocidad de recorrido demasiado rápida. 	<ol style="list-style-type: none"> 1. Eleve la altura de corte. 2. Eleve la altura de corte. 3. Limpie/cambie el filtro de aire. 4. Limpie la parte inferior de la caja de la segadora. 5. Revise el nivel del aceite. 6. Corte a una velocidad de recorrido más lenta.
Mal corte-disparejo	<ol style="list-style-type: none"> 1. Cuchilla desgastada, doblada o suelta. 2. Altura de las ruedas dispareja. 3. Acumulación de césped, hojas o basura debajo de la segadora. 	<ol style="list-style-type: none"> 1. Cambie la cuchilla. Apriete el perno de la cuchilla. 2. Ajuste todas las ruedas a la misma altura. 3. Limpie la parte inferior de la caja de la segadora.
Vibración excesiva	<ol style="list-style-type: none"> 1. Cuchilla desgastada, doblada o suelta. 2. Cigüeñal del motor doblado. 	<ol style="list-style-type: none"> 1. Cambie la cuchilla. Apriete el perno de la cuchilla. 2. Póngase en contacto con su centro de servicio Sears o con un otro centro de servicio cualificado.
Cordón arrancador difícil de tirar	<ol style="list-style-type: none"> 1. El freno del volante del motor está aplicado cuando se suelta la barra de control. 2. Cigüeñal del motor doblado. 3. Adaptador de la cuchilla quebrado. 4. La cuchilla se arrastra en el césped. 	<ol style="list-style-type: none"> 1. Presione la barra de control hacia el mango superior antes de tirar el cordón arrancador. 2. Póngase en contacto con su centro de servicio Sears o con un otro centro de servicio cualificado. 3. Cambie el adaptador de la cuchilla. 4. Mueva la segadora a un lugar en donde el césped ha sido cortado o a una superficie firme para hacer arrancar el motor.
Recogedor de césped no se llena (si viene equipado)	<ol style="list-style-type: none"> 1. Altura de corte demasiado baja. 2. Levantamiento de la cuchilla desgastado. 3. Recogedor sin ventilación de aire. 	<ol style="list-style-type: none"> 1. Eleve la altura de corte. 2. Cambie las cuchillas. 3. Limpie el recogedor de césped.
Difícil de empujar	<ol style="list-style-type: none"> 1. El césped está demasiado alto o la altura de la rueda demasiado baja. 2. Parte trasera de la caja/cuchilla de la segadora arrastrándose en el césped. 3. Recogedor de césped demasiado lleno. 4. Posición de la altura del mango no adecuada para usted. 	<ol style="list-style-type: none"> 1. Eleve la altura de corte. 2. Eleve la parte trasera de la caja de la segadora (1) un lugar más alto. 3. Vacíe el recogedor de césped. 4. Ajuste la altura del mango de modo que le acomode.
Pérdida de impulsión o retardase de la velocidad	<ol style="list-style-type: none"> 1. Desgaste de la correa. 2. La correa está fuera de la polea. 3. Cable de la impulsión usado o roto. 4. El sistema de control del mecanismo impulsor "suelto". 	<ol style="list-style-type: none"> 1. Revise/cambie correa de impulsión. 2. Revise/vuelva a instalar la 3. Cambie el cable de la impulsión. 4. Ajuste el control del mecanismo impulsor.

CRAFTSMAN ROTARY LAWN MOWER - - MODEL NUMBER 917.370432

KEY NO.	PART NO.	DESCRIPTION	KEY NO.	PART NO.	DESCRIPTION	KEY NO.	PART NO.	DESCRIPTION
1	427615X479	Upper Handle	33	432642	Mulcher Door			#13 x 3/4
2	438385	Cable, Engine Zone Control / Rear Door Prop	34	419946X615	Pivot Bracket	57	155377	Nut, Hex 3/8-16
3	429930X004	Bracket, Upstop	35	431140	Kit, Wheel Adjuster, Rear, RH	58	437517X479	Bar, Handle, Lower
4	145006	Guide, Cable	36	175735	Hinge Bracket Assembly	59	191574	Handle Bolt
6	182398	Handle Knob, Star	38	419942X428	Discharge Deflector	62	431913X004	Belt Retainer
7	178848	Screw #10-16 x 5/8	39	581353703	Handle Bracket, LH	63	178848	Screw #10-16 x 5/8
8	427612X428	Control Bar	40	581353603	Handle Bracket, RH	64	- - -	Engine, Briggs & Stratton, Model Number 126M02-1525-F1 (See Breakdown)
9	421084	Rear Door Assembly	41	150406	Screw, Dogpoint 3/8-16 x 1-1/8			
11	425575	Hairpin, Door/Handle Pivot	42	193000	Spring, Torsion			
12	189713X428	Handle Knob, Standard	43	191730	Nut, Hex, Nylock	65	197480	O-Ring
13	437516	Plug, Lower Handle Bar	44	446429	Kit, Lawn Mower Housing	68	431141	Kit, Wheel Adjuster, Rear, LH
17	427120X428	Rear Baffle	45	175650	Rod, Hinge	83	750097	Screw, Hex Washer Head
18	581912601	T-Knob	46	581473301	Blade Adapter / Pulley	84	428124	Fastener, Push
19	581902101	Rope Guide	47	421825	Blade, 22"	85	429801X004	Mounting Bracket, Skirt
20	429157	Rear Skirt	48	851074	Washer, Hardened	96	197991	Clip, Cable
21	419949	Spring, Rear Door, LH, Black	49	850263	Washer, Helical	--	586015196	Owner's Manual, English/Spanish
22	141841	Screw, Panhead, Torx #20	50	851084	Screw, Machine, Hex Head 3/8-24 x 1-3/8 Grade 8			
24	419948	Spring, Rear Door, RH, Grey	51	430599	Front Baffle			Available accessories not included with mower:
25	409149	Nut, Hex, Flanged	52	404763	Decal, Danger	--	71 33623	Gas Can (2.5 Gallon Container)
26	419945	Screw, Door/Handle Pivot	53	17000510	Screw, Hex Head	--	71 33500	Fuel Stabilizer
27	431880X460	Wheel & Tire Assembly, Rear	54	88348	Washer, Flat	--	71 33000	SAE 30W Oil (20 Ounce Bottle)
28	72270505	Bolt, Carriage 5/16-18 x 5/8	55	191730	Nut, Hex, Flanged 1/4-20			
31	701037	Selector Knob	56	17411312	Screw, Hex Washer Head			
32	419944X007	Latch, Mulcher Door						

NOTE: All component dimensions given in U.S. inches. 1 inch = 25.4 mm.

IMPORTANT: Use only Original Equipment Manufacturer (O.E.M.) replacement parts. Failure to do so could be hazardous, damage your lawn mower and void your warranty.

CRAFTSMAN ROTARY LAWN MOWER - - MODEL NUMBER 917.370432

43

KEY NO.	PART NO.	DESCRIPTION	KEY NO.	PART NO.	DESCRIPTION
1	439452	Cable, Drive Control	32	443262	Drive Pulley
7	194185X615	Control Bar, Drive	33	196853	V-Belt
11	194231X460	Wheel & Tire Assembly, Front	35	581497904	Wheel Adjuster Assembly, Front, LH (Includes Bearing)
12	12000058	E-Ring			
13	403849	Pinion	36	424741	Gear Case Assembly, Complete
14	581840401	Dust Cover	38	191730	Locknut, Hex 1/4-20
15	404845	Pawl, Drive	40	406558	Spring
16	67725	Washer, Flat 3/8	41	581497903	Wheel Adjuster Assembly, Front, RH (Includes Bearing)
18	701037	Selector Knob			
25	430458X004	Belt Keeper	54	580947303	Grassbag
26	163409	Screw, Hi-Lo Thread #12 x 5/8	57	446432	Frame, Grassbag
27	175262	Screw, Pan Head, Self-Tapping #10-24 x 2-3/4	80	421114	Water Washout Assembly
28	423322	Drive Cover	81	419735	Fitting, Water Washout
29	409148	Locknut, Hex	82	415585	Washer, Lock, Internal Tooth
			83	415586	Locknut, Hex, with O-Ring

NOTE: All component dimensions given in U.S. inches. 1 inch = 25.4 mm.

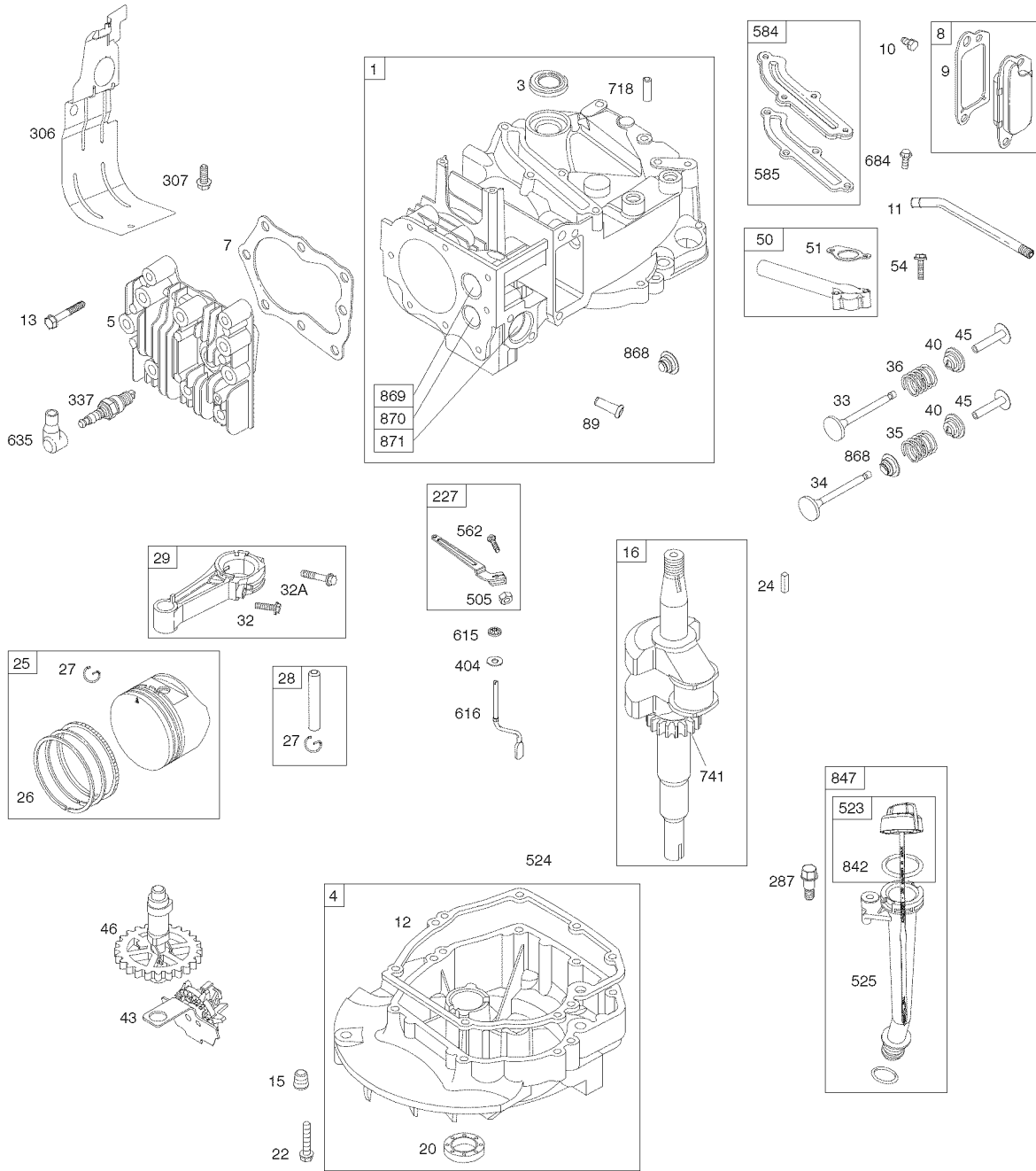
IMPORTANT: Use only Original Equipment Manufacturer (O.E.M.) replacement parts. Failure to do so could be hazardous, damage your lawn mower and void your warranty.

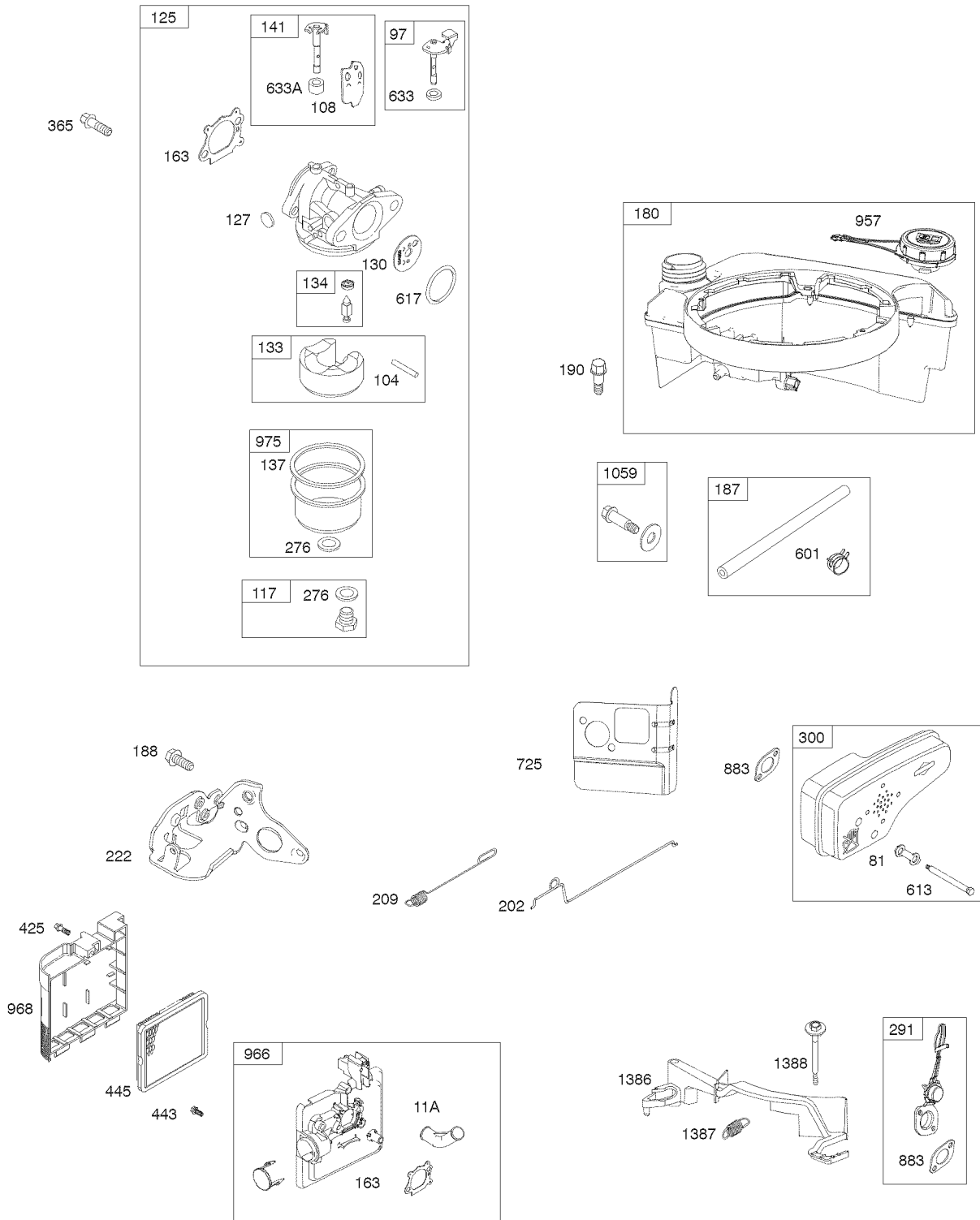
48 SHORT BLOCK

1058 OPERATOR'S MANUAL

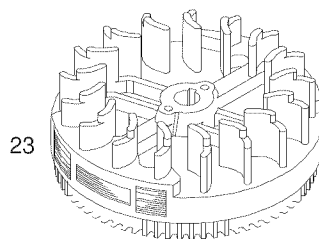
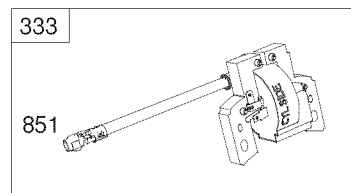
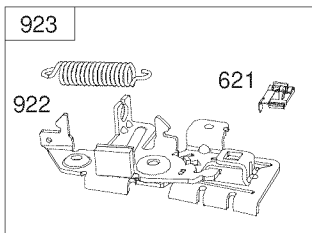
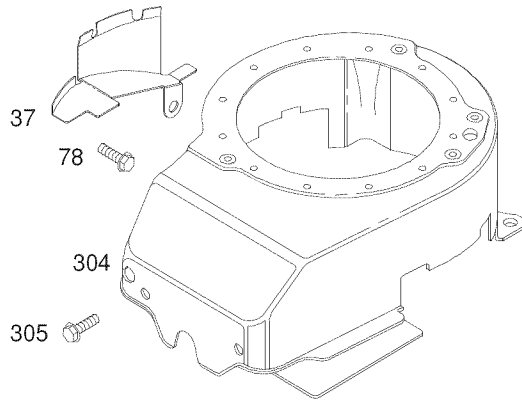
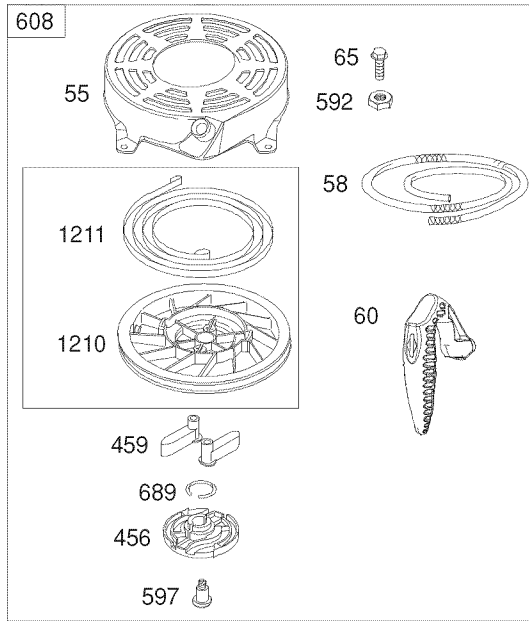
1329 REPLACEMENT ENGINE

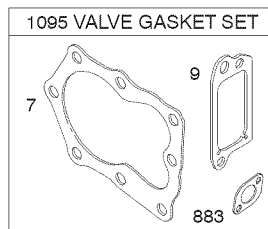
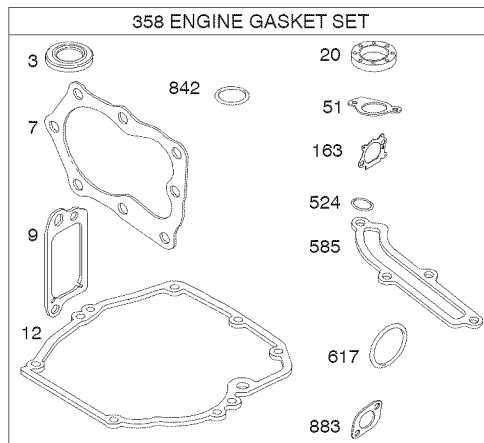
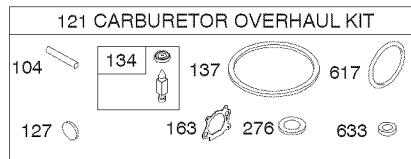
1330 REPAIR MANUAL





1036 EMISSIONS LABEL





Engine Power Rating Information

The gross power rating for individual gas engine models is labeled in accordance with SAE (Society of Automotive Engineers) code J11940 (Small Engine Power & Torque Rating Procedure), and rating performance has been obtained and corrected in accordance with SAE J1995 (Revision 2002-5). Actual gross engine power will be lower and is affected by, among other things, ambient operating conditions and engine-to-engine variability. Given both the wide array of products on which engines are placed and the variety of environmental issues applicable to operating the equipment, the gas engine will not develop the rated gross power when used in a given piece of power equipment (actual “on-site” or net horsepower). This difference is due to a variety of factors including, but not limited to, accessories (air cleaner, exhaust, charging, cooling, carburetor, fuel pump, etc.), application limitations, ambient operating conditions (temperature, humidity, altitude), and engine-to-engine variability. Due to manufacturing and capacity limitations, Briggs & Stratton may substitute an engine of higher rated power for this Series engine.

KEY NO.	PART NO.	DESCRIPTION	KEY NO.	PART NO.	DESCRIPTION
1	590401	Cylinder Assembly	48	792741	Short Block
3	299819s	Seal-Oil (Magneto Side)	50	794305	Manifold-Intake
4	493279	Sump-Engine	51	794306	Gasket-Intake
5	590411	Head-Cylinder	54	691650	Screw (Intake Manifold)
7	799875	Gasket-Cylinder Head	55	691421	Housing-Rewind Starter
8	590395	Breather Assembly	58	697316	Rope-Starter
9	699472	Gasket-Breather	60	795426	Grip-Starter Rope
10	691125	Screw (Breather Assembly)	65	690837	Screw (Rewind Starter)
11	691781	Tube-Breather	78	691108	Screw (Flywheel Guard)
11A	691923	Tube-Breather (Air Cleaner Primer Base)	81	691740	Lock-Muffler Screw
12	692232	Gasket-Crankcase	89	692348	Plug-Oil (Cylinder)
13	590422	Screw (Cylinder Head)	97	696565	Shaft-Throttle
15	691680	Plug-Oil Drain	104	797622	Pin-Float Hinge
16	797017	Crankshaft	108	795935	Valve-Choke
20	399781s	Seal-Oil (PTO Side)	109	795936	Shaft-Choke
22	691092	Screw (Crankcase Cover/Sump)	117	590440	Jet-Main (Standard)
23	691987	Flywheel	121	498260	Kit-Carburetor Overhaul
24	222698s	Key-Flywheel	125	799866	Carburetor
25	590404	Piston Assembly (Standard)	127	694468	Plug-Welch
	590405	Piston Assembly (.020" Oversize)	130	696564	Valve-Throttle
26	590402	Ring Set (Standard)	133	398187	Float-Carburetor
	590403	Ring Set (.020" Oversize)	134	398188	Kit-Needle/Seat
27	691588	Lock-Piston Pin	137	796610	Gasket-Float Bowl
28	298909	Pin-Piston	141	796193	Kit-Choke Shaft
29	797306	Rod-Connecting	163	795629	Gasket-Air Cleaner
32	691664	Screw (Connecting Rod) (1/4-28 x 1.09)	180	590490	Tank-Fuel
32A	695759	Screw (Connecting Rod) (1/4-28 x 1.52)	187	791766	Line-Fuel (Cut To Required Length)
33	590394	Valve-Exhaust	188	693999	Screw (Control Bracket)
34	590393	Valve-Intake	190	690940	Screw (Fuel Tank)
35	691270	Spring-Valve (Intake)	202	691829	Link-Mechanical Governor
36	691270	Spring-Valve (Exhaust)	209	699056	Spring-Governor (No Color)
37	793756	Guard-Flywheel	222	793754	Bracket-Control
40	692194	Retainer-Valve	227	690783	Lever-Governor Control
43	691997	Slinger-Governor/Oil	276	271716	Washer-Sealing
45	690548	Tappet-Valve	287	690940	Screw (Dipstick Tube)
46	691449	Camshaft	291	790830	Thermostat
			300	790828	Muffler
			304	790826	Housing-Blower
			305	691108	Screw (Blower Housing)
			306	790836	Shield-Cylinder
			307	690345	Screw (Cylinder Shield)

KEY NO.	PART NO.	DESCRIPTION	KEY NO.	PART NO.	DESCRIPTION
332	690662	Nut (Flywheel)	718	690959	Pin-Locating
333	590454	Armature-Magneto	725	590460	Shield-Heat
334	691061	Screw (Magneto Armature)	741	797521	Gear-Timing
337	591040	Plug-Spark	745	691648	Screw (Brake)
	33459	Plug-Spark (MRS)	842	691031	Seal-O Ring (Dipstick Tube)
356	692390	Wire-Stop	847	692047	Dipstick/Tube Assembly
358	590508	Gasket Set-Engine	851	493880s	Terminal-Spark Plug
365	691688	Screw (Carburetor)	868	697338	Seal-Valve
404	690272	Washer (Governor Crank)	869	691155	Seat-Valve (Intake)
425	690670	Screw (Air Cleaner Cover)	870	690380	Seat-Valve (Exhaust)
443	692523	Screw (Air Cleaner Primer Base)	871	590409	Bushing-Valve Guide
445	491588s	Filter-Air Cleaner Cartridge	883	691881	Gasket-Exhaust
455	791960	Cup-Flywheel	922	692135	Spring-Brake
456	692299	Plate-Pawl Friction	923	796136	Brake
459	281505s	Pawl-Ratchet	957	591003	Cap-Fuel Tank
505	691251	Nut (Governor Control Lever)	966	795259	Base-Air Cleaner Primer
523	499621	Dipstick	968	692298	Cover-Air Cleaner
524	692296	Seal- Dipstick Tube	975	796611	Bowl-Fuel
525	495265	Tube-Dipstick	1036	- - -	Label-Emissions (Available from any Briggs & Stratton Authorized Dealer)
562	691119	Bolt (Governor Control Lever)			
584	697734	Cover-Breather Passage	1058	277039	Operator's Manual
585	691879	Gasket (Breather Passage)	1059	692311	Kit-Screw/Washer (Fuel Tank)
592	690800	Nut (Rewind Starter)	1095	590507	Gasket Set-Valve
597	691696	Screw (Pawl Friction Plate)	1210	498144	Pulley/Spring Assembly (Pulley)
601	791850	Clamp-Hose (Green)			
608	497680	Starter-Rewind	1211	498144	Pulley/Spring Assembly (Spring)
613	790833	Screw (Muffler)			
615	690340	Retainer-Governor Shaft	1329	126T02-1625-B1	Replacement Engine
616	698801	Crank-Governor	1330	270962	Repair Manual
617	270344s	Seal-O Ring (Intake Manifold)	1386	790848	Vane-Air
			1387	790849	Spring-Air Vane
621	692310	Switch-Stop (Brake)	1388	790850	Screw (Air Vane)
633	691321	Seal-Choke/Throttle Shaft (Throttle Shaft)	- -	398067	Spark Arrester (available accessory)
633A	693867	Seal-Choke/Throttle Shaft (Choke Shaft)			
635	66538s	Boot-Spark Plug			Carburetor Overhaul Kit – Key Number 121
684	690345	Screw (Breather Passage Cover)			Engine Gasket Set – Key Number 358
					Valve Gasket Set – Key Number 1095
689	691855	Spring-Friction			

NOTE: All component dimensions given in U.S. inches. 1 inch = 25.4 mm

SERVICE NOTES

NOTAS SERVICIO



Product questions or problems?

1-888-331-4569

Customer Care Hot Line

**Get answers to questions, troubleshoot problems,
order parts, or schedule repair service.**

Para respuestas a preguntas o problemas, y ordenar
piezas o pedir servicio para la reparación de su equipo.

To help us help you, register your product at www.craftsman.com/registration

Para poderte ayudar mejor, registra tu producto en www.craftsman.com/registration

Join the Craftsman Club today!



www.craftsman.com/signup

**Receive exclusive member benefits including special pricing and offers,
project sharing, expert advice, and SHOP YOUR WAY REWARDS!**

Como miembro exclusivo, recibe diversos beneficios como ofertas, precios especiales, proyectos nuevos, consejos de expertos y nuestro programa de puntos SHOP YOUR WAY REWARDS!

© Registered Trademark / TM Trademark of KCD IP, LLC in the United States, or Sears Brands, LLC in other countries
© Marca Registrada / TM Marca de Fábrica de KCD IP, LLC en Estados Unidos, o Sears Brands, LLC in otros países

Free Manuals Download Website

<http://myh66.com>

<http://usermanuals.us>

<http://www.somanuals.com>

<http://www.4manuals.cc>

<http://www.manual-lib.com>

<http://www.404manual.com>

<http://www.luxmanual.com>

<http://aubethermostatmanual.com>

Golf course search by state

<http://golfingnear.com>

Email search by domain

<http://emailbydomain.com>

Auto manuals search

<http://auto.somanuals.com>

TV manuals search

<http://tv.somanuals.com>