

**SEARS**

# **CRAFTSMAN**®

**MODEL NUMBER 917.373680 OWNER'S MANUAL**

**3one™**  
Convertible



- Assembly
- Operation
- Customer Responsibilities
- Service
- Adjustments
- Repair Parts

**Caution:**  
Read and Follow  
all Safety Rules  
and Instructions  
Before Operating  
This Equipment

# SAFETY RULES



**CAUTION: ALWAYS DISCONNECT SPARK PLUG WIRE AND PLACE WIRE WHERE IT CANNOT CONTACT SPARK PLUG TO PREVENT ACCIDENTAL STARTING WHEN SETTING UP, TRANSPORTING, ADJUSTING OR MAKING REPAIRS.**



## IMPORTANT

**SAFETY STANDARDS REQUIRE OPERATOR PRESENCE CONTROLS TO MINIMIZE THE RISK OF INJURY. YOUR UNIT IS EQUIPPED WITH SUCH CONTROLS. DO NOT ATTEMPT TO DEFEAT THE FUNCTION OF THE OPERATOR PRESENCE CONTROLS UNDER ANY CIRCUMSTANCES.**

### TRAINING:

- Read this operator's manual carefully. Become familiar with the controls and know how to operate your mower properly. Learn how to quickly stop mower.
- Do not allow children to use your mower. Never allow adults to use mower without proper instructions.
- Keep the area of operation clear of all persons, especially small children and pets.
- Use mower only as the manufacturer intended and as described in this manual.
- Do not operate mower if it has been dropped or damaged in any manner. Always have damage repaired before using your mower.
- Do not use accessory attachments that are not recommended by the manufacturer. Use of such attachments may be hazardous.
- The blade turns when the engine is running.

### PREPARATION:

- Always thoroughly check the area to be mowed and clear it of all stones, sticks, wires, bones, and other foreign objects. These objects will be thrown by the blade and can cause severe injury.
- Always wear safety glasses or eye shields when starting and while using your mower.
- Dress properly. Do not operate mower when barefoot or wearing open sandals. Wear only solid shoes with good traction when mowing.
- Check fuel tank before starting engine. Do not fill gas tank indoors, when the engine is running or when the engine is hot. Allow the engine to cool for several minutes before filling the gas tank. Clean off any spilled gasoline before starting the engine.
- Always make wheel height adjustments before starting your mower. Never attempt to do this while the engine is running.
- Mow only in daylight or good artificial light.

### OPERATION:

- Keep your eyes and mind on your mower and the area being cut. Do not let other interests distract you.
- Do not mow wet or slippery grass. Never run while operating your mower. Always be sure of your footing - keep a firm hold on the handles and walk.
- Do not put hands or feet near or under rotating parts. Keep clear of the discharge opening at all times.

- Always stop the engine whenever you leave or are not using your mower, or before crossing driveways, walks, roads, and any gravel-covered areas.
- Never direct discharge of material toward bystanders nor allow anyone near the mower while you are operating it.
- Before cleaning, inspecting, or repairing your mower, stop the engine and make absolutely sure the blade and all moving parts have stopped. Then disconnect the spark plug wire and keep it away from the spark plug to prevent accidental starting.
- Do not continue to run your mower if you hit a foreign object. Follow the procedure outlined above, then repair any damage before restarting and operating you mower.
- Do not change the governor settings or overspeed the engine. Engine damage or personal injury may result.
- Do not operate your mower if it vibrates abnormally. Excessive vibration is an indication of damage; stop the engine, safely check for the cause of vibration and repair as required.
- Do not run the engine indoors. Exhaust fumes are dangerous.
- Never cut grass by pulling the mower towards you. Mow across the face of slopes, never up and down or you might lose your footing. Do not mow excessively steep slopes. Use caution when operating the mower on uneven terrain or when changing directions - maintain good footing.
- Never operate your mower without proper guards, plates, grass catcher or other safety devices in place.

### MAINTENANCE AND STORAGE:

- Check the blade and the engine mounting bolts often to be sure they are tightened properly.
- Check all bolts, nuts and screws at frequent intervals for proper tightness to be sure mower is in safe working condition.
- Keep all safety devices in place and working.
- To reduce fire hazard, keep the engine free of grass, leaves or excessive grease and oil.
- Check grass catcher often for deterioration and wear and replace worn bags. Use only replacement bags that are recommended by and comply with specifications of the manufacturer of your mower.
- Always keep a sharp blade on your mower.
- Allow engine to cool before storing in any enclosure.
- Never store mower with fuel in the tank inside a building where fumes may reach an open flame or an ignition source such as a hot water heater, space heater, clothes dryer, etc.



**LOOK FOR THIS SYMBOL TO POINT OUT IMPORTANT SAFETY PRECAUTIONS. IT MEANS - ATTENTION!!! BECOME ALERT!!! YOUR SAFETY IS INVOLVED.**

**CONGRATULATIONS** on your purchase of a Sears Craftsman Lawn Mower. It has been designed, engineered and manufactured to give you the best possible dependability and performance.

Should you experience any problems you cannot easily remedy, please contact your nearest Sears Service Center/Department. Sears has competent, well trained technicians and the proper tools to service or repair this unit.

Please read and retain this manual. The instructions will enable you to assemble and maintain your lawn mower properly. Always observe the "SAFETY RULES".

MODEL  
NUMBER 917.373680

SERIAL  
NUMBER \_\_\_\_\_

DATE OF  
PURCHASE \_\_\_\_\_

THE MODEL AND SERIAL NUMBERS WILL BE FOUND ON A DECAL ATTACHED TO THE REAR OF THE LAWN MOWER HOUSING.

YOU SHOULD RECORD BOTH SERIAL NUMBER AND DATE OF PURCHASE AND KEEP IN A SAFE PLACE FOR FUTURE REFERENCE.

## PRODUCT SPECIFICATIONS

HORSEPOWER:	5.3
DISPLACEMENT:	12.0 cu. in.
GASOLINE CAPACITY:	1.25 quart (Unleaded)
OIL (20 oz. Capacity):	SAE 30 (Above 32°F) 5W30 (Below 32°F)
SPARK PLUG (GAP .030 in.): (0.76 mm)	Champion RJ19LM or Sears <sup>Z1</sup> 33312 or STD 361458
VALVE CLEARANCE: Intake:	.008 in.
Exhaust:	.008 in.
SOLID STATE IGNITION AIR GAP:	.0125 in.
BLADE BOLT TORQUE:	35-40 ft.-lbs.

## MAINTENANCE AGREEMENT

A Sears Maintenance Agreement is available on this product. Contact your nearest Sears store for details.

## CUSTOMER RESPONSIBILITIES

- Read and observe the safety rules.
- Follow a regular schedule in maintaining, caring for and using your lawn mower.
- Follow the instructions under "Customer Responsibilities" and "Storage" sections of this Owner's Manual.

## LIMITED TWO YEAR WARRANTY ON CRAFTSMAN POWER MOWER

For two years from date of purchase, when this Craftsman Lawn Mower is maintained, lubricated, and tuned up according to the operating and maintenance instructions in the owner's manual, Sears will repair free of charge any defect in material or workmanship.

If this Craftsman Lawn Mower is used for commercial or rental purposes, this warranty applies for only 90 days from the date of purchase.

This Warranty does not cover:

- Expendable items which become worn during normal use, such as rotary mower blades, blade adapters, belts, air cleaners and spark plug.
- Repairs necessary because of operator abuse or negligence, including bent crankshafts and the failure to maintain the equipment according to the instructions contained in the owner's manual.

WARRANTY SERVICE IS AVAILABLE BY RETURNING THE CRAFTSMAN POWER MOWER TO THE NEAREST SEARS SERVICE CENTER/DEPARTMENT IN THE UNITED STATES. THIS WARRANTY APPLIES ONLY WHILE THIS PRODUCT IS IN USE IN THE UNITED STATES.

This Warranty gives you specific legal rights, and you may also have other rights which vary from state to state.

SEARS, ROEBUCK AND CO., D/817 WA, HOFFMAN ESTATES, ILLINOIS 60179

# TABLE OF CONTENTS

SAFETY RULES .....	2
PRODUCT SPECIFICATIONS .....	3
CUSTOMER RESPONSIBILITIES .....	3, 12-14
WARRANTY .....	3
LAWN MOWER ACCESSORIES .....	5
ASSEMBLY .....	6
OPERATION .....	8

SERVICE AND ADJUSTMENTS .....	15
STORAGE .....	17
TROUBLESHOOTING .....	18
REPAIR PARTS - LAWN MOWER .....	19-23
REPAIR PARTS - ENGINE .....	24-26
PARTS ORDERING/SERVICE . BACK COVER	

## INDEX

<b>A</b>	
Accessories .....	5
Adjustments:	
Carburetor .....	16
Handle Height .....	16
Height of Cut .....	9
Air Filter:	
Service .....	14
Assembly:	
Handle .....	6
Grass Catcher .....	7
<b>B</b>	
Blade:	
Sharpening .....	13
Replacement .....	13
<b>C</b>	
Controls:	
Operator Presence Control Bar ..	8
Drive Control .....	8
Customer Responsibilities .....	3, 12-14
Air Filter .....	14
Blade Care/Replacement .....	13
Drive Wheels .....	13
Engine .....	14
Gear Case .....	13
Lubrication .....	14
Spark Plug .....	14
<b>E</b>	
Engine:	
Oil Change .....	14
Oil Level .....	14
Oil Type .....	14
Starting .....	10
Storage .....	17







<b>F</b>	
Fuel:	
Type .....	10
Storage .....	17
<b>H</b>	
Handle:	
Adjustment .....	16
Assembly .....	6
<b>L</b>	
Lubrication:	
Engine .....	12
Brake Spring Bracket .....	12
Rear Door Hinge .....	12
Handle Bracket Mounting Pin ..	12
Wheel Adjuster .....	12
<b>M</b>	
Maintenance Agreement .....	3
Maintenance Schedule .....	12
Mowing Tips .....	11
Mulching/Mowing Tips .....	11
<b>O</b>	
Oil:	
Engine .....	10
Storage .....	17
Operation:	
Operating Lawn Mower .....	9
Drive Control .....	9
Operator Presence Control Bar .....	8
Options:	
Attachments .....	5

<b>P</b>	
Repair Parts	
Lawn Mower .....	19-23
Engine .....	24-26
<b>R</b>	
Responsibilities, Customer .....	3, 12-14
<b>S</b>	
Safety Rules .....	2
Service and Adjustments:	
Carburetor .....	16
Drive Belt .....	15
Engine Speed .....	16
Handle .....	16
Spark Plug .....	14
Specifications .....	3
Starting the Engine .....	10
Stopping the Engine .....	10
Storage .....	17
<b>T</b>	
Trouble Shooting Chart .....	18
<b>W</b>	
Warranty .....	3
Wheels:	
Wheel Adjusters .....	8



# LAWN MOWER ACCESSORIES

These accessories were available when this lawn mower was produced. They are also available at most Sears retail outlets, catalog and service centers. Most Sears stores can also order repair parts for you, when you provide the model number of your lawn mower. Some of these accessories may not apply to your lawn mower.


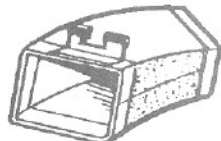

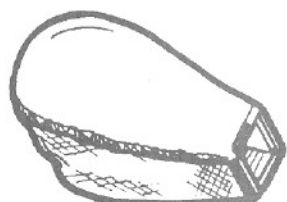
## ENGINE

<p><b>SPARK PLUG</b></p> 	<p><b>MUFFLER</b></p> 	<p><b>AIR FILTER</b></p> 	<p><b>GAS CAN</b></p> 	<p><b>ENGINE OIL</b></p> 	<p><b>STABILIZER</b></p> 
--	---	--	--	--	--

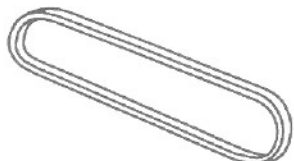
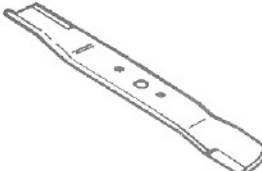
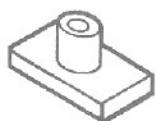


If lawn mower is an electric start

<p><b>CHARGER</b></p> 	<p><b>BATTERY</b></p> 
--	---

## LAWN MOWER PERFORMANCE

<p><b>REAR BAG OPTIONAL</b></p>	<p><b>DUST SHIELD</b></p> 	<p><b>CLIPPING DEFLECTOR</b></p> 	
<p><b>REPLACEMENT BAG FOR REAR DISCHARGE LAWN MOWERS</b></p>	<p><b>FABRIC BAG</b></p> 	<p><b>OPTIONAL CATCHER FOR SIDE DISCHARGE LAWN MOWER</b></p>	<p><b>SIDE DISCHARGE CATCHER</b></p> 

## LAWN MOWER MAINTENANCE

<p><b>BELT</b></p> 	<p><b>BLADE</b></p> 	<p><b>BLADE ADAPTER</b></p> 	<p><b>WHEELS</b></p> 	<p><b>LAWN MOWER COVER</b></p> 
--	---	---	--	--

# ASSEMBLY

Read these instructions and the Operator's Manual in its entirety before you attempt to assemble or operate your new lawn mower. Your new lawn mower has been assembled at the factory with the exception of those parts left unassembled for shipping purposes. All parts such as nuts, washers, bolts, etc., necessary to complete the assembly have been placed in the parts bag. To ensure safe and proper operation of your lawn mower, all parts and hardware you assemble must be tightened securely. Use the correct tools as necessary to ensure proper tightness.

## TO REMOVE LAWN MOWER FROM CARTON

- Remove loose parts included with mower.
- Cut down two end corners of carton and lay end panel down flat.
- Remove all packing materials except padding between upper and lower handle and padding holding operator presence control bar to upper handle.
- Roll lawn mower out of carton and check carton thoroughly for additional loose parts.

## HOW TO SET UP YOUR LAWN MOWER

### TO UNFOLD HANDLE (See Fig. 1)

**IMPORTANT:** UNFOLD HANDLES CAREFULLY SO AS NOT TO PINCH OR DAMAGE CONTROL CABLES.

- Raise handles until lower handle section locks into place in mowing position.
- Raise upper handle section into place on lower handle, remove protective padding and tighten both handle knobs.
- Remove handle padding holding operator presence control bar to upper handle.
- Your lawn mower handle can be adjusted for your mowing comfort. Refer to "Adjust Handle" in the Service and Adjustment section of this manual.

### TO INSTALL ATTACHMENTS (See Fig. 2)

Your lawn mower was shipped ready to be used as a mulcher. To convert to bagging or discharging:

- Open rear door and remove mulcher plate. Store mulcher plate in a safe place.
- You can now install catcher or optional clipping deflector.
- To return to mulching operation, install mulcher plate into discharge opening of mower. Be sure all tabs are seated properly.

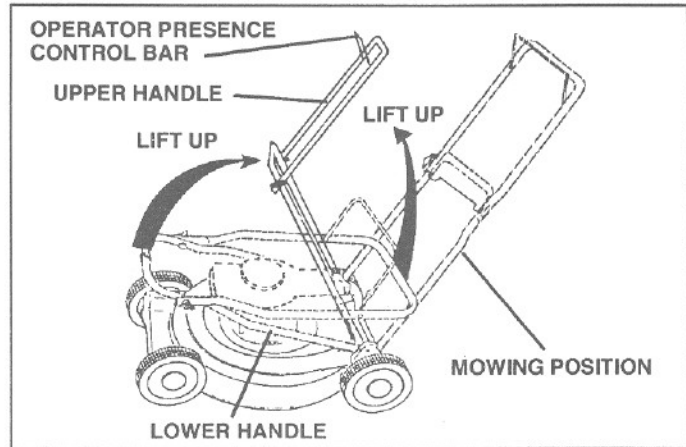


FIG. 1

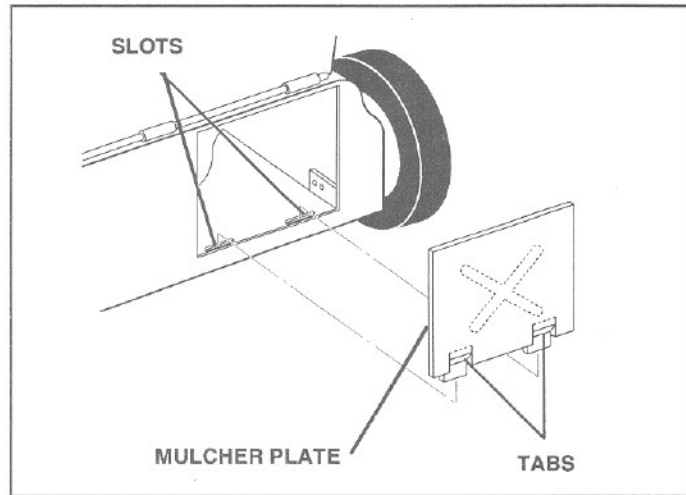


FIG. 2



**CAUTION:** Do not run your lawn mower without mulcher plate in place or approved clipping deflector or grass catcher in place. Never attempt to operate the lawn mower with the rear door removed or propped open.

# ASSEMBLY

## TO ASSEMBLE & ATTACH GRASS CATCHER (See Figs. 3 & 4)

- Put grass catcher frame into grass bag with rigid part of bag on the bottom. Make sure the frame handle is outside of the bag top.
- Slip vinyl bindings over frame.

**NOTE:** If vinyl bindings are too stiff, hold them in warm water for a few minutes. If bag gets wet, let it dry before using.

- Lift the rear door of the lawn mower and place the grass catcher frame side hooks onto the handle bracket hooks.
- The grass catcher is secured to the lawn mower housing when the rear door is lowered onto the grass catcher frame.

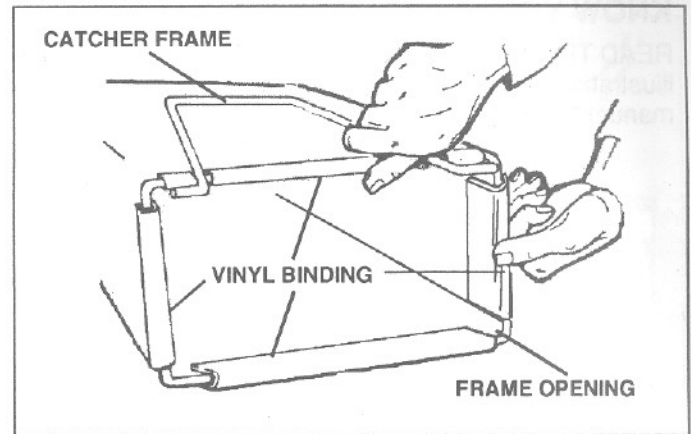


FIG. 3

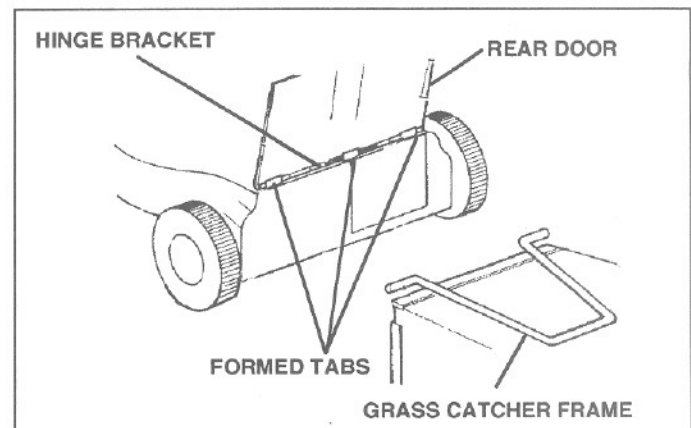


FIG. 4

# OPERATION

## KNOW YOUR LAWN MOWER

READ THIS OWNER'S MANUAL AND SAFETY RULES BEFORE OPERATING YOUR LAWN MOWER. Compare the illustrations with your lawn mower to familiarize yourself with the location of various controls and adjustments. Save this manual for future reference.

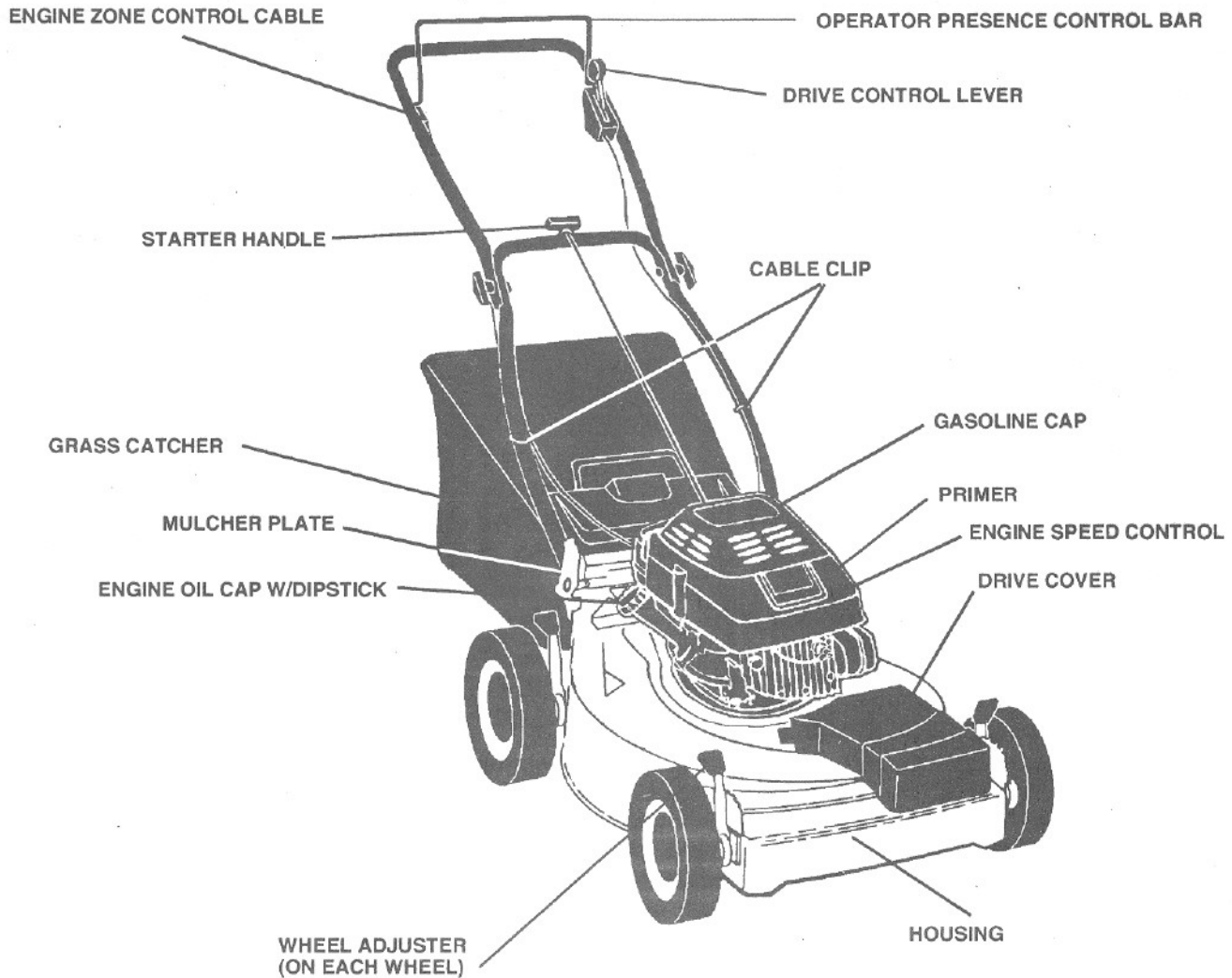


FIG. 5

## MEETS CPSC SAFETY REQUIREMENTS

Sears rotary walk-behind power lawn mowers conform to the safety standards of the American National Standards Institute and the U.S. Consumer Product Safety Commission. The blade turns when the engine is running.

**OPERATOR PRESENCE CONTROL** - must be held down to the handle to start the engine. Release to stop the engine.

**PRIMER** - pumps additional fuel from the carburetor to the cylinder for use when starting a cold engine.

**STARTER HANDLE** - used for starting the engine.

**DRIVE CONTROL LEVER** - used to engage power-propelled forward motion of lawn mower.

**ENGINE SPEED CONTROL** - located on the side of the engine which allows you to select either fast (⚡) or slow (🐢) engine speed.

**MULCHER PLATE** - Located at the discharge opening must be removed when converting to bagging or discharging operation.



# OPERATION

## HOW TO USE YOUR LAWN MOWER ENGINE SPEED (See Fig. 6)

The engine speed is controlled by a lever (red knob) located on the side of the engine. Fast (☛) position is for starting the engine, normal cutting, and better grass bagging. Slow (☜) position is for light cutting, trimming and fuel economy.

## ENGINE ZONE CONTROL



**CAUTION:** Federal regulations require an engine control to be installed on this lawn mower in order to minimize the risk of blade contact injury. Do not under any circumstances attempt to defeat the function of the operator control. The blade turns when the engine is running.

- Your lawn mower is equipped with an operator presence control bar which requires the operator to be positioned behind the lawn mower handle to start and operate the lawn mower.

## DRIVE CONTROL (See Fig. 7)

- Self-propelling is controlled by holding the operator presence control bar down to the handle and pushing the drive control lever forward until it clicks; then release the lever.
- Forward motion will stop when the operator presence control bar is released. To stop forward motion without stopping engine, release the operator presence control bar slightly until the drive control disengages. Hold operator presence control bar down to handle to continue mowing without self-propelling.
- To keep drive control engaged when turning corners, push down on handle and lift front wheels off ground while turning lawn mower.

## TO ADJUST CUTTING HEIGHT (See Fig. 8)

- Raise wheels for low cut and lower wheels for high cut.
- Wheels are set in low cut for shipping. Adjust cutting height to suit your requirements. Medium position is best for most lawns.
- To change cutting height, squeeze adjuster lever toward wheel. Move wheel up or down to suit your requirements. Be sure all wheels are in the same setting.

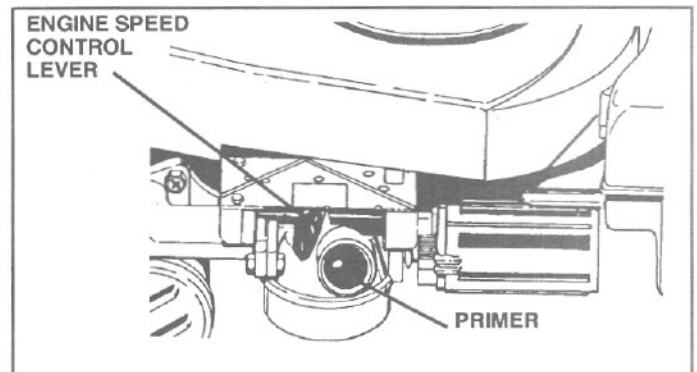


FIG. 6

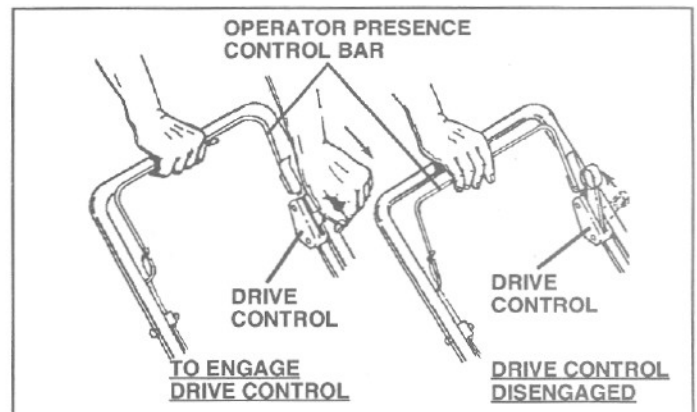


FIG. 7

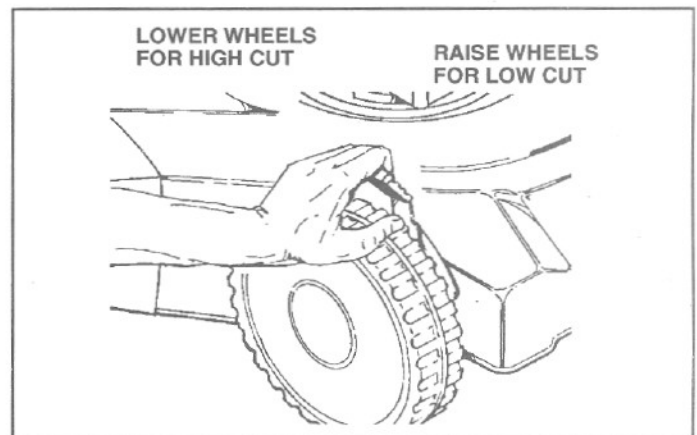


FIG. 8

# OPERATION

## TO EMPTY GRASS CATCHER (See Fig. 9)

- Simply lift up rear door and remove the grass catcher by the handle.

**NOTE:** Do not drag the bag when emptying; it will cause unnecessary wear.

## BEFORE STARTING ENGINE OIL (See Fig. 10)

Your lawn mower is shipped without oil in the engine.

- Be sure mower is level and area around oil fill is clean.
- Remove engine oil cap w/dipstick and fill to the full line on the dipstick.
- Use 20 ozs. of oil. For type and grade of oil to use, see "ENGINE" in Customer Responsibilities section of this manual.
- Pour oil slowly. Do not over fill.
- Check oil level before each use. Add oil if needed. Fill to full line on dipstick.
- To read proper level, tighten engine oil cap each time.
- Reinstall engine oil cap and tighten.
- After the first two (2) hours of mowing, change the oil, and every 25 hours thereafter. You may need to change the oil more often under dusty, dirty conditions.

## GAS (See Fig. 10)

- Fill gasoline tank with fresh, clean, unleaded gasoline. **DO NOT USE PREMIUM GASOLINE. BE CAREFUL NOT TO OVER FILL TANK.**

**WARNING:** Experience indicates that alcohol blended fuels (called gasohol or using ethanol or methanol) can attract moisture which leads to separation and formation of acids during storage. Acidic gas can damage the fuel system of an engine while in storage. To avoid engine problems, the fuel system should be emptied before storage of 30 days or longer. Drain the fuel tank, start the engine and let it run until fuel lines and carburetor are empty. Use fresh fuel next season. See Storage Instructions for additional information. Never use engine or carburetor cleaner products in fuel tank or permanent damage may occur.

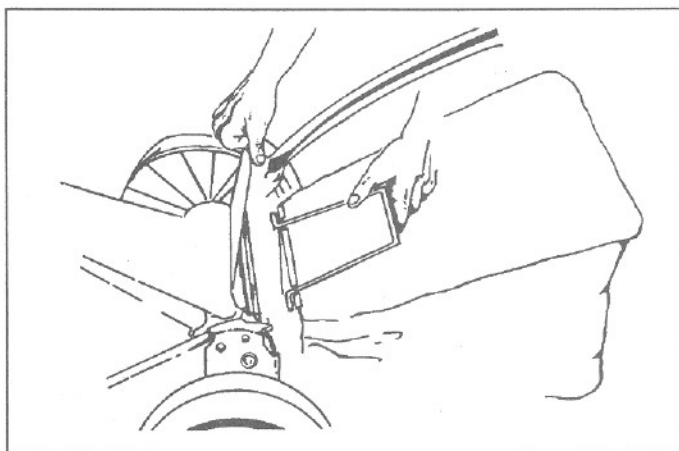


FIG. 9

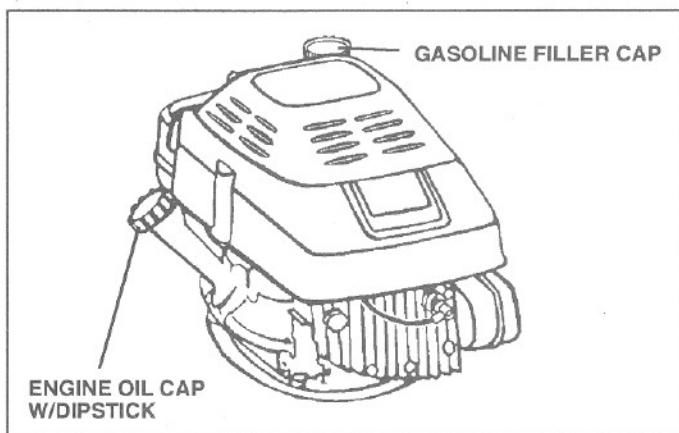


FIG. 10

## TO START ENGINE

- To start a cold engine, push primer five (5) times before trying to start. Use a firm push. This step is not usually necessary when starting an engine which has already run for a few minutes.
- Push engine speed control lever to fast (⚡) position.
- Hold operator presence control bar down to the handle and pull starter handle quickly. Do not allow starter rope to snap back.
- To stop engine, release operator presence control bar.

**NOTE:** In cooler weather it may be necessary to repeat priming steps. In warmer weather over priming may cause flooding and engine will not start. If you do flood engine, wait a few minutes before attempting to start and do not repeat priming steps.

# OPERATION

## MOWING TIPS

- Under certain conditions, such as very tall grass, it may be necessary to raise the height of cut to reduce pushing effort and to keep from overloading the engine and leaving clumps of grass clippings.
- For extremely heavy cutting, reduce the width of cut by overlapping previously cut path and mow slowly.
- For better grass bagging and most cutting conditions, the engine speed should be set in the fast (↻) position.
- When using a rear discharge lawn mower in moist, heavy grass, clumps of cut grass may not enter the grass catcher. Reduce ground speed (pushing speed) and/or run the lawn mower over the area a second time.
- If a trail of clippings is left on the right side of a rear discharge mower, mow in a clockwise direction with a small overlap to collect the clippings on the next pass.
- Pores in cloth grass catchers can become filled with dirt and dust with use and catchers will collect less grass. To prevent this, regularly hose catcher off with water and let dry before using.
- Keep top of engine around starter clear and clean of grass clippings and chaff. This will help engine air flow and extend engine life.

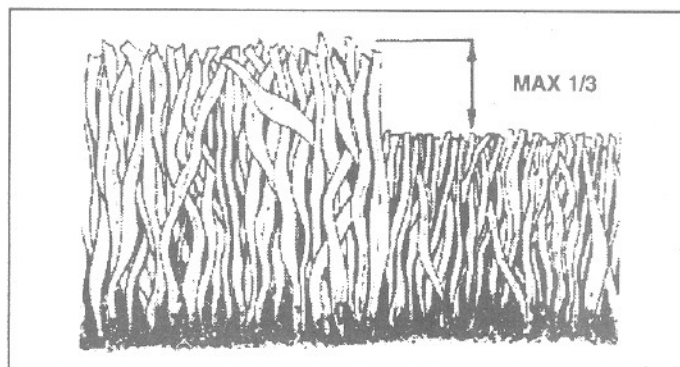


FIG. 11

## MULCHING MOWING TIPS

**IMPORTANT:** FOR BEST PERFORMANCE, KEEP MOWER HOUSING FREE OF BUILT-UP GRASS AND TRASH. SEE "CLEANING" IN CUSTOMER RESPONSIBILITIES SECTION OF THIS MANUAL.

- The special mulching blade will recut the grass clippings many times and reduce them in size so that as they fall onto the lawn they will disperse into the grass and not be noticed. Also, the mulched grass will biodegrade quickly to provide nutrients for the lawn. Always mulch with your highest engine (blade) speed as this will provide the best recutting action of the blades.
- Avoid cutting your lawn when it is wet. Wet grass tends to form clumps and interferes with the mulching action. The best time to mow your lawn is the early afternoon. At this time the grass has dried and the newly cut area will not be exposed to the direct sun.
- For best results, adjust the lawn mower cutting height so that the lawn mower cuts off only the top one-third of the grass blades (See Fig. 11). If the lawn is overgrown it will be necessary to raise the height of cut to reduce pushing effort and to keep from overloading the engine and leaving clumps of mulched grass. For extremely heavy mulching, reduce your width of cut by overlapping previously cut path and mow slowly.
- Certain types of grass and grass conditions may require that an area be mulched a second time to completely hide the clippings. When doing a second cut, mow across or perpendicular to the first cut path.
- Change your cutting pattern from week to week. Mow north to south one week then change to east to west the next week. This will help prevent matting and graining of the lawn.

# CUSTOMER RESPONSIBILITIES

## MAINTENANCE SCHEDULE

FILL IN DATES  
AS YOU COMPLETE  
REGULAR SERVICE

		BEFORE EACH USE	AFTER EACH USE	FIRST 2 HOURS	EVERY 5 HOURS	EVERY 25 HOURS	EVERY SEASON	BEFORE STORAGE	SERVICE DATES					
M O W E R	Check for Loose Fasteners	✓						✓						
	Clean/Inspect Grass Catcher (If Equipped)	✓	✓					✓						
	Clean Lawn Mower		✓					✓						
	Inspect/Clean Drive Wheels (Self-Propelled Mowers)	✓			✓									
	Sharpen/Replace Mower Blade					✓ <sup>3</sup>								
	Lubrication Chart				✓		✓							
	Clean Battery/Recharge (Electric Start Mowers)				✓		✓ <sup>4</sup>							
E N G I N E	Check Engine Oil Level	✓		✓										
	Change Engine Oil			✓	✓ <sup>1,2</sup>									
	Clean Air Filter				✓ <sup>2</sup>									
	Inspect Muffler				✓									
	Replace Spark Plug						✓							
	Replace Air Filter Paper Cartridge						✓ <sup>2</sup>							

- 1 - Change more often when operating under a heavy load or in high ambient temperatures.
- 2 - Service more often when operating in dirty or dusty conditions.
- 3 - Replace blades more often when mowing in sandy soil.
- 4 - Charge 48 hours at end of season.

## GENERAL RECOMMENDATIONS

The warranty on this lawn mower does not cover items that have been subjected to operator abuse or negligence. To receive full value from the warranty, operator must maintain mower as instructed in this manual.

Some adjustments will need to be made periodically to properly maintain your unit.

All adjustments in the Service and Adjustments section of this manual should be checked at least once each season.

- Once a year, replace the spark plug, replace air filter element and check blade for wear. A new spark plug and clean/new air filter element assures proper air-fuel mixture and helps your engine run better and last longer.
- Follow the maintenance schedule in this manual.

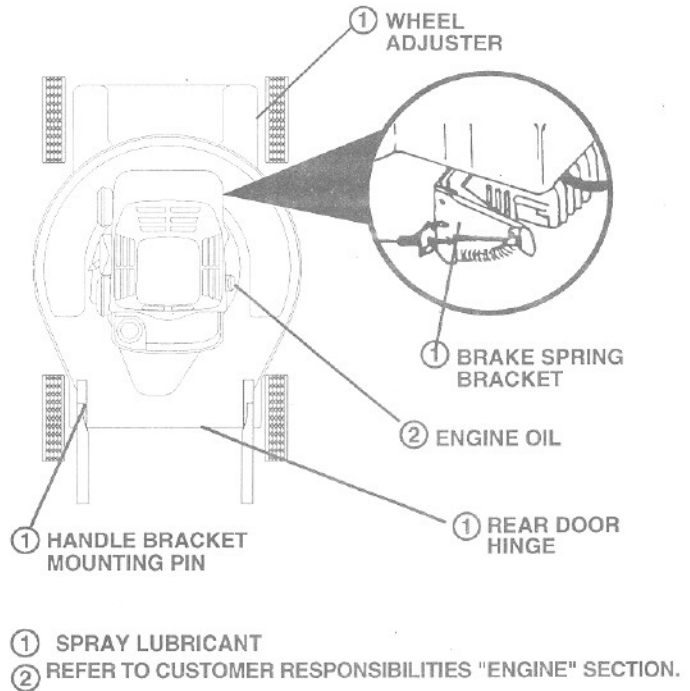
## BEFORE EACH USE

- Check engine oil level.
- Check for loose fasteners.

## LUBRICATION

Keep unit well lubricated (See "LUBRICATION CHART").

## LUBRICATION CHART



**IMPORTANT:** DO NOT OIL OR GREASE PLASTIC WHEEL BEARINGS. VISCOUS LUBRICANTS WILL ATTRACT DUST AND DIRT THAT WILL SHORTEN THE LIFE OF THE SELF LUBRICATING BEARINGS. IF YOU FEEL THEY MUST BE LUBRICATED, USE ONLY A DRY, POWDERED GRAPHITE TYPE LUBRICANT SPARINGLY.

# CUSTOMER RESPONSIBILITIES

## LAWN MOWER

Always observe safety rules when performing any maintenance.

### TIRES

- Keep tires free of gasoline, oil, or insect control chemicals which can harm rubber.
- Avoid stumps, stones, deep ruts, sharp objects and other hazards that may cause tire damage.

### BLADE CARE

For best results, mower blade must be kept sharp. Replace bent or damaged blades.

#### TO REMOVE BLADE (See Fig. 12)

- Disconnect spark plug wire from spark plug and place wire where it cannot come in contact with spark plug.
- Turn lawn mower on its side. Make sure air filter and carburetor are up.
- Use a wood block between blade and mower housing to prevent blade from turning when removing blade bolt.
- Protect your hands with gloves and/or wrap blade with heavy cloth.
- Remove blade bolt by turning counter-clockwise. Use a 9/16" box or open-end wrench.
- Remove blade and attaching hardware (bolt, lock washer and hardened washer).

**NOTE:** Remove the blade adapter and check the key inside hub of blade adapter. The key must be in good condition to work properly. Replace adapter if damaged.

#### TO REPLACE BLADE (See Fig. 12)

- Position the blade adapter on the engine crankshaft. Be sure key in adapter and crankshaft keyway are aligned.
- Position blade on the blade adapter aligning the two (2) holes in the blade with the raised lugs on the adapter.
- Be sure the trailing edge of blade (opposite sharp edge) is up toward the engine.
- Install the blade bolt with the lock washer and hardened washer into blade adapter and crankshaft.
- Use block of wood between blade and lawn mower housing and tighten the blade bolt, turning clockwise.
- The recommended tightening torque is 35-40 ft. lbs.

**IMPORTANT:** BLADE BOLT IS GRADE 8 HEAT TREATED.

**NOTE:** We do not recommend sharpening blade - but if you do, be sure the blade is balanced.

#### TO SHARPEN BLADE

Care should be taken to keep the blade balanced. An unbalanced blade will cause eventual damage to lawn mower or engine.

- The blade can be sharpened with a file or on a grinding wheel. Do not attempt to sharpen while on the mower.
- To check blade balance, drive a nail into a beam or wall. Leave about one inch of the straight nail exposed. Place center hole of blade over the head of the nail. If blade is balanced, it should remain in a horizontal position. If either end of the blade moves downward, sharpen the heavy end until the blade is

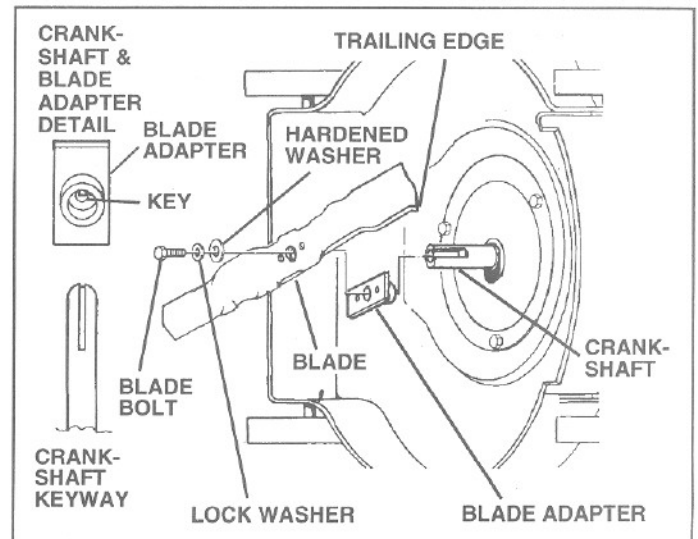


FIG. 12

### GEAR CASE

- To keep your drive system working properly, the gear case and area around the drive should be kept clean and free of trash build-up. Clean under the drive cover twice a season.
- The gear case is filled with lubricant to the proper level at the factory. The only time the lubricant needs attention is if service has been performed on the gear case.
- If lubricant is required, use only Texaco Starplex Premium Grease, part no. 750355. Do not substitute.

### DRIVE WHEELS

Check front drive wheels each time before you mow to be sure they move freely.

The wheels not turning freely means trash, grass cuttings, etc. are in the drive wheel area and must be cleaned to free drive wheels.

If necessary to clean the drive wheels, check both front wheels.

- Remove hubcaps, hairpin cotters and washers.
- Remove wheels from wheel adjusters.
- Remove any trash or grass cuttings from inside the dust cover, pinion and/or drive wheel gear teeth.
- Put wheels back in place.
- If after cleaning, the drive wheels do not turn freely, contact your nearest authorized service center.

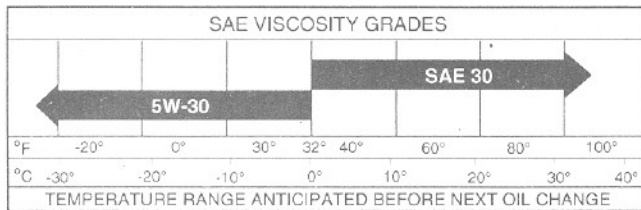
### GRASS CATCHER

- The grass catcher may be hosed with water, but must be dry when used.
- Check your grass catcher often for damage or deterioration. Through normal use it will wear. If catcher needs replacing, replace only with a manufacturer approved replacement catcher. Give the lawn mower model number when ordering.

# CUSTOMER RESPONSIBILITIES

## ENGINE LUBRICATION

Use only high quality detergent oil rated with API service classification SG. Select the oil's SAE viscosity grade according to your expected operating temperature.



**NOTE:** Although multi-viscosity oils (5W30, 10W30 etc.) improve starting in cold weather, these multi-viscosity oils will result in increased oil consumption when used above 32°F. Check your engine oil level more frequently to avoid possible engine damage from running low on oil.

Change the oil after the first two hours of operation and every 25 hours thereafter or at least once a year if the lawn mower is not used for 25 hours in one year.

Check the crankcase oil level before starting the engine and after each five (5) hours of continuous use. Tighten oil plug securely each time you check the oil level.

### TO CHANGE ENGINE OIL (See Fig. 13)

- Disconnect spark plug wire from spark plug and place wire where it cannot come in contact with spark plug.
- Remove engine oil cap; lay aside on a clean surface.
- Tip lawn mower on its side and drain oil into a suitable container. Rock lawn mower back and forth to remove any oil trapped inside of engine.
- Wipe off any spilled oil on lawn mower and on side of engine.
- Fill engine with oil. Fill only to the "FULL" line on the dipstick. **DO NOT OVER FILL.**
- Replace engine oil cap.
- Reconnect spark plug wire to spark plug.

## AIR FILTER

Your engine will not run properly and may be damaged by using a dirty air filter.

Replace the air filter every year, more often if you mow in very dusty, dirty conditions. Do not wash air filter.

### TO CHANGE AIR FILTER (See Fig. 14)

- Remove the air filter cover by turning counterclockwise to the stop and pull away from collar.
- Remove filter from inside of cover.
- Clean the inside of the cover and the collar to remove any dirt accumulation.
- Insert new filter into cover.
- Put air filter cover and filter into collar aligning the tab with the slot.
- Push in on cover and turn clockwise to tighten.

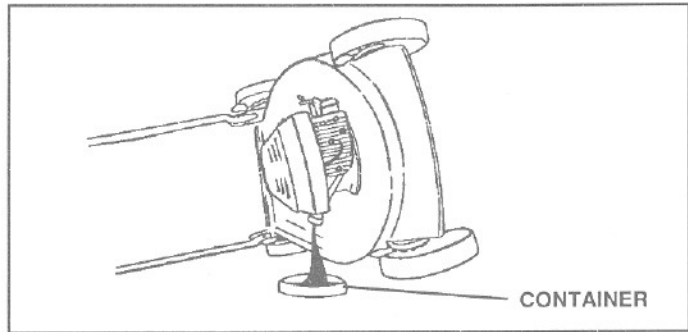


FIG. 13

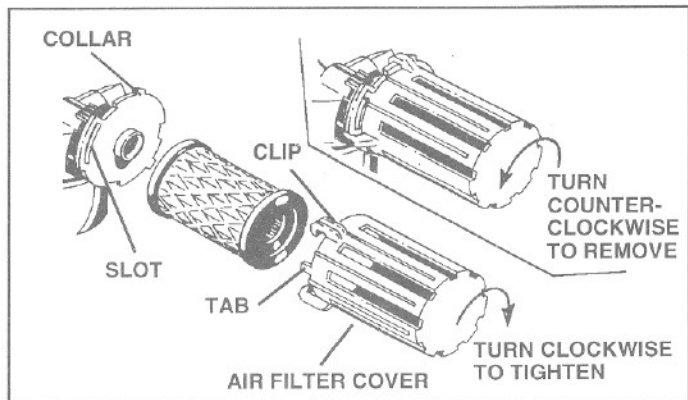


FIG. 14

## MUFFLER

Inspect and replace corroded muffler as it could create a fire hazard and/or damage.

## SPARK PLUG

Change your spark plug each year to make your engine start easier and run better. Set spark plug gap at .030 inch.

## CLEANING

**IMPORTANT:** FOR BEST PERFORMANCE, KEEP MOWER HOUSING FREE OF BUILT-UP GRASS AND TRASH. CLEAN UNDERSIDE OF MOWER HOUSING AFTER EACH USE.



**CAUTION:** Disconnect spark plug wire from spark plug and place wire where it cannot come in contact with the spark plug.

- Turn lawn mower on its side. Make sure air filter and carburetor are up. Clean the underside of your lawn mower by scraping to remove build-up of grass and trash.
- Clean engine often to keep trash from accumulating. A clogged engine runs hotter and shortens engine life.
- Keep finished surfaces and wheels free of all gasoline, oil, etc.
- We do not recommend using a garden hose to clean lawn mower unless the electrical system, muffler, air filter and carburetor are covered to keep water out. Water in engine can result in shortened engine life.

## CLEAN UNDER DRIVE COVER

Clean under drive cover at least twice a season. Scrape underside of cover with putty knife or similar tool to remove

# SERVICE AND ADJUSTMENTS



## CAUTION: BEFORE PERFORMING ANY SERVICE OR ADJUSTMENTS:

- Release control bar.
- Make sure the blade and all moving parts have completely stopped.
- Disconnect spark plug wire from spark plug and place where it cannot come in contact with plug.

## LAWN MOWER

### TO ADJUST CUTTING HEIGHT

See "TO ADJUST CUTTING HEIGHT" in the Operation section of this manual.

### REAR DEFLECTOR

The rear deflector, attached between the rear wheels of your lawn mower, is provided to minimize the possibility that objects will be thrown out the rear of the lawn mower into the operator's mowing position.

If the rear deflector becomes damaged, it should be replaced.

### TO REMOVE/REPLACE DRIVE BELT (See Fig. 15)

- Remove drive cover. Remove belt by pushing down on gear case pulley.
- Turn lawn mower on its side with carburetor and fuel cap up.
- Remove blade.
- Remove debris shield.
- Remove belt from engine pulley on crankshaft.
- Install new belt by reversing above steps.
- Always use factory approved belt to assure fit and long life.

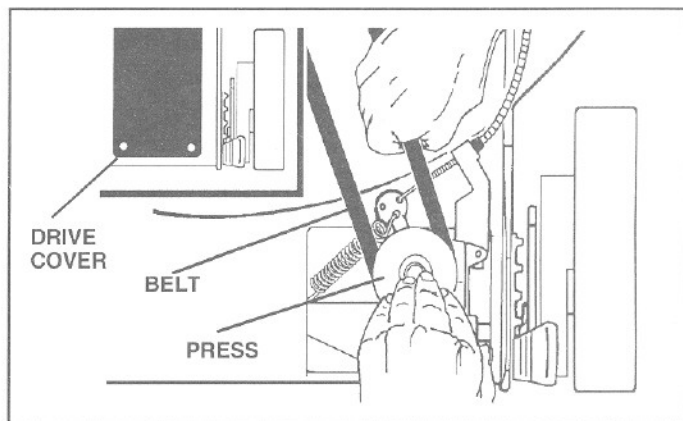


FIG. 15

# SERVICE AND ADJUSTMENTS

## TO ADJUST HANDLE (See Figs. 16 Thru 18)

Your lawn mower handle can be raised or lowered for your mowing comfort. Four (4) positions are available: high, medium high, medium low and low. Handles are shipped mounted in the medium low position.

- To change from medium low to medium high position, the upper and lower handle sections will have to be turned over (See Fig. 16B).
- Remove the controls and operator presence control bar from the upper handle.
- Remove the starter rope guide from the lower handle.
- Remove hairpin cotters.
- Disconnect the lower handle from the handle brackets (See Fig. 18).
- Turn the handle over and reassemble the hairpin cotters that have been removed.
- Reassemble the starter rope guide.
- Reassemble the controls and the operator presence control bar to the upper handle.



**CAUTION:** The operator presence control bar must pivot freely to permit blade brake engagement when control bar is released. Do not over tighten the fasteners holding the controls to the upper handle.

- To change from medium low to high position only the upper handle section will have to be turned over (See Fig. 17A).
- To change from medium low to low position, only the lower handle section will have to be turned over (See Fig. 17B).

## ENGINE

### ENGINE SPEED

Your engine speed has been factory set. Do not attempt to increase engine speed or it may result in personal injury. If you believe that the engine is running too fast or too slow, take your lawn mower to an authorized service center for repair and adjustment.

### CARBURETOR

Your carburetor has a non-adjustable fixed main jet for mixture control. If your engine does not operate properly due to suspected carburetor problems, take your lawn mower to an authorized service center for repair and adjustment.

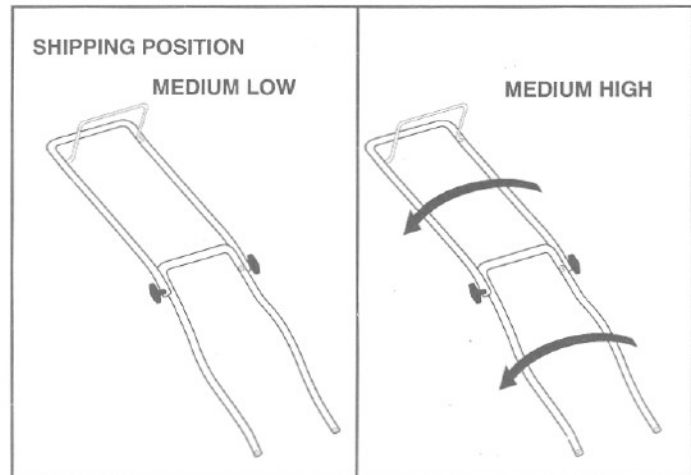


FIG. 16A

FIG. 16B

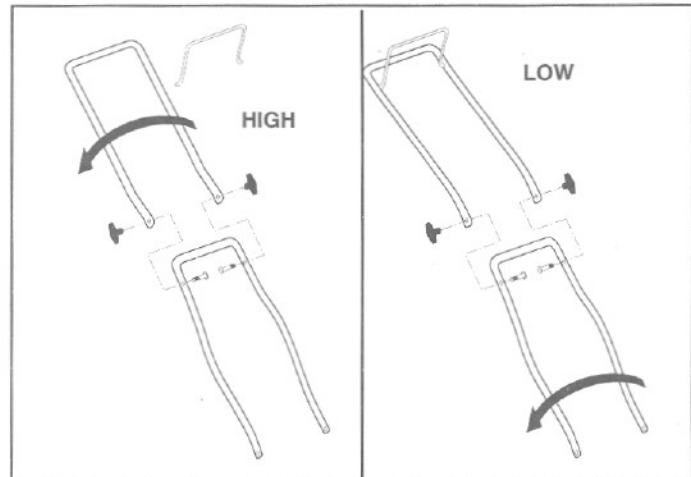


FIG. 17A

FIG. 17B

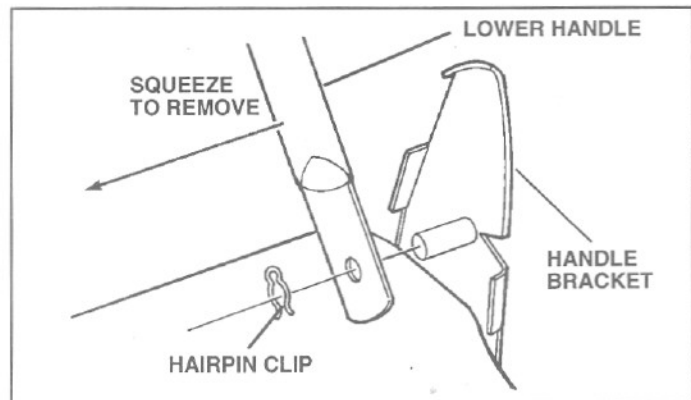


FIG. 18



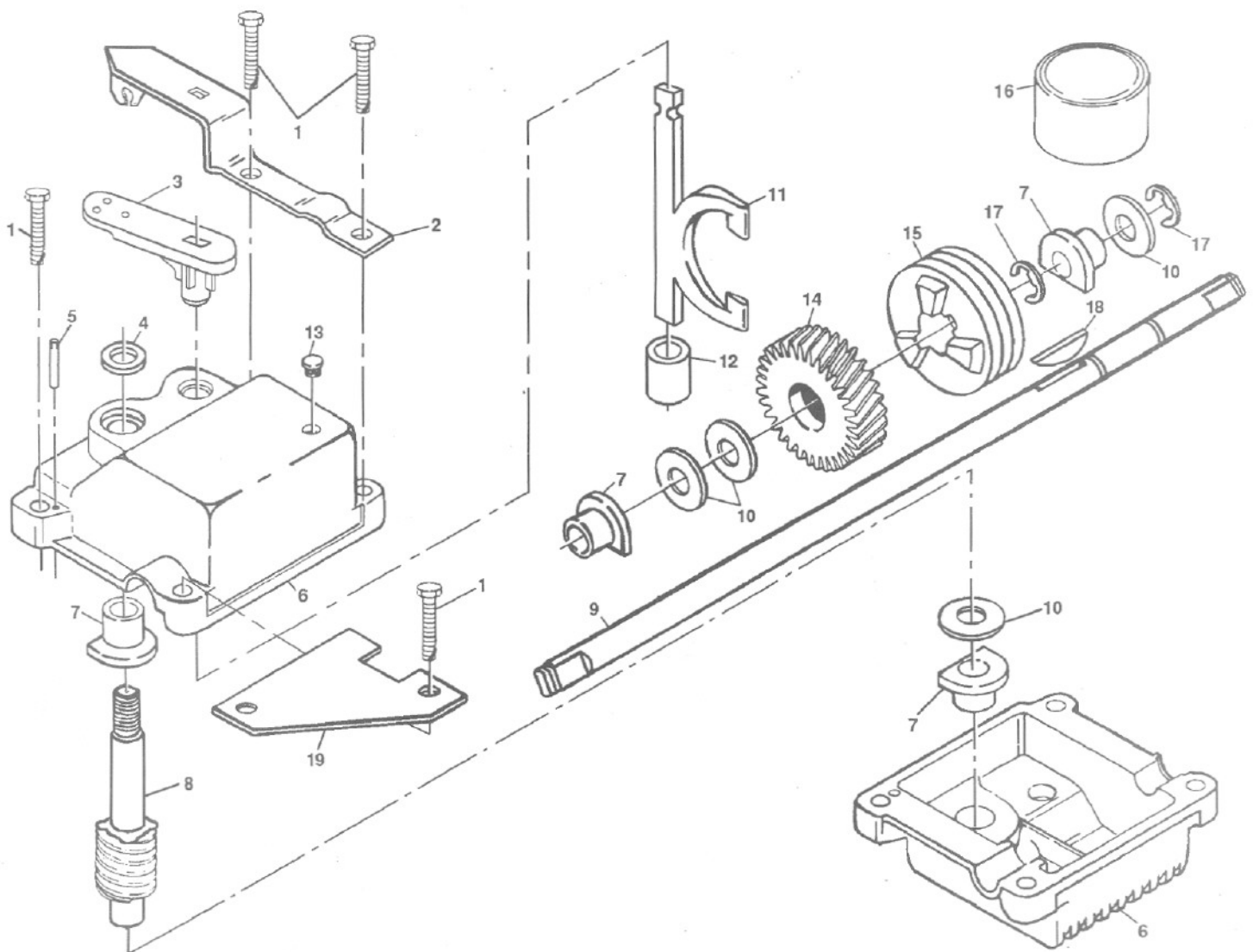
# TROUBLESHOOTING POINTS

PROBLEM	CAUSE	CORRECTION
Does not start	<ol style="list-style-type: none"> <li>1. Dirty air filter.</li> <li>2. Out of fuel.</li> <li>3. Stale fuel.</li> <li>4. Water in fuel.</li> <li>5. Spark plug wire is disconnected.</li> <li>6. Bad spark plug.</li> <li>7. Loose blade or broken blade adapter.</li> <li>8. Control bar in released position</li> <li>9. Control bar defective</li> </ol>	<ol style="list-style-type: none"> <li>1. Clean/replace air filter.</li> <li>2. Fill fuel tank.</li> <li>3. Drain tank and refill with fresh clean fuel.</li> <li>4. Drain fuel tank and carburetor and refill tank with fresh gasoline.</li> <li>5. Connect wire to plug.</li> <li>6. Replace spark plug.</li> <li>7. Tighten blade bolt or replace blade adapter.</li> <li>8. Depress control bar to handle.</li> <li>9. Replace control bar.</li> </ol>
Loss of power	<ol style="list-style-type: none"> <li>1. Rear of lawn mower housing/blade dragging in heavy grass.</li> <li>2. Cutting too much grass.</li> <li>3. Dirty air filter.</li> <li>4. Buildup of grass, leaves and trash under mower.</li> <li>5. Too much oil in engine.</li> <li>6. Walking speed too fast.</li> </ol>	<ol style="list-style-type: none"> <li>1. Set in "Higher Cut" position.</li> <li>2. Set in "Higher Cut" position.</li> <li>3. Clean/replace air filter.</li> <li>4. Clean underside of mower housing.</li> <li>5. Check oil level.</li> <li>6. Cut at slower walking speed.</li> </ol>
Poor cut - uneven	<ol style="list-style-type: none"> <li>1. Worn, bent or loose blade.</li> <li>2. Wheel heights uneven.</li> <li>3. Low engine speed.</li> <li>4. Buildup of grass, leaves, and trash under mower.</li> </ol>	<ol style="list-style-type: none"> <li>1. Replace blade. Tighten blade bolt.</li> <li>2. Set all wheels at same height.</li> <li>3. Set engine speed control in HIGH position.</li> <li>4. Clean underside of mower housing.</li> </ol>
Excessive vibration	<ol style="list-style-type: none"> <li>1. Worn, bent or loose blade.</li> <li>2. Bent engine crankshaft.</li> </ol>	<ol style="list-style-type: none"> <li>1. Replace blade. Tighten blade bolt.</li> <li>2. Contact Sears Service Department.</li> </ol>
Starter rope hard to pull	<ol style="list-style-type: none"> <li>1. Engine flywheel brake is on when control bar is released.</li> <li>2. Bent engine crankshaft</li> <li>3. Blade adapter broken.</li> <li>4. Blade dragging in grass.</li> </ol>	<ol style="list-style-type: none"> <li>1. Depress control bar to upper handle before pulling starter rope.</li> <li>2. Contact Sears Service Department.</li> <li>3. Replace blade adapter.</li> <li>4. Move lawn mower to cut grass or to hard surface to start engine.</li> </ol>
Loss of drive	<ol style="list-style-type: none"> <li>1. Drive wheels not turning with drive control engaged.</li> <li>2. Belt not driving.</li> </ol>	<ol style="list-style-type: none"> <li>1. Adjust or replace drive control cable, if broken.</li> <li>2. Put belt on pulleys or replace belts if broken.</li> </ol>
Grass catcher not filling (If so equipped)	<ol style="list-style-type: none"> <li>1. Cutting height too low.</li> <li>2. Lift on blade worn off.</li> <li>3. Catcher not venting air.</li> <li>4. Low engine speed.</li> </ol>	<ol style="list-style-type: none"> <li>1. Raise cutting height.</li> <li>2. Replace blade.</li> <li>3. Clean grass catcher.</li> <li>4. Set engine speed control in HIGH position.</li> </ol>
Hard to push	<ol style="list-style-type: none"> <li>1. Grass is too high or wheel height is too low.</li> <li>2. Rear of lawn mower housing/blade dragging in grass.</li> <li>3. Grass catcher too full.</li> <li>4. Handle height position not right for you.</li> </ol>	<ol style="list-style-type: none"> <li>1. Raise cutting height.</li> <li>2. Raise rear of lawn mower housing one (1) setting higher.</li> <li>3. Empty grass catcher.</li> <li>4. Adjust handle height to suit.</li> </ol>

# REPAIR PARTS

22" POWER PROPELLED LAWN MOWER - - MODEL NO. 917.373680

GEAR CASE ASSEMBLY PART NUMBER 702511

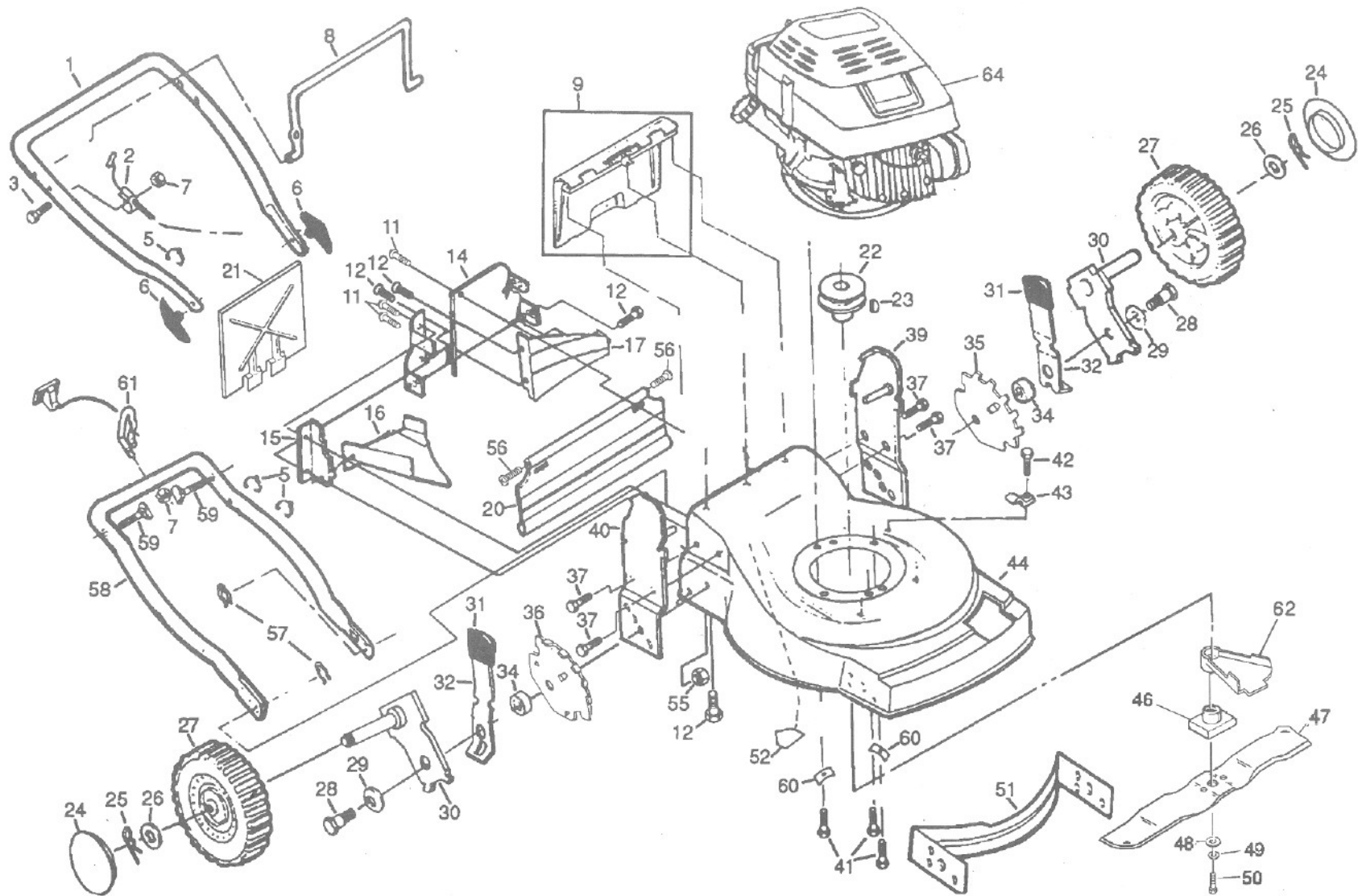


KEY NO.	PART NO.	DESCRIPTION
1	17490416	Screw, Tapping 1/4-20 x 1-1/4
2	137055	Bracket, Adjusting
3	137053	Shifter
4	57072	Seal
5	57388	Pin, Grooved 1/8 x 1/2
6	48281	Gear Case Halves, Upper and Lower (Includes Key #4, 5 and 7)
7	77881	Bearing
8	137051	Shaft, Worm
9	137074	Drive Shaft

KEY NO.	PART NO.	DESCRIPTION
10	57079	Washer, Hardened
11	131484	Yoke, Clutch
12	700343	Bushing
13	86447	Plug
14	137050	Gear, Helical
15	750436X	Jaw, Clutch
16	750355	Grease
17	12000003	E-Ring
18	850848	Key, Hi-Pro
19	81585X004	Spring Bracket

**NOTE:** All component dimensions given in U.S. inches  
1 inch = 25.4 mm

**NOTE:** To reseal housing halves use Loctite No. 515



# RAFTSMAN 22" ROTARY LAWN MOWER MODEL NUMBER 917.373680

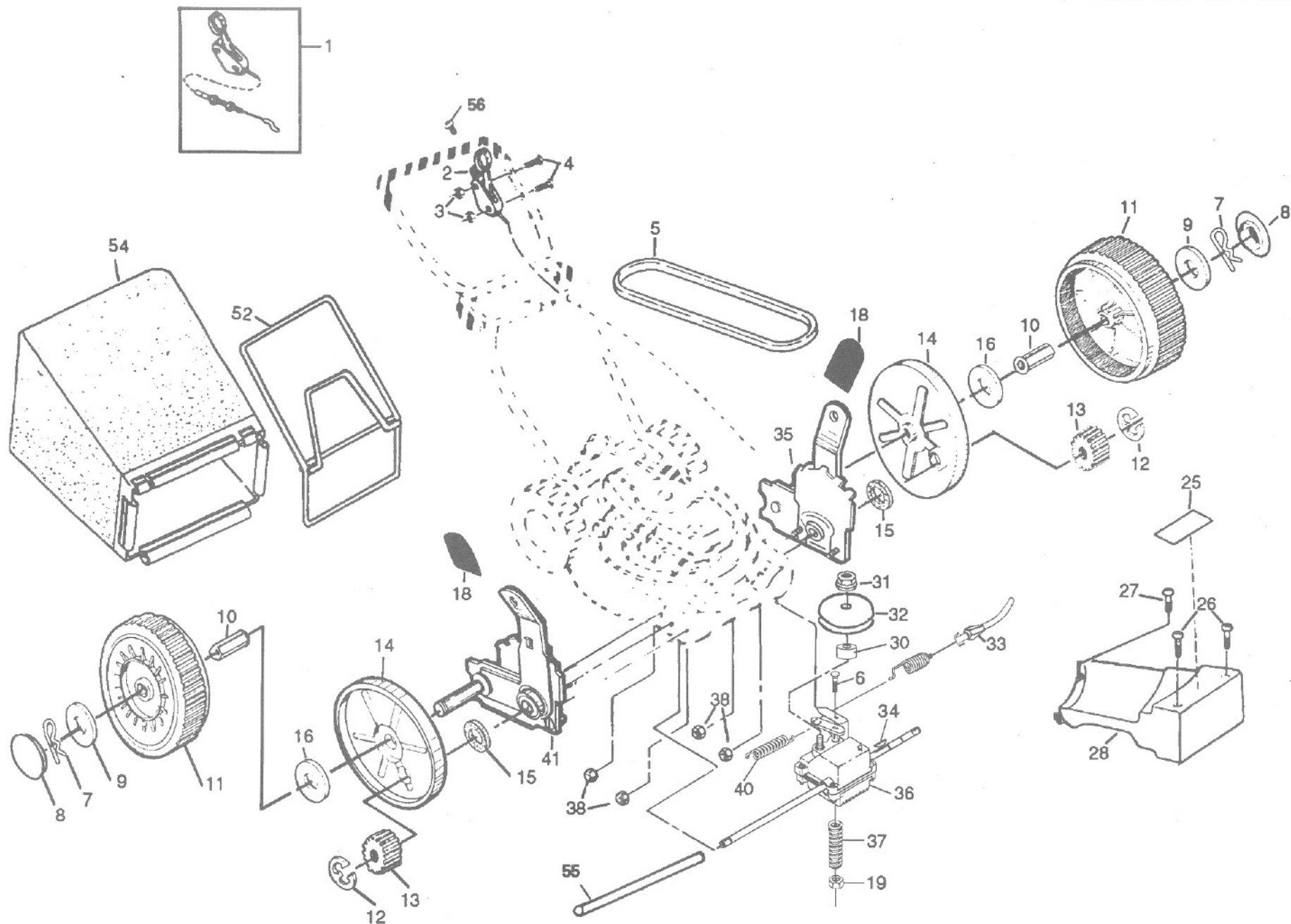
# REPAIR PARTS

KEY PART NO. NO	DESCRIPTION	KEY PART NO. NO	DESCRIPTION
1	133088X479 Upper Handle	37	55187 Thread Cutting Screw 5/16-18 x 3/4
2	130861 Engine Zone Control Cable	39	701143X459 Handle Bracket Assembly (Left)
3	74350424 Hex Head Bolt 1/4-20 x 1-1/2	40	701144X459 Handle Bracket Assembly (Right)
5	85827 Cable Clip	41	850998 Hex Head Thread Rolling Screw 3/8-16 x 1-1/8
6	136376 Handle Knob	42	750097 Hex Washer Head Screw #10-24 x 1/2
7	STD541425 Locknut 1/4-20	43	87930 Guide Clip
8	851509 Control Bar	44	48349 Lawn Mower Housing (Incl. Key #14,15,51 &52)
9	48137 Rear Door Kit	46	851514 Blade Adapter
11	86344 Self-Tapping Screw #10-24	47	700973 Blade 22"
12	STD512505 Hex Tapping Screw 1/4-20 x 1/2	48	851074 Hardened Washer
14	700483X479 Back Plate	49	850263 Helical Washer 3/8-24 x 1-3/8 Grd. 8
15	700365X479 Side Baffle	50	851084 Hex Head Machine Screw 3/8-24 x 1-3/8 Grd. 8
16	133190X479 Discharge Baffle	51	700869X479 Front Baffle
17	87596X479 Rear Baffle	52	85463 Danger Decal
20	128796 Rear Skirt	55	751592 Locknut 3/8-16
21	133170X479 Mulcher Plate	56	88652 Hinge Screw
22	85543 Engine Pulley	57	51793 Hairpin Cotter
23	87677 Hi-Pro Key #505	58	84676X479 Lower Handle
24	77400 Hubcap	59	131959 Handle Bolt
25	85179 Retainer Clip	60	851201X004 Washer
26	52160 Washer	61	103672X Rope Guide
27	700781 Wheel & Tire Assembly	62	134612 Debris Shield
28	84921 Shoulder Bolt 3/8-16	64	701544 Engine - Craftsman - Model No. 143.434332
29	62335 Belleville Washer	--	701581 Owner's Manual (English)
30	85021X004 Axle Arm Assembly	--	702452 Owner's Manual (Spanish)
31	87877 Selector Knob		
32	850855X004 Selector Spring		
34	84920 Spacer		
35	133760 Wheel Adjusting Bracket (Left)		
36	133758 Wheel Adjusting Bracket (Right)		

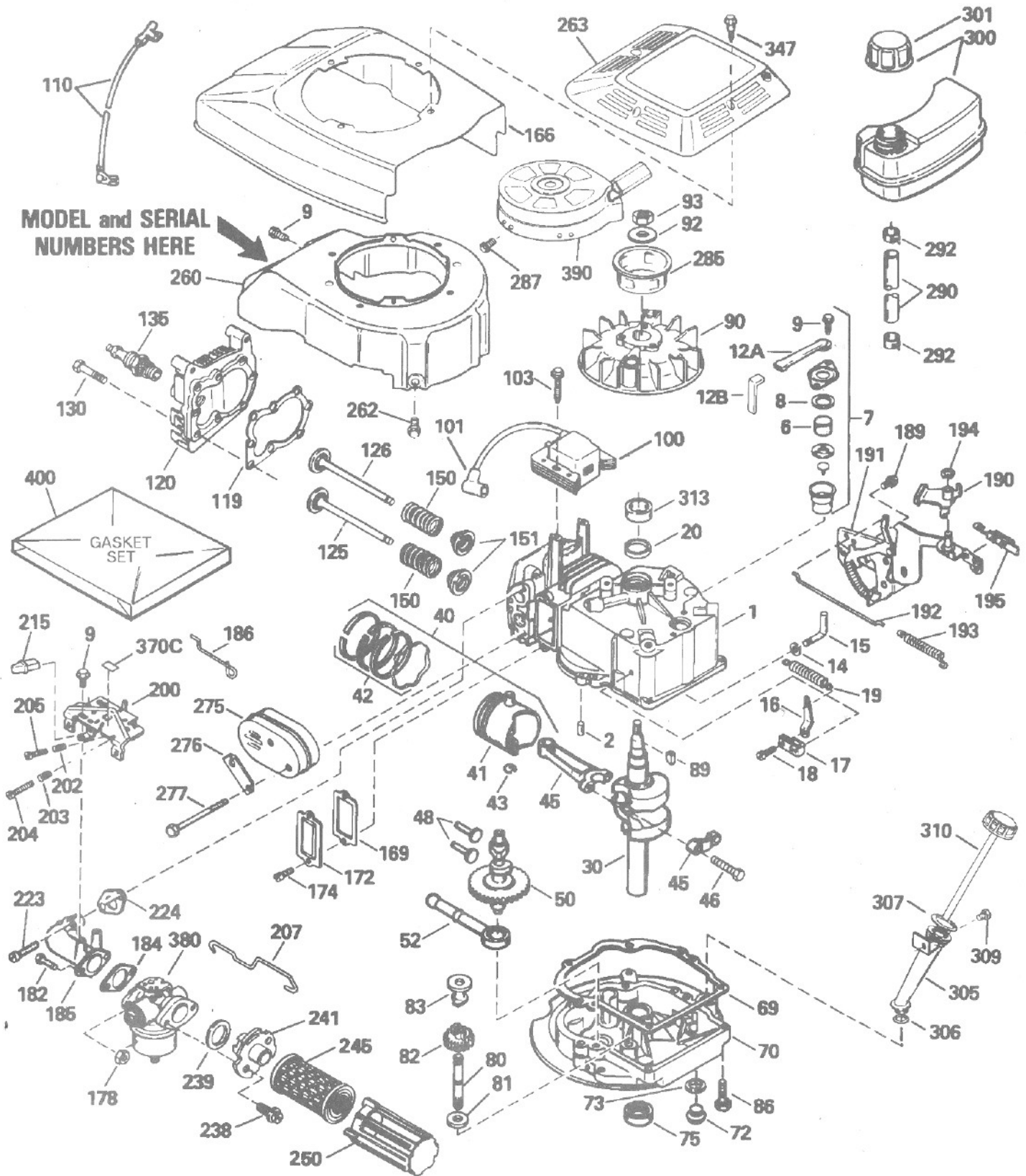
#132.35

Available accessories not included with lawn mower:

- 71 33723 High Wheel Kit
- 71 33623 Gas Can (2.5 gal.)
- 71 33500 Fuel Stabilizer
- 71 33300 SAE 30W Oil (20 oz.)
- 71 33417 Dust Shield
- 71 33316 Mower Cover
- 71 33303 Chute Deflector



KEY PART NO. NO.	DESCRIPTION	KEY PART NO. NO.	DESCRIPTION
1 48029	Drive Head Kit	25 702182	Drive Cover Decal
2 137076	Drive Control	26 87866	Pan Head Tapping Screw #10-24 x 2-3/4
3 74189	Locknut #10-24	27 750097	Hex Washer Head Screw #10-24 x 3/4
4 750029	Pan Head Machine Screw #10-24 x 2	28 700989	Drive Cover
5 137078	V-Belt	30 77881	Spacer
6 700875	Carriage Bolt 1/4-20 x 2-3/4	31 132010	Hex Flange Nut
7 85179	Retainer Clip	32 137052	Drive Pulley
8 77400	Hubcap	33 48323	Drive Control Cable Kit
9 52160	Washer	34 850848	Hi-Pro Key
10 86960	Nylon Bushing	35 751809	Wheel Adjuster Assembly (Left)
11 700783	Wheel & Tire Assembly	36 702511	Gear Case Assembly
12 12000057	E-Ring	37 137090	Spring
13 137054	Pinion	38 STD541425	Hex Locknut 1/4-20
14 88080	Dust Cover	40 75192	Spring
15 88118	Felt Washer	41 751810	Wheel Adjuster Assembly (Right)
16 67725	Washer 1/2 x 1-1/2 x .134	52 88614	Catcher Frame
18 132800	Selector Knob	54 751663	Grassbag Assembly
19 68038	Hex Locknut 1/4-20	55 86012	Driveshaft Cover
		56 851552	Screw, Pan Head, Hi-Lo #10-16 x 1/2



# CRAFTSMAN 4-CYCLE ENGINE

MODEL NO. 143.434332

REF NO.	PART NO.	DESCRIPTION	REF NO.	PART NO.	DESCRIPTION
1	36265	Cylinder Assy. (Includes #2 and 20)	130	6021A	Screw, Hex Flange 5/16-18 x 1-1/2
2	26727	Pin, Dowel	135	35395	Spark Plug, Resistor Type (Champion RJ-19LM or Equivalent)
6	33734	Element, Breather	150	35991	Spring, Valve
7	34214A	Breather Assy. (Incl. #6, 8, 9, 12A, 12B)	151	31673	Cap, Lower Valve Spring
8	33735	* Gasket, Breather	166	35827	Shroud, Engine
9	30200	Screw, Sems, Hex Washer Head, Self-Tapping #10-24 x 9/16	169	27234A	* Gasket, Valve Spring Box
12A	33886	Tube, Breather	172	32755	Cover, Valve Spring Box
12B	34695	Elbow, Breather Tube	174	650128	Screw, Sems, Hex Hd. #10-24 x 1/2
14	28277	Washer, Flat	178	29752	Nut and Lock Washer 1/4-28
15	30589	Rod, Governor (Includes Ref. #14)	182	6201	Screw, Hex Cap Head 1/4-28 x 7/8
16	31383A	Lever, Governor	184	26756	* Gasket, Carburetor
17	31335	Clamp, Governor Lever	185	31384A	Pipe, Intake (Includes Ref. #224)
18	650548	Screw, Hex Washer #8-32 x 5/16	186	34337	Link, Governor Spring
19	36281	Spring, Extension	189	650839	Screw, Sems, Hex Head, Powerlok 1/4-20 x 3/8
20	32600	Seal, Oil	190	35831	Lever, Brake
30	35801	Crankshaft Assembly	191	35039B	Bracket, S.E. Brake (Includes #195)
40	36073	Piston, Pin & Ring Assy., Std. Size	192	34966	Link, Control
	36074	Piston, Pin & Ring Assy. .010" Over	193	34965	Spring, Extension
	36075	Piston, Pin & Ring Assy. .020" Over (Assemblies Include #41, 42 and 43)	194	32309	Ring, Retaining
41	36070	Piston & Pin Assembly, Std. Size	195	610973	Terminal Assembly
	36071	Piston & Pin Assembly .010" Over	200	35727	Bracket Assembly, Control (Includes Reference #202 thru 205)
	36072	Piston & Pin Assembly .020" Over (Assemblies Include Reference #43)	202	33802	Spring, Compression
42	36076	Ring Set, Piston, Standard Size	203	31342	Spring, Compression
	36077	Ring Set, Piston .010" Oversize	204	650549	Screw, Fillister Head #5-40 x 7/16
	36078	Ring Set, Piston .020" Oversize	205	650777	Screw, Fillister Head #6-32 x 21/32
43	20381	Ring, Piston Pin Retaining	207	34336	Link, Throttle
45	32875	Rod Assy., Connecting (Incl. #46)	215	35511	Knob, Control
46	32610A	Bolt, Connecting Rod	223	650451	Screw, Sems, Hex Head 1/4-20 x 1
48	27241	Valve, Lifter	224	34690A	* Gasket, Intake Pipe
50	35992	Camshaft (Mech. Comp. Release)	238	650932	Screw, Hex Washer Head, Shoulder #10-32 x 49/64
52	29914	Pump Assembly, Oil	239	34338	* Gasket, Air Cleaner
69	35261	* Gasket, Mounting Flange	241	35797	Collar, Air Cleaner
70	34311D	Flange, Mounting (Includes Ref. #72, 73, 75, 80, 81, 82 and 83)	245	35066	Filter, Air Cleaner, Paper
72	30572	Plug, Oil Drain (Includes Ref. #73)	250	35065	Cover, Air Cleaner
73	28833	Gasket, Oil Drain Plug (Not Required with Plastic Oil Plug)	250	35065	Housing, Blower
75	27897	Seal, Oil	260	35826	Screw, Hex Washer Head, Powerlok Thread 1/4-20 x 15/32
80	30574A	Shaft, Governor	262	650831	Grill, Recoil
81	30590A	Washer, Flat	263	35821	Muffler Assembly (Includes #277)
82	30591	Gear Assy., Governor (Incl. #81)	275	34613A	Plate, Lock
83	30588A	Spool, Governor	276	33753	Screw, Hex Head 1/4-20 x 2-1/4
86	650488	Screw, Sems, Hex 1/4-20 x 1-1/4	277	650795	Hub, Starter
89	611004	Key, Flywheel	285	35000	Screw, Hex Washer #8-32 x 21/64
90	611109	Flywheel	287	650926	Line, Fuel
92	650815	Washer, Belleville	290	34357	Clamp, Fuel line
93	650816	Nut, Flywheel	292	26460	Tank Assy. (Incl. Nos. 292 and 301)
100	34443A	Solid State Assembly	300	35586	Cap, Fuel
101	610118	Cover, Spark Plug	301	35355	Tube, Oil Fill
103	650814	Screw, Sems, Torx T-15, Hex Washer Head #10-24 x 1	305	35819A	* Gasket, Fill Tube
110	34961	Wire, Ground	306	34265	"O" Ring
119	33554A	* Gasket, Cylinder Head	307	35499	Screw, Hex Washer Head, Shoulder #10-32 x 13/32
120	34342	Head, Cylinder	309	650936	Dipstick, Oil Fill
125	29313C	Valve, Exhaust, Standard Size	310	35822	Spacer, Flywheel Key
	29315C	Valve, Exhaust, 1/32" Oversize	313	34080	Screw, Hex Washer Head, Shoulder #10-32 x 27/32
126	29314B	Valve, Intake, Standard Size	347	650898	Decal, Throttle
	29315C	Valve, Intake, 1/32" Oversize (All Valves Include Reference	370C	35167	Carburetor (Includes Ref. #184)
			380	632681	Starter, Rewind
			390	590637	Gasket Set (Incl. Items Marked *)
			400	35997	RPM Settings: Low: 2450-2750, High: 2900-3200

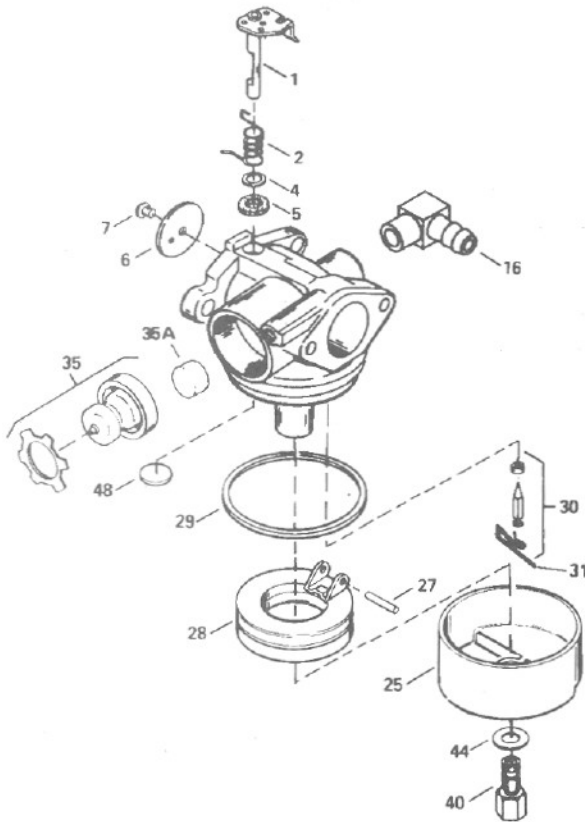
\*Indicates Parts Included in Gasket Set, Reference #400  
 NOTE: All component dimensions given in U.S. inches



# CRAFTSMAN 4-CYCLE ENGINE

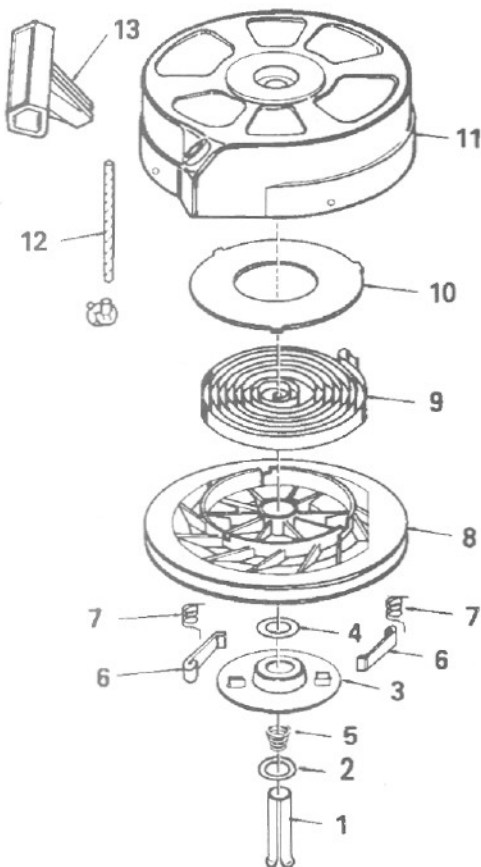
MODEL NO. 143.434332

## CARBURETOR NO. 632681



REF NO.	PART NO.	DESCRIPTION
--	632681	Carburetor, Complete
1	631615	Throttle Shaft and Lever Assembly
2	631767	Throttle Return Spring
4	631184	Dust Seal Washer, Throttle
5	631183	Dust Seal, Throttle
6	632504	Throttle Shutter
7	650506	Throttle and Choke Shutter Screw
16	631775	Fuel Fitting
25	631867	Float Bowl
27	631024	Shaft, Float
28	632019	Float
29	631028	"O" Ring, Float Bowl to Body
30	631021	Inlet Needle, Seat and Clip
31	631022	Spring Clip
35	36045	Primer Bulb/Retainer Ring
35A	632647	Primer Bulb Filter
40	632682	High Speed Bowl Nut
44	27110	Bowl Nut Washer
48	631027	Welch Plug, Atmospheric Vent

## REWIND STARTER NO. 590637



REF NO.	PART NO.	DESCRIPTION
--	590637	Starter, Rewind
1	590599A	Pin, Spring (Includes Reference #4)
2	590600	Washer
3	590615	Retainer
4	590601	Washer
5	590598	Spring, Brake
6	590616	Dog, Starter
7	590617	Spring, Dog
8	590618	Pulley
9	590619	Spring, Rewind
10	590620	Cover, Spring
11	590638	Housing Assembly, Starter
12	590535	Rope, Starter (98" Long, 9/64" Dia.)
13	590452	Handle, Starter

**NOTE:** All component dimensions given in U.S. inches  
1 inch = 25.4 mm

**SERVICE NOTES**

**SEARS**

**OWNER'S  
MANUAL**

**MODEL NO.  
917.373680**

**HOW TO ORDER  
REPAIR PARTS**

**CRAFTSMAN®**

**5.3 HORSEPOWER  
22" REAR DISCHARGE  
3 in ONE Convertible  
POWER PROPELLED  
ROTARY LAWN MOWER**

Each lawn mower has its own model number. Each engine has its own model number.

The model number for your lawn mower will be found on a decal attached to the rear of the lawn mower housing.

The model number for your engine will be found on the blower housing of the engine.

All parts listed herein may be ordered from any Sears, Roebuck and Co. Service Center/Department and most Retail Stores.

**WHEN ORDERING REPAIR PARTS, ALWAYS GIVE THE  
FOLLOWING INFORMATION:**

- PRODUCT - LAWN MOWER
- MODEL NUMBER - 917.373680
- ENGINE MODEL NO. - 143.434332
- PART NUMBER
- PART DESCRIPTION

Your Sears merchandise has added value when you consider Sears has service units nationwide staffed with Sears trained technicians... professional technicians specifically trained to insure that we meet our pledge to you, we service what we sell.

## Free Manuals Download Website

<http://myh66.com>

<http://usermanuals.us>

<http://www.somanuals.com>

<http://www.4manuals.cc>

<http://www.manual-lib.com>

<http://www.404manual.com>

<http://www.luxmanual.com>

<http://aubethermostatmanual.com>

Golf course search by state

<http://golfingnear.com>

Email search by domain

<http://emailbydomain.com>

Auto manuals search

<http://auto.somanuals.com>

TV manuals search

<http://tv.somanuals.com>