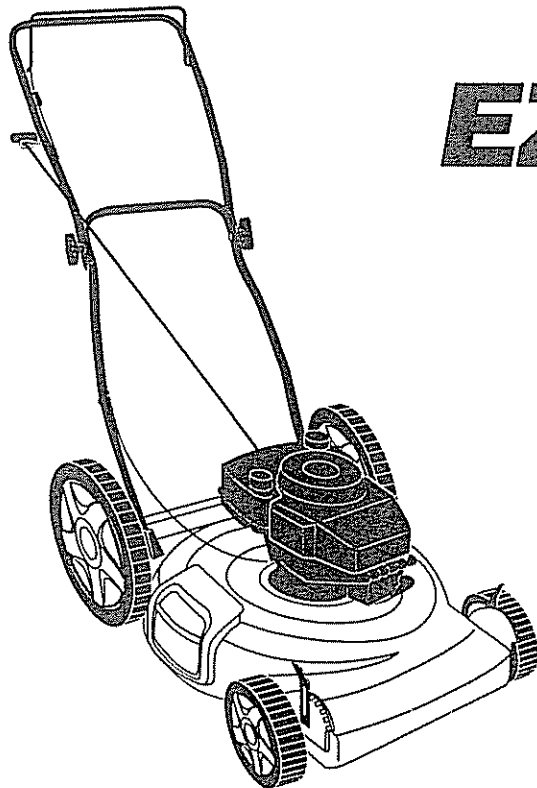


Owner's Manual

CRAFTSMAN® **6.0 HORSEPOWER** **22" EZ MULCH** **SIDE DISCHARGE** **ROTARY LAWN MOWER**

Model No.
917.387240

EZ³



- Safety
- Assembly
- Operation
- Maintenance
- Español
- Repair Parts

CAUTION:

Read and follow all
Safety Rules and Instructions
before operating this equipment

Sears, Roebuck and Co., Hoffman Estates, IL 60179

TABLE OF CONTENTS

Warranty	2	Product Specifications	10
Safety Rules	2	Service and Adjustments	12
Assembly	4	Storage	13
Operation	5	Troubleshooting	15
Maintenance Schedule	9	Repair Parts	30
Maintenance	9	Parts Ordering	Back Cover

WARRANTY

LIMITED TWO YEAR WARRANTY ON CRAFTSMAN POWER MOWER

For two years from date of purchase, when this Craftsman Lawn Mower is maintained, lubricated, and tuned up according to the operating and maintenance instructions in the owner's manual, Sears will repair free of charge any defect in material or workmanship. If this Craftsman Lawn Mower is used for commercial or rental purposes, this warranty applies for only 90 days from the date of purchase.

This Warranty does not cover:

- Expendable items which become worn during normal use, such as rotary mower blades, blade adapters, belts, air cleaners and spark plug.
- Repairs necessary because of operator abuse or negligence, including bent crankshafts and the failure to maintain the equipment according to the instructions contained in the owner's manual.

Warranty service is available by returning the Craftsman power mower to the nearest Sears Service Center/Department in the United States. This warranty applies only while this product is in use in the United States.

This Warranty gives you specific legal rights, and you may also have other rights which vary from state to state.

SEARS, ROEBUCK AND CO., D/817 WA, HOFFMAN ESTATES, ILLINOIS 60179

SAFETY RULES

TRAINING:

- Read this operator's manual carefully. Become familiar with the controls and know how to operate your mower properly. Learn how to quickly stop mower.
- Do not allow children to use your mower. Never allow adults to use mower without proper instructions.
- Keep the area of operation clear of all persons, especially small children and pets.
- Use mower only as the manufacturer intended and as described in this manual.
- Do not operate mower if it has been dropped or damaged in any manner. Always have damage repaired before using your mower.

- Do not use accessory attachments that are not recommended by the manufacturer. Use of such attachments may be hazardous.
- The blade turns when the engine is running.

PREPARATION:

- Always thoroughly check the area to be mowed and clear it of all stones, sticks, wires, bones, and other foreign objects. These objects will be thrown by the blade and can cause severe injury.
- Always wear safety glasses or eye shields when starting and while using your mower.
- Dress properly. Do not operate mower when barefoot or wearing open sandals. Wear only solid shoes with good traction when mowing.

Check fuel tank before starting engine. Do not fill gas tank indoors, when the engine is running or when the engine is hot. Allow the engine to cool for several minutes before filling the gas tank. Clean off any spilled gasoline before starting the engine.

Always make wheel height adjustments before starting your mower. Never attempt to do this while the engine is running.

Mow only in daylight or good artificial light.

OPERATION:

Keep your eyes and mind on your mower and the area being cut. Do not let other interests distract you.

Do not mow wet or slippery grass.

Never run while operating your mower.

Always be sure of your footing - keep a firm hold on the handles and walk.

Do not put hands or feet near or under rotating parts. Keep clear of the discharge opening at all times.

Always stop the engine whenever you leave or are not using your mower, or before crossing driveways, walks, roads, and any gravel-covered areas.

Never direct discharge of material toward bystanders nor allow anyone near the mower while you are operating it.

Before cleaning, inspecting, or repairing your mower, stop the engine and make absolutely sure the blade and all moving parts have stopped. Then disconnect the spark plug wire and keep it away from the spark plug to prevent accidental starting.

Do not continue to run your mower if you hit a foreign object. Follow the procedure outlined above, then repair any damage before restarting and operating your mower.

Do not change the governor settings or overspeed the engine. Engine damage or personal injury may result.

Do not operate your mower if it vibrates abnormally. Excessive vibration is an indication of damage; stop the engine, safely check for the cause of vibration and repair as required.

Do not run the engine indoors. Exhaust fumes are dangerous.

- Never cut grass by pulling the mower towards you. Mow across the face of slopes, never up and down or you might lose your footing. Do not mow excessively steep slopes. Use caution when operating the mower on uneven terrain or when changing directions - maintain good footing.
- Never operate your mower without proper guards, plates, grass catcher or other safety devices in place.

MAINTENANCE AND STORAGE:

- Check the blade and the engine mounting bolts often to be sure they are tightened properly.
- Check all bolts, nuts and screws at frequent intervals for proper tightness to be sure mower is in safe working condition.
- Keep all safety devices in place and working.
- To reduce fire hazard, keep the engine free of grass, leaves or excessive grease and oil.
- Check grass catcher often for deterioration and wear and replace worn bags. Use only replacement bags that are recommended by and comply with specifications of the manufacturer of your mower.
- Always keep a sharp blade on your mower.
- Allow engine to cool before storing in any enclosure.
- Never store mower with fuel in the tank inside a building where fumes may reach an open flame or an ignition source such as a hot water heater, space heater, clothes dryer, etc.

CAUTION: Always disconnect spark plug wire and place wire where it cannot contact spark plug in order to prevent accidental starting when setting up, transporting, adjusting or making repairs.

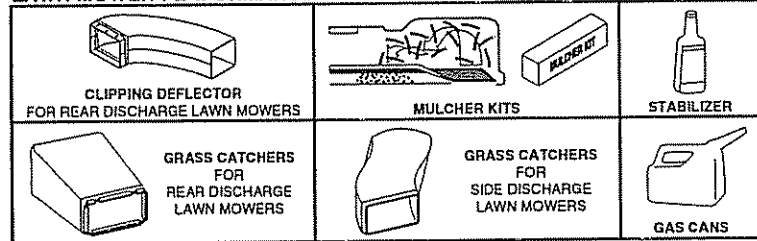
WARNING: The engine exhaust from this product contains chemicals known to the State of California to cause cancer, birth defects, or other reproductive harm.

ACCESSORIES

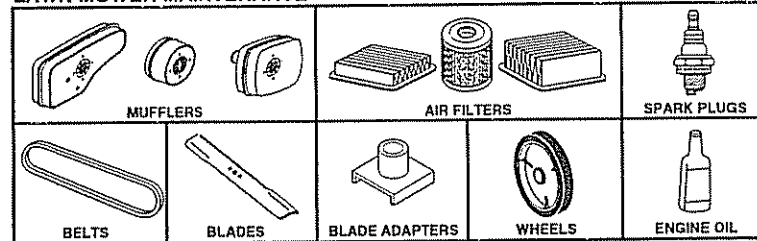
These accessories were available when this lawn mower was produced. They are also available at most Sears retail outlets and service centers. Most Sears stores

can also order repair parts for you, when you provide the model number of your lawn mower. Some of these accessories may not apply to your lawn mower.

LAWN MOWER PERFORMANCE



LAWN MOWER MAINTENANCE



ASSEMBLY

Read these instructions and this manual in its entirety before you attempt to assemble or operate your new lawn mower. Your new lawn mower has been assembled at the factory with the exception of those parts left unassembled for shipping purposes. All parts such as nuts, washers, bolts, etc., necessary to complete the assembly have been placed in the parts bag. To ensure safe and proper operation of your lawn mower, all parts and hardware you assemble must be tightened securely. Use the correct tools as necessary to ensure proper tightness.

TO REMOVE LAWN MOWER FROM CARTON

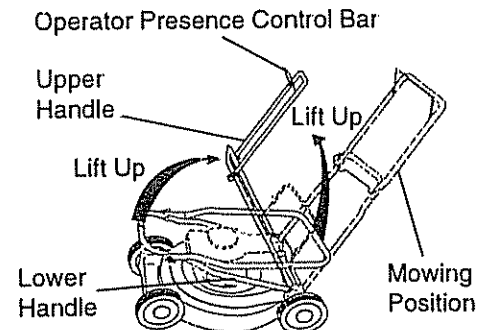
- Remove loose parts included with mower.
- Cut down two end corners of carton and lay end panel down flat.
- Remove all packing materials except padding between upper and lower handle and padding holding operator presence control bar to upper handle.
- Roll lawn mower out of carton and check carton thoroughly for additional loose parts.

HOW TO SET UP YOUR LAWN MOWER

TO UNFOLD HANDLE

IMPORTANT: Unfold handle carefully so as not to pinch or damage control cables.

- Raise handles until lower handle section locks into place in mowing position.
- Remove protective padding, raise upper handle section into place on lower handle and tighten both handle knobs.
- Remove handle padding holding operator presence control bar to upper handle.
- Your lawn mower handle can be adjusted for your mowing comfort. Refer to "Adjust Handle" in the Service and Adjustments section of this manual.

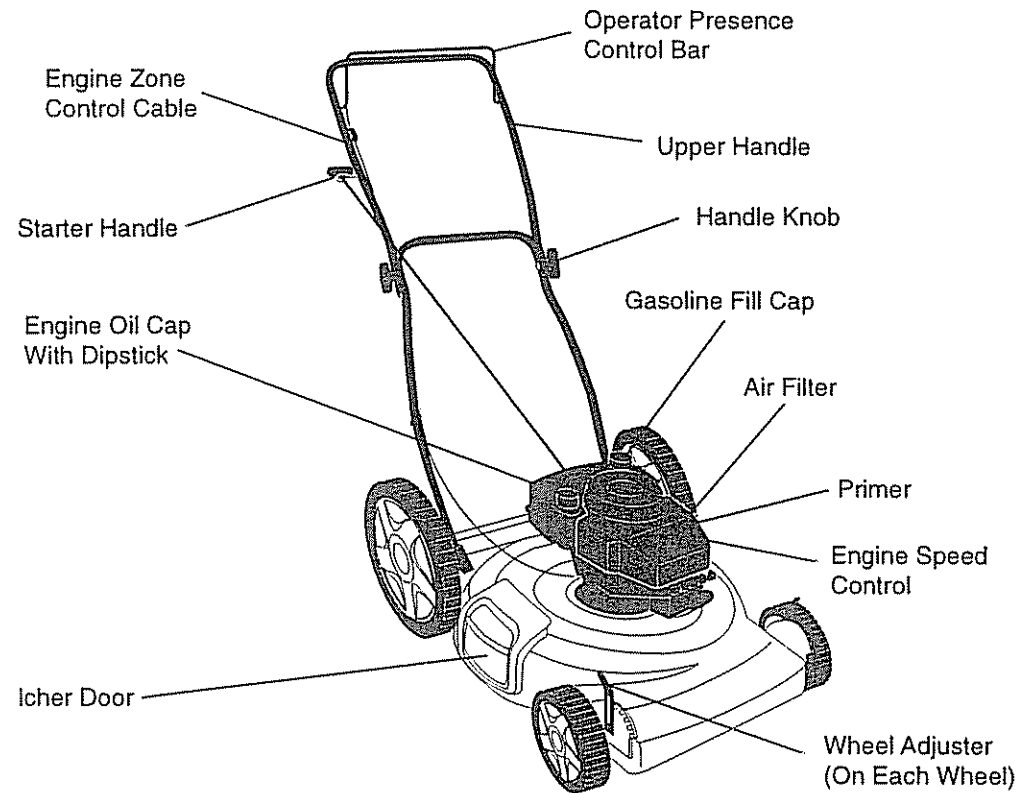
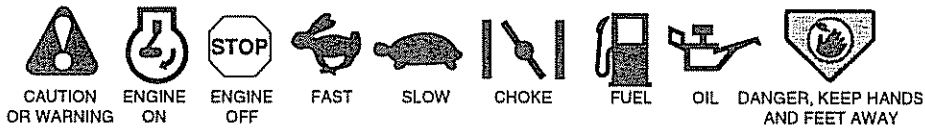


OPERATION

HOW YOUR LAWN MOWER

READ THIS OWNER'S MANUAL AND SAFETY RULES BEFORE OPERATING YOUR LAWN MOWER. Compare the illustrations with your lawn mower to familiarize yourself with the location of various controls and adjustments. Save this manual for future reference.

These symbols may appear on your lawn mower or in literature supplied with the product. Learn and understand their meaning.



MEETS CPSC SAFETY REQUIREMENTS

These rotary walk-behind power lawn mowers conform to the safety standards of the American National Standards Institute and the U.S. Consumer Product Safety Commission. The blade turns when the engine is running.

OPERATOR PRESENCE CONTROL BAR - must be held down to the handle to start engine. Release to stop the engine.

MOWER DOOR - allows conversion to discharge or bagging operation.

PRIMER - pumps additional fuel from the carburetor to the cylinder for use when starting cold engine.

STARTER HANDLE - used for starting the engine.

ENGINE SPEED CONTROL LEVER - located on the side of the engine which allows you to select either fast or slow engine speed.

HOW TO USE YOUR LAWN MOWER ENGINE SPEED

The engine speed was set at the factory for optimum performance. Speed is not adjustable.

ENGINE ZONE CONTROL

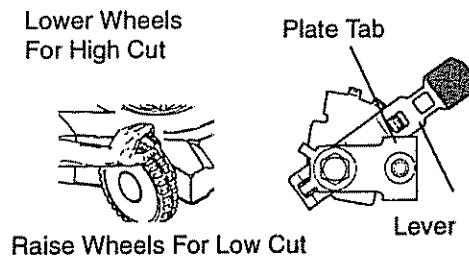
CAUTION: Federal regulations require an engine control to be installed on this lawn mower in order to minimize the risk of blade contact injury. Do not under any circumstances attempt to defeat the function of the operator control. The blade turns when the engine is running.

- Your lawn mower is equipped with an operator presence control bar which requires the operator to be positioned behind the lawn mower handle to start and operate the lawn mower.

TO ADJUST CUTTING HEIGHT

- Raise wheels for low cut and lower wheels for high cut.
- Adjust cutting height to suit your requirements. Medium position is best for most lawns.
- To change cutting height, squeeze adjuster lever toward wheel. Move wheel up or down to suit your requirements. Be sure all wheels are in the same setting.

NOTE: Adjuster is properly positioned when plate tab inserts into hole in lever. Also, 9-position adjusters (if so equipped) allow lever to be positioned between the plate tabs.

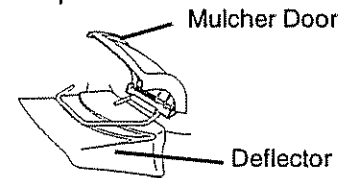


CAUTION: Do not operate your lawn mower without mulcher door in locked position, discharge deflector in place, or approved grass catcher in place.

NOTE: Your lawn mower has been shipped ready for mulching operation. To convert to discharging operation, you must install the discharge deflector attachment included with your mower.

TO INSTALL DISCHARGING DEFLECTOR

- Unlock mulching door by lifting door latch as shown.
- Lift door upward on its hinge until the deflector frame can be hooked over the door mounting bracket as shown.
- Release the door to rest against deflector frame.
- To return to mulching operation, reverse the above steps and be sure door is in locked position.



BEFORE STARTING ENGINE OIL

Your lawn mower is shipped without oil in the engine.

- Be sure mower is level and area around oil fill is clean.
- Remove engine oil cap w/dipstick and fill to the full line on the dipstick.
- Use 20 ozs. of oil. For type and grade of oil to use, see "ENGINE" in Customer Responsibilities section of this manual.
- Pour oil slowly. Do not over fill.
- Check oil level before each use. Add oil if needed. Fill to full line on dipstick.
- To read proper level, tighten engine oil cap each time.
- Reinstall engine oil cap and tighten.
- Change the oil after every 25 hours of operation or each season. You may need to change the oil more often under dusty, dirty conditions.

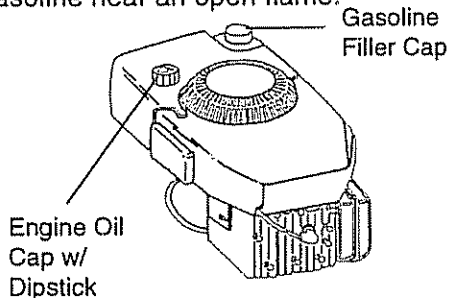
AS

Fill fuel tank. Use fresh, clean, regular unleaded gasoline with a minimum of 87 octane. (Use of leaded gasoline will increase carbon and lead oxide deposits and reduce valve life). Do not mix oil with gasoline. Purchase fuel in quantities that can be used within 30 days to assure fuel freshness.

IMPORTANT: WHEN OPERATING IN TEMPERATURES BELOW 32°F(0°C), use fresh, clean winter grade gasoline to help ensure good cold weather starting.

WARNING: Experience indicates that alcohol blended fuels (called gasohol or using ethanol or methanol) can attract moisture which leads to separation and formation of acids during storage. Acidic gas can damage the fuel system of an engine while in storage. To avoid engine problems, the fuel system should be emptied before storage of 30 days or longer. Drain the gas tank, start the engine and let it run until the fuel lines and carburetor are empty. Use fresh fuel next season. See Storage Instructions for additional information. Never use engine or carburetor cleaner products in the fuel tank or permanent damage may occur.

CAUTION: Fill to bottom of gas tank filler neck. Do not overfill. Wipe off any spilled oil or fuel. Do not store, spill or use gasoline near an open flame.



TO START ENGINE

To start a cold engine, push primer five (5) times before trying to start. Use a firm push. This step is not usually necessary when starting an engine which has already run for a few minutes. Hold operator presence control bar down to the handle and pull starter handle quickly. DO NOT allow starter rope to snap back.

To STOP engine, release operator presence control bar.

NOTE: In cooler weather it may be

necessary to repeat priming steps. In warmer weather over priming may cause flooding and engine will not start. If you do flood engine wait a few minutes before attempting to start and DO NOT repeat priming steps.

MOWING TIPS

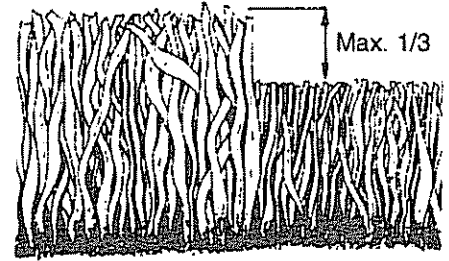
- Under certain conditions, such as very tall grass, it may be necessary to raise the height of cut to reduce pushing effort and to keep from overloading the engine and leaving clumps of grass clippings.
- For extremely heavy cutting, reduce the width of cut by overlapping previously cut path and mow slowly.
- For side discharge lawn mowers, cutting in a counter-clockwise direction, starting at the outside of the area to be cut, spreads grass clippings more evenly and puts less load on the engine. To keep clippings off of walkways, flower beds, etc., make the first cuts in a clockwise direction.
- Pores in cloth grass catchers can become filled with dirt and dust with use and catchers will collect less grass. To prevent this, regularly hose catcher off with water and let dry before using.
- Keep top of engine around starter clear and clean of grass clippings and chaff. This will help engine air flow and extend engine life.

MULCHING MOWING TIPS

IMPORTANT: For best performance, keep mower housing free of built-up grass and trash. Clean underside of mower housing after each use. See "Cleaning" in CUSTOMER RESPONSIBILITIES section of this manual.

- The special mulching blade will recut the grass clippings many times and reduce them in size so that as they fall onto the lawn they will disperse into the grass and not be noticed. Also, the mulched grass will biodegrade quickly to provide nutrients for the lawn. Always mulch with your highest engine (blade) speed as this will provide the best recutting action of the blades.
- Avoid cutting your lawn when it is wet. Wet grass tends to form clumps and interferes with the mulching action. The best time to mow your lawn is the early afternoon. At this time the grass has dried and the newly cut area will not be exposed to the direct sun.

- For best results, adjust the lawn mower cutting height so that the lawn mower cuts off only the top one-third of the grass blades. If the lawn is overgrown it will be necessary to raise the height of cut to reduce pushing effort and to keep from overloading the engine and leaving clumps of mulched grass. For extremely heavy mulching, reduce your width of cut, mow slowly and raise the rear of the lawn mower one wheel adjuster setting higher than the front.
- Certain types of grass and grass conditions may require that an area be mulched a second time to completely hide the clippings. When doing a second cut, mow across or perpendicular to the first cut path.
- Change your cutting pattern from week to week. Mow north to south one week then change to east to west the next week. This will help prevent matting and graining of the lawn.



MAINTENANCE

OWNER RESPONSIBILITIES

MAINTENANCE SCHEDULE		SERVICE INTERVALS				SERVICE DATES					
		BEFORE EACH USE	AFTER EACH USE	EVERY 10 HOURS	EVERY 25 HOURS OR EVERY SEASON						
MOWER	Check for Loose Fasteners	✓				✓					
	Clean/Inspect Grass Catcher (If Equipped)	✓	✓			✓					
	Clean Lawn Mower		✓			✓					
	Clean Under Drive Cover (Power-Propelled Mowers)			✓							
	Check drive belt/pulleys (Power-Propelled Mowers)				✓						
	Check/Sharpen/Replace Blade				✓ ₃						
	Lubrication Chart				✓	✓					
	Clean Battery/Recharge (Electric Start Mowers)				✓	✓ ₄					
ENGINE	Check Engine Oil Level	✓									
	Change Engine Oil				✓ _{1,2}						
	Clean Air Filter				✓						
	Inspect Muffler				✓						
	Clean or Replace Spark Plug				✓						
Replace Air Filter Paper Cartridge				✓ ₂							

- 1 - Change more often when operating under a heavy load or in high ambient temperatures.
- 2 - Service more often when operating in dirty or dusty conditions
- 3 - Replace blades more often when mowing in sandy soil
- 4 - Charge 48 hours at end of season

GENERAL RECOMMENDATIONS

The warranty on this lawn mower does not cover items that have been subjected to operator abuse or negligence. To receive full value from the warranty, operator must maintain mower as instructed in this manual.

Some adjustments will need to be made periodically to properly maintain your unit. The adjustments in the Service and Adjustments section of this manual should be checked at least once each season.

Once a year, replace the spark plug, clean or replace air filter element and check blade for wear. A new spark plug and clean/new air filter element assures proper air-fuel mixture and helps your engine run better and last longer.

Follow the maintenance schedule in this manual.

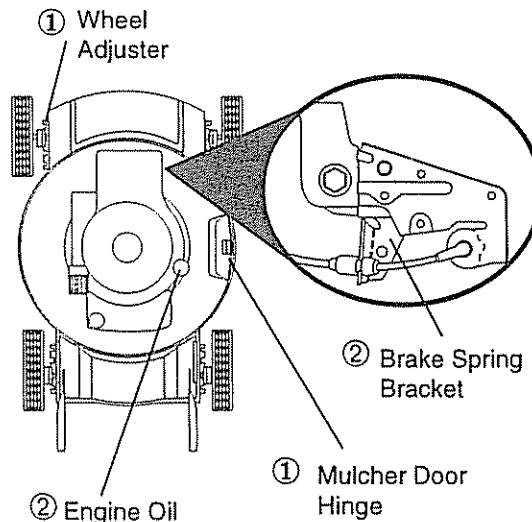
BEFORE EACH USE

- Check engine oil level.
- Check for loose fasteners.

LUBRICATION

Keep unit well lubricated.

LUBRICATION DIAGRAM



- ① Spray Lubricant
- ② Refer to Maintenance "Engine" Section.

IMPORTANT Do not oil or grease plastic wheel bearings. Viscous lubricants will attract dust and dirt that will shorten the life of the self lubricating bearings. If you feel they must be lubricated, use only a dry, powdered graphite type lubricant sparingly.

PRODUCT SPECIFICATIONS

MODEL NUMBER	917.387240
SERIAL NUMBER	
DATE OF PURCHASE	
HORSEPOWER:	6.0
DISPLACEMENT:	11.5 CU. IN.
GASOLINE CAPACITY/ TYPE:	1.5 QUARTS UNLEADED REGULAR
OIL TYPE (API-SF/SG/SH):	SAE 30 (ABOVE 32°F) SAE 5W-30 (BELOW 32°F)
OIL CAPACITY:	20 OZS.
SPARK PLUG(GAP: .030")	CHAMPION J19LM
VALVE CLEARANCE:	INTAKE: .004 - .008 EXHAUST: .004 - .008
SOLID STATE IGNITION	
AIR GAP:	.0125 IN.
BLADE BOLT TORQUE:	35-40 FT. LBS.
<ul style="list-style-type: none"> The model and serial numbers will be found on a decal attached to the rear of the lawn mower housing. Record both serial number and date of purchase in space provided above. 	

LAWN MOWER

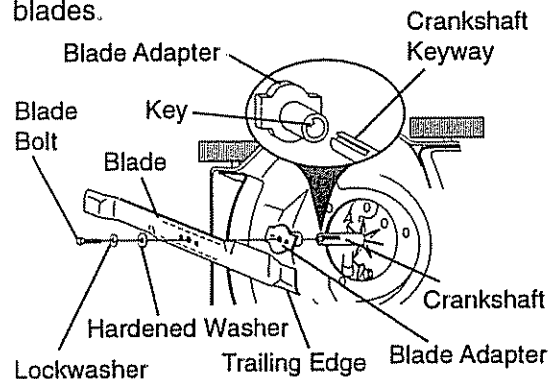
Always observe safety rules when performing any maintenance.

TIRES

- Keep tires free of gasoline, oil, or insect control chemicals which can harm rubber.
- Avoid stumps, stones, deep ruts, sharp objects and other hazards that may cause tire damage.

BLADE CARE

For best results, mower blade must be kept sharp. Replace bent or damaged blades.



TO REMOVE BLADE

- Disconnect spark plug wire from spark plug and place wire where it cannot come in contact with spark plug.
- Turn lawn mower on its side. Make sure air filter and carburetor are up.
- Use a wood block between blade and mower housing to prevent blade from turning when removing blade bolt.
- Protect your hands with gloves and/or wrap blade with heavy cloth.
- Remove blade bolt by turning counter-clockwise. Use a 9/16" box or open-end wrench.
- Remove blade and attaching hardware (bolt, lock washer and hardened washer).

NOTE: Remove the blade adapter and check the key inside hub of blade adapter. The key must be in good condition to work properly. Replace adapter if damaged.

TO REPLACE BLADE

- Position the blade adapter on the engine crankshaft. Be sure key in adapter and crankshaft keyway are aligned.

Position blade on the blade adapter aligning the two (2) holes in the blade with the raised lugs on the adapter. Be sure the trailing edge of blade (opposite sharp edge) is up toward the engine.

Install the blade bolt with the lock washer and hardened washer into blade adapter and crankshaft.

Use block of wood between blade and lawn mower housing and tighten the blade bolt, turning clockwise.

The recommended tightening torque is 35-40 ft. lbs.

IMPORTANT: Blade bolt is grade 8 heat treated.

NOTE: We do not recommend sharpening blade - but if you do, be sure the blade is balanced.

HOW TO SHARPEN BLADE

Care should be taken to keep the blade balanced. An unbalanced blade will cause ventricular damage to lawn mower or engine.

The blade can be sharpened with a file or on a grinding wheel. Do not attempt to sharpen while on the mower.

To check blade balance, drive a nail into a beam or wall. Leave about one inch of the straight nail exposed. Place center hole of blade over the head of the nail. If blade is balanced, it should remain in a horizontal position. If either end of the blade moves downward, sharpen the heavy end until the blade is balanced.

GRASS CATCHER

The grass catcher may be hosed with water, but must be dry when used. Check your grass catcher often for damage or deterioration. Through normal use it will wear. If catcher needs replacing, replace only with a manufacturer approved replacement catcher. Give the lawn mower model number when ordering.

ENGINE

LUBRICATION

Use only high quality detergent oil rated with API service classification SF, SG, or SH. Select the oil's SAE viscosity grade according to your expected operating temperature.



NOTE: Although multi-viscosity oils (5W30, 10W30 etc.) improve starting in cold weather, these multi-viscosity oils will result in increased oil consumption when used above 32°F. Check your engine oil level more frequently to avoid possible engine damage from running low on oil.

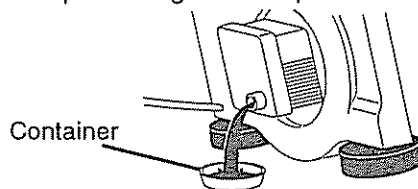
Change the oil after every 25 hours of operation or at least once a year if the lawn mower is not used for 25 hours in one year.

Check the crankcase oil level before starting the engine and after each five (5) hours of continuous use. Tighten oil plug securely each time you check the oil level.

HOW TO CHANGE ENGINE OIL

NOTE: Before tipping lawn mower to drain oil, drain fuel tank by running engine until fuel tank is empty.

- Remove engine oil cap; lay aside on a clean surface.
- Tip lawn mower on its side as shown and drain oil into a suitable container. Rock lawn mower back and forth to remove any oil trapped inside of engine.
- Wipe off any spilled oil on lawn mower and on side of engine.
- Fill engine with oil. Fill only to the "FULL" line on the dipstick. **DO NOT OVER FILL.**
- Replace engine oil cap.

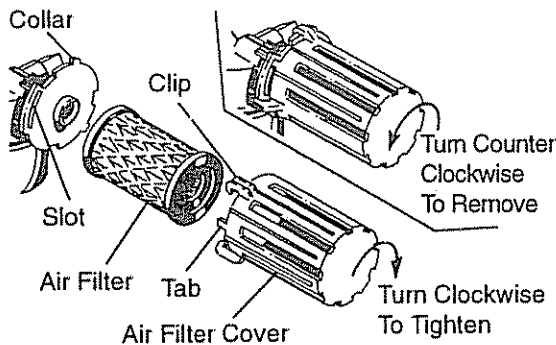


AIR FILTER

Your engine will not run properly and may be damaged by using a dirty air filter. Replace the air filter every year, more often if you mow in very dusty, dirty conditions. Do not wash air filter.

HOW TO CHANGE AIR FILTER

- Remove the air filter by turning counter-clockwise to the stop and pull away from collar.
- Remove filter from inside of cover.
- Clean the inside of the cover and the collar to remove any dirt accumulation.
- Insert new filter into cover.
- Put air filter cover and filter into collar aligning the tab with the slot.
- Push in on cover and turn clockwise to tighten.



MUFFLER

Inspect and replace corroded muffler as it could create a fire hazard and/or damage.

SPARK PLUG

Change your spark plug each year to make your engine start easier and run better. Set spark plug gap at .030 inch.

CLEANING

IMPORTANT: For best performance, keep mower housing free of built-up grass and

trash. Clean the underside of your mower after each use.

CAUTION: Disconnect spark plug wire from spark plug and place wire where it cannot come in contact with the spark plug.

- Turn lawn mower on its side. Make sure air filter and carburetor are up. Clean the underside of your lawn mower by scraping to remove build-up of grass and trash.
- Clean engine often to keep trash from accumulating. A clogged engine runs hotter and shortens engine life.
- Keep finished surfaces and wheels free of all gasoline, oil, etc.
- We DO NOT recommend using a garden hose to clean lawn mower unless the electrical system, muffler, air filter and carburetor are covered to keep water out. Water in engine can result in shortening engine life.

SERVICE AND ADJUSTMENTS

CAUTION: BEFORE PERFORMING ANY SERVICE OR ADJUSTMENTS:

- Release control bar.
- Make sure the blade and all moving parts have completely stopped.
- Disconnect spark plug wire from spark plug and place where it cannot come in contact with plug.

LAWN MOWER

REAR DEFLECTOR

The rear deflector, attached between the rear wheels of your mower, is provided to minimize the possibility that objects will be thrown out of the rear of the mower into the operator mowing position. If the deflector becomes damaged, it should be replaced.

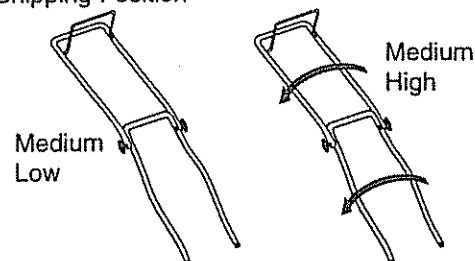
TO ADJUST HANDLE

Your lawn mower handle can be raised or lowered for your mowing comfort. Four (4) positions are available: high, medium high, medium low and low. Handles are shipped mounted in the medium low position.

- To change from medium low to medium high position, the upper and lower handle sections will have to be turned over.
- Remove the cable clips.
- Remove the controls and operator presence control bar from the upper handle.

- Remove hairpin cotters.
- Disconnect the lower handle from the handle brackets.
- Turn the handle over and reassemble the hairpin cotters that have been removed.
- Route cable(s) below crossbar of lower handle and reassemble the controls and the operator presence control bar to the upper handle.

Shipping Position



CAUTION: The operator presence control bar must pivot freely to permit blade/ brake engagement when control bar is released. Do not overtighten the fasteners holding the controls to the upper handle.

- To change from medium low to high position only the upper handle section will have to be turned over.
- To change from medium low to low position, only the lower handle section will have to be turned over.

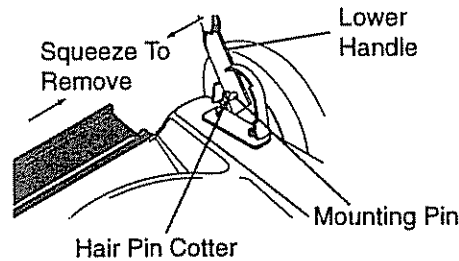
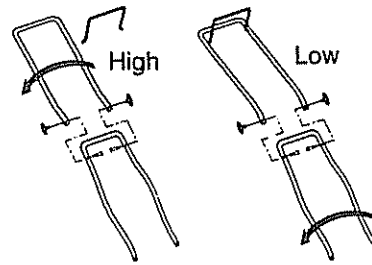
ENGINE

CARBURETOR

Your carburetor has a non-adjustable fixed main jet for mixture control. If your engine does not operate properly due to suspected carburetor problems, take your lawn mower to an authorized Sears service center for repair and adjustment.

ENGINE SPEED

The engine speed has been factory set. Do not attempt to increase engine speed as it may result in personal injury. If you believe the engine is running too fast or too slow, take your lawn mower to an authorized Sears service center for repair and adjustment.



STORAGE

Immediately prepare your lawn mower for storage at the end of the season or if the mower will not be used for 30 days or more.

LAWN MOWER

When your lawn mower is to be stored for a long period of time, clean it thoroughly, remove dirt, grease, leaves, etc. Store in a clean, dry area.

Clean entire lawn mower (See "CLEANING" in the Customer Responsibilities section of this manual).

Lubricate as shown in the Customer Responsibilities section of this manual. Be sure that all nuts, bolts, screws, and pins are securely fastened. Inspect moving parts for damage, breakage and wear. Replace if necessary.

Touch up all rusted or chipped paint surfaces; sand lightly before painting.

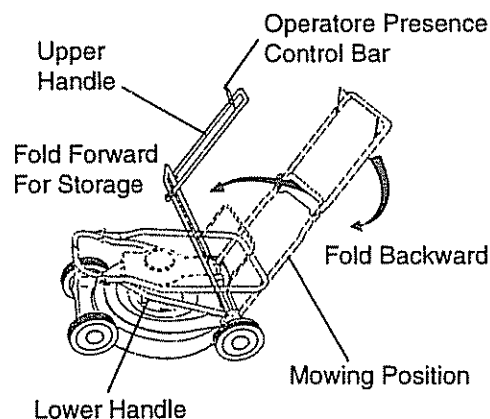
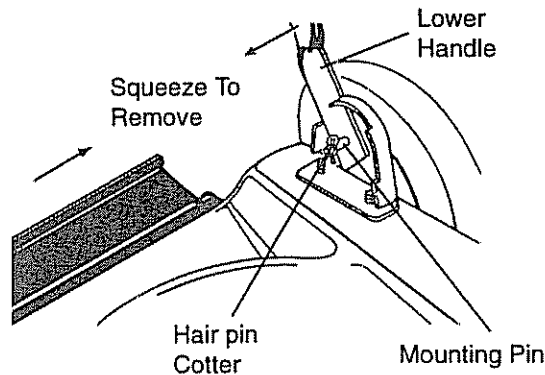
HANDLE

You can fold your lawn mower handle for storage.

Squeeze the bottom ends of the lower handle toward each other until the lower handle clears the handle bracket, then move handle forward.

Loosen upper handle mounting bolts enough to allow upper handle to be folded back.

Important: When folding the handle for storage or transportation, be sure to fold the handle as shown or you may damage the control cables.



ENGINE

FUEL SYSTEM

IMPORTANT: It is important to prevent gum deposits from forming in parts such as carburetor, fuel filter, fuel hose, or tank during storage. Also, experience indicates that alcohol blended fuels (called gasohol

or using ethanol or methanol can attract moisture which leads to separation and formation of acids during storage. Acidic gas can damage the fuel system of an engine while in storage.

- Drain the fuel tank.
- Start the engine and let it run until the fuel lines and carburetor are empty.
- Never use engine or carburetor cleaner products in the fuel tank or permanent damage may occur.
- Use fresh fuel next season.

NOTE: Fuel stabilizer is an acceptable alternative in minimizing the formation of fuel gum deposits during storage. Add stabilizer to gasoline in fuel tank or storage container. Always follow the mix ratio found on stabilizer container. Run engine at least 10 minutes after adding stabilizer to allow the stabilizer to reach the carburetor. Do not drain the gas tank and carburetor if using fuel stabilizer.

ENGINE OIL

Drain oil (with engine warm) and replace with clean engine oil. (See "ENGINE" in the Customer Responsibilities section of this manual).

CYLINDER

- Remove spark plug.
- Pour one ounce (29 ml) of oil through spark plug hole into cylinder.
- Pull starter handle slowly a few times to distribute oil.
- Replace with new spark plug.

OTHER

- Do not store gasoline from one season to another.
- Replace your gasoline can if your can starts to rust. Rust and/or dirt in your gasoline will cause problems.
- If possible, store your unit indoors and cover it to give protection from dust and dirt.
- Cover your unit with a suitable protective cover that does not retain moisture. Do not use plastic. Plastic cannot breathe which allows condensation to form and will cause your unit to rust.

IMPORTANT: Never cover mower while engine and exhaust areas are still warm.

CAUTION: Never store the lawn mower with gasoline in the tank inside a building where fumes may reach an open flame or spark. Allow the engine to cool before storing in any enclosure.

TROUBLESHOOTING CHART

PROBLEM	CAUSE	CORRECTION
Does not start	<ul style="list-style-type: none"> • Dirty air filter. • Out of fuel. • Stale fuel. • Water in fuel. • Spark plug wire is disconnected. • Bad spark plug. • Loose blade or broken blade adapter. • Control bar in released position. • Control bar defective. 	<ul style="list-style-type: none"> • Clean/replace air filter. • Fill fuel tank. • Drain tank and refill with fresh clean fuel. • Drain fuel tank and carburetor and refill tank with fresh gasoline. • Connect wire to plug. • Replace spark plug. • Tighten blade bolt or replace blade adapter. • Depress control bar to handle. • Replace control bar.

TROUBLESHOOTING CHART

PROBLEM	CAUSE	CORRECTION
Loss of power	<ul style="list-style-type: none"> • Rear of lawn mower housing or cutting blade dragging in heavy grass. • Cutting too much grass. • Dirty air filter. • Buildup of grass, leaves, and trash under mower. • Too much oil in engine. • Walking speed too fast. 	<ul style="list-style-type: none"> • Set to "Higher Cut" position. • Set to "Higher Cut" position. • Clean/replace air filter. • Clean underside of mower housing. • Check oil level. • Cut at slower walking speed.
Poor cut – uneven	<ul style="list-style-type: none"> • Worn, bent or loose blade. • Wheel heights uneven. • Buildup of grass, leaves and trash under mower. 	<ul style="list-style-type: none"> • Replace blade. Tighten blade bolt. • Set all wheels at same height • Clean underside of mower housing.
Excessive vibration	<ul style="list-style-type: none"> • Worn, bent or loose blade. • Bent engine crankshaft. 	<ul style="list-style-type: none"> • Replace blade. Tighten blade bolt. • Contact an authorized service center.
Starter rope hard to pull	<ul style="list-style-type: none"> • Engine flywheel brake is on when control bar is released. • Bent engine crankshaft. • Blade adapter broken. • Blade dragging in grass. 	<ul style="list-style-type: none"> • Depress control bar to upper handle before pulling starter rope. • Contact an authorized service center. • Replace blade adapter. • Move lawn mower to cut grass or to hard surface to start engine.
Grass catcher not filling (if so equipped)	<ul style="list-style-type: none"> • Cutting height too low. • Lift on blade worn off. • Catcher not venting air. 	<ul style="list-style-type: none"> • Raise cutting height. • Replace blade. • Clean grass catcher.
Hard to push	<ul style="list-style-type: none"> • Grass is too high or wheel height is too low. • Rear of lawn mower housing or blade dragging in grass. • Grass catcher too full. • Handle height position not right for you. 	<ul style="list-style-type: none"> • Raise cutting height. • Raise rear of lawn mower housing one (1) setting higher. • Empty grass catcher. • Adjust handle height to suit.

TABLA DE MATERIAS

Garantía	16	Especificaciones del Producto	24
Reglas de Seguridad	16	Servicio y Ajustes	26
Montaje	18	Almacenamiento	27
Operación	19	Identificación de problemas	28
Mantenimiento	23	Partes de repuesto	Vea el manual inglés del dueño
Programa de Mantenimiento	23	Orden de Partes	Contratapa

GARANTIA

GARANTÍA LIMITADA DE DOS AÑOS PARA LA SEGADORA A MOTOR CRAFTSMAN

Por dos (2) años, a partir de la fecha de compra, cuando esta Segadora Craftsman se mantenga, lubrique y afine según las instrucciones para la operación y el mantenimiento en el manual del dueño, Sears reparará gratis todo defecto en el material y la mano de obra.

Si la Segadora Craftsman se usa para fines comerciales o de arriendo, esta garantía sólo se aplica por noventa (90) días a partir de la fecha de compra.

Esta Garantía no cubre:

- Artículos que se desgastan durante el uso normal tales como las cuchillas segadoras rotatorias, los adaptadores de la cuchilla, las correas, los filtros de aire y las bujías.
- Reparaciones necesarias debido al abuso o a la negligencia del operador, incluyéndose a los cigüeñales doblados y a la falta de mantenimiento del equipo según las instrucciones que se incluyen en el manual del dueño.

EL SERVICIO DE GARANTÍA ESTA DISPONIBLE al devolver la segadora a motor Craftsman al centro/ departamento de servicio Sears mas cercano en los estados unidos. Esta garantía se aplica solamente mientras el producto este en uso en los Estados Unidos.

Esta Garantía le otorga derechos legales específicos, y puede que también tenga otros derechos que varían de estado a estado.

Sears, Roebuck and Co., D/817WA, Hoffman Estates, IL 60179 USA

REGLAS DE SEGURIDAD

Los estándares de seguridad exigen la presencia del operador en los controles para reducir a un mínimo el riesgo de lesionarse. Su unidad viene equipada con dichos controles. Por ningún motivo trate de eliminar la función de los controles que exigen la presencia del operador.

ENTRENAMIENTO:

- Lea este manual del operador cuidadosamente. Familiarícese con los controles y aprenda a operar su segadora en forma adecuada. Aprenda a parar su segadora rápidamente.
- No permita que los niños usen su segadora. Nunca permita que los adultos operen la segadora sin contar con las instrucciones adecuadas.
- Mantenga el área de operación despejada de gente, especialmente de niños pequeños y de animales domésticos.

- Use la segadora solamente para los fines propuestos por el fabricante y según las explicaciones descritas en este manual.
- No opere la segadora si se ha caído o dañado en cualquiera forma. Siempre repare los daños antes de usarla.
- No use accesorios que no hayan sido recomendados por el fabricante. El uso de dichos accesorios puede ser peligroso.
- La cuchilla gira cuando el motor está funcionando.

PREPARACIÓN:

- Siempre revise cuidadosamente el área que se va a segar y despéjela de todas las piedras, palos, alambres, huesos y otros objetos extraños. Estos objetos serán lanzados con la cuchilla y pueden producir lesiones graves.
- Siempre use anteojos de seguridad o protectores de ojos cuando arranque y durante el tiempo que use la segadora.

isíase en forma adecuada. No opere la segadora sin zapatos o con sandalias mientras que el motor está funcionando. Juegue siempre durante el día o con buena luz artificial.

PRECAUCIÓN:

Mantenga sus ojos y su mente en la segadora y en el área que se está cortando. No permita que otros intereses lo distraigan. No corte césped mojado o resbaloso. Nunca opere mientras esté operando su segadora. Siempre asegúrese de mantener el equilibrio mantenga el mango agarrado firmemente y amine.

No ponga las manos o los pies cerca de debajo de las partes rotatorias. Manténgase alejado de la abertura de descarga en todo momento.

Siempre pare el motor cuando se vaya cuando no esté usando su segadora, o antes de atravesar las entradas para autos, los senderos, caminos y áreas cubiertas de paja.

Nunca dirija la descarga del material hacia los espectadores ni permita a nadie cerca de la segadora mientras la esté operando.

Antes de limpiar, inspeccionar o de reparar la segadora, pare el motor y esté completamente seguro de que la cuchilla y

que todas las partes que se mueven se hayan detenido. Luego, desconecte el alambre de la bujía y manténgalo alejado de la punta para evitar el arranque por accidente.

No continúe haciendo funcionar su segadora si se le pega a un objeto extraño. Siga el procedimiento descrito anteriormente, luego repare cualquier daño antes de volver a arrancar y de operar su segadora.

No cambie los ajustes del regulador o haga que el motor ande a una velocidad excesiva. Se pueden producir daños en el motor y lesiones personales.

No opere su segadora si vibra fuera de lo normal. La vibración excesiva es una indicación de daño; pare el motor, revise en forma segura la causa de la vibración y haga reparaciones según sea necesario.

No haga funcionar el motor en espacios cerrados. Los gases de escape son peligrosos.

Nunca corte el césped tirando la segadora hacia usted. Siegue a través de la cara de las pendientes, nunca hacia arriba o hacia abajo pues puede perder el equilibrio. No juegue pendientes demasiado empinadas.

Tenga cuidado cuando opere la segadora en terreno desigual o cuando cambie de dirección – mantenga un buen equilibrio.

- Nunca opere la segadora sin las protecciones adecuadas, las planchas, el recogedor de césped y otros dispositivos de seguridad en su lugar.

MANTENIMIENTO Y ALMACENAMIENTO:

- Revise la cuchilla y los pernos de montaje del motor a menudo, para asegurarse que están apretados en la forma adecuada.
- Revise todos los pernos, tuercas y tornillos a intervalos frecuentes, para verificar si están apretados en forma adecuada, y asegurarse que la segadora se encuentra en condiciones de funcionamiento seguro.
- Mantenga todos los dispositivos de seguridad en su lugar y listos para funcionar.
- Para reducir el peligro de incendio, mantenga el motor sin césped, hojas y grasa o aceite en exceso.
- Revise el recogedor de césped a menudo para verificar si hay deterioro y desgaste y cambie las bolsas desgastadas. Use solamente las bolsas de repuesto recomendadas por el fabricante de su segadora o que cumplen con las especificaciones de éste.
- Siempre mantenga una cuchilla afilada en su segadora.
- Siempre permita que el motor se enfríe antes de guardarla en cualquier recinto cerrado.
- Nunca guarde la segadora con combustible en el estanque dentro de un edificio endonde los gases pueden alcanzar una llama expuesta o una fuente de ignición, tal como el calentador de agua, la estufa de calefacción, la secadora de ropa, etc.

PRECAUCIÓN: Siempre desconecte el alambre de la bujía y póngalo donde no pueda entrar en contacto con la bujía, para evitar el arranque por accidente, durante la preparación, el transporte, el ajuste o cuando se hacen reparaciones.

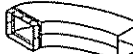





PRECAUCIÓN: Es conocido por el Estado de California que los gases de escape del motor de este productor contienen químicos los cuales a ciertos niveles, pueden ocasionar, cáncer, defectos de nacimiento, y otros daños al sistema reproductivo.

ACCESORIOS PARA LA SEGADORA


Estos accesorios estaban disponibles cuando se produjo la segadora. También están disponibles en la mayoría de las tiendas de Sear y en los centro de servicio. La mayoría de las tiendas Sears también pueden mandar a

pedir partes de repuesto para usted, si les proporciona el número del modelo de su segadora. Algunos de estos accesorios tal vez no se apliquen a su segadora.

RENDIMIENTO DE LA SEGADORA

 DESVIADOR DE RECORTES PARA SEGADORAS CON DESCARGA TRASERA	 JUEGOS PARA LA ACOLCHADORA	 ESTABILIZADORES
 RECORDOR PARA SEGADORAS CON DESCARGA TRASERA	 RECORDOR PARA SEGADORAS CON DESCARGA LATERAL	 ENVASES DE GASOLINA

MANTENIMIENTO DE LA SEGADORA

 SILENCIADORES	 FILTROS DE AIRE	 BUJÍAS
 CORREAS	 CUCHILLAS	 ADAPTADORES DE CUCHILLA
 RUEDAS		 ACEITE DEL MOTOR

MONTAJE

Lea estas instrucciones y este manual completamente antes de tratar de montar u operar su segadora nueva. Su segadora nueva ha sido montada en la fábrica con la excepción de aquellas partes que se dejaron sin montar por razones de envío. Todas las partes como las tuercas, las arandelas, los pernos, etc., que son necesarias para completar el montaje han sido colocadas en la bolsa de partes. Para asegurarse que su segadora funcione en forma segura y adecuada, todas las partes y los artículos de ferretería que se monten tienen que ser apretados seguramente. Use las herramientas correctas, como sea necesario, para asegurar que se aprieten adecuadamente.

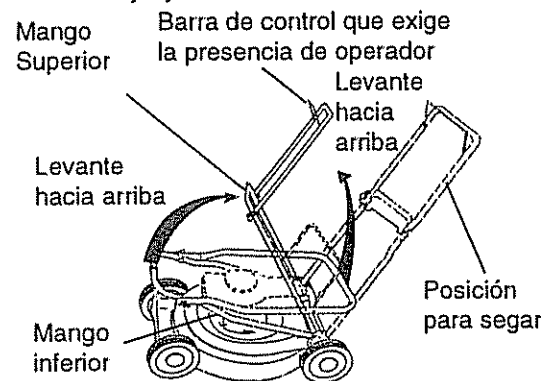
PARA REMOVER LA SEGADORA DE LA CAJA DE CARTÓN

- Remueva las partes sueltas que se incluyen con la segadora.
- Corte las dos esquinas de los extremos de la caja de cartón y tienda el panel del extremo plano.
- Remueva todo el material de empaque, excepto la cuña entre el mango superior y él inferior, y la cuña que sujeta la barra de los control que exige la presencia del operador junto con el mango superior.
- Haga rodar la segadora hacia afuera de la caja de cartón y revísela cuidadosamente para verificar si todavía quedan partes sueltas adicionales.

COMO PREPARAR SU SEGADORA PARA DESDOBLAR EL MANGO

Importante: Despliegue el mango con mucho cuidado para no pellizcar o dañar los cables de control.

- Levante los mangos hasta que la sección del mango inferior se asegure en su lugar, en la posición para segar.
- Remueva la cuña protectora, levante la sección del mango superior hasta su lugar en el mango inferior, y apriete ambas manillas del mango.
- Remueva la cuña del mango que sujeta la barra de los control que exige la presencia del operador junto con el mango superior.
- El mango de la segadora puede ajustarse según le acomode para segar. Refiérase a "AJUSTE DEL MANGO" en la Sección de Servicio y Ajustes de este manual.

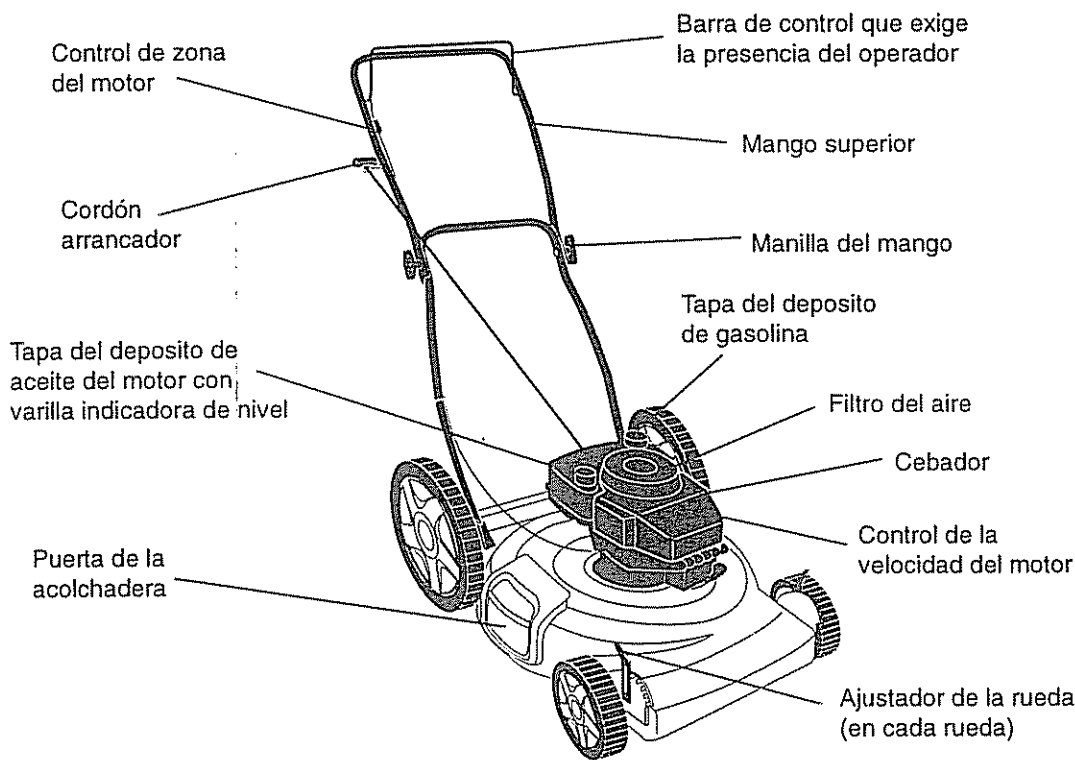


OPERACIÓN

FAMILIARICESE CON SU SEGADORA

LEA ESTE MANUAL DEL DUEÑO Y LAS REGLAS DE SEGURIDAD ANTES DE OPERAR SU SEGADORA. Compare las ilustraciones con su segadora para familiarizarse con la ubicación de los diversos controles y ajustes. Guarde este manual para referencia en el futuro.

Estos símbolos pueden aparecer sobre su segadora o en la literatura proporcionada con el producto. Aprenda y comprenda sus significados.



CUMPLE CON LOS REQUISITOS DE SEGURIDAD DE LA CPSC

Las segadoras a motor, que se conducen desde la parte de atrás, rotatorias, Sears, cumplen con los estándares de seguridad del American National Standards Institute y de la U.S. Consumer Product Safety Commission. La cuchilla gira cuando el motor está funcionando.

BARRA DE CONTROL QUE EXIGE LA PRESENCIA DEL OPERADOR – tiene que sujetarse abajo, junto con el mango, para hacer arrancar el motor. Suéltela para parar el motor.
PUERTA DE LA ACOLCHADERA – permite la conversión para la operación de descarga o ensacado.

CEBADOR – bombea combustible adicional desde el carburador al cilindro para uso cuando se necesita hacer arrancar un motor frío.

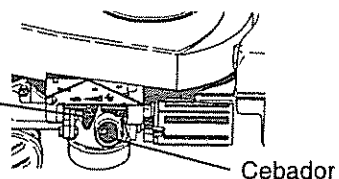
CORDÓN ARRANCADOR – se usa para hacer arrancar el motor.

PALANCA DE CONTROL DE LA VELOCIDAD DEL MOTOR – situada en la parte lateral del motor y le permite seleccionar las velocidades del motor ya sea rápida o lenta.

COMO USAR SU SEGADORA CONTROL DE LA VELOCIDAD DEL MOTOR

La velocidad del motor se controla por medio de una palanca ubicada en el lado del motor. La posición de rápido se usa para arrancar el motor, para el corte normal y un mejor ensacamiento del césped. La posición lento es para corte liviano, recorte y para economizar combustible.

Palanca de control de la velocidad del motor



CONTROL DE ZONA DEL MOTOR

PRECAUCIÓN: Las regulaciones federales exigen que se instale un control para el motor en esta segadora para reducir a un mínimo el riesgo de lesionarse debido al contacto con la cuchilla. Por ningún motivo trate de eliminar la función del control del operador. La cuchilla gira cuando el motor está funcionando.

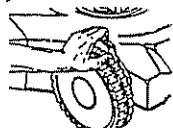
- Su segadora viene equipada con una barra de control que exige la presencia del operador, lo que requiere que el operador esté detrás del mango de la segadora para hacerla arrancar y operarla.

PARA AJUSTAR LA ALTURA DE CORTE

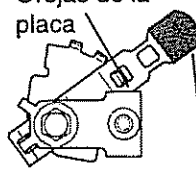
- Levante las ruedas para el corte bajo y baje las ruedas para el corte alto.
- Ajuste la altura de corte para que se acomode a sus requisitos. La posición del medio es la mejor para la mayoría de los céspedes.
- Para cambiar la altura de corte, empuje la palanca del ajustador hacia la rueda. Mueva la rueda hacia arriba o hacia abajo de modo que se acomode a sus requisitos. Asegúrese que todas las ruedas queden igualmente ajustadas.

ATENCIÓN: El ajustador esta correctamente colocado cuando las orejas de la placa están insertadas en el agujero del mango. También, los ajustes de 9 posiciones (si equipado) permiten que el mango pueda ser movido entre las orejas de la placa.

Para un corte alto, baje las ruedas



Orejas de la placa



Mango

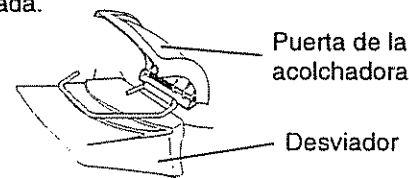
Para un corte bajo, levante las ruedas

PRECAUCIÓN: No opere su segadora sin la puerta de la acolchadora asegurada en su posición, sin el desviador de descarga en su lugar o sin el recogedor de césped, aprobados, en su lugar.

AVISO: Su segadora ha sido enviada lista para la operación de acolchado. Para convertirla para la operación de descarga tiene que instalar el accesorio del desviador de descarga que viene incluido con su segadora.

PARA INSTALAR EL DESVIADOR DE DESCARGA

- Abra el seguro de la puerta de la acolchadora levantándolo según se muestra.
- Levante la puerta hacia arriba en su bisagra hasta que el bastidor del desviador pueda ser enganchado sobre el puntal de montaje de la puerta, según se muestra.
- Suelte la puerta para que descansa en contra del bastidor del desviador.
- Para volver a la operación de acolchado, siga los pasos anteriores en el orden inverso y asegúrese que la puerta está en la posición asegurada.



ANTES DE HACER ARRANCAR EL MOTOR

ACEITE

Su segadora fue enviada sin aceite en el motor.

- Asegúrese que la segadora esté nivelada y que el área alrededor del depósito de aceite esté limpia.
- Remueva la tapa del depósito de aceite del motor con la varilla indicadora de nivel y rellene hasta la línea de lleno en ésta.
- Use 20 oz. de aceite. Para el tipo y la calidad vea "MOTOR" en la sección de las Responsabilidades del Cliente en este manual.
- Vacíe el aceite lentamente. No lo llene demasiado.
- Revise el nivel del aceite antes de cada uso. Agregue aceite si es necesario. Llene hasta la línea de lleno en la varilla indicadora de nivel.
- Para leer el nivel adecuado, apriete la tapa del depósito de aceite del motor cada vez.
- Vuelva a instalar la tapa del depósito del aceite y apriétela.
- Cambie el aceite después de 25 horas de operación o por lo menos una vez al año si la segadora se utiliza menos 25 horas al año. Puede necesitar cambiar el aceite más a menudo cuando las condiciones son pólvoras o sucias.

GASOLINA

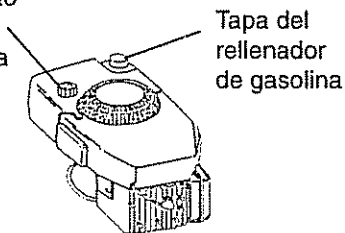
- Llene el estanque de combustible. Use gasolina regular, sin plomo, nueva y limpia con el mínimo de 87 octanos. (El uso de gasolina con plomo aumentará los depósitos de óxido de plomo y carbono y se reducirá la duración de la válvula). No mezcle el aceite con la gasolina. Para asegurar que la gasolina utilizada sea fresca compre estanques los cuales puedan ser utilizados durante los primeros 30 días.

IMPORTANTE: CUANDO SE OPERE EN TEMPERATURAS POR DEBAJO DE 32° F (0° C) USE GASOLINA DE CALIDAD DE INVIERNO, LIMPIA Y NUEVA PARA AYUDAR A ASEGURAR UN BUEN ARRANQUE EN CLIMA FRIO.

ADVERTENCIA: La experiencia ha indicado que los combustibles mezclados con alcohol (conocidos como gasohol, o el uso de etanol o metanol) pueden atraer la humedad, la que conduce a la separación y formación de ácidos durante el almacenamiento. La gasolina acidica puede dañar el sistema del combustible de un motor durante el almacenamiento. Para evitar los problemas con el motor, se debe vaciar el sistema de combustible antes de guardarlo por un periodo de 30 días o más. Vacíe el estanque de combustible, haga arrancar el motor y hágalo funcionar hasta que las líneas del combustible y el carburador queden vacíos. La próxima temporada use combustible nuevo. Vea las Instrucciones para el Almacenamiento para más información. Nunca use productos de limpieza para el motor o para el carburador en el estanque del combustible pues se pueden producir daños permanentes.

PRECAUCIÓN: Llene hasta la parte inferior del cuello de relleno del estanque de gasolina. No lo llene demasiado. Limpie el aceite o el combustible derramado. No almacene, derrame o use gasolina cerca de una llama expuesta.

Tapa del deposito de aceite con varilla indicadora de nivel



PARA HACER ARRANCAR EL MOTOR

- Para hacer arrancar un motor frío, empuje el cebador cinco (5) veces antes de tratarlo. Use un empuje firmemente. Este paso normalmente no es necesario cuando se hace arrancar un motor que ya ha estado funcionando por unos cuantos minutos.
- Sujete la barra de control que exige la presencia del operador abajo en el mango y tire el mango del arrancador rápidamente. No permita que el cordón del arrancador se devuelva abruptamente.

- Para parar el motor, suelte la barra de control que exige la presencia del operador.

AVISO: En climas más fríos puede que sea necesario repetir los pasos del cebado. En climas más calurosos el cebar demasiado puede producir el ahogo y el motor no va a arrancar. Si se ahoga el motor espere unos cuantos minutos antes de tratar de hacerlo arrancar y no repita los pasos del cebado.

CONSEJOS PARA SEGAR

- Bajo ciertas condiciones, tal como césped muy alto, puede ser necesario el elevar la altura del corte para reducir el esfuerzo necesario para empujar la segadora y para evitar sobrecargar el motor, dejando montones de recortes de césped.
- Para un corte muy pesado, reduzca el ancho del corte pasando parcialmente por encima del lugar anteriormente cortado y siegue lentamente.
- Si las segadoras de descarga lateral cortan en una dirección contraria a las manillas del reloj, si se empieza en la parte de afuera del área que se va a cortar, se repartirán los recortes del césped en forma más pareja y el motor se cargará menos. Para evitar que los recortes caigan en los senderos, en las flores, etc., haga los primeros cortes en la dirección de las manillas del reloj.
- Los poros en los recogedores de césped de tela pueden llenarse con mugre y polvo con el uso y los recogedores recaudarán menos césped. Para evitar esto, rocíe el recogedor con la manguera de agua, regularmente, y déjelo secarse antes de usarlo.
- Mantenga la parte superior del motor, alrededor del arrancador, despejada y sin recortes de césped y paja. Esto ayudará el flujo del aire del motor y extenderá la duración éste.

CONSEJOS PARA SEGAR Y ACOLCHAR

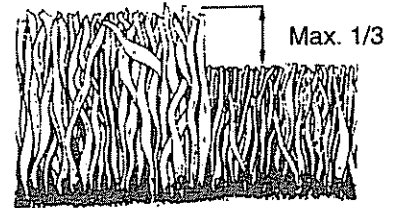
Important: Para obtener el mejor rendimiento mantenga la caja de la segadora sin acumulación de césped y basura. Vea "limpieza" en la sección de responsabilidades del cliente de este manual.

- La cuchilla acolchadora especial va a volver a cortar los recortes de césped muchas veces, y los reduce en tamaño, de modo que si se caen en el césped se van a disipar entre éste y no se van a notar. También, el césped acolchado se va a deshacer rápidamente entregando substancias nutritivas para el césped. Siempre acolche con la velocidad del motor (cuchilla) más alta, pues así se obtendrá la mejor acción de recorte de las cuchillas.
- Evite cortar el césped cuando esté mojado. El césped mojado tiende a formar montones e interfiere con la acción de acolchado. La mejor hora para segar el césped es temprano en la tarde. A esa hora éste se ha secado y el área recién cortada no quedará expuesta al sol directo.

- Para obtener los mejores resultados, ajuste la altura del corte de la segadora de modo que ésta corte solamente el tercio superior de las hojas de césped. En el caso de que el césped haya crecido demasiado, puede ser necesario el elevar la altura del corte para reducir el esfuerzo necesario para empujar la segadora y para evitar sobrecargar el motor, dejando montones de recortes de césped. Para un acolchamiento muy pesado, reduzca el ancho del corte pasando por encima del lugar anteriormente cortado y siegue lentamente.
- Ciertos tipos de césped y sus condiciones pueden exigir que un área tenga que ser acolchada por segunda vez para esconder

completamente los recortes. Cuando se haga el segundo corte, siegue atravesado o en forma perpendicular a la pasada del primer corte.

- Cambie su patrón de corte de semana a semana. Siegue de norte a sur una semana y luego cambie de este a oeste la próxima semana. Esto evitará que el césped se enrede y cambie de dirección.



MANTENIMIENTO

RESPONSABILIDADES DEL CLIENTE

PROGRAMA DE MANTENIMIENTO		FECHAS DE SERVICIO				
LLENE LAS FECHAS A MEDIDA QUE COMPLETE SU SERVICIO REGULAR		ANTES DE CADA USO	DESPUES DE CADA USO	CADA 10 HORAS	CADA 25 HORAS O CADA TEMPORADA	ANTES DEL ALMACENAMIENTO
SE G A D O R A	Revisar si hay sujetadores sueltos	✓			✓	
	Limpiar/inspeccionar el recogedor de césped (si viene equipado)	✓	✓		✓	
	Limpiar la segadora		✓		✓	
	Limpiar debajo de la cubierta de la transmisión (segadoras cor. poder propulsor)			✓		
	Revisar las correas y las poleas impulsadas (segadoras con poder propulsor)			✓		
	Revisar o/afilarse/cambiar la cuchilla			✓ ³		
	Tabla de lubricación			✓	✓	
M O T O R	Limpiar la batería/recargar (segadoras con arranque eléctrico)			✓	✓ ⁴	
	Revisar el nivel del aceite	✓				
	Cambiar el aceite del motor			✓ ^{1,2}		
	Limpiar el filtro de aire			✓ ²		
	Inspeccionar el silenciador			✓		
	Limpiar o/cambiar la bujía			✓		
	Cambiar el cartucho de papel del filtro de aire			✓ ²		

- 1 - Cambiar más a menudo cuando se opere bajo carga pesada o en ambientes con altas temperaturas
- 2 - Dar servicio más a menudo cuando se opere en condiciones sucias o polvorosas
- 3 - Cambie las cuchillas más a menudo cuando sigue en terreno arenoso
- 4 - Cargar por 48 horas al fin de la temporada.

RECOMENDACIONES GENERALES

La garantía de esta segadora no cubre los artículos que han estado sujetos al abuso o a la negligencia del operador. Para recibir todo el valor de la garantía, el operador tiene que mantener la segadora según las instrucciones descritas en este manual.

Hay algunos ajustes que se tienen que hacer en forma periódica para poder mantener su unidad adecuadamente.

Todos los ajustes en la sección de Servicio y Ajustes de este manual tienen que ser revisados por lo menos un vez por cada temporada.

- Una vez al año, cambie la bujía, limpie o cambie el elemento del filtro de aire y revise si la cuchilla está desgastada. Una bujía nueva y un elemento del filtro de aire limpio/nuevo aseguran la mezcla de aire-combustible adecuada y ayudan a que su motor funcione mejor y que dure más.
- Siga el programa de mantenimiento en este manual.

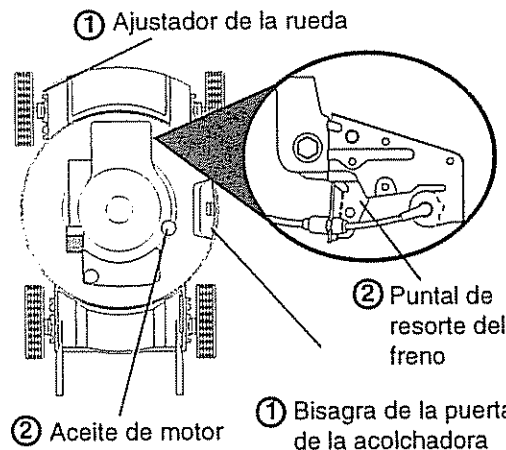
ANTES DE CADA USO

- Revise el nivel del aceite del motor.
- Revise si hay sujetadores sueltos.

LUBRICACIÓN

Mantenga la unidad bien lubricada

TABLA DE LUBRICACIÓN



- 1 Rocíe el lubricante
 - 2 Refierase a la sección de responsabilidades del cliente en "motor"
- Importante:** No aceite o engrase los rodamientos de la rueda de plástico. Los lubricantes viscosos atraerán polvo y mugre, lo que acortará la duración de los rodamientos autolubrificantes. Si cree que tienen que lubricarse, use solamente un lubricante tipo grafito, de polvo seco, en forma moderada.

ESPECIFICACIONES DEL PRODUCTO

NÚMERO DE MODELO	917.387240	
NÚMERO DE SERIE		
FECHA DE COMPRA		
CABALLOS DE FUERZA:	6.0	
DESPLAZAMIENTO:	11.5 CU. IN.	
CAPACIDAD Y TIPO DE GASOLINA:	1.5 Cuartos REGULAR SIN PLOMO	
TIPO DE ACEITE: (API-SF/SG/SH)	SAE 30 (sobre 32°F) SAE 5W-30 (debajo 32°F)	
CAPACIDAD DE ACEITE:	20 oz. de capacidad	
BUJÍA (ABERTURA: .030")	CHAMPION J19LM	
TOLERANCIA DE VALVULA:	ADMISIÓN:	.004 - .008
	DESCARGA:	.004 - .008
SENCENDIDO DE ESTADO SOLIDO ABERTURA DE AIRE:	.0125 IN.	
TORSIÓN DEL PERNO DE LA CUCHILLA:	35-40 FT. LBS.	
<p>El número del modelo y el de serie se encuentran en la calcomanía adjunta a la parte trasera de la caja de la segadora. Debe registrar tanto el número de serie como la fecha de compra y manténgalos en un lugar seguro para referencia en el futuro.</p>		

SEGADORA

Siempre observe las reglas de seguridad cuando haga el mantenimiento.

LLANTAS

- Mantenga las llantas sin gasolina, aceite o sustancias químicas para control de insectos que pueden dañar la goma.
- Evite los tocones, las piedras, las grietas profundas, los objetos afilados y otros peligros que pueden dañar a las llantas.

CUIDADO DE LA CUCHILLA

Para obtener los mejores resultados, la cuchilla de la segadora tienen que mantenerse afiladas. Cambie la cuchilla doblada o dañada.

PARA REMOVER LA CUCHILLA

- Desconecte el alambre de la bujía y póngalo en donde no pueda entrar en contacto con ésta.
- Haga descansar la segadora en su lado. Asegúrese que el filtro de aire y que el carburador queden mirando hacia arriba.
- Use un bloque de madera entre la cuchilla y la caja de la segadora para evitar que la cuchilla gire cuando se le quite el perno.
- Proteja sus manos con guantes y/o envuelva la cuchilla con una tela gruesa.

- Remueva el perno de la cuchilla girándolo en el sentido contrario en que giran las manillas del reloj.
- Remueva la cuchilla y los artículos de ferretería adjuntos (el perno, la arandela de seguridad y la arandela endurecida).

AVISO: Remueva el adaptador de la cuchilla y revise el cubo interior de la ranura del adaptador de la cuchilla. La ranura tiene que estar en buenas condiciones para que funcione en forma adecuada. Cambie el adaptador si está dañado.

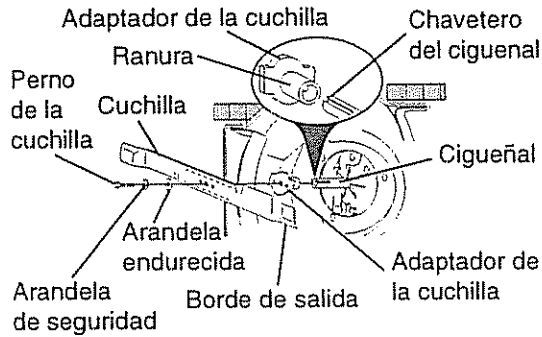
PARA CAMBIAR LA CUCHILLA

- Ponga el adaptador de la cuchilla en el cigueñal del motor. Asegúrese que la ranura del adaptador y que el chavetero del cigueñal estén alineados.
- Ponga la cuchilla en el adaptador de ésta alineando los dos (2) agujeros en la cuchilla con las salientes elevadas en el adaptador.
- Asegúrese de que el borde de salida de la cuchilla (opuesto al borde afilado) esté hacia arriba hacia el motor.
- Instale el perno de la cuchilla con la arandela de seguridad y la arandela endurecida en el adaptador de la cuchilla y el cigueñal.

- Use un bloque de madera entre la cuchilla y la caja de la segadora y apriete el perno de la cuchilla girándolo en el sentido en que giran las manillas del reloj.
- La torsión para apretar recomendada es de 35 – 40 pies libras.

Importante: El perno de la cuchilla es clase 8 tratado a calor.

AVISO: No recomendamos el afilar la cuchilla – pero si lo hace, asegúrese de que quede balanceada.



PARA AFILAR LA CUCHILLA

Se tiene que tener cuidado de mantenerla balanceada. Una cuchilla que no está balanceada va a producir eventualmente daño en la segadora o en el motor.

- La cuchilla puede afilarse con una lima o en una rueda rectificadora. No trate de afilarla mientras se encuentra en la segadora.
- Para revisar el balance de la cuchilla, clave un clavo en una viga o en la pared. Deje alrededor de una pulgada de un clavo recto expuesto. Ponga el agujero central de la cuchilla sobre la cabeza del clavo. Si la cuchilla está balanceada debe permanecer en la posición horizontal. Si cualquiera de los extremos de la cuchilla se mueve hacia abajo, afile el extremo pesado hasta que ésta quede balanceada.

RECOGEDOR DE CÉSPED

- El recogedor de césped puede ser rociado con el agua de la manguera pero tiene que estar seco cuando se vaya a usar.
- Revise su recogedor de césped a menudo para verificar si está dañado o deteriorado. Se va a desgastar con el uso normal. Si se necesita cambiar el recogedor, cámbielo solamente por uno que sea aprobado por el fabricante. Dé el número del modelo de la segadora cuando lo ordene.

MOTOR

LUBRICACIÓN

Use solamente aceite de detergente de alta calidad clasificado con la clasificación SF, SG, o SH de servicio API. Seleccione la calidad de



viscosidad SAE según su temperatura de operación esperada.

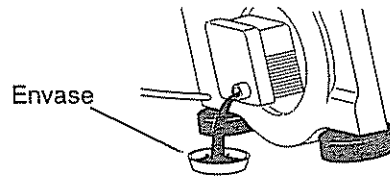
AVISO: A pesar de que los aceites de multiviscosidad (5W30, 10W30, etc.) mejoran el arranque en clima frío, estos aceites de multiviscosidad van a aumentar el consumo de aceite cuando se usan en temperaturas sobre 32° F. Revise el nivel del aceite del motor más a menudo, para evitar un posible daño en el motor, debido a que no tiene suficiente aceite.

Cambie el aceite después de 25 horas de operación o por lo menos una vez al año si la segadora se utiliza menos 25 horas el año.

Revise el nivel del aceite del cárter antes de arrancar el motor y después de cada cinco (5) horas de uso continuado. Apriete el tapón del aceite en forma segura cada vez que revise el nivel del aceite.

PARA CAMBIAR EL ACEITE DEL MOTOR

- Desconecte el alambre de la bujía y póngalo de modo que no pueda entrar en contacto con ésta.
- Remueva la tapa del depósito del aceite; déjela a un lado en una superficie limpia.
- Incline la segadora y hágala descansar en su lado y drene el aceite en un envase adecuado. Mueva la segadora de atrás para adelante para remover todo el aceite que se haya quedado atrapado dentro del motor.
- Limpie todo el aceite derramado en la segadora y en el lado del motor.
- Llène el motor con aceite. Llénelo solamente hasta la línea de lleno (FULL) en la varilla indicadora de nivel. **NO LO LLENE DEMASIADO.**
- Vuelva a poner la tapa en el depósito del aceite.
- Vuelva a conectar el alambre de la bujía a



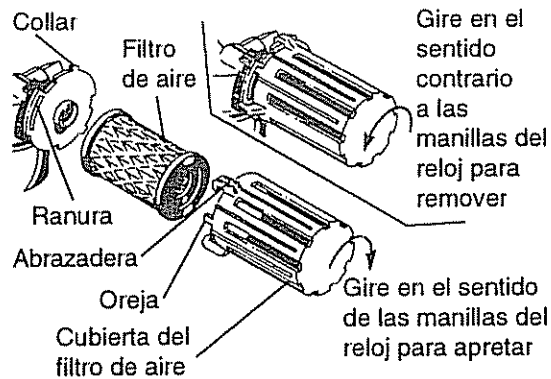
FILTRO DE AIRE

Su motor no funcionará en forma adecuada y puede sufrir daños si se usa un filtro de aire sucio.

Cambie el filtro de aire cada año, y más a menudo si siega en condiciones muy polvorosas o sucias. No lave el filtro de aire.

PARA CAMBIAR EL FILTRO DE AIRE

- Remueva el filtro de aire girándolo en el sentido contrario en que giran las manillas del reloj, hasta el tope, y retírelo del collar.
- Remueva el filtro de la parte interior de la cubierta.
- Limpie la parte interior de la cubierta y el collar para remover toda acumulación de mugre.



- Inserte el filtro nuevo en la cubierta.
- Ponga la cubierta del filtro de aire dentro del collar alineando la oreja con la ranura.
- Empuje la cubierta hacia adentro y gírela en el sentido de las manillas del reloj para apretarla.

ésta.

SILENCIADOR

Inspeccione y cambie el silenciador si está corroído pues producir un peligro de incendio y/ o daño.

BUJÍA

Cambie su bujía cada año para hacer que su motor arranque más fácilmente y funcione

mejor. Ajuste la abertura de la bujía en 0,03 pulgada.

LIMPIEZA

Importante: Para obtener el mejor rendimiento, mantenga la caja de la segadora sin acumulación de césped y basura. Limpie la parte de abajo de su segadora despues de cada uso.

PRECAUCIÓN: Desconecte el alambre de la bujía y póngalo en donde no pueda entrar en contacto con ésta.

- Haga descansar la segadora en su lado. Asegúrese que el filtro de aire y que el carburador queden mirando hacia arriba. Limpie la parte inferior de su segadora raspándola para remover la acumulación de césped y basura.
- Limpie el motor a menudo para evitar que se acumule la basura. Un motor tapado funciona más caliente y se acorta su duración.
- Mantenga las superficies pulidas y las ruedas sin gasolina, aceite, etc.
- No recomendamos el uso de una manguera de jardín para limpiar la segadora a menos que el sistema eléctrico, el silenciador, el filtro de aire y el carburador estén tapados para evitar que les entre el agua. El agua en el motor puede acortar la duración de éste.

SERVICIO Y AJUSTES

SEGADORA

DESVIADOR TRASERO

Se proporciona un desviador trasero, adjunto entre las ruedas traseras de su segadora, para reducir a un mínimo la posibilidad que objetos sean lanzados hacia afuera de la parte trasera de la segadora, en la posición en donde se encuentra el operador. Si se daña el desviador debe cambiarse.

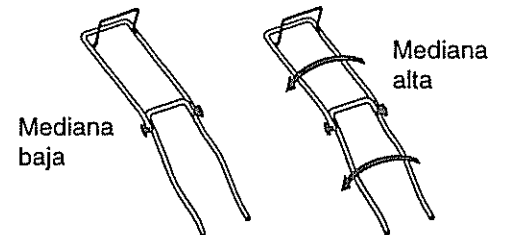
PARA AJUSTAR EL MANGO

Se puede levantar o bajar el mango de su segadora según le quede cómodo. Hay cuatro (4) posiciones disponibles: alta, mediana alta, mediana baja, baja. Los mangos se envían montados en la posición mediana baja.

- Para cambiar de la posición mediana baja a mediana alta, la sección superior y la inferior del mango tendrán que darse vuelta.
- Remueva las abrazaderas del cable.
- Remueva los controles y la barra de control que exige la presencia del operador del mango superior.
- Remueva la guía del cordón arrancador del mango inferior.
- Remueva las clavijas de horquilla.
- Desconecte el mango inferior de los puntales del mango.
- De vuelta el mango y vuelva a montar las clavijas de horquilla que se habían removido.

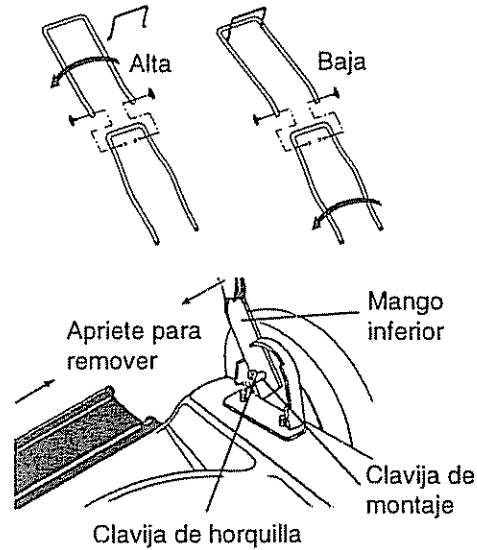
- Vuelva a montar la guía del cordón arrancador.
- Vuelva a montar los controles y la barra de control que exige la presencia del operador en el mango superior.

Posición de envío



PRECAUCIÓN: La barra de control que exige la presencia del operador tiene que pivotar libremente para permitir el enganche de la cuchilla/freno cuando se suelta la barra de control. No apriete demasiado los sujetadores que sujetan a los controles al mango superior.

- Para cambiar de la posición de mediana baja a alta solamente se tendrá que dar vuelta la sección del mango superior.
- Para cambiar de la posición mediana baja a baja, solamente se tendrá que dar vuelta la sección del mango inferior.



MOTOR VELOCIDAD DEL MOTOR

La velocidad del motor ha sido ajustada en la fábrica. No trate de aumentar la velocidad del motor pues se pueden producir lesiones personales. Si cree que el motor está funcionando demasiado rápido o demasiado lento, lleve su segadora a un centro/departamento de servicio autorizado para repararla o ajustarla.

CARBURADOR

Su carburador tiene un chorro principal fijo no ajustable para controlar la mezcla. Si su motor no está funcionando en forma adecuada debido a problemas que se sospecha vienen del carburador, lleve su segadora a un centro/departamento de servicio autorizado para repararla y/o ajustarla.

ALMACENAMIENTO

Inmediatamente prepare su segadora para el almacenamiento al final de cada temporada o si la unidad no se va a usar por 30 días o más.

SEGADORA

Cuando se va a guardar la segadora por cierto período de tiempo, límpiela cuidadosamente, remueva toda la mugre, la grasa, las hojas, etc. Guárdela en un área limpia y seca.

- Limpie toda la segadora (Vea "LIMPIEZA" en la sección de Responsabilidades del Cliente de este manual).
- Lubríquela según se muestra en la sección de Responsabilidades del Cliente de este manual.
- Asegúrese de que todas las tuercas y clavijas y todos los pernos y tornillos estén apretados en forma segura. Inspeccione las partes que se mueven para verificar si están dañadas, quebradas o desgastadas. Cámbielas si es necesario.
- Retoque todas las superficies que estén oxidadas o con la pintura picada; use una lija antes de pintar.

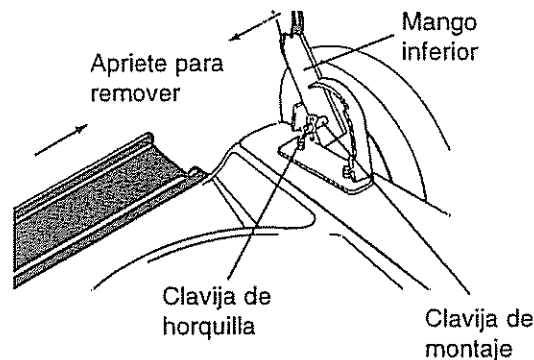
MANGO

Puede doblar el mango de su segadora para almacenarla.

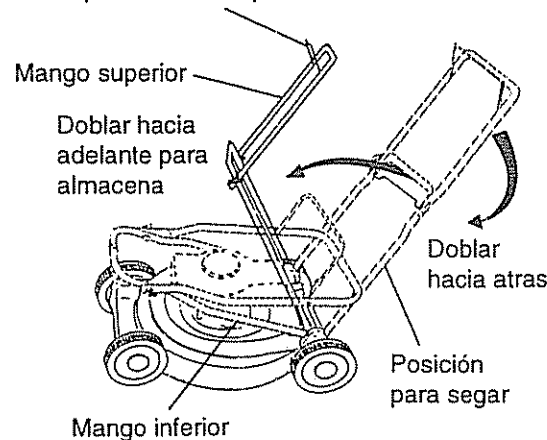
- Apriete los extremos inferiores del mango inferior entre sí hasta que el mango inferior quede separado del puntal del mango, luego muévelo hacia adelante.
- Suelte los pernos de montaje del mango superior lo suficiente como para permitir que el mango superior se pueda doblar hacia atrás.

Importante: Cuando doble el mango para el almacenamiento o el transporte, asegúrese que lo doble según se muestra o puede dañar los cables de control.

- Cuando prepare sus mangos a partir de la posición de almacenamiento, el mango inferior automáticamente se asegurará en la posición para segar.



Barra de control que exige la presencia del operador



MOTOR

SISTEMA DE COMBUSTIBLE

Importante: Es importante evitar que se formen depósitos de goma en partes fundamentales del sistema de combustible tales como el carburador, el filtro del combustible, la manguera del combustible o en el estanque durante el almacenamiento. La experiencia también indica que los combustibles mezclados con alcohol (conocido como gasohol o que tienen etanol o metanol) pueden atraer humedad, lo que conduce a la separación y a la formación de ácidos durante el almacenamiento. La gasolina ácida puede dañar el sistema de combustible de un motor durante el período de almacenamiento.

- Drene el estanque de combustible.
- Haga arrancar el motor y déjelo funcionar hasta que las líneas del combustible y el carburador estén vacíos.
- Nunca use los productos para limpieza del carburador o del motor en el estanque de combustible pues se pueden producir daños permanentes.
- Use combustible nuevo la próxima temporada.

AVISO: El estabilizador de combustible es una alternativa aceptable para reducir a un mínimo la formación de depósitos de goma en el combustible durante el período de almacenamiento. Agregue estabilizador a la gasolina en el estanque de combustible o en el envase para el almacenamiento. Siempre siga la proporción de mezcla que se encuentra en el envase del estabilizador. Haga funcionar el motor por lo menos 10 minutos después de agregar el estabilizador, para permitir que este llegue al carburador. No drene la gasolina del estanque de gasolina y el carburador si se está usando estabilizador de combustible.

IDENTIFICACIÓN DE PROBLEMAS

PROBLEMA	CAUSA	CORRECCIÓN
No arranca	<ul style="list-style-type: none"> • Filtro de aire sucio. • Sin combustible. • Combustible rancio. • Agua en el combustible. • Alambre de la bujía desconectado. • Bujía mala. • Cuchilla suelta o adaptador de la cuchilla quebrado. • Barra de control en la posición suelta. 	<ul style="list-style-type: none"> • Limpie/cambie el filtro de aire. • Llene el estanque de combustible. • Drene el estanque y vuelva a llenarlo con combustible limpio y nuevo. • Drene el estanque de combustible y el carburador y vuelva a llenar el estanque con gasolina nueva. • Conecte el alambre a la bujía. • Cambie la bujía. • Apriete el perno de la cuchilla o cambie el adaptador de la cuchilla. • Presione la barra de control hacia el mango. • Cambie la barra de control.

ACEITE DEL MOTOR

Drene el aceite (con el motor caliente) y cámbielo con aceite de motor limpio. (Vea "MOTOR" en la sección de Responsabilidades del Cliente de este manual.)

CILINDRO

- Remueva la bujía.
- Vacíe una onza (29 ml) de aceite a través del agujero de la bujía en el cilindro.
- Tire la manilla de arranque lentamente unas cuantas veces para distribuir el aceite.
- Vuelva a montar la nueva bujía.

OTROS

- No guarde la gasolina de una temporada a la otra.
- Cambie el envase de la gasolina si se empieza a oxidar. La oxidación y/o la mugre en su gasolina producirán problemas.
- Si es posible, guarde su unidad en un recinto cerrado y cúbrala para protegerla contra el polvo y la mugre.
- Cubra su unidad con un forro protector adecuado que no retenga la humedad. No use plástico. El plástico no puede respirar, lo que permite la formación de condensación, lo que producirá la oxidación de su unidad.

Importante: Nunca cubra la segadora mientras el motor y las áreas de escape todavía están calientes.

PRECAUCIÓN: Nunca almacene la segadora con gasolina en el estanque dentro de un edificio en donde los gases pueden alcanzar una llama expuesta o una chispa. Permita que se enfríe el motor antes de almacenarla en algún recinto cerrado.

PROBLEMA	CAUSA	CORRECCIÓN
Falta de fuerza	<ul style="list-style-type: none"> • Barra de control defectuosa. • Parte trasera de la cajacuchilla de la segadora arrastrándose en el césped pesado. • Está cortando mucho césped. • Filtro de aire sucio. • Acumulación de césped, hojas y basura debajo de la segadora. • Demasiado aceite en el motor. 	<ul style="list-style-type: none"> • Ajuste a la posición de "Corte más alto." • Ajuste a la posición de "Corte más alto." • Limpie/cambie el filtro de aire. • Limpie la parte inferior de la caja de la segadora. • Revise el nivel del aceite. • Corte a una velocidad de recorrido más lenta .
Mal corte –disparejo	<ul style="list-style-type: none"> • Cuchilla desgastada, doblada o suelta. • Altura de las ruedas dispareja. • Acumulación de césped, hojas o basura debajo de la segadora. 	<ul style="list-style-type: none"> • Cambie la cuchilla. Apriete el perno de la cuchilla. • Ajuste todas las ruedas a la misma altura. • Limpie la parte inferior de la caja de la segadora.
Vibración excesiva	<ul style="list-style-type: none"> • Cuchilla desgastada, doblada o suelta. • Cigüeñal del motor doblado. 	<ul style="list-style-type: none"> • Cambie la cuchilla. Apriete el perno de la cuchilla. • Póngase en contacto con su centro de servicio autorizado más cercano.
Cordón arrancador difícil de tirar	<ul style="list-style-type: none"> • El freno del volante del motor está aplicado cuando se suelta la barra de control. • Cigüeñal del motor doblado. • Adaptador de la cuchilla quebrado. • La cuchilla se arrastra en el césped. 	<ul style="list-style-type: none"> • Presione la barra de control hacia el mango superior antes de tirar el cordón arrancador. • Póngase en contacto con su centro de servicio autorizado más cercano. • Cambie el adaptador de la cuchilla. • Mueva la segadora a un lugar en donde el césped ha sido cortado o a una superficie firme para hacer arrancar el motor.
Recogedor de césped no se llena (si viene equipado)	<ul style="list-style-type: none"> • Altura de corte demasiado baja. • Levantamiento de la cuchilla desgastado. • Recogedor sin ventilación de aire. 	<ul style="list-style-type: none"> • Eleve la altura de corte. • Cambie la cuchillas. • Limpie el recogedor de césped.
Difícil de empujar	<ul style="list-style-type: none"> • El césped está demasiado alto o la altura de la rueda demasiado baja. • Parte trasera de la caja/cuchilla de la segadora arrastrándose en el césped. • Recogedor de césped demasiado lleno. • Posición de la altura del mango no adecuada para usted. 	<ul style="list-style-type: none"> • Eleve la altura de corte. • Eleve la parte trasera de la caja de la segadora (1) un lugar más alto. • Vacíe el recogedor de césped. • Ajuste la altura del mango de modo que le acomode.

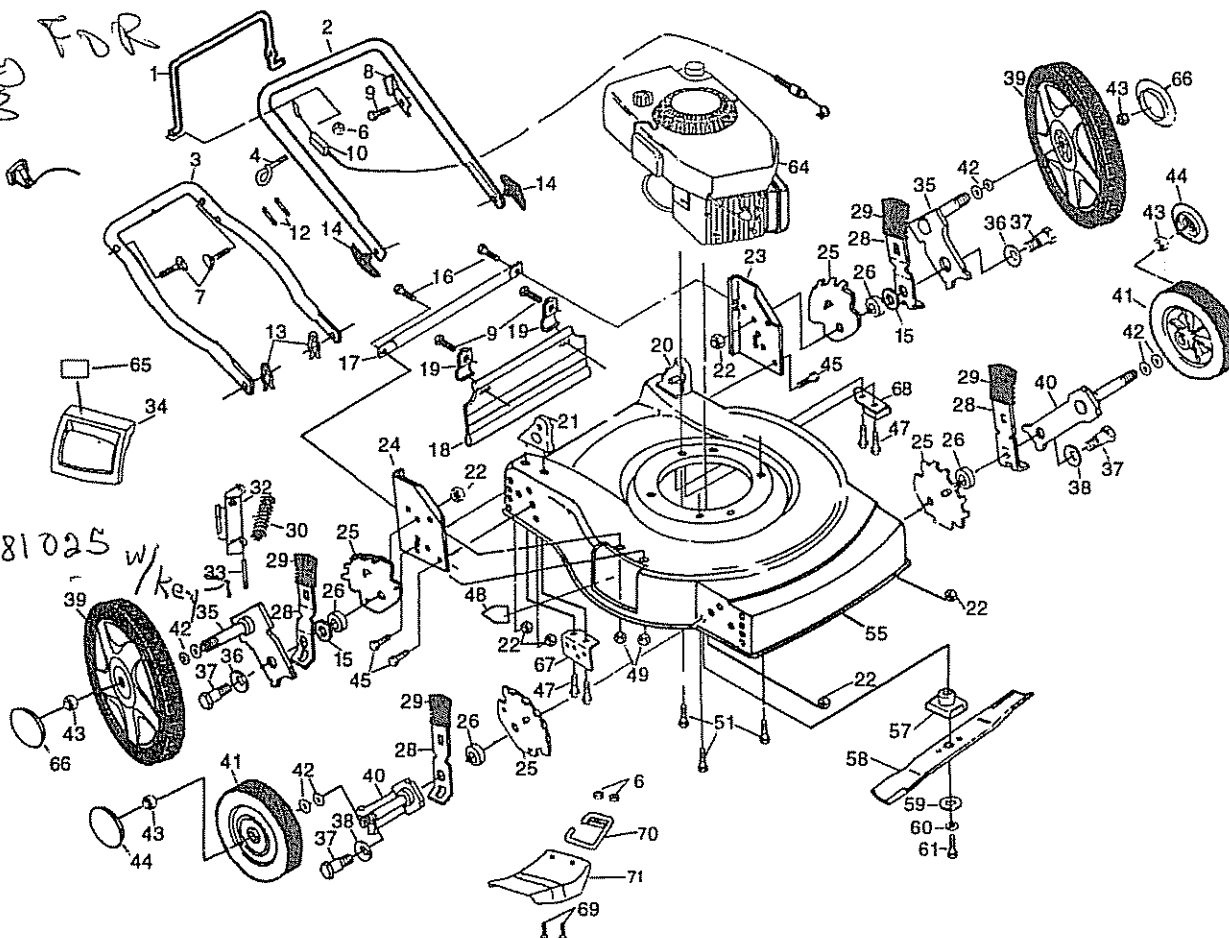
STD 581025

ERRING FOR
KEY

ROTARY LAWN MOWER MODEL NO. 917.387240

30

E-RINGS - STD 581025 w/
KEY



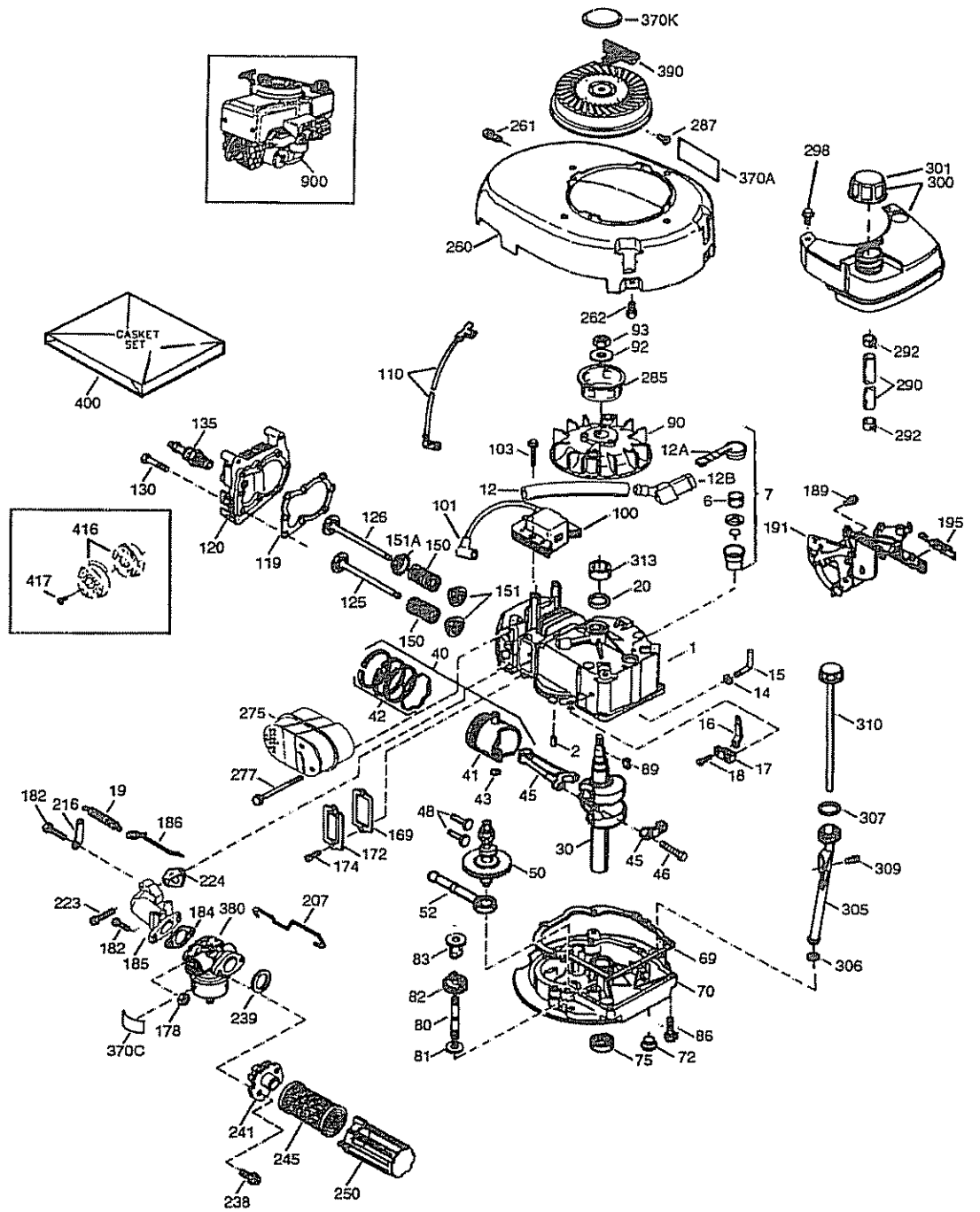
REPAIR PARTS

ROTARY LAWN MOWER MODEL NO. 917.387240

KEY NO.	PART NO.	DESCRIPTION	KEY NO.	PART NO.	DESCRIPTION
1	86902	Control Bar	40	145935X004	Axle Arm Assembly
2	145646X479	Upper Handle	41	150348	Wheel & Tire Assembly (Front)
3	157081X479	Lower Handle	42	57143	Wave Washer
4	132001	Rope Guide	43	83923	Locknut 3/8-16
6	63601	Locknut 1/4-20	44	150182	Hubcap
7	131959	Handle Bolt	45	74760612	Hex Head Bolt 3/8-16 x 3/4
8	850733X004	Up-Stop Bracket	47	149741	Screw 5/16-18 x 3/4
9	750097	Hex Thread Rolling Screw #10-24 x 3/4	48	85463	Danger Decal
10	156577	Engine Zone Control Cable	49	STD541425	Locknut 1/4-20
12	66426	Wire Tie	51	150406	Hex Head Thread Rolling Screw 3/8-16 x 1
13	51793	Hairpin Cotter	55	48420	Lawn Mower Housing (Incl. Ref. #20, 47, 48, 53, 54)
14	136376	Handle Knob	57	851514	Blade Adapter
15	88348	Flat Washer 3/8	58	152202	22" Blade
16	STD512505	Hex Head Self Tapping Screw 1/4-20 x 1/2	59	851074	Washer
17	750157	Support Rod	60	850263	Helical Hardened Lockwasher 3/8
18	140540	Rear Deflector	61	851084	Hex Head Machine Screw 3/8-24 x 1/4 Grd. 8
19	87584X004	Deflector Bracket	64	-----	Engine - (See Breakdown) Craftsman Model 143.986004
20	151667x479	Handle Bracket Assembly (Left)	65	52904	Decal
21	151665x479	Handle Bracket Assembly (Right)	66	151440	Hubcap
22	751592	Locknut 3/8-16	67	153350x479	Bracket Support Handle (Right)
23	700168X479	Support Bracket (Left)	68	153282x479	Bracket Support Handle (Left)
24	700166X479	Support Bracket (Right)	69	74180410	Screw
25	750085X007	Wheel Adjuster Bracket	70	751399	Bracket
26	146630	Spacer	71	752118	Clipping Deflector
28	700331X004	Selector Spring	--	161870	Owner's Manual (English/Spanish)
29	701037	Selector Knob			
30	152124	Torsion Spring			
32	154132	Housing Bracket Assembly			
33	147286	Hinge Rod			
34	151889	Discharge Guard			
35	750913X004	Axle Arm Assembly (Rear)			
36	61651	Spring Washer (Rear)			
37	142748	Shoulder Bolt 3/8-16			
38	62335	Belleville Washer			
39	151138	Wheel & Tire Assembly (Rear)			

Available accessories not included with lawn mower:

<u>71</u>	33072	Grass Catcher
<u>71</u>	33201	Mulcher Kit
<u>71</u>	33623	Gas Can (2.5 gal.)
<u>71</u>	33500	Fuel Stabilizer
<u>71</u>	33000	SAE 30W Oil (20 oz.)
<u>71</u>	33316	Mower Cover



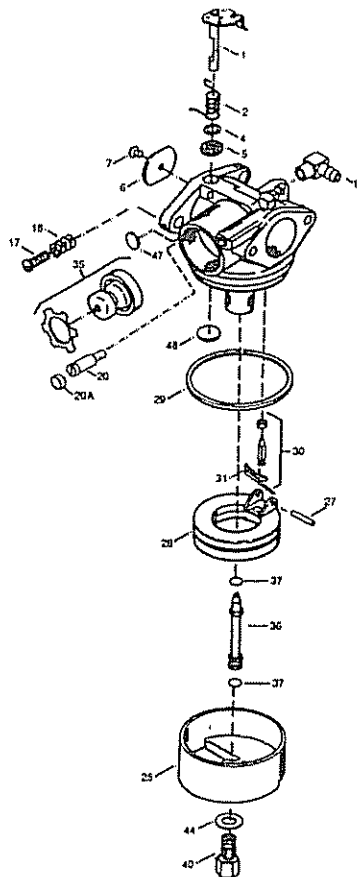
CRAFTSMAN 4-CYCLE ENGINE

MODEL NUMBER 143.986004

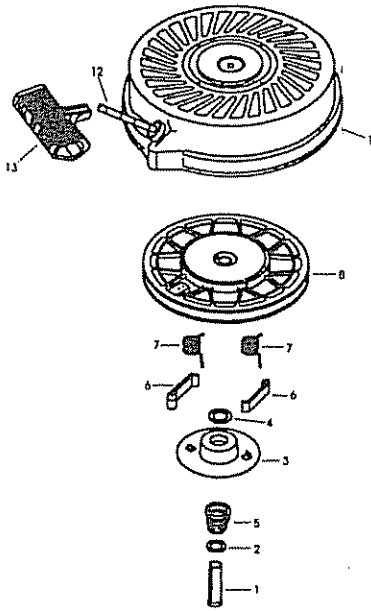
KEY NO.	PART NO.	DESCRIPTION	KEY NO.	PART NO.	DESCRIPTION
1	36774	Cylinder (Incl 2 & 20)	150	35991	Valve Spring
2	26727	Dowel Pin	151	31673	Valve Spring Cap
6	33734	Breather Element	151A	40017	Intake Valve Seal
7	36557	Breather Ass'y (Incl 6 & 12A)	169	36783	* Valve Cover Gasket
			172	36784	Valve Cover
12	36775	Breather Tube	174	30200	Screw, 10-24 x 9/16"
12A	36558	Breather Cover & Tube (Incl. 12B)	178	29752	Nut & Lock Washer, 1/4-28
12B	36694	Breather Tube Eibow	182	6201	Screw, 1/4-28 x 7/8"
14	28277	Washer	184	26756	* Carburetor To Intake Pipe Gasket
15	30589	Governor Rod (Incl. 14)			Intake Pipe
16	34839A	Governor Lever	185	36785	Governor Link
17	31335	Governor Lever Clamp	186	32653	Screw, 1/4-20 x 3/8"
18	651018	Screw, Torx T-15, 8-32 x 19/64"	189	650839	S.E. Brake Bracket (Incl. 195)
			191	36559	Terminal
19	36281	Extension Spring			Throttle Link
20	32600	Oil Seal	195	610973	R.P.M. Adjusting Lever
30	36776	Crankshaft	207	34336	Screw, 1/4-20 x 1"
40	40004	Piston, Pin & Ring Set (Std.)	216	33086	* Intake Pipe Gasket
			223	650451	Screw, 10-32 x 49/64"
40	40005	Piston, Pin & Ring Set (.010" OS)	224	36786	* Air Cleaner Gasket
			238	650932	Air Cleaner Collar
41	36070	Piston & Pin Ass'y. (Std.) (Incl. 43)	239	34338	Air Cleaner Filter
			241	35797	Air Cleaner Cover
41	36071	Piston & Pin Ass'y. (.010" OS) (Incl. 43)	245	35066	Blower Housing
			250	35065	Screw, 10-24 x 9/16"
42	40006	Ring Set (Std.)	260	36980	Screw, 1/4-20 x 1/2"
42	40007	Ring Set (.010" OS)	261	30200	Muffler
43	20381	Piston Pin Retaining Ring	262	650831	Screw, 1/4-20 x 2-5/16"
45	36777	Connecting Rod Ass'y. (Incl. 46)	275	36790	Starter Cup
			277	650988	Screw, 8-32 x 21/64"
46	32610A	Connecting Rod Bolt	285	35000A	Fuel Line
48	27241	Valve Lifter	287	650926	Fuel Line Clamp
50	36778	Camshaft (MCR)	290	29774	Screw, 10-32 x 35/64"
52	29914	Oil Pump Ass'y.	292	26460	Fuel Tank (Incl. 292 & 301)
69	35261	* Mounting Flange Gasket	298	28763	Fuel Cap
70	36995	Mounting Flange (Incl. 72 thru 83)	300	36916	Oil Fill Tube
					* "O"-Ring
72	36083	Oil Drain Plug	301	36246	"O"-Ring
75	27897	Oil Seal	305	35647	Screw, 10-32 x 1/2"
80	30574A	Governor Shaft	306	36996	Dipstick
81	30590A	Washer	307	35499	Spacer
82	30591	Governor Gear Ass'y. (Incl. 81)	309	650562	Lubrication Decal
			310	35648	Primer Decal
83	30588A	Governor Spool	313	34080	Starter Decal
86	650488	Screw, 1/4-20 x 1-1/4"	370A	36261	Carburetor (Incl. 184)
89	611004	Flywheel Key	370C	36861	Rewind Starter
90	611112	Flywheel	370K	36695	Gasket Set (Incl. Items Marked * in Notes)
92	650815	Belleville Washer	380	640026	Spark Arrestor Kit (Incl. 417)(Optional)
93	650816	Flywheel Nut	390	590694	Screw, 8-32 x 3/8" (Optional)
100	34443B	Solid State Ignition	400	36792A	Replacement Engine NONE
101	610118	Spark Plug Cover			Replacement S/B 750796, order from 71-999 RPM High 2900 to 3200
103	651007	Screw, Torx T-15, 10-24 x 15/16"	416	36085	
110	37047	Ground Wire			
119	36787	* Cylinder Head Gasket	417	650760	
120	36825	Cylinder Head			
125	36779	Exhaust Valve (Std.) (Incl. 151)	900	— —	
125	36780	Exhaust Valve (1/32" OS) (Incl. 151)	900	— —	
126	36781	Intake Valve (Std.) (Incl. 151)	— —	— —	
126	36782	Intake Valve (1/32" OS) (Incl. 151)			
130	6021A	Screw, 5/16-18 x 1-1/2"			
135	35395	Resistor Spark Plug (RJ19LM)			

NOTE: This engine could have been built with 590737 starter.

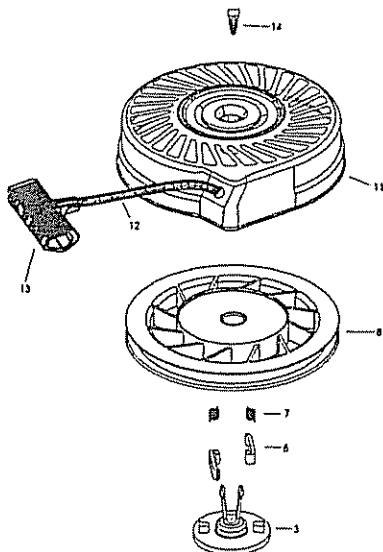
NOTE: All component dimensions given in U.S. inches
1 inch = 25.4 mm



KEY NO.	PART NO.	DESCRIPTION
---	640026	Carburetor Incl. 184 of Engine Parts List
1	631615	Throttle Shaft & Lever Assembly
2	631767	Throttle Return Spring
4	631184	Dust Seal Washer
5	631183	Dust Seal (Throttle)
6	631036	Throttle Shutter
7	650506	Shutter Screw
16	631775	Fuel Fitting
17	650417	Throttle Crack Screw/ Idle Speed Screw
18	630766	Tension Spring
20	640027	Idle Restrictor Screw
20A	640053	Idle Restrictor Screw Cap
25	631867	Float Bowl
27	631024	Float Shaft
28	632019	Float
29	631028	Float Bowl "O" Ring
30	631021	Inlet Needle, Seat, & Clip (Incl. 31)
31	631022	Spring Clip
35	36045A	Primer Bulb/Retainer Ring
36	632735	Main Nozzle Tube
37	632547	"O" Ring, Main Nozzle Tube
40	640028	High Speed Bowl Nut
44	27110	Bowl Nut Washer
47	630748	Welch Plug, Idle Mixture Well
48	631027	Welch Plug, Atmospheric Vent



KEY NO.	PART NO.	DESCRIPTION
---	590694	Recoil Starter
1	590599A	Spring Pin (Incl. 4)
2	590600	Washer
3	590696	Retainer
4	590601	Washer
5	590697	Brake Spring
6	590698	Starter Dog
7	590699	Dog Spring
8	590700	Pulley & Rewind Spring Ass'y.
11	590695	Starter Housing Ass'y. (40 degree grommet)
12	590535	Starter Rope (98" X 9/64" dia.)
13	590701	Starter Handle



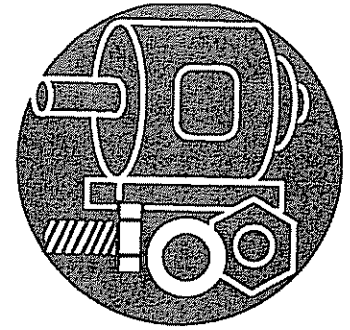
KEY NO.	PART NO.	DESCRIPTION
---	590737	Rewind Starter
3	590740	Retainer
6	590616	Starter Dog
7	590617	Dog Spring
8	590618A	Pulley & Rewind Spring Ass'y
11	590687A	Starter Housing Ass'y (40 degree grommet)
12	590535	Starter Rope (Length 98" x 9/64" dia.)
13	590701	Starter Handle
14	590741	Locking Tab

For the repair or replacement parts you need
delivered directly to your home
Call 7 am - 7 pm, 7 days a week

1-800-366-PART

(1-800-366-7278)

Para ordenar piezas con entrega a
domicilio – 1-800-659-7084



For in-house major brand repair service
Call 24 hours a day, 7 days a week

1-800-4-REPAIR

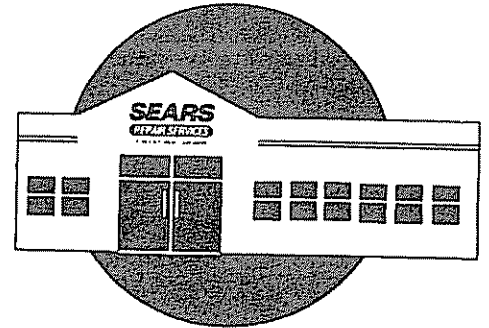
(1-800-473-7274)

Para pedir servicio de reparación a
domicilio – 1-800-676-5811



For the location of a Sears Parts and
Repair Center in your area
Call 24 hours a day, 7 days a week

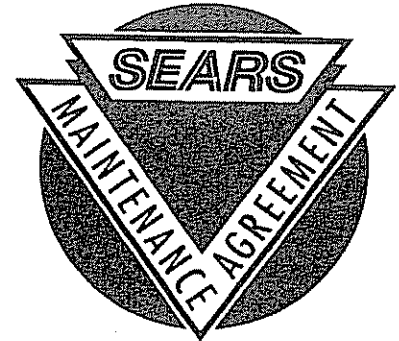
1-800-488-1222



For information on purchasing a Sears
Maintenance Agreement or to inquire
about an existing Agreement

Call 9 am – 5 pm, Monday–Saturday

1-800-827-6655



When requesting service or ordering
parts, always provide the following
information:

- Product Type
- Part Number
- Model Number
- Part Description

SEARS
REPAIR SERVICES

America's Repair Specialists

Free Manuals Download Website

<http://myh66.com>

<http://usermanuals.us>

<http://www.somanuals.com>

<http://www.4manuals.cc>

<http://www.manual-lib.com>

<http://www.404manual.com>

<http://www.luxmanual.com>

<http://aubethermostatmanual.com>

Golf course search by state

<http://golfingnear.com>

Email search by domain

<http://emailbydomain.com>

Auto manuals search

<http://auto.somanuals.com>

TV manuals search

<http://tv.somanuals.com>