

SEARS

OWNERS MANUAL

MODEL NO.
919.156730
919.156830



IMPORTANT:

Read the Safety Guidelines
and All Instructions
Carefully Before Operating



CRAFTSMAN PERMANENTLY LUBRICATED AIR COMPRESSOR

Record in the spaces provided.

- (1) The model number which can be found on the label on the back of the shroud.
- (2) The code number which can be found on the foil label on the back of the air tank.
- (3) The Manufacturers Number (ASME Code Compressors only) is located on the metal data plate which is welded onto the back side of the air tank. (This data plate is painted the same color as the tank.)

Retain these numbers for future
reference.

Model No. _____

Code No. _____

Mfg. No. _____

ASSEMBLY
OPERATION
MAINTENANCE
REPAIR PARTS

TABLE OF CONTENTS

	Page
WARRANTY	3
SAFETY GUIDELINES	3
WARNING CHART	3
SPECIFICATION CHART	5
GLOSSARY	5
GENERAL INFORMATION	6
DESCRIPTION OF OPERATION	6
ASSEMBLY INSTRUCTIONS	7
Tools Needed for Assembly	7
Installing Wheels, Wheel Plates, Handle, Rubber foot strip	7
Installing Shut-off Valve	7
INSTALLATION AND BREAK-IN PROCEDURES	7
Location of Air Compressor	7
Lubrication and Oil	7
Extension Cords	7
Grounding Instructions	8
Break-In Procedures	8
OPERATING PROCEDURES	8
MAINTENANCE	9
Air Filter	9
Check Valve – Inspection and Replacement	9
Safety Valve – Inspection	9
Motor	9
STORAGE	10
TROUBLESHOOTING GUIDE	10
AIR COMPRESSOR DIAGRAM	12
Parts List	13
COMPRESSOR PUMP DIAGRAM	14
Parts List	15
ACCESSORIES FOR USE WITH SEARS AIR COMPRESSORS ..	15
HOW TO ORDER REPAIR PARTS	16

FULL ONE YEAR WARRANTY AIR COMPRESSORS

If this air compressor fails due to a defect in material or workmanship within one year from the date of purchase, RETURN IT TO THE NEAREST SEARS SERVICE CENTER/DEPARTMENT THROUGHOUT THE UNITED STATES AND SEARS WILL REPAIR IT, FREE OF CHARGE.

If this air compressor is used for commercial or rental purposes, the warranty will apply for ninety days from the date of purchase.

This warranty gives you specific legal rights and you may have other rights which vary from state to state.

Sears, Roebuck and Co., Sears Tower, Dept. 698/731 CR-W, Chicago, IL 60684

SAFETY GUIDELINES

This manual contains information that is important for you to know and understand. This information relates to protecting YOUR SAFETY and PREVENTING EQUIPMENT PROBLEMS. To help you recognize this information, we use the following symbols. Please read the manual and pay attention to these sections.



URGENT SAFETY INFORMATION – A HAZARD THAT *WILL* CAUSE SERIOUS INJURY OR LOSS OF LIFE.



IMPORTANT SAFETY INFORMATION – A HAZARD THAT *MIGHT* CAUSE SERIOUS INJURY OR LOSS OF LIFE.



Information for preventing damage to equipment.

NOTE

Information that you should pay special attention to.



**HAZARDS CAN OCCUR IF EQUIPMENT IS NOT USED PROPERLY.
PLEASE READ THE FOLLOWING CHART.**

WHAT TO LOOK FOR	WHAT COULD HAPPEN	HOW TO PREVENT IT
Hot Parts	The compressor head gets hot when the air compressor is running. If you touch it, you may be seriously burned.	Never touch the air compressor head during or immediately after operation.
Flammable Vapors	It is normal for the motor and pressure switch to spark when operating. If the sparks come into contact with vapors from gasoline, flammable paints or solvents, they may ignite, causing a fire or explosion.	Operate the compressor in well ventilated areas that are free of gasoline, flammable paint or solvent vapors If spraying a flammable material – provide ample ventilation. Never spray in a closed area. There must be a flow of fresh air at all times.

WHAT TO LOOK FOR	WHAT COULD HAPPEN	HOW TO PREVENT IT
Air Tank	Modifications to the air compressor can cause the air tank to rupture or explode.	Do not adjust, remove or tamper with the safety valve or pressure switch. If safety valve or pressure switch replacement is necessary, a part with the same rating must be used. Never use a motor with a higher horsepower rating than the one supplied. Never replace the air tank with a different model or a larger tank.
	Changing the air tank will cause it to weaken. The tank may rupture or explode.	Never drill into, weld, or in any way modify the air tank.
Compressed Air	Compressed air can propel dust, dirt, or loose particles it comes in contact with.	Never point any nozzle or sprayer toward a person or any part of the body. Always wear safety goggles or glasses when using the air compressor. Always turn the air compressor off before attaching or removing accessories.
	Too much air pressure applied to air tools or accessories can cause damage or risk of bursting.	Check the manufacturer's maximum pressure rating for air tools and accessories. An air regulator must be added for use with those items having a maximum pressure rating less than 125 PSI.
Electricity	Your air compressor is powered by electricity. Like any other electrically powered device, if it is not used properly it may cause electrical shock.	Always unplug the air compressor prior to maintenance or repair. Never use the air compressor outdoors when it is raining. Always plug the cord into an electrical outlet with the specified voltage and adequate fuse protection.
Toxic Vapors	It is normal for compressed air to contain toxic or irritating vapors. Such vapors are harmful if inhaled.	Never directly inhale the compressed air produced by this unit.
	Certain materials you are spraying (like paint, weed killer, sand or insecticide) may be harmful if you inhale them.	Read labels and safety data for all materials you spray. Follow all safety precautions. Use a mask or respirator if there is a chance of inhaling toxic sprayed materials. Masks and respirators have limits and will only provide protection against some kinds and limited amounts of toxic material. Read mask and respirator instructions carefully. Consult with a safety expert or industrial hygienist if you are not sure about the use of a certain mask or respirator.
Unsuitable Solvents	The solvents 1,1,1 – Trichloroethane and Methylene Chloride can chemically react with aluminum used in paint spray guns, paint pumps, etc., and cause an explosion. These solvents can also react with galvanized components and cause corrosion and weakening of parts. This does not affect your air compressor – but it may affect the equipment being used.	If the material you intend to spray contains the solvents listed at left (read the label or data sheet), do not use accessories that contain aluminum or galvanized parts. You must either change the material you intend to spray, or use only stainless steel spray equipment.

SPECIFICATION CHART

Model No.	919.156730	919.156830
Horsepower	3	3
Displacement CFM	11.8	11.8
Bore	2 ³ / ₈ "	2 ³ / ₈ "
Stroke	1.35"	1.35"
Voltage-Single Phase	120/240	120/240
Minimum Branch Circuit Requirement	*15 amps	15 *amps
Fuse Type	"Fusetron" Type T*	"Fusetron" Type T***
Air Tank Capacity	15 gal.	15 gal. A.S.M.E.
Approximate Cut-in Pressure	80	80
Approximate Cut-out Pressure	100	100
SCFM @ 40 psig	8.5	8.5
SCFM @ 90 psig	7.0	7.0



**These models have dual voltage motors, 120 and 240 volt. They are WIRED FOR 120 VOLT but can be converted to 240 volt operation. Instructions for connecting the motor for operation at 240 volt can be found printed on the inside of the motor cover or on the nameplate of the motor.

*A circuit breaker is preferred. Use only a fuse or circuit breaker that is the same rating as the branch circuit the air compressor is operated on. If the air compressor is connected to a circuit protected by fuses, use dual element time delay fuses (Buss Fusetron Type "T" only).



These air compressors can be operated on a 15 amp circuit if:

1. Voltage supply to circuit is normal.
2. Circuit is not used to supply any other electrical needs (lights, appliances, etc.)
3. Extension cords comply with specifications in owners manual.



When converting this model to 240 volt operation, the attached three-prong 240 volt plug must be replaced with a three-prong 240 volt plug (purchase locally) or order line cord Part No. SUDL-404-1.

4. Circuit is equipped with 15 amp circuit breaker or 15 amp Fusetron Type "T" time delay fuse.

If any of the above conditions cannot be met, or if operation of the compressor repeatedly causes interruption of the power it may be necessary to operate it from a 20 amp circuit. It is not necessary to change the cordset if this change is required.

GLOSSARY

CFM: Cubic feet per minute.

SCFM: Standard cubic feet per minute; a unit of measure of air delivery

PSIG: Pounds per square inch gauge; a unit of measure of pressure

ASME: American Society of Mechanical Engineers; made, tested, inspected and registered to meet the standards of the ASME.

U.L. LISTED: Samples of compressor outfits, taken from production, were submitted to U.L. and found to comply with their requirements for design and performance

Cut-In Pressure: While the motor is off, air tank pressure drops as you continue to use your accessory. When the tank pressure drops to a certain low level the motor will re-start automatically. The low pressure at which the motor automatically re-starts is called "cut-in pressure".

Cut-Out Pressures: When you turn on your air compressor and it begins to run, air pressure in the air tank begins to build. It builds to a certain high pressure before the motor automatically shuts off – protecting your air tank from pressure higher than its capacity. The high pressure at which the motor shuts off is called "cut-out pressure".

GENERAL INFORMATION

You have purchased an air compressor unit consisting of a 1 cylinder, single-stage air compressor pump, an air tank, air hose, wheels, handles, and associated controls. You will also find an air chuck.

This air compressor requires no oil. Now you can enjoy all the benefits of having an air compressor without ever having to purchase, add or change oil.

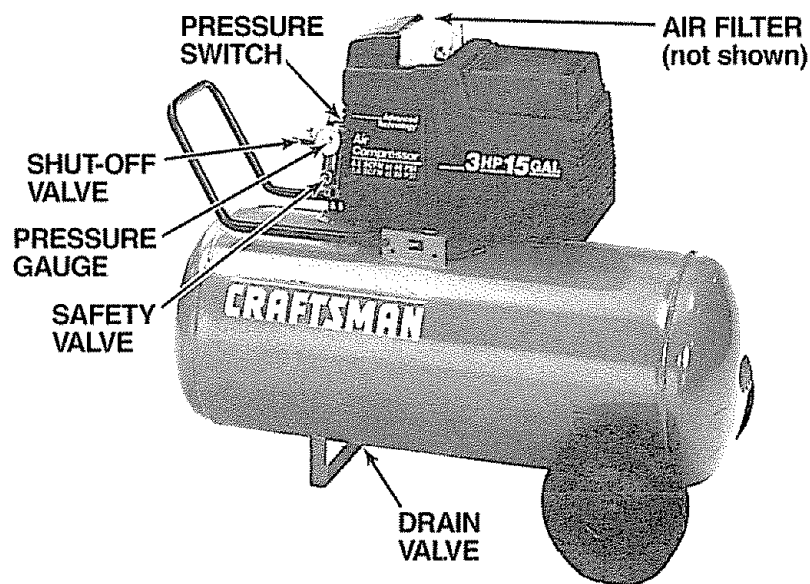
Your air compressor can be used for operating paint spray guns, air tools, caulking guns, grease guns, air

brushes, sandblasters, or inflating tires and plastic toys, spraying weed killers, insecticides, etc.

This model is not equipped with a pressure regulator. An air pressure regulator is usually necessary for most of these applications.

Separate air transformers which combine the functions of air regulation and/or moisture and dirt removal should be used where applicable.

DESCRIPTION OF OPERATION



Air Compressor Pump: To compress air, the piston moves up and down in the cylinder. On the downstroke, air is drawn in through the air intake valves. The exhaust valve remains closed. On the upstroke of the piston, air is compressed. The intake valves close and compressed air is forced out through the exhaust valve, through the outlet tube, through the check valve and into the air tank. Working air is not available until the compressor has raised the air tank pressure above that required at the air outlet.

Check Valve: When the air compressor is operating, the check valve is "open", allowing compressed air to enter the air tank. When the air compressor reaches "cut-out" pressure, the check valve "closes", allowing air pressure to remain inside the air tank.

Pressure Switch: The pressure switch automatically starts the motor when the air tank pressure drops below the factory set "cut-in" pressure. It stops the motor when

the air tank pressure reaches the factory set "cut-out" pressure.

Pressure Release Valve: The pressure release valve located on the side of the pressure switch, is designed to automatically release compressed air from the compressor head and the outlet tube when the air compressor reaches "cut-out" pressure or is shut off. If the air is not released, the motor will try to start, but will be unable to. The pressure release valve allows the motor to restart freely. When the motor stops running, air will be heard escaping from the valve for a few seconds. No air should be heard leaking when the motor is running.

Safety Valve: If the pressure switch does not shut-off the air compressor at its cut-out pressure setting, the safety valve will protect against high pressure by "popping out" at its pre-set pressure.

Tank Pressure Gauge: The tank pressure gauge indicates the reserve air pressure in the tank.

ASSEMBLY INSTRUCTIONS

Tools Needed for Assembly

- pipe thread sealant (not included)
- a $\frac{9}{16}$ " socket or open end wrench for attaching the wheels, wheel plates and hose adapter
- a $\frac{7}{16}$ " open end wrench for attaching the air pressure gauge
- an adjustable wrench for attaching the shut-off valve
- a $\frac{3}{8}$ " open end wrench to tighten handle screws.

Installing Wheels, Wheel Plates, Handles, Rubber Foot Strip

WARNING

THE WHEELS AND HANDLE DO NOT PROVIDE ADEQUATE CLEARANCE, STABILITY OR SUPPORT FOR PULLING THE UNIT UP AND DOWN STAIRS OR STEPS. THE UNIT MUST BE LIFTED, OR PUSHED UP A RAMP.

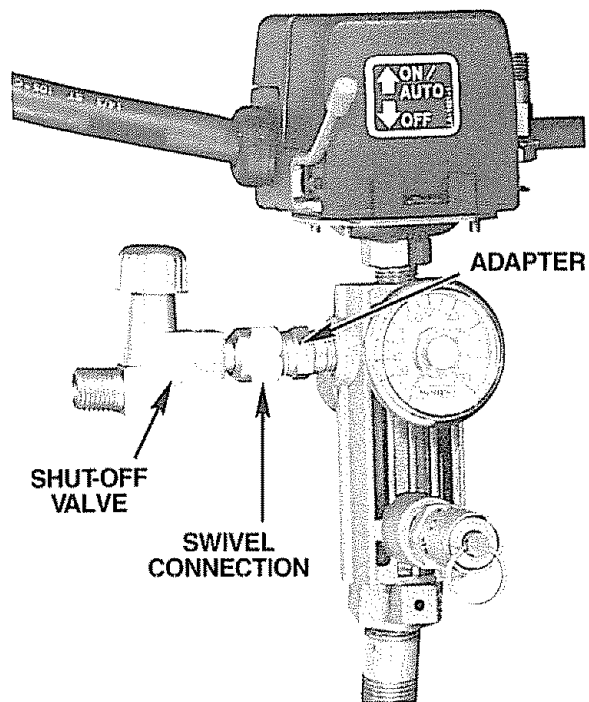
1. Install the $\frac{7}{8}$ " dia. handle to the outside of the compressor saddle at the control end of the outfit. Line up holes in handle with saddle holes and install two screws, one on each side, in the holes farthest from the handle's end. Slide shrink tubing into position on the $\frac{3}{4}$ " dia. handle as shown in photo on page 6 or page 12. Dip in boiling water or use a heat gun to shrink tubing on handle. Slide the small handle inside of large handle and line up holes. Install two remaining screws and tighten all four screws securely.

CAUTION

It may be necessary to brace or support one end of the outfit when attaching the wheels, wheel plates, and the rubber foot strip, because the air compressor will have a tendency to tip.

2. Remove the protective paper strip from the adhesive backed rubber foot strip. Attach the foot strip to the bottom of the air tank leg. Press firmly into place.
3. Attach a wheel plate to each tank leg. See page 12.
4. Attach one wheel to each side of the air compressor. Use the top wheel plate hole. Use one shoulder bolt and one nut for each wheel. Tighten securely.

Installing Shut-off Valve



Apply a small amount of pipe sealant (not supplied) to the tapered pipe threads on the adapter and tighten into the manifold. Install the swivel connection end of the shut-off valve to the straight threaded end of the adapter (pipe sealant is not required) and tighten this connection. See photo above.

INSTALLATION AND BREAK-IN PROCEDURES

Location of the Air Compressor

Locate the air compressor in a clean, dry and well ventilated area. The air filter must be kept clear of obstructions which could reduce air delivery of the air compressor. The air compressor should be located at least 12" away from the wall or other obstructions that will interfere with the flow of air. The air compressor head and shroud are designed to allow for proper cooling. If humidity is high a Sears air filter can be installed on the air outlet adapter to remove excessive moisture. Follow the instructions packaged with the air filter for proper installation.

Lubrication and Oil

This unit needs no oiling or additional lubrication.

Extension Cords

Use extra air hose instead of an extension cord to avoid voltage drop and power loss to the motor.

If an extension cord *must* be used, be sure it is:

- a 3-wire extension cord that has a 3-blade grounding plug, and a 3-slot receptacle that will accept the plug on the product.
- in good condition.
- no longer than 50 feet
- 12 gauge (AWG) or larger. (Wire size increases as gauge number decreases. 10 AWG and 8 AWG may also be used. DO NOT USE 14 or 16 AWG.)

Grounding Instructions

WARNING

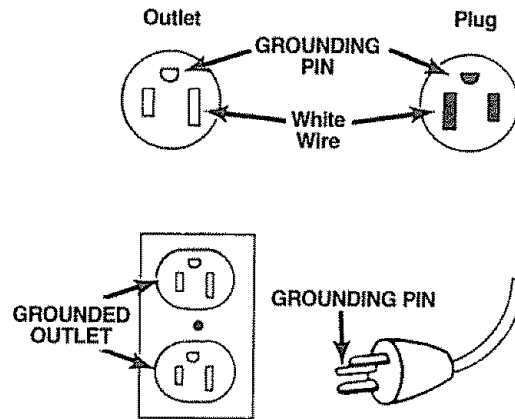
IMPROPER GROUNDING CAN RESULT IN ELECTRICAL SHOCK. IN THE EVENT OF A SHORT CIRCUIT, GROUNDING REDUCES THE RISK OF SHOCK BY PROVIDING AN ESCAPE WIRE FOR THE ELECTRIC CURRENT. THIS AIR COMPRESSOR MUST BE PROPERLY GROUNDING.

1. The air compressor is equipped with a cord having a grounding wire with an appropriate grounding plug. The plug must be used with an outlet that has been installed and grounded in accordance with all local codes and ordinances. The outlet must have the same configuration as the plug. **DO NOT USE AN ADAPTER.**
2. Do not modify the plug that has been provided. If it does not fit the available outlet, the correct outlet should be installed by a qualified electrician.
3. Inspect the plug and cord before each use. Do not use if there are signs of damage.

! DANGER

RISK OF ELECTRICAL SHOCK. IF REPAIRING OR REPLACING CORD OR PLUG, THE GROUNDING WIRE MUST BE KEPT SEPARATE FROM THE CURRENT-CARRYING WIRES. NEVER CONNECT THE GROUNDING WIRE TO A FLAT BLADE PLUG TERMINAL. (THE GROUNDING WIRE HAS INSULATION WITH AN OUTER SURFACE THAT IS GREEN – WITH OR WITHOUT YELLOW STRIPES.)

If these grounding instructions are not completely understood, or if in doubt as to whether the compressor is properly grounded, have the installation checked by a qualified electrician.



120 volts, 15 amps

Break-In Procedures

This procedure is required only once, before the air compressor is put into service.

1. Set the pressure switch OFF/AUTO lever to the "OFF" position.
2. Plug the power cord into the correct branch circuit receptacle.
3. Turn the shut-off valve counter clockwise, opening it fully, to prevent air pressure build-up in the tank.
4. Move the OFF/AUTO lever to "AUTO". The compressor will start.
5. Run the compressor for 15 minutes. Make sure the shut-off valve is open and there is no tank pressure build-up.
6. After 15 minutes, close the shut-off valve by turning the knob clockwise. The air tank will fill to cut-out pressure and then the motor will stop.

OPERATING PROCEDURES

1. Before attaching air hose or accessories, make sure the OFF/AUTO lever is set to "OFF" position. Close the shut-off valve by turning the knob clockwise.
2. Attach hose and accessories.

WARNING

TOO MUCH AIR PRESSURE CREATES A HAZARDOUS RISK OF BURSTING. CAREFULLY FOLLOW STEPS 3 AND 5 EACH TIME THE COMPRESSOR IS USED.

CAUTION

Compressed air from the outfit may contain water condensation. Do not spray unfiltered air at an item that could be damaged. Some air operated tools or devices may require filtered air. Read the instructions for the air tool or device.

3. Check the manufacturer's maximum pressure rating for air tools and accessories. The outlet pressure must never exceed the maximum pressure rating.

4. Turn the OFF/AUTO lever to "AUTO" and allow tank pressure to build. Motor will stop when tank pressure reaches "cut-out" pressure.
5. Open the shut-off valve.
6. Always operate the air compressor in well-ventilated areas; free of gasoline or other solvent vapors. Do not operate the compressor near the spray area.
 - **When you are finished:**
7. Set the "OFF-AUTO" lever to "OFF".
8. Close the shut-off valve.
9. Remove the air tool or accessory.
10. Open the shut-off valve and allow the air to slowly bleed from the tank. Close the shut-off valve when tank pressure is approximately 20 psi.



WATER WILL CONDENSE IN THE AIR TANK. IF NOT DRAINED, WATER WILL CORRODE AND WEAKEN THE AIR TANK CAUSING A RISK OF AIR TANK RUPTURE.

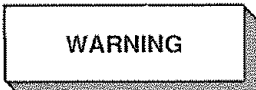
11. With tank pressure at approximately 20 psi., open the drain cock and allow moisture to drain.

NOTE

If drain cock valve is plugged, release all air pressure. The valve can then be removed, cleaned, then reinstalled.

12. After the water has been drained, close the drain cock. The air compressor can now be stored.

MAINTENANCE



UNIT CYCLES AUTOMATICALLY WHEN POWER IS ON. WHEN DOING MAINTENANCE, YOU MAY BE EXPOSED TO VOLTAGE SOURCES, COMPRESSED AIR OR MOVING PARTS. PERSONAL INJURIES CAN OCCUR. BEFORE PERFORMING ANY MAINTENANCE OR REPAIR, UNPLUG THE COMPRESSOR AND BLEED OFF ALL AIR PRESSURE.

Air Filter – Inspection

NOTE

Keep the air filter clean at all times. Do not operate the compressor with the air filter removed.

A dirty air filter will not allow the compressor to operate at full capacity. Before you use the compressor, check the air filter to be sure it is clean.

If it is dirty, simply pull it out. You may wash it with a mild detergent and warm water, or replace it.

Check Valve – Replacement

1. Release all air pressure from air tank and unplug outfit.
2. Remove shroud.
3. Loosen the top and bottom nuts and remove the outlet tube.
4. Remove the pressure release tube and fitting.
5. Unscrew the check valve (turn counterclockwise) using a socket wrench.
6. Check that the valve disc moves freely inside the valve and that the spring holds the disc in the upper, closed position. The check valve may be cleaned with a solvent, such as paint and varnish remover.
7. Apply sealant to the check valve threads. Reinstall the check valve (turn clockwise).
8. Replace the pressure release tube and fitting.
9. Replace the outlet tube and tighten top and bottom nuts.
10. Replace the shroud.

Safety Valve – Inspection



IF THE SAFETY VALVE DOES NOT WORK PROPERLY, OVER-PRESSURIZATION MAY OCCUR, CAUSING AIR TANK RUPTURE OR AN EXPLOSION. OCCASIONALLY PULL THE RING ON THE SAFETY VALVE TO MAKE SURE THAT THE SAFETY VALVE OPERATES FREELY. IF THE VALVE IS STUCK OR DOES NOT OPERATE SMOOTHLY, IT MUST BE REPLACED WITH THE SAME TYPE OF VALVE.

Motor

The motor has an automatic reset thermal overload protector. If the motor overheats for any reason, the overload protector will shut off the motor. The motor must be allowed to cool down before restarting. The compressor will automatically re-start after the motor cools.

If the overload protector shuts the motor off frequently, check for a possible voltage problem. Low voltage can also be suspected when:

1. the motor does not get up to full power or speed;
2. fuses blow out when starting the motor; lights dim and remain dim when motor is started and is running.

STORAGE

Before you store the air compressor, make sure you do the following:

1. Review the "Maintenance" section on the preceding pages and perform maintenance as necessary. Be sure to drain water from the air tank.

2. Protect the electrical cord and air hose from damage (such as being stepped on or run over). Wind them loosely around the compressor handle.

Store the air compressor in a clean and dry location.

TROUBLESHOOTING GUIDE

WARNING

PERFORMING REPAIRS MAY EXPOSE VOLTAGE SOURCES, MOVING PARTS, OR COMPRESSED AIR SOURCES. PERSONAL INJURY MAY OCCUR. PRIOR TO ATTEMPTING ANY REPAIRS UNPLUG THE AIR COMPRESSOR AND BLEED OFF TANK AIR PRESSURE.

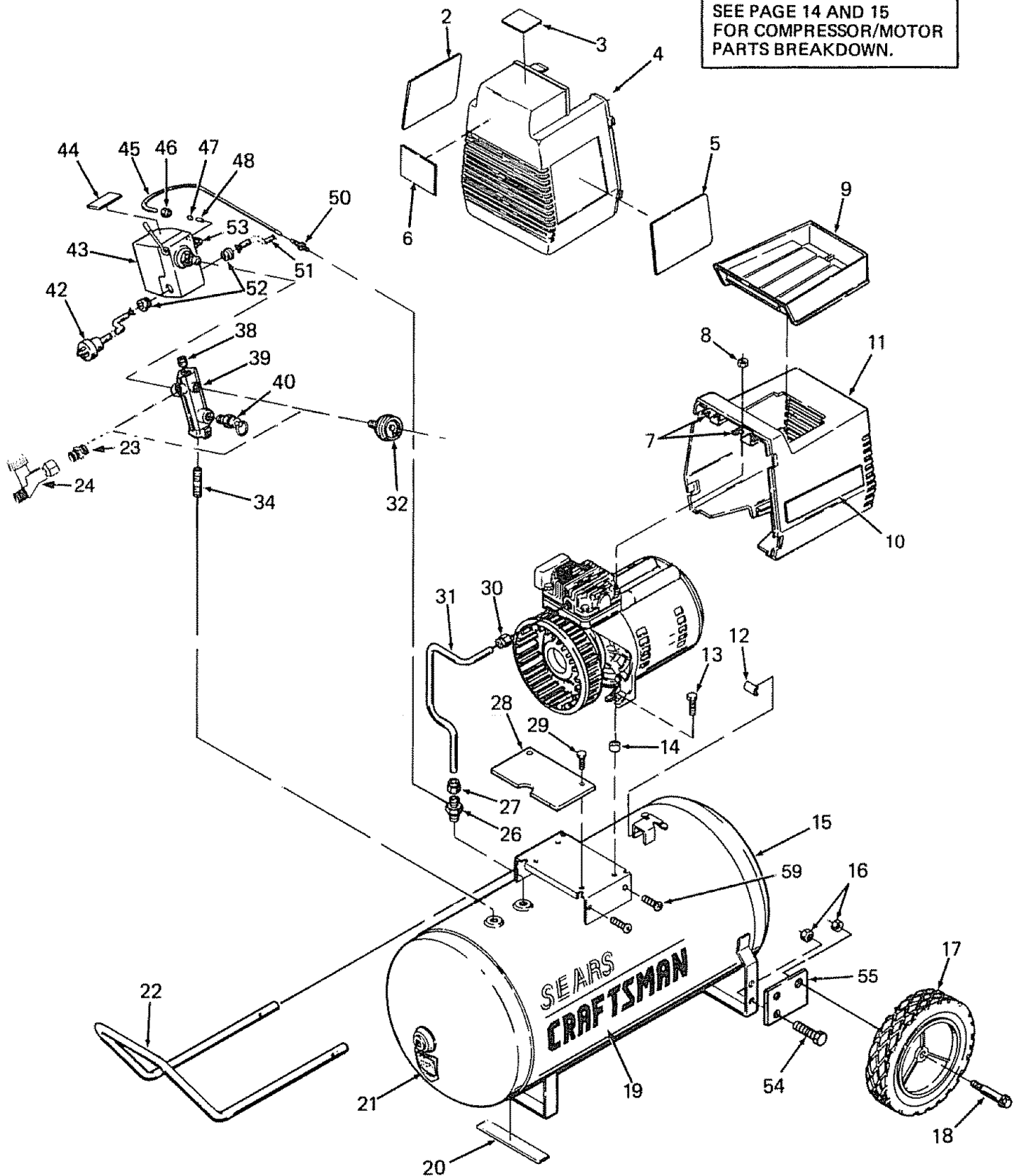
PROBLEM	CAUSE	CORRECTION
Excessive Tank pressure – safety valve pops off.	Pressure switch does not shut off motor when compressor reaches "cut-out" pressure.	Move the pressure switch lever to the "OFF" position. If the outfit doesn't shut off, and the electrical contacts are welded together, replace the pressure switch. If the contacts are good, check to see if the pin in the bottom of the pressure release valve is stuck. If it does not move freely, replace the valve.
	Pressure switch "cut-out" too high.	Return the outfit to Sears Service Center to check and adjust, or replace switch.
Air leaks at fittings.	Tube fittings are not tight enough.	Tighten fittings where air can be heard escaping. Check fittings with soapy water solution. DO NOT OVER-TIGHTEN.
Air leaks at check valve.	Defective or dirty check valve.	A defective check valve results in a constant air leak at the pressure release valve when there is pressure in the tank and the compressor is shut off. Remove and clean or replace check valve. DO NOT OVERTIGHTEN.
Air leaks at pressure switch release valve.	Defective pressure switch release valve.	Remove and replace the release valve.
	Defective check valve.	A defective CHECK valve results in a constant air leak at the pressure release valve when there is pressure in the tank and the compressor is shut off. Remove and clean or replace check valve. DO NOT OVER-TIGHTEN.
Air leaks in air tank.	Defective air tank.	Air tank must be replaced. Do not repair the leak.
<div style="border: 1px solid black; padding: 5px; text-align: center; width: fit-content; margin: auto;"> WARNING </div> <p style="text-align: center;">DO NOT DRILL INTO, WELD, OR OTHERWISE MODIFY AIR TANK OR IT WILL WEAKEN.</p>		
Air leaks between head and valve plate.	Leaking gasket.	Torque head screws to 8 ft. lbs. if this does not stop leak replace gasket.

TROUBLESHOOTING GUIDE (Continued)

PROBLEM	CAUSE	CORRECTION
Air leak from Safety Valve.	Possible defect in Safety Valve.	Operate safety valve manually by pulling on ring. If valve still leaks, it should be replaced.
Knocking Noise.	Defective Check Valve.	Remove and clean or replace.
Compressor is not supplying enough air to operate accessories.	Prolonged excessive use of air.	Decrease amount of air usage.
	Compressor is not large enough for air requirement.	Check the accessory air requirement. If it is higher than the pressure supplied by your air compressor, you need a larger compressor.
	Restricted air intake filter.	Clean or replace air intake filter. Do not operate the air compressor in the paint spray area.
	Hole in hose.	Check and replace if required.
	Check Valve restricted.	Remove and clean or replace.
	Air leaks	Tighten Fittings. (See Air Leaks Section of Troubleshooting Guide.)
Motor Will Not Run.	Motor overload protection switch has tripped.	Let motor cool off and overload switch will automatically reset.
	Tank pressure exceeds pressure switch "cut-in" pressure.	Motor will start automatically when tank pressure drops below "cut-in" pressure of pressure switch.
	Wrong gauge wire or length of extension cord.	Check for proper gauge wire and cord length.
	Check Valve stuck open.	Remove and clean or replace.
	Loose electrical connections.	Check wiring connection inside pressure switch and terminal box area.
	Possible defective capacitor.	Return to Sears Service Center for inspection or replacement if necessary.
	Paint spray on internal motor parts.	Have checked at Sears Service Center. Do not operate the compressor in the paint spray area. See flammable vapor warning on page 3.
	Possible defective motor.	Have checked at a local Sears Service Center.
	Fuse blown, circuit breaker tripped.	<ol style="list-style-type: none"> 1. Check fuse box for blown fuse and replace if necessary. Re-set circuit breaker. Do not use a fuse or circuit breaker with higher rating than that specified for your particular branch circuit. 2. Check for proper fuse; only "Fusetron" type T fuses are acceptable. 3. Check for low voltage conditions and/or proper extension cord. 4. Disconnect the other electrical appliances from circuit or operate the compressor on its own branch circuit.
	Pressure release valve on pressure switch has not unloaded head pressure.	Bleed the line by pushing the lever on the pressure switch to the "Off" position; if the valve does not open, replace it.

AIR COMPRESSOR DIAGRAM

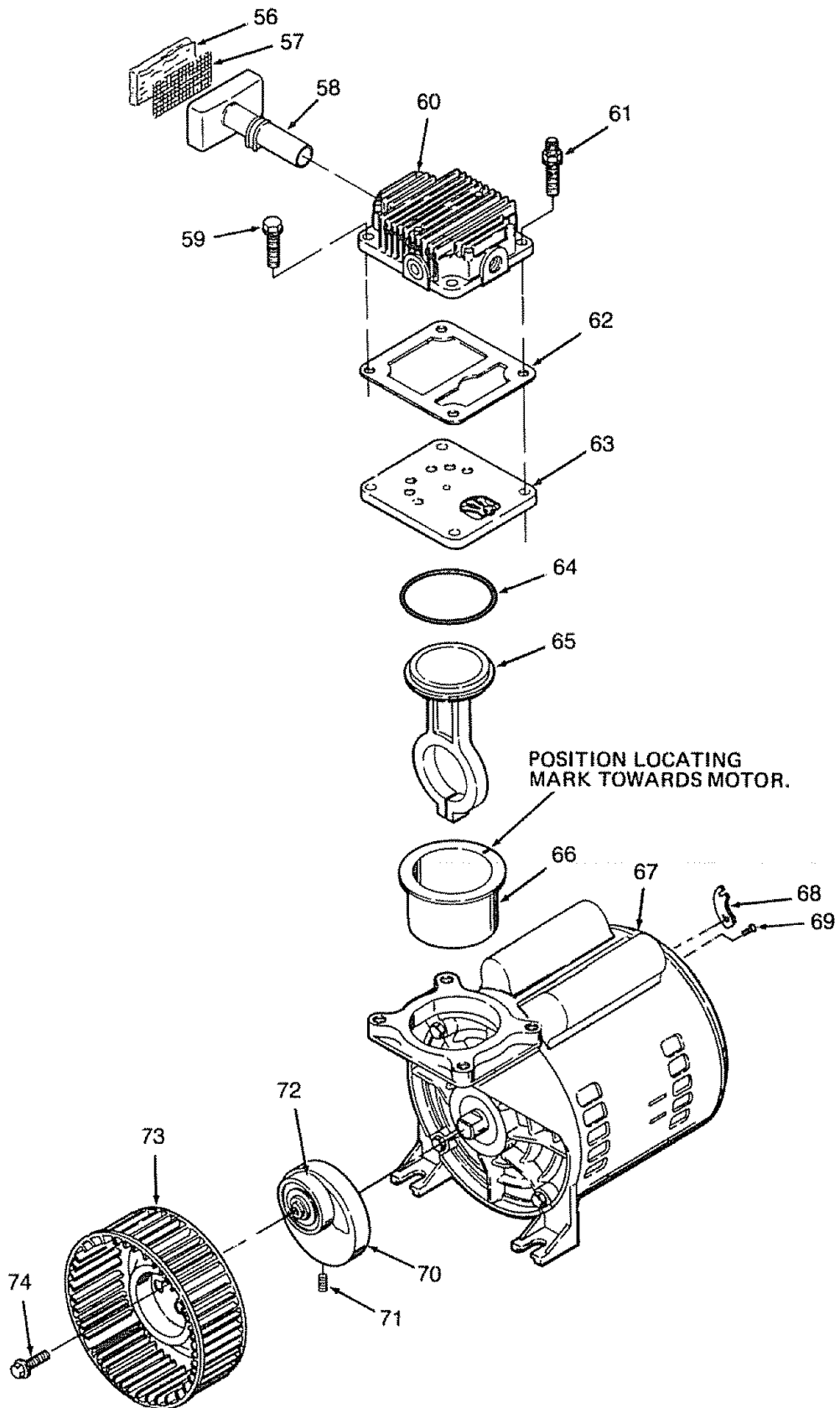
SEE PAGE 14 AND 15
FOR COMPRESSOR/MOTOR
PARTS BREAKDOWN.



PARTS LIST

KEY NO.	PART NUMBER	DESCRIPTION
1	—	Not used
2	LA-2256	Model No. Label (Model No. 919.156830)
	LA-2255	Model No. Label (Model No. 919.156730)
3	LA-1779	Hot Surface Label
4	CAC-1140	Shroud – front
5	LA-2089	Performance Label
6	LA-2178	Warning Label
7	CAC-1121	Bracket (2 used – included with #11)
8	SS-655-ZN	Hex nut 1/4" 20 (2 used)
9	CAC-1080	Tool tray
10	LA-2252	H.P. Label 3.0 H.P.
11	CAC-4317	Rear shroud assembly (includes 2 ea. #7)
12	CAC-1099	U-Channel isolator
13	SSF-505	Shoulder screw (2 used)
14	CAC-1098	Isolator (2 used)
15	TA-4186	Air Tank (Model No. 919.156830)
	TA-4187	Air Tank (Model No. 919.156730)
16	STD541437	Nut 3/8"-16 (6 used)
17	CAC-4313	Wheel (2 used)
18	CAC-60	Shoulder bolt 3/8"-16 x 2 1/4" (2 used)
19	LA-1811-1	Sears Craftsman Label
20	SUDL-6-1	Rubber foot strip
21	LA-1978	Drain Tank Label
22	CAC-1087	Handle (black finish)
23	H-2099	Adapter
24	CAC-4284	Shut-off valve
25	—	Not Used
26	CAC-4290	Check valve
27	SSP-7813	Nut sleeve assembly (for 3/8" O.D. Tube)
28	CAC-333-1	Shroud Plate
29	SSN-8001	Ratchet Fastener (2 used)
30	SSP-7821	Nut (Tighten until it stops against head)
	CAC-1120	Silicone Sleeve
31	CAC-1155	Outlet tube
32	C-GA-345	Pressure Gauge
33	—	Not Used
34	SS-2072	Nipple (3/8" NPT x 1 1/2" long)
35	—	Not Used
36	—	Not Used
37	—	Not Used
38	SS-3222-CD	Pipe plug 1/4" NPT
39	CAC-365	Manifold
40	TIA-4125	Safety valve ASME
41	—	Not Used
42	SUDL-403-1	Cord assembly – line
43	CAC-4220-1	Pressure switch
44	LA-1531-1	On-Off Label
45	CAC-1085	Pressure relief tube (warm tube before installing on #50.)
46	STD575025	Nut (for 1/4" O.D. Tube)
47	STD575026	Ferrule (for 1/4" O.D. Tube)
48	SSP-9013	Tube insert

COMPRESSOR PUMP DIAGRAM



PARTS LIST

KEY NO.	PART NUMBER	DESCRIPTION
49	SSW-7463	Shrink Tubing
50	SSP-6088	Barbed fitting
51	CAC-4215-1	Cord assembly - motor
52	SSW-7367	Strain relief (2 used)
53	KK-4315	Pressure release valve and mounting nut (included with #43)
54	SS-23-CD	Screw 3/8"-16 x 3/4 long (4 used)
55	CAC-1150	Wheel extension plate (2 used)
56	CAC-260-2	Air Filter → DAC-143
57	CAC-1174	Muffler screen → NLA
58	CAC-1173	Intake muffler
59	SSF-990	Screw 1/4"-20 x 1 1/4" (6 used, torque 7-10 ft. lbs.)
60	CAC-1067-U-1	Head
61	SSF-6640	Stud 1/4"-20 x 1 1/4" (2 used, torque 7-10 ft. lbs.)
62	CAC-1175	Gasket
63	CAC-4281	Valve plate assembly (includes valves, restrictors & screws)
64	SSG-8156	O-ring
✓ 65	-	Connecting rod assembly (torque screw 30-35 in. lbs.)
✓ 66	-	Cylinder sleeve (position locating mark towards motor)
67	C-MO-3017-1	Motor 3-HP
68	SSW-5394	Terminal box cover
69	SSF-993	Ground screw
70	CAC-4306	Eccentric/Flywheel bearing assy. (includes 1 ea. #72)
71	SSF-2043	Screw (eccentric, torque 50-60 in. lbs.)
72	SST-3025	Bearing (eccentric)
73	CAC-1148	Squirrel cage fan
74	SSF-3101	Screw #10-24 x 3/8" long (torque 30-35 in. lbs.)

NOT ILLUSTRATED

H-5796	Air Hose assembly (1/4" I.D. x 15')
9-16269	Air Chuck
SI-30-09-20	Owners Manual

✓Key 65 & 66 Can only be purchased as part of KK-4835 connecting rod kit

ACCESSORIES FOR USE WITH SEARS AIR COMPRESSORS

The following accessories are available through the current general sales catalog or at full-line Sears stores.

- | | | |
|---|---|--|
| <ul style="list-style-type: none"> • SPRAY GUNS • BLOW GUNS • AIR CAULKING GUNS • AIR POWERED WASHER GUNS • SANDBLASTERS • AIR BRUSHES • AIR LINE FILTERS • TIRE AIR CHUCKS | <ul style="list-style-type: none"> • PAINT TANKS • AIR TANKS • INFLATER KITS • QUICK CONNECTOR SETS
(various sizes) • VISCOSIMETER • AIR PRESSURE REGULATORS • OIL FOG LUBRICATORS | <ul style="list-style-type: none"> • AIR TOOLS: <ul style="list-style-type: none"> Sanders Drills Impact wrenches Hammers • AIR HOSE: <ul style="list-style-type: none"> 1/4", 5/16" or 3/8" I.D. in various lengths |
|---|---|--|

SEARS

OWNERS MANUAL

SERVICE

MODEL NO.
919.156730
919.156830

HOW TO ORDER REPAIR PARTS

CRAFTSMAN PERMANENTLY LUBRICATED AIR COMPRESSOR

Now that you have purchased your Sears Air Compressor, should a need ever exist for repair parts or service, simply contact any Sears Service Center and most Sears, Roebuck and Co. stores. Be sure to provide all pertinent facts when you call or visit.

The model number of your Sears Air Compressor is 919. _____.
This number can be found on the label which is located on the back of the shroud.

WHEN ORDERING REPAIR PARTS, ALWAYS GIVE THE
FOLLOWING INFORMATION:

- PART NUMBER
- PART DESCRIPTION
- MODEL NUMBER
- NAME OF ITEM

All parts listed may be ordered from any Sears Service Center and most Sears stores.

If the parts you need are not stocked locally, your order will be electronically transmitted to a Sears Repair Parts Distribution Center for handling.

Sears, Roebuck and Co., Chicago, IL 60684 U.S.A.

Free Manuals Download Website

<http://myh66.com>

<http://usermanuals.us>

<http://www.somanuals.com>

<http://www.4manuals.cc>

<http://www.manual-lib.com>

<http://www.404manual.com>

<http://www.luxmanual.com>

<http://aubethermostatmanual.com>

Golf course search by state

<http://golfingnear.com>

Email search by domain

<http://emailbydomain.com>

Auto manuals search

<http://auto.somanuals.com>

TV manuals search

<http://tv.somanuals.com>