

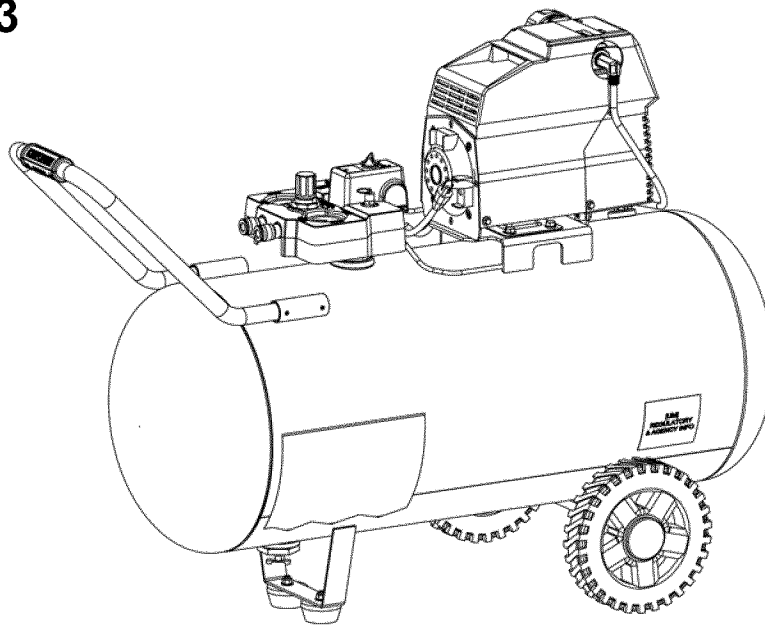
Owner's Manual



AIR COMPRESSOR

Oilless
Single Stage
Direct Drive, Electric
33 Gallon Horizontal

Model No. 921.16473



CAUTION:

Before using this product,
read this manual and follow
all its Safety Rules and
Operating Instructions.

- Safety Instructions
- Installation & Operation
- Maintenance & Storage
- Troubleshooting Guide
- Parts List
- Español, p. 15
- Français, p. 24

Sears Brands Management Corporation, Hoffman Estates, IL 60179 U.S.A.
www.craftsman.com

TABLE OF CONTENTS

WARRANTY2	SERVICE INTERVAL8
SPECIFICATION CHART2	TROUBLESHOOTING CHART9
SAFETY GUIDELINES3-4	PARTS DRAWINGS AND PARTS LISTS10-14
GLOSSARY OF TERMS4		
OVERVIEW5		
ASSEMBLY5		
COMPRESSOR CONTROLS6		
MOTOR RESET AND WIRING6		
ELECTRICAL POWER REQUIREMENTS7		
OPERATING INSTRUCTIONS7		
MAINTENANCE8		

WARRANTY

CRAFTSMAN ONE YEAR FULL WARRANTY

FOR ONE YEAR from the date of purchase, this product is warranted against any defects in material or workmanship. Defective product will receive free repair or free replacement if repair is unavailable.

For warranty coverage details to obtain repair or replacement, visit the web site: www.craftsman.com

This warranty does not cover the air filter or drive belt, which are expendable parts that can wear out from normal use within the warranty period.

This warranty is void if this product is ever used while providing commercial services or if rented to another person.

This warranty gives you specific legal rights, and you may also have other rights which vary from state to state.

Sears Brands Management Corporation, Hoffman Estates, IL 60179 U.S.A.

SPECIFICATION CHART

MODEL NO.	RUNNING H.P.	TANK CAPACITY GALLONS	VOLTAGE/ AMPS/PHASE	APPROXIMATE CUT-IN PRESSURE	APPROXIMATE CUT-OUT PRESSURE
921.16473 (WPB1683321)	1.6	33 (124,92 Liters)	115/15/1	120 (8,27 bar)	150 (10,34 bar)

SAFETY GUIDELINES

The following information relates to protecting YOUR SAFETY and PREVENTING EQUIPMENT PROBLEMS. To help you recognize this information, we use the following symbols. Please read the manual and pay attention to these sections.











⚠ DANGER: – A POTENTIAL HAZARD THAT WILL CAUSE SERIOUS INJURY OR LOSS OF LIFE.

⚠ WARNING: – A POTENTIAL HAZARD THAT COULD CAUSE SERIOUS INJURY OR LOSS OF LIFE.

⚠ CAUTION: – A POTENTIAL HAZARD THAT MAY CAUSE MODERATE INJURY OR DAMAGE TO EQUIPMENT.






IMPORTANT SAFETY INSTRUCTIONS

⚠ WARNING:

<p>RISK OF FIRE OR EXPLOSION.</p> 	<p>Never spray flammable liquids in a confined area. It is normal for the motor and pressure switch to produce sparks while operating. If sparks come into contact with vapors from gasoline or other solvents, they may ignite, causing fire or explosion. Always operate the compressor in a well-ventilated area. Do not smoke while spraying. Do not spray where sparks or flame are present. Keep compressor as far from spray area as possible. Store flammable materials in a secure location away from compressor. Equip the area of operation with a fire extinguisher.</p>
<p>RISK OF BURSTING.</p> 	<p>Do not weld, drill or modify the air tank of this compressor. Welding or modifications on the air compressor tank can severely impair tank strength and cause an extremely hazardous condition. Welding or modifying the tank in any manner will void the warranty. If tank develops a leak, replace it immediately with a new tank or replace the entire compressor.</p>
<p>RISK OF ELECTRICAL SHOCK.</p> 	<p>Never use an electric air compressor outdoors when it is raining or on a wet surface, as it may cause an electric shock. Failure to provide adequate grounding to this product could result in serious injury or death from electrocution. Make certain that the electrical circuit to which the compressor is connected provides proper electrical grounding, correct voltage and adequate fuse protection.</p>
<p>RISK OF INJURY.</p> 	<p>This unit starts automatically. ALWAYS shut off the compressor, remove the plug from the outlet, and bleed all pressure from the system before servicing the compressor, and when the compressor is not in use. Do not use the unit with the shrouds or belt guard removed. Serious injury could occur from contact with moving parts. Stay alert and watch what you are doing when operating the compressor. Do not use the compressor while tired or under the influence of drugs or alcohol.</p>
<p>RISK OF BURSTING.</p> 	<p>Check the manufacturer's maximum pressure rating for air tools and accessories. Compressor outlet pressure must be regulated so as to never exceed the maximum pressure rating of the tool. Relieve all pressure through the hose before attaching or removing accessories. Never use compressor to inflate small low pressure objects such as children's toys, footballs, basketballs, etc.</p>
<p>RISK OF BURNS.</p> 	<p>High temperatures are generated by the pump and manifold. To prevent burns or other injuries, DO NOT touch the pump, manifold or transfer tube while the pump is running. Allow them to cool before handling or servicing. Keep children away from the compressor at all times. Do not reach around protective shrouds or attempt to maintenance until unit has been allowed to cool.</p>
<p>RISK TO BREATHING/INHALATION HAZARD..</p> 	<p>Always wear MSHA/NIOSH approved, properly fitting face mask or respirator and work in a well ventilated area when using tools that generate dust. Some dust created by power sanding, grinding, drilling and other construction activities contains chemicals known (to the State of California) to cause cancer, birth defects or other reproductive harm. Some examples of these chemicals are:</p> <ul style="list-style-type: none"> • lead from lead-based paints • crystalline silica from bricks and cement and other masonry products • arsenic and chromium from chemically treated lumber.
<p>RISK TO BREATHING.</p> 	<p>Be certain to read all labels when you are spraying paints or toxic materials, and follow the safety instructions provided on the lable or safety sheets for the materials you are spraying. Use a MSHA/NIOSH approved respirator mask if there is a chance of inhaling anything you are spraying. Read all instructions and be sure that your respirator mask will protect you. Work in an area with good cross ventilation.</p>
<p>RISK OF EYE INJURY.</p> 	<p>Always wear ANSI Z87.1 approved safety goggles when using an air compressor. Never point any nozzle or sprayer toward a person, animal or any part of the body. Equipment can cause serious injury if the spray penetrates the skin.</p>
<p>RISK OF BURSTING.</p> 	<ul style="list-style-type: none"> •Do not adjust the pressure relief valve for any reason. Doing so voids all warranties. The relief valve has been pre-set at the factory for the maximum pressure of this unit. Personal injury and /or property damage may result if the relief valve is tampered with. •Do not use plastic or pvc pipe for compressed air. Use only galvanized steel pipe and fittings for compressed air distribution lines.

IMPORTANT SAFETY INSTRUCTIONS

⚠ WARNING:

RISK OF FIRE. 	Unattended operation of this compressor could result in personal injury or property damage. To reduce the risk of fire, do not allow the compressor to operate unattended. Always disconnect electrical power by turning the pressure switch to off and drain the tank daily or after each use.
RISK TO BREATHING. 	Air obtained directly from the compressor should never be used to supply air for human consumption. The air stream may contain carbon monoxide, toxic vapors, or solid particles from tank. Breathing these contaminants can cause serious injury or death. In order to use air produced by this compressor for breathing, suitable filters and in-line safety equipment must be properly installed. In-line filters and safety equipment must be properly installed. In-line filters and safety equipment used in conjunction with the compressor must be capable of treating air to all applicable local and federal codes prior to human consumption.
RISK OF INJURY 	Always operate the compressor in a stable secure position to prevent accidental movement of the unit. Never operate the compressor on a table, workbench, roof or other elevated position. Use additional air hose to reach high locations.
RISK TO HEARING. 	Always wear hearing protection when using an air compressor. Failure to do so may result in hearing loss.
	The power cord on this product contains lead, a chemical known to the State of California to cause cancer, and birth defects or other reproductive harm. <i>Wash hands after handling.</i>
NOTE: ELECTRICAL WIRING.	Refer to the air compressor's serial label for the unit's voltage and amperage requirements. Ensure that all wiring is done by a licensed electrician, in accordance with the National Electrical code.

⚠ CAUTION:

Drain the moisture from the tank on a daily basis. A clean, dry tank will help prevent corrosion.
Pull the tank safety valve ring daily to ensure that the valve is functioning properly, and to clear the valve of any possible obstructions.
To provide proper ventilation for cooling, the compressor must be kept a minimum of 12 inches (31 cm) from the nearest wall, in a well-ventilated area. Restricting any of the compressor ventilation openings will cause overheating and could cause fire, never place objects against or on top of compressor.
Fasten the compressor down securely if transporting is necessary. Pressure must be released from the tank before transporting.
Protect the air hose and electric cord from damage and puncture. Inspect them weekly for weak or worn spots, and replace if necessary.
To reduce the risk of electric shock, do not expose to rain. Store indoors.
Never operate the compressor if the power cord or plug are damaged. Have the unit serviced at a Sears or other qualified service center.

GLOSSARY OF TERMS

CFM: Cubic feet per minute; a unit of measure of air flow.

PSI: Pounds per square inch; a unit of measure of air pressure.

Cut-in pressure: While the motor is off, air tank pressure drops as you continue to use your accessory. When the tank pressure drops to factory set low pressure point, the motor will restart automatically. The low pressure at which the motor automatically restarts is called "cut-in" pressure.

Cut-out pressure: When an air compressor is turned on and begins to run, air pressure in the air tank begins to build. It builds to the factory set high pressure point before the motor automatically shuts off, protecting your air tank from pressure higher than its capacity. The high pressure at which the motor

shuts off is called "cut-out" pressure.

Well-ventilated: Means of providing fresh air in exchange for dangerous exhaust or vapors.

Dedicated circuit: An electrical circuit reserved for the exclusive use of the air compressor.

OVERVIEW

BASIC AIR COMPRESSOR COMPONENTS

Oilless air compressors are factory lubricated for life and do not require any oil.

The basic components of the air compressor are the electric motor, pump, pressure switch and tank (see *Fig. 1*).

The **electric motor** (see **A**) powers the pump. The electric motor is equipped with an **overload protector** to help prevent possible motor burnout. If the motor becomes overheated, the overload protector will shut it down. Should this occur, allow the motor to cool for 10-15 minutes, then press (never force) the motor reset switch to restart the motor.

The **pump** (see **A**) compresses the air and discharges it into the tank.

The **tank** (see **B**) stores the compressed air.

The **pressure switch** (see **C**) shuts down the motor when the tank reaches a pre-set "cut-out" pressure. As compressed air is used and the tank drops to a pre-set "cut-in" pressure, the switch restarts the motor automatically, and the pump resumes compressing air.

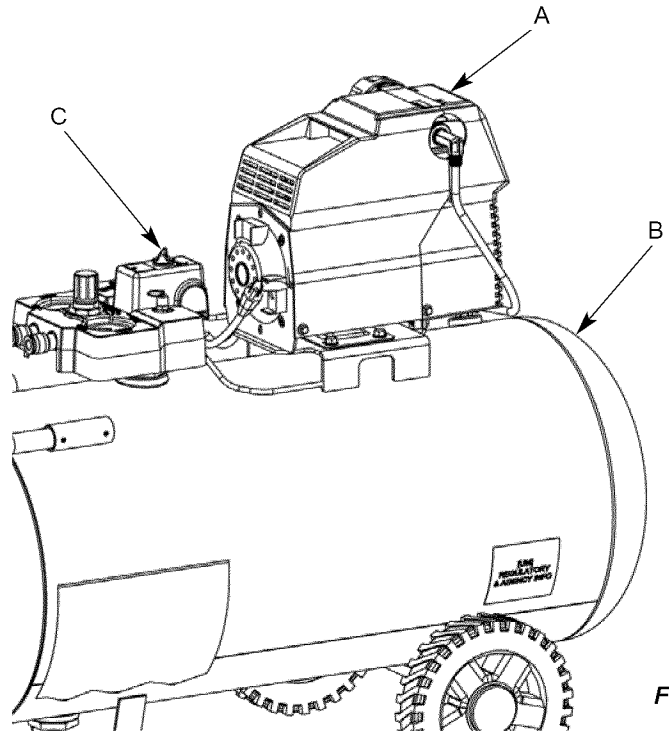


Fig. 1

ASSEMBLY

ASSEMBLING THE COMPRESSOR

1. Unpack the air compressor. Inspect the unit for damage. If the unit has been damaged in transit, contact the carrier and complete a damage claim. Do this immediately because there are time limitations to damage claims.

The carton should contain:

- air compressor
- operator/parts manual
- handle

2. Check the compressor's serial label to ensure that you have received the model ordered, and that it has the required pressure rating for its intended use.
3. For horizontal compressors only, install the handle by loosening the set screws (**D**) and then placing the handle ends (**E**) into the handle brackets (**F**) and secure with the set screws (**D**) (see *Fig. 2*). Tighten screws using a size 3mm hex wrench (not included).
3. Locate the compressor according to the following guidelines:
 - a. Position the compressor near a grounded electrical outlet (see **GROUNDING INSTRUCTIONS**). **Avoid using an extension cord**; use a longer air hose instead.
 - b. The pump side of the compressor must be at least 12 inches (31 cm) from any wall or obstruction, in a clean, well-ventilated area, to ensure sufficient air flow and cooling.
 - c. In cold climates, store portable compressors in a

heated building when not in use. This will reduce problems with lubrication, motor starting and freezing of water condensation.

- d. The compressor must be level to ensure drainage of the moisture in the tank.

4. Connect an air hose (not included) to the quick connect (**G**).

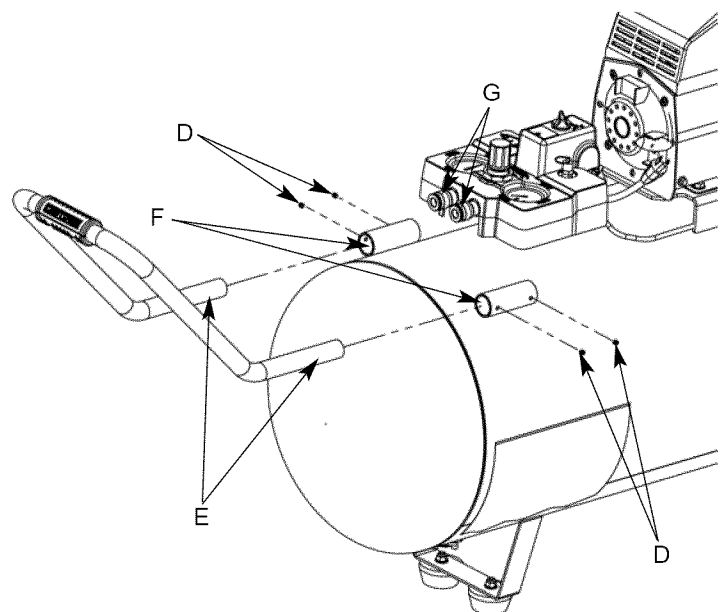


Fig. 2

COMPRESSOR CONTROLS

Pressure Switch (see A)

This switch turns on the compressor. It is operated manually, but when in the AUTO position, it allows the compressor to start up or shut down automatically, without warning, upon air demand. ALWAYS set this switch to OFF when the compressor is not being used, and before unplugging the compressor.

Tank Safety Valve (see B)

Used to allow tank pressure to escape into the atmosphere. If the pressure switch does not shut off the compressor at its "cut-out" pressure setting, the safety valve will protect against high pressure by releasing tank pressure at its factory set pressure (slightly higher than the pressure switch "cut-out" setting). To operate manually, pull the ring on the valve to relieve air pressure in the tank.

Pressure Release Valve (see C)

The pressure release valve (located on the bottom of the pressure switch), is designed to release compressed air from the compressor head and outlet tube when the compressor reaches "cut-out" or is shut off. The pressure valve allows the motor to restart freely. When the motor stops running, air will be heard escaping from this valve for a few seconds. No air should be heard leaking when the motor is running or after brief release after reaching "cut-out" pressure.

Tank Pressure Gauge (see D)

This gauge measures the pressure level of the air stored in the tank. It is not adjustable by the operator, and does *not* indicate line pressure.

Air Pressure Regulator (see E)

This air pressure regulator enables you to adjust line pressure to the tool you are using.

⚠ WARNING: Never exceed the maximum working pressure of the tool.

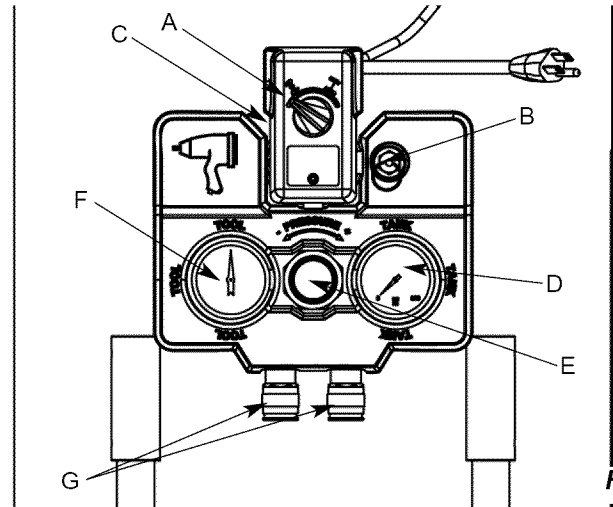
To adjust pressure setting, pull out the knob and turn clockwise to increase pressure, and counterclockwise to decrease pressure. To lock a pressure setting, push the knob in.

Regulated Pressure Gauge (see F)

This gauge measures the regulated line pressure.

Quick Connect(s) (see G)

A quick release for attaching and removing the air hose.

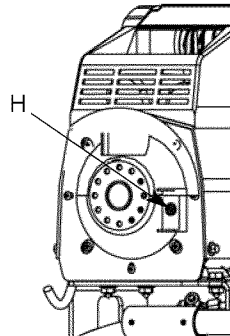


ELECTRICAL POWER REQUIREMENTS

MOTOR RESET SWITCH

⚠ WARNING: Ensure that all guards and shrouds are in place before pressing the reset switch to restart the motor.

If the motor shuts down because of overload, wait 10–15 minutes so the motor can cool down, then press (*NEVER force*) the reset switch (see H) to restart the motor.



ELECTRICAL WIRING

Refer to the air compressor's serial label for the unit's voltage and amperage requirements.

Use a dedicated circuit

For best performance and reliable starting, the air compressor must be plugged into a dedicated circuit, as close as possible to the fuse box or circuit breaker. The compressor will use the full capacity of a typical 15 amp household circuit. If any other electrical devices are drawing from the compressor's circuit, the compressor may fail to start. Low voltage or an overloaded circuit can result in sluggish starting that causes the motor overload protection system or circuit breaker to trip, especially in cold conditions.

NOTE: To handle the initial electrical load of starting the air compressor, a circuit breaker is recommended. If the air compressor is connected to a circuit protected by a fuse, use dual element time delay fuses (Buss Fusetron type "T" only).

EXTENSION CORDS

NOTE: Avoid use of extension cords.

For optimum performance, plug the compressor power cord directly into a grounded wall socket. Do not use an extension cord unless absolutely necessary. Instead, use a longer air hose to reach the area where the air is needed.

If use of an extension cord cannot be avoided, the cord should be no longer than 50 feet and be a minimum wire size of 12 gauge (AWG). Do not use a 16 or 14 gauge extension cord.

Use only a 3-wire extension cord that has a 3-blade grounding plug, and a 3-slot receptacle that will accept the plug on the product. Make sure your extension cord is in good condition. An undersized cord will cause a drop in line voltage, resulting in loss of power and overheating. The smaller the gauge number, the heavier the cord.

GROUNDING INSTRUCTIONS

This product should be grounded. In the event of an electrical short circuit, grounding reduces the risk of electric shock by providing an escape wire for the electric current.

ELECTRICAL POWER REQUIREMENTS

This product is equipped with a cord having a grounding wire with an appropriate grounding plug. The plug must be plugged into an outlet that is properly installed and grounded in accordance with all local codes and ordinance.

⚠ DANGER: Improper installation of the grounding plug can result in a risk of electric shock. If repair or replacement of the cord or plug is necessary, do not connect the grounding wire to either flat blade terminal of the plug. The wire insulation having an outer surface that is green with or without yellow stripes is the grounding wire.

This product is for use on a 115 volt circuit. A cord with a grounding plug, as shown here, shall be used.

Make sure that the product is connected to an outlet having the same configuration as the plug (see Fig. 5). No adapter should be used with this product.

Check with a licensed electrician if the grounding instructions

are not completely understood, or if in doubt as to whether the product is properly grounded. Do not modify the plug provided; if it will not fit the outlet, have the proper outlet installed by a licensed electrician.

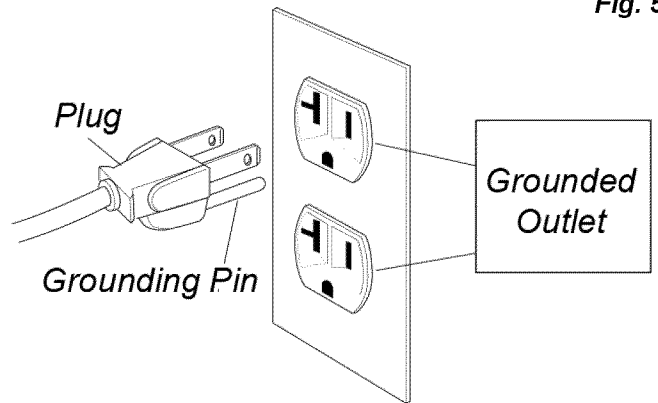


Fig. 5

OPERATING INSTRUCTIONS

DAILY START-UP

1. Turn the pressure switch to the OFF position (see C).
2. Close the tank petcock (see F). Turn in the clockwise direction.
3. Plug in the power cord.

⚠ WARNING: High temperatures are generated by the electric motor and the pump. To prevent burns or other injuries, DO NOT touch the compressor while it is running. Allow it to cool before handling or servicing. Keep children away from the compressor at all times.

4. Turn the pressure switch to the AUTO position (see D).
5. Adjust the regulator to the working pressure of the tool.

NOTE: To adjust pressure setting, pull out the knob and turn clockwise to increase pressure, and counterclockwise to decrease pressure. To lock a pressure setting, push the knob in.

⚠ WARNING: When adjusting from a higher to a lower pressure, turn the knob counterclockwise past the desired setting, then turn clockwise to reach the desired pressure. Do not exceed operating pressure of the tool or accessory being used.

SHUTDOWN

1. Turn the pressure switch to the OFF position (see C).
2. Unplug the power cord.
3. Reduce pressure in the tank through the outlet hose. You can also pull the tank safety valve ring (see G) and keep it open to relieve pressure in the tank.
4. Open the petcock (see E) to allow moisture to drain from the tank.

⚠ CAUTION: Escaping air and moisture can propel debris that may cause eye injury. Wear safety goggles when opening petcock.

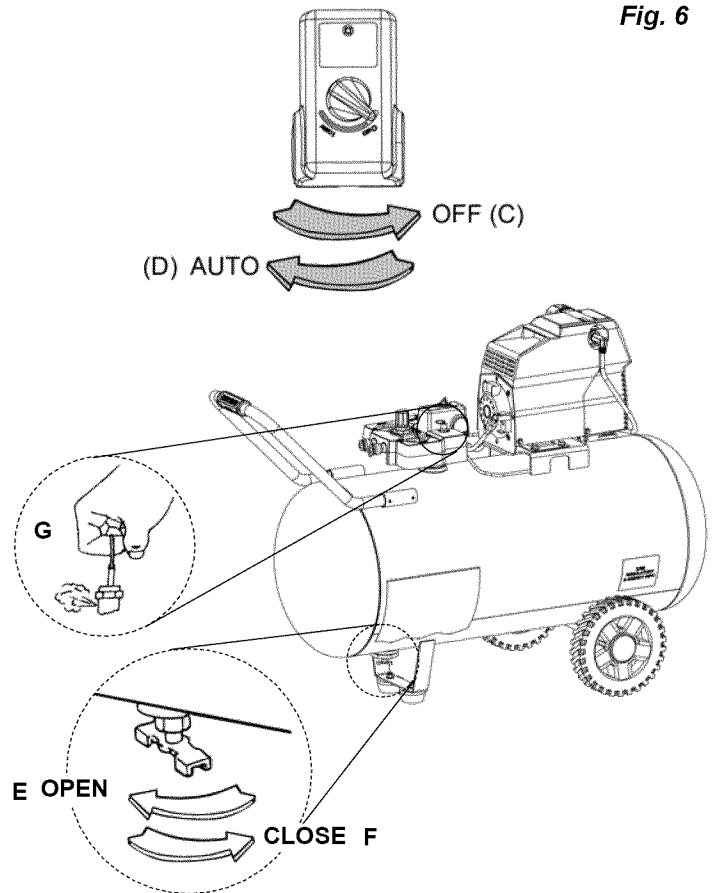


Fig. 6

MAINTENANCE

MAINTENANCE

⚠ WARNING: To avoid personal injury, always shut off and unplug the compressor and relieve all air pressure from the system before performing any service on the air compressor.

Regular maintenance will ensure trouble-free operation. Your electric powered air compressor represents high-quality engineering and construction; however, even high-quality machinery requires periodic maintenance. The items listed below should be inspected on a regular basis

DRAINING THE TANK

Drain the moisture from the tank (for instructions, see "Shutdown" in the operating instructions section).

⚠ WARNING: Condensation will accumulate in the tank. To prevent corrosion of the tank from the inside, this moisture must be drained at the end of every workday. Wear protective eyewear.

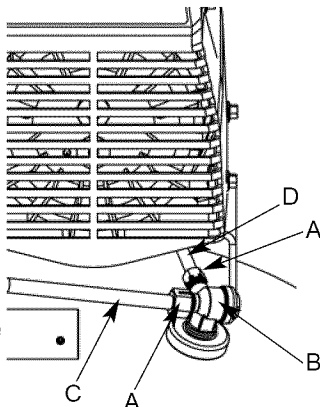
NOTE: In cold climates, drain the tank after each use to reduce problems with freezing of water condensation.

TO REPLACE OR CLEAN CHECK VALVE

⚠ WARNING: RISK OF INJURY. This unit starts automatically. ALWAYS shut off the compressor, remove the plug from the outlet, and bleed all pressure from the system before servicing the compressor, and when the compressor is not in use. Do not use the unit with the shrouds or belt guard removed. Serious injury could occur from contact with moving parts.

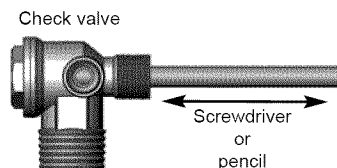
1. Turn air compressor off, remove the power cord from the outlet or lock out the power supply and relieve all the air pressure from the tank (refer to "Shutdown" in Operating Instructions). Make sure the compressor has cooled down before servicing.

2. Using the appropriately sized wrench, loosen the compression nuts (A) on the check valve (B). Gently move the transfer tube (C) and bleeder tube (D) out of the way.



3. Making note of the orientation for reassembly, unscrew the check valve from the tank (counterclockwise) using the appropriately sized wrench.

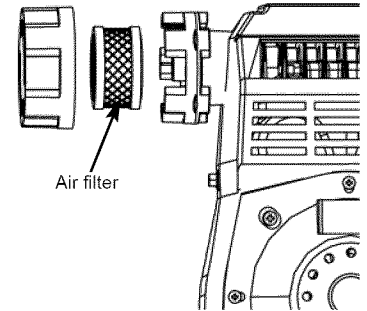
4. Using a pencil or screwdriver, carefully push the valve disc up and down. If the valve disc does not move freely up and down, the check valve needs to be cleaned or replaced.



5. Clean the check valve with warm soapy water and make sure to dry thoroughly before reinstalling. If the disc valve still does not move freely up and down, it will need to be replaced.
6. Apply thread sealant to the check valve threads and reinstall into the tank by turning clockwise. Make sure it is the same orientation as when it was removed.
7. Replace the bleeder tube and tighten compression nuts.
8. Replace the transfer tube and tighten compression nuts.

CLEANING THE AIR FILTER

A dirty air filter will reduce the compressor's performance and life. To avoid any internal contamination of the pump, the filter should be cleaned frequently, and replaced on a regular basis. Felt filters should be cleaned in warm, soapy water, rinsed, and allowed to air dry before reinstallation. Paper filters should be replaced when dirty. Do not allow the filter to become filled with dirt or paint. If the filter becomes filled with paint, it should be replaced. Direct exposure to dirty conditions or painting areas will void your warranty.



CHECKING THE RELIEF VALVE

Pull the tank safety valve daily to ensure that it is operating properly and to clear the valve of any possible obstructions.

TESTING FOR LEAKS

Check that all connections are tight. A small leak in any of the hoses, transfer tubes, or pipe connections will substantially reduce the performance of your air compressor. If you suspect a leak, spray a small amount of soapy water around the area of the suspected leak with a spray bottle. If bubbles appear, repair or replace the faulty component. Do not over tighten any connections.

STORAGE

Before storing the compressor for a prolonged period, use an air blow gun to clean all dust and debris from the compressor. Disconnect the power cord and coil it up. Pull the tank safety valve to release all pressure from the tank. Drain all moisture from the tank. Clean the filter element and filter housing; replace the element if necessary. Drain the oil from the pump crankcase and replace it with new oil. Cover the entire unit to protect it from moisture and dust.

SERVICE INTERVAL

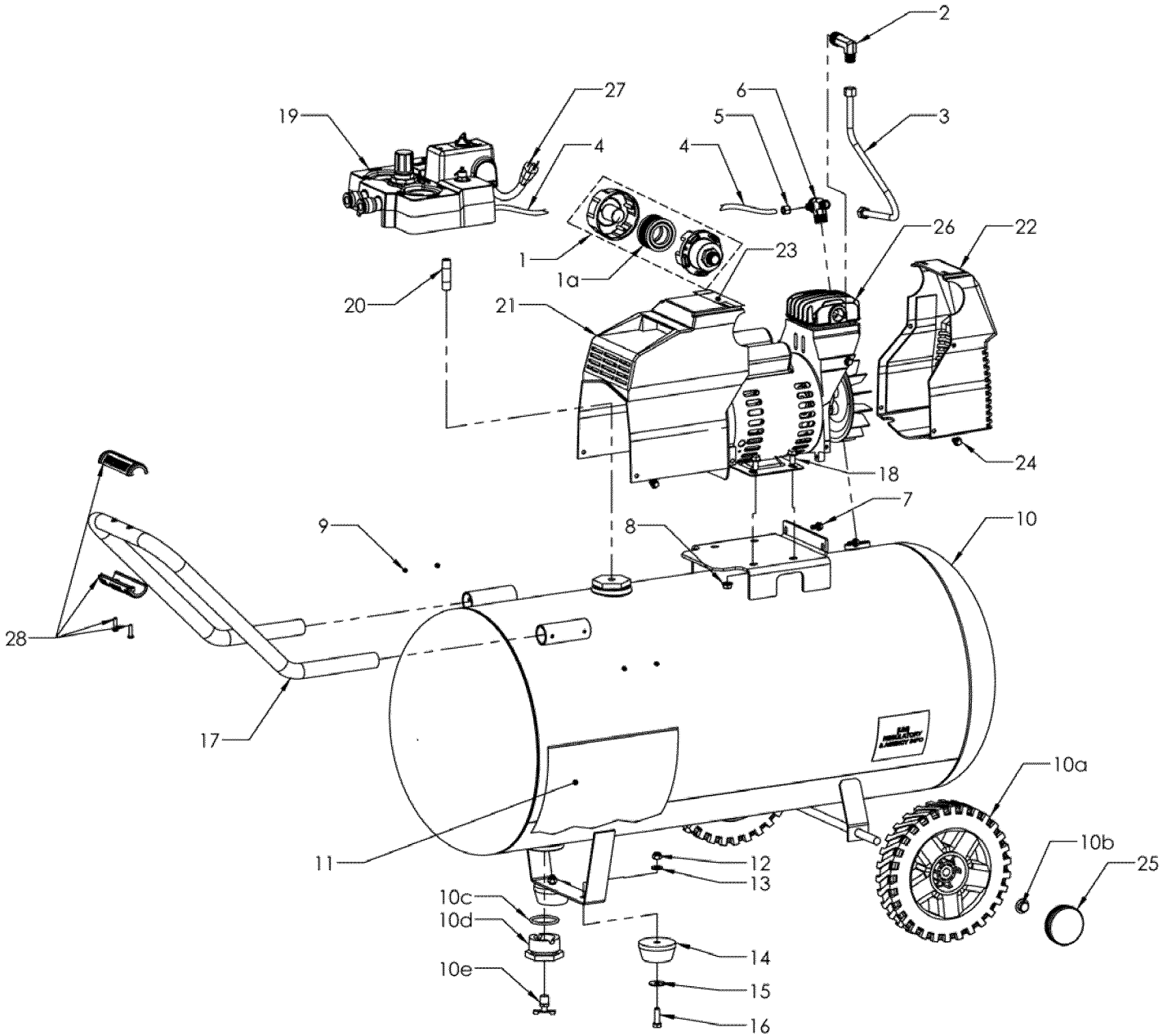
Perform the following maintenance at the intervals indicated below.	Daily or after each use
Inspect air filter (clean or replace as necessary)	When used in dusty conditions
Operate the tank safety valve	•
Drain tank	•

TROUBLESHOOTING

Note: Troubleshooting problems may have similar causes and solutions.

PROBLEM	POSSIBLE CAUSE	SOLUTION	
Low pressure or not enough air or Compressor does not stop	Tank petcock is open	Close petcock.	
	Fittings Leak	Check fittings with soapy water. Tighten or reseal leaking fittings. DO NOT OVERTIGHTEN.	
	Restricted air intake	Clean or replace intake filter element.	
	Prolonged excessive use of air	Decrease amount of air used.	
	Compressor not large enough	Check air requirement of accessory. If it is higher than CFM and pressure supplied by compressor, you need a larger compressor. Most accessories are rated at a 25% duty cycle.	
	Hole in air hose	Check and replace if necessary.	
	Tank leaks	⚠ WARNING: Immediately replace tank. DO NOT attempt to repair.	
	Blown seals	Contact a Sears or other qualified service center.	
	Valve leaks	Contact a Sears or other qualified service center.	
Leaking or worn piston	Contact a Sears or other qualified service center.		
Air leaks from regulator, or regulator does not regulate pressure	Dirty or damaged regulator internal parts.	Contact a Sears or other qualified service center.	
Regulated pressure gauge reading drops when air accessory is being used	This is normal	If pressure drops too low, adjust regulator while accessory is used.	
	Compressor not large enough	Check air requirement of accessory. If it is higher than CFM and pressure supplied by compressor, you need a larger compressor. Most accessories are rated at a 25% duty cycle.	
Pressure relief valve opens	Tank pressure exceeded normal operating pressure	Contact a Sears or other qualified service center.	
	Pressure switch stuck	Contact a Sears or other qualified service center.	
Motor will not run	Tank pressure exceeds preset pressure switch limit	Motor will start automatically when tank pressure drops below kick-in pressure of pressure tank.	
	Motor overload protection has tripped	Let motor cool off and overload switch will automatically reset. This may take several minutes.	
	Fuse blown or circuit breaker tripped		<ul style="list-style-type: none"> • Replace blown fuse or reset circuit breaker. Do not use fuse or circuit breaker with higher rating than specified for your branch circuit. • Check for proper fuse; "Fusetron" type T is acceptable. • Check for low voltage and proper extension cord size. • Disconnect other applications from circuit. Operate compressor on a dedicated circuit.
		Dirty or defective check valve.	Replace or clean the check valve (see "To replace or clean check valve" in the maintenance section).
		Wrong wire gauge in cord or excessive extension cord length	Check for proper gauge and extension cord length.
	Loose electrical connections	Contact a Sears or other qualified service center.	
	Paint spray on internal motor parts	Contact a Sears or other qualified service center. Do not operate compressor in the paint spray area	
	Possible defective motor	Contact a Sears or other qualified service center.	
Air leaking through bleeder valve after compressor shuts off	Dirty or defective check valve.	Replace or clean the check valve (see "To replace or clean check valve" in the maintenance section).	

PARTS DRAWING / ESQUEMA DE LAS PIEZAS / DESSIN DES PIÈCES



PARTS LIST / LISTA DE PIEZAS / LISTE DE PIÈCES

Item Artículo Article	Part No. Nº de pieza No / P	Qty Cant. Qté	Description	Descripción	Description
1	019-0271	1	Filter, assy (includes item 1a)	Filtro (incluye los artículo 1a)	Filtre (includ les élément 1a)
1a	019-0278	1	Element, filter replacement	Elemento	Élément
2	064-0117	1	Elbow	Codo	Coude
3	145-0634	1	Tube, transfer	Tubo	Tube
4	145-0324	1	Tube, bleeder	Tubo	Tube
5	058-0017	1	Nut, 1/4" O.D. tube	Tuerca	Écrou
6	031-0094	1	Check Valve	Válvula	Soupape
7	N/A	2	Bolt, M6 x 12mm	Perno	Boulon
8	N/A	4	Nut, 5/16-18	Tuerca	Écrou
9	061-0228	4	Setscrew, M6 x 6mm	Tornillo fijador	Vis d'arrêt
10	153-0175	1	Tank assembly (includes items 10a-10e)	Depósito (incluye los artículos 10a-10e)	Ensemble du réservoir (includ les éléments 10a-10e)
10a	095-0080	2	Wheel	Rueda	Roue
10b	033-0001	2	Hubcap 1/2"	Tapacubo	Chapeau de moyeu
10c	513-0002	2	O-Ring 1-1/2	Junta tórica	Joint torique
10d	512-0035	2	Bushing, 1-1/2 NPSM x 1/4 NPT	Buje	Bague
10e	072-0006	1	Petcock	Grifo de purga	Robinet de purge
11	098-3870	1	Label, warning	Etiqueta de advertencia	D'avertissement étiquette
12	N/A	2	Nut, 5/16-18 nylon stop	Tuerca	Écrou
13	N/A	2	Washer, 5/16	Arandela	Rondelle
14	094-0186	2	Pad	Almohadilla	Tampon
15	N/A	2	Washer, 5/16 x 1" OD	Arandela	Rondelle
16	N/A	2	Bolt, 5/16 x 1"	Perno	Boulon
17	112-0190	1	Handle assy (includes item 28)	Empuñadura (incluye los artículo 28)	Poignée (includ les élément 28)
18	N/A	4	Bolt, 5/16 x 1/2"	Perno	Boulon
19	See page 14	1	Manifold assembly	Colector	Ensemble du collecteur
20	065-0004	1	Nipple, 1/4" x 2"	Latiguillo	Manchon fileté
21	142-0239	1	Shroud, back F3C2	Protector	Garant
22	142-0238	1	Shroud, front F3C2	Protector	Garant
23	098-2856	1	Label, warning	Etiqueta de advertencia	D'avertissement étiquette
24	061-0230	6	Screw, M6 x 1 x 12mm	Tornillo	Vis
25	033-0010	2	Cap	Tapa	Casquette
26	See pages 12-13	1	Pump/motor assembly	Bomba	Ensemble du pompe
27	026-0030	1	Cord, power	Cable	Câble
28	093-0100	1	Handle grip kit	Kit del empuñadura	Kit de poignée

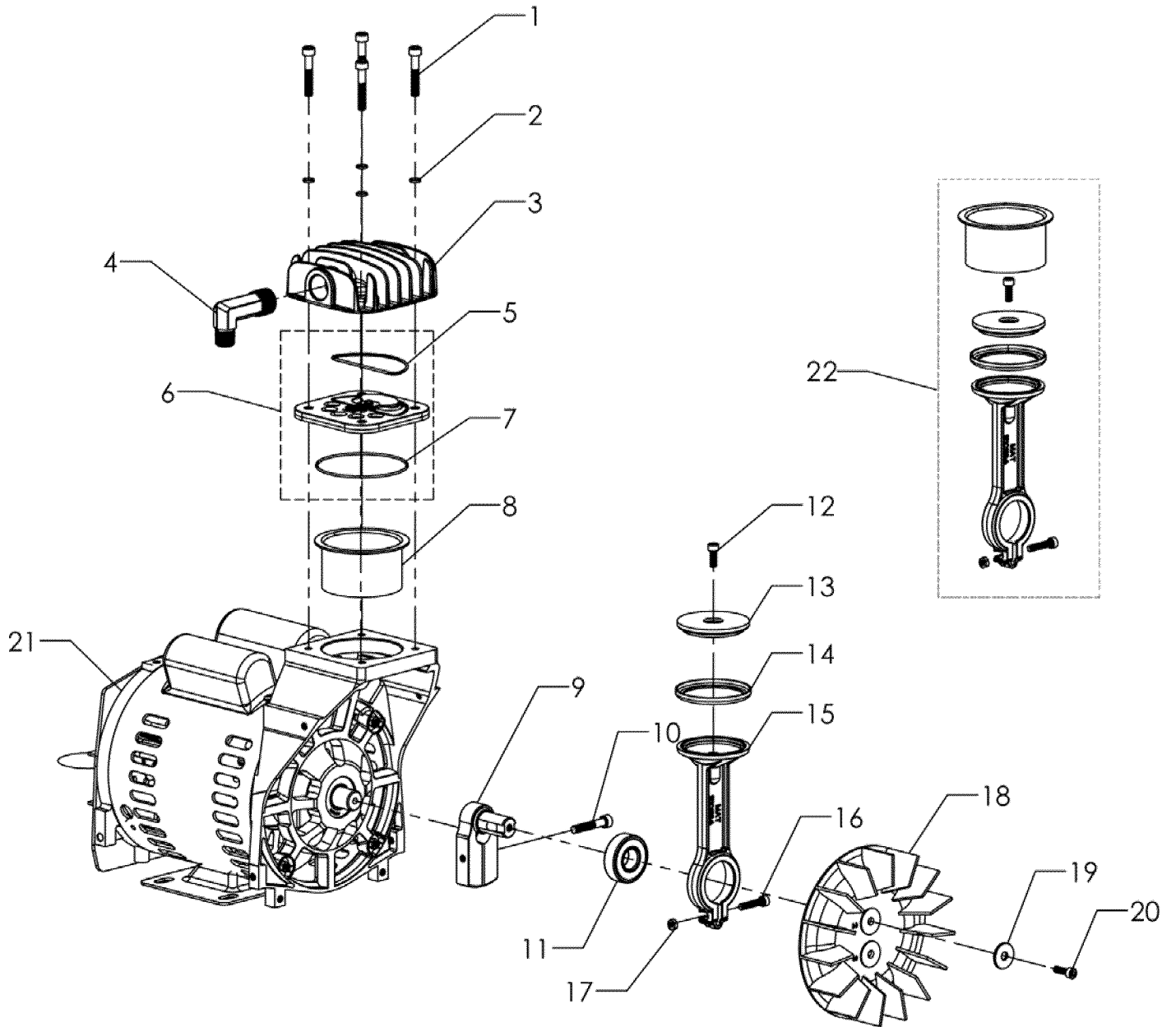
*N/A - These are standard parts available at your local hardware store.

*N/A - Estas son piezas estándar disponibles en su ferretería local.

*N/A - Ces pièces sont des pièces standard disponibles en quincaillerie.

PARTS DRAWING / ESQUEMA DE LAS PIEZAS / DESSIN DES PIÈCES

F3C2 Pump Assy



PARTS LIST / LISTA DE PIEZAS / LISTE DE PIÈCES

F3C2 Pump Assy

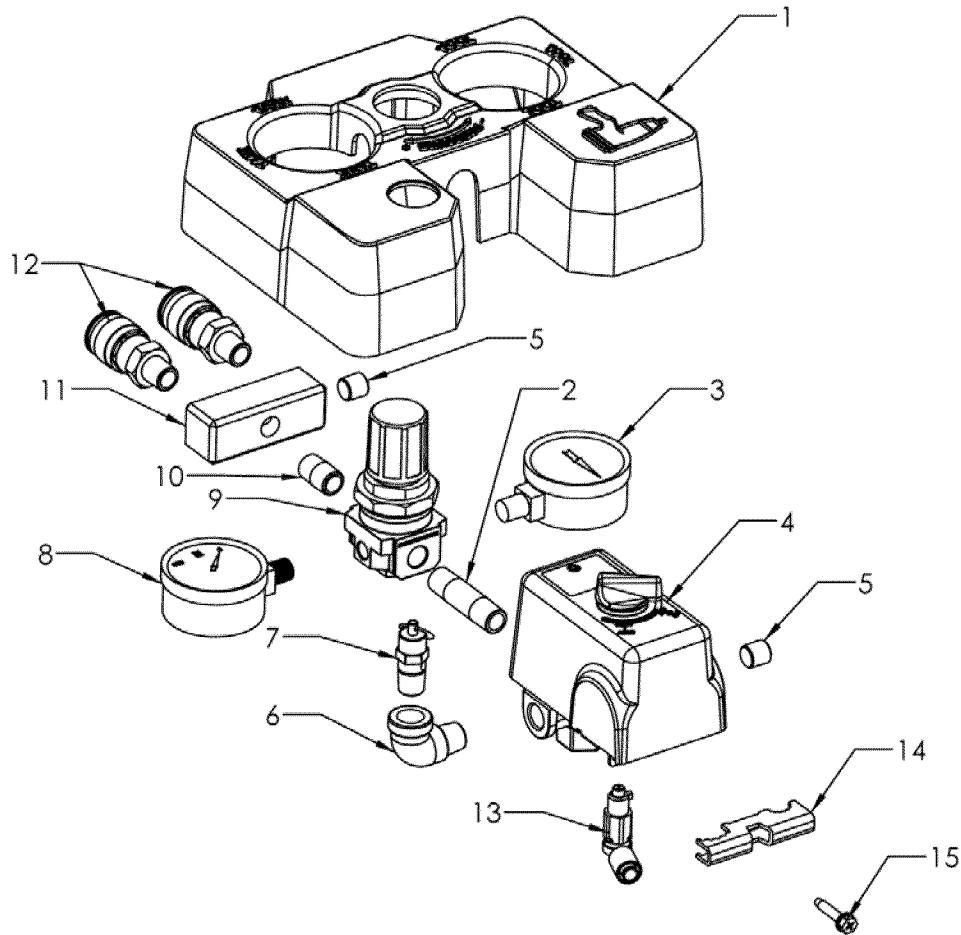
Item Artículo Article	Part No. N° de pieza No / P	Qty Cant. Qté	Description	Descripción	Description
1	061-0231	4	Screw	Tornillo	Vis
2	060-0206	4	Washer	Arandela	Rondelle
3	042-0132	1	Head	Cabezal	Tête
4	064-0117	1	Elbow	Codo	Coude
5	054-0263	1	O-ring, head	Junta tórica	Joint torique
6	043-0223	1	Plate, assy, (includes items 5 & 7)	Conjunto de placa, (incluye los artículos 5 y 7)	Ensemble du plaque, (includ les éléments 5 et 7)
7	054-0264	1	O-ring, cylinder	Junta tórica	Joint torique
8	Order item 22	1	Cylinder	Cilindro	Cylindre
9	053-0115	1	Eccentric (includes items 10 & 11)	Excéntrico (incluye los artículos 10 y 11)	Excentrique (includ les éléments 10 et 11)
10	Order item 9	1	Screw	Tornillo	Vis
11	Order item 9	1	Bearing	Cojinete	Roulement
12	Order item 22	1	Screw	Tornillo	Vis
13	Order item 22	1	Piston cap	Casquillo del pistón	Chapeau de piston
14	Order item 22	1	Piston ring	Aro del pistón	Anneau de piston
15	Order item 22	1	Piston	Pistón	Piston
16	Order item 22	1	Screw	Tornillo	Vis
17	Order item 22	1	Nut	Tuerca	Ecrou
18	027-0052	1	Fan	Ventilador	Ventilateur
19	060-0207	1	Washer, flat	Arandela	Rondelle
20	061-0232	1	Screw	Tornillo	Vis
21	040-0434	1	Motor/Pump Assembly F3C2	Bomba	Ensemble pompe/moteur
21A	166-0187	1	Capacitor, start	Condensador de arranque	Le condensateur de démarrage
21B	166-0188	1	Capacitor, run	Condensador de funcionamiento	Le condensateur de march
21C	166-0189	1	Cover, start capacitor	Tapa, condensador de arranque	Le couvercle de démarrage du condensador
21D	166-0190	1	Cover, run capacitor	Tapa, condensador de funcionamiento	Le couvercle de marche du condensateur
22	048-0132	1	Piston/Cylinder assembly (includes items 8 & 12-17)	Montaje pistón/cilindro (incluye los artículos 8 y 12-17)	Ensemble de piston/tige (includ les éléments 8 et 12-17)

*N/A - These are standard parts available at your local hardware store.

*N/A - Estas son piezas estándar disponibles en su ferretería local.

*N/A - Ces pièces sont des pièces standard disponibles en quincaillerie.

PARTS DRAWING / ESQUEMA DE LAS PIEZAS / DESSIN DES PIÈCES



PARTS LIST / LISTA DE PIEZAS / LISTE DE PIÈCES

Item Artículo Article	Part No. Nº de pieza No / P	Qty Cant. Qté	Description	Descripción	Description
1	142-0236	1	Control panel cover	Cubierta	Couverture
2	065-0004	1	Nipple, 1/4" x 2"	Latiguillo	Manchon fileté
3	032-0118	1	Gauge, 300 PSI 1/8" RH connect	Manómetro	Manomètre
4	034-0228	1	Switch, pressure (includes items 13-15)	Manómetro (incluye los artículos 13-15)	Interrupteur (inclut les éléments 13-15)
5	N/A	2	Plug 1/4"	Enchufe	Prise
6	N/A	1	Elbow, street 1/4"	Codo	Coude
7	136-0073	1	Tank safety valve	Válvula	Soupape
8	032-0119	1	Gauge, 300 PSI 1/8" LH Connect	Manómetro	Manomètre
9	019-0270	1	Regulator	Regulador	Régulateur
10	N/A	1	Nipple, close 1/4-18	Latiguillo	Manchon fileté
11	041-0095	1	Manifold block	Colector	Collecteur
12	036-0031	2	Quick coupler	Acoplador rápido	Raccord rapide
13	136-0090	1	Valve, bleeder	Válvula	Soupape
14	071-0033	1	Strain relief	Alivio de esfuerzo	Soulagement de traction
15	061-0216	1	Screw	Tornillo	Vis

*N/A - These are standard parts available at your local hardware store.
 *N/A - Estas son piezas estándares disponibles en su ferretería local.
 *N/A - Ces pièces sont des pièces standard disponibles en quincaillerie.

ÍNDICE

GARANTÍA	15	INTERVALOS DE SERVICIO	22
CUADRO DE ESPECIFICACIONES	15	CUADRO DE DETECCIÓN DE FALLOS	23
PAUTAS DE SEGURIDAD	16-17	ESQUEMA DE LAS PIEZAS Y LISTA DE PIEZAS	10-14
GLOSARIO DE TÉRMINOS	17		
RESUMEN GENERAL	18		
MONTAJE	18		
CONTROLES DEL COMPRESOR	19		
RESTABLECIMIENTO Y CABLEADO DEL MOTOR	19		
REQUISITOS DE ALIMENTACIÓN ELÉCTRICA	20		
INSTRUCCIONES OPERATIVAS	20-21		
MANTENIMIENTO	21-22		

GARANTÍA

UN AÑO DE GARANTÍA TOTAL DE CRAFTSMAN

DURANTE UN AÑO desde la fecha de compra, este producto tiene garantía contra defectos en los materiales o en la fabricación. Los productos defectuosos se repararán gratuitamente o se reemplazarán sin coste si la reparación no es posible.

Para conocer los detalles de cobertura de la garantía con el fin de obtener una reparación o un reemplazo, visite el sitio web www.craftsman.com.

Esta garantía no cubre el filtro de aire ni la correa de transmisión, que son piezas que con un uso normal se pueden gastar durante el periodo de garantía.

Esta garantía no es válida si el producto se utiliza para proporcionar servicios comerciales o si se alquila a un tercero.

Esta garantía le proporciona derechos legales específicos y es posible que además tenga otros derechos, dependiendo del país o el estado.

Sears Brands Management Corporation, Hoffman Estates, IL 60179 EE. UU.

CUADRO DE ESPECIFICACIONES

MODELO	RUNNING H.P. (CV)	CAPACIDAD DEL DEPÓSITO - LITROS	VOLTAJE AMP/FASE	PRESIÓN DE ENCENDIDO (APROXIMADA)	PRESIÓN DE APAGADO (APROXIMADA)
921.16473 (WPB1683321)	1.6	33 (124,92 Liters)	115/15/1	120 (8,27 bar)	150 (10,34 bar)

PAUTAS DE SEGURIDAD

La información que sigue se refiere a la protección de SU SEGURIDAD y la PREVENCIÓN DE PROBLEMAS DEL EQUIPO. Como ayuda para reconocer esta información, usamos los siguientes símbolos. Lea por favor el manual y preste atención a estas secciones.

⚠ PELIGRO: - RIESGO POTENCIAL DE LESIONES GRAVES O LA PÉRDIDA DE VIDA.

⚠ ADVERTENCIA: - RIESGO POTENCIAL DE LESIONES GRAVES O PÉRDIDA DE LA VIDA.

⚠ PRECAUCIÓN: - RIESGO POTENCIAL DE LESIONES LEVES O DAÑOS EN EL EQUIPO.







INSTRUCCIONES DE SEGURIDAD IMPORTANTES

⚠ ADVERTENCIA:

<p>RIESGO DE INCENDIO O EXPLOSIÓN.</p> 	<p>Nunca rocíe líquidos inflamables dentro de un área cerrada. Durante el funcionamiento, es normal que se produzcan chispas tanto en el motor como en el interruptor de presión. Si las chispas entran en contacto con vapores de gasolina u otros disolventes, se podría producir un incendio o una explosión. Utilice siempre el compresor en un área bien ventilada. No fume mientras rocía. No rocíe donde pueda haber chispas o llamas. Mantenga el compresor tan alejado como sea posible del área donde vaya a utilizar el pulverizador. Almacene los materiales inflamables en un lugar seguro y alejado del compresor. Tenga un extintor en el área de operaciones.</p>
<p>RIESGO DE EXPLOSIÓN.</p> 	<p>No realice soldaduras al depósito de aire de este compresor, ni le practique agujeros, ni lo modifique. Realizar soldaduras o modificaciones al depósito de aire del compresor puede afectar a su resistencia estructural y crear condiciones extremadamente peligrosas. Realizar soldaduras o modificaciones al depósito de aire invalidará la garantía. Si detecta un escape en el depósito, reemplácelo inmediatamente con un nuevo depósito o reemplace todo el compresor.</p>
<p>RIESGO DE DESCARGA ELÉCTRICA.</p> 	<p>Nunca utilice un compresor eléctrico de aire en el exterior cuando esté lloviendo o sobre una superficie mojada, ya que se podría producir una descarga eléctrica. Si no se proporciona una toma a tierra adecuada a este producto, se podrían producir lesiones graves o muerte por electrocución. Asegúrese de que el circuito eléctrico al que se conecte este compresor tenga una adecuada toma a tierra, un voltaje correcto y una protección con fusibles satisfactoria.</p>
<p>RIESGO DE LESIONES.</p> 	<p>Esta unidad se enciende automáticamente. SIEMPRE apague el compresor, desconéctelo y purgue toda la presión del sistema antes de reparar el compresor y también cuando el compresor no se esté utilizando. No utilice la unidad si se le han retirado las cubiertas o el protector de la correa. Existe riesgo de lesión grave por contacto con partes móviles. Cuando utilice el compresor, esté alerta y atento a lo que hace. No utilice el compresor si está cansado o bajo la influencia de medicamentos o alcohol.</p>
<p>RIESGO DE EXPLOSIÓN.</p> 	<p>Compruebe la máxima presión permitida por los fabricantes de herramientas y accesorios. Se debe regular la salida de presión del compresor para que no se exceda la máxima presión permitida por la herramienta o accesorio. Purgue todo el aire antes de retirar o ajustar los accesorios. Nunca utilice el compresor para inflar objetos pequeños de baja presión como juguetes, balones, pelotas, etcétera.</p>
<p>RIESGO DE QUEMADURAS.</p> 	<p>La bomba y el colector pueden alcanzar altas temperaturas. Para evitar quemaduras u otras lesiones, NO toque la bomba, el colector ni la manguera de transferencia mientras la bomba esté en funcionamiento. Espere a que se enfríen antes de manipularlos o repararlos. No deje que los niños se acerquen al compresor en ningún momento. No intente acceder a la parte posterior de las cubiertas protectoras ni reparar la unidad hasta que esta se haya enfriado.</p>
<p>RIESGO Y PELIGRO DE INHALACIÓN.</p> 	<p>Quando utilice herramientas que generen polvo, use siempre máscaras o respiradores ajustados y aprobados por la Administración de Minas, Seguridad y Salud (Mine Safety and Health Administration, MSHA) o el Instituto Nacional para la Seguridad y Salud Ocupacional (National Institute for Occupational Safety and Health, NIOSH) de los EE. UU., y trabaje en áreas bien ventiladas. El polvo que se genera al lijar, triturar, perforar o al realizar otras actividades de construcción puede contener productos químicos que, según el estado de California, causan cáncer, malformaciones de nacimiento u otros daños al sistema reproductor. Algunos ejemplos de estos productos químicos son:</p> <ul style="list-style-type: none"> •Plomo procedente de pinturas con plomo •Sílice cristalina procedente de ladrillos, cemento y otros productos de albañilería •Arsénico y cromo procedentes de madera tratada con productos químicos
<p>RIESGO PARA LA RESPIRACIÓN.</p> 	<p>Asegúrese de leer todas las etiquetas cuando esté pulverizando pintura o materiales tóxicos, y siga todas las instrucciones de seguridad que se proporcionen en la etiqueta o las hojas de seguridad de los materiales que esté utilizando. Utilice máscaras de respiración aprobadas por la MSHA/el NIOSH si existe riesgo de inhalación de vahos de la sustancia que esté pulverizando. Lea todas las instrucciones y asegúrese de que la máscara de respiración le proteja. Trabaje en áreas con buena ventilación.</p>
<p>RIESGO DE LESIONES OCULARES.</p> 	<p>Utilice siempre gafas protectoras que cumplan la norma ANSI Z87.1 cuando utilice un compresor de aire. No apunte nunca con un difusor o pulverizador a una persona o a un animal ni a ninguna parte del cuerpo. Si la sustancia pulverizada penetra en la piel se pueden producir lesiones graves.</p>

INSTRUCCIONES DE SEGURIDAD IMPORTANTES

⚠️ ADVERTENCIA:

RIESGO DE EXPLOSIÓN. 	<ul style="list-style-type: none"> • Nunca intente, por ningún motivo, ajustar la válvula de seguridad del depósito. Hacerlo anulará la garantía. La válvula de seguridad ha sido preconfigurada en fábrica a la presión máxima que soporta esta unidad. Si se manipula la válvula de seguridad, existe el riesgo de que se produzcan lesiones personales o daños materiales. • No utilice mangueras de plástico o pvc para aire comprimido. Use solo mangueras y conectores de acero galvanizado para líneas de distribución de aire comprimido.
RIESGO DE INCENDIO 	<p>Dejar el compresor en funcionamiento sin vigilancia puede causar lesiones personales o daños materiales. Para reducir el riesgo de incendio, no permita que el compresor funcione sin vigilancia. Después de cada uso, desconecte siempre la corriente eléctrica colocando el interruptor en la posición OFF y purgue todo el aire del depósito.</p>
RIESGO PARA LA RESPIRACIÓN. 	<p>El aire obtenido directamente del compresor no se debe utilizar nunca como suministro para consumo humano. El flujo de aire puede contener monóxido de carbono, vapores tóxicos o partículas sólidas del depósito. Respirar este aire puede causar lesiones graves o la muerte. Si se desea utilizar el aire producido por el compresor para respirar, deben instalarse filtros adecuados y equipos de seguridad en línea. Se deben instalar adecuadamente los filtros y equipos de seguridad en línea. Los filtros y equipos de seguridad en línea utilizados junto con el compresor deben ser capaces de tratar el aire para que cumpla con los códigos locales y nacionales pertinentes antes de que sea usado para consumo humano.</p>
RIESGO DE LESIONES. 	<p>Para su utilización, sitúe siempre el compresor en una posición segura y estable a fin de prevenir movimientos accidentales de la unidad. Nunca utilice el compresor encima de una mesa, un banco de trabajo, un tejado u otra posición elevada. Si necesita alcanzar lugares altos, utilice una manguera de aire adicional.</p>
RIESGO PARA EL OÍDO. 	<p>Utilice siempre protectores auditivos cuando trabaje con un compresor de aire. Si no lo hace, podría sufrir pérdida de audición.</p>
	<p>El cable de alimentación de este producto contiene plomo, elemento químico que según el Estado de California puede producir cáncer y deformaciones congénitas u otros problemas de reproducción. Lávese las manos después de utilizarlo.</p>
NOTA: CABLEADO ELECTRICO.	<p>Consulte el rótulo del número de serie del compresor de aire para conocer los requerimientos de voltaje y amperaje de la unidad. Cerciórese de que un electricista cualificado instala todo el cableado, de conformidad con el Código Eléctrico Nacional.</p>

⚠️ PRECAUCIÓN:

<p>Elimine la humedad del depósito todos los días. Un depósito limpio y seco ayudará a evitar la corrosión.</p>
<p>Tire de la anilla de la válvula de seguridad del depósito todos los días para asegurarse de que la válvula funciona adecuadamente, y para limpiar la válvula de cualquier obstrucción que pueda tener.</p>
<p>Para que la unidad disponga de ventilación suficiente para enfriarse, se debe mantener el compresor en un área bien ventilada a un mínimo de 31 cm de la pared más cercana. Obstruir cualquiera de las aberturas del compresor causará un sobrecalentamiento y podría originar un incendio; no apoye ningún objeto contra el compresor ni encima de él.</p>
<p>Sujete el compresor muy bien si es necesario su transporte. Debe liberarse la presión del depósito antes de su transporte.</p>
<p>Proteja la manguera de aire y el conducto eléctrico contra daños y pinchazos. Inspecciónelos todas las semanas para comprobar que no existen zonas débiles o desgastadas, y reemplácelos si fuera necesario.</p>
<p>Para reducir el riesgo de choque eléctrico, proteja la unidad de la lluvia. Almacene en el interior.</p>
<p>No utilice el compresor si el cable de alimentación o el enchufe presentan daños. Disponga la reparación de la unidad en Sears o en otro centro cualificado.</p>

GLOSARIO DE TÉRMINOS

l/min: Litros por minuto; una unidad de la medida de flujo de aire.

Bar: Es una unidad de medida de la presión del aire.

Presión de encendido: Cuando el motor está apagado, la presión de aire del depósito va bajando a medida que usted continúa utilizando su accesorio. Cuando la presión del depósito baje hasta un nivel mínimo establecido en fábrica, el motor se reiniciará automáticamente. Esta presión mínima que hará que el motor se inicie automáticamente se llama "presión de encendido" ("cut-in pressure").

Presión de apagado: Cuando se enciende un compresor de aire y este empieza a funcionar, la presión en el depósito de aire

comienza a subir. Cuando alcanza el nivel máximo establecido en fábrica, el motor se apaga automáticamente, protegiendo el depósito de aire de presiones más elevadas de las que puede soportar. Esta presión máxima que hará que el motor se apague automáticamente se llama "presión de apagado" ("cut-out pressure").

Bien ventilado: Significa proveer aire fresco para contrarrestar el escape de gases o los vapores peligrosos.

Circuito dedicado: Un circuito eléctrico reservado para uso exclusivo del compresor de aire.

RESUMEN GENERAL

COMPONENTES BÁSICOS DEL COMPRESOR DE AIRE

Los compresores de aire sin aceite se lubrican en fábrica para toda su vida útil, y no requieren aceite.

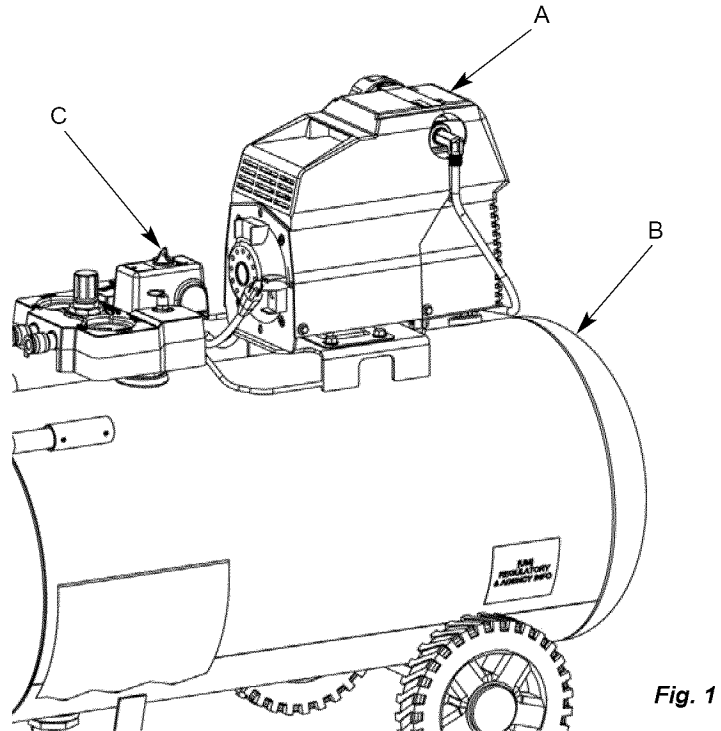
Los componentes básicos del compresor de aire son el motor eléctrico, la bomba, el interruptor de presión y el depósito (Fig. 1).

El **motor eléctrico** (vea **A**) acciona la bomba. El motor eléctrico está equipado con un **protector contra sobrecarga** para ayudar a evitar que pueda quemarse. Si el motor llegara a sobrecalentarse, el protector contra sobrecarga lo apagará. En caso de ocurrir esto, permita que el motor se enfríe durante 10 a 15 minutos y luego presione (nunca fuerce) el interruptor de restablecimiento del motor para volver a arrancar el motor.

La bomba (vea **A**) comprime el aire y lo descarga hacia el depósito.

El depósito (vea **B**) almacena el aire comprimido.

El interruptor de presión (vea **C**) apaga el motor cuando el depósito alcanza la presión establecida como "presión de apagado". A medida que se va utilizando el aire comprimido y la presión en el depósito baja hasta alcanzar la "presión de encendido", el interruptor reinicia el motor automáticamente y la bomba vuelve a comprimir el aire.



MONTAJE

MONTAJE DEL COMPRESOR

1. Desembale el compresor de aire. Inspeccione la unidad para verificar que no sufrió daños. Si la unidad ha sido dañada durante el transporte, comuníquese con la empresa transportadora y complete una reclamación por daños. Haga esto de inmediato porque existen limitaciones de tiempo respecto a las reclamaciones por daños.

La caja debe contener los elementos siguientes:

- compresor de aire
- Manual de componentes/usuario

2. Verifique el rótulo del número de serie del compresor para asegurarse de que haya recibido el modelo que pidió y que el mismo tenga la presión nominal requerida para el uso deseado.
3. Para compresores horizontales solamente, instale el mango aflojando los tornillos fijos (D) y situando los extremos del mango (E) en los soportes para el mango (F) y asegúrelo con los tornillos fijos (D) (ver Figura 2). Apriete los tornillos con una llave hexagonal de 3 mm (no incluida).

3. Ubique el compresor de acuerdo con las pautas siguientes:

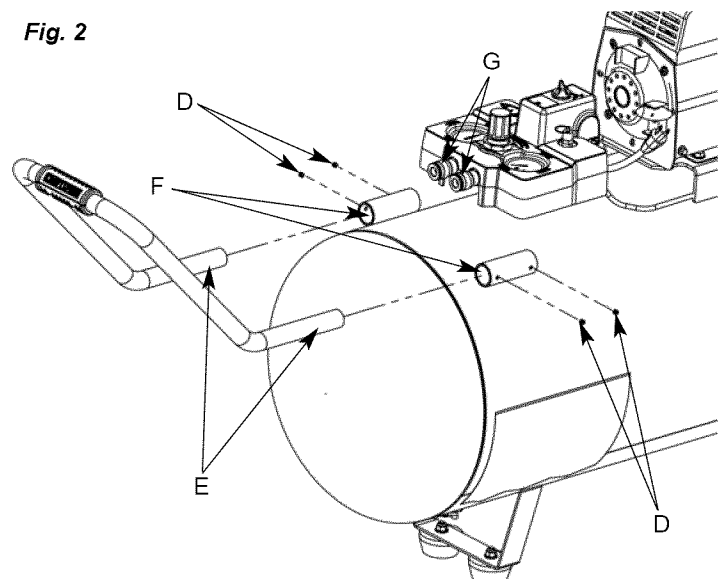
- a. Ubique el compresor cerca de una toma de corriente eléctrica conectada a tierra (consulte INSTRUCCIONES DE PUESTA A TIERRA). **Evite el uso de cables prolongadores;** es preferible usar una manguera de aire más larga.
- b. La parte de la bomba del compresor debe estar al menos a 31 cm (12 pulgadas) de cualquier pared u

obstrucción, en una zona limpia y bien ventilada, para garantizar la circulación del aire y su refrigeración.

- c. En climas fríos, almacene el compresor portátil en un edificio con calefacción. Esto reducirá problemas de lubricación, arranque del motor y congelamiento del agua de condensación.
- d. El compresor debe estar nivelado para garantizar el drenaje de la humedad del depósito.

4. Conecte una manguera de aire (no incluida) a la(s) salida(s) del colector (G).

Fig. 2



CONTROLES DEL COMPRESOR

Interruptor de presión (vea A)

Este interruptor enciende el compresor. Se opera manualmente, pero cuando está en la posición ON, permite que el compresor arranque o se pare automáticamente, sin aviso, según la demanda de aire. Coloque SIEMPRE este interruptor en la posición OFF cuando el compresor no esté en uso y antes de desconectarlo.

Válvula de seguridad del depósito (ver B)

Se usa para permitir aliviar la presión del depósito de aire. Si el interruptor de presión no apaga el compresor cuando se alcanza el nivel establecido de "presión de apagado", la válvula de seguridad protegerá el depósito aliviando la presión del mismo cuando se sobrepase la presión máxima establecida en fábrica (ligeramente superior a la "presión de apagado" del interruptor). Para utilizar manualmente, tire de la anilla de la válvula para purgar el aire del depósito.

Válvula para purgar o aliviar la presión (ver C)

La válvula para aliviar la presión (situada debajo del interruptor de presión) está diseñada para liberar aire comprimido de la cabeza del compresor y la manguera de salida cuando el compresor alcanza la "presión de apagado" o cuando se apaga manualmente. La válvula de seguridad permite al motor reiniciarse libremente. Cuando el motor deje de funcionar, se oirá durante unos segundos cómo se escapa el aire por esta válvula. No se debe escuchar cómo se escapa el aire cuando el motor está en funcionamiento, ni tampoco una vez transcurridos unos segundos después de alcanzar la "presión de apagado".

Manómetro del depósito (vea D)

Este manómetro mide la presión del aire almacenado en el depósito. No es ajustable por el operador y no indica la presión de la línea.

Regulador de presión de aire (vea E)

El regulador de presión de aire permite ajustar la presión en la línea que conecta la herramienta que se está usando.

! ADVERTENCIA: No exceda nunca la presión de trabajo máxima de la herramienta.

Para ajustar el nivel de presión, estire la perilla y gire en el sentido de las agujas del reloj para aumentar la presión, y en sentido contrario a las agujas del reloj para disminuir la presión. Para bloquear un nivel de presión, vuelva a introducir la perilla.

Manómetro regulado (vea F)

Este manómetro mide la presión de línea regulada.

Conector(es) de acomplamiento rápido (ver G)

Un sistema rápido para sujetar y soltar la manguera del aire.

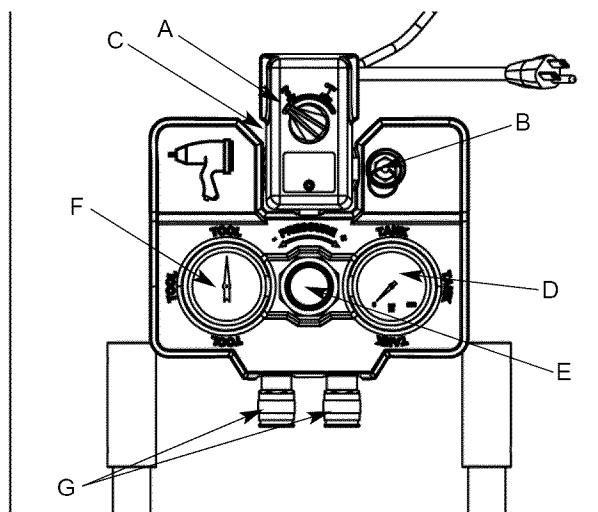


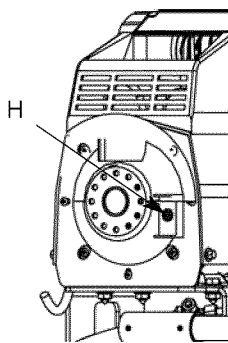
Fig. 3

REQUISITOS Y CABLEADO DEL MOTOR

INTERRUPTOR DE RESTABLECIMIENTO DEL MOTOR

! ADVERTENCIA: Asegúrese de que todos los protectores y cubiertas estén colocados en su lugar antes de presionar el interruptor de restablecimiento para volver a arrancar el motor.

Si el motor se apaga debido a una sobrecarga, espere entre 10 y 15 minutos para que el motor pueda enfriarse y luego presione (NUNCA fuerce) el interruptor de restablecimiento (vea H) para volver a arrancar el motor.



CABLEADO ELÉCTRICO

Consulte el rótulo del número de serie del compresor de aire para ver los requisitos de voltaje y amperaje de la unidad.

Use un circuito dedicado.

Para el mejor rendimiento y un arranque fiable, el compresor de aire debe conectarse en un circuito dedicado, tan cerca como sea posible de la caja de fusibles o del disyuntor. El compresor utilizará la capacidad máxima de un circuito de 15 amperios doméstico. Si hay otros equipos eléctricos que estén consumiendo energía del circuito al cual está conectado el compresor, es posible que éste no arranque. Un voltaje bajo o un circuito sobrecargado puede resultar en un arranque lento que provocará el disparo del sistema de protección de sobrecarga o del disyuntor, especialmente en condiciones de baja temperatura.

NOTA: Para proteger la unidad de la carga eléctrica inicial que se produce al encender el compresor de aire, se recomienda utilizar un disyuntor. Si el compresor de aire está conectado a un circuito protegido por un fusible, utilice un fusible temporizado de elemento doble (Buss Fusetron tipo "T" solamente).

REQUISITOS DE ALIMENTACION ELECTRICA

CABLES PROLONGADORES

NOTA: Evite el uso de cables prolongadores.

Para obtener un rendimiento óptimo, enchufe el cable eléctrico del compresor directamente a un enchufe de la pared conectado a tierra. No use un cable prolongador a menos que sea absolutamente necesario.


Como alternativa, intente utilizar una manguera de aire más larga para llegar a la zona donde se requiere aire. El cable no debe tener una longitud mayor que 9.1 m (50 pies) y un hilo con calibre mínimo de 12 (AWG). No use prolongadores de calibre 14 ni 16.

Use solamente un cable de 3 hilos que tenga un enchufe de 3 terminales planos y un receptáculo de 3 ranuras que permita conectar el producto. Asegúrese de que su cable prolongador esté en buenas condiciones. Un cable demasiado pequeño provocará una caída en el voltaje de la línea, causando una pérdida en la energía y un sobrecalentamiento. Cuanto más pequeño sea el número de calibre, más pesado será el cable.

INSTRUCCIONES DE CONEXIÓN A TIERRA

Este producto debe conectarse a tierra. En el caso de cortocircuito eléctrico, la conexión a tierra reduce el riesgo de descarga eléctrica, pues ofrece un escape para la corriente eléctrica.

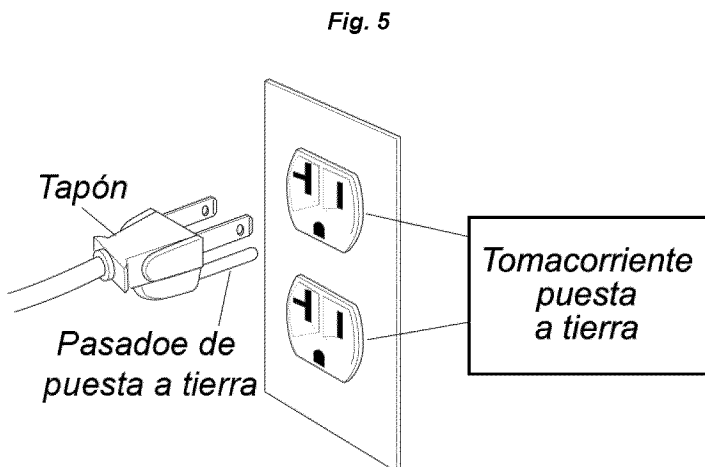
Este producto está equipado con un cable que tiene un alambre de conexión a tierra con su enchufe correspondiente. El enchufe debe conectarse a una toma de corriente que esté bien instalada y conectada a tierra de acuerdo con todos los códigos y ordenanzas locales.

 **PELIGRO:** La instalación incorrecta del enchufe de conexión a tierra puede causar un riesgo de descarga eléctrica. Si es necesario reparar o reemplazar el cable eléctrico o el enchufe, no conecte el cable de tierra a ninguno de los terminales planos del enchufe. El hilo de conexión a tierra tiene aislamiento de color verde con rayas amarillas o sin ellas.

Este producto está diseñado para utilizarse en un circuito de 115 V. Se deberá usar un enchufe con un terminal conectado a tierra, tal como el mostrado aquí.

Asegúrese de que el producto esté conectado a una toma de corriente que tenga la misma configuración que el enchufe (Fig. 5). No debe usarse ningún adaptador con este producto.


Consulte a un electricista cualificado si no comprende completamente las instrucciones de conexión a tierra, o si tiene dudas con respecto a si el producto está correctamente conectado a tierra. No modifique el enchufe provisto; si no encaja en la toma de corriente, haga que un electricista cualificado instale una toma adecuada.



INSTRUCCIONES OPERATIVAS


ARRANQUE DIARIO

1. Coloque el interruptor de presión en la posición de apagado OFF (vea C).
2. Cierre la válvula de drenaje del depósito (vea E). Hágala girar hacia la derecha.
3. Enchufe el cable de alimentación.

 **ADVERTENCIA:** El motor eléctrico y la bomba generan altas temperaturas. Para evitar quemaduras y otras lesiones, NO toque el compresor durante su funcionamiento. Permita que se enfríe antes de manipular o realizar cualquier operación de mantenimiento. Mantenga a los niños alejados del compresor en todo momento.

4. Coloque el conmutador de presión en la posición AUTO (vea D).
5. Ajuste el regulador en la presión de trabajo de la herramienta.

NOTA: Para ajustar el nivel de presión, estire la perilla y gire en el sentido de las agujas del reloj para aumentar la presión, y en sentido contrario a las agujas del reloj para disminuir la presión. Para bloquear un nivel de presión, vuelva a introducir la perilla.

 **ADVERTENCIA:** Al efectuar un ajuste desde una presión más alta a una más baja, gire el mando hacia la izquierda hasta que sobrepase el punto deseado y después gire hacia la derecha hasta alcanzar la presión deseada. No exceda la presión de funcionamiento de la herramienta o del accesorio que esté usando.

INSTRUCCIONES OPERATIVAS

PARADA

1. Coloque el conmutador de presión en la posición de apagado OFF (vea C).
2. Desenchufe el cable de alimentación.
3. Reduzca la presión del depósito a través de la manguera de salida. También puede tirar de la anilla de la válvula de seguridad (ver G) y mantenerla abierta para aliviar la presión del depósito.
4. Abra la válvula de drenaje (vea E) para permitir que la humedad salga del depósito.

⚠ PRECAUCIÓN: El aire y la humedad que escapan del depósito pueden hacer salir desechos susceptibles de provocarle daños en los ojos. Al abrir la válvula de drenaje, use gafas de seguridad.

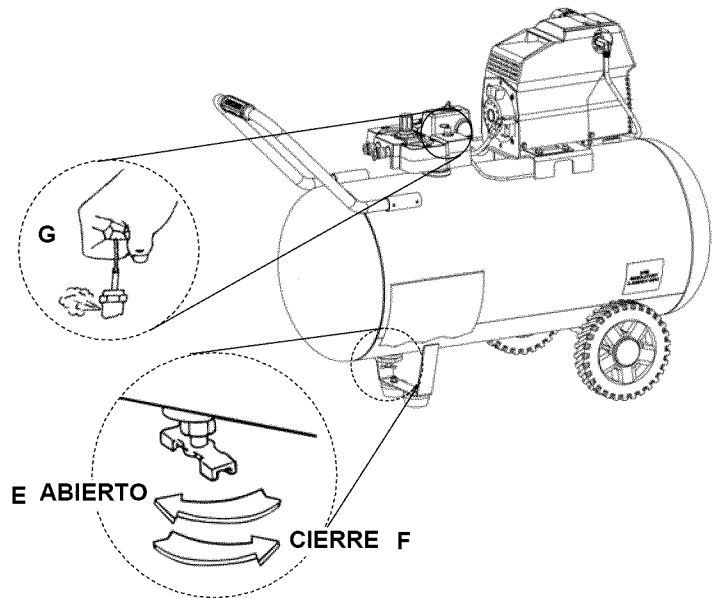
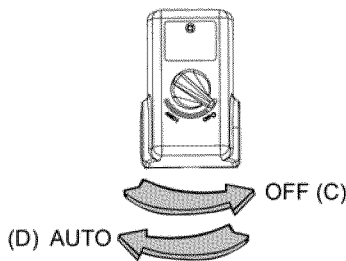


Fig. 6

MANTENIMIENTO

MANTENIMIENTO

⚠ ADVERTENCIA: Para evitar lesiones personales, apague y desenchufe siempre el compresor y alivie toda la presión de aire del sistema antes de realizar cualquier operación de mantenimiento en el compresor de aire.

El mantenimiento regular asegurará una operación sin problemas. Su compresor de aire con alimentación eléctrica representa lo alta en ingeniería y construcción; sin embargo, incluso la maquinaria de mejor calidad requiere un mantenimiento periódico. Los elementos enumerados a continuación deben inspeccionarse de manera regular.

VACIADO DEL DEPÓSITO

Vacíe la humedad presente en el depósito (para conocer las instrucciones, consulte "Parada" en la sección de instrucciones de funcionamiento).

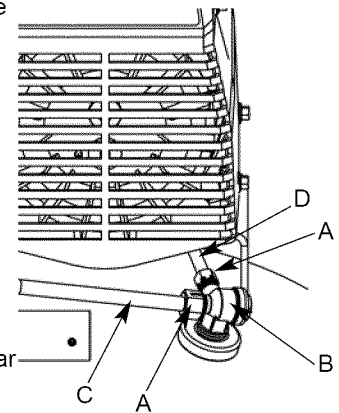
⚠ ADVERTENCIA: La condensación se acumulará en el depósito. Para prevenir la corrosión en el interior del depósito, se debe eliminar la humedad al final de cada día de trabajo. Use protección ocular.

PARA SUSTITUIR O LIMPIAR LA VÁLVULA DE RETENCIÓN

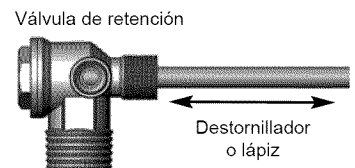
⚠ ADVERTENCIA: Esta unidad arranca automáticamente. SIEMPRE apague el compresor, quite el enchufe de la toma de corriente, y purgue toda la presión del sistema antes de realizar operaciones de mantenimiento en el compresor y cuando el compresor no esté en uso. No utilice la unidad sin las cubiertas o sin el protector de la

correa, ya que podría sufrir lesiones por contacto con las piezas móviles.

1. Apague el compresor de aire, quite el cable eléctrico del enchufe o cierre fuente de alimentación y libere toda la presión del aire del depósito (consulte "Parada" en la sección de instrucciones de funcionamiento). Cerciórese de que el compresor se ha enfriado antes de realizar operaciones de mantenimiento.



2. Con una llave del tamaño adecuado, afloje las tuercas de compresión (A) en la válvula de retención (B). Con cuidado retire la manguera de transferencia (C) y la manguera de purga (D).
3. Tomando nota de la orientación para poder recomponerla luego, desenrosque la válvula de retención del depósito (en sentido contrario a las agujas del reloj) utilizando una llave del tamaño adecuado.
4. Con un lápiz o destornillador, empuje con cuidado el disco de la válvula hacia arriba y hacia abajo. Si el disco de la válvula no se mueve libremente hacia arriba y hacia abajo, es necesario limpiar o cambiar la válvula de retención.



MANTENIMIENTO

5. Limpie la válvula de retención con agua jabonosa templada y asegúrese de secarla bien antes de volver a instalarla. Si el disco de la válvula todavía no se mueve libremente hacia arriba y hacia abajo, necesitará cambiarla.
6. Aplique sellador de rosca a la rosca de la válvula de retención y vuelva a instalarla en el depósito enroscándola en el sentido de las agujas del reloj. Asegúrese de que tiene la misma orientación que tenía antes de retirarla.
7. Vuelva a colocar la manguera de purga y apriete la tuerca de compresión.
8. Vuelva a colocar la manguera de transferencia y apriete las tuercas de compresión.

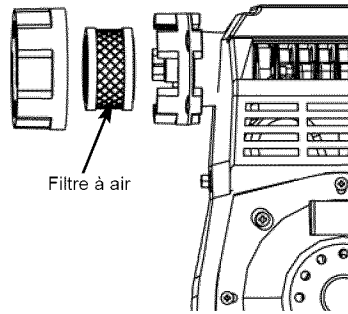
transferencia o tubería reducirá de manera substancial el rendimiento de su compresor de aire. Si sospecha la existencia de una fuga, rocíe una pequeña cantidad de agua jabonosa alrededor de la zona con un pulverizador. Si aparecen burbujas, selle y ajuste nuevamente la conexión. No ajuste en exceso.

ALMACENAMIENTO

Antes de almacenar el compresor durante períodos prolongados, use una pistola de aire para limpiar todo el polvo y suciedad del compresor. Desconecte el cable eléctrico, enrollándolo. Tire de la válvula de seguridad para purgar todo el aire del depósito. Elimine toda la humedad del depósito. Limpie los elementos y el alojamiento del filtro; reemplácelos si fuera necesario. Drene el aceite del cárter de la bomba y reemplácelo con aceite nuevo. Cubra toda la unidad para protegerla de la humedad y del polvo.

LIMPIEZA DEL FILTRO DE AIRE

Un filtro de aire sucio reducirá el rendimiento y la vida útil del compresor. Para evitar cualquier contaminación interna de la bomba del compresor, el filtro debe limpiarse frecuentemente y reemplazarse de manera regular. Los filtros de fieltro deben limpiarse en agua jabonosa tibia. Los filtros de papel deberán sustituirse cuando estén sucios. No permita que los filtros se llenen de suciedad ni pintura. Si el filtro se llena de pintura, deberá reemplazarse. La exposición directa a condiciones de suciedad y zonas en las que estén pintando anulará su garantía.



REVISIÓN DE LA VÁLVULA DE DESCARGA

Tire de la válvula de seguridad del depósito todos los días para asegurarse de que la válvula funciona adecuadamente, y para limpiar la válvula de cualquier obstrucción que pueda tener.

DETECCIÓN DE FUGAS

Compruebe que todas las conexiones estén ajustadas. Una pequeña fuga en cualquiera de las mangueras, tubos de

INTERVALOS DE SERVICIO

Realice el mantenimiento siguiente a los intervalos indicados a continuación.	Todos los días o después de cada uso
Revise el filtro de aire (límpielo o cámbielo según sea necesario)	Cuando se utilice en lugares con concentración de polvo
Compruebe el funcionamiento de la válvula de seguridad del depósito	•
Drenaje del depósito	•

CUADRO DE DETECCIÓN DE FALLOS

Nota: Los problemas de detección de fallos pueden tener causas y soluciones similares.

PROBLEMA	CAUSA POSIBLE	SOLUCIÓN
Presión baja o insuficiente cantidad de aire, o bien el compresor no se detiene	El grifo de descompresión del depósito está abierto	Cierre el grifo de descompresión.
	Los conectores tienen fugas	Revise los conectores con agua jabonosa. Apriete o vuelva a sellar los conectores que tengan fugas. NO LOS APRIETE EN EXCESO.
	Toma restringida de aire	Limpie o reemplace el elemento del filtro del producto.
	Uso excesivo y prolongado de aire	Disminuya la cantidad de aire usada.
	El compresor no es suficientemente grande	Verifique el requerimiento de aire del accesorio. Si es mayor que el volumen por minuto (CFM) y la presión suministrados por el compresor, necesita un compresor más grande. La mayoría de los accesorios están clasificados para un ciclo de trabajo del 25%.
	Hay un orificio en la manguera de aire	Revísela y reemplácela si es necesario.
	Fugas en el depósito	ADVERTENCIA Reemplace inmediatamente el depósito. NO intente repararlo.
	Sellos expulsados	Póngase en contacto con Sears o con otro centro de servicio cualificado.
	Fugas en la válvula	Póngase en contacto con Sears o con otro centro de servicio cualificado.
Pistón con fugas o desgastado	Póngase en contacto con Sears o con otro centro de servicio cualificado.	
Fugas de aire del regulador, o el regulador no regula la presión	Piezas internas del regulador sucias o dañadas	Póngase en contacto con Sears o con otro centro de servicio cualificado.
La lectura del manómetro regulado disminuye cuando se está usando el accesorio de aire	Es normal	Si la presión disminuye demasiado, ajuste el regulador mientras use el accesorio.
	El compresor no es suficientemente grande	Verifique el requerimiento de aire del accesorio. Si es mayor que el volumen por minuto (CFM) y la presión suministrados por el compresor, necesita un compresor más grande. La mayoría de los accesorios están clasificados para un ciclo de trabajo del 25%.
La válvula de seguridad de presión se abre	La presión del depósito excedió la presión normal de operación	Póngase en contacto con Sears o con otro centro de servicio cualificado.
	El interruptor de presión se atascó	Póngase en contacto con Sears o con otro centro de servicio cualificado.
El motor no funciona	La presión del depósito excede el límite prefijado del interruptor de presión	El motor arrancará automáticamente cuando la presión del depósito disminuya hasta un valor menor a la presión de activación del interruptor de presión.
	El protector de sobrecargas del motor se disparó	Deje que el motor se enfríe, y el interruptor de sobrecargas se restablecerá automáticamente. Esto puede tardar varios minutos.
	Fusible fundido o disyuntor disparado	• Reemplace el fusible fundido o reajuste el disyuntor. No use fusibles ni disyuntores de clasificación mayor que la especificada para su circuito de derivación.
		• Verifique que el fusible sea adecuado. El fusible "Fusetron" tipo T es aceptable.
		• Verifique que el voltaje no sea bajo y que el tamaño del cable de extensión sea adecuado.
		• Desconecte otros dispositivos del circuito. Opere el compresor en un circuito dedicado.
	Válvula de retención sucia o defectuosa	Limpie o cambie la válvula de retención (ver "Para cambiar o limpiar la válvula de retención" en la sección de Mantenimiento).
	Alambre de calibre inadecuado en el cable o longitud excesiva del cable de extensión	Verifique que el calibre y la longitud del cable de extensión sean adecuados.
	Conexiones eléctricas sueltas	Póngase en contacto con Sears o con otro centro de servicio cualificado.
Pintura de pistola en las piezas internas del motor	Póngase en contacto con Sears o con otro centro de servicio cualificado. No opere el compresor en un área donde se pinte con pistola.	
Posiblemente el motor está defectuoso	Póngase en contacto con Sears o con otro centro de servicio cualificado.	
La válvula de purga pierde aire después de apagar el compresor	Válvula de retención sucia o defectuosa	Limpie o cambie la válvula de retención (ver "Para cambiar o limpiar la válvula de retención" en la sección de Mantenimiento).

TABLE DES MATIÈRES

GARANTIE24	ENTRETIEN PÉRIODIQUE30
TABLEAU DES SPÉCIFICATIONS24	DÉPANNAGE31
CONSIGNES DE SÉCURITÉ25-26	DESSIN DES PIÈCES ET LISTE DE PIÈCES10-14
GLOSSAIRE DES TERMES26		
VUE D'ENSEMBLE27		
ASSEMBLAGE27		
COMMANDES DU COMPRESSEUR28		
SPÉCIFICATIONS DE L'ALIMENTATION			
ÉLECTRIQUES28-29		
MODE D'EMPLOI29		
ENTRETIEN30		

GARANTIE

GARANTIE COMPLÈTE D'UN AN DE CRAFTSMAN

Ce produit est garanti **PENDANT UN AN**, à partir de la date d'achat contre tout défaut de pièces ou de fabrication. Le produit défectueux sera réparé gratuitement ou remplacé sans aucuns frais s'il est impossible de le réparer.

Pour obtenir de plus amples détails au sujet de la couverture de la garantie, à savoir comment obtenir une réparation ou un remplacement, visitez le site web : www.craftsman.com

Cette garantie ne couvre pas le filtre à air ou la courroie d'entraînement, qui sont des pièces consommables qui peuvent s'user lors d'une utilisation normale durant la période couverte par la garantie.

Cette garantie devient nulle si ce produit est utilisé à des fins commerciales ou loué à une autre personne.

Cette garantie vous accorde des droits légaux précis et vous pouvez bénéficier d'autres droits en fonction de l'État où celle-ci s'applique.

Sears Brands Management Corporation, Hoffman Estates, IL 60179 ÉTATS-UNIS

TABLEAU DES SPÉCIFICATIONS

MODÈLE	RUNNING H.P.	CAPACITÉ DU RÉSERVOIR - LITRES	TENSION/ AMPS/PHASE	PRESSION APPROXIMATIVE DE CONJONCTION	PRESSION APPROXIMATIVE DE DISJONCTION
921.16473 (WPB1683321)	1.6	Vert. 33 (124,92 Liters)	115/15/1	120 (8,27 bar)	150 (10,34 bar)

CONSIGNES DE SÉCURITÉ

Les informations suivantes concernent VOTRE SÉCURITÉ et LA PROTECTION DU MATÉRIEL CONTRE LES PANNES. Pour vous aider à identifier la nature de ces informations, nous utilisons les symboles suivants. Veuillez lire le manuel et prêter attention à ces sections.

⚠ DANGER: – DANGER POTENTIEL POUVANT ENTRAÎNER DE GRAVES BLESSURES OU LA MORT.

⚠ AVERTISSEMENT: – DANGER POUVANT CAUSER DES BLESSURES GRAVES VOIRE MORTELLES.

⚠ ATTENTION: – DANGER POUVANT CAUSER DES BLESSURES MOYENNEMENT GRAVES OU L'ENDOMMAGEMENT DE L'APPAREIL.







DIRECTIVES DE SÉCURITÉ IMPORTANTES

⚠ AVERTISSEMENT:

<p>RISQUE D'INCENDIE OU D'EXPLOSION.</p> 	<p>Ne jamais vaporiser de liquides inflammables dans un endroit confiné. Il est normal que le moteur et le manocontacteur produisent des étincelles lorsqu'ils sont en marche. Si les étincelles entrent en contact avec des vapeurs d'essence ou d'autres solvants, ces dernières peuvent s'enflammer et provoquer ainsi un incendie ou une explosion. Toujours mettre en marche le compresseur dans un endroit bien ventilé. Ne pas fumer lorsque vous vaporisez. Ne pas vaporiser à des endroits où il risque d'y avoir des étincelles ou des flammes nues. Tenir le compresseur aussi loin que possible de la zone vaporisée. Entreposer les matériaux inflammables dans un endroit sécuritaire loin du compresseur. Pourvoir la zone d'utilisation d'un extincteur.</p>
<p>RISQUE D'ÉCLATEMENT.</p> 	<p>Ne pas souder, percer ou modifier d'une quelconque façon le réservoir d'air de ce compresseur. Une soudure ou des modifications apportées au réservoir d'air du compresseur peuvent affecter grandement la force du réservoir et entraîner des conditions très dangereuses. Toute soudure ou modification apportée au réservoir annulera la garantie. Si une fuite est observée sur le réservoir, le remplacer immédiatement par un nouveau réservoir ou remplacer le compresseur au complet.</p>
<p>RISQUE DE CHOC ÉLECTRIQUE.</p> 	<p>Ne jamais utiliser un compresseur électrique à air à l'extérieur lorsqu'il pleut ou sur une surface humide, puisque cela pourrait entraîner une décharge électrique. Omettre de bien mettre à la terre ce produit pourrait entraîner de sérieuses blessures ou un décès par électrocution. S'assurer que le circuit électrique sur lequel le compresseur est branché offre une mise à la terre et une tension appropriées ainsi qu'une protection par fusible adéquate.</p>
<p>RISQUE DE BLESSURE.</p> 	<p>Cet appareil se met en marche automatiquement. TOUJOURS éteindre le compresseur, le débrancher de la prise et vidanger toute la pression du système avant d'en faire l'entretien lorsqu'il n'est pas utilisé. Ne pas utiliser l'appareil si les épaulements ou la protection de courroie ont été enlevés. Des blessures graves peuvent se produire à la suite d'un contact avec des pièces en mouvement. Demeurer alerte et vigilant lors de l'utilisation du compresseur. Ne pas utiliser le compresseur en état de fatigue ou sous l'influence de médicaments ou de l'alcool.</p>
<p>RISQUE D'ÉCLATEMENT.</p> 	<p>Vérifier la pression limite maximale du fabricant des outils à air et des accessoires. La pression de sortie du compresseur doit être réglée afin de ne jamais excéder la pression limite maximale de l'outil. Enlever toute la pression contenue dans le tuyau avant de fixer ou d'enlever des accessoires. Ne jamais utiliser le compresseur pour gonfler des objets à basse pression comme les jouets d'enfant, les ballons de football, de basketball, etc.</p>
<p>RISQUE DE BRÛLURES.</p> 	<p>Des températures élevées sont générées par la pompe et par le collecteur. Afin de prévenir les brûlures et les autres blessures, NE PAS toucher la pompe, le collecteur ou le tuyau de transfert lorsque la pompe est en marche. Les laisser refroidir avant de les manipuler ou de les réparer. Tenir le compresseur éloigné des enfants en tout temps. Ne pas toucher au-delà des épaulements de protection ou essayer de réaliser l'entretien de l'appareil avant qu'il n'ait pu refroidir.</p>
<p>RISQUE RESPIRATOIRE.</p> 	<p>Toujours porter un masque recouvrant le visage qui est conforme aux normes MSHA/NIOSH et travailler dans un endroit bien ventilé lors de l'utilisation d'outils générant de la poussière. Certaines poussières provenant du sablage, de l'affilage, du perçage ou d'autres activités de construction peuvent contenir des produits chimiques reconnus (par l'État de la Californie) comme pouvant provoquer des cancers, des malformations ou d'autres effets néfastes sur la fonction de reproduction. Certains exemples de ces produits chimiques comprennent :</p> <ul style="list-style-type: none"> • du plomb provenant de peintures à base de plomb; • de la silice cristalline provenant des briques, du ciment et des autres produits de maçonnerie; • de l'arsenic et du chrome provenant du bois traité.
<p>RISQUE RESPIRATOIRE.</p> 	<p>S'assurer de lire toutes les étiquettes lorsque vous vaporisez différents types de peintures ou de produits toxiques et suivre toutes les directives de sécurité inscrites sur l'étiquette, ou la fiche signalétique des produits que vous vaporisez. Utiliser un masque respiratoire répondant aux normes MSHA/NIOSH s'il y a un risque d'inhalation lors de la vaporisation. Lire toutes les instructions et s'assurer que votre masque respiratoire vous protège. Travailler dans un endroit disposant d'une bonne ventilation transversale.</p>
<p>RISQUE DE BLESSURE AUX YEUX.</p> 	<p>Toujours porter des lunettes de sécurité répondant à la norme ANSI Z87.1 lors de l'utilisation d'un compresseur à air. Ne jamais pointer l'embout ou le vaporisateur vers une personne, un animal ou une partie du corps. L'équipement peut provoquer des blessures graves si le vaporisateur transperce la peau.</p>

DIRECTIVES DE SÉCURITÉ IMPORTANTES

⚠ AVERTISSEMENT:

<p>RISQUE D'ÉCLATEMENT.</p> 	<ul style="list-style-type: none"> • Ne pas ajuster la soupape de sûreté du réservoir sous aucun prétexte. Ajuster la soupape de sûreté annule toutes les garanties. La soupape de sûreté a été réglée en usine selon la pression limite de cet appareil. Des blessures corporelles et/ou des dommages à la propriété peuvent survenir si la soupape de sûreté est altérée. • Ne pas utiliser de tuyaux en plastique ou en PVC pour propulser de l'air comprimé. N'utiliser que des tuyaux et des raccords en acier galvanisé pour propulser l'air comprimé.
<p>RISQUE D'INCENDIE</p> 	<p>Le fonctionnement sans surveillance de ce compresseur a pu avoir comme conséquence le dommage corporel ou les dégâts matériels. Pour réduire le risque du feu, ne laissez pas le compresseur actionner sans surveillance. Toujours déconnectez le courant électrique en tournant le mano-contact à au loin et vidangez le journal de réservoir ou après chaque utilisation.</p>
<p>RISQUE RESPIRATOIRE.</p> 	<p>L'air obtenu directement du compresseur ne devrait jamais être utilisé pour la consommation humaine. Le jet d'air peut contenir du monoxyde de carbone, des vapeurs toxiques ou des particules solides provenant du réservoir. Respirer ces contaminants peut provoquer des blessures graves ou même la mort. Afin d'utiliser l'air produit par ce compresseur à des fins respiratoires, des filtres adéquats et un équipement de sécurité en série doivent être installés correctement. Les filtres en ligne et l'équipement de sécurité doivent être installés correctement. Les filtres en ligne et l'équipement de sécurité utilisés sur le compresseur doivent être en mesure de traiter l'air selon les normes locales et fédérales applicables avant d'être utilisée pour la consommation humaine.</p>
<p>RISQUE DE BLESSURE.</p> 	<p>Toujours utiliser le compresseur dans une position stable et sécuritaire afin de prévenir les mouvements accidentels de l'appareil. Ne jamais utiliser le compresseur sur une table, un établi, un toit ou sur un autre endroit surélevé. Utiliser le tuyau d'air supplémentaire pour atteindre les endroits surélevés.</p>
<p>RISQUE AUDITIF.</p> 	<p>Porter toujours des protecteurs d'oreilles en utilisant un compresseur d'air. Dans le cas contraire, il y a risque de perte d'audition.</p>
	<p>Le cordon d'alimentation de ce produit contient du plomb, un produit chimique reconnu par l'État de Californie comme pouvant causer le cancer, des malformations à la naissance ou autres problèmes de reproduction. Lavez-vous les mains après utilisation.</p>
<p>REMARQUE: CÂBLAGE ÉLECTRIQUE.</p>	<p>Pour savoir quelles sont les normes d'intensité et de tension de l'appareil, référez-vous à l'étiquette du numéro de série du compresseur d'air. Veillez à ce que tout le câblage soit effectué par un electricien qualifié conformément au Code National Électrique des E.U.</p>

⚠ ATTENTION:

<p>Vidangez tous les jours l'humidité accumulée dans le réservoir. Pour éviter la corrosion, le réservoir doit être propre et sec.</p>
<p>Tirer sur la bague de la soupape de sûreté du réservoir afin d'assurer que la soupape fonctionne correctement et pour nettoyer la soupape de toute obstruction possible.</p>
<p>Le compresseur doit être maintenu à une distance de 12 pouces (31 cm) du mur le plus près dans un endroit bien ventilé afin de permettre une ventilation adéquate pour le refroidissement. Restreindre les ouvertures de ventilation du compresseur pourrait provoquer une surchauffe qui pourrait causer un incendie. Ne jamais laisser d'objets appuyés sur le compresseur ou sur le dessus de celui-ci.</p>
<p>Si vous transportez le compresseur, fixez-le bien. Avant de le transporter, il faut d'abord dépressuriser le réservoir.</p>
<p>Protégez le tuyau d'air contre les risques d'endommagement et de perforation. Inspectez-le chaque semaine pour déceler toute trace de faiblesse ou d'usure et remplacez-le au besoin.</p>
<p>Pour réduire les risques de décharge électrique, protégez l'appareil de la pluie. Entrez-le à l'intérieur.</p>
<p>Ne jamais utiliser le compresseur si le cordon d'alimentation ou la fiche sont endommagés. Confier l'entretien de l'appareil à Sears ou un autre centre de service qualifié.</p>

GLOSSAIRE DES TERMES

CFM: Pieds cubes par minute ; une unité de mesure de débit d'air.

Bar: Unité de mesure de pression d'air.

Pression de conjonction : lorsque le moteur est éteint, la pression du réservoir d'air diminue pendant que vous continuez à utiliser votre accessoire. Le moteur redémarrera lorsque la pression diminuera au-delà du niveau de basse pression déterminé en usine. La basse pression à laquelle le moteur démarre automatiquement est appelée pression de " conjonction ".

Pression de disjonction : lorsque le compresseur à air est mis en marche et qu'il commence à fonctionner, la pression du

réservoir d'air commence à augmenter. Elle s'accumule jusqu'au point de haute pression déterminé en usine avant que le moteur ne s'éteigne automatiquement, protégeant ainsi votre réservoir d'air d'atteindre une pression supérieure à sa capacité. La pression élevée à laquelle le moteur s'éteint est appelée pression de " disjonction ".

Bien aéré: Qualifie un endroit où les gaz d'échappement ou les vapeurs sont remplacés par de l'air frais.

Circuit réservé: Circuit électrique réservé exclusivement au compresseur d'air.

VUE D'ENSEMBLE

ÉLÉMENTS DE BASE DU COMPRESSEUR D'AIR

Les compresseurs d'air sans huile sont lubrifiés à l'usine et ne requièrent aucun huilage.

Les éléments de base du compresseur d'air sont le moteur électrique, la pompe, le manostat et le réservoir.

Le **moteur électrique (A)** actionne la pompe. Il est équipé d'un protecteur de surcharge pour ne pas griller. Le protecteur de surcharge arrête le moteur dès qu'il surchauffe. Dans ce cas, laissez-le refroidir pendant 10 à 15 minutes, puis appuyez sans forcer sur l'interrupteur de remise en marche du moteur pour le redémarrer.

La **pompe (A)** comprime l'air.

Le **réservoir (B)** contient l'air comprimé.

Le manostat (C) éteint le moteur lorsque le réservoir atteint la pression de "disjonction" prédéterminée. Tandis que l'air comprimé est utilisé et que le réservoir diminue jusqu'à la pression de "conjonction" prédéterminée, le manostat met en marche le moteur automatiquement et la pompe recommence à compresser l'air.

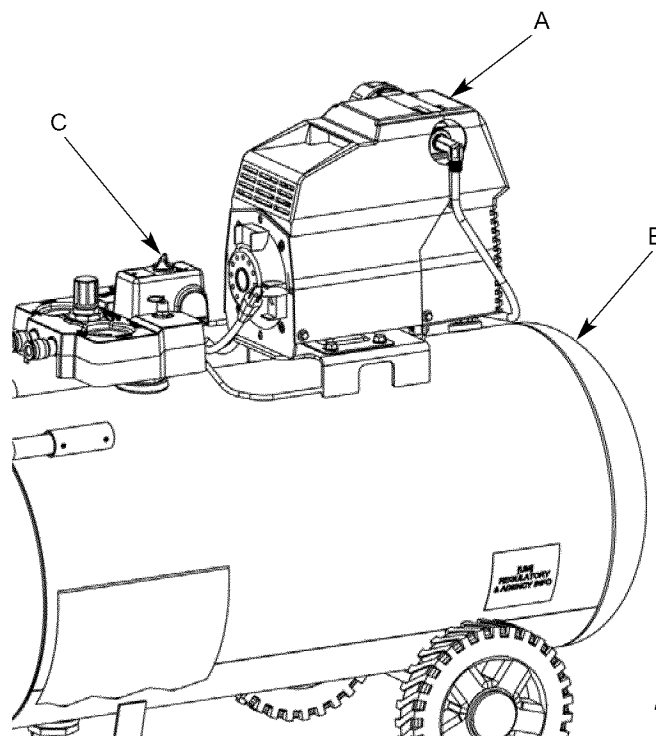


Fig. 1

ASSEMBLAGE

ASSEMBLAGE DU COMPRESSEUR

- Sortez le compresseur d'air de sa boîte. Inspectez-le pour vous assurer qu'il n'est pas endommagé. S'il a été endommagé pendant le transport, référez-vous à l'étiquette de transport et déclarez les dommages aux transporteurs. Faites cette démarche immédiatement étant donné les délais limites des demandes d'indemnisation.

Le carton doit contenir :

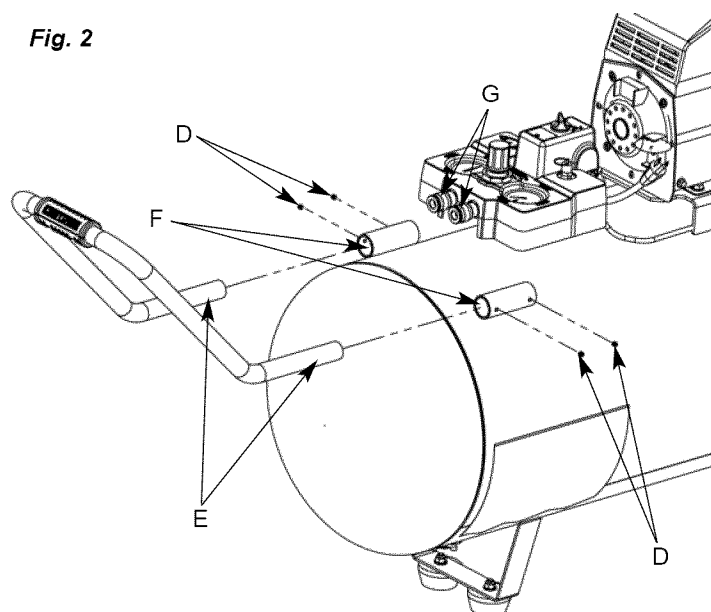
- compresseur d'air
- manuel de l'opérateur et manuel de pièces

- Vérifiez l'étiquette du numéro de série du compresseur pour vous assurer qu'il s'agit bien du modèle commandé et que la pression nominale est conforme à l'utilisation prévue.
- Pour les compresseurs horizontaux seulement, installer la poignée en dévissant les vis (D) et en plaçant ensuite les extrémités de la poignée (E) dans les fixations (F) de la poignée et visser les vis (D) (voir Ill. 2). Resserrer les vis en utilisant une clé hexagonale de 3 mm (non incluse).
- Positionnez le compresseur conformément aux recommandations suivantes :
 - Placez le compresseur près d'une prise de courant mise à la terre (voir INSTRUCTIONS DE MISE À LA TERRE). **Évitez d'utiliser une rallonge** ; utilisez plutôt un tuyau flexible plus long.
 - Le côté de la pompe du compresseur doit être à au moins 12 po (31 cm) de tout mur ou de toute obstruction dans un endroit bien ventilé et propre assurant une circulation d'air et un refroidissement suffisants.
 - Dans des climats froids, entreposez les compresseurs

portatifs dans un bâtiment chauffé lorsqu'ils ne sont pas en service pour réduire les problèmes de lubrification, de démarrage du moteur et de gel de l'eau produite par condensation.

- Le compresseur doit être de niveau pour assurer le drainage de l'humidité dans le réservoir.
- Brancher un tuyau d'air (non inclus) dans le raccord à branchement rapide (G).

Fig. 2



COMMANDES DU COMPRESSEUR

Manostat (voir A)

Cet interrupteur met en marche le compresseur. Il est actionné manuellement, mais, s'il se trouve sur la position ON, le compresseur se met en marche ou s'arrête automatiquement, sans avertissement, en fonction de la demande d'air. Réglez TOUJOURS cet interrupteur sur la position OFF quand vous n'utilisez pas le compresseur et avant de le débrancher.

Soupape de sûreté du réservoir (voir B)

Utilisé pour permettre à la pression du réservoir de s'échapper dans l'atmosphère. Si le manostat n'éteint pas le compresseur à sa pression de " disjonction ", la soupape de sûreté protégera le réservoir des pressions élevées en libérant la pression du réservoir jusqu'à la pression établie en usine (légèrement au-delà du réglage du manostat de " disjonction "). Pour faire fonctionner manuellement, tirer sur la bague de la soupape afin de libérer la pression d'air du réservoir.

Soupape de sûreté contre les surpressions (voir C)

La soupape de sûreté contre les surpressions (située au bas du manostat) est conçue pour libérer l'air comprimé à l'intérieur de la tête du compresseur et du tube de sortie lorsque le compresseur atteint la pression de " disjonction " ou qu'il est éteint. La soupape de sûreté contre les surpressions permet au moteur de se mettre en marche facilement. Lorsque le moteur arrête de fonctionner, vous entendrez l'air s'échappant de cette soupape pendant quelques secondes. L'air ne doit pas s'échapper de cet endroit lorsque le moteur est en marche ou après la courte libération se produisant après avoir atteint la pression de " disjonction ".

Manomètre du réservoir (voir D)

Ce manomètre mesure le niveau de pression d'air dans le

réservoir. L'utilisateur ne peut pas régler ce manomètre et il n'indique pas la pression dans la conduite.

Régulateur de pression d'air (voir E)

Le régulateur de pression d'air permet de régler la pression de la conduite de l'outil que vous utilisez.

⚠ AVERTISSEMENT: Ne dépassez jamais la pression maximum nominale de l'outil.

Réglage de la pression : tirer sur le bouton et le tourner dans le sens des aiguilles d'une montre pour augmenter la pression et dans le sens contraire des aiguilles d'une montre pour la réduire. Pour verrouiller un réglage, enfoncez le bouton.

Manomètre de pression régulée (voir F)

Ce manomètre mesure la pression de sortie régulée.

Raccord à branchement rapide (voir G)

Un raccord à branchement rapide pour raccorder ou enlever le tuyau d'air.

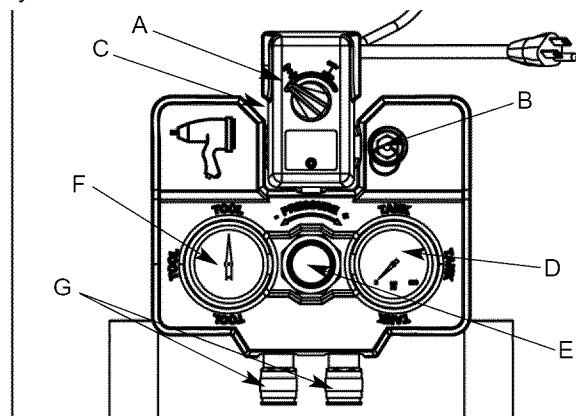


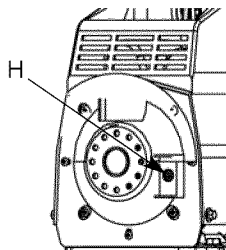
Fig. 3

REMISE EN MARCHÉ ET CÂBLAGE DU MOTEUR

INTERRUPTEUR DE REMISE EN MARCHÉ DU MOTEUR

⚠ AVERTISSEMENT: Veillez à ce que toutes les sécurités et protections soient installées avant d'appuyer sur l'interrupteur de remise en marche.

Si le moteur s'arrête à cause d'une surcharge, attendez 10 à 15 minutes que le moteur ait refroidi, puis appuyez SANS FORCER sur l'interrupteur de remise en marche du moteur (H) pour le redémarrer.



CÂBLAGE ÉLECTRIQUE

Pour vous renseigner sur les normes d'intensité et de tension de l'appareil, référez-vous à l'étiquette du numéro de série du compresseur d'air.

Utilisez un circuit séparé

Pour obtenir le meilleur rendement possible et une mise en marche fiable, le compresseur d'air doit être installé sur un circuit séparé, aussi près que possible d'une boîte à fusibles ou d'un disjoncteur. Le compresseur utilise toute la capacité d'un circuit à usage domestique typique. Si d'autres appareils électriques tirent du courant sur le circuit du compresseur, il est possible que le compresseur ne puisse pas démarrer. Si la tension est insuffisante ou si le circuit est

surchargé, le démarrage risque d'être lent et d'entraîner en conséquence le déclenchement du disjoncteur ou de l'interrupteur de remise en marche du moteur, surtout s'il fait froid.

REMARQUE : un disjoncteur est recommandé afin de supporter la charge électrique initiale lors du démarrage du compresseur à air. Si le compresseur est branché sur un circuit protégé par un fusible, utiliser des fusibles temporisés à élément double (Buss Fusetron de type " T " seulement).

RALLONGES

REMARQUE : Évitez d'utiliser des rallonges.

Pour obtenir un rendement optimum, branchez le câble d'alimentation du compresseur directement sur une prise de courant mise à la terre. N'utilisez pas de rallonge sauf nécessité absolue. Utilisez plutôt un tuyau flexible plus long pour atteindre la zone où l'air est nécessaire.

S'il l'utilisation d'une rallonge est inévitable, le cordon électrique ne doit pas dépasser 15 m (50 pi) et doit être d'un calibre minimum de 12 (AWG). N'utilisez pas une rallonge de calibre 16 ou 14.

Utilisez seulement une rallonge à 3 fils munie d'une prise de terre à 3 lames et une prise de courant à 3 fentes dans laquelle la prise peut être branchée. Veillez à ce que la rallonge que vous allez utiliser soit en bon état. Une rallonge de dimension inférieure à celle préconisée causera une baisse de tension sur la ligne qui se soldera par une perte de puissance et une surchauffe. Plus le calibre est petit, plus la rallonge doit être grosse.

SPÉCIFICATIONS DE L'ALIMENTATION ÉLECTRIQUE

INSTRUCTIONS DE MISE À LA TERRE POUR MODELES À CORDON :

Ce produit doit être mis à la terre. En cas de court-circuit électrique, la mise à la terre réduit les risques de décharges électriques en fournissant un fil par lequel le courant électrique peut s'échapper.

Ce produit est équipé d'un câble d'alimentation muni d'un fil de terre et d'une fiche de terre appropriée. Cette fiche doit être branchée sur une prise de courant qui a été mise à la terre et installée conformément à toutes les normes et décrets locaux.

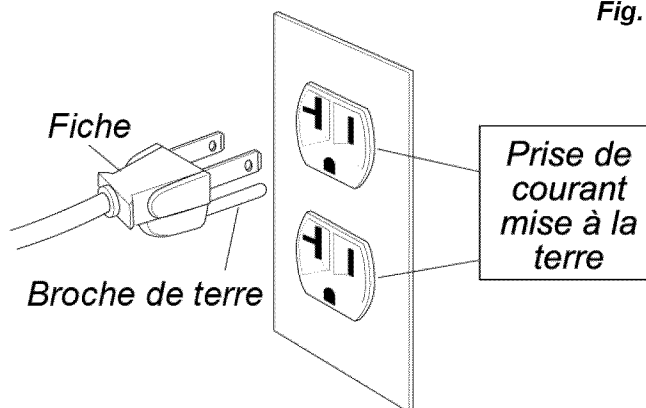
⚠ DANGER: L'installation incorrecte de la fiche de terre risque de provoquer des décharges électriques. Si une réparation ou un remplacement du cordon d'alimentation ou de la fiche est nécessaire, ne pas brancher le câble de mise à la terre à l'une des lames plates de la fiche. Le fil de terre est recouvert d'une gaine d'isolement verte avec ou sans rayures jaunes.

Ce produit est conçu pour être utilisé sur un circuit de 115 volts . Ce produit est conçu pour fonctionner sur un circuit d'une tension nominale de 115 ou 230 volts. Un câble muni d'une prise de terre, comme illustré ici, doit être utilisé.

Veillez à ce que le compresseur soit branché sur une prise de courant compatible avec la fiche (Fig 5). N'utilisez pas d'adaptateur avec ce produit.

Si vous ne comprenez pas les instructions de mise à la terre ou si vous doutez que le compresseur soit correctement mis à la terre, consultez un électricien qualifié. Ne modifiez pas la fiche fournie avec l'appareil ; si elle ne s'adapte pas à la prise de courant, faites installer une prise de courant correcte par un électricien qualifié.

Fig. 5



MODE D'EMPLOI

MISE EN MARCHÉ QUOTIDIENNE

1. Placer le manocontacteur en position OFF (C).
2. Fermez le robinet de purge du réservoir (F). Tourner vers la droite.
4. Branchez le cordon d'alimentation.

⚠ AVERTISSEMENT: La pompe et le moteur électrique produisent des températures élevées. Pour éviter les brûlures et autres blessures, NE touchez PAS le compresseur quand il est en marche. Laissez-le refroidir avant de le manipuler ou d'effectuer son entretien. Ne laissez jamais les enfants s'approcher du compresseur.

4. Tourner le manocontacteur en position AUTO (D).
5. Ajuster le régulateur à la pression d'utilisation de l'outil.

REMARQUE: Réglage de la pression : tirer sur le bouton et le tourner dans le sens des aiguilles d'une montre pour augmenter la pression et dans le sens contraire des aiguilles d'une montre pour la réduire. Pour verrouiller un réglage, enfoncez le bouton.

⚠ AVERTISSEMENT: Pour passer d'une pression élevée à une pression plus basse, tournez le bouton dans le sens contraire des aiguilles d'une montre au-delà du réglage de pression désiré, puis tournez-le dans le sens des aiguilles d'une montre pour atteindre la pression désirée. Ne pas dépasser la pression de fonctionnement de l'outil ou de l'accessoire utilisé.

ARRÊT

1. Placer le manocontacteur en position OFF (C).
2. Débranchez le cordon d'alimentation.
3. Réduire la pression du réservoir au moyen du tuyau de sortie. Vous pouvez aussi tirer sur la bague de la soupape de sûreté du réservoir (voir G) et la tenir ouverte afin de libérer

- la pression contenue dans le réservoir.
4. Ouvrez le robinet de purge (voir E) pour permettre à l'humidité de s'écouler le réservoir.

⚠ ATTENTION: L'air et l'humidité qui s'échappent peuvent projeter des particules pouvant causer des blessures aux yeux. Portez des lunettes de protection lorsque vous ouvrez le robinet de purge.

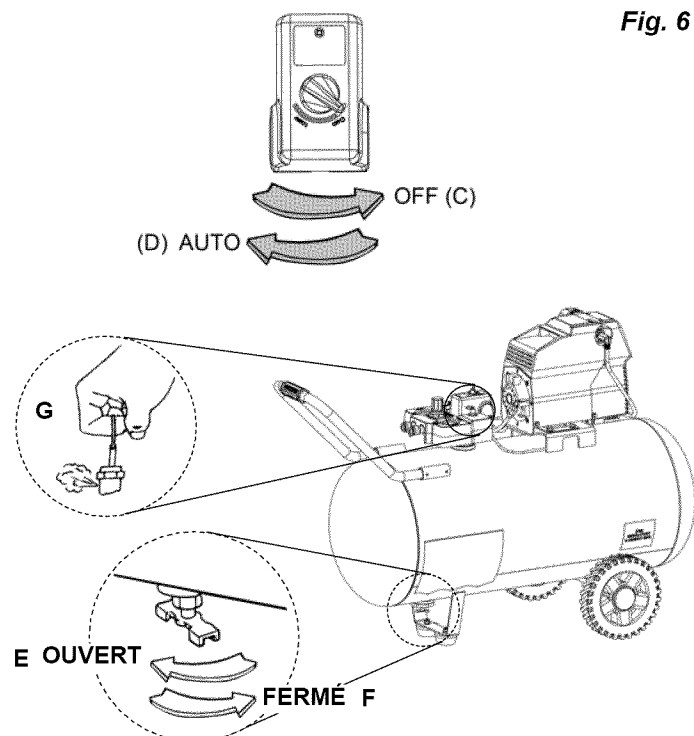


Fig. 6

ENTRETIEN

ENTRETIEN

AVERTISSEMENT: Pour éviter les risques de blessures, arrêtez et débranchez toujours le compresseur et libérez toute la pression d'air dans le circuit avant de procéder à l'entretien.

L'entretien régulier de l'appareil permettra d'assurer un fonctionnement sans problèmes. Votre compresseur d'air électrique est un appareil de haute qualité ; toutefois, même les machines de haute qualité nécessitent un entretien périodique. Les composants énumérés ci-dessous doivent être inspectés régulièrement.

VIDANGE DU RÉSERVOIR

Vider l'humidité contenue dans le réservoir (pour obtenir les instructions, voir " Fermeture " dans la section des instructions de fonctionnement).

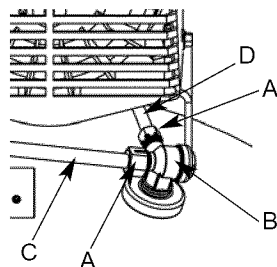
AVERTISSEMENT: De la condensation s'accumulera dans le réservoir. Afin de prévenir la corrosion de l'intérieur du réservoir, l'humidité doit être vidangée à la fin de chaque journée de travail. Porter des lunettes de protection.

REMARQUE : Dans les climats froids, purger le réservoir après chaque utilisation afin de réduire les problèmes de gel d'eau de condensation.

POUR REMPLACER OU NETTOYER LE CLAPET DE NON-RETOUR

AVERTISSEMENT: Cet appareil se met en marche automatiquement. Arrêtez TOUJOURS le compresseur, débranchez-le de la prise de courant et purgez toute la pression du circuit avant de procéder à l'entretien du compresseur ou lorsque vous ne l'utilisez pas. N'utilisez pas l'appareil sans les protections ou le garde-courroie. Risque de blessures graves en cas de contact avec les pièces en mouvement !

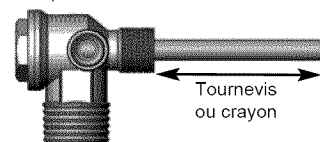
1. Éteindre le compresseur à air, retirer le cordon d'alimentation de la prise ou verrouiller l'alimentation électrique et libérer la pression d'air du réservoir (consulter la section " Fermeture " dans les instructions de fonctionnement). S'assurer que le compresseur a eu le temps de refroidir avant d'effectuer l'entretien.
2. En utilisant une clé de taille appropriée, dévisser les écrous de compression (A) sur le clapet de non-retour (B). Retirer doucement le tube de transfert (C) et le tube de vidange (D).
3. Prendre note de l'orientation pour faciliter l'assemblage, dévisser le clapet de non-retour du réservoir (en sens inverse des aiguilles d'une montre) en utilisant une clé de la taille appropriée.
4. Utilisant un crayon ou un tournevis, poussez soigneusement le disque de valve à travers. Si le disque de valve ne se bouge pas librement vers le haut et vers le bas, le clapet anti-retour doit être nettoyé ou remplacé.
5. Nettoyer le clapet de non-retour avec de l'eau savonneuse tiède et s'assurer de bien le sécher avant de le réinstaller. Si le disque du clapet ne se déplace pas encore librement



de haut en bas, celui-ci devra être remplacé.

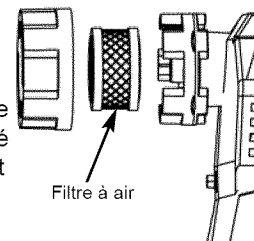
6. Appliquer du scellant pour filetage sur les filetages du clapet de non-retour et le réinstaller sur le réservoir en tournant dans le sens horaire. S'assurer d'utiliser la même orientation que lorsque celui-ci a été retiré.
7. Replacer le tuyau de transfert et resserrer l'écrou de compression.
8. Replacer le tuyau de transfert et resserrer les écrous de compression.

Clapet de non-retour



NETTOYAGE DU FILTRE À AIR

Un filtre à air sale réduira les performances et la durée de vie du compresseur. Pour éviter toute contamination interne de la pompe, le filtre doit être nettoyé fréquemment et remplacé régulièrement. Les filtres en feutre doivent être nettoyés dans de l'eau savonneuse tiède. Les filtres en papier doivent être remplacés quand ils sont sales. Il ne faut pas que les filtres soient remplis de saletés ou de peinture. Si le filtre se remplit de peinture, remplacez-le. Votre garantie sera annulée si l'appareil est directement exposé à des saletés et de la peinture.



VÉRIFICATION DE LA SOUPAPE DE DÉCHARGE

Tirer sur la bague de la soupape de sûreté du réservoir quotidiennement afin d'assurer que la soupape fonctionne correctement et pour nettoyer la soupape de toute obstruction possible.

ESSAI D'ÉTANCHÉITÉ

Assurez-vous que tous les raccords sont serrés. Le rendement de votre compresseur peut être réduit de manière significative en présence d'une petite fuite d'air dans les tuyaux flexibles, les tubes de transfert ou les raccords de tuyauterie. Si vous suspectez une fuite, vaporisez un peu d'eau savonneuse autour de la zone. Si des bulles apparaissent, réparez ou remplacez le composant défectueux. Ne serrez pas trop.

ENTREPOSAGE

Avant d'entreposer le compresseur pour une période prolongée, utilisez une soufflette pour nettoyer toute la poussière et tous les débris du compresseur. Débranchez le cordon d'alimentation et enroulez-le. Tirer sur la bague de la soupape de sûreté du réservoir quotidiennement afin d'assurer que la soupape fonctionne correctement et pour nettoyer la soupape de toute obstruction possible. Évacuez toute l'humidité du réservoir. Nettoyez les éléments et le boîtier du filtre ; remplacez les éléments au besoin. Vidangez l'huile du carter de la pompe et remplacez-la par de l'huile neuve. Couvrez tout l'appareil pour le protéger de l'humidité et de la poussière.

ENTREPOSAGE

Effectuez l'entretien suivant aux intervalles indiqués ci-dessous.	Quotidiennement ou après chaque utilisation
Inspecter le filtre à air (le nettoyer ou le remplacer au besoin)	Lorsqu'utilisé dans un environnement poussiéreux
Actionner la soupape de sûreté du réservoir	•
Vidangez le réservoir	•

DÉPANNAGE

Remarque : Les problèmes de dépannage peuvent avoir des causes et des solutions similaires.

PROBLEME	POSSIBLE CAUSE	SOLUTION
Faible pression ou manque d'air ou compresseur fonctionnant sans arrêt	Robinet de réservoir ouvert	Fermer le robinet
	Fuite des raccords	Vérifier les raccords à l'eau savonneuse. Resserrer ou étanchéifier les raccords. NE PAS TROP SERRER.
	Entrée d'air obstruée	Nettoyer ou remplacer l'élément du filtre de prise.
	Usage excessif d'air	Réduire l'utilisation d'air comprimé.
	Compresseur pas assez puissant	Vérifier le débit d'air requis pour les accessoires. S'il est supérieur au débit PCM et à la pression fournis par le compresseur, celui-ci doit être plus puissant. La plupart des accessoires ont un facteur d'utilisation de 25 %.
	Fuite d'un tuyau pneumatique	Vérifier ou remplacer au besoin.
	Fuite du réservoir	▲ AVERTISSEMENT: Remplacer immédiatement le réservoir. NE PAS tenter une réparation.
	Éclatement d'un joint	Communiquer avec Sears ou un autre centre de service qualifié.
	Fuite de soupape	Communiquer avec Sears ou un autre centre de service qualifié.
Fuite ou joint de piston usé	Communiquer avec Sears ou un autre centre de service qualifié.	
Fuite d'air du régulateur ou mauvaise régulation de la pression	Pièces du régulateur sales ou endommagées	Communiquer avec Sears ou un autre centre de service qualifié.
La lecture du manomètre chute lors de l'utilisation d'air.	Situation normale	Si la pression chute trop, ajuster le régulateur pendant l'utilisation de l'accessoire.
	Compresseur pas assez puissant	Vérifier le débit d'air requis pour les accessoires. S'il est supérieur au débit PCM et à la pression fournis par le compresseur, celui-ci doit être plus puissant. La plupart des accessoires ont un facteur d'utilisation de 25 %.
La soupape de sûreté s'ouvre	La pression du réservoir dépasse la limite normale	Communiquer avec Sears ou un autre centre de service qualifié.
	Manocontacteur bloqué	Communiquer avec Sears ou un autre centre de service qualifié.
Le moteur ne démarre pas	La pression du réservoir dépasse la limite préétablie du manocontacteur	Le moteur démarre automatiquement lorsque la pression du réservoir chute sous la pression d'enclenchement du manocontacteur.
	Le limiteur de surcharge s'est déclenché	Laisser le moteur refroidir et le limiteur de surcharge se réarmera automatiquement après quelques minutes.
	Fusible grillé ou disjoncteur déclenché	• Remplacer le fusible ou réarmer le disjoncteur. Ne pas utiliser de fusible ou de disjoncteur d'une valeur supérieure à la puissance du circuit.
		• Vérifier le fusible ; le type T « Fusetron » est acceptable.
		• Vérifier la faible tension et le calibre de la rallonge.
	• Débrancher les autres appareils du circuit. Faire fonctionner le compresseur sur un circuit réservé.	
	Clapet de non-retour sale ou défectueux.	Inspecter et remplacer le clapet de non-retour (voir " Pour remplacer ou nettoyer le clapet de non-retour " dans la section Maintenance).
	Calibre incorrect du fil ou rallonge trop longue	Vérifier le calibre et la longueur de la rallonge.
	Mauvaises connexions	Communiquer avec Sears ou un autre centre de service qualifié.
Peinture vaporisée sur les pièces internes du moteur	Communiquer avec Sears ou un autre centre de service qualifié. Ne pas faire fonctionner le compresseur dans l'aire de peinture.	
Possibilité de moteur défectueux	Communiquer avec Sears ou un autre centre de service qualifié.	
Une fuite d'air à la soupape de vidange demeure après que le compresseur ait été éteint	Clapet de non-retour sale ou défectueux.	Inspecter et remplacer le clapet de non-retour (voir " Pour remplacer ou nettoyer le clapet de non-retour " dans la section Maintenance).

Get it fixed, at your home or ours!

Your Home

For troubleshooting, product manuals and expert advice:



www.managemylife.com

For repair – **in your home** – of **all** major brand appliances, lawn and garden equipment, or heating and cooling systems, **no matter who made it, no matter who sold it!**

For the replacement parts, accessories and owner's manuals that you need to do-it-yourself.

For Sears professional installation of home appliances and items like garage door openers and water heaters.

1-800-4-MY-HOME[®] (1-800-469-4663)

Call anytime, day or night (U.S.A. and Canada)

www.sears.com www.sears.ca

Our Home

For repair of carry-in items like vacuums, lawn equipment, and electronics, call anytime for the location of your nearest

Sears Parts & Repair Service Center

1-800-488-1222 (U.S.A.)

www.sears.com

1-800-469-4663 (Canada)

www.sears.ca

To purchase a protection agreement on a product serviced by Sears:

1-800-827-6655 (U.S.A.)

1-800-361-6665 (Canada)

Para pedir servicio de reparación a domicilio, y para ordenar piezas:

1-888-SU-HOGAR[®]

(1-888-784-6427)

www.sears.com

Au Canada pour service en français:

1-800-LE-FOYER^{MC}

(1-800-533-6937)

www.sears.ca

The Sears logo, featuring the word "Sears" in a large, bold, serif font with a stylized 'S'.

® Registered Trademark / TM Trademark of KCD IP, LLC in the United States, or Sears Brands, LLC in other countries

® Marca Registrada / TM Marca de Fábrica de KCD IP, LLC en Estados Unidos, o Sears Brands, LLC in otros países

^{MC} Marque de commerce / ^{MD} Marque déposée de Sears Brands, LLC

Free Manuals Download Website

<http://myh66.com>

<http://usermanuals.us>

<http://www.somanuals.com>

<http://www.4manuals.cc>

<http://www.manual-lib.com>

<http://www.404manual.com>

<http://www.luxmanual.com>

<http://aubethermostatmanual.com>

Golf course search by state

<http://golfingnear.com>

Email search by domain

<http://emailbydomain.com>

Auto manuals search

<http://auto.somanuals.com>

TV manuals search

<http://tv.somanuals.com>