

# Operator's Manual

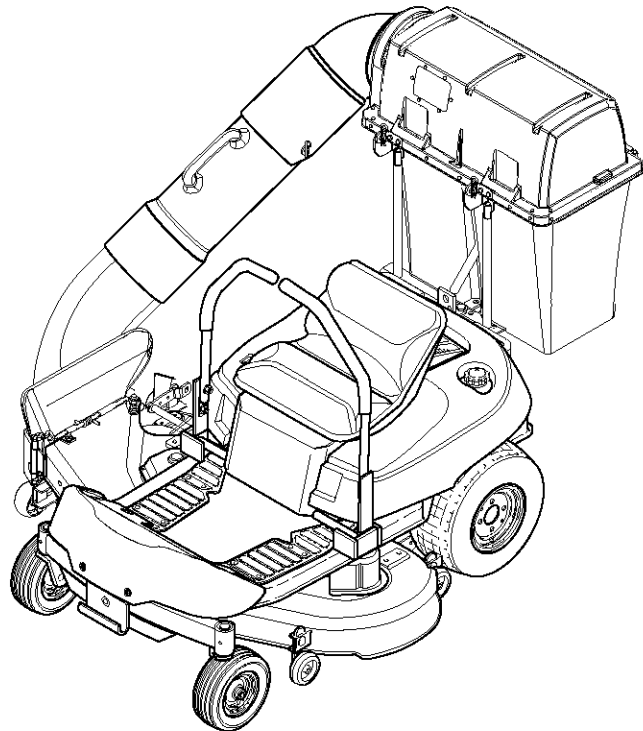


## ZT 7000

## 2-BIN BAGGER

Model No.

**107.24907**



**CAUTION:** Before using this product, read the manual and follow all its Safety Rules and Operating Instructions.

For answers to your questions about this product, call:

**1-800-659-5917**

**Sears Craftsman Help Line**

5 am - 5 pm, Mon - Sat

Nota: Una traducción en español de este Manual del Operador puede encontrarse en la página 11.

Sears, Roebuck and Co., Hoffman Estates, IL 60179 U.S.A.

Visit our Craftsman website: [www.sears.com/craftsman](http://www.sears.com/craftsman)

1726618

Rev 02/2004

TP 199-4051-00-AT-C

# TABLE OF CONTENTS

Nota: Una traducción en español de este Manual del Operador puede encontrarse en la página 10.

<b>Warranty Statement</b> .....	2	<b>Spanish Operator's Manual</b> .....	12
<b>Safety Rules &amp; Information for Bagger</b> .....	3	<b>Repair Parts</b> .....	PTS-1
<b>Operating Instructions for Bagger</b> .....	4	<b>Hardware Identification &amp;</b>	
<b>Initial Assembly &amp; Installation</b> .....	5	<b>Torque Specifications</b> .....	Inside Back Cover
<b>Normal Installation &amp; Removal</b> .....	10	<b>Service Telephone Numbers</b> .....	Back Cover

## WARRANTY

### ONE YEAR FULL WARRANTY on CRAFTSMAN 2-BIN BAGGER

For one (1) year from the date of purchase, if any parts of this product are defective in material or workmanship, Sears will repair or replace them free of charge.

#### THIS WARRANTY DOES NOT COVER:

- Bagger cloth bags which are expendable and wear out with normal use.
- Repairs necessary because of operator negligence, including but not limited to, failure to maintain the equipment according to the instructions contained in the operator's manual.
- Bagger if used for commercial or rental purposes.

WARRANTY SERVICE IS AVAILABLE BY RETURNING DEFECTIVE PARTS TO THE NEAREST SEARS PARTS & REPAIR CENTER IN THE UNITED STATES.

FOR THE NEAREST SEARS PARTS & REPAIR CENTER LOCATION, CALL 1-800-4-MY-HOME ®.

This warranty gives you specific legal rights, and you may also have other rights which vary from state to state.

Sears, Roebuck and Co., Dept. 817WA, Hoffman Estates, IL 60179

### HARDWARE BAGS

Description	Quantity
<b>BAFFLE HARDWARE</b>	
Carriage Bolt, 5/16-18 x 5/8	7
Locknut, 5/16-18	7
<b>BAGGER HARDWARE</b>	
Carriage Bolt, 5/16-18 x 5/8	2
Locknut, 5/16-18	2
Bracket	1
Pin, Clevis	4
Washer, 1/2	4
Pin, Hair	4
Nut, Hex, 1/2-13	1
Capscrew, Hex, 1/2-13 x 1-1/4	1
Washer, 3/8	4
Locknut, 3/8-16	4
Capscrew, Hex, 3/8-16 x 2	4


### TOOLS REQUIRED

Description	Quantity
1/2" Wrench	1
9/16" Wrench	2
3/4" Wrench	2

See Page 25 for Wrench and Fastener Size Guide.

# SAFETY RULES & INFORMATION FOR BAGGER



Read these safety rules and follow them closely. Failure to obey these rules could result in loss of control of unit, severe personal injury or death to you, or bystanders, or damage to property or equipment. The triangle  in text signifies important cautions or warnings which must be followed.

## See Rider Operators Manual

### GENERAL WARNINGS

- Know the unit's controls and how to stop quickly. **READ THE OPERATOR'S MANUALS.**
- Read and obey all safety decals.
- Only allow responsible adults, who are familiar with the instructions, to operate the unit.
- Disengage the PTO. Shut off the engine and wait for all moving parts to stop before attaching, adjusting, or disconnecting any part of the collection system.
- Check the collection system to make sure it is bolted tightly to the unit.
- DO NOT operate the unit without either the entire grass bagger or the deflector in place.
- Turn off the PTO to disengage the blades when not mowing.
- DO NOT mow in reverse. Always look down and behind before and while travelling in reverse.
- DO NOT turn sharply when travelling alongside a building or any object. Slow down before turning.
- DO NOT carry passengers.
- When collection system is removed from the mower deck, the deflector must be properly installed.
- Grass bagger components are subject to wear, damage, and deterioration, which could expose moving parts or allow objects to be thrown. Frequently check components and replace with manufacturer's recommended parts, when necessary.
- If the mower stalls or the collector chute plugs:
  1. Disengage the PTO;
  2. Stop the engine and remove the key;
  3. Set the parking brake, and wait for all moving parts to stop.
  4. Remove the foreign object or clear the chute with a piece of wood before restarting the engine. **NEVER place hands into COLLECTOR OR MOWER housing to clear jammed objects. MOWER may rotate when object is removed.**
- For added stability and to prevent tipping or loss of control:
  - a. Use reduced speed on uneven ground and when turning corners.
  - b. Reduce loads on hillsides. It is recommended that the collection system be kept only half full when negotiating any slopes. Start mowing on slopes when the collection system is empty.
  - c. Mow up and down the face of slopes; never across the face of any slope.**Never operate on slopes greater than 17.6% (10°).**

## SAFETY DECALS

This unit has been designed and manufactured to provide you with the safety and reliability you would expect from an industry leader in outdoor power equipment manufacturing.

Although reading this manual and the safety instructions it contains will provide you with the necessary basic knowledge to operate this equipment safely and effectively, we have placed several safety labels on the unit to remind you of this important information while you are operating your unit.

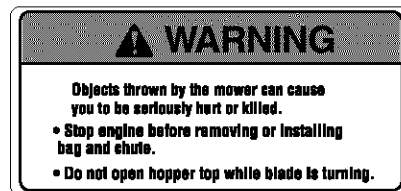
All DANGER, WARNING, CAUTION and instructional messages on your rider, attachments and mower should be carefully read and obeyed. Personal bodily injury can result when these instructions are not followed. The information is for your safety and it is important! The safety decals below are on your product.

If any decals are lost or damaged, replace them at once. See your local dealer for replacements.

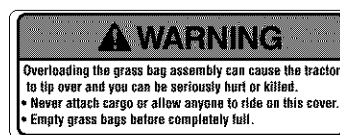
TP 600-2562-01-AT-SMA

These labels are easily applied and will act as a constant visual reminder to you, and others who may use the equipment, to follow the safety instructions necessary for safe, effective operation.

## ATTACHMENT DECALS



Decal - WARNING  
Thrown Objects  
Part Number  
1709248



Decal - WARNING Do  
Not Overload  
Part Number 1704405

*Read and obey all operation and warning decals.*

# OPERATING INSTRUCTIONS FOR BAGGER



## BEFORE OPERATION

Clear the lawn of all sticks, stones, wire and other debris which may be caught or thrown by the mower blades.

Check grass condition. If wet, wait until later in the day. If grass is wet, the grass catcher is likely to become plugged.

***For efficient bagging, air circulation under the mower deck, through the chute and into the bag is very important.***

For this reason, BEFORE YOU BEGIN MOWING you should make certain the underside of the mower and the underside of the catcher lid are free from grass and debris.

Make sure that there is a snug fit between mower deck, blower housing, tubes, and hopper.

## MOWING WITH THE BAGGER

Always operate with throttle at full speed when mowing.

Grass should be cut often, but not too short. If grass is too long or lush it may be necessary to keep ground speed to a minimum or to cut only half the width of the mower to prevent clogging. If grass is long, operate with mower in high cutting position for first pass, cutting again in a lower position on a second pass.

### **Do not open the cover with mower engaged.**

If a large amount of cut grass is spilling out from under deck, the tube may be plugged or the bags may be full—discontinue mowing, stop the rider, disengage the PTO, shut off the engine and then empty the bagger or clear the tube.

## **! WARNING**

**ALWAYS shut off the unit. Disengage the PTO, and allow all moving parts to stop BEFORE disconnecting or clearing tube, or emptying catcher.**

**Before leaving the operator's position for any reason, engage the parking brake, disengage the PTO, stop the engine and remove the key.**

**To reduce fire hazard, keep the engine, rider and mower free of grass, leaves and excess grease. Do not stop or park rider over dry leaves, grass or combustible materials.**

Never operate mower on slopes greater than 10°.

## AFTER OPERATION

Remove any debris from the the screen on the underside of the hopper lid. *Note: The lid screen can be partially removed for easier cleaning and should be cleaned regularly.*

The discharge tubes should be removed for cleaning.

**! WARNING:** Inspect the grass bags for wear or hole damage before and after each use. Debris can fly through holes during operation.

## STORING THE GRASS BAGGER

### **! CAUTION**

**Do not leave grass in bagger containers. Empty containers after each use and before storing. Failure to do so may result in spontaneous combustion which could develop into a fire.**

Clean the grass bagger thoroughly using a mild detergent (other products may damage the tube). Remove any debris from the the screen on the underside of the lid.

If paint has been scratched on metal parts, touch up with paint, or apply a thin film of oil to prevent corrosion.

Store in a dry area. Dry thoroughly before storing for a long period of time. Always store away from moisture.

# INITIAL ASSEMBLY & INSTALLATION

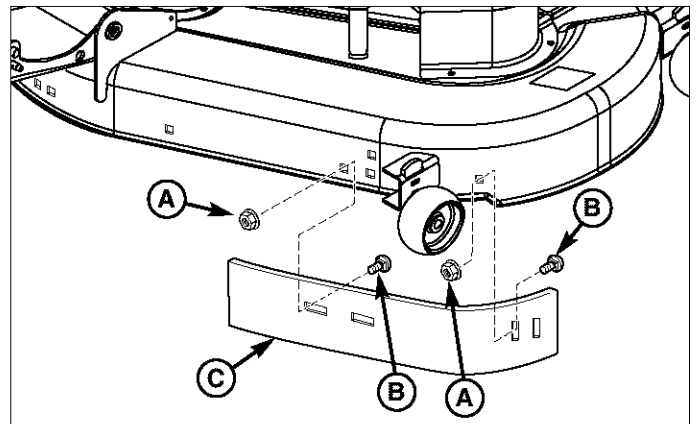
**NOTE:** In this manual, “left” and “right” are always defined from the standpoint of the operator position facing forward from seat.

## BAFFLE REMOVAL

### **⚠ WARNING**

To avoid serious injury, engage parking brake, disengage PTO, stop engine, remove key and disconnect spark plug(s) before attempting to install, remove or work on the mower.

1. Raise mower deck to highest cutting position.
2. Remove and discard 5/16-18 locknuts (A, Figure 1) and 5/16-18 x 7/8 carriage bolts (B).
3. Remove and discard the old baffle (C, Figure 1).  
**NOTE:** The old baffle (C, Figure 1) is permanently replaced by the new baffles (F & G, Figure 3) included with this bagger.

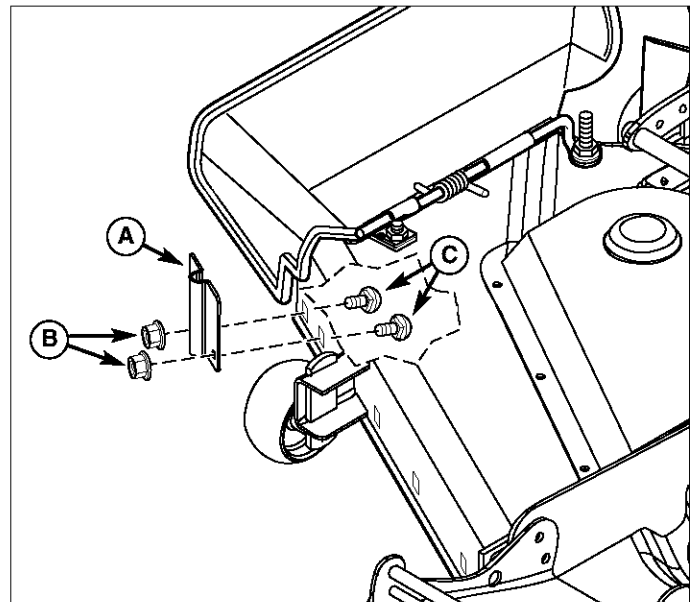


**Figure 1. Baffle Removal**

- A. Locknuts, 5/16-18
- B. Carriage Bolts, 5/16-18 x 7/8
- C. Baffle

## INSTALL MOUNTING PLATE

1. Install mounting plate (A, Figure 2) to mower deck as shown. Secure with 5/16-18 x 5/8 carriage bolts (C) and 5/16-18 locknuts (B).



**Figure 2. Install Mounting Plate**

- A. Mounting Plate
- B. Locknuts, 5/16-18
- C. Carriage Bolts, 5/16-18 x 5/8

## BAFFLE INSTALLATION

1. Lift side discharge chute (H, Figure 3).
2. Insert baffle (F) through discharge opening and position baffle into place.
3. Tighten carriage bolts (A) and nuts (E) on baffle (F).
4. Tighten carriage bolt (B) and nut (E) on baffle (F).
5. Position baffle (G) into place.
6. Tighten carriage bolts (C) and nuts (E) on baffle (G).
7. Tighten carriage bolts (D) and nuts (E) on baffle (G).

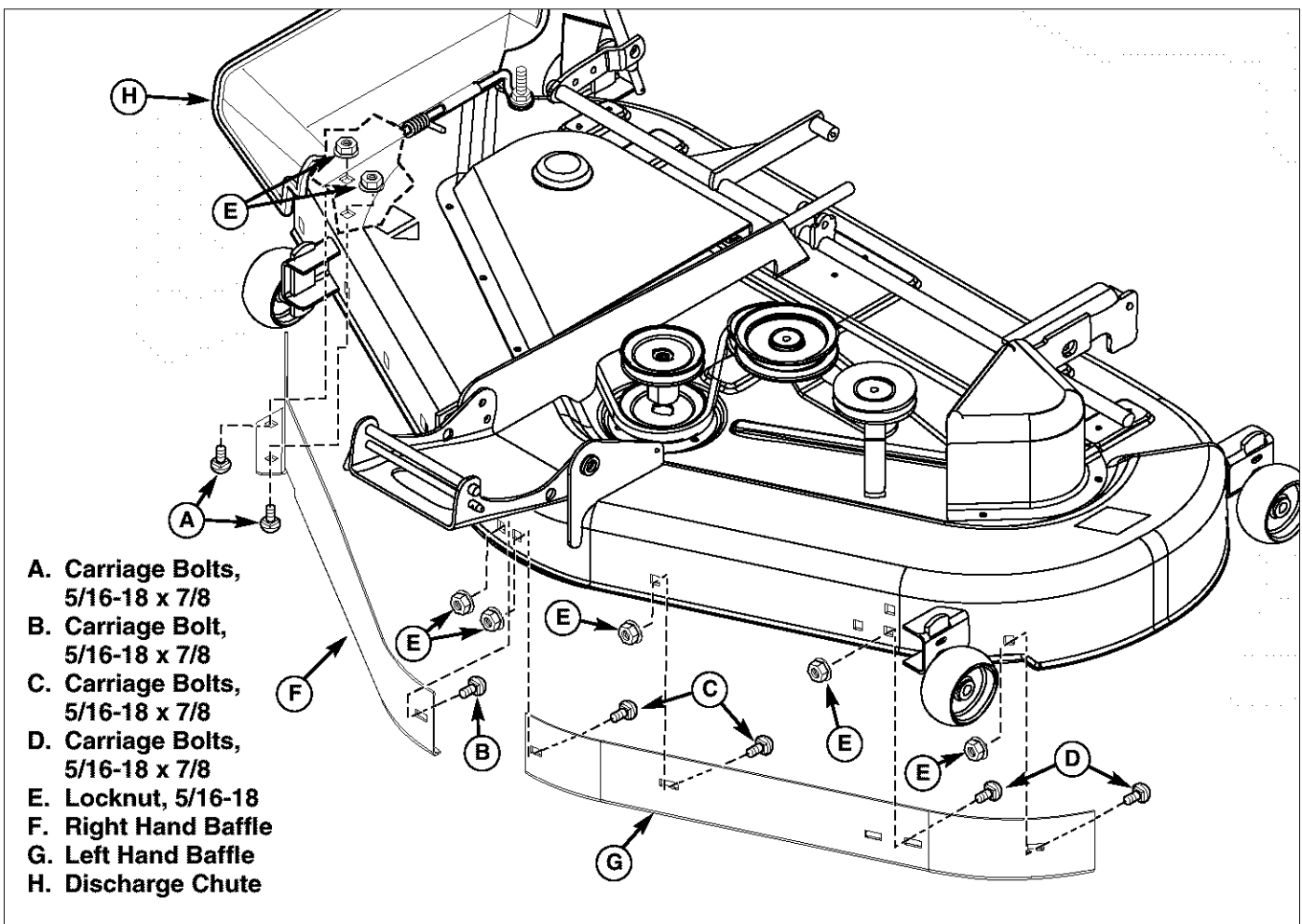
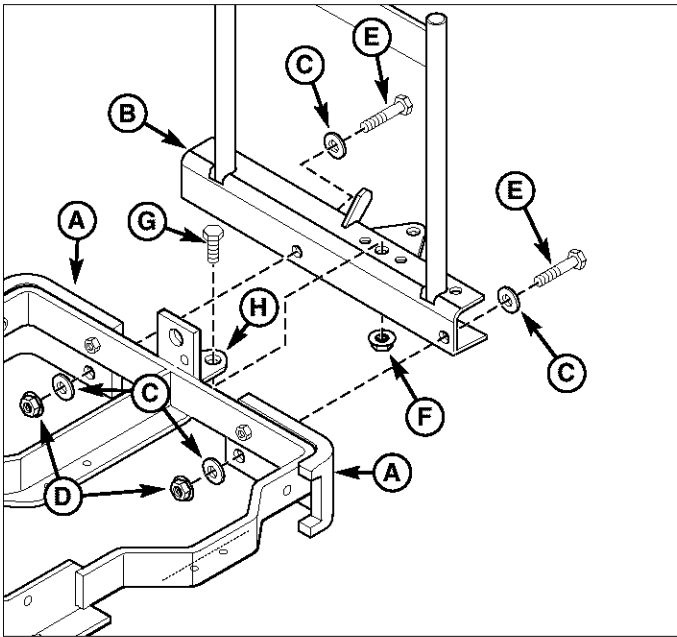


Figure 3. Baffle Assembly



**Figure 4. Install Hitch Assembly**

- A. Frame & Rear Weights**
- B. Hitch Assembly**
- C. Washers, 3/8**
- D. Locknuts, 3/8**
- E. Capscrews, Hex, 3/8-16 x 2**
- F. Locknut, 1/2-13**
- G. Capscrew, 1/2-13 x 1-1/4**
- H. Drawbar**

## HITCH & BAG SUPPORT INSTALLATION

### Hitch Installation

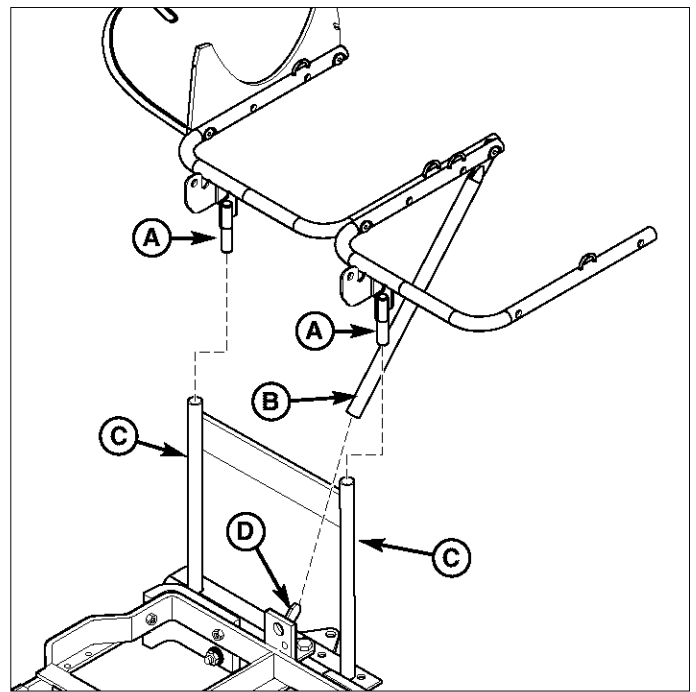
1. Attach hitch assembly (B, Figure 4) to frame & rear weights (A). Secure with 3/8-16 x 2 cap screws (E), washers (C) and 3/8-16 locknuts (D) as shown. Finger tighten at this time.
2. Install 1/2-13 x 1-1/4 cap screw (G) through drawbar (H) and tighten.
3. Tighten all hardware.

### Bag Support Installation

1. Set bag support tube (B, Figure 5) onto hitch assembly post (D).
2. Insert bag support posts (A) into hitch assembly tubes (C). Make sure that support posts insert completely into tubes.

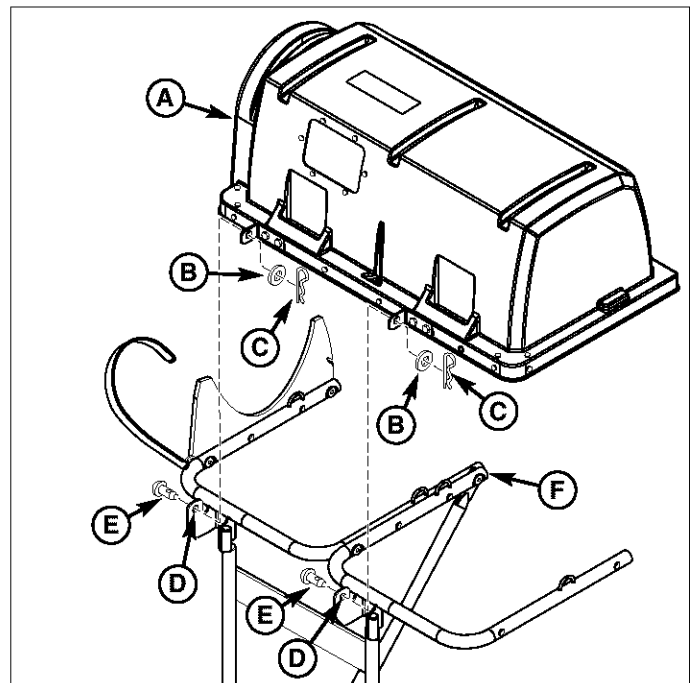
## HOPPER INSTALLATION

1. Attach the hopper top (A, Figure 6) to the bag support (F) by inserting clevis pins (E) through the bag support holes (D) and hopper top (A). Secure with washers (B) and hair pins (C). Make sure hopper brackets are to left of bag support brackets.



**Figure 5. Install Bag Support**

- A. Bag Support Posts**
- B. Bag Support Tube**
- C. Hitch Assembly Tubes**
- D. Hitch Assembly Post**



**Figure 6. Install Hopper Top**

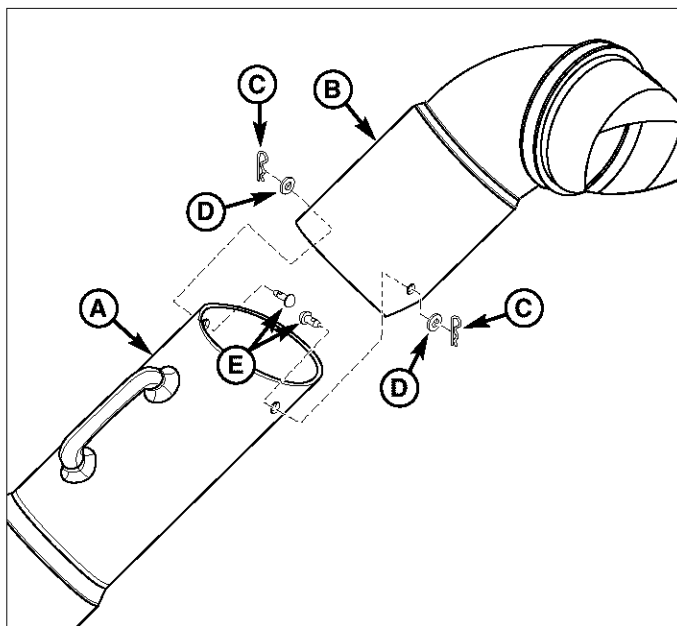
- A. Hopper Top**
- B. Washers, 1/2**
- C. Hair Pins**
- D. Bag Support Holes**
- E. Clevis Pins**
- F. Bag Support**

## CONNECTING TUBES

### Connecting Upper & Middle Tube

1. Attach upper tube (B, Figure 7) to middle tube (A) using clevis pins (E) as shown. Secure with washers (D) and hair pins (C).
2. Reach through upper tube (B) to insert clevis pins (E).

*Note: Pivoting the tubes on the clevis pins may give better access for connecting washers and pins.*

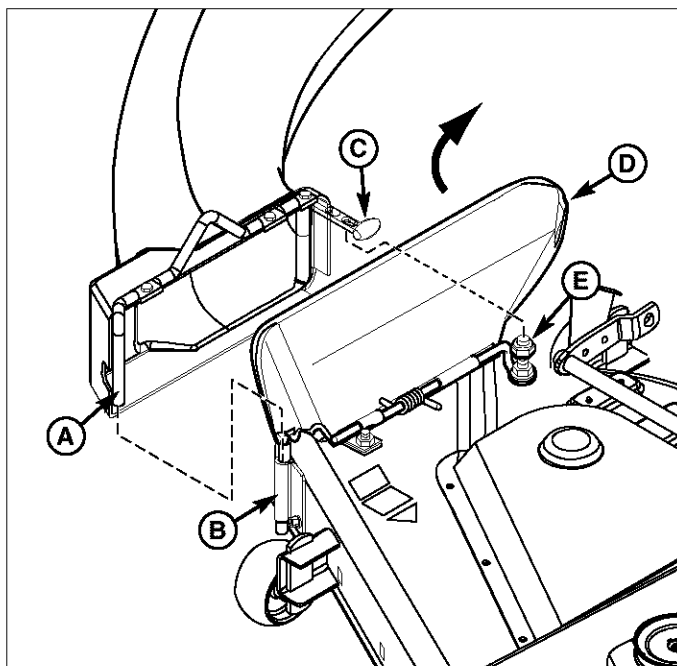


**Figure 7. Assemble Bagger Tubes**

- A. Middle Tube
- B. Upper Tube
- C. Hair Pins
- D. Washers
- E. Clevis Pins

### Lower Tube Installation

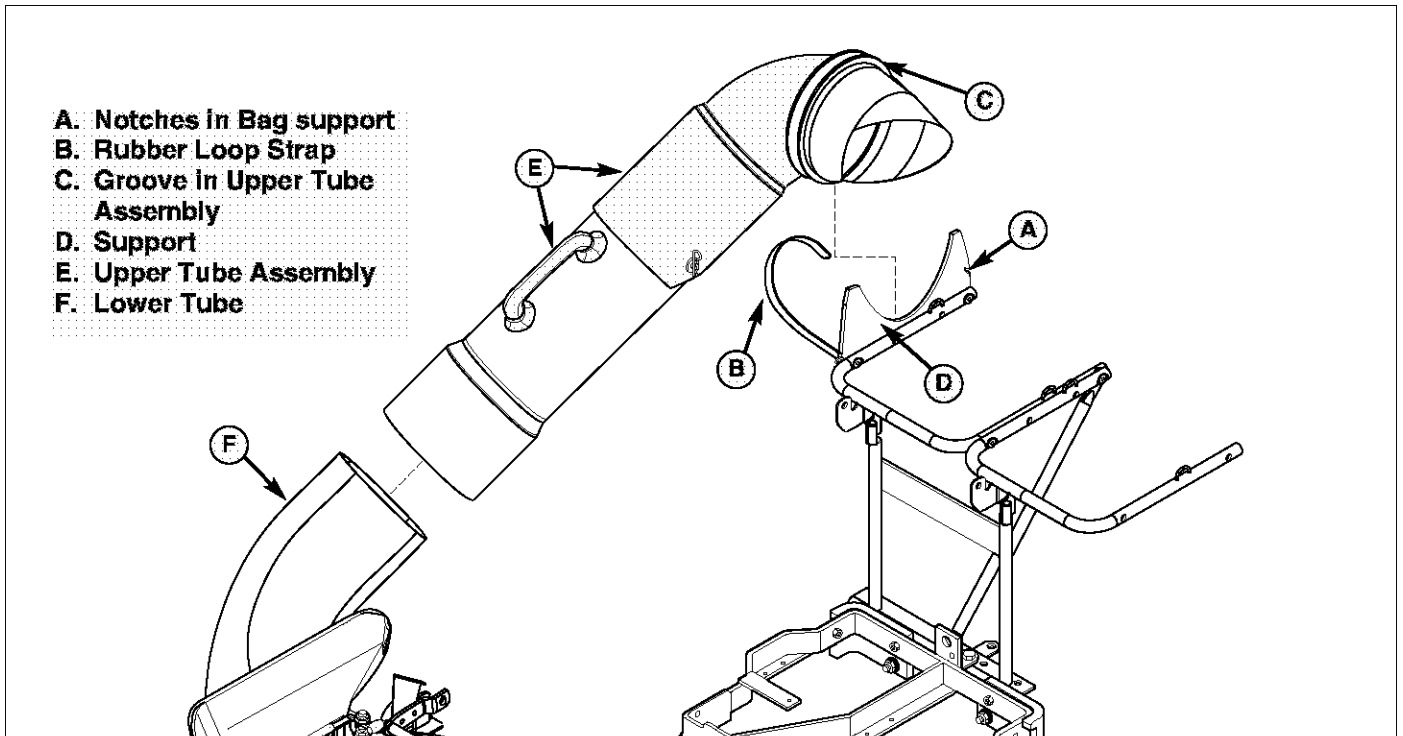
1. Lift discharge deflector up (D, Figure 8).
2. Insert lower chute rod (A) into mounting plate (B).
3. Pull rubber strap (C) and secure by placing hole closest to knob in strap completely over locknut (E).



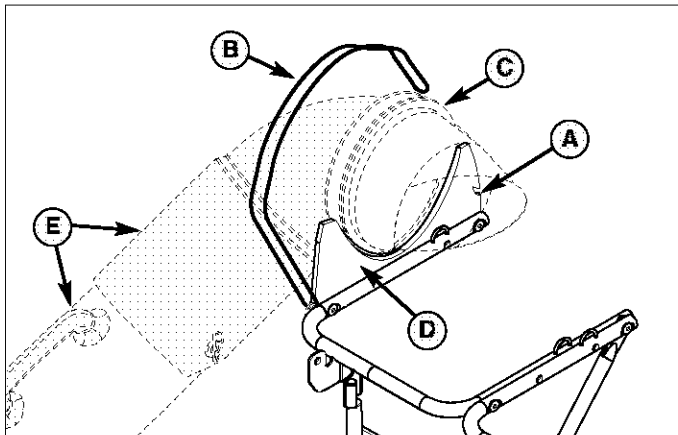
**Figure 8. Install Lower Tube**

- A. Lower Chute Rod
- B. Mounting Plate
- C. Rubber Strap
- D. Discharge Deflector
- E. Locknut





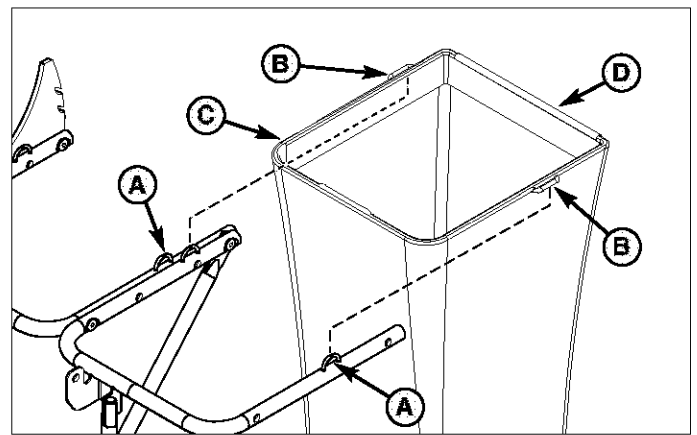
**Figure 9. Upper Tube Assembly Installation (Hopper Top Not Shown for Clarity.)**



**Figure 10. Upper Tube to Bag Support Installation**  
**A. Notches in Bag support**  
**B. Rubber Loop Strap**  
**C. Groove in Upper Tube Assembly**  
**D. Support**  
**E. Upper Tube Assembly**

**Tube Installation**

1. Set upper tube assembly (E, Figures 9 & 10) into bag support (D) so that upper tube assembly groove (C) rests in support (D). Pull rubber loop strap (B) through groove and secure into notch (A).
2. Slide upper tube assembly (E, Figure 9) onto lower tube (F).



**Figure 11. Bag Installation**  
**A. Bag Support Hoops**  
**B. Bag Hoops**  
**C. Bag**  
**D. White Bar**

**Bag Installation**

1. Install bag (C, Figure 11) with white bar (C) toward the rear. Set bag hoops (B) on bag support hoops (A) as shown. Repeat for other side.

**Closing and Opening the Hopper**

1. To increase ease of opening and closing hopper press latch located beneath center of hopper lid.

**IMPORTANT:** Reconnect spark plug before attempting to start ZT Rider.

# NORMAL INSTALLATION & REMOVAL

- A. Hitch Post
- B. Tube
- C. Posts
- D. Hitch Tubes
- E. Bag Support & Hopper
- F. Bag
- G. Support Hoops
- H. White Bar
- I. Bag Hoops
- J. Rubber Loop Strap
- K. Support
- L. Upper & Lower Tube
- M. Lower Tube
- N. Rubber Strap
- O. Nut & Capscrew
- P. Mounting Plate
- Q. Chute Rod
- R. Deflector
- S. Slot

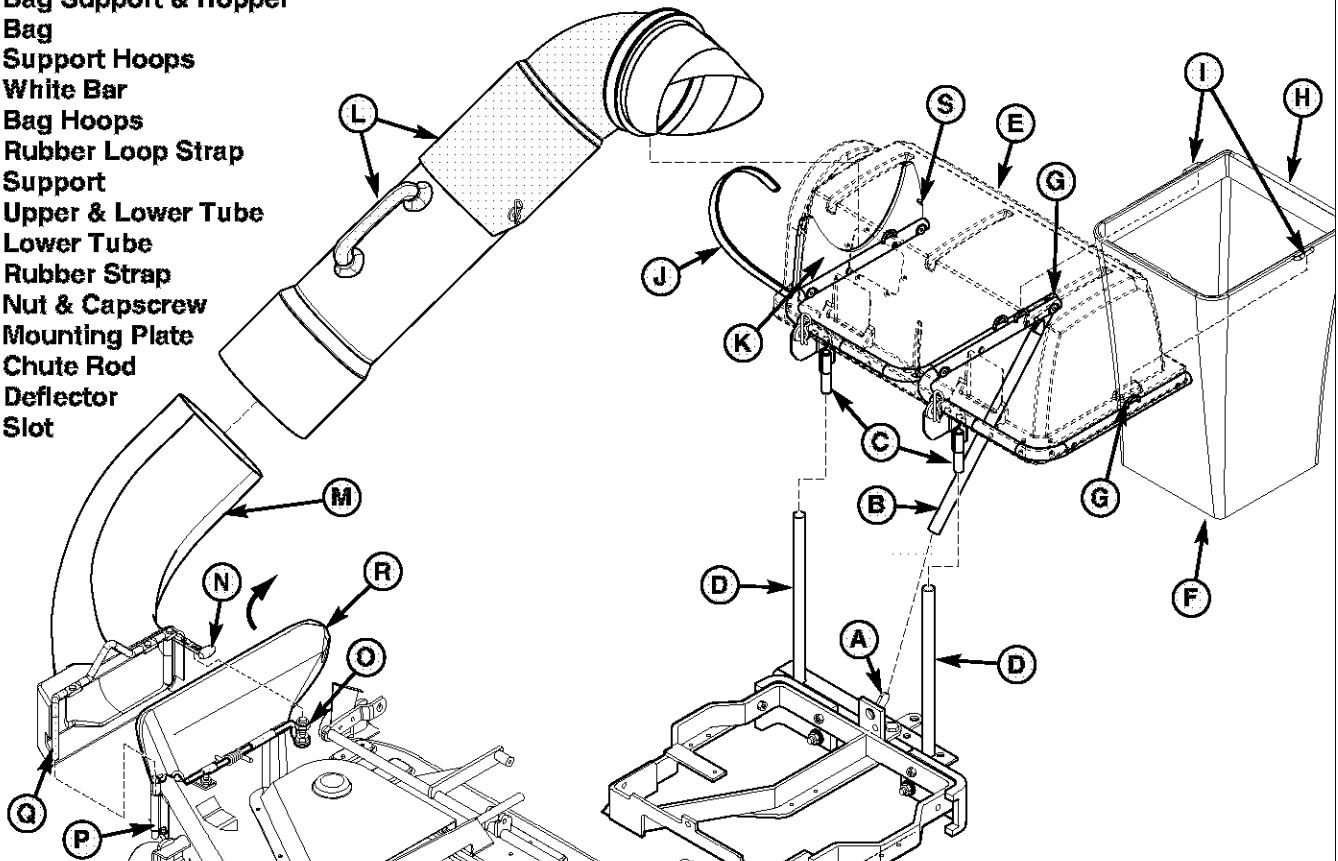


Figure 12. Normal Installation & Removal

## NORMAL INSTALLATION & REMOVAL

### Installation

NOTE: See previous pages for more detailed installation and operation instructions if necessary.

1. Mount the bag support & hopper (E, Figure 12) by inserting tube (B) over hitch post (A) and inserting posts (C) into hitch tubes (D).
2. Pivot bag support and hopper (E) up. Install bag (F) with white bar (H) towards the rear. Set bag hoops (I) on bag support hoops (G) as shown. Repeat for other side.
3. Install lower tube (M). Lift discharge deflector up (R). Insert lower chute rod (Q) into mounting plate (P). Pull rubber strap (N) and secure by placing hole closest to knob in strap completely over locknut and capscrew (O).
4. Slide upper & middle tube (L) over lower tube (M). Set upper & middle tube (L) onto support (K). Secure with rubber loop strap (J) by hooking it into slot (S).

## ⚠ WARNING

### OPERATION WITHOUT BAGGER

For operation without bagger, the mower discharge deflector **MUST** be properly installed in the down position and retained by the spring latch.

### Removal

1. Unhook rubber loop strap (J, Figure 12) from slot (S).
2. Remove upper & lower tube (L) from support (K) and lower tube (M).
3. Disconnect rubber strap (N) from locknut and capscrew (O). Remove lower tube (M) from bracket (P). See that discharge deflector (R) returns to the DOWN position.
4. Lift and remove bag support and hopper from hitch tubes (D) and the hitch post (A).

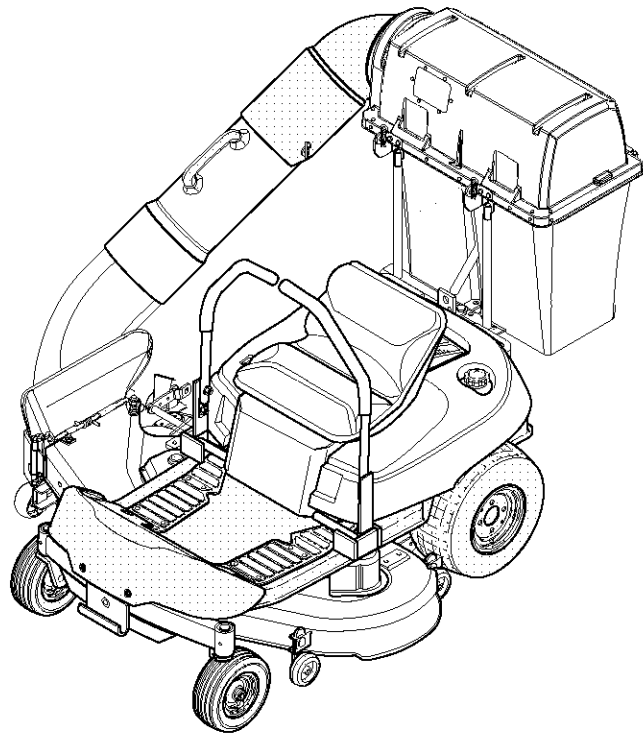
# Manual Del Dueño



## ZT 7000

## 2-HUCHA EMBOLSADORA

Modelo No.  
107.24907



**CAUTION:** Este producto tiene un motor con expulsión baja el cual funciona diferentemente a otros motores. Antes que arranque el motor, lea y comprenda el Manual del Dueño.

**IMPORTANT:** Lea y siga todas las reglas e intrucciones de seguridad antes de operar este equipo.

Para obtener respuestas a cualquier pregunta sobre este producto, llame al número de teléfono-(sin cobro) siguiente:

**1-800-659-5917**

**Servicio de ayuda Sears Craftsman**  
5 am - 5 pm, Lunes a Sabado

# ÍNDICE

Declaración de Garantía .....	12	Instalación y Remoción Normal .....	20
Reglas de Seguridad e Información para Unidades Montables.....	13	Ferretería Identificación y Torsión Especificación .....	Interior Cubierta Trasera
Instrucciones de operación para Embolsadora .....	14	Partes de Refacción.....	PTS-1
Ensamble e Instalación Inicial.....	15	Servicio Número de Teléfono .....	Cubierta Trasera

## GARANTÍA

### GARANTÍA LIMITADA DEL RECOLECTOR DE CÉSPED DE CRAFTSMAN

Por un (1) año a partir de la fecha de compra, si este recolector de césped de Craftsman es mantenido, lubricado y afinado conforme a las instrucciones de operación en el manual del propietario, Sears reparará o reemplazará sin costo alguno cualquier parte que se encuentre defectuosa en material o mano de obra.

#### ESTA GARANTÍA NO CUBRE:

- Artículos consumibles que se desgastan con el uso normal, lo que incluye entre otros las aspas y los sacos de la podadora.
- Las reparaciones necesarias por negligencia del operador, lo que incluye entre otros, no mantener el

equipo conforme a las instrucciones comprendidas en el manual del propietario.

- Embolsadora que se usa con fines comerciales o de alquiler..

EL SERVICIO DE GARANTÍA ESTÁ DISPONIBLE SI RETORNA EL RECOLECTOR DE CÉSPED DE CRAFTSMAN AL CENTRO O DEPARTAMENTO DE SERVICIO DE SEARS MÁS CERCANO A USTED EN LOS ESTADOS UNIDOS.

PARA AVERIGUAR CUÁL ES EL SEARS MÁS CERCANO A USTED, LE ROGAMOS QUE LLAME A 1-800-MY-HOME.

Esta garantía le otorga derechos legales específicos, pero es posible que usted tenga otros derechos, los cuales varían de un estado a otro.

Sears, Roebuck and Co., Dept. 817WA, Hoffman Estates, IL 60179

### FERRETERIA BOLSA

Descripción	Cantidad
<b>Reductor de Circulación de Aire Ferreteria</b>	
Tornillo de cabeza redonda, 5/16-18 x 5/8	7
Contratuerca estrellada, 5/16-18	7
<b>Embolsadora Ferreteria</b>	
Tornillo de cabeza redond, 5/16-18 x 5/8	2
Contratuerca estrellada, 5/16-18	2
Placa de montaje	1
Clavijas de seguridad	4
Arandela, 1/2	4
Horquillas	4
Contratuerca estrellada, 1/2-13	1
Tornillo hexagonal, 1/2-13 x 1-1/4	1
Arandela, 3/8	4
Contratuerca estrellada, 3/8-16	4
Tornillo hexagonal, 3/8-16 x 2	4

### TOOLS REQUIRED

Descripción	Cantidad
1/2" Llave	1
9/16" Llave	2
3/4" Llave	2

# REGLAS DE SEGURIDAD E INFORMACIÓN PARA EMBOLSADORA



Lea estas reglas de seguridad y síguelas con cuidado. No obedecer estas reglas puede resultar en la pérdida del control sobre la unidad, lesiones severas a la persona o la muerte de usted, o espectadores, o daños a la propiedad o al equipo.

El triángulo en el texto denota precauciones o advertencias importantes que deben seguirse.



## OPERACIÓN GENERAL

- Conozca los controles de la unidad y cómo detenerla rápidamente. **LEA EL MANUAL DEL OPERADOR.**
- Lea y obedezca todas las calcomanías de seguridad.
- Sólo permita que un adulto responsable, que esté familiarizado con las instrucciones, opere la unidad.
- Desacople el PTO. Apague el motor y permita que se detengan todas las partes en movimiento antes de anexar, ajustar o desconectar alguna parte del sistema de recolección.
- Compruebe que el sistema de recolección esté fijamente atornillado a la unidad.
- NO** opere la unidad sin el recolector completo de césped o con el deflector en su lugar.
- Apague el PTO para desactivar las aspas cuando no esté podando el césped.
- NO** pade el césped en reversa. Siempre mire hacia abajo y hacia atrás antes de echarse en reversa y mientras lo hace.
- NO** dé la vuelta abruptamente cuando anda en reversa junto a un edificio o algún objeto. Baje la velocidad antes de dar la vuelta.
- NO** lleve pasajeros.
- Cuando se quita el sistema de recolección de la cubierta de la podadora, debe instalar debidamente el deflector.
- Los sacos recolectores están propensos a deteriorarse y desgastarse durante el uso normal. Inspeccione el saco periódicamente para comprobar que no tenga rasgaduras, agujeros o puntos flacos y reemplácelo con un saco nuevo que cumpla con los estándares de durabilidad del fabricante.
- Si se atasca la podadora o se tapa el conducto del recolector:
  - Desacople el PTO;
  - Detenga el motor y quite la llave;
  - Ponga el freno de mano y espere a que se detengan todas las partes en movimiento.
  - Quite el objeto extraño o limpie el conducto con un pedazo de madera antes arrancar nuevamente el motor. **NUNCA ponga las manos en el RECOLECTOR O la caja de la PODADORA para quitar objetos atascados. La PODADORA puede girar al quitar el objeto.**
- Para dar mayor estabilidad y evitar que se vuelque o perder el control:
  - Use una velocidad más baja en terrenos desnivelados y al dar la vuelta en una esquina.
  - Reduzca la carga en las laderas. Se recomienda que no llene el sistema de recolección a más de la mitad cuando franquea una cuesta. Empiece a podar el césped en la cuesta con el sistema de recolección vacío.
  - Podar el césped de la cuesta de arriba hacia abajo y viceversa; nunca no de un lado al otro.**Nunca opere en cuestas mayores a 17.6% (10°).**

## CALCOMANÍAS DE SEGURIDAD

Esta unidad fue diseñada y fabricada para ofrecerle la seguridad y confiabilidad que usted esperaría de un líder en la industria de la fabricación de equipos motorizados para el exterior.

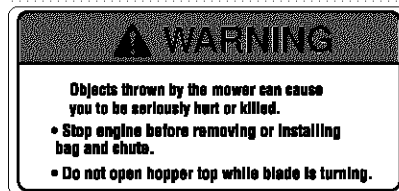
Aunque leer este manual y las medidas de seguridad que contiene le proporcionará el conocimiento básico necesario para operar este equipo sin percances y eficazmente, hemos colocado varias etiquetas de seguridad en la unidad para recordarle esta importante información mientras usted opera su unidad.

Debe leer cuidadosamente y acatar todos los mensajes de PELIGRO, ADVERTENCIA, PRECAUCIÓN y de instrucciones en su tractor, accesorios y podadora. No seguir las instrucciones puede resultar en lesiones personales al cuerpo. ¡La información es para su seguridad y es importante! Las calcomanías de seguridad aquí abajo están sobre su producto.

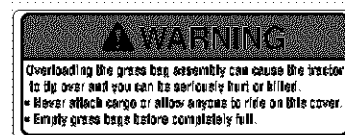
Si pierde o se daña alguna de estas calcomanías, reemplácelas inmediatamente. Busque a su distribuidor local para comprar repuestos.

Estas etiquetas son fáciles de aplicar y fungirán como constantes recordatorios visuales para usted, y otros que puedan llegar a usar el equipo, para que sigan las medidas de seguridad necesarias para una operación eficaz y sin percances..

### Calcomanías del accesorio

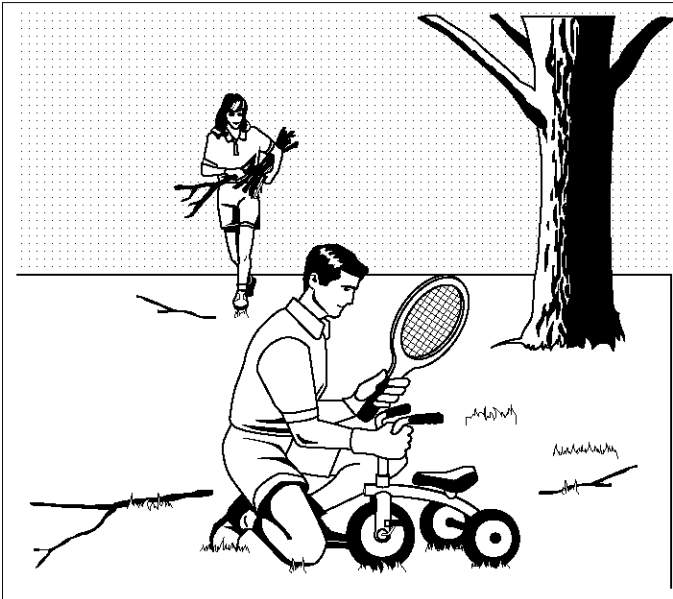


Calcomanía -  
ADVERTENCIA  
Arroja Objetos  
Número de parte  
1709248



Calcomanía -  
ADVERTENCIA No  
Sobrecargar  
Número de parte  
1704405

# INSTRUCCIONES DE OPERACIÓN PARA EMBOLSADORA



## ANTES DE LA OPERACIÓN

Elimine del jardín todos los palos, piedras, alambres y otros desechos que puedan quedar atrapados o ser arrojados por las aspas de la podadora.

Compruebe la condición del césped. Si está mojado, espere hasta más tarde. Si el césped está mojado, es probable que el recolector de césped se atasque.

**Para un embolsado eficiente, es muy importante la circulación de aire abajo de la cubierta de la podadora, por el conducto y hacia el saco.**

Por esta razón, ANTES DE EMPEZAR A PODAR EL CÉSPED asegúrese de que la parte inferior de la podadora y la parte inferior de la tapa del recolector estén libres de césped y desechos.

Asegúrese de que estén bien ajustados la cubierta de la podadora, la caja del soplador, los tubos y la tapa del recolector de césped.

## PODADO DEL CÉSPED CON EL RECOLECTOR

Siempre opere con el acelerador a toda velocidad al podar el césped.

El césped debe podarse con frecuencia y no demasiado corto. Si el césped está demasiado largo o frondoso podrá ser necesario mantener la velocidad al mínimo o cortar sólo la mitad del ancho de la podadora para evitar que se atore. Si el césped está largo, opere la podadora en posición de corte alto en la primera pasada, cortando de nuevo en una posición más baja en la segunda pasada.

**No abra la tapa con la podadora activada.**

Si sale una gran cantidad de césped cortado por debajo de la cubierta, es posible que esté tapado el tubo o que los sacos estén llenos: deje de podar el césped, detenga el montable, desacople el PTO, apague el motor y luego vacíe el recolector o limpie el tubo.

## ⚠️ ADVERTENCIA

**SIEMPRE** apague la unidad. Desacople el PTO, y permita que se detengan todas las partes en movimiento ANTES de desconectar o desmontar el tubo o vaciar el recolector. **SIEMPRE** apague la unidad. Desacople el PTO, y permita que se detengan todas las partes en movimiento ANTES de desconectar o desmontar el tubo o vaciar el recolector..

Antes de dejar el puesto del operador por cualquier razón, accione el freno de mano, desacople el PTO, detenga el motor y quite la llave.

Para reducir el peligro de un incendio, mantenga el motor, el tractor y la podadora libre de césped, hojas y aceite excesivo. No detenga ni estacione el tractor sobre hojas secas, césped o materiales combustibles.

Nunca opere en cuestas mayores a 10°.

## DESPUÉS DE LA OPERACIÓN

Quite todos los desechos de la pantalla en la parte inferior de la tapa. *Nota: La pantalla de la tapa puede quitarse parcialmente para limpiarla con mayor facilidad y debe hacerlo regularmente*

Debe quitar el tubos para limpiarlo.

Inspeccione los sacos para el césped para comprobar que no esté desgastado o dañado. Asegúrese de que estén bien ajustados la cubierta de la podadora, los tubos y la tapa del recolector de césped.

## ALMACENAR EL RECOLECTOR DE CÉSPED

### ⚠️ PRECAUCIÓN

No deje el césped en los contenedores de la embolsadora. Vacíe los contenedores después de cada uso y antes de almacenar la unidad. No hacerlo puede resultar en una combustión espontánea que puede convertirse en un incendio.

Limpie a conciencia el recolector de césped usando un detergente suave (otros productos pueden dañar el tubo). Quite todos los desechos de la pantalla en la parte inferior de la tapa.

Si se ha rayado la pintura en las partes metálicas, retóquelas con pintura, o aplique una capa delgada de aceite para evitar que se oxiden.

Guárdela en un área seca. Séquela a conciencia antes de guardarla por un periodo largo de tiempo. Guárdela lejos de la humedad.

# ENSAMBLE E INSTALACIÓN INICIAL

NOTA: En este manual, "izquierda" y "derecha" se refieren según como se vea desde la posición de operación.

## REMOCIÓN DEL REDUCTOR DE CIRCULACIÓN DE AIRE

### ⚠ ADVERTENCIA

Accione el freno de mano, desacople el PTO, detenga el motor y quite la llave antes de intentar instalar o quitar la podadora o trabajar en ella.

1. Quite y descarte las contratuercas estrelladas de 3/8-16 (A, Figura 1) y los tornillo de cabeza redonda de 3/8-16 x 7/8 (B).
2. Quite y descarte el reductor de circulación de aire viejo. (C). El reductor de circulación de aire (C) se reemplaza permanentemente con los reductores de circulación de aire incluidos con este accesorio.

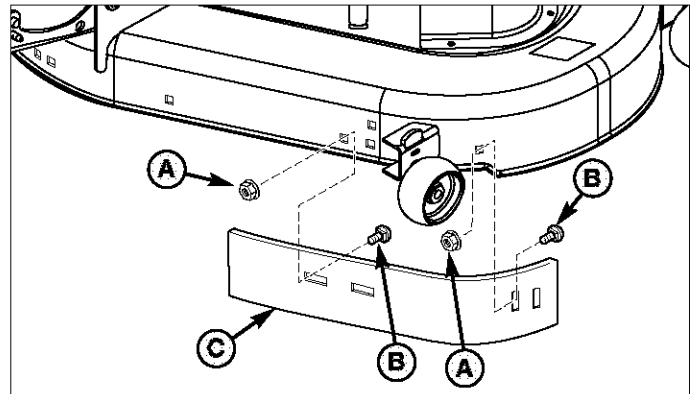


Figura 1. Remoción del Reductor de Circulación de Aire

- A. Contratuerca estrellada, 3/8-16
- B. Tornillo de cabeza redonda, 3/8-16 x 7/8
- C. Reductor de circulación de aire

## INSTALACIÓN DE LA PLACA DE MONTAJE

1. Instale la placa de montaje (A, Figura 2) a la cubierta de la podadora como se muestra. Sujétela con los tornillos de cabeza redonda de 5/16-18 x 5/8 (C) y las contratuercas estrelladas de 5/16-18 (A).

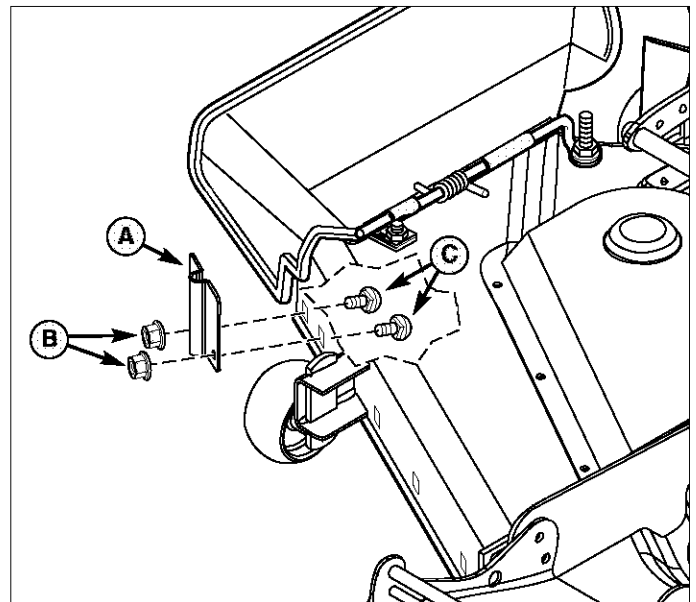


Figura 2. Instalación de la Placa de Montaje

- A. Placa de montaje
- B. Contratuercas estrelladas, 5/16-18
- C. Tornillos de cabeza redonda, 5/16-18 x 5/8

## INSTALACIÓN DEL REDUCTOR DE CIRCULACIÓN DE AIRE

1. Apriete los tornillos de cabeza redonda (A, Figura 3) y las tuercas (E) del reductor de circulación de aire (F).
2. Apriete los tornillos de cabeza redonda (B) y las tuercas (E) del reductor de circulación de aire (F).
3. Apriete los tornillos de cabeza redonda (C) y las tuercas (E) del reductor de circulación de aire (G).
4. Apriete los tornillos de cabeza redonda (D) y las tuercas (E) del reductor de circulación de aire (G).

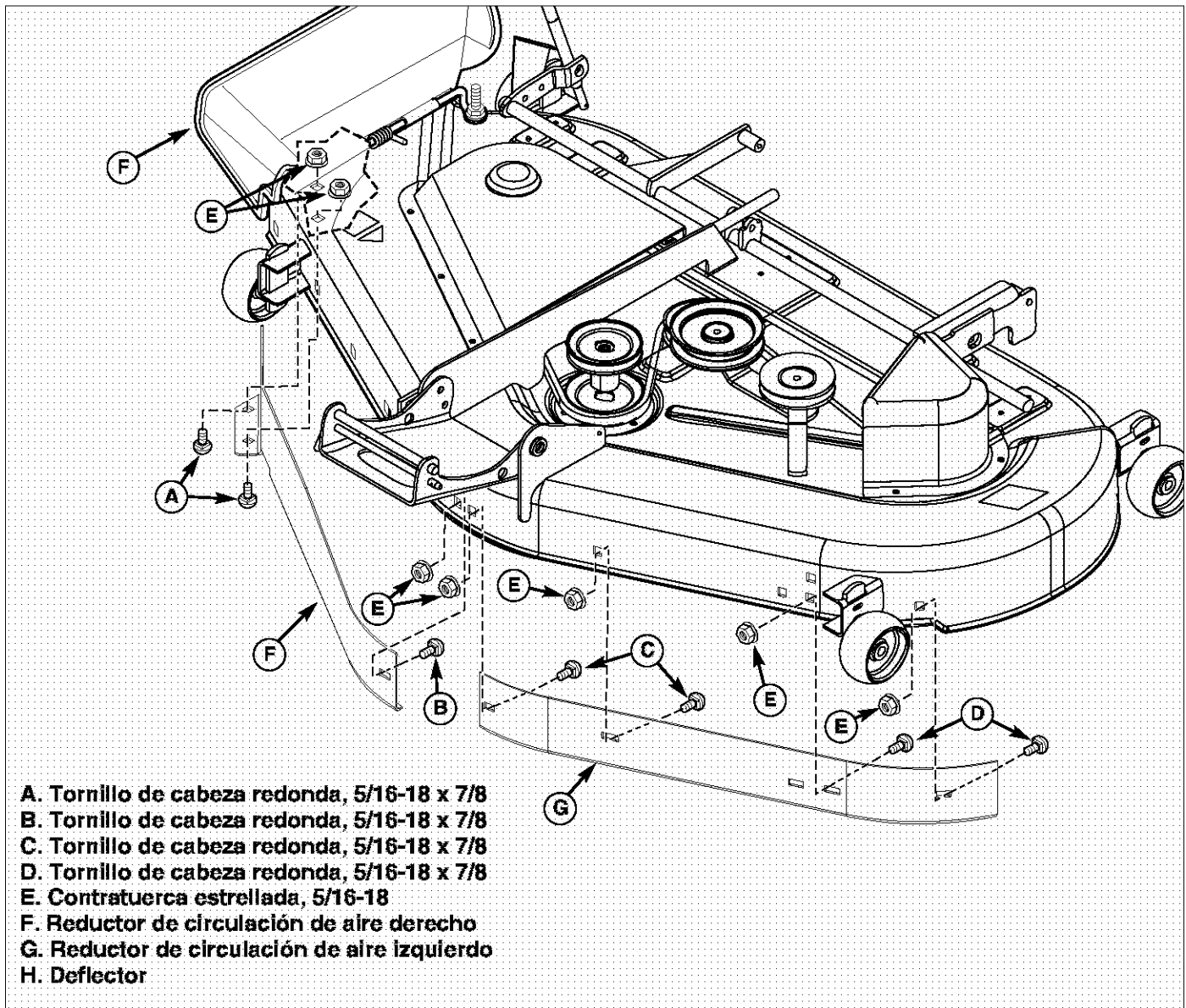
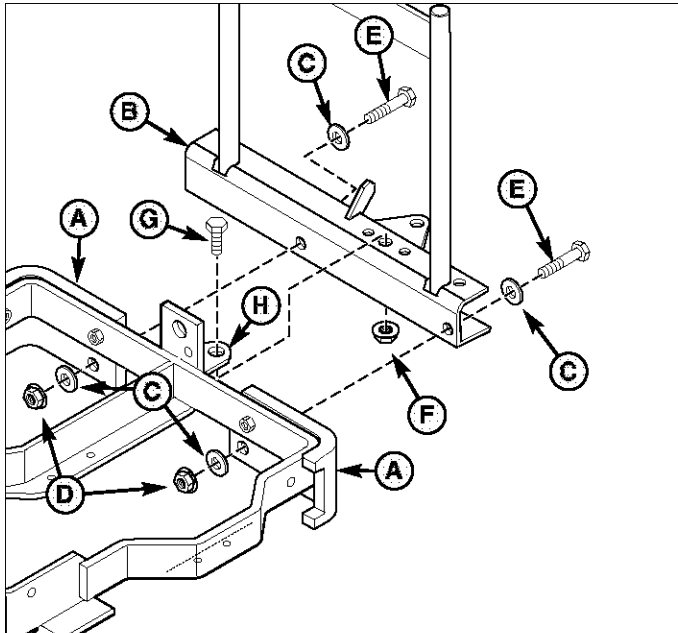


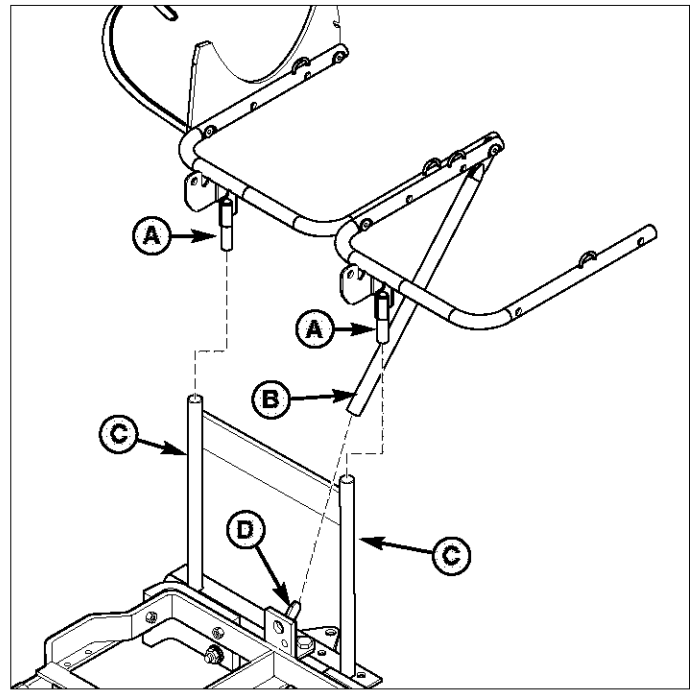
Figura 3. Ensamblaje del Reductor de Circulación de Aire





**Figura 4. Instalación del Sistema de Enganche**

- A. Bastidor y pesos traseros**
- B. Sistema de enganche**
- C. Arandela, 3/8**
- D. Contratuerca estrellada, 3/8**
- E. Tornillo de cabeza hexagonal, 3/8-16 x 2**
- F. Contratuerca estrellada, 1/2-13**
- G. Tornillo de cabeza hexagonal, 1/2-13 x 1-1/4**
- H. Barra de enganche**



**Figura 5. Instalación de Soporte para Saco**

- A. Poste de soporte para saco**
- B. Tubo de soporte para saco**
- C. Tubos del sistema de enganche**
- D. Poste del sistema de enganche**
- E. Conexión de perno**

## INSTALACIÓN DEL SOPORTE PARA ENGANCHE Y SACO

### Instalación del soporte para Enganche

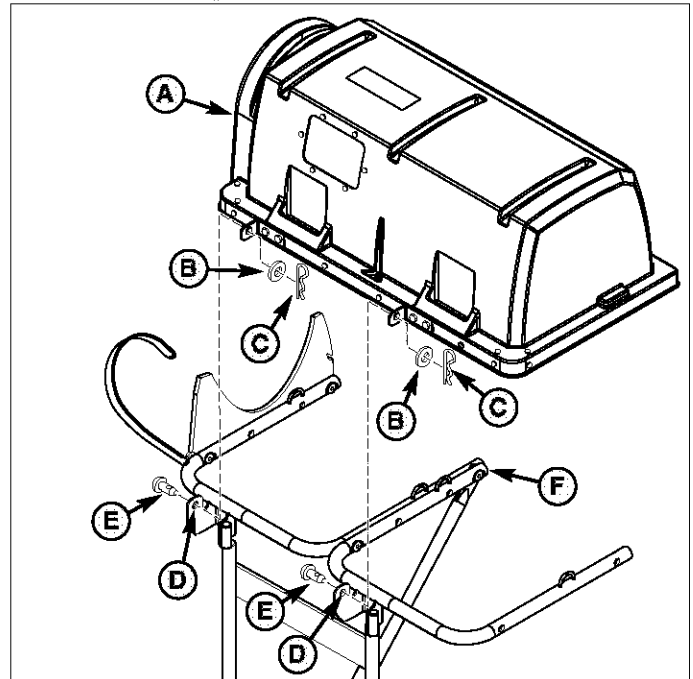
1. Sujete el sistema de enganche (B, Figura 4) al bastidor y a los pesos traseros (A). Fíjelo con los tornillos de cabeza hexagonal de 3/8-16 x 2 (E), las arandelas (C) y las contratuercas estrelladas de 3/8-16 (D) como se muestra. Apriete manualmente por el momento.
2. Instale el tornillo de cabeza hexagonal de 1/2-13 x 1-1/4 (G) pasándolo por la barra de enganche (H) y apriételo.
3. Apriete todos los componentes..

### Instalación del Soporte para Saco

1. Coloque el tubo del soporte para saco (B, Figura 5) sobre el poste del sistema de enganche (D).
2. Inserte los postes del soporte para saco (A) por los tubos del sistema de enganche (C). Si los postes no están alineados, ponga un calce en la conexión del perno (E).

## INSTALACIÓN DE LA TOLVA

1. Sujete la cubierta de la tolva (A, Figura 6) al soporte para saco (F) insertando las clavijas de seguridad (E) por los orificios del soporte para saco (D) y por la cubierta de la tolva (A). Sujételas con las arandelas (B) y las horquillas (C).



**Figura 6. Instalación de Cubierta de la Tolva**

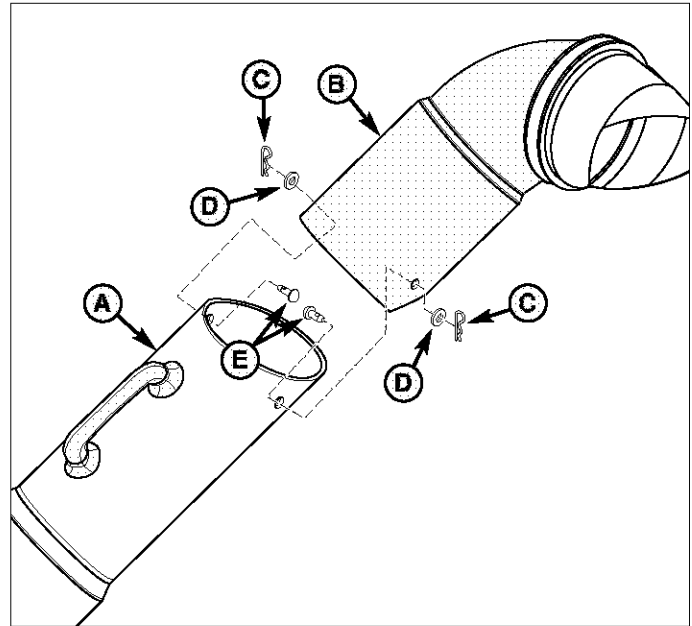
- A. Cubierta de la tolva**
- B. Arandelas, 1/2**
- C. Horquillas**
- D. Orificios de soporte para saco**
- E. Clavijas de seguridad**
- F. Soporte para saco**

## TUBOS DE CONEXIÓN

### Conexión de Tubo Superior y Medio

1. Sujete el tubo superior (B, Figura 7) al tubo medio (A) usando las clavijas de seguridad (E) como se muestra. Sujételo con las arandelas (D) y las horquillas (C)

*Nota: Montar los tubos sobre las clavijas de seguridad puede ayudarle a ganar acceso a los componentes de conexión.*

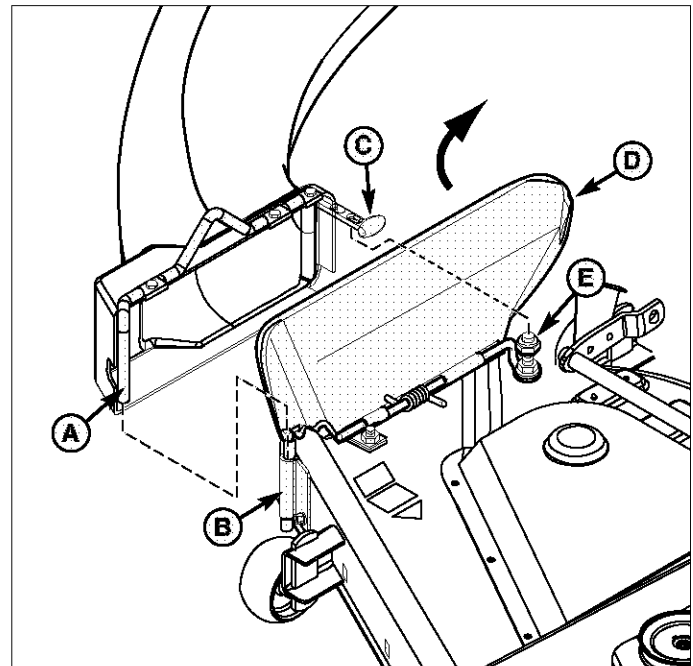


**Figura 7. Ensamble de Bastidor del Recolector**

- A. Tubo medio
- B. Tubo superior
- C. Horquillas
- D. Arandelas
- E. Clavijas de seguridad

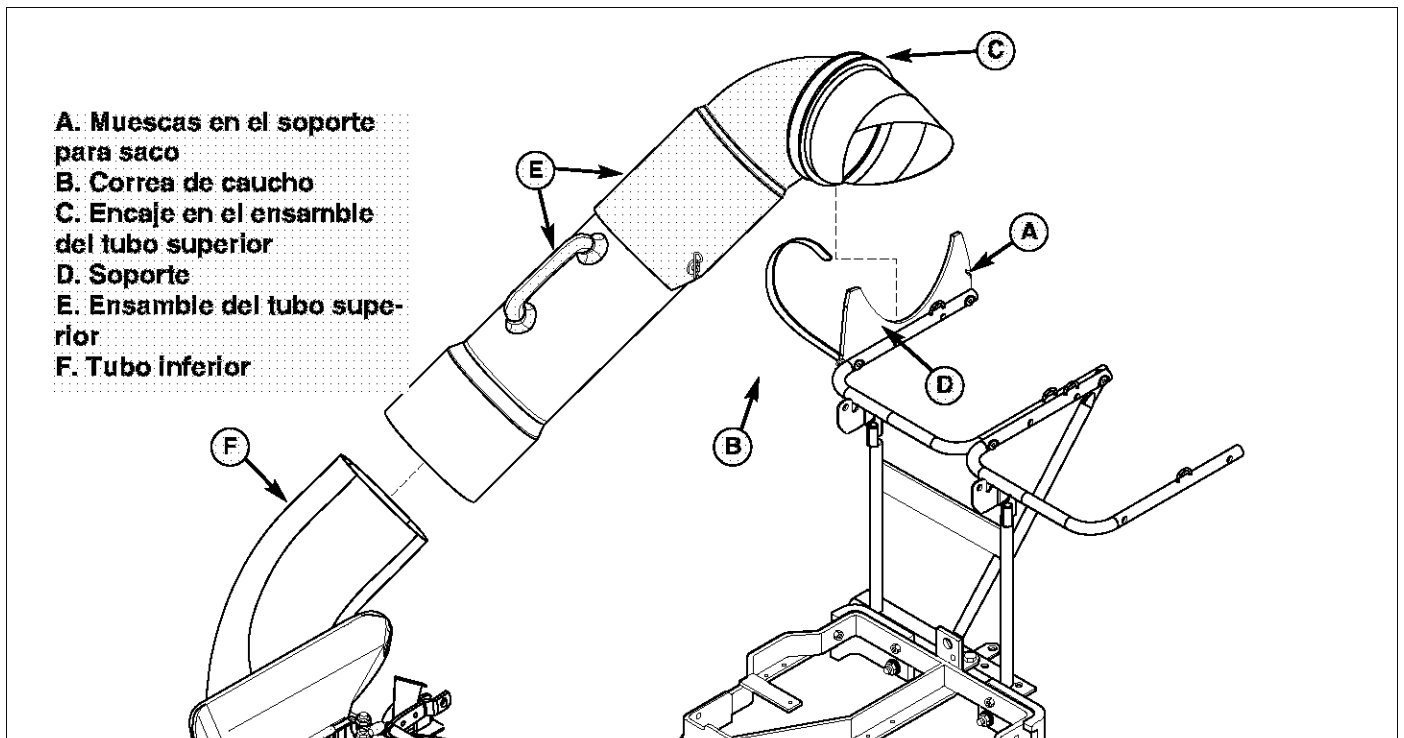
### Instalación del Tubo Inferior

1. Levante el deflector de descarga (D, Figura 8).
2. Inserte el vástago del conducto inferior (A) en la placa de montaje (B).
3. Jale la correa de caucho (C) y fíjela colocando el orificio más cercano al pomo en la correa completamente sobre la contratuerca estrellada (E).

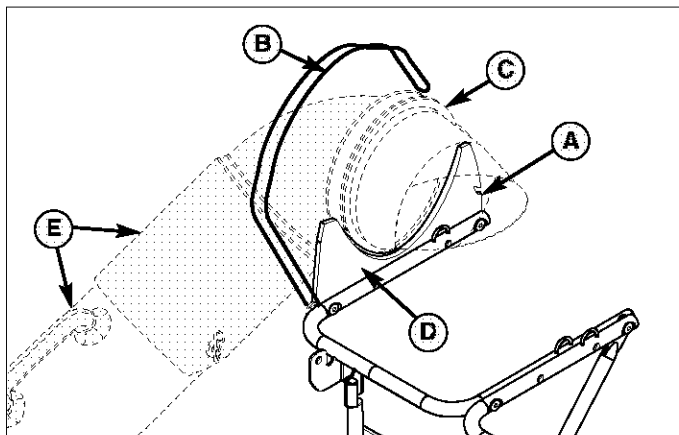


**Figura 8. Instalación del Tubo Inferior**

- A. Vástago de conducto inferior
- B. Placa de montaje
- C. Correa de caucho
- D. Deflector de descarga
- E. Contratuerca estrellada



**Figura 9. Instalación de ensamblaje del Tubo Superior**

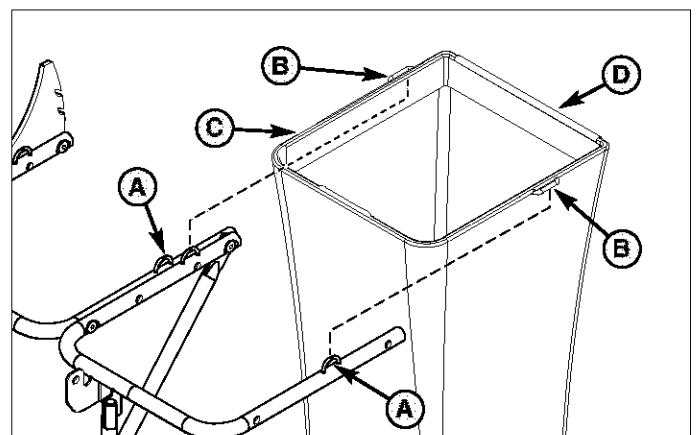


**Figura 10. Instalación de Tubo Superior en el Soporte para Saco**

- A. Muestras en el soporte para saco**  
**B. Correa de caucho**  
**C. Encaje en el ensamblaje del tubo superior**  
**D. Soporte**  
**E. Ensamblaje del tubo superior**

**Instalación del Tubo**

1. Coloque el ensamblaje del tubo superior (E, Figuras 9 & 10) en el soporte para saco (D) de modo que la ranura en el ensamblaje del tubo superior (C) se encuentra en ambos lados del soporte. Fíjelo con la correa de caucho (B) en la muesca (A)
2. Deslice el ensamblaje del tubo superior (E, Figura 9) sobre el tubo inferior (F).



**Instalación del Saco**

1. Instale el saco (C, Figura 11) con el blanco tubo (C) hacia el criar. Coloque los aros del saco (B) sobre los aros del soporte para saco (A) como se muestra. Repita la operación en el otro lado.

# INSTALACIÓN Y REMOCIÓN NORMAL

A. Poste del enganche  
B. Tubo  
C. Postes  
D. Tubos del enganche  
E. Soporte para Saco y Tolva

F. Saco  
G. Aros del soporte  
H. Blanco Tubo  
I. Aros del saco  
J. Correa de caucho  
K. Soporte

L. Tubos superior e inferior  
M. Tubo inferior  
N. Correa de caucho  
O. Tuerca y tornillo de cabeza hexagonal

P. Placa de montaje  
Q. Vástago de conducto  
R. Deflector  
S. Ranura

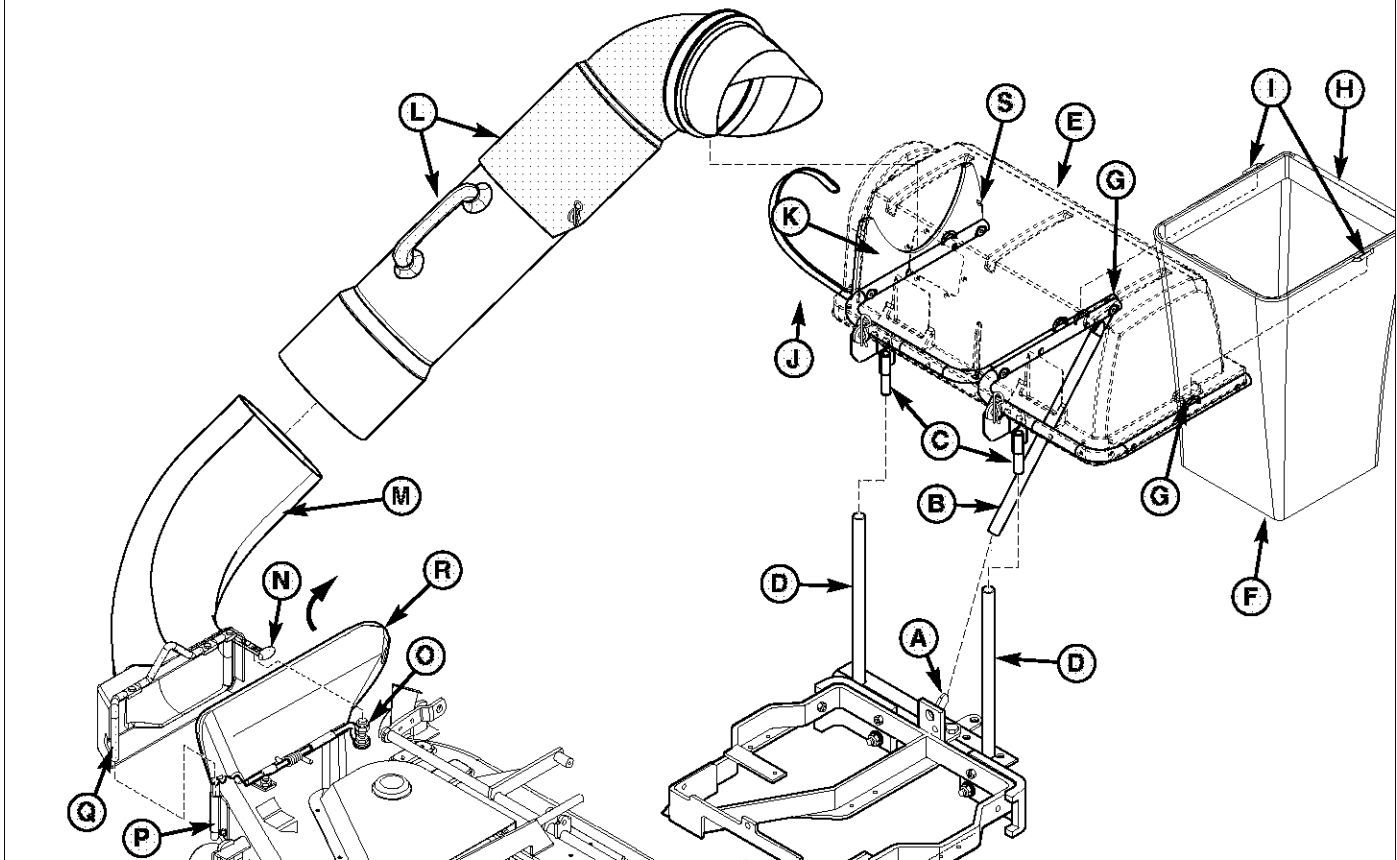


Figura 12. Remoción e Instalación Normal

## INSTALACIÓN Y REMOCIÓN NORMAL

### Instalación

1. Instale el soporte para saco y la tolva (E, Figura 12) insertando el tubo (B) sobre el poste del enganche (A) e insertando los postes (C) en los tubos del enganche (D).
2. Monte el soporte para saco y la tolva (E). Instale el saco (F) con el aro de levantamiento (H) hacia el frente. Coloque los aros del saco (I) sobre los aros del soporte para saco (G) como se muestra. Repita la operación en el otro lado.
3. Instale el tubo inferior (M). Levante el deflector de descarga (R). Inserte el vástago del conducto inferior (Q) en la placa de montaje (P). Jale la correa de caucho (N) y fíjela colocando el orificio más cercano al pomo en la correa completamente sobre la contratuerca estrellada y el tornillo de cabeza hexagonal (O).
4. Deslice el tubo superior y medio (L) sobre el tubo inferior (M). Coloque el tubo superior y medio (L) sobre el soporte (K). Fíjelos con la correa de caucho (J) enganchándola en la ranura (S).

## ⚠️ ADVERTENCIA

### OPERACIÓN SIN RECOLECTOR

Para operar sin embolsadora, el deflector de la podadora DEBE ESTAR debidamente instalado en la posición inferior y ser retenido por el pestillo de resorte.

### Remoción

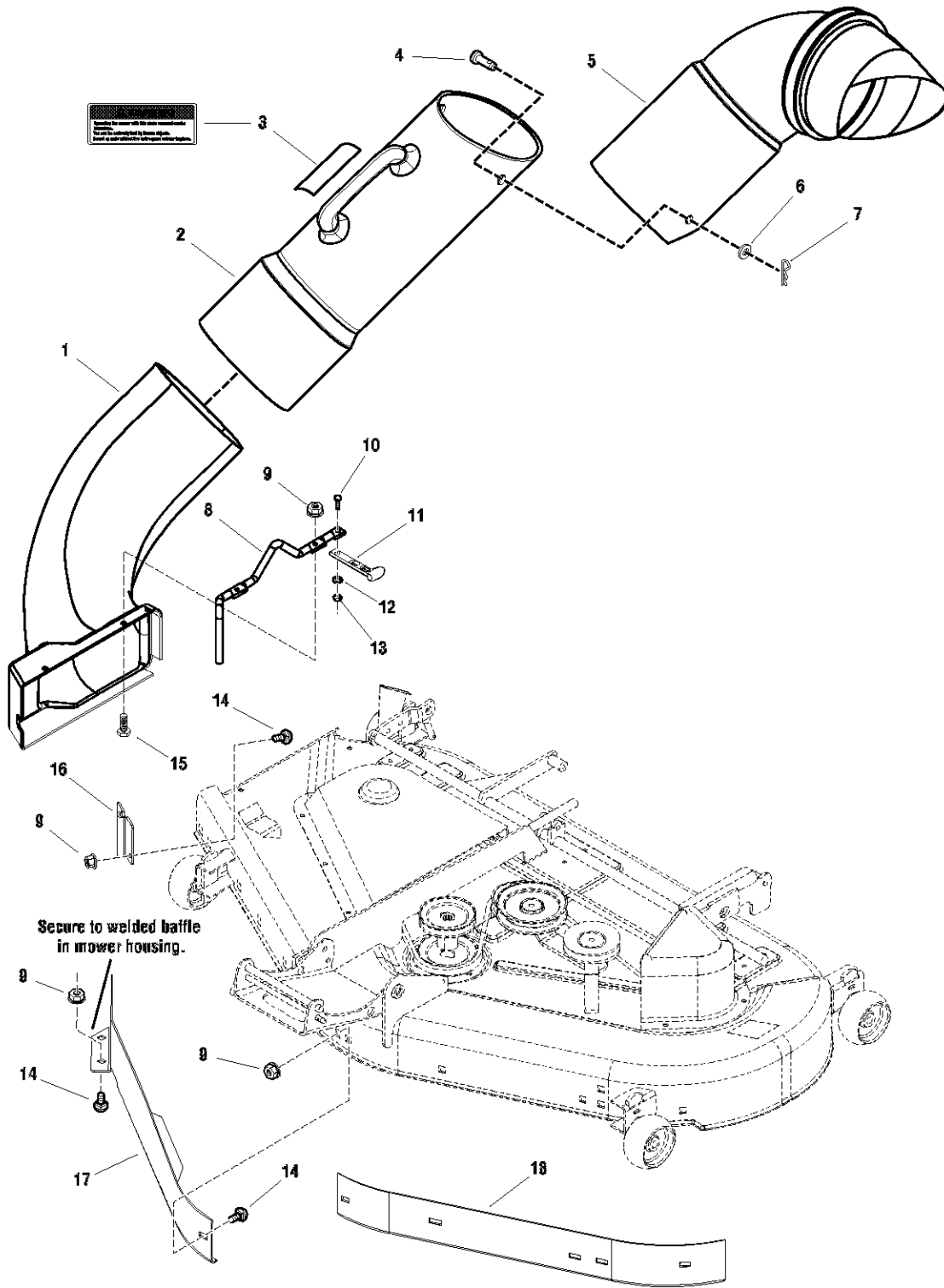
1. Desenganche la correa de caucho (J, Figura 12) de la ranura (S).
2. Quite los tubos superior e inferior (L) del soporte (K) y del tubo inferior (M).
3. Desacople la correa de caucho (N) de la contratuerca estrellada y del tornillo de cabeza hexagonal (O). Quite el tubo inferior (M) del collar de fijación (P). Vea que el deflector (R) regrese a la posición de ABAJO.
4. Levante y quite el soporte para saco y la tolva de los tubos de enganche (D) y el poste de enganche (A).

# **Repair Parts**

# Chute & Baffles Group

ZT 7000 2-Bin Bagger - Model No. 107.24907

NOTE: Unless noted otherwise, use the standard hardware torque specification chart.

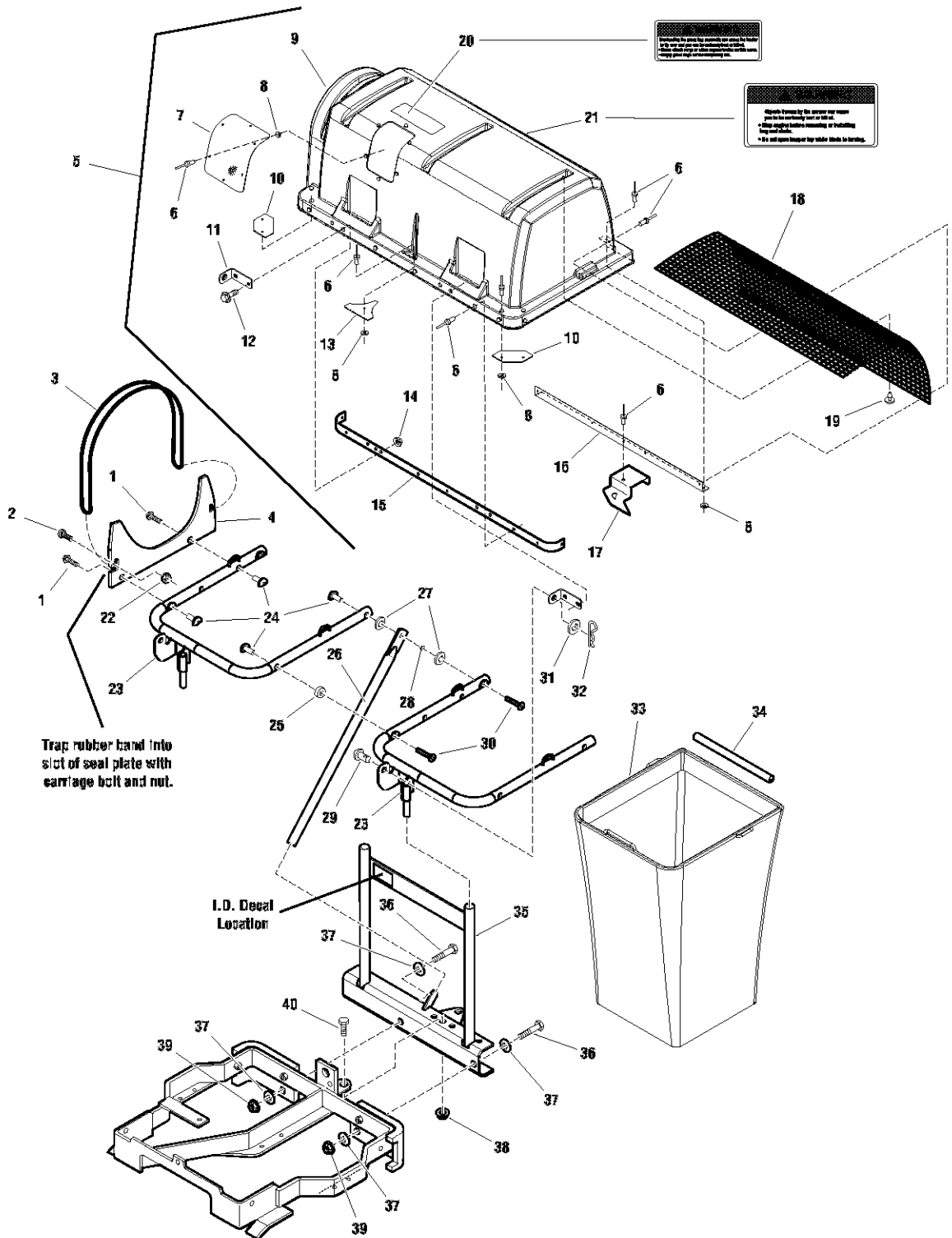


**Chute & Baffles Group****ZT 7000 2-Bin Bagger - Model No. 107.24907**

<b>REF NO.</b>	<b>PART NO.</b>	<b>QTY.</b>	<b>DESCRIPTION</b>
1	1726359	1	ADAPTER, Lower Chute
2	1726360	1	CHUTE, Grass Catcher Middle
3	1709249	1	DECAL, Warning Operating Mower Without Chute
4	1672365	2	PIN, Round Head Drilled, 1/2 x 1
5	1726361	1	CHUTE, Grass Catcher Upper Elbow
6	1960170	2	WASHER, 1/2
7	1960074	2	CLIP, Hair Pin, Spring Wire
8	1726577	1	ROD, Chute Mounting
9	1927557	11	NUT, Hex Flange Whiz Lock, 5/16-18
10	1960393	1	SCREW, Pan Head Phillips, #10-24 x 1
11	171600	1	STRAP, Black Rubber, 4-13/16 Long
12	1960096	1	WASHER, 3/16
13	1933896	1	NUT, Hex Lock with Nylon Insert, 10-24 NC3B
14	1921332	9	CARRIAGE BOLT, Hex Head, 5/16-18 x 5/8 G5
15	1923325	2	CAPSCREW, Hex Head, 5/16-18 x 7/8 G5
16	1726578	1	PLATE, Chute Rod Mounting
17	1726364	1	BAFFLE, Blowout RH
18	1716870	1	BAFFLE, Blowout LH

**Footnotes**

**NOTE:** Unless noted otherwise, use the standard hardware torque specification chart.





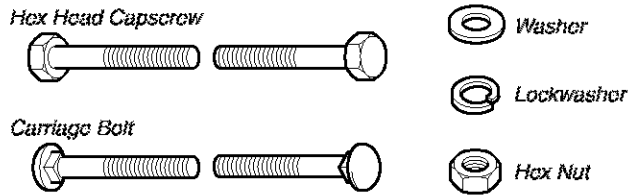
**Hopper, Bag & Hitch Group****ZT 7000 2-Bin Bagger - Model No. 107.24907**

<b>REF NO.</b>	<b>PART NO.</b>	<b>QTY.</b>	<b>DESCRIPTION</b>
1	1960667	2	CAPSCREW, Hex Flange Whiz Lock, Dog Point, 5/16-18 x 1
2	1931332	1	CARRIAGE BOLT, 5/16-18 x 5/8 G5
3	1665872	1	STRAP, Black Rubber
4	1726812	1	PLATE, Hopper Elbow Seal
5	1726362	1	HOPPER TOP ASSEMBLY, (Includes Ref. Nos. 6, 7, 8, 9, 10, 11, 12, 13, 14, 15, 16, 17, 18 & 19)
6	1673320	26	RIVET, Pop
7	1679819	1	WINDOW, Clear PVC
8	1910531	11	WASHER, Rivet, 3/16
9	1726363	1	TOP, Hopper Black Plastic
10	1679568	2	SEAL, Corner, Black Rubber
11	1726544	2	HINGE, Hopper Top
12	1930594	4	CAPSCREW, Hex Flange Whiz Lock, 1/4-20 x 3/4
13	1679569	1	SEAL, Center, Black Rubber
14	1960694	4	NUT, Hex Flange, 1/4-20 ESNA
15	1726548	1	STIFFENER, Front Hopper
16	1679908	1	STIFFENER, Rear, 24-13/16 Long
17	1726545	1	LATCH, Hopper
18	1716561	1	SCREEN, 1/4 Mesh, 20 x 28
19	1679599	6	RETAINER, Screen, Nylon Push In Type
20	1709254	1	DECAL, Warning Overloading the Grass Bag
21	1709248	1	DECAL, Warning Objects Thrown by Mower
22	1960686	1	NUT, Hex Flange, 5/16-18 ESNA
23	1726480	2	PIPE & SHAFT ASSEMBLY, Support Grass Catcher
24	1726616	4	NUT, Pipe 5/16-18
25	1667811	1	SPACER, 5/16
26	1726479	1	BRACE, Tube Center
27	1924874	2	WASHER, 5/16
28	1666697	1	SPACER, 7/32
29	1672365	2	PIN, Round Head Drilled, 1/2 x 1
30	960718	2	SCREW, Hex Flat Head, 5/16-18 x 2
31	1960170	2	WASHER, 1/2
32	1960074	2	CLIP, Hair Pin Spring Wire, 1-5/8
33	1726367	2	BAG & RIM ASSEMBLY, Grass Catcher
34	1700864	2	EDGING, 13-1/8 Long, PVC Tube White
35	1726475	1	HITCH ASSEMBLY, Grass Catcher
36	1923701	2	CAPSCREW, Hex Head, 3/8-16 x 2 G5
37	1922755	4	WASHER, 3/8
38	1930644	1	NUT, Hex Flange Two-Way Lock, 1/2-13
39	1960687	2	NUT, Hex Flange, 3/8-16 ESNA
40	1921176	1	CAPSCREW, Hex Head, 1/2-13 x 1-1/4 G5

**Footnotes**

# HARDWARE IDENTIFICATION & TORQUE SPECIFICATIONS

## Common Hardware Types

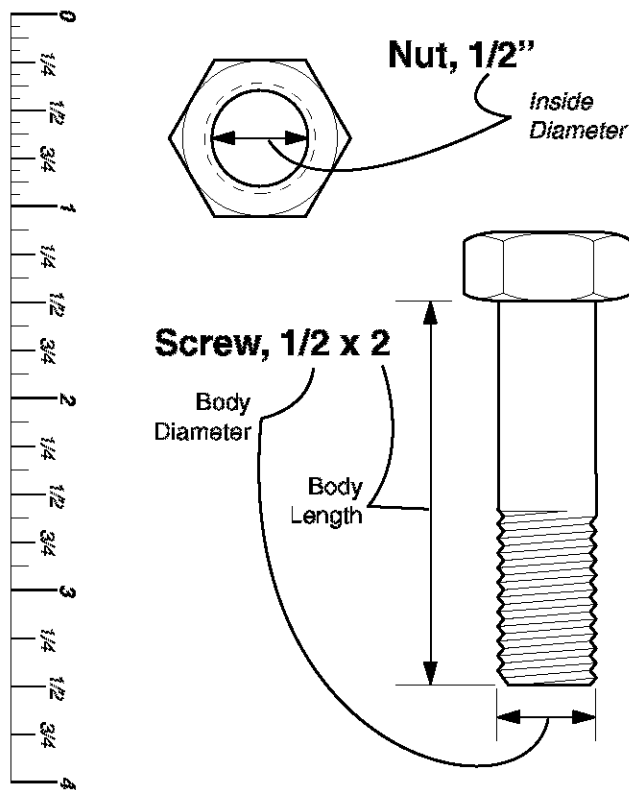


## Standard Hardware Sizing

When a washer or nut is identified as 1/2", this is the *Nominal size*, meaning the *inside diameter* is 1/2 inch; if a second number is present it represents the *threads per inch*

When bolt or capscrew is identified as 1/2 - 16 x 2", this means the *Nominal size*, or *body diameter* is 1/2 inch; the second number represents the *threads per inch* (16 in this example, and the final number is the *body length* of the bolt or screw (in this example 2 inches long).

*The guides and ruler furnished below are designed to help you select the appropriate hardware and tools.*



## Torque Specification Chart

FOR STANDARD MACHINE HARDWARE (Tolerance  $\pm 20\%$ )

Hardware Grade	No Marks SAE Grade 2		SAE Grade 5		SAE Grade 8	
	in/lbs ft/lbs	Nm.	in/lbs ft/lbs	Nm.	in/lbs ft/lbs	Nm.
8-32	19	2.1	30	3.4	41	4.6
8-36	20	2.3	31	3.5	43	4.9
10-24	27	3.1	43	4.9	60	6.8
10-32	31	3.5	49	5.5	68	7.7
1/4-20	66	7.6	8	10.9	12	16.3
1/4-28	76	8.6	10	13.6	14	19.0
5/16-18	11	15.0	17	23.1	25	34.0
5/16-24	12	16.3	19	25.8	27	34.0
3/8-16	20	27.2	30	40.8	45	61.2
3/8-24	23	31.3	35	47.6	50	68.0
7/16-14	30	40.8	50	68.0	70	95.2
7/16-20	35	47.6	55	74.8	80	108.8
1/2-13	50	68.0	75	102.0	110	149.6
1/2-20	55	74.8	90	122.4	120	163.2
9/16-12	65	88.4	110	149.6	150	204.0
9/16-18	75	102.0	120	163.2	170	231.2
5/8-11	90	122.4	150	204.0	220	299.2
5/8-18	100	136	180	244.8	240	326.4
3/4-10	160	217.6	260	353.6	386	525.0
3/4-16	180	244.8	300	408.0	420	571.2
7/8-9	140	190.4	400	544.0	600	816.0
7/8-14	155	210.8	440	598.4	660	897.6
1-8	220	299.2	580	788.8	900	1,244.0
1-12	240	326.4	640	870.4	1,000	1,360.0

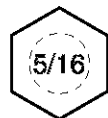
### NOTES

- These torque values are to be used for all hardware excluding: locknuts, self-tapping screws, thread forming screws, sheet metal screws and socket head setscrews.
- Recommended seating torque values for locknuts:
  - for prevailing torque locknuts - use 65% of grade 5 torques.
  - for flange whizlock nuts and screws - use 135% of grade 5 torques.
- Unless otherwise noted on assembly drawings, all torque values must meet this specification.

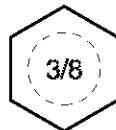
## Wrench & Fastener Size Guide



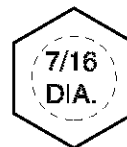
1/4" Bolt or Nut  
Wrench—7/16"



5/16" Bolt or Nut  
Wrench—1/2"



3/8" Bolt or Nut  
Wrench—9/16"



7/16" Bolt or Nut  
Wrench (Bolt)—5/8"  
Wrench (Nut)—11/16"



1/2" Bolt or Nut  
Wrench—3/4"

# Get it fixed, at your home or ours!

## Your Home

For repair – **in your home** – of **all** major brand appliances, lawn and garden equipment, or heating and cooling systems, **no matter who made it, no matter who sold it!**

For the replacement parts, accessories and owner's manuals that you need to do-it-yourself.

For Sears professional installation of home appliances and items like garage door openers and water heaters.

**1-800-4-MY-HOME®** (1-800-469-4663)

Call anytime, day or night (U.S.A. and Canada)

[www.sears.com](http://www.sears.com)      [www.sears.ca](http://www.sears.ca)

---

## Our Home

For repair of carry-in items like vacuums, lawn equipment, and electronics, call or go on-line for the location of your nearest **Sears Parts & Repair Center.**

**1-800-488-1222**

Call anytime, day or night (U.S.A. only)

[www.sears.com](http://www.sears.com)

---

To purchase a protection agreement (U.S.A.) or maintenance agreement (Canada) on a product serviced by Sears:

**1-800-827-6655** (U.S.A.)

**1-800-361-6665** (Canada)

---

Para pedir servicio de reparación a domicilio, y para ordenar piezas:

**1-888-SU-HOGAR<sup>SM</sup>**

(1-888-784-6427)

Au Canada pour service en français:

**1-800-LE-FOYER<sup>MC</sup>**

(1-800-533-6937)

[www.sears.ca](http://www.sears.ca)

# SEARS

® Registered Trademark / ™ Trademark / <sup>SM</sup> Service Mark of Sears, Roebuck and Co.

® Marca Registrada / ™ Marca de Fábrica / <sup>SM</sup> Marca de Servicio de Sears, Roebuck and Co.

<sup>MC</sup> Marque de commerce / <sup>MD</sup> Marque déposée de Sears, Roebuck and Co.

© Sears, Roebuck and Co.

## Free Manuals Download Website

<http://myh66.com>

<http://usermanuals.us>

<http://www.somanuals.com>

<http://www.4manuals.cc>

<http://www.manual-lib.com>

<http://www.404manual.com>

<http://www.luxmanual.com>

<http://aubethermostatmanual.com>

Golf course search by state

<http://golfingnear.com>

Email search by domain

<http://emailbydomain.com>

Auto manuals search

<http://auto.somanuals.com>

TV manuals search

<http://tv.somanuals.com>