

IMPORTANT SAFEGUARDS
READ AND FOLLOW ALL SAFETY INSTRUCTIONS

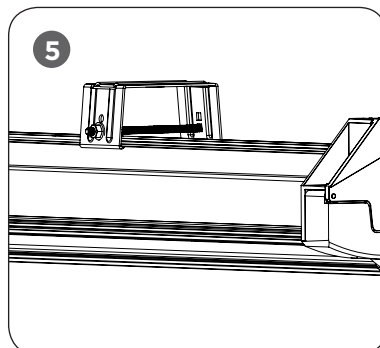
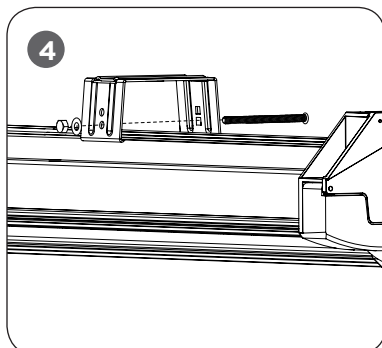
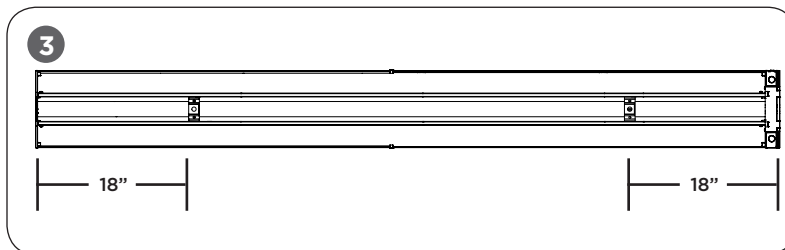
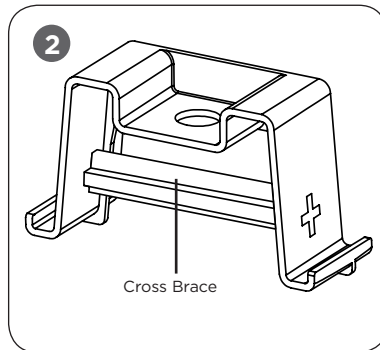
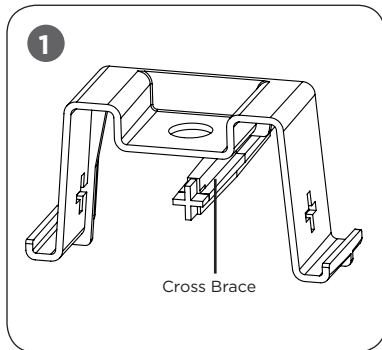
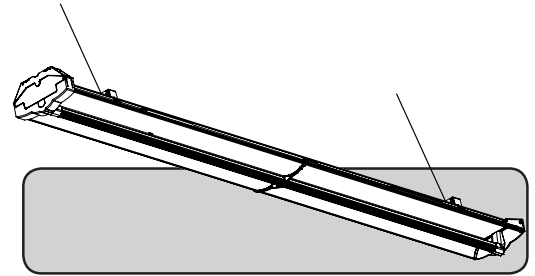
1. Before installing this fixture or doing any maintenance, make sure to turn off the power supply at the circuit breaker or fuse box.
2. Do not handle energized module with wet hands or when standing on wet or damp surfaces, or in water.
3. Check to make sure that all the fixture connections have been properly made and the fixture is grounded to avoid potential electrical shocks.
4. Product must be installed in accordance with NEC or your local electrical code. If you are not familiar with these codes and requirements, consult a qualified electrician.

WARNING - Risk of Electric Shock. Suitable for damp locations. Maximum connected load with a single power supply shall not exceed maximum ampacity rating of #12 AWG THHN through-wire conductors. Use only lighting controls with relay or FET-based outputs, or lighting controls with neutral connection. Reference www.cree.com/lighting for recommended dimming control options. Avoid handling LEDs directly. Not intended for use in environments containing airborne corrosive agents such as chemical solvents, cleaners, or cutting fluids

- The CS Series LED linear luminaire is for suspended, with cable or threaded rod, or surface mount applications using appropriate tong hangers. Reference individual mounting accessory installation instructions for specific mounting types.
- Designed for use in 120–277V, 50-60 Hertz protected circuit (fuse box, circuit breaker) and supply wire shall be rated minimum 12AWG, 600V, 90 C rated).

TO INSTALL:

INSTALLATION INSTRUCTIONS



NOTE: When removing luminaire from packaging, keeping protective plastic wrap on fixture during installation and construction.

FOR PLASTIC TONG HANGERS (TM):

NOTE: Center hole can accommodate 1/2" diameter rod maximum.

STEP 1:

Remove cross brace and securely insert it into the "+" shaped openings in the plastic tong hanger. See **Figures 1 & 2**. For single units or end row fixtures, place the plastic tong hanger assembly into center spine no more than 18" from each end of fixture and twist approximately 45 degrees until the plastic tong hanger assembly is securely in place and approximately 90 degrees to the length of fixture. See **Figure 3**.

STEP 2:

For continuous row installation, continue with next fixture using a minimum of one tong hanger per unit. Each bracket should be properly snug and be difficult to slide along the back spine.

FOR OPTIONAL METAL TONG HANGERS (TMM):

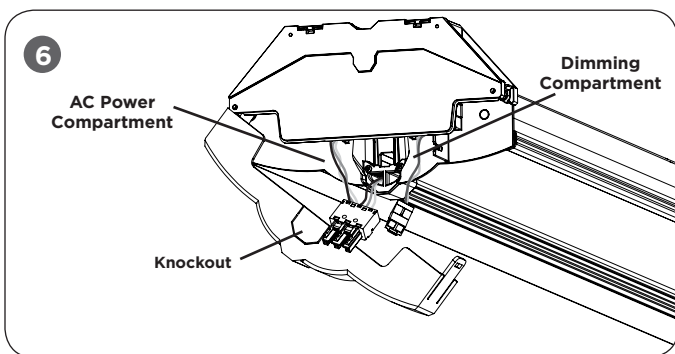
NOTE: Center hole can accommodate 3/8" diameter rod maximum. Recommended for surface mount installations.

STEP 1:

For single units or end row fixtures, place metal tong hanger bracket over center spine no more than 18" from each end of fixture. See **Figure 3**. Insert supplied bolt through the metal tong hanger and secure with lock washer and nut, tightening to secure spine to the metal tong hanger. See **Figure 4 & 5**. Additional suspension points are optional depending on field conditions.

STEP 2:

For continuous row installation, continue with next fixture using a minimum of one tong hanger per unit. Each bracket should be properly snug and be difficult to slide along the back spine.



FOR SUSPENDED MOUNTING:

STEP 1:

For suspended individual mount luminaires, one Power Feed with Cable Support and one Cable Support is required.

STEP 2:

For continuous row installation, begin row (luminaire #1) with one Power Feed with Cable Support and one Cable Support. Each subsequent luminaire, one Cable Support is required; not to exceed 18" from end of luminaire. For environments that do not allow proper spacing of cable support, Unistrut may be required - furnished by others.

ELECTRICAL CONNECTIONS

STEP 1:

For powering the fixture(s), open wiring compartment swing door on end of the luminaire and extend wiring in preparation for connections. See **Figure 6**.

STEP 2:

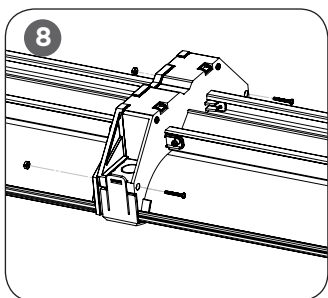
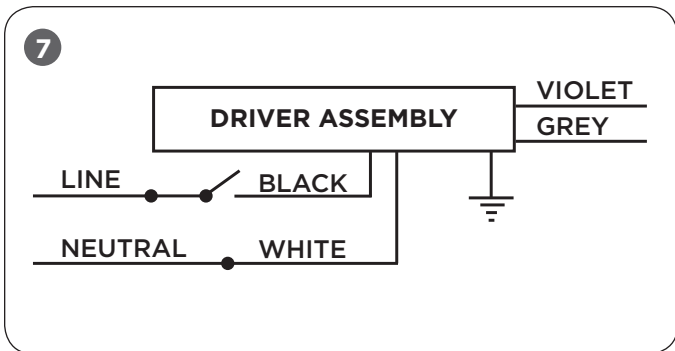
Bring AC feed into wiring compartment through conduit hole on left side. Remove black connector and terminate leads according to local codes.

STEP 3:

Make electrical connections referring to **Figure 7**.

STEP 4:

Close swing door assuring no leads are pinched. See **Figure 6**.



ELECTRICAL CONNECTIONS FOR CONNECTING MULTIPLE LUMINAIRES TOGETHER:

STEP 1:

Attach two fixtures together with screws & nuts provided. See **Figure 8**.

STEP 2:

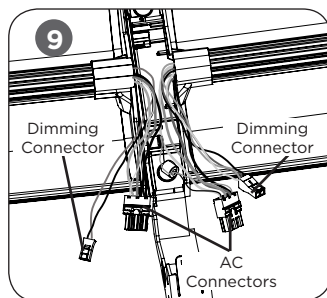
Remove endcap cover of first fixture to reveal through-wiring plug. Open swing door of connecting fixture and remove knockout and extend wiring in preparation for connections. See **Figure 9**.

STEP 3:

Carefully feed AC and dimming plugs into wiring compartment through knockout opening. Remove black connector and terminate leads according to local codes.

STEP 4:

Connect male and female AC connectors. See **Figure 10**.



STEP 5:

Tuck lead ferrite into far AC wiring compartment as shown in **Figure 10**.

STEP 6:

Place AC connector assembly flat into AC wiring compartment as shown in **Figure 11**.

STEP 7:

Connect male and female dimming connector. See **Figure 11**.

STEP 8:

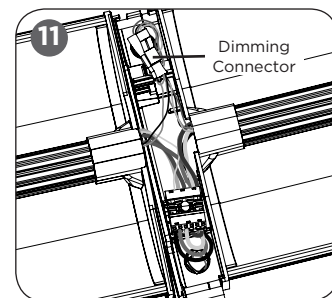
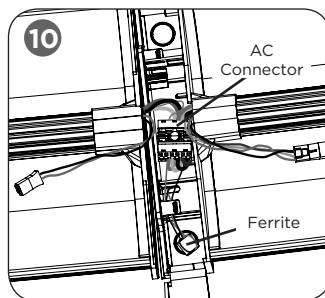
Place dimming connector assembly flat into dimming wiring compartment as shown in **Figure 11**.

STEP 9:

Close swing door assuring no leads are pinched. Continue powering fixtures until entire row is complete.

STEP 10:

Remove protective plastic wrap and wire tie from center stiffener.



LED LUMINAIRE MAINTENANCE

Cleaning Instructions:

Regular cleaning of the light LED fixture is required to keep the LED fixture operating at optimal performance. Prior to cleaning fixtures, turn power OFF to the fixture. Dust fixture regularly with a hand held vacuum with a clean, non-lead, soft bristle brush to remove any dust accumulation on the LED source on the LED and reflector surfaces. Cleaning intervals to be no more than twelve months for clean category environments and more frequently for dirtier conditions. Care should be taken as to not damage the LED stick and/or the interior reflective surface as these components are critical for optimal performance. DO NOT use any type of cleaners or stiff brushes on the LED fixture.

Free Manuals Download Website

<http://myh66.com>

<http://usermanuals.us>

<http://www.somanuals.com>

<http://www.4manuals.cc>

<http://www.manual-lib.com>

<http://www.404manual.com>

<http://www.luxmanual.com>

<http://aubethermostatmanual.com>

Golf course search by state

<http://golfingnear.com>

Email search by domain

<http://emailbydomain.com>

Auto manuals search

<http://auto.somanuals.com>

TV manuals search

<http://tv.somanuals.com>