

## ONSTAR RADIO REPLACEMENT FOR SELECT GM LAN 11-BIT VEHICLES 2004-2011 (FOR VEHICLES WITH OR WITHOUT ON-STAR)

We recommend reading this installation guide first before starting any work. Following these instructions from "Start to" Finish" will ensure a smooth and hassle free installation. We offer telephone support M-F 9:00 AM – 5:00PM PDT at 1 (855) 822-1348. We are here to help.

### GETTING STARTED

Before removing the factory radio check to see if there any CD's in the unit and remove them. Now turn on the radio and listen to check that the speaker fader control is equally balanced from front to rear, also check the radio display for the center fader position setting. The Reason for this is that the digital amplifiers remember the last fader control position before the factory radio was removed. Once you have installed the new head unit you will no longer have fader control. Once you have completed these steps you now may remove the factory radio. Also if the vehicle is equipped with a rear seat audio system this feature will no longer work with the new head unit. We always recommend disconnecting the negative terminal on the battery for safety also use towels or a protective blanket around center console to avoid scratching dash panels.

### TEST FOR HIGH/LOW SYSTEMS:

You will need to perform this simple test first, to determine if the audio system is either a "High" or "Low" level output system. Take the SOOGM-16B module and plug in the connector harness. Tape off the end of the wires on the harness to avoid any shorting as this could damage the control module. Now plug in the SOOGM-16B module to the factory radio harness. On the SOOGM-16B control module set the rotary switch to "0". If you disconnected the battery, reconnect it. Turn the ignition key to "on" or "Accessory" position. Find the OnStar button which will be located either on the swc, or rear view mirror or steering wheel. Push the OnStar "Phone" Icon button and listen for the OnStar "Greeting", if you hear the greeting move the rotary switch to "9" for High level input. Now press the OnStar "Phone" icon again to exit OnStar mode. Now turn off the ignition key and again disconnect the vehicle's battery. You will NOT need to perform the "Setting audio level control" as the module has now been set to the correct audio input level. If however you hear nothing at all the system is "Low" level and a speaker level converter will be needed and you will need to perform the "Setting audio level control" in this guide.

### CONNECTING THE WIRE HARNESS:

First check that you have the correct SOOGM-16B harness, each harness is clearly labeled with all information for its application and wire location. With the help of the wiring diagram join together the SOOGM-16B harness to the new radio harness you are installing. Start by making all primary power connections:

Yellow (+12v Battery): Constant +12 Volts to the new head unit.

Red (+12V Acc): Switched Accessory from the key. This output supports up to 1 amp continuous. If you need to use this output for additional accessories, you will need to use a relay to prevent damage to the SOOGM-16B. See Relay Wiring Diagram for details.

Black (Ground): To ground wire to new head unit.

Orange/White (Panel Lamp): works in conjunction with the instrument panel dimmer switch, this gives full dimmer control for the new head unit.

Orange (Illumination): Provides illumination with the head lamp control switch however does not dim.

Blue/White (Amp On): Used for amplifier turn on.

Blue (Antenna Trigger): Used for power antennas or antenna amplifier turn on.

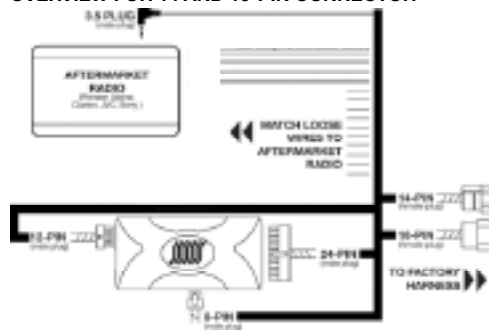
Yellow/Black (Park): connect to park break on new head unit

Red/White (Rev.): Connect to reverse wire on new head unit

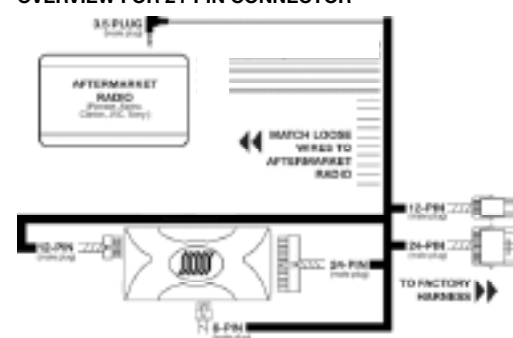
Red/Black (VSS): Connect to Vehicle speed sense wire on new head unit.

Lt Blue/Yellow (KW Switch): Use on Kenwood remote radio control (This wire is also used on new JVC units)

### OVERVIEW FOR 14 AND 16-PIN CONNECTOR



### OVERVIEW FOR 24-PIN CONNECTOR



FRONT audio inputs:  
Gray for right side / White for Left side

REAR audio inputs:  
Purple for right side / Green for left side

Wires with a "Black" trace go to Negative (-) side of speaker and solid colors goes to Positive (+) side of speaker output from head unit.

### USING THE 3.5 STEERING WHEEL CONTROL CABLE

This cable is used on all radios using a 3.5mm remote control input. Plug this cable in to the port on the back of the radio labeled for remote. This cable supports Pioneer, Alpine, Clarion, JVC and Sony radios only no other manufacture is supported and cable should not be used. This cable is not needed in vehicles without steering wheel controls.

### SETTING THE CONTROLS PRELIMINARY

Once you have made all connections between the SOOGM-16B harness and radio harness you are ready to plug in all the connectors. It is advisable to put down some towels around the console area to prevent scratching during this final setup. Start by plugging in the SOOGM-16B harness in to the control module there are 3 connectors and each will only fit its given location. Make sure each connector is firmly pushed in without forcing, as this can damage the pins on the connector. Now connect the 2 GM connectors on the SOOGM-16B harness to the factory radio harness that you unplugged when you removed the factory radio. Again these plugs will only fit one way, be careful not to force the connectors. Now set radio down on console and reconnect the battery on the vehicle not forgetting to tighten down the terminal.

### USING THE SWC WIRE ON NEW JVC UNITS

New JVC units no longer carry the 3.5mm cable and have added the SWC signal via a Lt. Blue/Yellow wire.

This wire needs to be connected to the SWC wire labeled "Kenwood" also Lt. Blue/Yellow. Be sure to keep the dial switch set to number 4 when using JVC units. (See page 2)

## APPLICATIONS

### 16 AND 14-PIN CONNECTORS

#### CHEVROLET

2007 - 2010 Cobalt  
2007 - 2010 HHR  
2008 - 2011 Malibu

#### PONTIAC

2007 - 2010 G5  
2007 - 2010 Solstice

#### SATURN

2007 - 2010 Aura  
2007 - 2007 Ion  
2007 - 2009 Sky

### 24-PIN CONNECTOR

#### CHEVROLET

2005 - 2006 Cobalt  
2004 - 2007 Malibu

#### PONTIAC

2005 - 2009 G6

## ONSTAR RADIO REPLACEMENT FOR SELECT GM LAN 11-BIT VEHICLES 2004-2011

(FOR VEHICLES WITH OR WITHOUT ON-STAR)

### APPLICATIONS

#### 16 AND 14-PIN CONNECTORS

##### CHEVROLET

2007 - 2010 Cobalt  
2007 - 2010 HHR  
2008 - 2011 Malibu

##### PONTIAC

2007 - 2010 G5  
2007 - 2010 Solstice

##### SATURN

2007 - 2010 Aura  
2007 - 2009 Sky

#### 24-PIN CONNECTOR

##### CHEVROLET

2005 - 2006 Cobalt  
2004 - 2007 Malibu

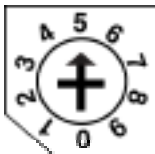
##### PONTIAC

2005 - 2009 G6

#### SETTING AUDIO CONTROL:

At this point you should know what audio output level you have from the "Test for High / Low level audio systems". If your test indicated that you had a "high" Level output and you were able to hear the OnStar "Greeting" there is no need to make any changes. Also if the vehicle has steering wheel controls you may skip down to "Radio Remote Select", if not go to OnStar Volume Adjust for vehicles without steering wheel control. However if the test indicated a low level output you will need to adjust the SOOGM-16B module. Start by Locate the rotary switch on the SOOGM-16B and set it to "9". You must have made all the connection from the SOOGM-16B to the radio harness. Now plug in your completed assembly to the vehicle factory radio plugs. Turn the ignition key to the "on" or "accessory" position. You should now see the radio turn on. Now locate the OnStar button, this can be found on the swc, or rear view mirror or steering wheel. Press the OnStar "Phone" icon button to enter OnStar mode; you should now hear the OnStar "Greeting", move the rotary switch to "0". Now your level is set. If the vehicle has steering wheel controls you may skip down to "Radio Remote Select". However if the vehicle has no steering wheel controls you will need to adjust the volume on the OnStar, go directly to the next step "OnStar Volume Adjust for vehicles without steering wheel control". If no further adjustment is needed turn ignition key to "Off" and go to "Radio Remote Select".

Use a small jeweler's type screw Driver to make adjustments.



#### ONSTAR VOLUME CONTROL ADJUSTMENT:

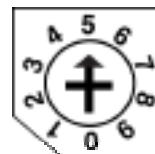
This step is only needed if there are no steering wheel controls and the volume level is either too high or too low. You may skip this step if the OnStar volume is acceptable. Turn the ignition key to the "on" or "accessory" position. Start by pressing the Onstar button and listen to the "Greeting", now say "HELP" and listen to the help menu audio as you adjust the volume. While the "HELP" menu is playing turn the rotary dial clockwise to increase or counter clockwise to decrease volume. You will a Soft "Clicking" sound as you turn the rotary dial through the speakers. Move the dial in 1 second increments until desired volume is achieved. Watch closely as you turn, DO NOT STOP at the "0" or "9" position this will change your High/Low setting, you may go past these numbers when adjusting but do not land on them for more than 2 seconds or your settings will change. Once you are satisfied with the volume level press the Onstar "PHONE" icon to exit OnStar mode. Your level is now set. Turn ignition key to "Off" and go to "Radio Remote Select". Please ensure the volume is set at a level that is comfortable for the end user as there will be no other adjustment once the installation is complete.

#### RADIO REMOTE SELECT:

This step is only needed if the vehicle has steering wheel controls and you are installing one of the listed radios. With the ignition key in the off position turn the rotary dial on the SOOGM-16B to the number corresponding to the radio you are installing. Turn the ignition key to the "on" or "accessory" position. Now check all steering wheel control functions.

Use a small jeweler's type screw Driver to make adjustments.

0. Pioneer
1. Alpine
2. Clarion
3. Kenwood
4. JVC
5. Sony



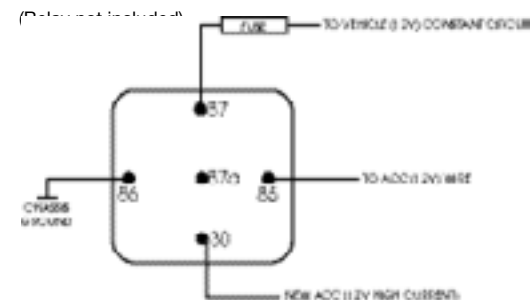
#### CHECKING THE INSTALLATION

Now turn on the ignition Key to "on" or "Accessory" and turn on the radio. Check that all speakers are working and that balance and fader control are in sink. On vehicles with digital amplifiers there will be NO fader control from the radio. Check to make sure you have equal front to rear audio balance, if not you will need to go back to "Getting Started" to correct the problem. Now check steering wheel controls, they will function as they did with the factory radio. Also make sure the OnStar is set at a comfortable audio level. Remember vehicles without steering wheel controls will not have any adjustment to the OnStar volume once the radio is installed.

#### FINISHING THE INSTALLATION:

Once you have completed your final check you may now install the radio into the dash. Make sure to find a suitable location behind the dash for the SOOGM-16B module keeping in mind any moving part that could be impeded the operation of the vehicle. The SOOGM-16B should be mounted so as not to block the slits in the top of the module. These slits are for the warning chime speaker and blocking them may cause the warning chime not to be heard. Take care in tuck all wires into the dash being careful not to allow pinching or rubbing of wires once radio is installed. Use tape and wire ties make a neat wire loom.

### RELAY WIRING DIAGRAM



For applications demanding more than 1 amps continuous we recommend the use of a standard BOSCH type SPDT or STST relay available at your local auto parts supplier.

## Free Manuals Download Website

<http://myh66.com>

<http://usermanuals.us>

<http://www.somanuals.com>

<http://www.4manuals.cc>

<http://www.manual-lib.com>

<http://www.404manual.com>

<http://www.luxmanual.com>

<http://aubethermostatmanual.com>

Golf course search by state

<http://golfingnear.com>

Email search by domain

<http://emailbydomain.com>

Auto manuals search

<http://auto.somanuals.com>

TV manuals search

<http://tv.somanuals.com>