

PRODUCT FEATURES:

- Retains Steering Wheel Controls via built-in, pre-programmed interface.
- Provides +12 volt accessory output.
- Auto detect on CAN Bus vehicles.
- Retains VR Command (Voice Recognition) function on select OEM steering wheel controls to activate CarPlay and Android Auto compatible devices.
- Works on the new generation Sony Radio with CarPlay function.

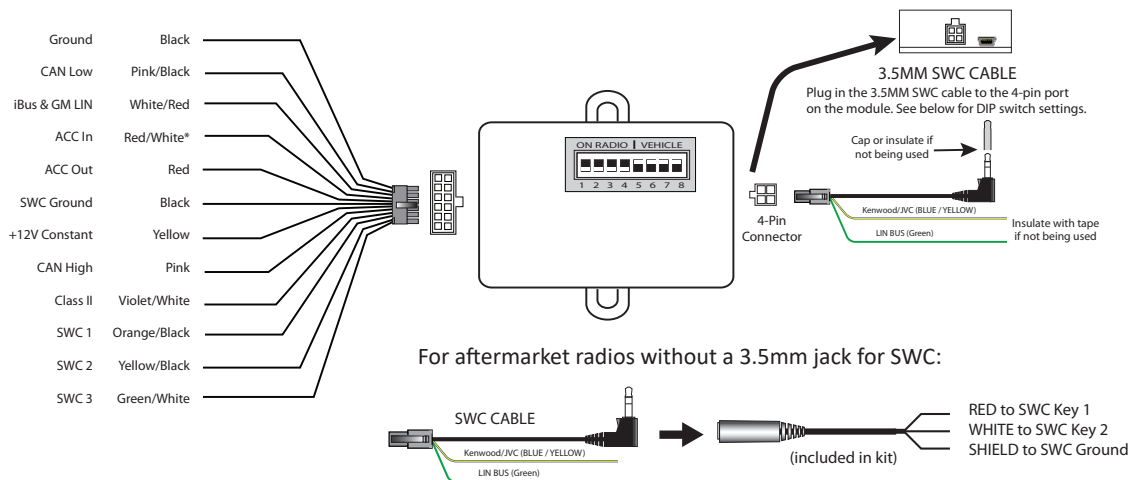
PARTS INCLUDED:

SWR-100 Module	SWR-100 Harness	SWC Cable

SUPPORTED RADIOS:

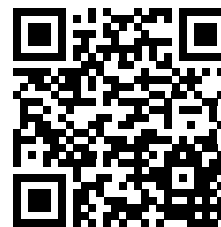
Alpine Boss	Clarion Dual	Fahrenheit Jensen	JVC Kenwood	Pioneer Power Acoustik	Sony Soundstream
----------------	-----------------	----------------------	----------------	---------------------------	---------------------

INSTALLATION DIAGRAM:



*For vehicles with analog SWC, connect the Red/White wire to ACC to power the module.

For vehicle specific wiring diagram and connection, please visit:
www.cruxinterfacing.com/wiring or click on the QR code.

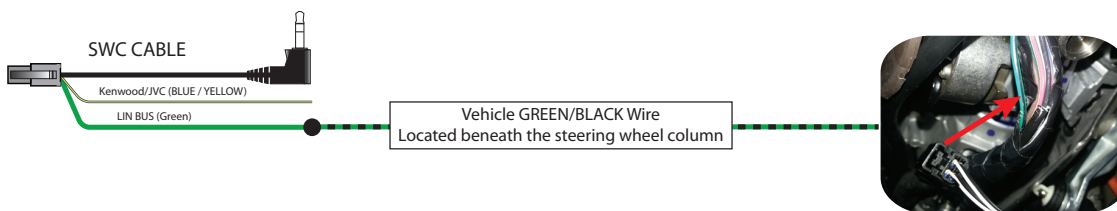


SWC CONNECTION:

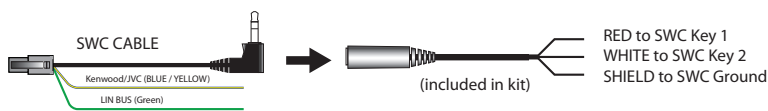
For aftermarket radios with a 3.5mm jack for the SWC, use the SWC cable below.
(Old Sony, New Sony (with CarPlay/Android Auto), Pioneer, Jensen, Dual, Fahrenheit, New Soundstream)



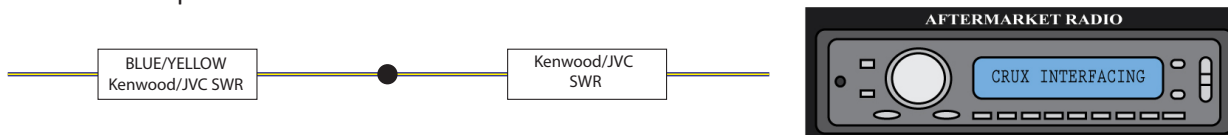
For GM vehicles with LIN Bus, tap the GREEN (LIN Bus) wire to the GREEN/BLACK wire on the factory SWC.



For radios with wires (2 or 3 wire) connections for SWC, use the female 3.5mm adapter.
(Boss, Power Acoustik, select Sounstream)



For Kenwood and JVC radios with a BLUE/YELLOW wire connection for SWC, tap to the BLUE/YELLOW wire of the SWC adapter..



Free Manuals Download Website

<http://myh66.com>

<http://usermanuals.us>

<http://www.somanuals.com>

<http://www.4manuals.cc>

<http://www.manual-lib.com>

<http://www.404manual.com>

<http://www.luxmanual.com>

<http://aubethermostatmanual.com>

Golf course search by state

<http://golfingnear.com>

Email search by domain

<http://emailbydomain.com>

Auto manuals search

<http://auto.somanuals.com>

TV manuals search

<http://tv.somanuals.com>