

PRODUCT FEATURES:

- Retains factory features in select FORD, LINCOLN, and MERCURY vehicles while functioning with an aftermarket radio.
- Pre-programmed to retain factory Steering Wheel Controls.
- iPhone Voice Recognition (VR) feature from SWC on select Kenwood, Pioneer, Alpine and JVC radios.
- Retains factory Aux-Input and Subwoofer (if equipped).
- EIA color coded wiring for easy installation.

PARTS INCLUDED:



FD-60L
Analog Module



FD-60L
T-Harness

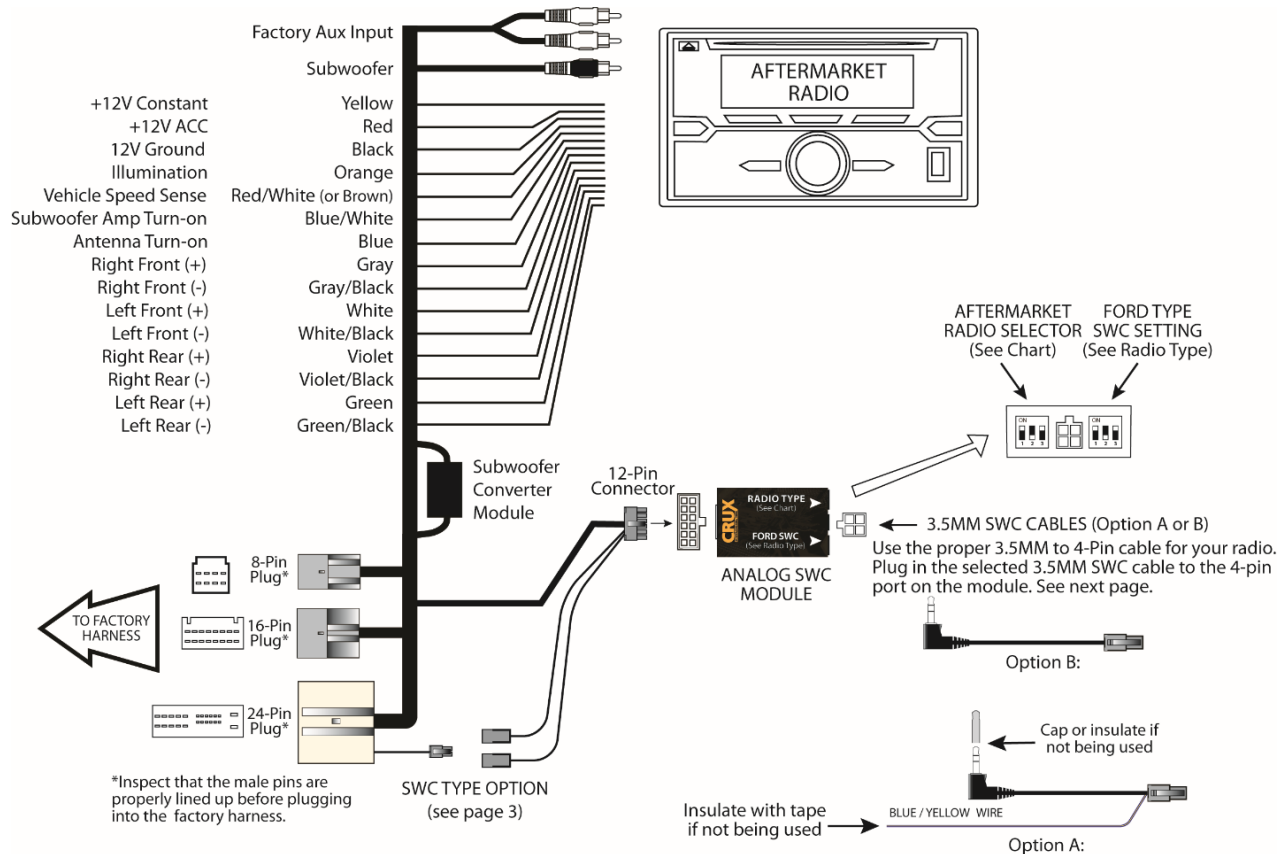


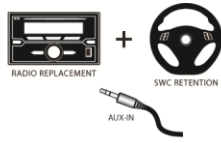
4-Pin SWC
Cables



Antenna Adaptor

INSTALLATION DIAGRAM:





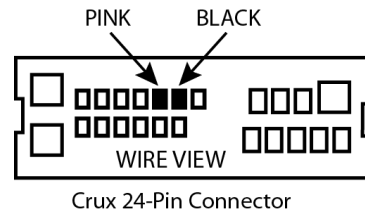
NOTES:

1. Only supports analog Steering Wheel Control type.
2. Use part number SWRFD-60 for CAN Bus Steering Wheel Control.
3. Output signal stated above may not cover all Year/Model.
4. Does not retain SYNC.
5. Not compatible with factory-installed Sony systems and THX systems with amplifier.

ANALOG SWC CONNECTION:

HOW TO DETERMINE IF THE VEHICLE IS ANALOG

Analog Steering Wheel Control (SWC) signal, vehicles will have wires populated and line up to PINK and BLACK wire on the 24-Pin Crux connector.

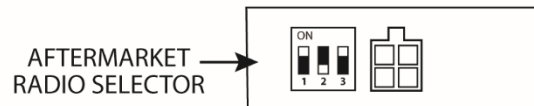


DIP SWITCH SETTINGS:

SETTING THE AFTERMARKET RADIO BRAND

This step is done on the SWC Module. With the key in the off position, set the DIP switches to the corresponding radio listed below.

RADIO BRAND:	DIP:	1	2	3
Dual, Fahrenheit, Jensen, Pioneer		OFF	ON	ON
Power Acoustik, Soundstream		OFF	ON	ON
Alpine		OFF	OFF	OFF
Clarion		ON	ON	OFF
Kenwood		ON	ON	ON
JVC		ON	OFF	ON
Sony, Boss		ON	OFF	OFF



4-PIN SWC CABLE

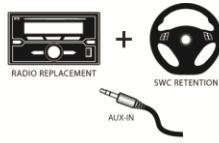
Use the proper 3.5MM to 4-Pin SWC cable for the aftermarket radio you are using.

OPTION A is used for ALPINE, CLARION, (JVC and KENWOOD units will use the Blue/Yellow wire).

OPTION B is used for BOSS, DUAL, FAHRENHEIT, JENSEN, POWER ACOUSTIK, PIONEER, SONY and SOUNDSTREAM units.

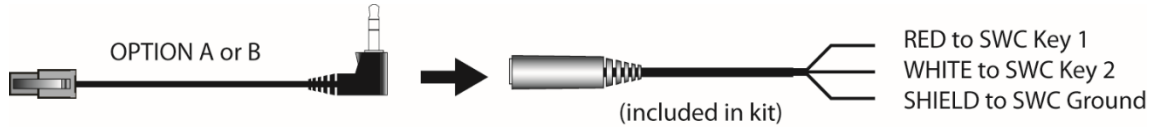
NOTE: Cap or insulate the 3.5mm plug or Blue/Yellow wire if not being used.



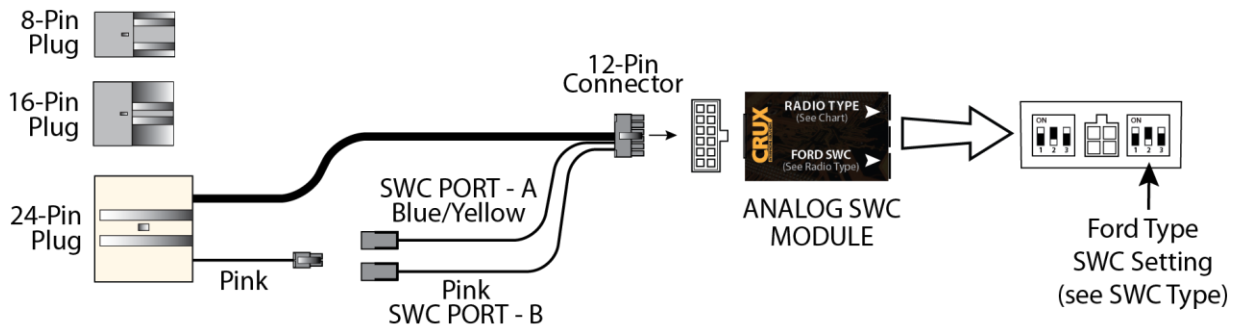


BOSS Radio SWC Wiring Connection and Programming

SWC Radio Wiring connection



SETTING THE FORD SWC TYPE



SWC TYPE:	DIP	1	2	3	
Ford Type 1: connect to SWC		OFF	OFF	OFF	- USING SWC PORT- B PINK
Ford Type 2: connect to SWC		OFF	OFF	OFF	- USING SWC PORT- A BLUE/YELLOW
Ford Type 3: connect to SWC		OFF	OFF	ON	- USING SWC PORT- B PINK
Ford Type 4: connect to SWC		OFF	OFF	ON	- USING SWC PORT- A BLUE/YELLOW

Approximate Year and SWC Type button:

- 1) Below 2007 Type 1 is supported: Vehicles with 4-Button: VOL+, VOL-, Next, Media
- 2) 2007-Up Type 2 is supported: Vehicles with 4-Button: Vol+, Vol-, Next, Mode
- 3) 2007-Up Type 3 is supported: Vehicles with 5-Button: Vol+, Vol-, Seek+, Seek-, Media
- 4) Below 2006 Type 4 is supported: Vehicles with 6-Button: Vol+, Vol-, Mem+, Mem-, Media, Mute



TYPE 1
4-Button



TYPE 2
4-Button

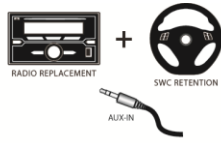


TYPE 3
5-Button



TYPE 4
6-Button





VEHICLE APPLICATIONS:

FORD

2004-2006	Crown Victoria
2007-2010	Edge
2008-2012	Escape
2004-2010	Expedition
2004-2010	Explorer
2004-2012	F-150
2004-2012	F-250
2004-2012	F-350
2004-2012	F-450
2004-2012	F-550
2005-2007	Five Hundred
2009-2012	Flex
2004-2011	Focus
2004-2007	Freestar
2005-2007	Freestyle
2006-2012	Fusion
2004-2012	Mustang
2008-2010	Taurus
2004-2005	Thunderbird

MERCURY

2003-2005	Grand Marquis
2006-2010	Mariner
2006-2011	Milan
2005-2007	Montego
2004-2007	Monterey
2006-2010	Mountaineer
2008-2009	Sable

LINCOLN

2003-2005	Aviator
2004-2006	LS
2006-2008	Mark LT
2009-2010	MKS
2010-2011	MKT
2006-2011	MKX
2006-2011	MKZ
2007-2011	Navigator
2004-2010	Town Car
2006-2006	Zephyr



Free Manuals Download Website

<http://myh66.com>

<http://usermanuals.us>

<http://www.somanuals.com>

<http://www.4manuals.cc>

<http://www.manual-lib.com>

<http://www.404manual.com>

<http://www.luxmanual.com>

<http://aubethermostatmanual.com>

Golf course search by state

<http://golfingnear.com>

Email search by domain

<http://emailbydomain.com>

Auto manuals search

<http://auto.somanuals.com>

TV manuals search

<http://tv.somanuals.com>