

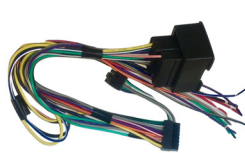
**PRODUCT FEATURES:**

- Retains factory features in select GM LAN Bus vehicles while functioning with an aftermarket radio.
- Retains chime functions.
- Retains factory Steering Wheel Controls.
- Supports Bose amplified, Premium Y-91 and non-amplified audio systems.
- Retains RAP (Retained Accessory Power).
- Includes factory backup camera retention harness.
- Includes antenna adapter.

**PARTS INCLUDED:**



SWRGM-49N Module



SWRGM-49N Harness



SWC Cables

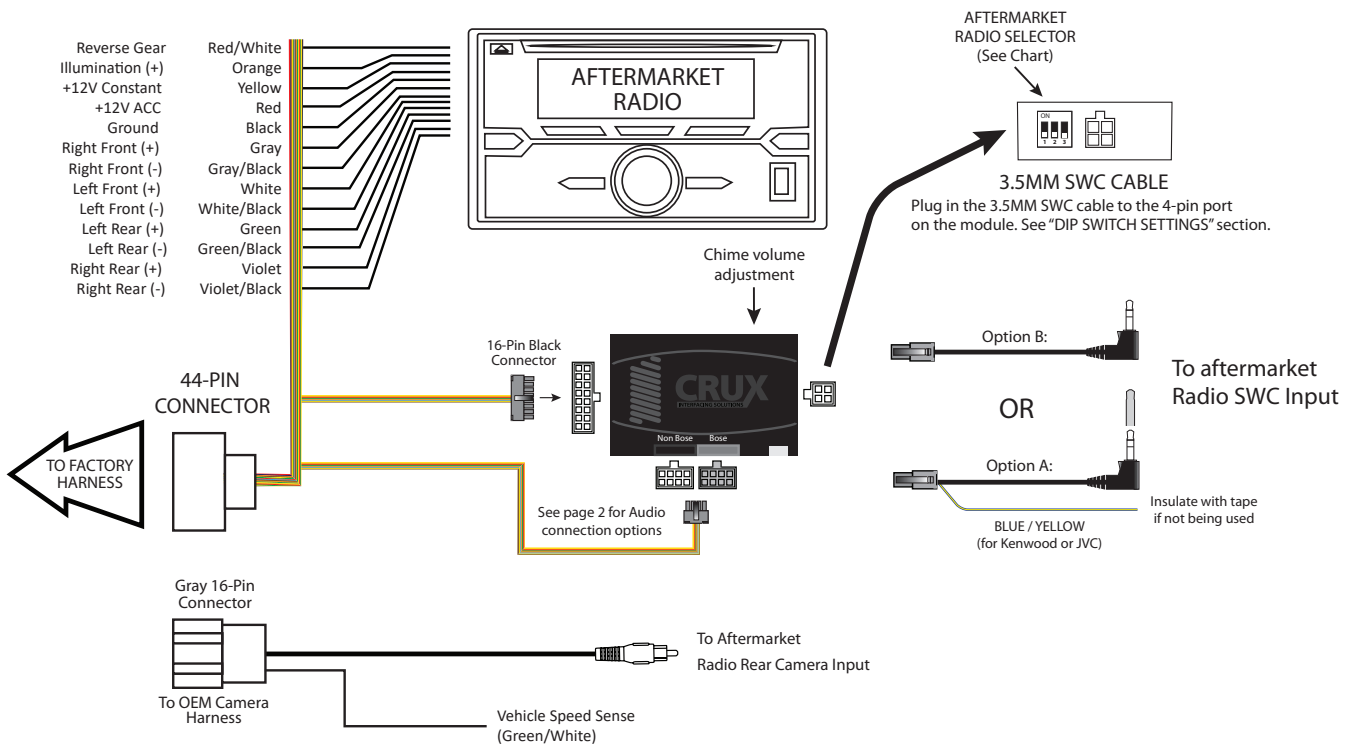


Camera Retention  
Harness



Antenna Adapter

**INSTALLATION DIAGRAM:**



**CHIME VOLUME ADJUSTMENT:**

The SWRGM-49N has a potentiometer to adjust the chime volume. It is set at half way by default. To adjust the volume, simply use a suitable screw driver and turn the potentiometer clockwise to increase the volume and counter-clockwise to decrease the volume.



**DIP SWITCH SETTINGS:**

**AFTERMARKET RADIO DIP SWITCH SETTINGS:**

RADIO BRAND:	DIP#:	1	2	3
Atoto, Dual, Fahrenheit, Jensen		OFF	ON	ON
Pioneer, Power Acoustik, Soundstream		OFF	ON	ON
Blaupunkt, Most off-brand Radio		OFF	ON	ON
Alpine		OFF	OFF	OFF
Clarion		ON	ON	OFF
Kenwood		ON	ON	ON
JVC		ON	OFF	ON
Boss, Old Sony		ON	OFF	OFF
New Sony (with CarPlay)		OFF	ON	OFF

SWC MODULE  
DIP SWITCH



**NOTE:** For Atoto, Blaupunkt, Dual, Fahrenheit, Power Acoustik, Soundstream, and most off-brand radios, check the aftermarket radio's manual to see if the SWC buttons need to be programmed.

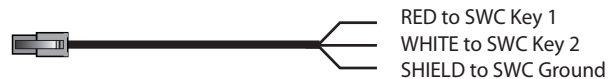
**4-PIN SWC CABLE**

Use the proper 3.5MM to 4-Pin SWC cable for the aftermarket radio you are using.

- OPTION A is used for ALPINE, CLARION, JVC, and KENWOOD units (Blue/Yellow wire is attached)
- OPTION B is used for ATOTO, BLAUPUNKT, BOSS, DUAL, FARENHEIT, JENSEN, POWER ACOUSTIK, PIONEER, SONY, SOUNDSTREAM and Most Off-Brand Radios.

NOTE: Cap or insulate the 3.5mm plug or Blue/Yellow wire if not being used.

For aftermarket radios that have wires for SWC connections, cut off the 3.5mm plug on the Crux SWC Cable (option B) and connect the SWC wires as follows:



Note that there are some radios that only have SWC1 and SWC2, in this case "shield" does not need to be connected.

**VEHICLE APPLICATIONS:**

**BUICK**

2017 Cascada  
 2015-2016 Encore

**CHEVROLET**

2011-2015 Cruze  
 2016 Cruze Classic  
 2010-2016 Equinox  
 2013-2015 Malibu\*  
 2016 Malibu Classic\*  
 2012-2015 Sonic  
 2012-2015 Spark  
 2016 Spark Classic  
 2015-2016 Trax  
 2015 Volt

**GMC**

2010-2017 Terrain

**NOTES:**

- Does not retain OnStar. Use Crux part# SOOGM-19N instead.
- \* Not compatible on Malibu models with navigation radio.



## Free Manuals Download Website

<http://myh66.com>

<http://usermanuals.us>

<http://www.somanuals.com>

<http://www.4manuals.cc>

<http://www.manual-lib.com>

<http://www.404manual.com>

<http://www.luxmanual.com>

<http://aubethermostatmanual.com>

Golf course search by state

<http://golfingnear.com>

Email search by domain

<http://emailbydomain.com>

Auto manuals search

<http://auto.somanuals.com>

TV manuals search

<http://tv.somanuals.com>