

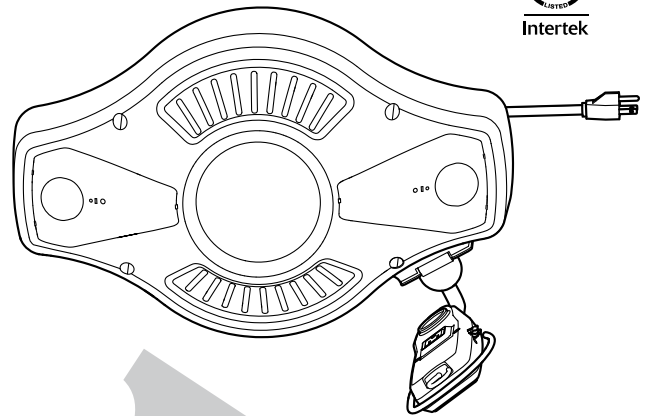


## INTRODUCTION

The Chamberlain Garage Power Station gives you the convenience of power, air, and lighting directly within your reach. It mounts neatly to your ceiling or wall and reaches anywhere in the garage with a 25 foot cord! The Chamberlain Garage Power Station's smart design will turn your garage into an efficient work area.

## SPECIFICATIONS

- Voltage** ..... 120 Vac
- PSI Rating** ..... 100 psi max pressure
- Hose** ..... 25 foot 1/4" OD polyurethane hose  
Locking tire chuck and pressure gauge
- Extension Cord** ..... 25 feet SJTW 16 AWG
- Amps** ..... 14
- Inflator** ..... switches on below 80 psi,  
switches off at 100 psi
- Task Light Bulbs** ... GU10 120 V Halogen bulbs (50 watts maximum)
- Auto Shutoff**



## CARTON INVENTORY

- |                              |                             |
|------------------------------|-----------------------------|
| Garage Power Station         | Rubber Isolator - large (2) |
| 1/4" x 2 1/2" Lag Screws (2) | Rubber Isolator - small (2) |
| Washer (2)                   |                             |

## IMPORTANT SAFETY INFORMATION

### WARNING

To reduce the risk of **SERIOUS INJURY** or **DEATH**:

- **READ AND FOLLOW ALL INSTALLATION WARNINGS AND INSTRUCTIONS.**
- **FOR INDOOR USE ONLY.**
- To avoid **SERIOUS PERSONAL INJURY** or **DEATH** from electrocution, disconnect **ALL** electric power **BEFORE** performing **ANY** service or maintenance.
- **DO NOT OVERLOAD RECEPTACLE.** Maximum current is 10 amps.
- **DO NOT** immerse cords, plugs or product in water or other liquid.
- **DO NOT** operate appliance with a damaged cord or plug or after the appliance malfunctions or has been damaged in any way. Return appliance to nearest authorized service facility for examination, repair or adjustment.
- The use of accessory attachments **NOT** recommended by the appliance manufacturer may result in fire, electric shock or **INJURY** to persons.
- **DO NOT** let inflator head touch hot surfaces.
- **DO NOT** use appliance for other than intended use.
- **Connect** to a properly grounded outlet.
- **DO NOT** use a 3 – 2 prong adapter.
- **DO NOT** use above hazardous locations or areas where water can accumulate or in rain or mist.
- **NEVER USE** the inflator as a toy.
- **NEVER** permit children to operate or play with the Garage Power Station. **KEEP OUT OF REACH OF CHILDREN.**
- Keep inflator away from flammable areas/liquids at **ALL** times.
- **DO NOT** handle work light or try to plug something into receptacle when your hands are wet or when standing on a wet or damp surface.
- This appliance **MUST ALWAYS BE USED** in accordance with all local electrical and building codes.

### CAUTION

To avoid personal **INJURY** or **DAMAGE** to property and to reduce the risk of electric shock and fire:

- **DO NOT** use this cord reel in explosive atmospheres, near flammable liquids or where explosion proof equipment is required.
- **DO NOT** direct air stream at body.
- Use **ONLY** recommended air-handling parts acceptable for air pressure.
- **DO NOT** over-inflate.
- This inflator is designed to inflate car tires, ATV tires, motorcycle tires, bicycle tires, sports equipment, air mattresses, beach toys and other inflatables.
- Allow inflator to cool down 10 minutes after each 10 minutes of continuous use.
- Use safety glasses. Use facemask or dust mask if operation is dusty.
- **DO NOT** allow cord reel to retract the cord by itself as **DAMAGE** or **INJURY** may occur from excessive rewind speed.
- **BEFORE** cleaning product, unplug from the power source.
- **DO NOT** use solvents such as gasoline, turpentine, etc. to clean unit. Keep cord reel clean to assure smoothest operation. To clean, simply pull cord to its full length and allow to retract through a dampened rag. **DRY** thoroughly before plugging back into outlet.
- **PULL** out cord to full length when using the receptacle.
- The Garage Power Station **MUST** be **RIGIDLY** fastened to structural support on wall or ceiling.
- Disconnect **ALL** electrical power **BEFORE** replacing bulbs.
- Use **ONLY** 50 watt or smaller bulb.
- For Light Duty Use Only.

## TOOLS

- Tape measure
- Stud finder
- Pencil or marker
- Drill
- 3/16" Drill bit
- #3 Phillips screwdriver
- 7/16" socket wrench
- 6" socket extension (optional)
- Small flathead screwdriver

## INSTALLATION

**IMPORTANT NOTE:** The Garage Power Station can be installed on the ceiling or wall. The Garage Power Station can be mounted to a single ceiling joist or wall stud or across two ceiling joists or wall studs.

1. Select a mounting location for the Garage Power Station within 6 feet of an electrical outlet.
2. Use a stud finder to locate the joists and studs where the Garage Power Station will be mounted. Mark the center of each joist or stud. **NOTE:** Mounting holes for the Garage Power Station are 16" apart. If the distance between each joist or stud is 24" on center the Garage Power Station will need to be mounted to a single joist or stud.
3. Mark the mounting holes 16" apart and drill 3/16" pilot holes in the center of the stud(s) or joist(s). **NOTE:** Ensure mounting holes are level.
4. Remove the screws from the task light covers and pry the task light covers from the Garage Power Station cover with a small flathead screwdriver. **NOTE:** If you do not have a 6" socket extension, you will need to remove the Garage Power Station cover to access the mounting holes by removing the 4 screws that secure the cover to the mounting plate.

5. Place a washer and small rubber isolator on each lag screw. Insert each lag screw through the mounting holes of the mounting plate.
6. Place a large rubber isolator on each of the lag screws behind the mounting plate.
7. Position the Garage Power Station over the stud/joist with the tip of each lag screw inserted in a pilot hole.
8. Tighten each lag screw with a 7/16" socket wrench with extension.
9. Insert light bulb (not provided) into the light socket and turn it clockwise to secure the light bulb. Slide the light bulb into the retainer ring located on the task light cover. (Figure 1)
10. Reinstall the task light covers by inserting the bottom tabs first, then press into place. Secure with the screws.
11. Plug the Garage Power Station into the electrical outlet. **NOTE:** Excess power cord may be wrapped around the back of the mounting plate.

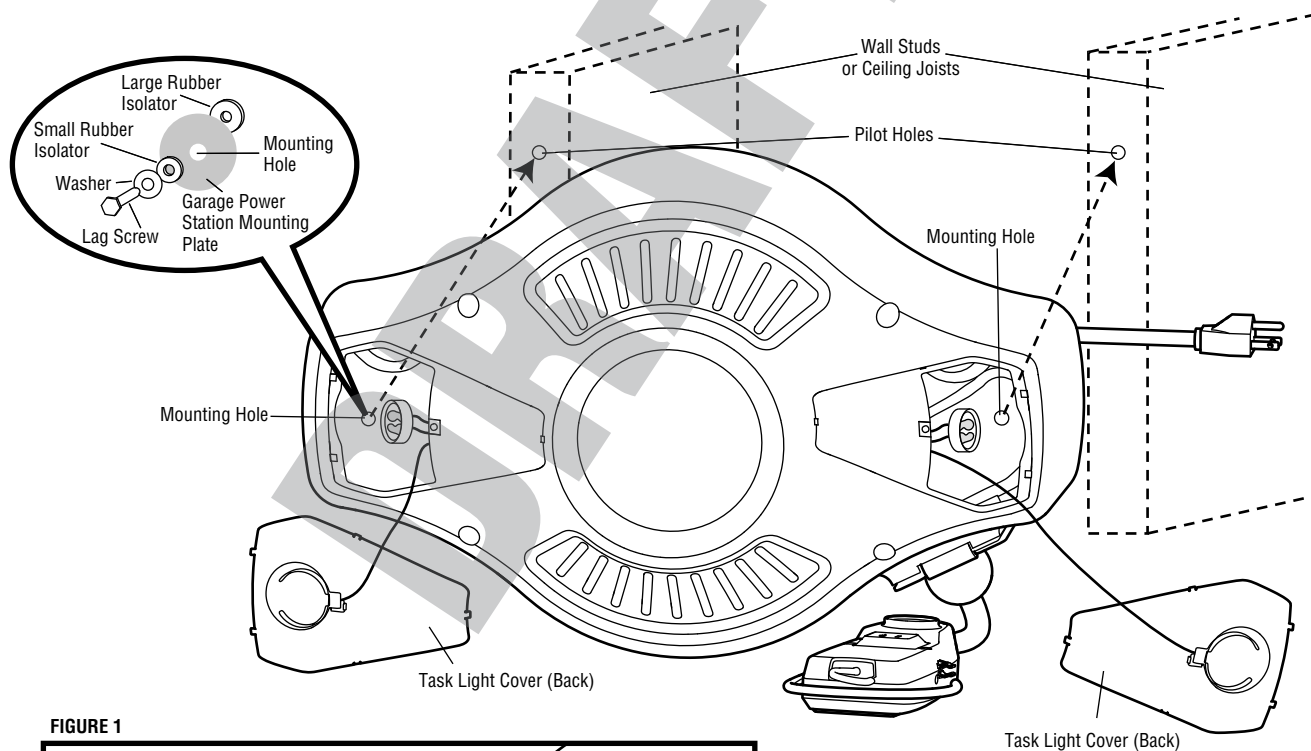
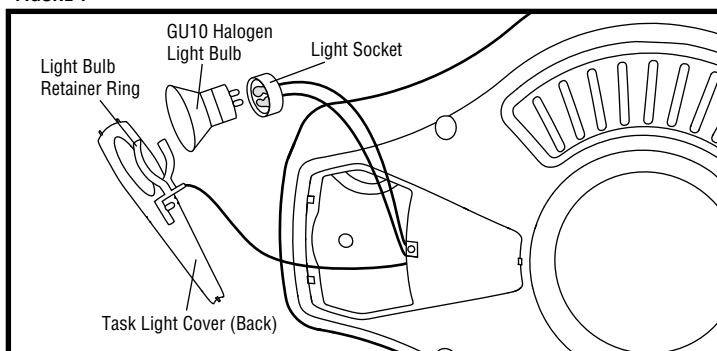


FIGURE 1



## OPERATION

Pull the work light assembly down to a position where the reel prevents the cord from being retracted and release to activate the Garage Power Station. The task lights will turn on and power will be supplied to the outlet in the work light. Power will be supplied to the compressor and will run for 3 – 5 seconds to fill air hose to cutoff pressure.

### WORK LIGHT

Turn on the work light by pressing the on/off button on the work light assembly. Press the on/off button again to turn the work light off.

### INFLATOR

#### To inflate vehicle or bicycle tire:

1. Pull the work light assembly near the tire to be inflated and at a point where the cord does not automatically retract when released.
2. Pull the hose out of the retainer on the side of the work light assembly.
3. Press the lever on the quick connect locking tire chuck valve and push over the end of the tire valve.
4. Release the lever to lock onto the valve. The tire will immediately start to inflate.
5. Monitor the pressure gauge on the back of the work light.
6. Press the lever on the tire chuck and pull off the tire valve when desired pressure is reached. The inflator will then turn off.
7. Replace the hose in the retainer on the side of the work light assembly.
8. Pull and release the work light assembly so it automatically returns to the fully retracted position and power to the Garage Power Station is turned off.

#### To inflate an object with the inflation accessory:

1. Select the appropriate inflation accessory.
2. Insert the inflation accessory into the desired object to be inflated.

3. Pull the hose out of the retainer on the side of the work light assembly.
4. Press the lever on the quick connect locking tire chuck valve and push over the end of the inflation accessory.
5. Release the lever to lock onto the inflation accessory. The object will immediately start to inflate.
6. Monitor the pressure gauge on the back of the work light assembly.
7. Pull the inflation accessory out of object when desired pressure is reached.
8. Press lever on the tire chuck and pull the inflation accessory out of tire chuck. The inflator will then turn off.
9. Replace the hose in the retainer on the side of the work light assembly.
10. Pull and release the work light assembly so it automatically returns to the fully retracted position and power to the Garage Power Station is turned off.

### HOOK

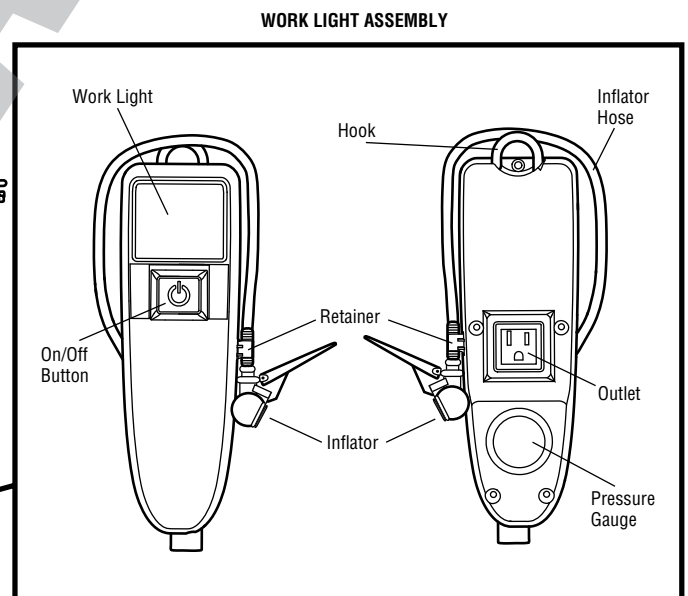
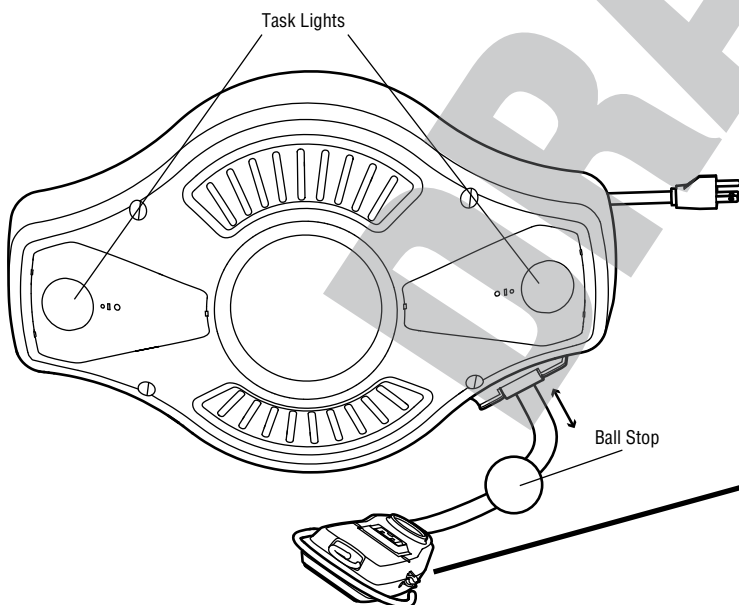
Pull the hook out of top of the work light assembly and hang at desired location. Before storing, return the hook to the original position making sure it snaps into place.

### TASK LIGHTS

To turn on the task lights, pull the work light assembly down slightly to a position where it does not retract automatically and release. To turn off the task lights, pull on the work light assembly to the fully retracted position.

### BALL STOP

The ball stop acts as a stop for the retractable work light assembly and activates a switch to turn off the air compressor. The ball stop can be adjusted by loosening the four screws on the ball stop, sliding the ball stop along the cable, then tightening the screws at the desired position.



## TROUBLESHOOTING

### THE GARAGE POWER STATION WILL NOT TURN ON.

*Possible causes:*

- **The Garage Power Station is not plugged in.** Plug the Garage Power Station into a working 120 Vac socket.
- **The circuit breaker is tripped.** Reset circuit breaker.
- **The Garage Power Station has overheated.** Unplug the Garage Power Station and wait until it has cooled, plug back in.

### TASK LIGHTS WILL NOT TURN ON.

*Possible causes:*

- **The Garage Power Station is not plugged in.** Plug the Garage Power Station into a working 120 Vac socket.
- **The circuit breaker is tripped.** Reset circuit breaker.
- **The light bulbs are have burned out.** Replace bulbs.

### THE WORK LIGHT WILL NOT TURN ON OR NO POWER AT OUTLET IN WORK LIGHT ASSEMBLY.

*Possible causes:*

- **The Garage Power Station is not plugged in.** Plug the Garage Power Station into a working 120 Vac socket.
- **The circuit breaker is tripped.** Reset circuit breaker.

### THE INFLATOR KEEPS RUNNING WHEN DISCONNECTED FROM TIRE OR INFLATOR ACCESSORIES

*Possible causes:*

- **The pin valve in the tire chuck is stuck open.** Use a small screwdriver to push in pin valve and release to stop airflow.
- **There is an air leak in the system.** Find the leak and repair.

## REPLACEMENT PARTS

Task Light Cover . . . . .	TBD
Garage Power Station Cover . . . . .	TBD

## WARRANTY

### CHAMBERLAIN® TWO YEAR LIMITED WARRANTY

The Chamberlain Group, Inc.® (“Seller”) warrants to the first retail purchaser of this product, for the residence in which this product is originally installed, that it is free from defects in materials and/or workmanship for a period of two years from the date of purchase. The proper operation of this product is dependent on your compliance with the instructions regarding installation and operation. Failure to comply strictly with those instructions will void this limited warranty in its entirety.

If, during the limited warranty period, this product appears to contain a defect covered by this limited warranty, call 1-800- 528-9131, toll free, before dismantling this product. You will be advised of disassembly and shipping instructions when you call. Then send the product or component, pre-paid and insured, as directed to our service center for warranty repair. Please include a brief description of the problem and a dated proof- of-purchase receipt with any product returned for warranty repair. Products returned to Seller for warranty repair, which upon receipt by Seller are confirmed to be defective and covered by this limited warranty, will be repaired or replaced (at Seller’s sole option) at no cost to you and returned pre-paid. Defective parts will be repaired or replaced with new or factory rebuilt parts at Seller’s sole option. [You are responsible for any costs incurred in removing and/or reinstalling the product or any component.] Any parts sent by the retail purchaser of the product which are replaced by the Seller become the sole property of the Seller.

**ALL IMPLIED WARRANTIES FOR THE PRODUCT, INCLUDING BUT NOT LIMITED TO ANY IMPLIED WARRANTIES OF MERCHANTABILITY AND FITNESS FOR A PARTICULAR PURPOSE, ARE LIMITED IN DURATION TO THE APPLICABLE LIMITED WARRANTY PERIOD SET FORTH ABOVE FOR THE RELATED COMPONENT(S), AND NO IMPLIED WARRANTIES WILL EXIST OR APPLY AFTER SUCH PERIOD. Some states do not allow limitations on how long an implied warranty lasts, so the above limitation may not apply to you. THIS LIMITED WARRANTY DOES NOT COVER NON-DEFECT DAMAGE, DAMAGE CAUSED BY IMPROPER INSTALLATION, OPERATION OR CARE (INCLUDING, BUT NOT LIMITED TO ABUSE, MISUSE, UNAUTHORIZED REPAIRS OR ANY ALTERATIONS TO THIS PRODUCT), LABOR CHARGES FOR REINSTALLING A REPAIRED OR REPLACED UNIT, REPLACEMENT OF CONSUMABLE ITEMS (E.G. FLOOD LAMPS), OR UNITS INSTALLED FOR NON-RESIDENTIAL USE. THIS LIMITED WARRANTY DOES NOT COVER ANY PROBLEMS WITH, OR RELATING TO STUD FRAMING OR CEILING TRUSSES. THIS LIMITED WARRANTY ALSO DOES NOT COVER ANY PROBLEMS CAUSED BY INTERFERENCE. UNDER NO CIRCUMSTANCES SHALL SELLER BE LIABLE FOR CONSEQUENTIAL, INCIDENTAL OR SPECIAL DAMAGES ARISING IN CONNECTION WITH USE, OR INABILITY TO USE, THIS PRODUCT. IN NO EVENT SHALL SELLER’S LIABILITY FOR BREACH OF WARRANTY, BREACH OF CONTRACT, NEGLIGENCE OR STRICT LIABILITY EXCEED THE COST OF THE PRODUCT COVERED HEREBY. NO PERSON IS AUTHORIZED TO ASSUME FOR US ANY OTHER LIABILITY IN CONNECTION WITH THE SALE OF THIS PRODUCT.**

Some states do not allow the exclusion or limitation of consequential, incidental or special damages, so the above limitation or exclusion may not apply to you. This limited warranty gives you specific legal rights, and you may also have other rights, which vary from state to state.

## Free Manuals Download Website

<http://myh66.com>

<http://usermanuals.us>

<http://www.somanuals.com>

<http://www.4manuals.cc>

<http://www.manual-lib.com>

<http://www.404manual.com>

<http://www.luxmanual.com>

<http://aubethermostatmanual.com>

Golf course search by state

<http://golfingnear.com>

Email search by domain

<http://emailbydomain.com>

Auto manuals search

<http://auto.somanuals.com>

TV manuals search

<http://tv.somanuals.com>