

Model No.
CZ2011O – Oak Finish
CZ2011C – Cherry Finish
CZ2011W – Walnut Finish
CZ2011B – Black Finish

**COMFORT
ZONE®**

DIGITAL QUARTZ INFRARED HEATER

OWNER'S MANUAL



PLEASE SAVE THESE INSTRUCTIONS

WARNING: READ THIS OWNER'S MANUAL CAREFULLY BEFORE USE.

Thank you for choosing the Comfort Zone® Digital Quartz Infrared Heater. This owner's manual will provide you with valuable information necessary for the proper care and maintenance of your new product. Please take a few moments to thoroughly read the instructions and familiarize yourself with all the operational aspects of your new heater.

IMPORTANT INSTRUCTIONS

When using this electric unit, basic safety precautions should always be followed to reduce the risk of fire, electric shock, and injury to persons, including the following:

1. Read ALL instructions before using this unit.
2. CAUTION: Risk of Electric Shock. DO NOT open or try to repair the heater yourself.
3. This heater may get hot when in use. To avoid burns, DO NOT let bare skin touch hot surfaces. If provided, use handles when moving this heater.
4. Keep combustible materials, such as furniture, pillows, bedding, paper, clothes, and curtains at least 3 ft from the front of the heater and keep them away from the sides, top, and rear. DO NOT place towels or other objects on the heater.
5. Extreme caution is necessary when any heater is used by or near children or the disabled, or any time the heater is operating.
6. Do not operate this heater unattended or while sleeping.
7. DO NOT operate any heater with a damaged cord or after the heater malfunctions, has been dropped or damaged in any manner. Return heater to authorized service facility for examination, electrical or mechanical adjustment, or repair.
8. This heater is not intended for use in bathrooms, laundry areas and similar indoor locations. NEVER locate heater where it may fall into a bathtub or other water container. To protect against electrical hazards, DO NOT immerse in water or other liquids.
9. DO NOT touch the control panel or plug with a wet hand.
10. DO NOT run cord under carpeting. DO NOT cover cord with throw rugs, runners, or similar coverings. Arrange cord away from traffic area and where it will not be tripped over.
11. DO NOT insert or allow foreign objects to enter any ventilation or exhaust opening as this may cause an electric shock or fire, or damage the heater.
12. To prevent a possible fire, DO NOT block the air intakes or exhaust in any manner. DO NOT use on soft surfaces, like a bed, where openings may become blocked.
13. A heater has hot and arcing or sparking parts inside. DO NOT use in areas where gasoline, paint, explosive and/or flammable liquids are used or stored. Keep unit away from heated surfaces and open flames.

14. Do not use an extension cord because the extension cord may overheat and cause a risk of fire.
15. To avoid fire or shock hazard, plug the unit directly into a 120V AC electrical outlet.
16. To disconnect heater, turn controls to OFF, then remove plug from outlet. Pull firmly on the plug, DO NOT unplug by pulling on the cord.
17. Always unplug the unit before moving or cleaning, or whenever the heater is not in use.
18. Use only for intended household use as described in this manual. Any other use not recommended by the manufacturer may cause fire, electric shock, or injury to persons. The use of attachments not recommended or sold by unauthorized dealers may cause hazards.
19. Always use on a dry, level surface. Use on floor only.
20. DO NOT use outdoors.
21. WARNING: To reduce the risk of fire or electric shock, DO NOT use this unit with any solid-state speed control device.
22. DO NOT attempt to repair or adjust any electrical or mechanical functions on this unit. Doing so will void your warranty. The inside of the unit contains no user serviceable parts. Qualified personnel should perform all servicing only.
23. Connect to properly grounded outlets only.
24. PET OWNERS NOTE: The health of birds and some small pets are extremely sensitive to the fumes given off during the initial use of many appliances. Although these fumes are not harmful to humans, it is recommended that this heater not be used around birds and small pets during its initial use until the manufacturing corrosion coatings burn off.

25. SAVE THESE INSTRUCTIONS.

SPECIFICATIONS

Voltage Rating	120 V (60Hz)
Power Consumption	1000/1500W (12.5 Amps), 5120 BTUs
Unit Size	12-3/4 in. (W) x 20 in. (D) x 17-3/4 in. (H)
Unit Weight	41.8 lbs

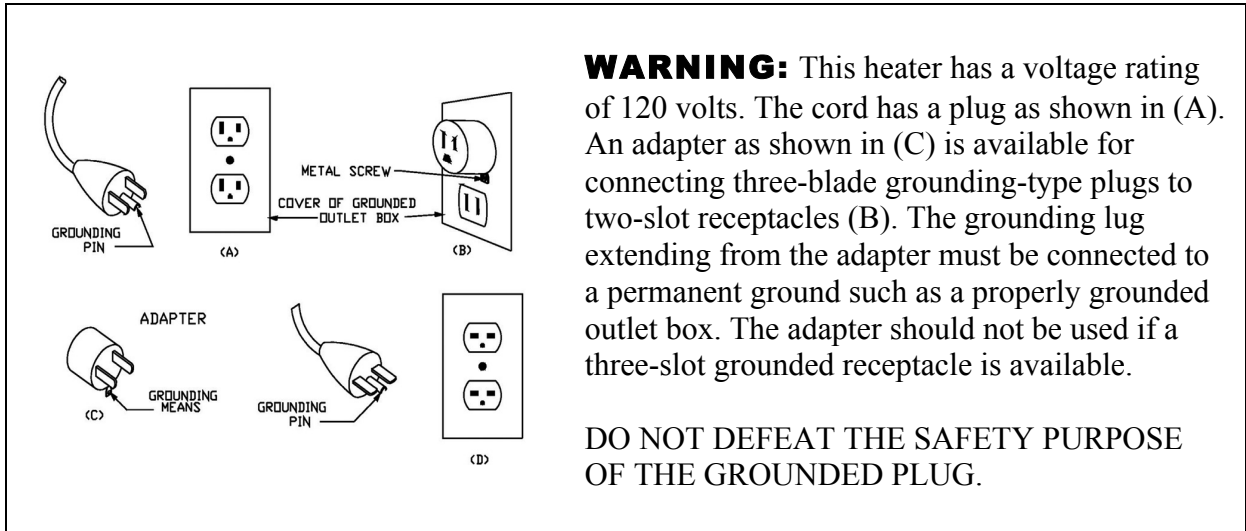
SAFETY FEATURES

Tip-Over Safety Feature

This heater is equipped with a tip-over safety feature. Once the heater is tipped over, an internal switch will automatically shut the heater off. Once the heater is restored an upright position, the heater will reset. To continue operation, turn on the heater using the supplied remote control or the control panel on the heater.

Overheat Safety Feature

This heater is equipped with a overheat safety feature. When the heaters internal components reach a certain temperature that could cause overheat and possible fire, the heater will automatically shut off. To reset the heater simply turn the unit off, unplug the heater for about 10 minutes. Plug in and turn it on.

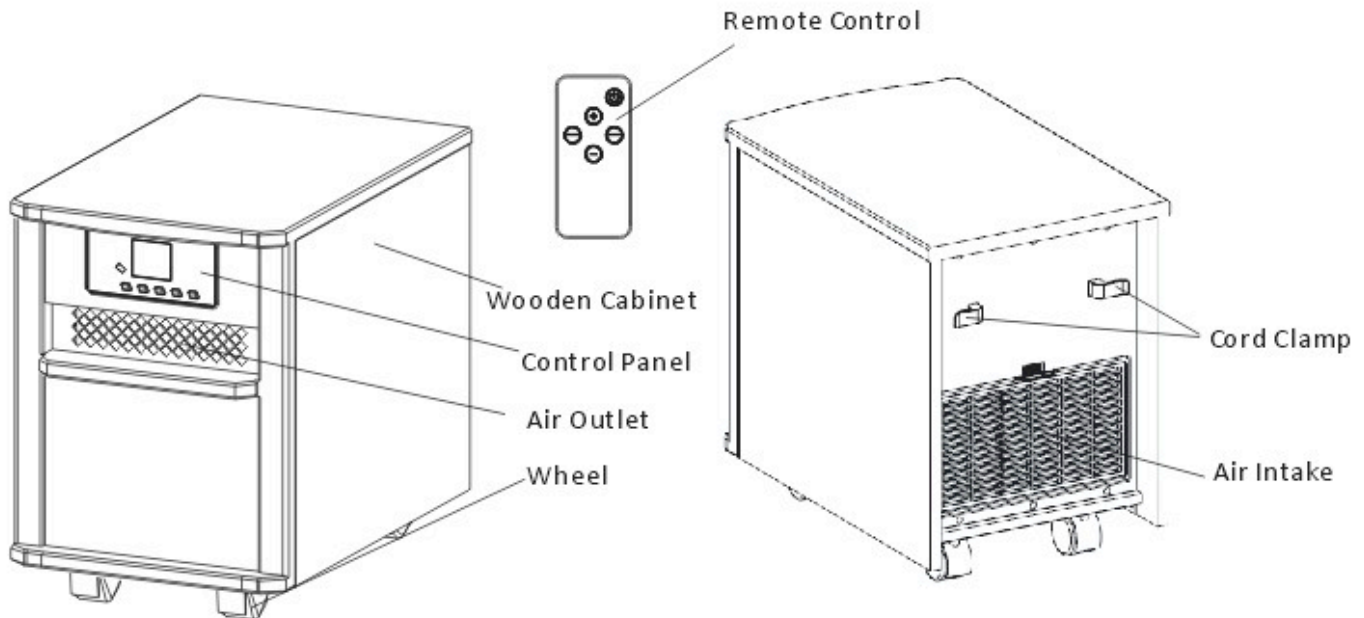


WARNING: It is normal for the power cord to feel warm to the touch; however, a loose fit between the outlet and the plug may cause overheating of the plug. If this occurs, try inserting the plug into a different outlet. Contact a qualified electrician to inspect the original outlet for damage. If the plug is loose, do not use this outlet.

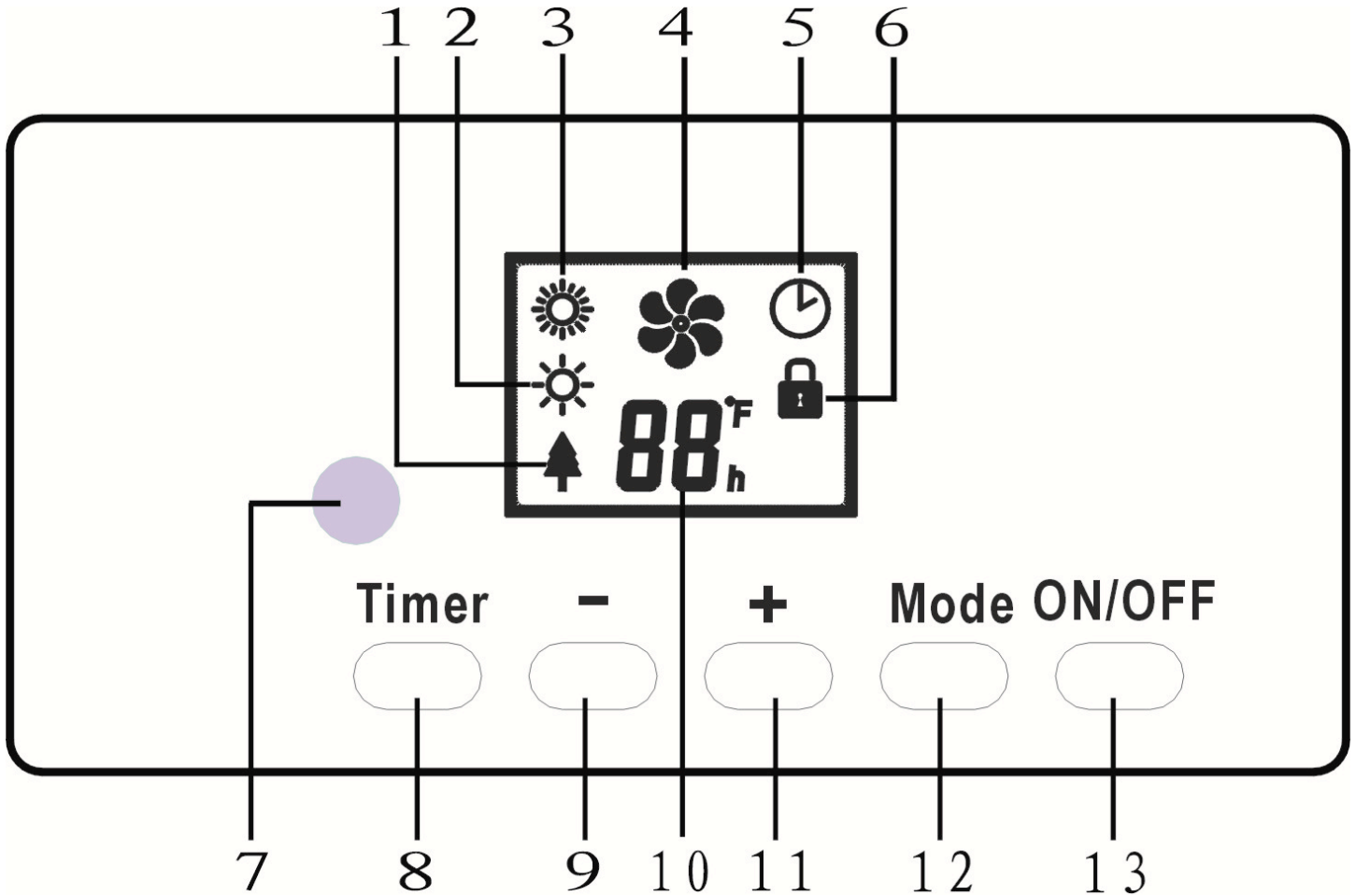
IN THE BOX

- DIGITAL QUARTZ INFRARED HEATER
- REMOTE CONTROL
- REMOTE CONTROL BATTERY
- INSTRUCTION BOOKLET

PRODUCT DIAGRAM



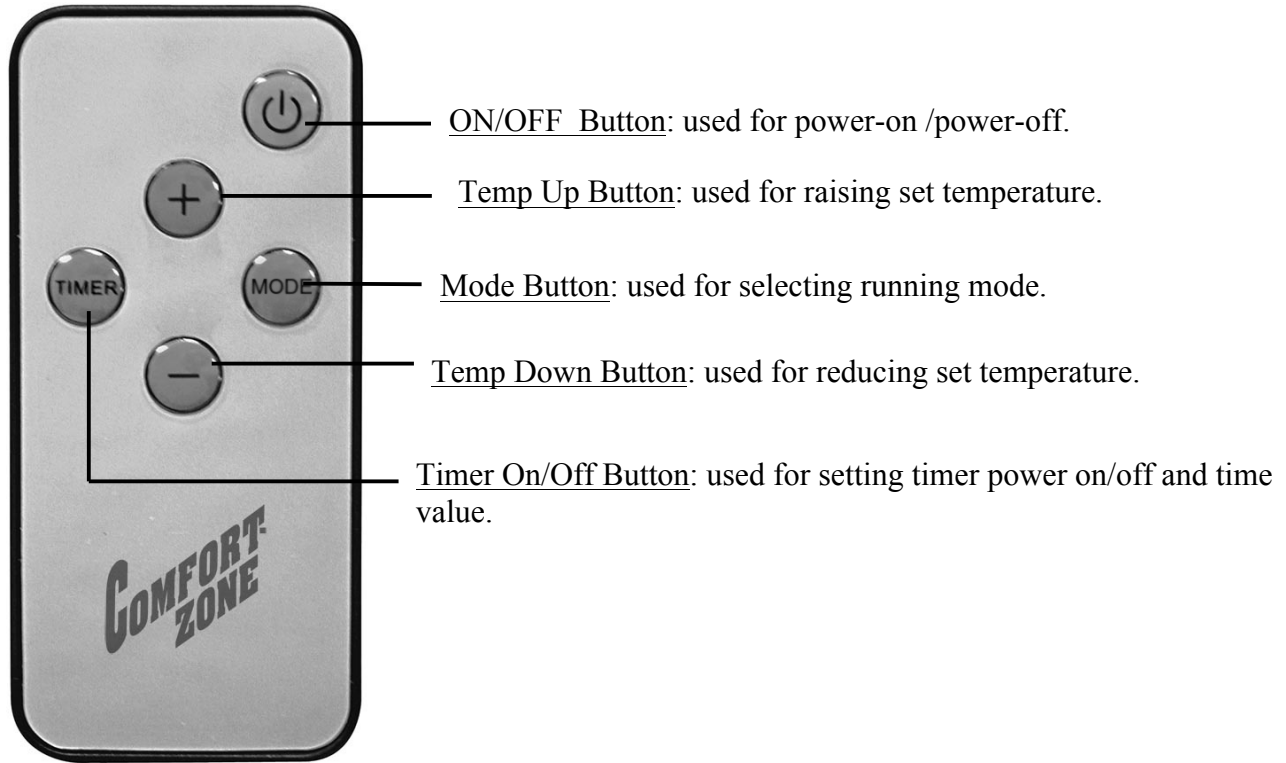
Control Panel



1. Energy-Saving Function Indicator: indicates when energy-saving mode is on.
2. Low Power Indicator: indicates when low 1000 watt mode is on.
3. High Power Indicator: indicates when high 1500 watt mode is on.
4. Fan Indicator: shows when fan is running.
5. Timer Indicator: indicates when timer functions are on either in auto-on or auto-off mode.
6. Control Panel Lock: indicates when operation buttons are locked.
7. Signal Receiving Window: used for receiving remote control signal.
8. Timer Power-On/Off Button: used for turning timer function on or off.
9. Temperature Down Button: used for reducing set temperature and timer duration.
10. Temperature and Time Value Display: indicate set temperature and timer increment.
11. Temperature Up Button: used for raising set temperature and timer duration.
12. Mode Button: used for selecting running mode, high power, low power or energy-saver.
13. On/Off Button: turns heater on or off.

Remote Control

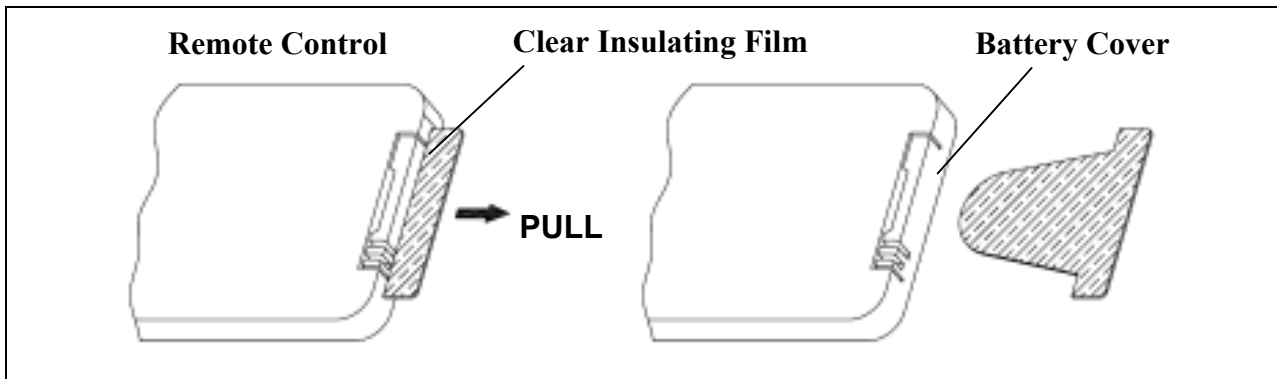
The remote control buttons function the same way as they do on the control panel.



PREPARATION

Place the heater on a firm, level surface and plug into a grounded 120V 60Hz power outlet. Only operate heater in upright position with caster wheels attached.

When using remote control, please pull out the clear insulating film to activate the battery as shown below.



OPERATING INSTRUCTIONS

1. Power On and Select Power Mode.

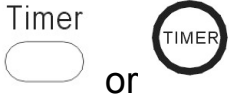

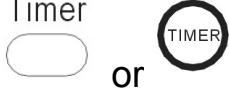


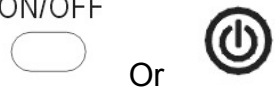
<p>ON/OFF Or</p>	<p>Turn the heater on by pressing the ON/OFF button on the control panel or by pressing the POWER button on the supplied remote control.</p>
<p>Mode Or</p>	<p>Select a heat setting. Press the MODE button to toggle between the three heat settings.</p>
	<p>Power for high mode is 1500 watts; and low mode is 1000 watts. ECO mode is an Energy Saving Function. When ECO mode is chosen the heater will automatically switch from high mode to extra low mode and consume only 500 watts of power when the room temperature reaches the set temperature point.</p>

2. Set Thermostat Room Temperature

<p>- Or + Or Or</p>	<p>Adjust the thermostat by pressing the - or + on the control panel or remote control to desired temperature. The temperature indicator will flash during the setting process. The heater will accept the temperature when it stops flashing and begin to operate.</p>
	<p>Set temperature indication varies from 59°F to 86°F. Once you have chosen the desired temperature, the heater will remain on until the room temperature increases to the temperature on the digital display. The heater will cycle on and off to maintain the desired room temperature. Note: Unit may not operate in rooms over 86°F. Temperature sensing devices will shut unit off in any mode.</p>

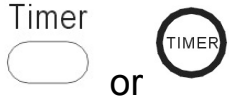

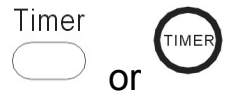


3. Set Timer Power-Off




The unit has a timer feature that will turn the heater OFF after a set amount of time. The duration is set in 1-hour intervals.

 <p>Timer or</p>	<p>With heater power ON, press the "Timer" on the control panel or "TIMER" button on remote control.</p>
	<p>Time in the LED display flashes.</p>
 <p>Timer or</p>	<p>Press the "Timer" button on the control panel or "TIMER" button on the remote control to adjust time value for timer power-off. Time value can be increased at 1-hr intervals.</p>
	<p>Time value for timer power-off stops flashing 10 seconds after time value adjustment, the timer is now set to turn heater off.</p>
	<p>Timer indicator on control panel indicates timer's functioning.</p>
 <p>ON/OFF or</p>	<p>Press ON/OFF button either on control panel or remote control to cancel the timer. The timer indicator is off and time value disappears.</p>

4. Set Timer Power-On

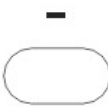
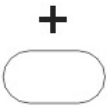

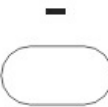
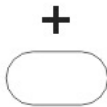
The unit has a timer feature to turn the heater ON after a set amount of time. The duration is set in 1-hour intervals.

 <p>Timer or</p>	<p>With the heater power OFF, press the button "Timer" button on control panel or "TIMER" button on remote control.</p>
	<p>Time in LED display flashes.</p>
 <p>Timer or</p>	<p>Press the "Timer" button on control panel or "TIMER" button on remote control to adjust time value for timer power-on. Value can be increased at 1-hr intervals.</p>
	<p>Time value for timer-power-on stops flashing 10 seconds after time value adjustment for timer power-on. Then timer is now set to turn heater on.</p>
	<p>Timer indicator on control panel indicates timer's functioning.</p>




 ON/OFF  Or 	<p>Press ON/OFF button either on control panel or remote control to cancel the timer. The timer indicator is off and time value disappears.</p>
--	---

5. Set Control Panel Button Lock

The control Panel has a locking feature for child safety. The control panel lock will also disable the remote control.

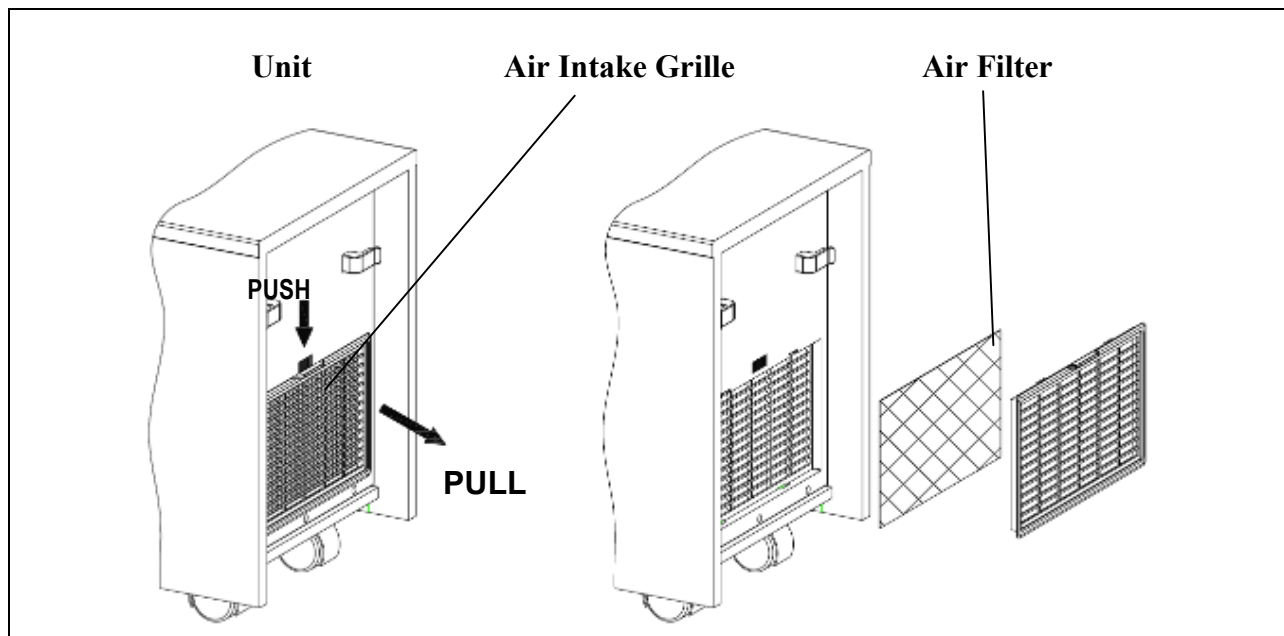
 -  + And	<p>On the control panel, press Temp Up and Temp Down buttons together for 3 seconds. The control panel is locked when you hear the tone.</p>
	<p>Lock mark on the LED screen indicates control panel is locked. Unit can be locked in both timer power-on and timer power-off modes. When locked, control panel and remote control will not operate.</p>
 -  + And	<p>To unlock control panel, press Temp Up and Temp Down buttons together for 3 seconds. The unit will unlock and confirm with a tone. Lock indicator disappears. Control panel and remote control function as normal.</p>

6. Additional LED Screen Indicators and Information

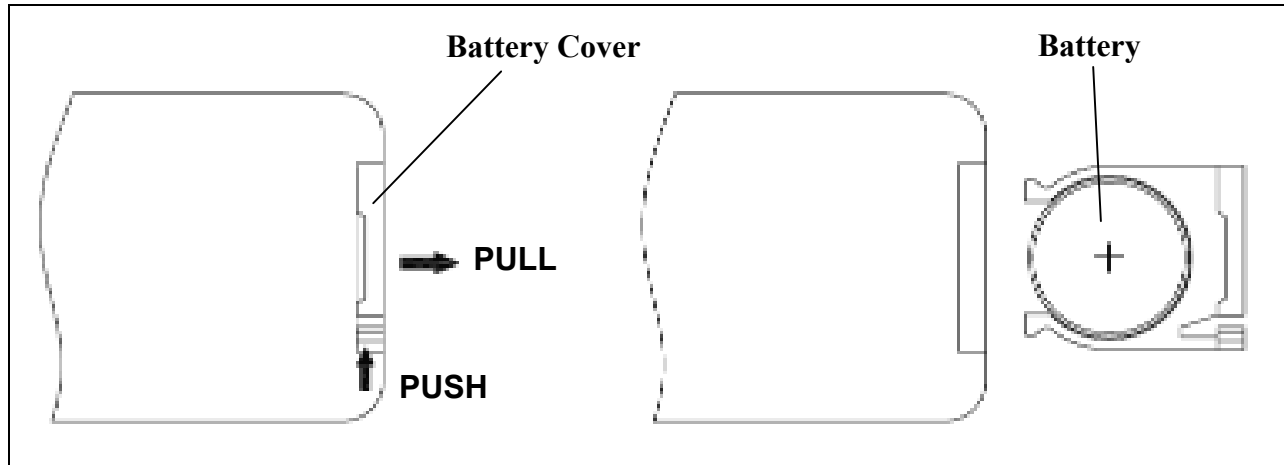
	<p>Indicator will rotate showing fan is moving.</p>
	<p>Solid fan indicator shows when fan is in stand-by mode when temperature in space is reached.</p>
	<p>When power is turned off to the heater, the fan will continue to run for a period of time (up to 4 minutes) to use any residual heat inside the unit and cool down the Infrared Quartz Elements inside the unit. This is a normal function of the heater.</p>

MAINTENANCE

1. Unplug the unit and let it cool completely.
2. To keep the heater clean, the outer shell may be cleaned with a soft, damp cloth. You may use a mild detergent if necessary. After cleaning, dry the unit with a soft cloth. **CAUTION: DO NOT** let liquid enter the heater.
3. **DO NOT** use alcohol, gasoline, abrasive powders, furniture polish, or rough brushes to clean the heater. This may cause damage or deteriorate the surface of the heater.
4. **DO NOT** immerse the heater in water.
5. Wait until the unit is completely dry before use.
6. Clean the air filter after 3 months of use or when the filter appears to be dirty. The below diagram shows the location of the air filter. Remove the Air Intake Grille by pulling handle down and outwards. Wash the filter with clean water. Allow filter to completely dry before reassembling back onto the heater.



1. If you do not plan on using the heater for a long period of time, please remove the remote control battery according to the below diagram.



STORAGE

Store the heater in a cool, dry location when not in use. To prevent dust and dirt build-up, use the original packaging to repack the unit.

TROUBLESHOOTING

If the heater will not operate, please check the following before seeking repair or service:

1. Check if the power cord is plugged into an electrical outlet, if not, plug it in.
2. Check if there is power to the outlet.
3. Check if the battery in remote control is good and that the battery insulating film is pulled out (see remote preparation on page 6 of this manual).

NOTE: The heater may not operate if the thermostat is set higher than the ambient room temperature. To begin operation, increase the thermostat temperature setting on the heater using the control panel buttons or remote control buttons.

LIMITED WARRANTY

Products manufactured by Comfort Zone® are warranted to the original consumer to be free of defects in material and workmanship for twelve (12) months from the original date of purchase. The warranty does not cover products modified outside our factory, damage or failure caused by acts of God, abuse, misuse, abnormal usage, faulty installation, failure to follow suggested maintenance procedures enclosed with this product (as defined by Magnuson-Moss Warranty-Federal Trade Commission Improvement Act) This unit is guaranteed to the original retail purchaser against defects in quality or workmanship for a period of one year from the date of original purchase. If this unit fails because of a manufacturing defect within 30 days of purchase, return the unit, with your receipt, to the retailer. After 30 days, but within the warranty period, if the unit was purchased within the continental United States, return it, freight prepaid, to Comfort Zone® for repair or replacement. If the unit was purchased outside the continental United States, return the unit to the place of purchase. This warranty does not cover damage due to accidents, operation on other than 120 volts, 60 hertz, AC. current, or any other abuse. All implied warranties, including the warranties of merchantability and of fitness of purpose, if applicable, are hereby limited in duration to the period of one year from the date of original retail purchase. Some states do not allow limitations on how long an implied warranty lasts, so the above limitations may not apply to you. Incidental or consequential damages arising from a breach of either express or implied warranties are hereby disclaimed and excluded. Some states do not allow the exclusion of limitation of incidental or consequential damages, so this limitation or exclusion may not apply to you.

This warranty gives you specific legal rights, and you may also have other rights which vary from state to state. No informal dispute settlement mechanisms are available. This limited warranty is given in lieu of all other warranties.

Manufactured for:
Comfort Zone®
324A Half Acre Rd.
Cranbury, NJ 08512 USA
800-221-6895
www.comfortzoneheaters.net

Free Manuals Download Website

<http://myh66.com>

<http://usermanuals.us>

<http://www.somanuals.com>

<http://www.4manuals.cc>

<http://www.manual-lib.com>

<http://www.404manual.com>

<http://www.luxmanual.com>

<http://aubethermostatmanual.com>

Golf course search by state

<http://golfingnear.com>

Email search by domain

<http://emailbydomain.com>

Auto manuals search

<http://auto.somanuals.com>

TV manuals search

<http://tv.somanuals.com>