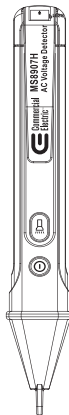




Item #1000 017 385  
Model # MS8907H

## USE AND CARE GUIDE

### NON-CONTACT AC VOLTAGE DETECTOR



Questions, problems, missing parts? Before returning to the store, call Home Depot Customer Service 8 a.m. - 6 p.m., EST, Monday-Friday

1-877-527-0313

HOMEDEPOT.COM

#### THANK YOU

We appreciate the trust and confidence you have placed in Commercial Electric through the purchase of this Voltage Detector. We strive to continually create quality products designed to enhance your home. Visit us online to see our full line of products available for your home improvement needs. Thank you for choosing Commercial Electric!

#### Table Of Contents

Table of Contents.....	2	Pre-Operation.....	4
Safety Information.....	2	Battery Installation.....	5
FCC Compliance Statement.....	3	Operation.....	6
Warranty.....	3		

#### Safety Information

#### SAFETY SYMBOLS

Symbol	Definition
	Indicates important safety information.
	Equipment protected throughout by double insulation or reinforced insulation.
	Conforms to UL STD. 61010-1, 61010-2-030 and 61010-031
<b>CAT II</b>	(MEASUREMENT CATEGORY II) is applicable to test and measuring circuits connected directly to utilization points (socket outlets and similar points) of the low-voltage MAINS installation.
<b>CAT III</b>	(MEASUREMENT CATEGORY III) is applicable to test and measuring circuits connected to the distribution part of the building's low-voltage MAINS installation.

#### PRECAUTIONS

**WARNING:** BE EXTREMELY CAREFUL IN THE USE OF THIS DEVICE. Improper use of this device can result in injury or death. Follow all safeguards suggested in this manual in addition to the normal safety precautions used in working with electrical circuits. DO NOT service this device if you are not qualified to do so.

**CAUTION:** Read, understand, and follow the safety rules and operating instructions of this manual before you use the product. Protection provided by the instrument will be impaired if used in a manner not specified by the manufacturer. Before measuring hazardous voltages, first measure a voltage which is known to determine if the equipment operates correctly.

**SELF TEST TIPS:** Before using this product, press the power button to perform a self test. If the detector is working properly, the LED light will flash. If the LED does not flash, the detector is not working properly.



#### FCC Compliance Statement

**WARNING:** THIS DEVICE COMPLIES WITH PART 15 OF THE FCC RULES. OPERATION IS SUBJECT TO THE FOLLOWING TWO CONDITIONS: (1) THIS DEVICE MAY NOT CAUSE HARMFUL INTERFERENCE, AND (2) THIS DEVICE MUST ACCEPT ANY INTERFERENCE RECEIVED, INCLUDING INTERFERENCE THAT MAY CAUSE UNDESIRE OPERATION.

**NOTE:** THIS EQUIPMENT HAS BEEN TESTED AND FOUND TO COMPLY WITH THE LIMITS FOR A CLASS B DIGITAL DEVICE, PURSUANT TO PART 15 OF THE FCC RULES. THESE LIMITS ARE DESIGNED TO PROVIDE REASONABLE PROTECTION AGAINST HARMFUL INTERFERENCE IN A RESIDENTIAL INSTALLATION. THIS EQUIPMENT GENERATES USES AND CAN RADIATE RADIO FREQUENCY ENERGY, IF NOT INSTALLED AND USED IN ACCORDANCE WITH THE INSTRUCTIONS, MAY CAUSE HARMFUL INTERFERENCE TO RADIO COMMUNICATIONS. HOWEVER, THERE IS NO GUARANTEE THAT INTERFERENCE WILL NOT OCCUR IN A PARTICULAR INSTALLATION. IF THIS EQUIPMENT DOES CAUSE HARMFUL INTERFERENCE TO RADIO OR TELEVISION RECEPTION, WHICH CAN BE DETERMINED BY TURNING THE EQUIPMENT OFF AND ON, THE USER IS ENCOURAGED TO TRY TO CORRECT THE INTERFERENCE BY ONE OR MORE OF THE FOLLOWING MEASURES:

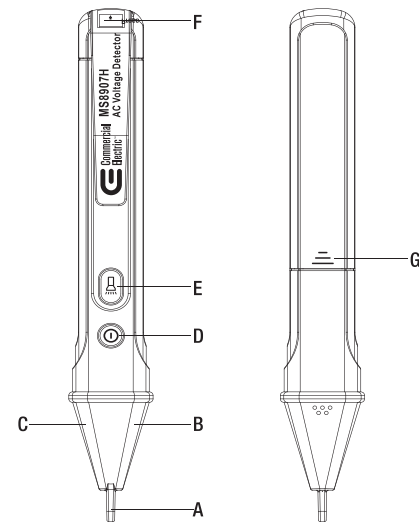
- REORIENT OR RELOCATE THE RECEIVING ANTENNA.
- INCREASE THE SEPARATION BETWEEN THE EQUIPMENT AND RECEIVER.
- CONNECT THE EQUIPMENT INTO AN OUTLET ON A CIRCUIT DIFFERENT FROM THAT TO WHICH THE RECEIVER IS CONNECTED.
- CONSULT THE DEALER OR AN EXPERIENCED RADIO/TV TECHNICIAN FOR HELP.

#### Warranty

**WARRANTY:** 12 Months  
For one year from the date of purchase, this product is warranted against any defects in material or workmanship. This warranty is void if this product is ever used while providing commercial services or if rented to another person. Contact the Customer Service Team at 1-877-527-0313 or visit [www.homedepot.com](http://www.homedepot.com)

#### Pre-Operation

#### PACKAGE CONTENTS



Part	Description	Quantity
A	Probe	1
B	Green LED light	1
C	Red LED light	1
D	Power button	1
E	Spotlight button	1
F	Pocket clip	1
G	Battery cover	1



## Pre-Operation (continued)

### PRODUCT SPECIFICATIONS

Component	Specification
AC Voltage range	50V-1000V AC,50/60Hz
Safety standards	Designed to international safety standard UL 61010-1/600V CAT III, 1000V CAT II
Battery	2 x 1.5V (AAA Type)
Altitude	< 2000 m
Operating temperature	-10 to 50°C
Storage temperature	-20 to 60°C
Humidity	< 85% relative humidity
Dimensions	147 x 24 x 20 mm
Weight	Approx. 50g

## Battery Installation

### 1 Installing the battery

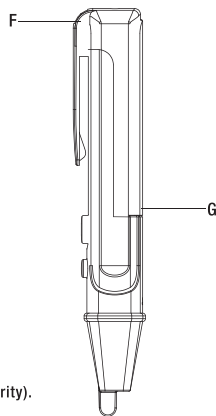
**WARNING:** To avoid electric shock, do not operate the detector until the battery cover is in place and securely fastened.

**WARNING:** The measurement must be done only with the cap on the probetip.

**WARNING:** Do not mix old and new batteries. Do not mix alkaline, standard (carbon-zinc), or rechargeable (ni-cad, ni-mh, etc) batteries.

**NOTE:** If your detector does not work properly, check the batteries to make sure they are still good and are properly inserted.

- Open the battery cover (G) by simultaneously pressing the top of the pocket slip (F) and pushing the battery cover (G) out.
- Insert two AAA batteries (Ensure the correct polarity).
- Replace the battery cover (G).



## Operation

### 1 Checking the AC electrical voltage in a socket

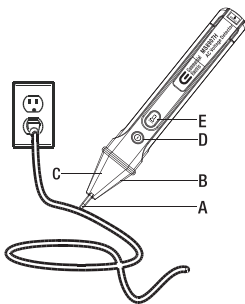
**WARNING:** Risk of Electrocutation. High-voltage circuits, both AC and DC, are very dangerous and should be measured with great care.

**WARNING:** Risk of Electrocutation. Before using to check for voltage in a socket, always test the detector on a known live circuit to verify that the detector is working properly.

**WARNING:** Risk of Electrocutation. Keep hands and fingers on the body of the detector and away from the probe tip.

- Press the Power Button (D) to turn the detector on, meanwhile the green LED light (B) is on.
- Touch the probe tip (A) to a cord plugged into the socket, or insert the probe tip (A) directly into a socket.
- If AC electrical voltage is present, the red LED light (C) on the detector flashes and the detector makes a beeping sound. Meanwhile, the green LED light (B) is off.
- When testing in the dark, press the spotlight button (E) to light the test environment, which is more safe for the user.

**WARNING:** Changes or modifications to this unit not expressly approved by the party responsible for compliance could void the user's authority to operate the equipment.



Questions, problems, missing parts? Before returning to the store,  
call Home Depot Customer Service  
8 a.m. - 6 p.m., EST, Monday-Friday

1-877-527-0313

HOMEDEPOT.COM

Retain this manual for future use.

## Free Manuals Download Website

<http://myh66.com>

<http://usermanuals.us>

<http://www.somanuals.com>

<http://www.4manuals.cc>

<http://www.manual-lib.com>

<http://www.404manual.com>

<http://www.luxmanual.com>

<http://aubethermostatmanual.com>

Golf course search by state

<http://golfingnear.com>

Email search by domain

<http://emailbydomain.com>

Auto manuals search

<http://auto.somanuals.com>

TV manuals search

<http://tv.somanuals.com>