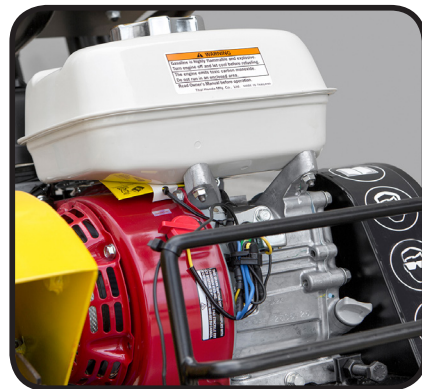




**14 IN. CONCRETE CUT-OFF SAW WALK BEHIND 5.5 HP**  
**ITEM: 61057**



**OWNER'S MANUAL AND SAFETY INSTRUCTIONS**

**SAVE THIS MANUAL: KEEP THIS MANUAL FOR SAFETY WARNINGS, PRECAUTIONS, ASSEMBLY, OPERATING, INSPECTION, MAINTENANCE AND CLEANING PROCEDURES. WRITE THE PRODUCT'S SERIAL NUMBER ON THE BACK OF THE MANUAL NEAR THE ASSEMBLY DIAGRAM (OR MONTH AND YEAR OF PURCHASE IF PRODUCT HAS NO NUMBER)**

**FOR QUESTIONS PLEASE CALL OUR CUSTOMER SUPPORT: (909) 628 4900 MON-FRI 9AM TO 3PM PST**



## GENERAL SAFETY WARNINGS

Read all safety warnings and instructions. Failure to follow the warnings and instructions may result in electric shock, fire and/or serious injury. Save all warnings and instructions for future reference.

## SAFETY

---

The warnings, precautions, and instructions discussed in this instruction manual cannot cover all possible conditions and situations that may occur. It must be understood by the operator that common sense and caution are factors which cannot be built into this product, but must be supplied by the operator. Read carefully and understand all **ASSEMBLY AND OPERATION INSTRUCTIONS** before operating. Failure to follow the safety rules and other basic safety precautions may result in serious personal injury.

- **Read and understand all instructions.** Failure to follow all instructions may result in serious injury or property damage.
- **DO NOT** allow persons to operate or assemble the product until they have read this manual and have developed a thorough understanding of how it works.
- This equipment should not be operated by person under 18 years of age
- **NEVER** operate this equipment without proper protective clothing, shatter proof glasses, steel-toed boots and other protective devices required by the job.
- The manufacturer does not assume responsibility for any accident due to equipment modifications.
- Whenever necessary, replace nameplate, operation and safety decals when they become difficult to read.
- **ALWAYS** check the machine for loosened threads or bolts before starting.
- **NEVER** touch the hot exhaust manifold, muffler or cylinder. Allow these parts to cool before servicing engine or saw.
- High Temperatures allow the engine to cool before adding fuel or performing service and maintenance functions. Contact with hot components can cause serious burns.
- The engine section of this cutter requires an adequate free flow of cooling air **NEVER** operate the cutter in any enclosed or narrow area where free flow of the air is restricted. If the air flow is restricted it will cause serious damage to the saw or engine and may cause injury to people. Remember the cutter's engine gives off **DEADLY** carbon monoxide gas.
- **ALWAYS** refuel in a well-ventilated area, away from sparks and open flames.
- **ALWAYS** use extreme caution when working with flammable liquids. When refuelling, stop the engine and allow it to cool **DO NOT** smoke around or near the machine. Fire or explosion could result from fuel vapors, or if fuel is spilled on a hot engine.
- **NEVER** operate the cutter in an explosive atmosphere or near combustible materials. An explosion or fire could result causing severe bodily harm or even death.
- Topping-off to the fuel filler port is dangerous, as it tends to spill fuel.
- **NEVER** use fuel as a cleaning agent.

- **ALWAYS** read, understand, and follow procedures in operator's Manual before attempting to operate equipment.
- **ALWAYS** be sure to operator is familiar with proper safety precautions and operating techniques before using the cutter.
- Stop the engine when leaving the cutter unattended.
- Block the unit when leaving or when using on a slope.
- Maintain this equipment in a safe operating condition at all times.
- **ALWAYS** stop the engine before servicing, adding fuel and oil.
- **NEVER** Run engine without air filter. Severe engine damage may occur.
- **ALWAYS** service air cleaner frequently to prevent carburetor malfunction.
- **ALWAYS** store equipment properly when it is not being used. Equipment should be stored in a clean, dry location out of the reach of children.
- **NEVER** operate this cutter in areas that contain combustible material or fumes. Fire and/or explosions may result from errant sparks from the equipment.
- **DO NOT** operate this equipment unless all guards and safety devices are attached and in place.
- **Caution** must be exercised while servicing this equipment. Rotating and moving pans can cause injury if contacted.
- Keep all inexperienced and unauthorized people away from the equipment at all times.
- Unauthorized equipment modifications will void all warranties.

## **DIAMOND BLADE SAFETY**

- Use appropriate steel centered diamond blades manufactured for use on concrete cutters.
- **ALWAYS** inspect diamond blades before each use. The blade should exhibit no cracks, dings, or flaws in the steel centered core and/or rim. Center (arbor) hole must be undamaged and true.
- Examine blade flanges for damage, excessive wear and cleanliness before mounting blade. Blade should fit snugly on the shaft and against the inside/outside blade flanges
- Ensure that the blade is marked with an operating speed greater than the blade shaft speed of the cutter.
- Only cut the material that is specified by the diamond blade. Read the specifications of the diamond blade to ensure the proper tool has been matched to the material being cut.
- **ALWAYS** keep blade guards in place. Exposure of the diamond blade must not exceed 180 degrees,
- Ensure that the diamond blade does not come into contact with ground or surface during transportation. **DO NOT** drop the diamond blade on ground or surface.
- The engine governor is designed to permit maximum engine speed in a no-load condition. Speeds that exceed this limit may cause the diamond blade to exceed the maximum safe allowable speed.
- Ensure that the blade is mounted for proper operating direction.

# IMPORTANT SAFETY INFORMATION

## CUTTER TRANSPORTATION SAFETY

- Use the lifting bail and appropriate lifting equipment to ensure the safe movement of the cutter.
- **DO NOT** use the handle bars and/or front pointer as lifting points,
- **NEVER** tow the saw behind a vehicle.
- Ensure that both pointer bars are positioned appropriately to minimize their exposure during transportation.
- Safeguard against extreme cutter attitudes relative to level. Engines tipped to extreme angles may cause oil to gravitate into the cylinder head making the engine difficult to start.
- **NEVER** transport the cutter with the blade mounted.
- **ALWAYS** know the location of the nearest fire extinguisher and first aid kit. Know the location of the nearest telephone. Also know the phone numbers of the nearest ambulance, doctor and fire department.

## MAINTENANCE SAFETY

- **NEVER** lubricate components or attempt service on a running machine.
- **ALWAYS** allow the machine a proper amount of time to cool before servicing.
- Keep the machinery in running condition.
- Fix damage to the machine immediately and always replace broken parts.
- Dispose of hazardous waste properly. Examples of potentially hazardous waste are used motor oil, fuel and fuel filters.



**SAVE THESE WARNINGS**



# PRODUCT INFORMATION

This floor concrete cut saw machine designed specifically for this handheld gas power cutter and for multi-purpose cutting. Its a depth-adjusted cutting machine with super rigid sturdy frame. The construction ensures concrete saw to straight cut.

- Honda GX 160 engine: 5.5 HP
- Fits bald size: 12 in. to 14 in.
- Easy to fold up and transport
- Concrete saw cut can be used for both wet and dry selection
- High quality engine 5.5 HP powered concrete saw
- Bare-tool included
- No batteries included and required
- Heavy-duty frame construction hinged blade guard
- Multi-purpose cutting machine
- Blade width: 5.9 in.
- Blade length: 13.5 in.
- Dimension: 37 in. x 32.7 in. x 19.7 in.
- Item weight: 187.3 lbs.



**Assembled Product Dimensions (L x W x H) 35.00 x 14.00 x 8.00 Inches**

<b>Assembled Depth (in.)</b>	<b>37"</b>
<b>Assembled Width (in.)</b>	<b>32.7"</b>
<b>Assembled Height (in.)</b>	<b>19.7"</b>
<b>Blade Diameter (in.)</b>	<b>12</b>
<b>Depth Adjustment</b>	<b>YES</b>
<b>Maximum Cutting Thickness (in.)</b>	<b>3</b>
<b>Tool weight (lb.)</b>	<b>187.3</b>

## **LUBRICANTS**

**ENGINE OIL: SAE 10W/30**

**GENERAL GREASE: #1 LITHIUM**

# INSTALLATION

## **Introduction/Determining the Right Machine**

The machines used for the primary purpose of “flat” sawing. This type of sawing is described as “flat” because the pavement is cut somewhere close to a horizontal plane. It is the most common type of diamond blade cutting. Concrete cutters in the industry are available in a variety of types, sizes and styles, they range from manual or self propelled in horsepower from 7-72hp. It is possible to cut both concrete (green or cured, with or without rebar) or asphalt with a concrete cutter.

## **INSTALLING THE BLADE**

1. Be certain that the spark plug is disconnected or saw is unplugged.
2. Remove the blade shaft nut and take off outside blade shaft flange.
3. Clean off any foreign particles on the clamping surfaces of flanges and on the mounting surface of the blade.
4. Place the blade on the blade shaft, lining up the offset drive pin in the blade with the drive pin in the mounting collar (if the pin system is available on the machine). If your blade has a directional rotational arrow, position arrow for down cut (diamond tail trailing for down cut).
5. Replace the outside blade shaft flange on the blade shaft. Drive pin on the inside collar must project through the drive hole in the blade and into the outside collar (if the pin system is available on the machine).
6. Tighten the blade shaft nut securely against star washer and outside flange, using wrench supplied.
7. Reconnect the spark plug or (with switch “off”) plug in the electric supply cord.

## **Types of Cutting**

Cut speed depends entirely on using the correct blade for the material to be cut. Wet or dry, diamond blades of various specifications are available for cutting concrete or asphalt.

## **Before Starting/Cold Start/Hot Start**

### **BEFORE STARTING**

1. Use correct blade for cutting conditions.
2. Ensure arbors and flanges are clean and undamaged.
3. Mount blade and tighten securely using wrench.
4. When wet cutting, check water jets for adequate flow.
4. Align pointer with cutter blade.

**CAUTION:** Set unit up in an open area. Avoid close proximity to structures or other equipment. Failure to do so may cause inadvertent injury to operator or other persons in the area.

**COLD START:** Open the fuel valve under the gas tank all the way. Position the engine stop switch located on the engine, to run. Open the throttle approximately half way and apply the choke. Pull the starter rope sharply. When the engine starts, open the choke and adjust the throttle as necessary to keep it running. Allow the engine to warm up for a few minutes before placing it under the load. If the engine doesn't start after (3) pulls open choke slightly to prevent flooding. Always operate the engine at full throttle when under load.

# OPERATION

**NOTE:** These starting instructions are general guidelines only. Since many engine options are available, consult the Engine Manual included with this unit for specific instructions.

**CAUTION: Gasoline Engines:** To improve the engine service life, allow the engine to idle without load for (2) to (5) minutes before shutting it down. When the idling period is up, use the stop switch located on the engine and turn it to stop. Close the fuel valve under the gas tank. Engine flooding can occur if the valve is left open during transport

## TO START CUTTING

1. Start engine and let engine warm up. All cutting is done at full throttle.
2. Align blade and cutter with cut. If wet cutting. Open water valve and turn water safety switch **on**
3. Step on the left side of **PEDAL** until hear a “click”, then turn on the **WHEEL HANDLE** on the top of the machine to remove the equipment forward and reverse step down the right side of **PEDAL** to change to “push” driving system.
4. Lower blade into cut slowly.
5. Cut as fast as blade will allow. If blade climbs out of cut reduce forward speed or depth of cut.
6. Use only enough side pressure on cutter handles to follow cutting line.

## Cutting/Belts & Pulleys

### CUTTING

Lower the blade into concrete to required depth by turning the tilt crank counterclockwise. Ease the saw slowly forward. Slow forward pressure if the saw begins to stall.

**NOTE:** For deeper cuts (4 inches/102mm or more) several cuts should be made in incremental steps of 1-1/2 inch (38mm) to 2 inches (51 mm) until the desired depth is reached.

Push the saw steadily forward using the front pointer as a guide. Exert enough forward pressure so that the engine/motor begins to labor, but does not slow down. If the saw begins to stall, retard forward movement until full RPM is restored to the blade. If saw stalls, raise the blade out of the cut before restarting. Avoid excessive side pressure or twisting of the blade in the cut.

### BELTS & PULLEYS

#### **NEVER MAKE ADJUSTMENTS TO V<sub>7</sub> BELTS AND PULLEYS WHILE ENGINE IS RUNNING**

1. The best tension for a v-belt drive is the lowest tension at which the belts will not slip under full load.
2. Take up tension until the belts are snug in the grooves. Run the drive for about five (5) minutes to “sear” the belts. Then impose the peak load. If the belts slip tighten them until they no longer slip at peak load. Most new belts will need additional tensioning after seating.
3. Remember, too much tension shortens belt and bearing life.
4. Check the belt tension frequently during the first day of operation. Check the belt tension periodically thereafter and make any necessary adjustments.

# TROUBLESHOOTING

UNEVEN SEGMENT WEAR	In wet cutting: Insufficient water (usually on one side of	(Wet Cutting) Check water lines
	Equipment defects also can cause the segments to wear	Make sure flow is adequate on both sides of blade and there are no blockages
	Saw head is misaligned	Use sufficient water to flush out the cut
SEGMENT CRACKS	Blade is too hard for material being cut	Use a blade with a softer bond/matrix
SEGMENT LOSS	Blade overheats because of lack of coolant(water or air).	(Wet Cutting) Check water lines.
	Core is worn from undercutting	Make sure flow is adequate on both sides of blade and there are no blockages
	Defective collars/flanges set blade out of alignment	Use sufficient water to flush out the cut
	Blade is too hard for material	(Dry Cutting) Run blade free of cut periodically to air cool
	Blade is cutting out of round, causing a pounding motion	Clean collars/flanges or replace if they are under recommended diameter
		Use proper blade specification for material being cut
	Improper blade tension	Replace worn bearings; realign blade shaft or replace worn blade mounting arbor
		When ordering blades match shaft speed of saw
Check spindle speed to ensure blade is running at correct RPM		
	Avoid twisting or turning blade in the cut	
CRACKS IN CORE	Blade flutters in cut from losing blade tension	Tighten the blade shaft nut
	Blade specification is too hard for the material being cut	Make sure blade is running at proper speed and that drive pin is functioning properly
		Use a softer bond/matrix to eliminate stress
LOSS OF TENSION	Core overheating	Make certain blade RPM is correct
	Core overheating as a result of blade spinning on arbor	Check Water flow Distribution and lines
	Core overheating from rubbing the material being cut	Tighten the blade shaft nut. Make certain the drive pin is functioning
	Unequal pressure at blade clamping collars/flanges	Properly align the saw to square cut
		Collars/flanges must be identical in diameter and the recommended size
Blade is too hard for the material being cut	Use a softer bond/matrix to reduce stress	



# TROUBLESHOOTING

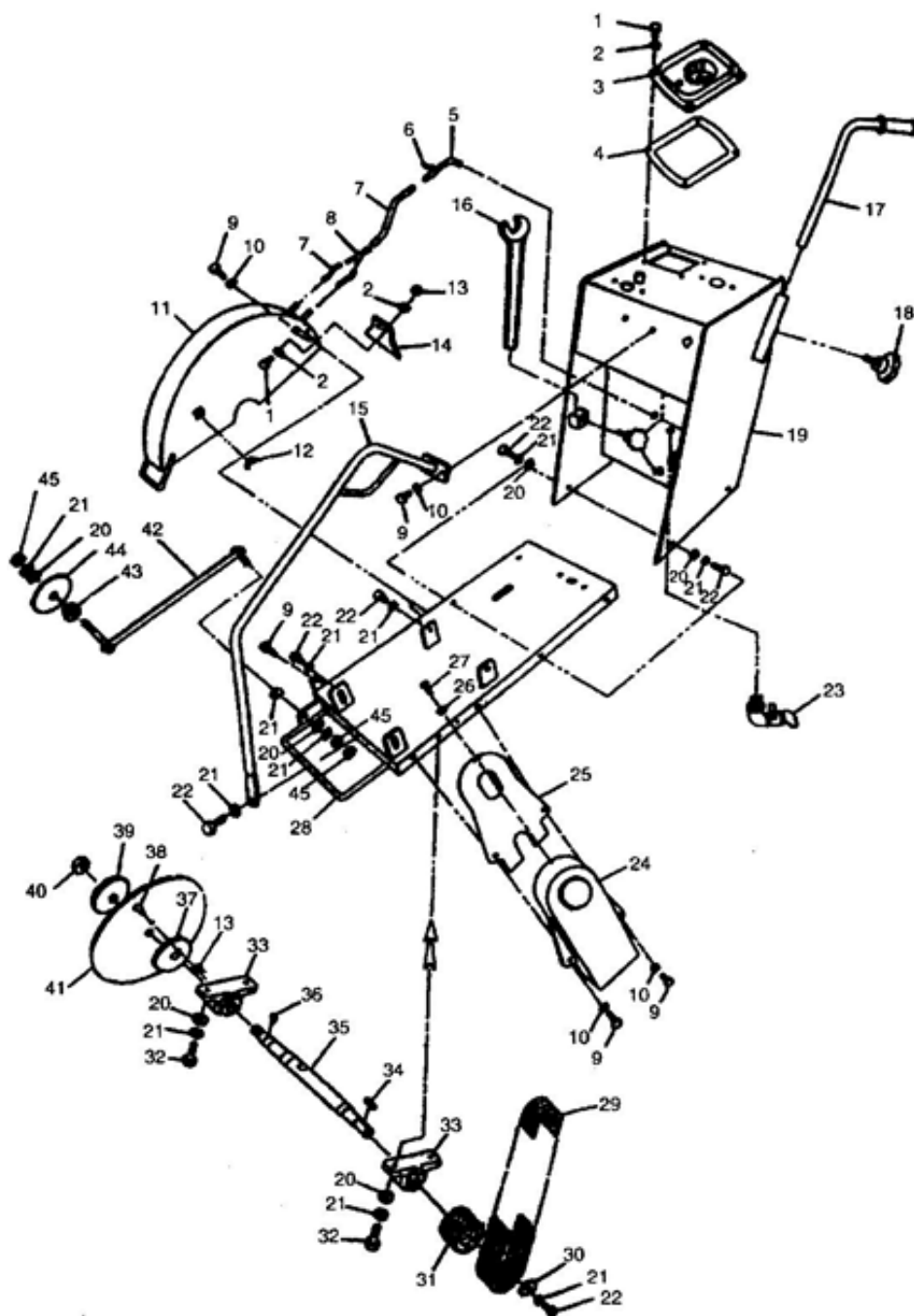
<b>PROBLEM BLADE WOBBLES</b>	Blade is on a damaged or worn saw	Check for bad bearings, bent shaft, or worn mounting arbor
	Worn collar	Check collars/flanges to make sure they are clean fiat and of correct diameter
	Blade runs at an incorrect speed	Set engine at proper RPM
	Collar/flange diameters are not identical	Use proper size blade collars/flanges
	Blade is bent as a result of dropping or twisting	Use proper size blade collars/flanges
<b>BLADE WILL NOT CUT</b>	Blade is too hard for material being cut	Select proper blade for material being cut
	Blade has become dull	Sharpen by cutting on softer abrasive material to expose diamonds. If continually sharpening, the blade is too hard Sharpen by cutting on softer abrasive material
	Blade does not cut material it was specified for	Break-in on the material to be cut. If it does not dress itself. Sharpen as you would a dull blade
<b>UNDERCUTTING THE CORE</b>	Abrasive wearing of the core faster than the segments	Break-in on the material to be cut. If it does not dress itself. Sharpen as you would a dull blade  Use wear-restardant cores
		Use wear-restardant cores
<b>ARBOR HOLE OUT OF ROUND</b>	Collars/flanges are not properly tightened permitting blade to rotate or vibrate on the shaft	Make certain the blade is mounted on the proper shaft diameter. Tighten the shaft nut with a wrench to make certain that the blade is secure  Clean collars/flanges, make sure they are not worn. Tighten arbor nut
		Clean collars/flanges, make sure they are not worn. Tighten arbor nut
	Collars/flanges are worn or dirty. Blade is not properly mounted	Make sure the pin hole slides over drive pin
<b>BLADE WORN OUT OF ROUND</b>	Shaft bearings are worn	Install new blade shaft bearings or blade shaft as required
	Surges occur because engine is not properly tuned	Tune engine according to manufacturer's manual
	Blade arbor hole is damaged from incorrectly mounting the blade	If core is worn or arbor hole damaged. <b>DO NOT USE</b> Contact blade manufacturer
	Blade is too hard for material	Replace worn shaft or mounting arbor bushing
	Blade is slipping, wearing one half of blade more than other	Make certain that drive pin is functioning

## LUBRICATION AND SERVICE

- Check oil levels, wiring, hoses (air, fuel, water) and lubricate machine daily.
- Repair or replace all worn or damaged components immediately.
- Check drive belt tension, do not over-tension.
- Make sure machine has full set of matched belts.
- Check blade shaft make sure arbor and threads are not worn damaged or bent.
- Blade shaft bearings should be tight, no free play side-to-side or up and down.
- Grease blade shaft bearings daily.
- Blade collars should be clean, free of nicks and burrs. No diameter wear and not out of round.
- Drive pin not excessively worn or bent and free of gouges.
- Flush water through the pump and spray the assembly every night. This prolongs the pump and blade life.
- All fasteners and guards are tight and secure.

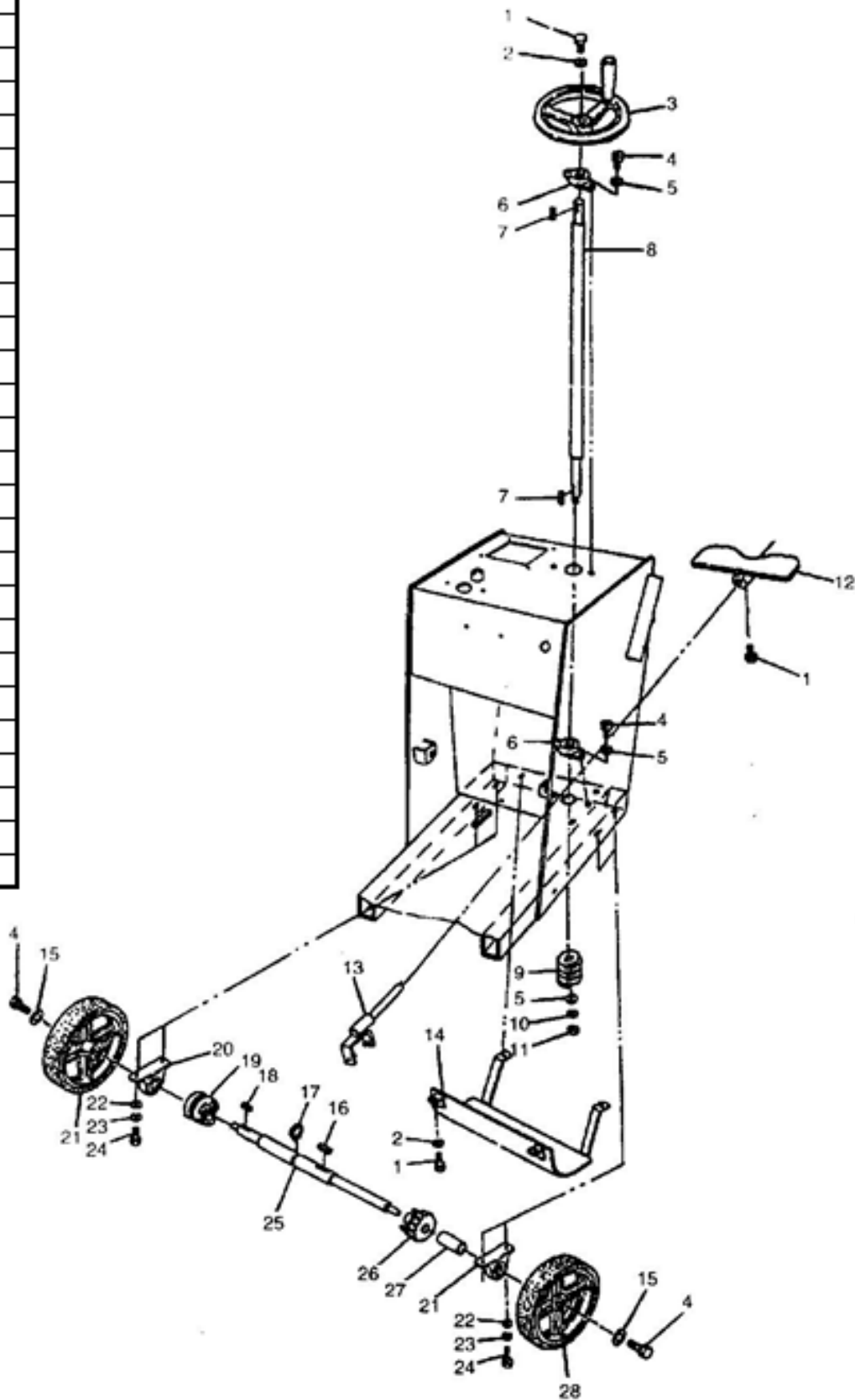
# PARTS LIST - MAJOR COMPONENTS

#	DESCRIPTION	QTY
1	BOLT M8x25	3
2	WASHER 8	5
3	INJECTION MOUTH	1
4	SEAL RING	1
5	ELBOW	1
6	COCK	1
7	PLASTIC PIPE	3
8	TEE	1
9	M10X25	6
10	WASHER 10	5
11	BLADE GUARD	1
12	NUT (BUTTERFLY) M10	1
13	NUT M8	2
14	PROTECTIVE MAT	1
15	LIFTING HOOK	1
16	WRENCH	2
17	HANDLE	2
18	KNOB	3
19	WATER TANK	1
20	WASHER 12	15
21	SPRING WASHER	13
22	BOLT M12x30	10
23	COCK	1
24	BELT GUARD	1
25	INNER GUARD	2
26	WASHER 6	1
27	SCREW M6x12	1
28	BASE ASSY.	1
29	BELT FOR DIESEL ENGINE	3
30	WASHER	1
31	PULLEY AXIS	1
32	BOLT M12 x 45	4
33	BEARING	2
34	KEY 8 x 35	4
35	PRINCIPAL AXIS	1
36	PIN 6x10	1
37	BLADE FLANGE (INNER)	2
38	PIN	1
39	BLADE FLANGE (OUTER)	1
40	NUT	1
41	BLADE	1
42	POINTER	1
43	NUT	1
44	POINTER WHEEL	1
45	NUT M12	1

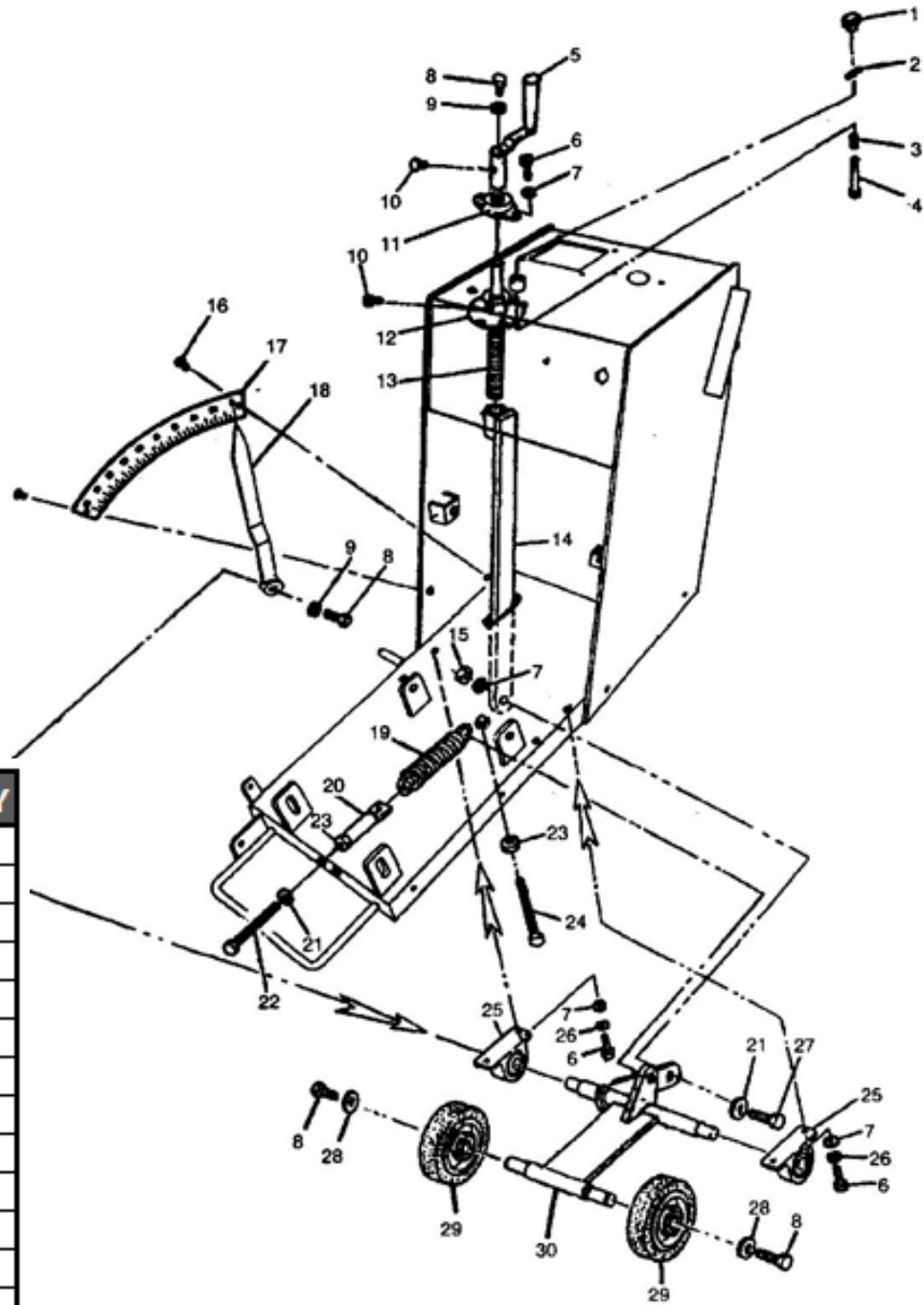


# PARTS LIST - TRANSMISSION ASSEMBLY

#	DESCRIPTION	QTY
1	BOLT M8x25	6
2	WASHER 8	5
3	WHEEL HANDLE	1
4	BOLT M10x30	6
5	WASHER 10	5
6	BEARING ASSY	2
7	KEY 6x30	2
8	MAIN SHAFT	1
9	STEM	1
10	SPRING WASHER M10	1
11	NUT M10	1
12	PEDAL	1
13	LEVER	1
14	PROTECTIVE PLATE	1
15	WASHER M10	2
16	KEY 10x40	1
17	WASHER 35	1
18	KEY 8x40	1
19	SLEEVE FOR CLUTCH	1
20	BEARING ASSY	2
21	LEFT WHEEL	1
22	WASHER 12	4
23	SPRING WASHER 12	4
24	BOLT M12x40	4
25	REAR AXIS	1
26	WORM	1
27	SLEEVE WORM	1
28	RIGHT WHEEL	1



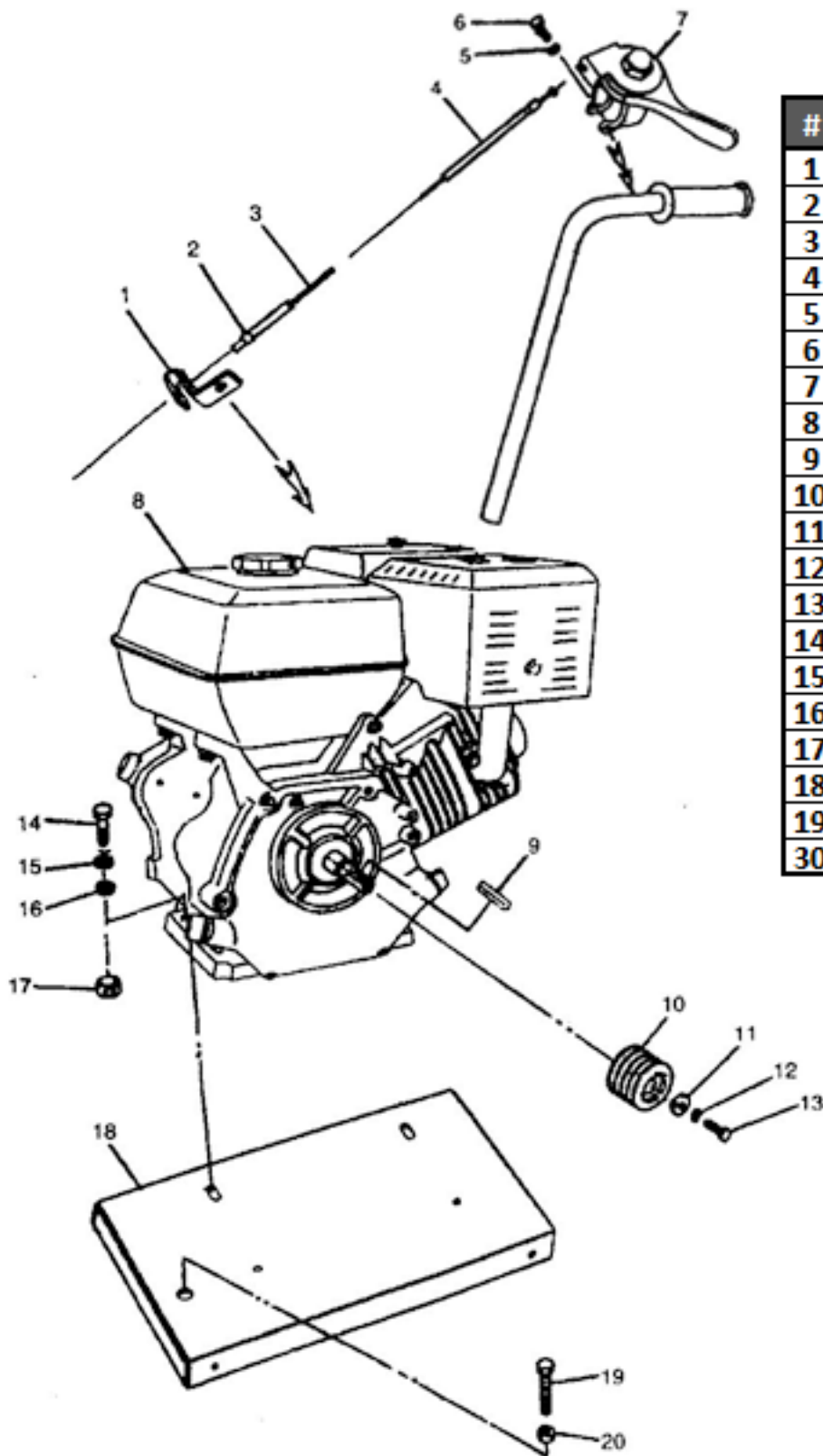
# PARTS LIST - DEPTH ADJUSTING



#	DESCRIPTION	QTY
1	PULLING NUT	3
2	SPRING PIN 4 ×16	1
3	SPRING	2
4	PIN	1
5	WHEEL HANDLE	1
6	BOLT M10×30	1
7	WASHER 10	1
8	BOLT M8×25	1
9	WASHER 8	1
10	BOLT M8×12	1
11	BEARING ASSY.	2
12	POSITION PLATE	2
13	SCREW STEM	1
14	CONNECTING STEM	1
15	NUT M10	4
16	RIVET	4
17	SCALE	3
18	POINTER	1
19	SPRING	1
20	CONNECTING PIPE	1
21	WASHER 12	1
22	BOLT M12×70	1
23	NUT M12	1
24	BOLT M12×10	2
25	BEARING ASSY.	2
26	SPRING WASHER 10	2
27	BOLT	1
28	WASHER	1
29	WHEEL	1
30	WHEEL RACK MODULE	1



# PARTS LIST - ENGINE ASSEMBLY

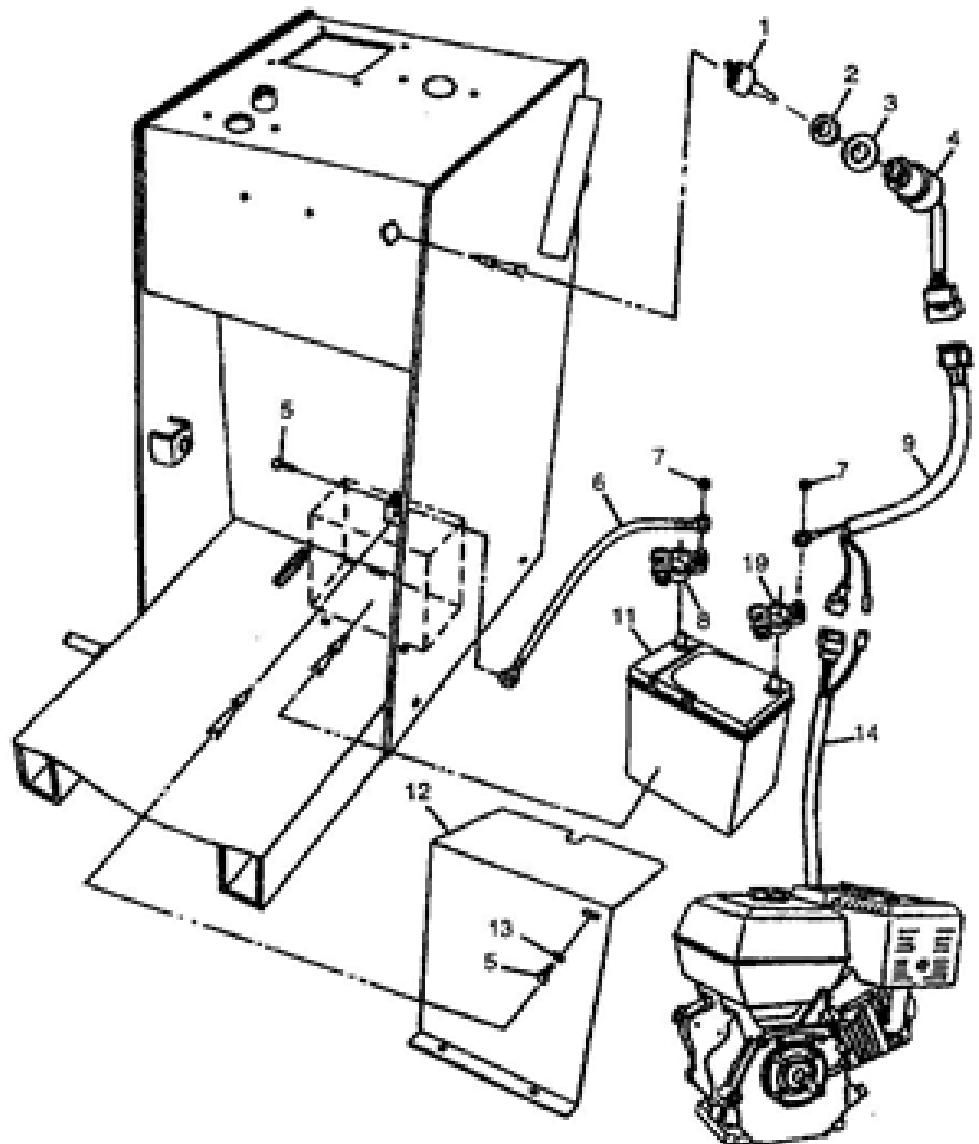


#	DESCRIPTION	QTY
1	FIXING PLATE	1
2	CONNECTOR	1
3	CABLE	1
4	CABLE PIPE	1
5	SCREW M6x25	1
6	WASHER M6	1
7	THROTTLE CONTROL	1
8	DIESEL, KAMA 186	1
9	KEY FOR DIESEL ENGINE	1
10	PULLEY FOR DIESEL ENGINE	1
11	WASHER M8	1
12	SPRING WASHER M8	1
13	BOLT M8x25	1
14	BOLT M10x40	4
15	SPRING WASHER M10	6
16	WASHER M10	6
17	NUT M10	2
18	BASE PLATE	1
19	BOLT M16x10	1
20	NUT M16	1



# PARTS LIST - ELECTRIC ASSEMBLY

#	DESCRIPTION	QTY
1	KEY	2
2	TIGHTENING SPACER	1
3	WASHER	1
4	ELECTRIC CONNECTOR	1
5	BOLT M8x20	4
6	ELECTRIC CABLE	4
7	NUT M6	2
8	PLUG NEGATIVE	1
9	WIRE	1
10	PLUG POSITIVE	1
11	BATTERY	1
12	BATTERY GUARD	1
13	WASHER M8	4
14	WIRE	1



# WARRANTY

## PLEASE READ THE FOLLOWING CAREFULLY

THE MANUFACTURER AND/OR DISTRIBUTOR HAS PROVIDED THE PARTS LIST AND ASSEMBLY DIAGRAM IN THIS MANUAL AS A REFERENCE TOOL ONLY. NEITHER THE MANUFACTURER OR DISTRIBUTOR MAKES ANY REPRESENTATION OR WARRANTY OF ANY KIND TO THE BUYER THAT HE OR SHE IS QUALIFIED TO MAKE ANY REPAIRS TO THE PRODUCT, OR THAT HE OR SHE IS QUALIFIED TO REPLACE ANY PARTS OF THE PRODUCT. IN FACT, THE MANUFACTURER AND/OR DISTRIBUTOR EXPRESSLY STATES THAT ALL REPAIRS AND PARTS REPLACEMENTS SHOULD BE UNDERTAKEN BY CERTIFIED AND LICENSED TECHNICIANS, AND NOT BY THE BUYER. THE BUYER ASSUMES ALL RISK AND LIABILITY ARISING OUT OF HIS OR HER REPAIRS TO THE ORIGINAL PRODUCT OR REPLACEMENT PARTS THERETO, OR ARISING OUT OF HIS OR HER INSTALLATION OF REPLACEMENT PARTS THERETO.

**Record Product's Serial Number Here:** \_\_\_\_\_

**Note:** If product has no serial number, record month and year of purchase instead.

**Note:** Some parts are listed and shown for illustration purposes only and are not available individually as replacement parts.



**SAVE THESE INSTRUCTIONS.**



### Questions, problems, missing parts?

Before returning to your retailer, our exceptional customer service is available.

Call us Tel: 909 628 4900

Hour : 9am To 3pm PST (Monday to Friday)

Email : [info@starktoolsusa.com](mailto:info@starktoolsusa.com)

**PRODUCT MADE IN CHINA**

## Free Manuals Download Website

<http://myh66.com>

<http://usermanuals.us>

<http://www.somanuals.com>

<http://www.4manuals.cc>

<http://www.manual-lib.com>

<http://www.404manual.com>

<http://www.luxmanual.com>

<http://aubethermostatmanual.com>

Golf course search by state

<http://golfingnear.com>

Email search by domain

<http://emailbydomain.com>

Auto manuals search

<http://auto.somanuals.com>

TV manuals search

<http://tv.somanuals.com>