



PU-607BDWP-RX

HDMI over Single CAT5e/6/7 HDBaseT™ - Bi-Directional PoC
Wallplate Receiver (full 5Play™ & Single LAN up to 100m)

OPERATION MANUAL

DISCLAIMERS

The information in this manual has been carefully checked and is believed to be accurate. CYP (UK) Ltd assumes no responsibility for any infringements of patents or other rights of third parties which may result from its use.

CYP (UK) Ltd assumes no responsibility for any inaccuracies that may be contained in this document. CYP (UK) Ltd also makes no commitment to update or to keep current the information contained in this document.

CYP (UK) Ltd reserves the right to make improvements to this document and/or product at any time and without notice.

COPYRIGHT NOTICE

No part of this document may be reproduced, transmitted, transcribed, stored in a retrieval system, or any of its part translated into any language or computer file, in any form or by any means—electronic, mechanical, magnetic, optical, chemical, manual, or otherwise—without express written permission and consent from CYP (UK) Ltd.

© Copyright 2019 by CYP (UK) Ltd.

All Rights Reserved.

Version 1.1

TRADEMARK ACKNOWLEDGMENTS

All products or service names mentioned in this document may be trademarks of the companies with which they are associated.

SAFETY PRECAUTIONS

Please read all instructions before attempting to unpack, install or operate this equipment and before connecting the power supply.

Please keep the following in mind as you unpack and install this equipment:

- Always follow basic safety precautions to reduce the risk of fire, electrical shock and injury to persons.
- To prevent fire or shock hazard, do not expose the unit to rain, moisture or install this product near water.
- Never spill liquid of any kind on or into this product.
- Never push an object of any kind into this product through any openings or empty slots in the unit, as you may damage parts inside the unit.
- Do not attach the power supply cabling to building surfaces.
- Use only the supplied power supply unit (PSU). Do not use the PSU if it is damaged.
- Do not allow anything to rest on the power cabling or allow any weight to be placed upon it or any person walk on it.
- To protect the unit from overheating, do not block any vents or openings in the unit housing that provide ventilation and allow for sufficient space for air to circulate around the unit.

REVISION HISTORY

VERSION NO.	DATE	SUMMARY OF CHANGE
v1.00	13/01/2014	First release
v1.01	31/03/2014	Corrected Contents List
v1.02	23/08/2019	Updated Specifications

CONTENTS

1. Introduction	6
2. Applications	6
3. Package Contents	6
4. System Requirements	6
5. Features.....	7
6. Operation Controls and Functions	8
6.1 Receiver.....	8
6.2 Rear Panel.....	9
6.3 IR Cable Pin Assignment	10
6.4. D-Sub 9-Pin Definitions.....	10
7. Connection Diagrams.....	11
8. Specifications.....	13
8.1 Technical Specifications	13
8.1 Cable Specifications	14
9. Acronyms.....	15

1. INTRODUCTION

The PU-607BDWP-RX Wallplate Receiver allows uncompressed HDMI signals and IP data to be received via a Single CAT5e/6/7 cable. This solution has the added features of RS-232 and 2-way IR control functionality over the same CAT5e/6/7 cable up to 100m/328ft at 1080p and 70m/229ft at 4K.

This Receiver is designed to be used with the PU-607BD-TX and PU-607BDWP-TX Transmitters only, which enables Bi-Directional Power over Ethernet (PoE) functionality.

2. APPLICATIONS

- /// Household entertainment sharing and control
- /// Lecture room display and control
- /// Showroom display and control
- /// Meeting room presentation and control
- /// Classroom display and control

3. PACKAGE CONTENTS

- /// 1×HDMI over Single CAT5e/CAT6 Receiver
- /// 1×IR Blaster
- /// 1×IR Receiver
- /// Operation Manual

4. SYSTEM REQUIREMENTS

Input HDMI source equipment such as DVD/Blu-ray player and HDMI equipped output display (TV or monitor)with HDMI input jack.

5. FEATURES

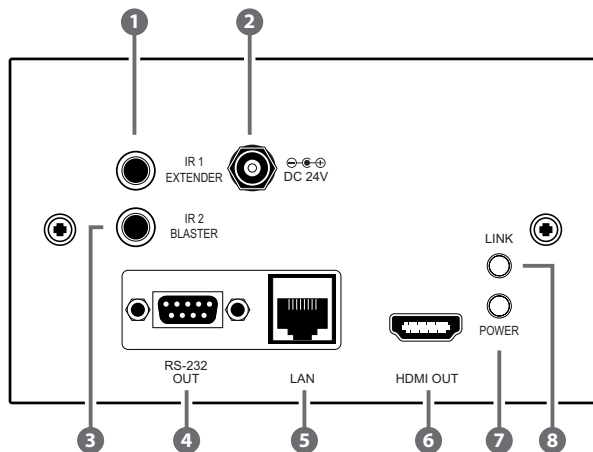
- /// HDMI 1.x and DVI 1.0 compliant
- /// HDCP compliant
- /// Supports HDMI 3D and 4K x 2K features
- /// Supports HDCP repeater and CEC bypass
- /// Supports distance up to 100m/328ft at 1080p and 70m/229ft at 4K through CAT5e/6/7 cable
- /// HDMI input resolutions up to 4K@60Hz (YUV 4:2:0, 8-bit) or 4K@30Hz (YUV 4:4:4, 8-bit)
- /// Supports pass-through of audio formats including LPCM 2.0/5.1/7.1, and Bitstream over HDMI
- /// 5Play™ convergence: HDMI, bi-directional PoC, (bi-directional IR & RS232) & LAN
- /// Wall plate design and Installation Friendly

Note

1. *This system was tested with CAT6/23AWG and CAT5e/24AWG cable, so if using cables of another type, results may vary.*
2. *For playback of 4K2K HDMI source signals, a 4K2K capable display and High Speed HDMI cables are required.*
3. *Only compatible with PU-607BD-TX & PU-607BDWP-TX Receivers*

6. OPERATION CONTROLS AND FUNCTIONS

6.1 Receiver

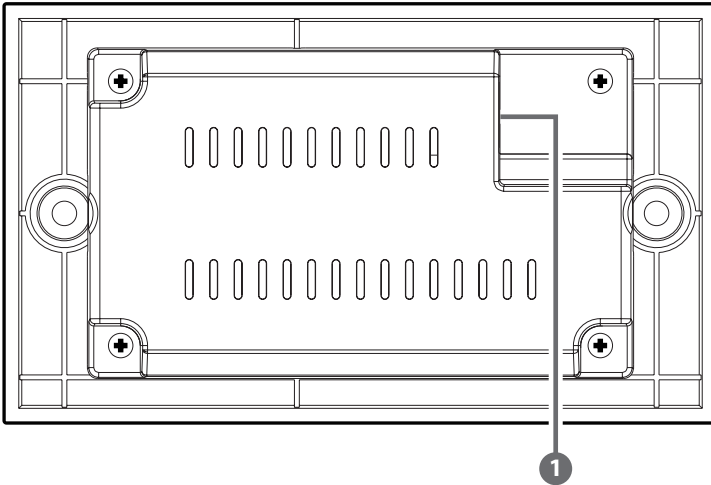


- 1 IR 1 EXTENDER:** Connect to the supplied IR Extender cables for IR signal reception. Ensure that remote being used is within the direct line-of-sight of the IR Extender.
- 2 DC 24V:** The device can get power supply from the transmitter side and or use its own power supply by plug the 24V DC power supply into the unit and connect the adaptor to an AC outlet.
- 3 IR 2 BLASTER:** Connect to the supplied IR Blaster cable for IR signal transmission. Place the IR Blaster in direct line of sight of the equipment to be controlled.
- 4 RS-232 OUT:** This slot is to connect with D-Sub 9-pin female cable from device equipment for receiving RS-232 commands.
- 5 LAN:** Connect to an active network or internet service.

When the Transmitter or any compatible LAN equipped Receivers are connected to a network, this allows the network access (including internet access if available) to be shared between the Transmitter and all connected Receivers. Connect any Ethernet equipped device e.g. a Smart TV or games console to the LAN port of a Receiver for that device to share the network/internet access.

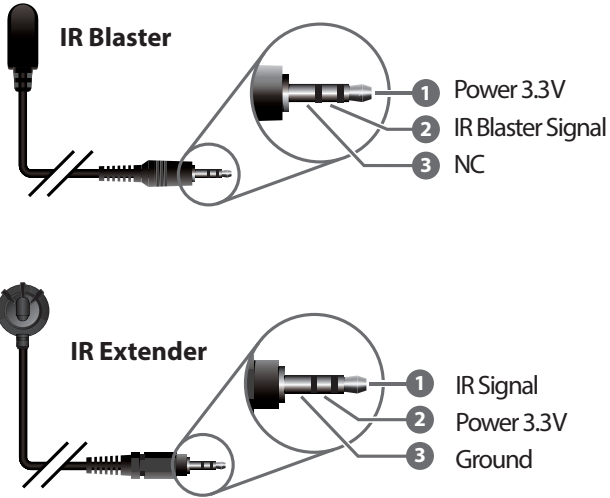
- 6 **HDMI OUT:** This slot is to connect with HDMI TV/monitor for display HDMI input source signal.
- 7 **Power LED:** This LED will illuminate when the device is connected to a power supply.
- 8 **LINK LED:** This LED will illuminate when both the input source and output display signals are connected through CAT cable. When it blinks regularly it indicates the display is NOT sending signals to the Receiver but the Transmitter and Receiver are linked and if it blinks irregularly it indicates an error has occurred.

6.2 Rear Panel



- 1 **CAT5e/6/7 IN:** Connect to the Transmitter unit with a single

6.3 IR Cable Pin Assignment

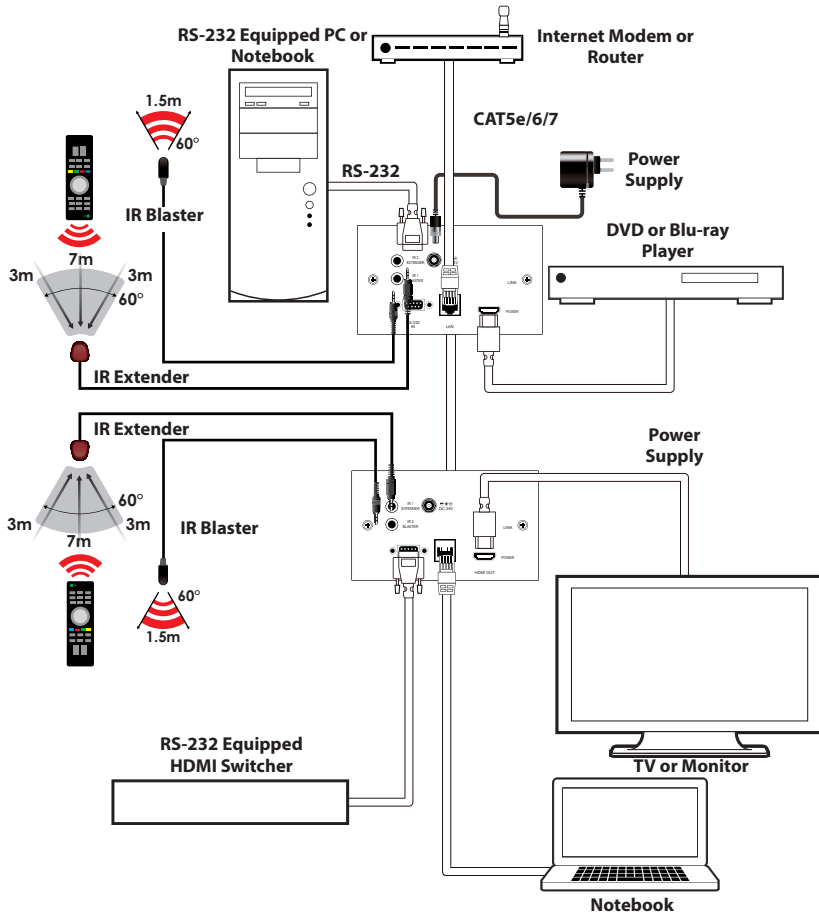


6.4. D-Sub 9-Pin Definitions

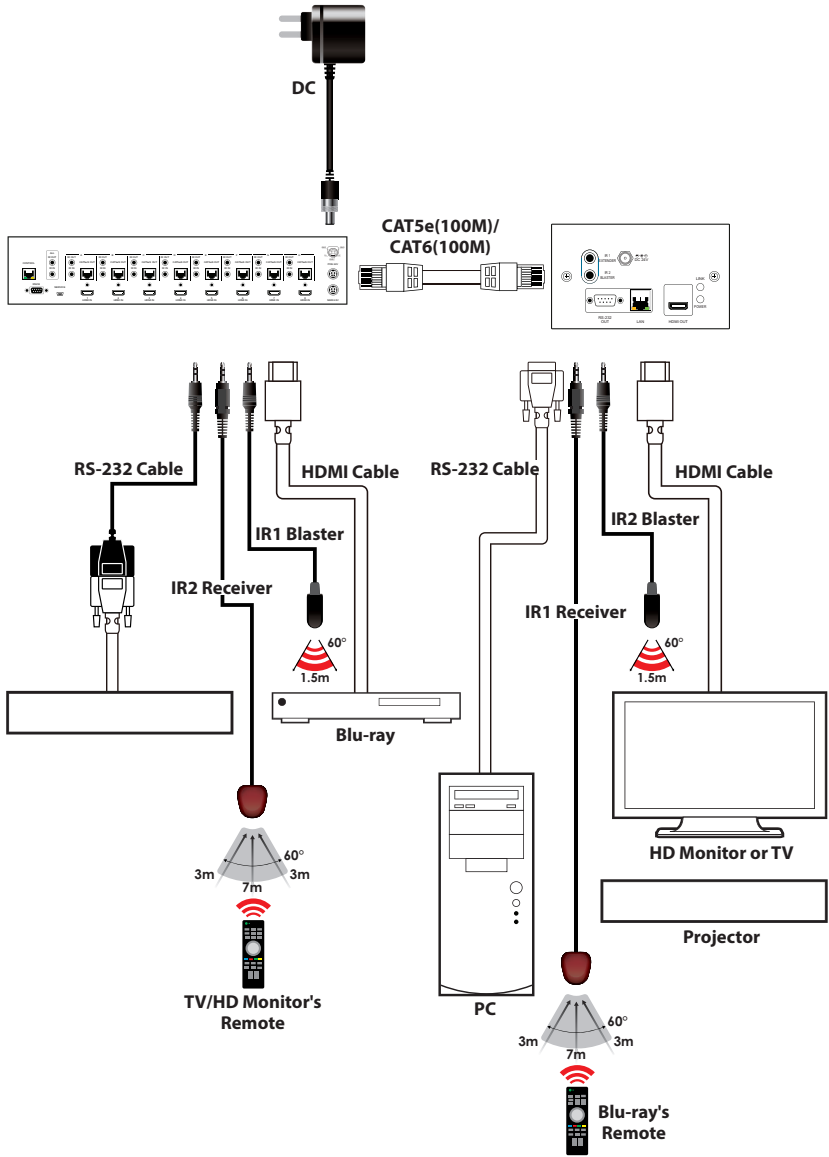
Pin	Define TX/RX
1	N/C
2	TxD/RxD
3	RxD/TxD
4	N/C
5	GND
6	N/C
7	N/C
8	N/C
9	N/C

7. CONNECTION DIAGRAMS

Option 1



Option 2



8. SPECIFICATIONS

8.1 Technical Specifications

Video Bandwidth	340MHz/10.2Gbps
Input Ports	1×CAT5e/6/7, 1×IR Extender, 1×LAN
Output Ports	1×HDMI, 1×RS-232, 1×IR Blaster
IR Frequency	30 - 50kHz (30 - 60kHz under ideal conditions)
Baud Rate	up to 115200/sec
Power Supply	PoC 24V DC / 1.25A (Optional) (US/EU standards, CE/FCC/ UL certified)
ESD Protection	Human-body Model: ±8kV (air-gap discharge) ±4kV (contact discharge)
Dimensions (mm)	145.7(W) x 85.7(D) x 36.5(H)/Jacks Excluded 145.7(W) x 85.7(D) x 39.5(H)/Jacks Included
Weight (g)	160/Rx
Chassis Material	Plastic
Silkscreen Color	White
Operating Temperature	0 °C~40 °C/32 °F~104 °F
Storage Temperature	-20 °C ~ 60 °C/-4 °F~140 °F
Relative Humidity	20~90% RH (non-condensing)
Power Consumption	12W/PoC, 9W/Stand Alone

8.1 Cable Specifications

Cable Length	1080p		4K30	4K60
	8-bit	12-bit	(4:4:4) 8-bit	(4:2:0) 8-bit
High Speed HDMI Cable				
HDMI Input	15m	10m	5m	5m
HDMI Output	15m	10m	5m	5m
Ethernet Cable				
Cat.5e/6/7	100m		70m	

1080p (FHD Video)

- Up to 1080p@60Hz, 12-bit color
- Data rates lower than 5.3Gbps or below 225MHz TMDS clock

4K30 (UHD Video)

- 4K@24/25/30Hz & 4K@50/60Hz (4:2:0), 8-bit color
- Data rates higher than 5.3Gbps or above 225MHz TMDS clock but below 10.2Gbps

9. ACRONYMS

ACRONYM	COMPLETE TERM
CAT5e	Category 5 Cable
CAT6	Category 6 Cable
CEC	Consumer Electronics Control
DVI	Digital Visual Interface
HDCP	High-bandwidth Digital Content Protection
HDMI	High Definition Multimedia Interface
IR	Infrared



CYP (UK) Ltd., Unit 7, Shepperton Business Park, Govett Avenue, Shepperton,
Middlesex, TW17 8BA

Tel: +44 (0) 20 3137 9180 | Fax: +44 (0) 20 3137 6279

Email: sales@cypeurope.com

www.cypeurope.com

v1.02

Free Manuals Download Website

<http://myh66.com>

<http://usermanuals.us>

<http://www.somanuals.com>

<http://www.4manuals.cc>

<http://www.manual-lib.com>

<http://www.404manual.com>

<http://www.luxmanual.com>

<http://aubethermostatmanual.com>

Golf course search by state

<http://golfingnear.com>

Email search by domain

<http://emailbydomain.com>

Auto manuals search

<http://auto.somanuals.com>

TV manuals search

<http://tv.somanuals.com>