



User Manual

5-Port 10/100 Desktop Switch

DES-1005E

Preface

D-Link reserves the right to revise this publication and to make changes in the content hereof without obligation to notify any person or organization of such revisions or changes.

Manual Revisions

Revision	Date	Description
1.0	February 16, 2010	DES-1005E - Hardware revision A1
1.1	May 18, 2010	Added Windows® 7 Support

Trademarks

D-Link and the D-Link logo are trademarks or registered trademarks of D-Link Corporation or its subsidiaries in the United States or other countries. All other company or product names mentioned herein are trademarks or registered trademarks of their respective companies.

Copyright Statement

No part of this publication or documentation accompanying this product may be reproduced in any form or by any means or used to make any derivative such as translation, transformation, or adaptation without permission from D-Link Corporation/D-Link Systems, Inc., as stipulated by the United States Copyright Act of 1976 and any amendments thereto. Contents are subject to change without prior notice.

Copyright ©2010 by D-Link Corporation/D-Link Systems, Inc. All rights reserved.

FCC Statement

This equipment has been tested and found to comply with the limits for a Class B digital device, pursuant to Part 15 of the FCC Rules. These limits are designed to provide reasonable protection against harmful interference when the equipment is operated in a commercial environment. This equipment generates, uses, and can radiate radio frequency energy and, if not installed and used in accordance with this user's guide, may cause harmful interference to radio communications. Operation of this equipment in a residential area is likely to cause harmful interference in which case the user will be required to correct the interference at his own expense.

Table of Contents

Preface	2	Glossary	18
Manual Revisions.....	2	Technical Specifications	23
Trademarks	2	Contacting Technical Support	25
Copyright Statement	2	Registration	26
FCC Statement.....	2		
Safety Instructions	4		
Safety Cautions	4		
Protecting Against Electrostatic Discharge	6		
Product Overview	7		
Package Contents	7		
Setup.....	7		
Introduction	7		
Features	9		
Hardware Overview.....	10		
Top Panel (LEDs)	10		
Rear Panel (Connections)	11		
Installation	12		
Before You Connect to the Network.....	12		
Mounting the Switch on the Wall.....	13		
Mounting on a cement wall	13		
Mounting on a wood wall.....	13		
Connecting the Switch.....	14		
PC to Switch	14		
Hub/Switch to DES-1005E.....	14		
DES-1005E to Other Devices	14		
Troubleshooting	15		
Networking Basics	16		
Check your IP address.....	16		
Statically Assign an IP address.....	17		

Safety Instructions

Use the following safety guidelines to ensure your own personal safety and to help protect your system from potential damage.

Safety Cautions

To reduce the risk of bodily injury, electrical shock, fire, and damage to the equipment, observe the following precautions.

Observe and follow service markings. Do not service any product except as explained in your system documentation. Opening or removing covers that are marked with the triangular symbol with a lightning bolt may expose you to an electrical shock. Only a trained service technician should service components inside these compartments.

If any of the following conditions occur, unplug the product from the electrical outlet and replace the part or contact your trained service provider:

- The power cable, extension cable, or plug is damaged.
 - An object has fallen into the product.
 - The product has been exposed to water.
 - The product has been dropped or damaged.
 - The product does not operate correctly when you follow the operating instructions.
- Keep your system away from radiators and heat sources. Also, do not block cooling vents.
 - Do not spill food or liquids on your system components, and never operate the product in a wet environment. If the system gets wet, see the appropriate section in your troubleshooting guide or contact your trained service provider.
 - Do not push any objects into the openings of your system. Doing so can cause a fire or an electric shock by shorting out interior components.
 - Use the product only with approved equipment.
 - Allow the product to cool before removing covers or touching internal components.
 - Operate the product only from the type of external power source indicated on the electrical ratings label. If you are not sure of the type of power source required, consult your service provider or local power company.

-
- To help avoid damaging your system, be sure the voltage selection switch (if provided) on the power supply is set to match the power available at your location:
 - 115 volts (V)/60 hertz (Hz) in most of North and South America and some Far Eastern countries such as South Korea and Taiwan.
 - 100 V/50 Hz in eastern Japan and 100 V/60 Hz in western Japan.
 - 230 V/50 Hz in most of Europe, the Middle East, and the Far East.
 - Also be sure that attached devices are electrically rated to operate with the power available in your location.
 - Use only approved power cable(s). If you have not been provided with a power cable for your system or for any AC-powered option intended for your system, purchase a power cable that is approved for use in your country. The power cable must be rated for the product and for the voltage and current marked on the product's electrical ratings label. The voltage and current rating of the cable should be greater than the ratings marked on the product.
 - To help prevent an electric shock, plug the system and peripheral power cables into properly grounded electrical outlets. These cables are equipped with three-prong plugs to help ensure proper grounding. Do not use adapter plugs or remove the grounding prong from a cable. If you must use an extension cable, use a 3-wire cable with properly grounded plugs.
 - Observe extension cable and power strip ratings. Make sure that the total ampere rating of all products plugged into the extension cable or power strip does not exceed 80 percent of the ampere ratings limit for the extension cable or power strip.
 - To help protect your system from sudden, transient increases and decreases in electrical power, use a surge suppressor, line conditioner, or uninterruptible power supply (UPS).
 - Position system cables and power cables carefully; route cables so that they cannot be stepped on or tripped over. Be sure that nothing rests on any cables.
 - Do not modify power cables or plugs. Consult a licensed electrician or your power company for site modifications. Always follow your local/national wiring rules.
 - When connecting or disconnecting power to hot-pluggable power supplies, if offered with your system, observe the following guidelines:
 - Install the power supply before connecting the power cable to the power supply.
 - Unplug the power cable before removing the power supply.
 - If the system has multiple sources of power, disconnect power from the system by unplugging all power cables from the power supplies.
-

Protecting Against Electrostatic Discharge

Static electricity can harm delicate components inside your system. To prevent static damage, discharge static electricity from your body before you touch any of the electronic components, such as the microprocessor. You can do so by periodically touching an unpainted metal surface on the chassis.

You can also take the following steps to prevent damage from electrostatic discharge (ESD):

1. When unpacking a static-sensitive component from its shipping carton, do not remove the component from the antistatic packing material until you are ready to install the component in your system. Just before unwrapping the antistatic packaging, be sure to discharge static electricity from your body.
2. When transporting a sensitive component, first place it in an antistatic container or packaging.
3. Handle all sensitive components in a static-safe area. If possible, use antistatic floor pads, workbench pads, and an antistatic grounding strap.

Package Contents



D-Link DES-1005E 5-port Desktop Switch



Warranty Card



Wall Mount Kit



Quick Install Guide



Power Adapter

Setup

The setup of the DES-1005E can be performed using the following steps:

- The power outlet should be within 1.82 meters (6 feet) of the Switch.
- Visually inspect the DC power jack and make sure that it is fully secured to the power adapter.
- Do not cover the ventilation holes on the sides of the Switch, and make sure there is adequate ventilation around it.
- Do not place heavy objects on the switch.

Introduction

Fast Ethernet Technology

The growing importance of LANs and the increasing complexity of desktop computing applications are fueling the need for high performance networks. 100BASE-TX (Fast Ethernet) provides a cost-effective and high-performance solution for small workgroups, SMBs (Small to Medium Businesses), and any network supporting bandwidth-intensive applications. Fast Ethernet technology operates at 10 times the speed of traditional Ethernet, offering maximum performance and enhanced capability for existing Ethernet-based networks.

100Mbps Fast Ethernet is a standard specified by the IEEE 802.3 LAN committee. It is an extension of the 10Mbps Ethernet standard with the ability to transmit and receive data at 100Mbps, while maintaining the CSMA/CD Ethernet protocol. Since the 100Mbps Fast Ethernet is compatible with all other 10Mbps Ethernet environments, it provides a straightforward upgrade and takes advantage of the existing investment in hardware, software, and personnel training.

Switching Technology

Switches provide full-line speed and dedicated bandwidth for all connections. This is in contrast to hubs, which use the traditional shared networking topology, where the connected nodes contend for the same network bandwidth. When two switching nodes are communicating, they are connected with a dedicated channel between them, so there is no contention for network bandwidth with other nodes. As a result, the switch reduces considerably, the likelihood of traffic congestion.

For Ethernet networks, a switch is an effective way of eliminating the problem of chaining hubs beyond the “two-repeater limit.” A switch can be used to split parts of the network into different collision domains, making it possible to expand your Ethernet network beyond the 205-meter network diameter limit for 100BASE-TX networks. Switches supporting both 10Mbps Ethernet and 100Mbps Fast Ethernet are also ideal for bridging between existing 10Mbps networks and newer 100Mbps networks.

Switching LAN technology is a marked improvement over the previous generation of network hubs and bridges, which were characterized by higher latencies. Routers have also been used to segment local area networks, but the cost of a router, the setup and maintenance required, make routers relatively impractical. Today switches are an ideal solution to most kinds of local area network congestion problems.

Features

- The DES-1005E is a high performance switch designed specifically for environments where traffic on the network and the number of users increase continuously.
- The DES-1005E, with its small, compact size, was specifically designed for small to mid-sized workgroups. The DES-1005E can be installed where space is limited; moreover, it provides immediate access to a rapidly growing network through a wide range of user-reliable functions.
- The DES-1005E is ideal for deployment with multiple high-speed servers for 10Mbps or 100Mbps shared bandwidth workgroups. With the highest bandwidth at 200Mbps (100Mbps full-duplex mode), any port can provide workstations with a congestion-free data pipe for simultaneous access to the server.
- The DES-1005E is scalable, allowing two or more DES-1005E switches to be cascaded together. Since all ports support 200Mbps, any one of its five ports may be used to cascade to an additional switch to open a Full-Duplex Fast Ethernet pipe.
- The DES-1005E is the perfect choice for a department or office planning to upgrade to Fast Ethernet. The DES-1005E can accommodate 10Mbps or 100Mbps devices, providing a flexible solution for existing (10Mbps) Ethernet workgroups.
- The DES-1005E combines dynamic memory allocation with store-and-forward switching to ensure that the buffer is effectively allocated for each port; and it controls the data flow between the transmit and receive nodes to guarantee against possible packet loss.
- The DES-1005E is an unmanaged 10/100Mbps Fast Ethernet switch that offers solutions for the accelerating bandwidth needs of small Ethernet workgroups.

Other key features include:

- Store-and-forward switching scheme capability. As the result of complete frame checking and error frame filtering, this scheme prevents error packages from transmitting among segments.
- Auto-MDI/MDI-X function supports automatic MDI/MDI-X crossover detection, giving true 'plug and play' capability—Crossover or Straight-Through CAT5 cables can be plugged into any port.
- Nway Auto-negotiation for any port. This allows for auto-sensing of speed (10/100Mbps), providing an automatic and flexible solution for the network.
- Flow control for any port. This minimizes dropped packets by sending out collision signals when the port's receiving buffer is full.
- Data filtering rate eliminates all error packets, runts, etc., per port at wire-speed for 100Mbps operation and 10Mbps operation.

Hardware Overview

Top Panel (LEDs)



Power Indicator

This green indicator light is on when the DES-1005E is receiving power; otherwise, it is off.

Link/Act

This LED indicator light is green when the port is connected to an Ethernet device and will blink as Ethernet data is transmitted or received.

Rear Panel (Connections)



Auto MDI/MDI-X Ports:

All ports support automatic MDI/MDI-X crossover detection. The AutoMDI/MDI-X function makes it simple to connect to the switch—just plug either a Crossover or Straight-Through CAT5 cable into any port.

Power Jack:

Power is supplied through an external DC power adapter. Check the technical specification section for information about the DC power input voltage.

Since the DES-1005E does not require a power button, plugging its power adapter into a power outlet will immediately power it on.

Installation

This section will explain how to connect Ethernet devices to your new D-Link switch and how to mount the switch.

Before You Connect to the Network

The site where you install the Switch may greatly affect its performance. Please follow these guidelines for setting up the Switch.

- Install the Switch on a sturdy, level surface that can support at least 3 kg (6.6 lbs.) of weight. Do not place heavy objects on the Switch.
- The power outlet should be within 1.82 meters (6 feet) of the Switch.
- Visually inspect the power cord and see that it is fully secured to the AC power port.
- Make sure that there is adequate space for proper heat dissipation from and adequate ventilation around the Switch. Leave at least 10 cm (4 inches) of space at the front and rear of the Switch for ventilation.
- Install the Switch in a fairly cool and dry place for the acceptable temperature and humidity operating ranges.
- Install the Switch in a site free from strong electromagnetic field generators (such as motors), vibration, dust, and direct exposure to sunlight.
- When installing the Switch on a level surface, attach the rubber feet to the bottom of the device. The rubber feet cushion the Switch, protect the casing from scratches, and prevent it from scratching other surfaces.

Mounting the Switch on the Wall

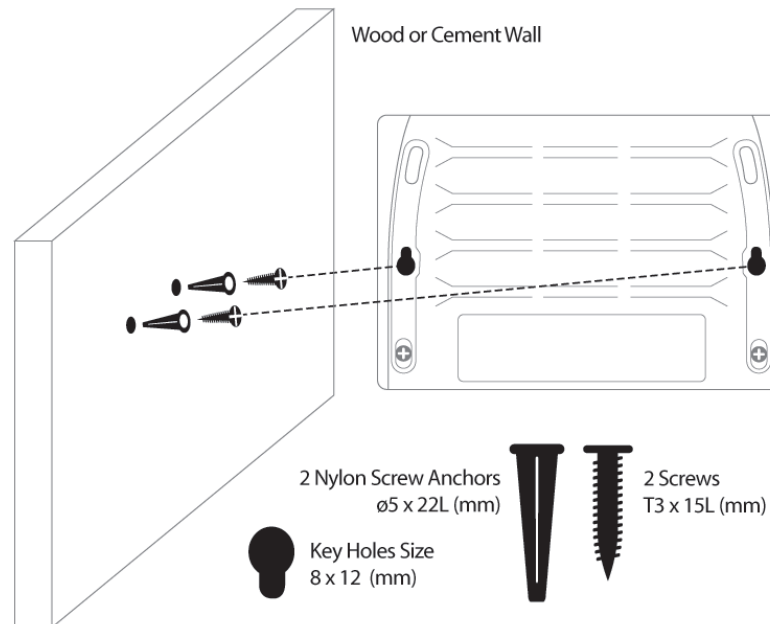
The DES-1005E can also be mounted on a wall. Two mounting slots are provided on the bottom of the switch for this purpose. Please make sure that the front panel is exposed in order to view the LEDs. Please refer to the illustration below:

Mounting on a cement wall

1. Mount the Nylon screw anchors into a cement wall.
2. Drive the T3 x 15L screws into the Nylon screw anchors.
3. Hook the mounting holes of the switch back on the screws.

Mounting on a wood wall

1. Drive the T3 x 15 L screws into the wood wall.
2. Hook the mounting holes of the switch back on the screws.



- (1) 3/4 inch minimum for wood wall
- (2) 3 inch minimum for cement wall.

Connecting the Switch

PC to Switch

A computer can be connected to the DES-1005E via a two-pair Category 3, 4, 5 UTP/STP Straight-Through or Crossover cable. A computer equipped with a RJ-45 10/100Mbps port can be connected to any of the five DES-1005E ports.

The LED indicators for the PC connection depend on the capability of the computer's Ethernet card. If the LED indicators are not lit after making a proper connection, check the computer's Ethernet card, the cable, and the DES-1005E's conditions and connections.

Hub/Switch to DES-1005E

A hub (10 or 100BASE-TX) can be connected to the DES-1005E via a two-pair Category 3, 4, or 5 UTP/STP Straight Through or Crossover cable. For 100Mbps operation a Category 5 cable must be used. The connection is accomplished from any port of the hub to any port of the DES-1005E.

DES-1005E to Other Devices

The DES-1005E can be connected to another switch or other devices (routers, bridges, etc.) via a two-pair Category 3, 4, 5 UTP/STP Straight-Through or Crossover cable. A Category 5 (or higher) cable must be used for 100Mbps operation. The connection can be accomplished from any (MDI-X) port on the DES-1005E to any of the 10Mbps or 100Mbps (MDI-X) ports on another switch or other devices.

Troubleshooting

1. Why can't I share my Internet connection to multiple computers when using my D-Link DES-1005E switch?

If you are connecting directly to a Cable or DSL modem, you will need a router to "share" your Internet connection or a computer using ICS (Internet Connection Sharing) or Proxy. Switches and hubs do not allow you to share a single IP address to multiple computers.

Another alternative is to contact your ISP and purchase extra IP addresses for each additional computer.

2. Does the DES-1005E switch have an uplink port?

The DES-1005E has Auto-MDI ports which automatically sense the type of cable being used (e.g. Crossover or Straight-through) and adjust themselves accordingly to pass data over the network.

3. What is the maximum length of Category 3, 4 or 5 twisted pair cable that can be used between the DES-1005E and other devices such as routers, switches, computers, etc.?

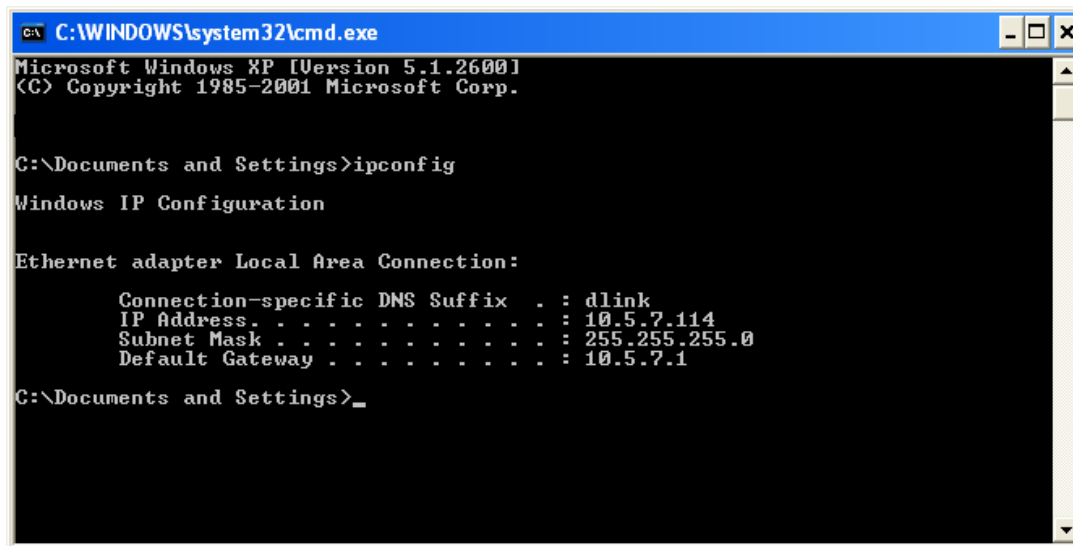
The maximum length of Category 3, 4 or 5 twisted pair cable that can be used between computers and other devices on a network is 100 meters or about 328 feet. Keep in mind that this is a theoretical limit. Usually, you will want to keep the distance between devices well below the limit.

Networking Basics

Check your IP address

After you install your new D-Link adapter or if you already have an Ethernet adapter installed on your computer, by default, the TCP/IP settings should be set to obtain an IP address from a DHCP server (i.e. router) automatically. To verify your IP address, please follow the steps below.

- Click on **Start > Run**. In the run box type **cmd** and click **OK**. (Windows® 7 and Vista® users type **cmd** in the Start Search box.)
- At the prompt, type **ipconfig** and press **Enter**.
- This will display the IP address, subnet mask, and the default gateway of your adapter.



```
C:\WINDOWS\system32\cmd.exe
Microsoft Windows XP [Version 5.1.2600]
(C) Copyright 1985-2001 Microsoft Corp.

C:\Documents and Settings>ipconfig

Windows IP Configuration

Ethernet adapter Local Area Connection:

    Connection-specific DNS Suffix  . : dlink
    IP Address. . . . .               : 10.5.7.114
    Subnet Mask . . . . .             : 255.255.255.0
    Default Gateway . . . . .         : 10.5.7.1

C:\Documents and Settings>_
```


Statically Assign an IP address

If you are not using a DHCP capable gateway/router, or you need to assign a static IP address, please follow the steps below:

Step 1

Windows® 7 - Click on **Start > Control Panel > Network and Internet > Network and Sharing Center > Change Adapter Setting.**

Windows Vista® - Click on **Start > Control Panel > Network and Internet > Network and Sharing Center > Manage Network Connections.**

Windows® XP - Click on **Start > Control Panel > Network Connections.**

Windows® 2000 - From the desktop, right-click **My Network Places** and select **Properties.**

Step 2

Right-click on the Local Area Connection which represents your network adapter and select **Properties.**

Step 3

Highlight **Internet Protocol (TCP/IP)** and click **Properties.**

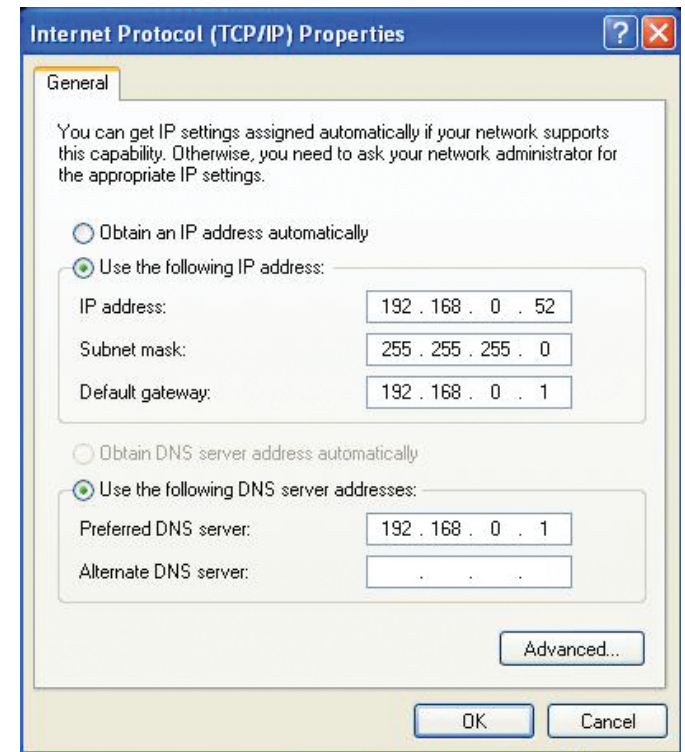
Step 4

Click **Use the following IP address** and enter an IP address that is on the same subnet as your network or the LAN IP address on your router.

Example: If the router's LAN IP address is 192.168.0.1, make your IP address 192.168.0.X where X is a number between 2 and 99. Make sure that the number you choose is not in use on the network. Set Default Gateway the same as the LAN IP address of your router (192.168.0.1). Set Primary DNS the same as the LAN IP address of your router (192.168.0.1). The Secondary DNS is not needed or you may enter a DNS server from your ISP.

Step 5

Click **OK** twice to save your settings.



Glossary

1000BASE-LX

A short laser wavelength on multimode fiber optic cable for a maximum length of 550 meters.

1000BASE-SX

A long wavelength for a “long haul” fiber optic cable for a maximum length of 10 kilometers.

100BASE-FX

100Mbps Ethernet implementation over fiber.

100BASE-TX

100Mbps Ethernet implementation over Category 5 and Type 1 Twisted Pair cabling.

10BASE-T

The IEEE 802.3 specification for Ethernet over Unshielded Twisted Pair (UTP) cabling.

Aging

The automatic removal of dynamic entries from the Switch Database which have timed-out and are no longer valid.

ATM

Asynchronous Transfer Mode. A connection oriented transmission protocol based on fixed length cells (packets). ATM is designed to carry a complete range of user traffic, including voice, data, and video signals.

Auto-Negotiation

A feature on a port, which allows it to advertise its capabilities for speed, duplex, and flow control. When connected to an end station that also supports auto-negotiation, the link can self-detect its optimum operating setup.

Backbone Port

A port that does not learn device addresses, and that receives all frames with an unknown address. Backbone ports are normally used to connect the Switch to the backbone of your network. Note that backbone ports were formerly known as designated downlink ports.

Backbone

The part of a network used as the primary path for transporting traffic between network segments.

Bandwidth

Information capacity, measured in bits per second, that a channel can transmit. The bandwidth of Ethernet is 10Mbps, the bandwidth of Fast Ethernet is 100Mbps.

Baud Rate

The switching speed of a line. Also known as line speed.

BOOTP

The BOOTP protocol allows you to automatically map an IP address to a given MAC address each time a device is started. In addition, the protocol can assign the subnet mask and default gateway to a device.

Bridge

A device that interconnects local or remote networks no matter what higher level protocols are involved. Bridges form a single logical network, centralizing network administration.

Broadcast

A message sent to all destination devices on the network.

Broadcast Storm

Multiple simultaneous broadcasts that typically absorb available network bandwidth and can cause network failure.

Console Port

The port on the Switch accepting a terminal or modem connector. It changes the parallel arrangement of data within computers to the serial form used on data transmission links. This port is most often used for dedicated local management.

CSMA/CD

Channel access method used by Ethernet and IEEE 802.3 standards, in which devices transmit only after finding the data channel clear for some period of time. When two devices transmit simultaneously, a collision occurs and the colliding devices delay their retransmissions for a random amount of time.

Data Center Switching

The point of aggregation within a corporate network where a switch provides high performance access to server farms, a high-speed backbone connection, and a control point for network management and security.

Ethernet

A LAN specification developed jointly by Xerox, Intel, and Digital Equipment Corporation. Ethernet networks operate at 10Mbps using CSMA/CD to run over cabling.

Fast Ethernet

100Mbps technology based on the Ethernet/CD network access method.

Flow Control – (IEEE 802.3x)

A means of holding packets back at the transmit port of the connected end station. Prevents packet loss at a congested switch port.

Forwarding

The process of sending a packet toward its destination by an internetworking device.

Full Duplex

A system that allows packets to be transmitted and received at the same time and, in effect, doubles the potential throughput of a link.

Half Duplex

A system that allows packets to be transmitted and received, but not at the same time. Contrast with full duplex.

IP Address

Internet Protocol address. A unique identifier for a device attached to a network using TCP/IP. The address is written as four octets separated with full-stops (periods), and is made up of a network section, an optional subnet section and a host section.

IPX

Internetwork Packet Exchange. A protocol allowing communication in a NetWare network.

LAN

Local Area Network. A network of connected computing resources (such as PCs, printers, servers) covering a relatively small geographic area (usually not larger than a floor or building). Characterized by high data rates and low error rates.

Latency

The delay between the time a device receives a packet and the time the packet is forwarded out of the destination port.

Line Speed

See baud rate.

Main Port

The port in a resilient link that carries data traffic in normal operating conditions.

MDI

Medium Dependent Interface. An Ethernet port connection where the transmitter of one device is connected to the receiver of another device.

MDI-X

Medium Dependent Interface Cross-over. An Ethernet port connection where the internal transmit and receive lines are crossed.

MIB

Management Information Base. Stores a device's management characteristics and parameters. MIBs are used by the Simple Network Management Protocol (SNMP) to contain attributes of their managed systems. The Switch contains its own internal MIB.

Multicast

Single packets copied to a specific subset of network addresses. These addresses are specified in the destination-address field of the packet.

Protocol

A set of rules for communication between devices on a network. The rules dictate format, timing, sequencing, and error control.

Resilient Link

A pair of ports that can be configured so that one will take over data transmission should the other fail. See also main port and standby port.

RJ-45

Standard 8-wire connectors for IEEE 802.3 10BASE-T networks.

RMON

Remote Monitoring. Subset of SNMP MIB II, which allows monitoring and management capabilities by addressing up to ten different groups of information.

RPS

Redundant Power System. A device that provides a backup source of power when connected to the Switch.

Server Farm

A cluster of servers in a centralized location serving a large user population.

SLIP

Serial Line Internet Protocol. A protocol that allows IP to run over a serial line connection.

SNMP

Simple Network Management Protocol. A protocol originally designed to be used in managing TCP/IP internets. SNMP is presently implemented on a wide range of computers and networking equipment and may be used to manage many aspects of network and end station operation.

Spanning Tree Protocol – (STP)

A bridge-based system for providing fault tolerance on networks. STP works by allowing you to implement parallel paths for network traffic, and to ensure that redundant paths are disabled when the main paths are operational and enabled if the main paths fail.

Stack

A group of network devices that are integrated to form a single logical device.

Standby Port

The port in a resilient link that will take over data transmission if the main port in the link fails.

Switch

A device that filters, forwards, and floods packets based on the packet's destination address. The Switch learns the addresses associated with each switch port and builds tables based on this information to be used for the switching decision.

TCP/IP

A layered set of communications protocols providing Telnet terminal emulation, FTP file transfer, and other services for communication among a wide range of computer equipment.

Telnet

A TCP/IP application protocol that provides virtual terminal service, letting a user log in to another computer system and access a host as if the user were connected directly to the host.

TFTP

Trivial File Transfer Protocol. Allows you to transfer files (such as software upgrades) from a remote device using your switch's local management capabilities.

UDP

User Datagram Protocol. An Internet standard protocol that allows an application program on one device to send a datagram to an application program on another device.

VLAN

Virtual LAN. A group of location- and topology-independent devices that communicate as if they are on a common physical LAN.

VT100

A type of terminal which uses ASCII characters. VT100 screens have a text-based appearance.

Technical Specifications

Standards

- IEEE 802.3 10BASE-T Ethernet
- IEEE 802.3u 100BASE-TX Fast Ethernet

Protocol

- CSMA/CD

Data Transfer Rate

Ethernet:

- 10Mbps (half-duplex)
- 20Mbps (full-duplex)

Fast Ethernet:

- 100Mbps (half-duplex)
- 200Mbps (full-duplex)

Topology

- Star

Network Cables

- 10BASE-T: 2-pair UTP Cat. 3,4,5 (100 m), EIA/TIA- 568 100-ohm STP (100 m)
- 100BASE-TX: 2-pair UTP Cat. 5 (100 m), EIA/TIA-568 100-ohm STP (100 m)

Number of Ports

- 5 x 10/100Mbps auto-negotiation, auto MDI-X ports

DC inputs

- DC 5V/1.2A

Temperature

- Operating: 0° ~ 50° C (32° to 122° F)
- Storage: -10° ~ 70° C (14°to 158° F)

Humidity

- Operating: 10% ~ 90% RH, Non-condensing
- Storage: 5% ~ 90% RH, Non-condensing

Dimensions (W x H x D):

- 124.4 x 83.8 x 35.6 mm (4.9 x 3.3 x 1.4 inch)

EMI:

- FCC Class B, CE Class B

Safety:

- cUL + CB

Transmission Method:

- Store-and-forward

RAM Buffer:

- 64KB per device

Filtering Address Table:

- 2K entries per device

Packet Filtering / Forwarding Rate:

- 10Mbps Ethernet: 14,880/pps
- 100Mbps Fast Ethernet: 148,800/pps

MAC Address Learning:

- Automatic update

Contacting Technical Support

U.S. and Canadian customers can contact D-Link technical support through our web site or by phone.

Before you contact technical support, please have the following ready:

- Model number of the product (e.g. DES-1005E)
- Hardware Revision (located on the label on the bottom of the switch (e.g. rev A1))
- Serial Number (s/n number located on the label on the bottom of the switch)

You can find software updates and user documentation on the D-Link website as well as frequently asked questions and answers to technical issues.

For customers within the United States:

Phone Support:

(877) 453-5465

Internet Support:

<http://support.dlink.com>

For customers within Canada:

Phone Support:

(800) 361-5265

Internet Support:

<http://support.dlink.ca>

Registration

Register your product online at support.dlink.com/register



Product registration is entirely voluntary and failure to complete or return this form will not diminish your warranty rights.

Version 1.1
May 18, 2010

D-Link[®]

Free Manuals Download Website

<http://myh66.com>

<http://usermanuals.us>

<http://www.somanuals.com>

<http://www.4manuals.cc>

<http://www.manual-lib.com>

<http://www.404manual.com>

<http://www.luxmanual.com>

<http://aubethermostatmanual.com>

Golf course search by state

<http://golfingnear.com>

Email search by domain

<http://emailbydomain.com>

Auto manuals search

<http://auto.somanuals.com>

TV manuals search

<http://tv.somanuals.com>