

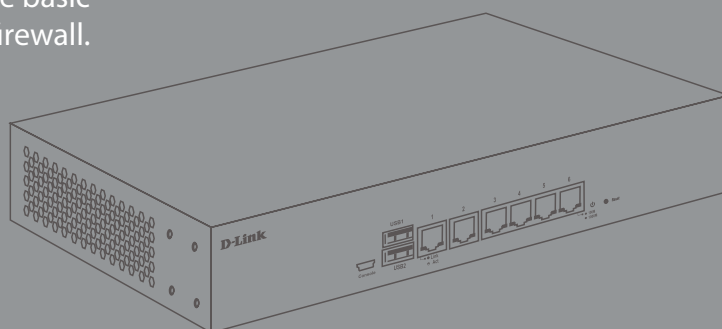


Quick Installation Guide

Firewall

This document will guide you through the basic installation process for your new D-Link firewall.

DFL-870



Quick Installation Guide

Documentation is also available on
the D-Link website

Package Contents

This DFL-870 package should include the following items:

- 1 x DFL-870 Firewall
- 1 x Power cord
- 1 x Mini-USB-to-USB console cable
- 1 x Ethernet cable
- 1 x Rack mounting kit

If any of the above items are damaged or missing, please contact your local D-Link reseller.

Hardware Overview

LED Indicators

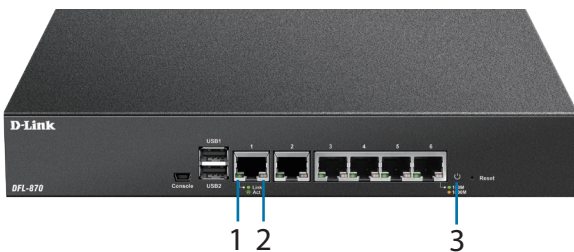


Figure 1: Front panel LEDs

#	LED	Status	Description
1	Link/Act	Solid green	A connection has been established on this port.
		Blinking	There is traffic on this port.
2	Speed	Solid amber	The connection is operating at 1000 Mbps.
		Solid green	The connection is operating at 100 Mbps.
3	Power	Solid white	The device is powered on.
		Off	The device is powered off.

Table 1: LED overview

Interface Connectors

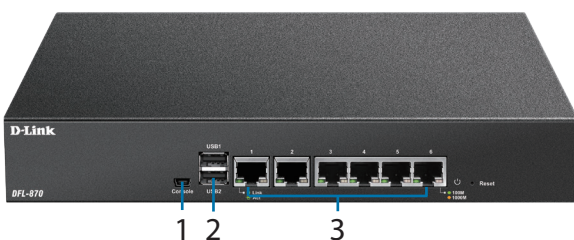


Figure 2: Front Connectors

#	Connector	Description
1	Console	Mini-USB connector used for connecting a remote management station to access the command line interface (CLI).
2	USB 1/2	Reserved for future use.
3	Ports 1 to 6	Gigabit Ethernet ports that can be configured to act as WAN, DMZ, or LAN ports through the web user interface (UI) or CLI interface. These ports are pre-configured by default. Please refer to Default Interface Settings below.

Table 2: Connector overview

Default Interface Settings

The function of the Ethernet ports on the DFL-870 can be configured through the web UI or CLI interface to accommodate different network requirements. By default, these ports are pre-configured as follows:

Port	Interface	Type	IP Address	Web UI
1	WAN1	DHCP	0.0.0.0/0	Disabled
2	WAN2	Static	192.168.120.254/24	Disabled
3	DMZ	Static	172.17.100.254/24	Disabled
4	LAN1	Static	192.168.10.1/24	Enabled
5	LAN2	Static	192.168.11.1/24	Disabled
6	LAN3	Static	192.168.12.1/24	Disabled

Table 3: Default interface configuration

Note: By default, the DFL-870's web UI can only be accessed from the LAN1 interface (port 4 on the device) for security reasons. This can later be changed through the web UI.

Hardware Installation

Safety Precautions

A) Operating Temperature - In a rack assembly, the operating ambient temperature of the rack environment may be greater than the ambient temperature of the room. The equipment should be installed in an environment compatible with the maximum ambient temperature (T_{ma}) specified by the manufacturer.

B) Air Flow - Make sure that the amount of air flow required for safe operation of the equipment is not compromised.

C) Mechanical Loading - Prevent unsafe conditions by avoiding uneven mechanical loading.

D) Circuit Overloading - Consideration should be given to the connection of the equipment to the supply circuit and the effect that overloading of the circuits might have on overcurrent protection and supply wiring. Appropriate consideration of equipment power ratings displayed on the nameplate should be used when addressing this concern.

E) Earthing - Reliable earthing of rack-mounted equipment should be maintained. Particular attention should be given to supply connections other than direct connections to the power supply (e.g. use of power strips).

Rack Installation

Please follow the instructions below for how to mount the DFL-870 in a standard 19" rack.

1. Attach the included brackets to both sides of the DFL-870 and secure them with the provided screws.

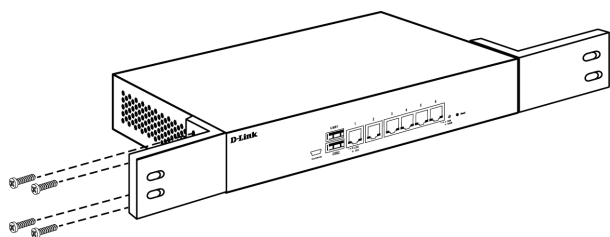


Figure 3: Installing brackets

2. Place and secure the DFL-870 into the rack using the screws that were provided with the rack.

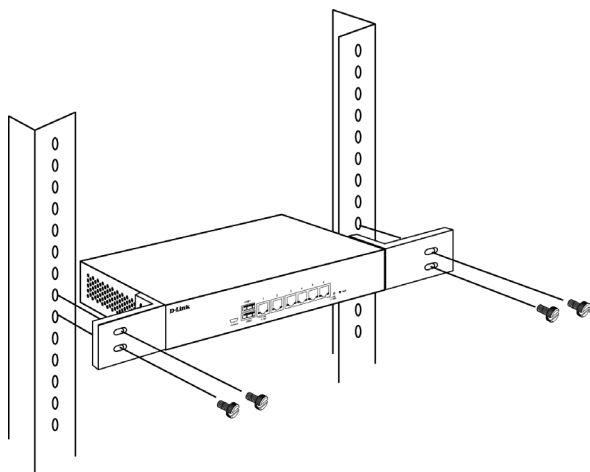


Figure 4: Mounting the device in a rack

Connecting To The Network

When powering on the device, allow 1 to 2 minutes for the device to boot up completely before connecting it to the network. Please refer to the instructions below for making network connections:

1. Using an Ethernet cable, connect the external router to the WAN1 port on the firewall. Port 1 is pre-configured as the WAN1 network segment.
2. (**Optional**) Using an Ethernet cable, connect a switch to the DMZ port (port 3 on the device).
3. Using an Ethernet cable, connect other Ethernet devices, such as a switch, to the LAN ports (ports 4, 5, and 6 on the device). These ports are pre-configured as LAN interfaces by default.
4. Connect a management station to the console port on the DFL-870 using the included cable to configure the device using the CLI.

Note: When connecting a PC to the console port with the included Mini-USB to USB cable, Windows will recognize the device and automatically install the appropriate driver. When using a Linux or MacOS-based system, you may need manually download and install the mini-USB drivers. To download these drivers, visit <http://security.dlink.com.tw> and proceed to **Support > Download Software**.

Accessing the Firewall

The DFL-870's web UI can be accessed using one of the following browsers: **Firefox 11+**, **Opera 11.6+**, **Safari 5+**, **Internet Explorer 9+**, or **Chrome 18+**.

Note: The DFL-870 allows both HTTP and HTTPS connections from any management host. However, for security reasons, only a secure HTTPS connection is allowed by default. For more information on configuring connection settings, please refer to the user manual.

1. Connect the management station to LAN1 (port 4). Make sure that the management station is configured with a static IP address in the **192.168.10.2-254** range with a subnet of **255.255.255.0**.
2. Launch one of the compatible web browsers, and enter the default IP address **https://192.168.10.1** into the address bar.



Figure 5: Accessing the web UI

3. Log into the NetDefend Firewall web interface using the default username and password of **admin**.

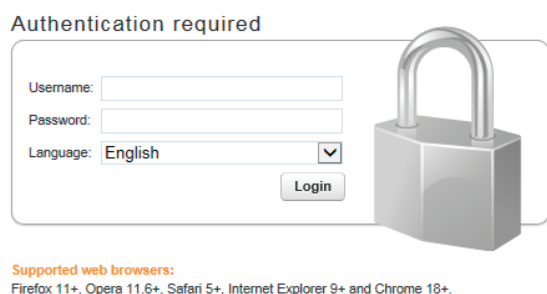


Figure 6: Web UI login window

Registering a D-Link NetDefend Center Account

To access the UTM Firewall service, an active D-Link NetDefend account and subscription are required. Visit <http://security.dlink.com.tw/> to register an account. A 90-day trial license for the UTM Firewall will be available after registering. Additionally, you may also download the user manual and the latest firmware.

Configuring the Firewall

For more information on how to configure the DFL-870 using the web UI, please refer to the User Manual.

For more information on how to configure the DFL-870 using the CLI, please refer to the CLI Reference Guide.

Additional Information

Additional help is available through the D-Link worldwide offices listed in the appendix of the User Manual, or by visiting <http://security.dlink.com.tw/>.

D-Link[®]



Ver. 1.10(WW)_210x297
2016/09/21
45600-0025

Free Manuals Download Website

<http://myh66.com>

<http://usermanuals.us>

<http://www.somanuals.com>

<http://www.4manuals.cc>

<http://www.manual-lib.com>

<http://www.404manual.com>

<http://www.luxmanual.com>

<http://aubethermostatmanual.com>

Golf course search by state

<http://golfingnear.com>

Email search by domain

<http://emailbydomain.com>

Auto manuals search

<http://auto.somanuals.com>

TV manuals search

<http://tv.somanuals.com>