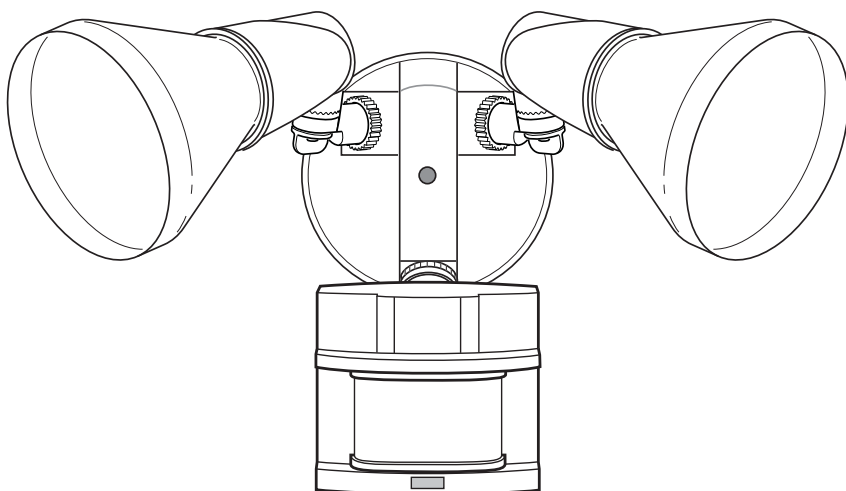


DEFIANT®

Item #703390
703499
Model #DF-5416-BK-A
DF-5416-WH-A

USE AND CARE GUIDE

MOTION SECURITY LIGHT



Questions, problems, missing parts? Before returning to the store,
call Defiant Customer Service
8 a.m. - 6 p.m., EST, Monday - Friday

1-866-308-3976

HOMEDEPOT.COM

THANK YOU

We appreciate the trust and confidence you have placed in Defiant through the purchase of this motion security light. We strive to continually create quality products designed to enhance your home. Visit us online to see our full line of products available for your home improvement needs. Thank you for choosing Defiant!

Table of Contents

Table of Contents	2	Tools Required	3
Safety Information	2	Hardware Included	4
Precautions	2	Package Contents	5
Warranty	2	Mounting Locations	5
2-Year Warranty	2	Installation	6
Specifications	3	Operation	7
Pre-Installation	3	Care and Cleaning	10
Planning Installation	3	Troubleshooting	10

Safety Information

PRECAUTIONS

Please read and understand this entire manual before attempting to assemble, install, or operate this light fixture.

This light fixture requires 120-volts AC.

Some codes require installation by a qualified electrician.

This light fixture must be properly grounded.

This light fixture is intended for use with the enclosed gasket and with a junction box marked for use in wet locations.

For proper operation, this light fixture should be:

- Installed outdoors to a wall or eaves
- Installed 8 ft. (2.4 m) above the ground (If the light fixture is mounted higher than recommended, aiming the sensor down will reduce the coverage area.)
- Do not leave the “ON-TIME” switch in the “TEST” position. The frequent ON/OFF cycling of the light fixture will reduce the life of the bulb



WARNING: Turn the power off at the circuit breaker or fuse. Place tape over the circuit breaker switch and verify power is off at the light fixture.



WARNING: Risk of fire. Do not aim the bulbs at a combustible surface within 3 ft. (1 m).



WARNING: Risk of fire. Keep the bulbs at least 2 in. (51 mm) from combustible materials.



CAUTION: Keep the motion sensor at least 1 in. (25 mm) away from the bulbs.



CAUTION: Keep the bulb holders 30° below horizontal to avoid water damage and electrical shock.



CAUTION: To avoid water damage and the risk of electrical shock, the motion sensor controls must be facing the ground when the installation is complete.



CAUTION: Burn hazard. Allow the light fixture and the bulb to cool before touching.



CAUTION: Do not cut any wires with factory installed wire connectors or remove the wire connectors.

NOTICE: Do not connect this light fixture to a dimmer switch or timer.

Warranty

2-YEAR WARRANTY

Contact the Customer Service Team at 1-866-308-3976 or visit www.homedepot.com.

Specifications

Range	Up to 70 ft. (21.3 m) - Varies with surrounding temperature
Sensing angle	Up to 180°
Electrical load - incandescent	Up to 240 watt maximum (Up to 120 watt maximum per bulb holder)
Electrical load - self-ballasted CFL (SBCFL)	Up to 60 watt maximum PAR 38 dimmable SBCFL (Up to 30 watt maximum per bulb holder) - Outdoor rated
Power requirements	120 VAC, 60 Hz
Operating modes	Test, Auto, Manual
Bulb modes	Security, BulbSaver, AlertFlash
Time delay	1, 5, 20 minutes
DualBrite timer	Off, 3 hours, 6 hours, dusk-to-dawn

Pre-Installation

PLANNING INSTALLATION

Before installing the light fixture, ensure that all parts are present (see *Hardware Included* on page 4). If any part is missing or damaged, do not attempt to assemble, install, or operate this light fixture.

Estimated installation time: 30 minutes

TOOLS REQUIRED



Phillips screwdriver



Flathead screwdriver



Pliers



Wire strippers/cutters



Circuit tester



Work gloves



Electrical tape



Silicone sealant



Ladder



Safety goggles

Pre-Installation (continued)

HARDWARE INCLUDED



NOTE: Hardware shown to actual size.



___AA



___BB



___CC



___DD



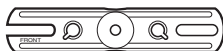
___EE



___FF



___GG



___HH

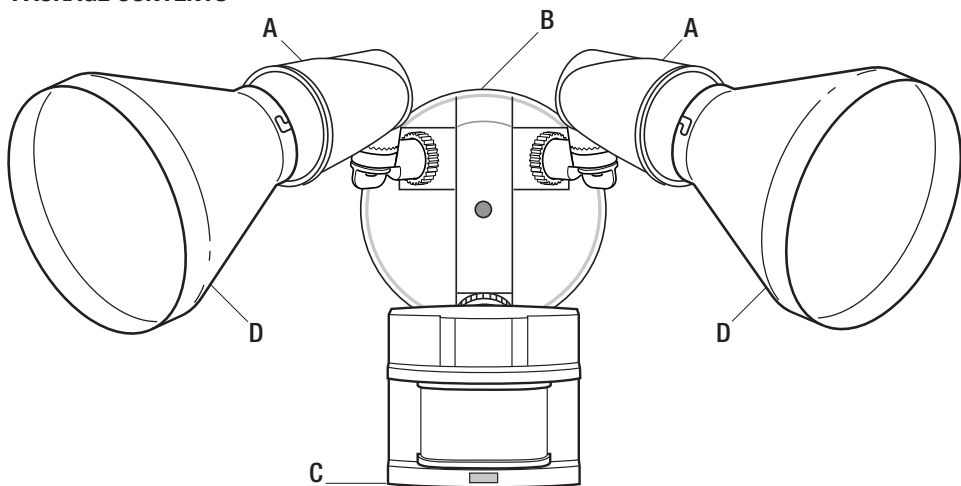


___II

Part	Description	Quantity
AA	Wire connector	3
BB	Rubber plug	1
CC	Mounting bolt	1
DD	Mounting bracket screw	2
EE	Mounting bracket screw	2
FF	Mounting bracket screw	2
GG	Gasket (not to scale)	1
HH	Mounting bracket (not to scale)	1
II	Plastic hanger (not to scale)	1

Pre-Installation (continued)

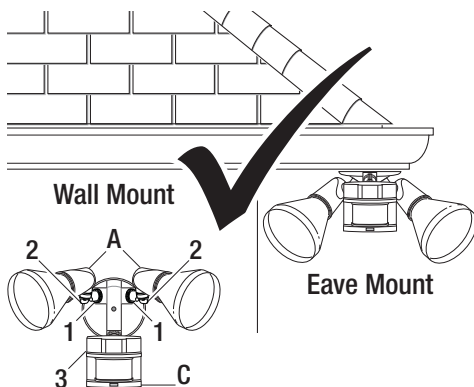
PACKAGE CONTENTS



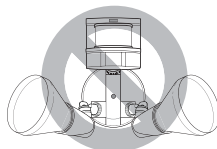
Part	Description	Quantity
A	Bulb holder	2
B	Canopy	1
C	Motion sensor	1
D	Shell	2

MOUNTING LOCATIONS

- Determine the mounting location – a wall or under an eave.
- Position bulb holders (A) in the general direction of the desired light coverage and tighten the lock nuts (1) and the thumb screws (2).
- If needed, lift the motion sensor (C) up and rotate it so the controls face the ground after installation. Tighten the clamp screw (3) when done. Do not overtighten.



NOTE: If the motion sensor (C) pops out of the ball joint, loosen the clamp screw (3), push the motion sensor (C) back into the ball joint, and tighten the clamp screw (3). Do not overtighten.



Installation

1 Installing the Mounting Bracket

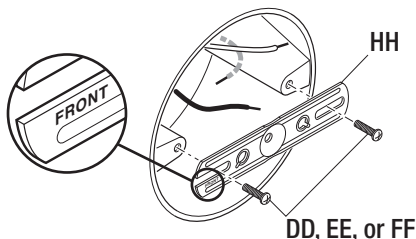


WARNING: Turn the power off at the circuit breaker or fuse. Place tape over the circuit breaker switch and verify power is off at the light fixture.

- Remove the existing light fixture.
- Install the mounting bracket (HH) with the stamped word “FRONT” facing away from the junction box. Use the mounting bracket screws (DD, EE, or FF) that best fit the junction box.

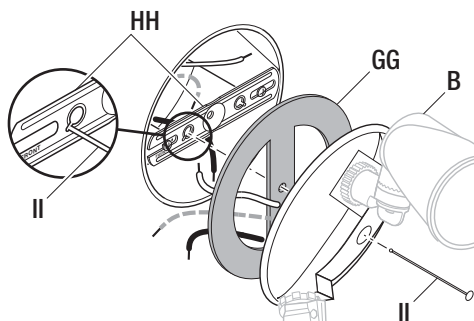


NOTE: Firmly pull on the mounting bracket to verify it is securely mounted to the junction box. If necessary, use the screws that were removed from the existing light fixture.



2 Hanging the Light Fixture Temporarily

- Insert the small end of the plastic hanger (II) through the center hole of the canopy (B) and the gasket (GG).
- Insert the small end of the plastic hanger (II) into one of the two small, slotted holes on the mounting bracket (HH).
- Route the light fixture wires through the large holes in the gasket (GG).

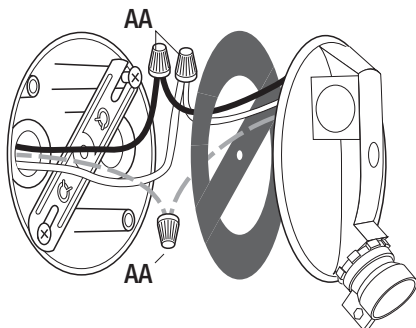


3 Wiring the Light Fixture



CAUTION: Do not cut any wires with factory installed wire connectors or remove the wire connectors.

- Connect the light fixture wires to the junction box wires with wire connectors (AA):
 - White to white
 - Black to black
 - Bare or green ground wire to house ground

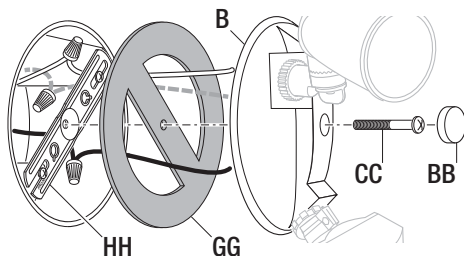


4 Mounting the Light Fixture

- Remove the plastic hanger (II).
- Insert the small end of the mounting bolt (CC) through the center hole of the canopy (B) and the gasket (GG).
- Align the mounting bolt (CC) with the center hole in the mounting bracket (HH) and tighten securely. Do not overtighten.
- Push the rubber plug (BB) firmly into the mounting bolt hole on the canopy (B).



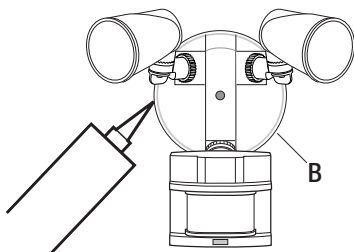
NOTE: Make sure all the wires are inside the junction box before attaching the canopy (B) to the junction box.



Installation (continued)

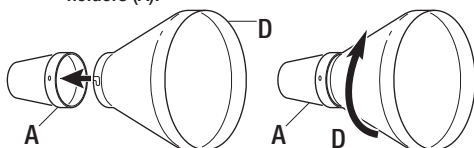
5 Caulking Around the Light Fixture

- Caulk around the canopy (B) and mounting surface with silicone sealant (not included).



6 Installing the Shells and Bulbs

- Align the three slots on the shell (D) with the three nibs on the bulb holder (A).
- Insert the shell (D) into the bulb holder (A) and twist clockwise to lock.
- Repeat for the other shell (D).
- Install bulbs (not included) into both bulb holders (A).



Operation

1 Adjusting the Bulb Holders



WARNING: Risk of fire. Do not aim the bulbs at a combustible surface within 3 ft. (1 m).



WARNING: Risk of fire. Keep the bulbs at least 2 in. (51 mm) from combustible materials.



CAUTION: Keep the sensor at least 1 in. (25 mm) away from the bulbs.

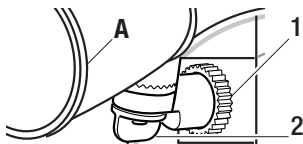


CAUTION: Keep bulb holders 30° below horizontal to avoid water damage and electrical shock.

- Turn the power on at the circuit breaker or fuse and turn on the wall switch.
- Loosen the lock nut (1) and thumb screw (2) to adjust the bulb holders (A) for the desired light coverage.
- Tighten the lock nut (1) and thumb screw (2).



NOTE: Do not rotate the bulb holders more than 180° from the factory setting.



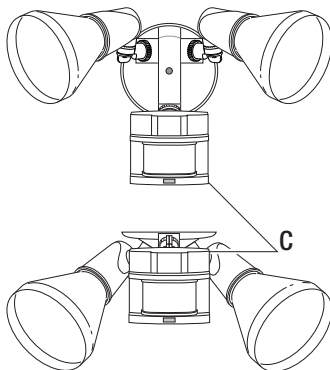
2 Rotating Sensor Controls Downward



CAUTION: To avoid water damage and risk of electrical shock, the motion sensor controls must be facing the ground when installation is complete.

- Rotate the motion sensor (C) so the controls face toward the ground.

NOTICE: All clearances must be maintained. See *Safety Information* on page 2.



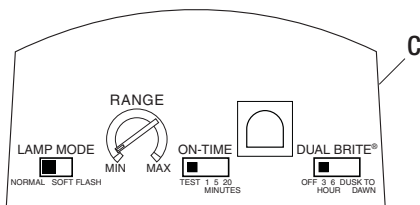
3 Setting the Sensor for Testing

When the “ON-TIME” switch is set to the “TEST” position, the light fixture will operate during the day or night. The light will stay on for 5 seconds after all motion is stopped.

- Set the “ON-TIME” switch to the “TEST” position.
- Set the “DUALBRITE” switch to the “OFF” position.
- Turn the “RANGE” dial to the “MIN” position.
- Aim the motion sensor (C) in the general direction of the area to be covered.

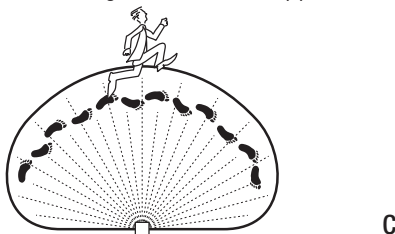


NOTE: The motion sensor will need to completely warm up (90 seconds) before beginning the setup process.



4 Adjusting the Motion Sensor Detection Zone

- Turn on the circuit breaker or fuse and the light switch.
- Perform a “walk test”. Walk in an arc across the front of the motion sensor (C).
- Watch the light. The light will come on and the red LED will flash indicating motion has been detected.
- Stop, wait for the light to turn off, and then begin walking again.
- Continue this process until the detection zone has been established.
- Adjust the sensor up, down, or side to side to change the motion sensor (C) detection zone.



5 Adjusting the RANGE Dial

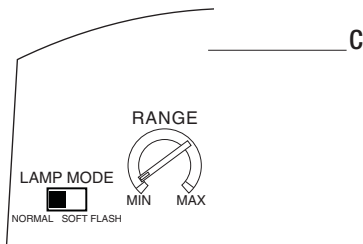
- To increase the detection zone, turn the “RANGE” dial toward the “MAX” position.
- To decrease the detection zone, turn the “RANGE” dial toward the “MIN” position.



NOTE: The motion sensor (C) is more sensitive to motion moving across the front of the sensor. The motion sensor (C) is less sensitive to motion moving directly toward the front of the sensor.



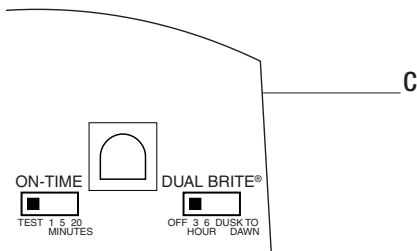
NOTE: The higher the “RANGE” setting (sensitivity), the greater the possibility of false triggering. To reduce false triggering, rotate the “RANGE” control toward the “MIN” setting.



6 Adjusting the ON-TIME Switch

The “ON-TIME” switch determines the amount of time the light will stay on full bright after all motion has stopped.

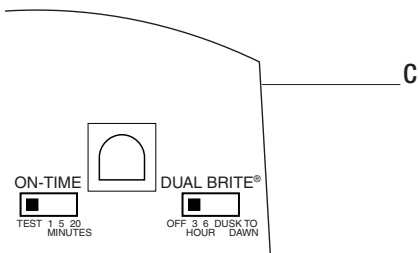
- Set the “ON-TIME” switch to the 1, 5, or 20 minute position.



7 Adjusting the DUALBRITE Switch

The “DUALBRITE” switch determines the amount of time the lights stay on at a reduced light level after sundown. Switching this setting to “OFF” will not effect the “ON-TIME” setting.

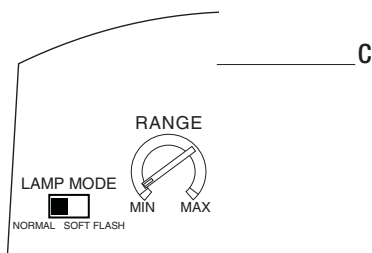
- Set the “DUALBRITE” switch to OFF, 3 hours, 6 hours, or dusk-to-dawn (sunset to sunrise).



8 Adjusting the LAMP MODE Switch

The “LAMP MODE” switch determines the way the lights will turn on when motion is detected.

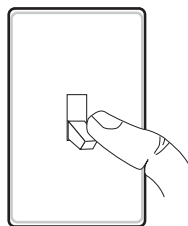
- Security (“NORMAL”) - Light comes on instantly.
- BulbSaver (“SOFT”) - Light comes on dim and gradually increases to full brightness. When the light turns off it will gradually dim to half-bright, pause, and then will continue dimming until the light turns off.
- AlertFlash (“FLASH”) - Light flashes on then off twice before turning on full brightness.
- Set the “LAMP MODE” to “NORMAL”, “SOFT”, or “FLASH” position.



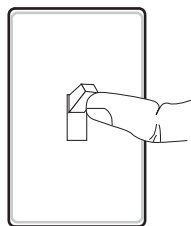
9 Using Manual Mode

Manual mode overrides the motion sensor (C) and “ON-TIME” control so the light will operate full bright. This feature only works at night and only for one night at a time. The motion sensor (C) will reset to motion sensing mode after 6 hours or sunrise, whichever comes first. Manual mode can be toggled on and off using a wall switch.

- To turn manual mode on, switch the light off at the wall switch for 3 to 4 seconds and then back on.
- To turn manual mode off, switch the light off at the wall switch for 3 to 4 seconds and then back on.



Turn the switch
OFF for 3 to 4
seconds



Turn the
switch
back ON



NOTE: If the power to the light fixture is off for more than 5 seconds, allow the motion sensor to warm up prior to switching to manual mode.

Care and Cleaning

- To prolong the original appearance, clean with clear water and a soft, damp cloth only.
- Do not use paints, solvents, or other chemicals on this light fixture. They could cause a premature deterioration of the finish. This is not a defect in the finish and will not be covered by the warranty.
- Do not spray with a hose or power washer.

Troubleshooting

Problem	Possible Cause	Solution
The light will not come on.	<ul style="list-style-type: none"> □ The light switch is turned off. □ The bulb is loose or burned out. □ The fuse is blown or the circuit breaker is turned off. □ Daylight turn-off (photocell) is in effect. □ The circuit wiring is incorrect, if this is a new installation. □ The motion sensor is aimed in the wrong direction. □ The outside air temperature is close to the same as a person's body heat. 	<ul style="list-style-type: none"> □ Turn the light switch on. □ Check the bulb and replace if burned out. □ Replace the fuse or turn the circuit breaker on. □ Recheck after dark. □ Verify the wiring is correct. □ Re-aim the motion sensor to cover the desired area. □ Increase the "RANGE" setting.
The light comes on during the day.	<ul style="list-style-type: none"> □ The motion sensor may be installed in a relatively dark location. □ The "ON-TIME" switch is in the "TEST" position. 	<ul style="list-style-type: none"> □ The light fixture is operating normally under these circumstances. □ Set the "ON-TIME" switch to the 1, 5, or 20 minute setting.
The light comes on for no apparent reason.	<ul style="list-style-type: none"> □ The motion sensor may be sensing small animals or automobile traffic. □ The "RANGE" dial is set too high. □ The "DUALBRITE" switch is in the 3 hour, 6 hour, or dusk-to-dawn setting. □ The outside temperature is much warmer or cooler than a person's body heat (summer or winter). □ The light fixture is wired through a dimmer or timer. 	<ul style="list-style-type: none"> □ Re-aim the motion sensor. □ Decrease the "RANGE" setting. □ The light fixture is operating normally under these circumstances. □ Decrease the "RANGE" setting. □ Do not use a dimmer or timer to control the light fixture. Replace the dimmer or timer with a standard on/off wall switch.
The lights turn off too late in Dusk-to-Dawn setting.	The light fixture may be installed in a relatively dark location.	Relocate the light fixture or use the 3 hour or 6 hour setting.

Troubleshooting (continued)

Problem	Possible Cause	Solution
The lights stay on continuously.	<ul style="list-style-type: none"> <input type="checkbox"/> A bulb is positioned too close to the motion sensor or pointed at nearby objects that cause heat to trigger the light sensor. <input type="checkbox"/> The motion sensor may be picking up a heat source like an air vent, dryer vent, or brightly painted, heat-reflective surface. <input type="checkbox"/> The motion sensor is in manual mode. <input type="checkbox"/> The light fixture is wired through a dimmer or timer. <input type="checkbox"/> The light fixture is on the same circuit as a motor, transformer, or fluorescent bulb. 	<ul style="list-style-type: none"> <input type="checkbox"/> Reposition the bulb away from the motion sensor or nearby objects. <input type="checkbox"/> Decrease the “RANGE” setting or reposition the motion sensor. <input type="checkbox"/> Switch the motion sensor to auto. See <i>Using Manual Mode</i> on page 9. <input type="checkbox"/> Do not use a dimmer or timer to control the light fixture. Replace the dimmer or timer with a standard on/off wall switch. <input type="checkbox"/> Install the light fixture on a circuit without motors, transformers, or fluorescent bulbs.
The lights flash on and off.	<ul style="list-style-type: none"> <input type="checkbox"/> Heat or light from the bulbs may be turning the motion sensor on and off. <input type="checkbox"/> Heat is being reflected from other objects and may be turning the motion sensor on and off. <input type="checkbox"/> The motion sensor is in “TEST” mode and warming up. <input type="checkbox"/> Light may be leaking through the bulb reflectors. <input type="checkbox"/> The motion sensor is in AlertFlash (“FLASH”) mode. <input type="checkbox"/> The CFL bulb may not be a dimmable type bulb. 	<ul style="list-style-type: none"> <input type="checkbox"/> Reposition the bulbs away from the motion sensor. <input type="checkbox"/> Reposition the motion sensor. <input type="checkbox"/> Flashing is normal under these conditions. <input type="checkbox"/> Replace the bulbs with new high quality PAR 38 bulbs. <input type="checkbox"/> Flashing is normal in this mode. Select Security (“NORMAL”) or BulbSaver (“SOFT”) mode to turn flashing off. <input type="checkbox"/> Use only dimmable self-ballasted CFL (SBCFL) bulbs.
The lights flash once then stay off in manual mode.	The motion sensor is detecting light from the bulbs.	Reposition the bulbs to keep the area below the motion sensor relatively dark.

DEFIANT®

Questions, problems, missing parts? Before returning to the store,
call Defiant Customer Service
8 a.m.-6 p.m., EST, Monday-Friday

1-866-308-3976

HOMEDEPOT.COM

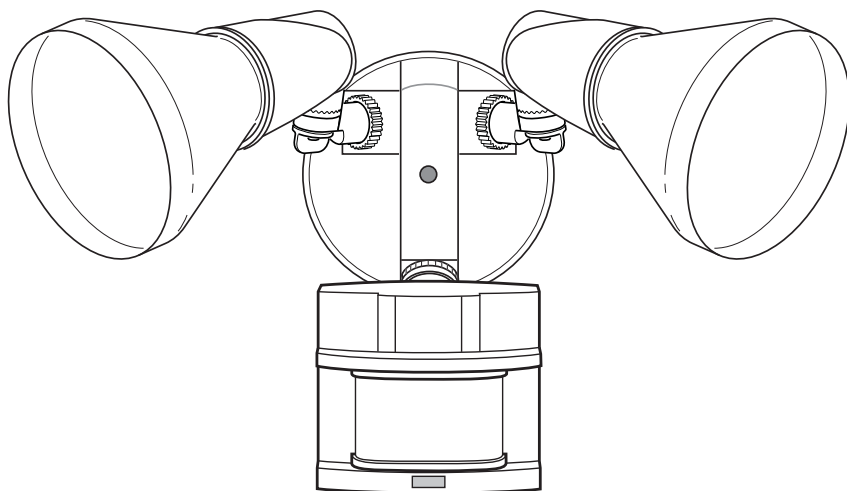
Retain this manual for future use.

DEFIANT®

Artículo #703390
703499
Modelo #DF-5416-BK-A
DF-5416-WH-A

GUÍA PARA EL USO Y CUIDADO

LUZ DE SEGURIDAD POR MOVIMIENTO



¿Tiene preguntas, problemas o piezas perdidas? Antes de la devolución al
almacén llame a Servicio al Cliente de Defiant
8 a.m. - 6 p.m., Hora del Este, de lunes a viernes

1-866-308-3976

HOMEDEPOT.COM

GRACIAS

Agradecemos la fe y la confianza que usted ha depositado en Defiant al comprar esta luz de seguridad por movimiento. Procuramos crear continuamente productos de calidad diseñados para mejorar su hogar. Visítenos en internet para ver nuestra línea completa de productos disponibles que necesita para el mejoramiento de su hogar. ¡Gracias por escoger Defiant!

Contenido

Contenido	14	Herramientas Requeridas	15
Información de seguridad	14	Ferretería Incluida.....	16
Precauciones	14	Contenido del Paquete.....	17
Garantía.....	14	Sitios Para el Montaje	17
2 Años de Garantía.....	14	Instalación	18
Especificaciones.....	15	Operación	19
Antes de la instalación.....	15	Cuidado y limpieza	22
Planificación de la Instalación	15	Análisis de averías	22

Información de seguridad

PRECAUCIONES

Por favor lea y entienda todo este manual antes de tratar de ensamblar, instalar u operar este aparato de luz.

Este aparato de luz requiere 120 voltios CA.

Algunos códigos exigen que la instalación la realice un electricista calificado.

Este aparato de luz debe estar correctamente conectado a tierra.

Este aparato de luz está concebido para usarlo con el empaque adjunto y con una caja de conexiones indicada para uso en sitios húmedos.

Para que opere correctamente, este aparato de luz debe ser:

- Instalado en el exterior en una pared o en aleros.
- Instalado a 8 pies (2,4m) por encima del suelo (Si el aparato de luz es montado más arriba de lo recomendado, al enfocar el detector hacia abajo se reducirá el área de cobertura)
- No deje el interruptor de "DURACIÓN" ("ON-TIME) en la posición "PRUEBA" ("TEST"). La alternancia frecuente entre ENCENDIDO/APAGADO (ON/OFF) reducirá la vida de la bombilla.



ADVERTENCIA: Desconecte la energía eléctrica en el disyuntor o en el fusible. Coloque cinta aislante sobre el interruptor disyuntor y compruebe que no haya energía eléctrica en el aparato de luz.



ADVERTENCIA: Riesgo de incendio. No enfoque las bombillas a una superficie combustible que esté hasta a 3 pies (1 m).



ADVERTENCIA: Riesgo de incendio. Mantenga las bombillas alejadas al menos 2 pulgadas (51mm) de materiales combustibles.



PRECAUCIÓN: Mantenga el detector de movimiento al menos a 1 pulgada (25mm) alejado de las bombillas.



PRECAUCIÓN: Mantenga los porta bombillas inclinados a 30° por debajo de la línea horizontal para evitar daños por el agua o una descarga eléctrica.



PRECAUCIÓN: Para evitar daños por el agua y el riesgo de una descarga eléctrica, los controles del detector de movimiento deben estar de cara al suelo cuando la instalación esté terminada.



PRECAUCIÓN: Peligro de quemaduras. Deje que el aparato de luz y la bombilla se enfríen antes de tocarlos.



PRECAUCIÓN: No corte ningún cable conductor que tengan capuchones para cable instalados de fábrica ni retire estos capuchones.

AVISO: No conecte este aparato de luz a un interruptor reductor de luz ni a un temporizador.

Garantía

2 AÑOS DE GARANTÍA

Póngase en contacto con el personal de servicio al cliente al 1-866-308-3976 o visite el sitio www.homedepot.com.

Especificaciones

Alcance	Hasta 70 pies (21,3 m) – Varía con la temperatura circundante
Ángulo de detección	Hasta 180°
Carga eléctrica-Incandescente	Hasta 240 vatios máximo (Hasta 120 vatios máximo por cada porta-bombillas)
Carga eléctrica- estabilización incorporada CFL (SBCFL)	Hasta 60 vatios máximo PAR 38 luz reducible SBCFL (Hasta 30 vatios máximo por cada porta-bombillas) - Clasificada para uso exterior.
Requisitos de la energía eléctrica	120 VCA, 60 Hz
Fases de operación	Prueba, automática, manual
Fases de la bombilla	Seguridad, ahorrador de bombilla, destello de alerta
Retardo de tiempo	1, 5, 20 minutos
Temporizador DualBrite	Apagado, 3 horas, 6 horas, del crepúsculo al amanecer

Antes de la instalación

PLANIFICACIÓN DE LA INSTALACIÓN

Antes de instalar el aparato de luz, esté seguro que estén todas las piezas (vea *Ferretería incluida* en la página 16). Si cualquier pieza falta o está dañada, no intente ensamblar, instalar ni operar este aparato de luz.

Tiempo estimado para la instalación: 30 minutos

HERRAMIENTAS REQUERIDAS



Destornillador phillips



Destornillador plano



Alicates



Peladores/cortadores de cables



Probador de circuitos



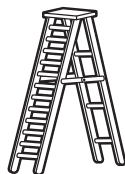
Guantes de trabajo



Cinta aislante



Sellador de silicona



Escalera



Gafas de seguridad

Antes de la instalación (continuación)

FERRETERÍA INCLUIDA



NOTA: La ferretería se muestra en su tamaño real



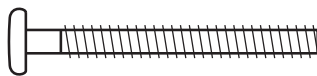
___AA



___BB



___CC



___DD



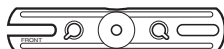
___EE



___FF



___GG



___HH

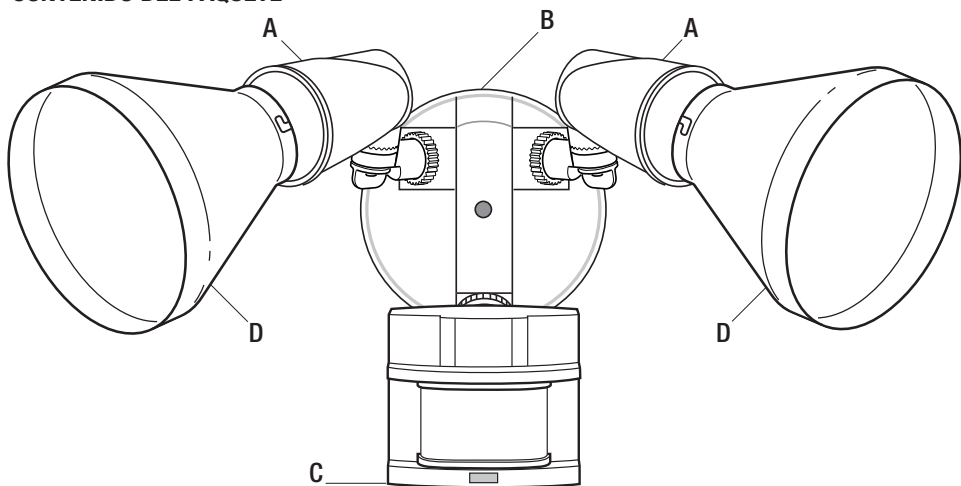


___II

Pieza	Descripción	Cantidad
AA	Capuchón para cable	3
BB	Tapón de caucho	1
CC	Tornillo de montaje	1
DD	Tornillo del soporte de montaje	2
EE	Tornillo del soporte de montaje	2
FF	Tornillo del soporte de montaje	2
GG	Empaque (no está a escala)	1
HH	Soporte de montaje (no está a escala)	1
II	Colgador plástico (no está a escala)	1

Antes de la instalación (continuación)

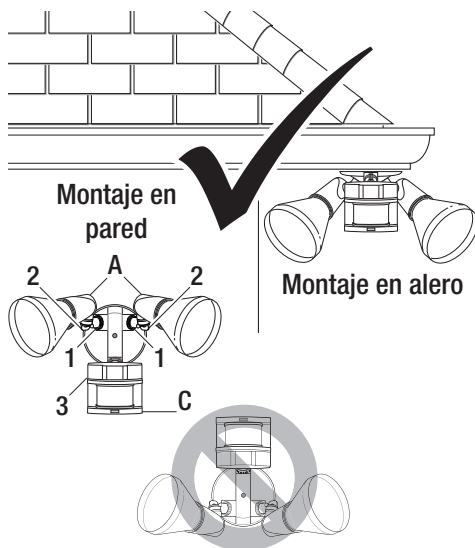
CONTENIDO DEL PAQUETE



Pieza	Descripción	Cantidad
A	Porta bombilla	2
B	Escudete	1
C	Detector de movimiento	1
D	Casco	2

SITIOS PARA EL MONTAJE

- Determine el sitio para el montaje - una pared o debajo de un alero.
- Coloque los porta bombillas (A) en la dirección general para la cobertura deseada de la luz y apriete las contratuercas (1) y los tornillos de mariposa (2).
- Si es necesario, levante el detector de movimiento (C) y gírelo de forma que los controles queden de cara al suelo luego de la instalación. Apriete el tornillo sujetador (3) cuando se provea. No apriete demasiado.



NOTA: Si el detector de movimiento (C) se sale de la unión esférica, afloje el tornillo sujetador (3), empuje de nuevo el detector de movimiento (C) hacia la unión esférica y apriete el tornillo sujetador (3). No apriete en exceso.

Instalación

1 Instalación del soporte de montaje

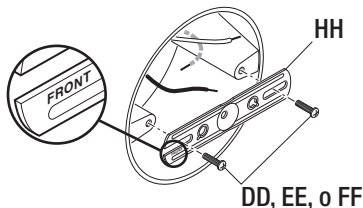


ADVERTENCIA: Desconecte la energía eléctrica en el disyuntor o en el fusible. Coloque cinta aislante sobre el interruptor disyuntor y compruebe que no haya energía eléctrica en el aparato de luz.

- Retire el aparato de luz existente.
- Instale el soporte de montaje (HH) con la palabra estampada “FRENTE” en dirección contraria a la caja de conexiones. Use los tornillos del soporte de montaje (DD, EE o FF) que mejor encajen con la caja de conexiones.

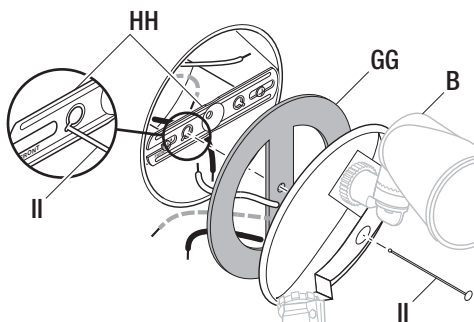


NOTA: Hale con firmeza el soporte de montaje para verificar que esté bien montado en la caja de conexiones. Si es necesario, use los tornillos que fueron retirados del aparato de luz anterior.



2 Cuelgue temporalmente el aparato de luz

- Inserte el extremo corto del colgador plástico (II) pasándolo por el agujero central del escudete (B) y del empaque (GG).
- Inserte el extremo corto del colgador plástico (II) en uno de los dos agujeros pequeños y ranurados del soporte de montaje (HH).
- Pase los conductores del aparato de luz por los agujeros grandes del empaque (GG).

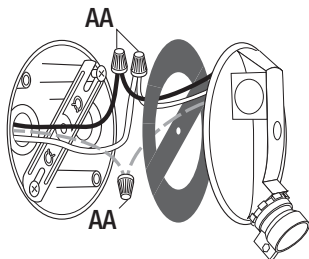


3 Cableado del aparato de luz



PRECAUCIÓN: No corte ningún cable conductor que tengan capuchones de cable instalados de fábrica ni retire estos capuchones.

- Conecte los cables del aparato de luz a los cables de la caja de conexiones con los capuchones para cables (AA):
 - Blanco con blanco
 - Negro con negro
 - Cable de conexión a tierra desnudo o verde con la conexión a tierra doméstica

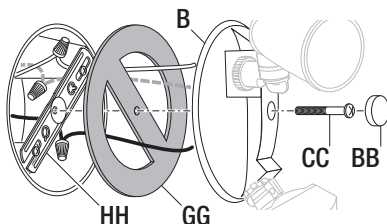


4 Montaje del aparato de luz

- Retire el colgador plástico (II).
- Pase la punta del tornillo de montaje (CC) por el agujero central del escudete (B) y por el del empaque (GG).
- Alinee el perno de montaje (CC) con el agujero central del soporte de montaje (HH) y apriete bien. No apriete excesivamente.
- Haga presión con firmeza en el tapón de caucho (BB) insertándolo en el agujero del perno de montaje del escudete (B).



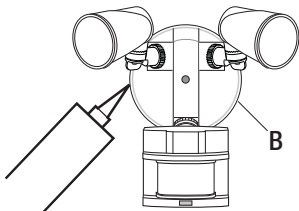
NOTA: Está seguro que todos los alambres estén dentro de la caja de conexiones antes de acoplar el escudete (B) a la caja de conexiones.



Instalación (continuación)

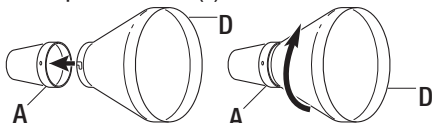
5 Calafatee alrededor del aparato de luz

- Calafatee alrededor del escudete (B) y en la superficie de montaje con un sellador de silicona (no incluido)



6 Instalación de los cascos y las bombillas

- Alinee las tres ranuras del casco (D) con las tres puntas del porta bombillas (A).
- Inserte el casco (D) en el porta-bombillas (A) y gírelo en sentido horario para bloquearlo.
- Repita igual con el otro casco (D).
- Coloque las bombillas (no incluidas) en los dos porta bombillas (A).



Operación

1 Regulación de los porta bombillas



ADVERTENCIA: Riesgo de incendio. No enfoque las bombillas a una superficie combustible que esté hasta a 3 pies (1 m).



ADVERTENCIA: Riesgo de incendio. Mantenga las bombillas alejadas al menos 2 pulgadas (51 mm) de materiales combustibles.



PRECAUCIÓN: Mantenga el detector de movimiento al menos a 1 pulgada (25 mm) alejado de las bombillas.

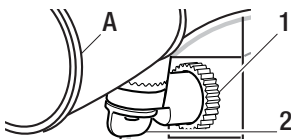


PRECAUCIÓN: Mantenga los porta bombillas inclinados 30° por debajo de la horizontal para evitar daños por el agua o una descarga eléctrica.

- Conecte la energía eléctrica en el disyuntor o en el fusible y encienda el interruptor de la pared.
- Afloje la contratuerca (1) y el tornillo de mariposa (2) para regular los porta bombillas (A) a la cobertura de luz deseada.
- Apriete la contratuerca (1) y el tornillo de mariposa (2).



NOTA: No gire los porta bombillas más de 180° del ajuste hecho en fábrica.



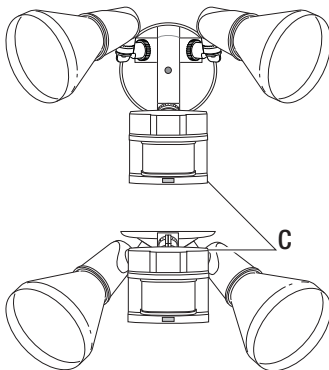
2 Giro hacia abajo de los controles del detector



PRECAUCIÓN: Para evitar daños por el agua y el riesgo de una descarga eléctrica, los controles del detector de movimiento deben estar de cara al suelo cuando la instalación esté terminada.

- Gire el detector de movimiento (C) de manera que los controles estén orientados hacia suelo.

AVISO: Todos los espacios libres deben ser mantenidos. Vea *Información sobre seguridad* en la página 14.



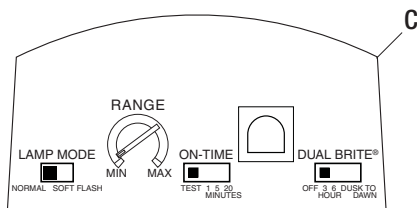
3 Calibración del detector para prueba

Cuando el interruptor de "DURACIÓN" ("ON-TIME") se fija en la posición "PRUEBA" ("TEST") el aparato de luz operará durante el día o la noche. La luz permanecerá encendida 5 segundos después que todo movimiento se ha detenido.

- Fije el interruptor de "DURACIÓN" en la posición "PRUEBA" ("TEST").
- Fije el interruptor "DUALBRITE" en la posición "APAGADO" ("OFF").
- Gire el cuadrante "ALCANCE" a la posición "MIN".
- Enfoque el detector de movimiento (C) en la dirección general del área a ser cubierta.

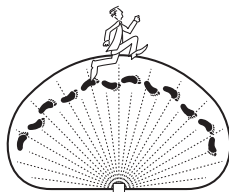


NOTA: El detector de movimiento necesitará calentarse completamente (90 segundos) antes de empezar el proceso de puesta a punto.



4 Regulación de la zona de detección del detector de movimiento

- Conecte el disyuntor o el fusible y el interruptor de la lámpara.
- Haga una "prueba caminando". Camine transversalmente a la parte frontal del detector de movimiento (C) siguiendo la trayectoria de un arco.
- Observe la luz. La luz se encenderá y el LED rojo destellará indicando que se ha detectado movimiento.
- Deténgase, espere que la luz se apague, y luego empiece a caminar de nuevo.
- Continúe este proceso hasta que la zona de detección haya sido establecida.
- Ajuste el detector hacia arriba, abajo, o a los lados para cambiar la zona de detección del detector de movimiento (C).



5 Regulación del cuadrante ALCANCE

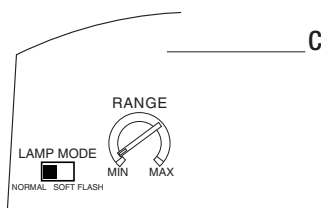
- Para aumentar la zona de detección, gire el cuadrante "ALCANCE" hacia la posición "MÁX".
- Para disminuir la zona de detección, gire el cuadrante "ALCANCE" hacia la posición "MÍN".



NOTA: El detector de movimiento (C) es más sensible al movimiento transversal a la parte frontal del detector. El detector de movimiento (C) es menos sensible al movimiento que se dirige directamente hacia la parte frontal del detector.



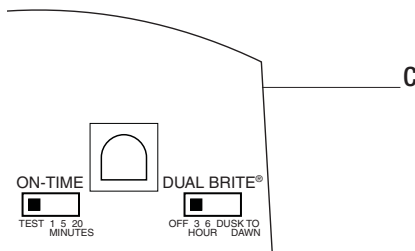
NOTA: Mientras mayor sea la calibración del "ALCANCE" (sensibilidad), mayor será la posibilidad de falsas alarmas. Para reducir las falsas alarmas, gire el control del "ALCANCE" hacia la calibración "MÍN".



6 Regulación del interruptor de DURACIÓN

El interruptor de DURACIÓN determina el lapso de tiempo que la luz permanece encendida con todo su brillo luego que ha cesado el movimiento.

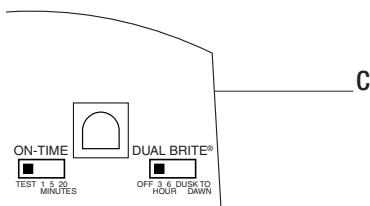
- Coloque el interruptor de DURACIÓN en la posición 1, 5 o 20 minutos.



7 Regulación del interruptor DUALBRITE

El interruptor DUALBRITE determina el lapso de tiempo que la luz permanece encendida con un nivel de luz reducido luego de la puesta del sol. Cambiando esta calibración a "OFF" ("DESCONECTADO") no quedará afectada la calibración de la DURACIÓN.

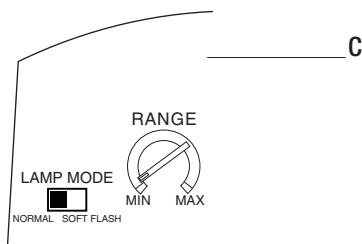
- Coloque el interruptor "DUALBRITE" en APAGADO (OFF), 3 horas, 6 horas o del crepúsculo al amanecer (de la puesta a la salida del sol).



8 Regulación del interruptor FASE LÁMPARA

El interruptor FASE LÁMPARA determina la manera en que las luces se encenderán cuando se detecta movimiento.

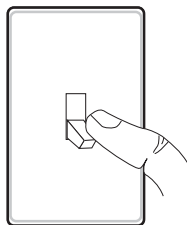
- Seguridad ("NORMAL")- La luz se enciende instantáneamente.
- Ahorrador de bombilla (BulbSaver) ("SOFT") La luz se enciende tenue y aumenta gradualmente hasta su brillo total. Cuando la luz se apaga su brillo primero bajará gradualmente a la mitad, luego pausará y luego continuará bajando hasta que se apaga.
- Destello de alerta (AlertFlash) ("FLASH") – La luz destella y luego se apaga, esto dos veces antes de encenderse con todo su brillo.
- Coloque la FASE LÁMPARA en las posiciones "NORMAL", "SOFT" o "FLASH"



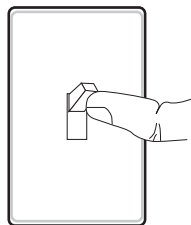
9 Uso de la fase manual

La fase manual anula el detector de movimiento (C) y el control de duración ("ON-TIME"), de esta forma la lámpara operará con todo su brillo. Esta característica funciona solamente en la noche y solamente una noche a la vez. El detector de movimiento (C) se reiniciará en la modalidad de detección de movimiento después de 6 horas o cuando salga el sol, lo que ocurra primero. La fase manual puede también alternar entre encendido y apagado mediante el interruptor de pared.

- Para encender la fase manual, apague la luz con el interruptor de pared entre 3 a 4 segundos y luego vuelva a encenderla.
- Para apagar la fase manual, apague la luz con el interruptor de pared entre 3 a 4 segundos y luego vuelva a encenderla.



Apague el interruptor entre 3 a 4 segundos



Vuelva a encender el interruptor



NOTA: Si la energía eléctrica al aparato de luz es apagada por más de 5 segundos, deje que el detector de movimiento se caliente antes del cambio a la fase manual.

Cuidado y limpieza

- Para mantener la apariencia original, limpie solamente con agua limpia y un paño húmedo y suave.
- No use pinturas, solventes ni otros químicos en este aparato de luz. Podrían ser la causa de una prematura deterioración del acabado. Esto no es un defecto del acabado y no será cubierto por la garantía.
- No rocíe con manguera ni con una lavadora eléctrica.

Análisis de averías

Problema	Causa Probable	Solución
La lámpara no se enciende.	<ul style="list-style-type: none"> □ El interruptor de la luz está apagado. □ La bombilla está floja o quemada. □ El fusible está quemado o el disyuntor está desconectado. □ El apagado de la luz diurna (fotocélula) está vigente. □ El cableado del circuito es incorrecto, si esta es una instalación nueva. □ El detector de movimiento está enfocando a la dirección incorrecta. □ La temperatura del aire exterior está cercana al calor corporal de una persona. 	<ul style="list-style-type: none"> □ Encienda el interruptor de la luz. □ Revise la bombilla y cámbiela si está quemada. □ Cambie el fusible o conecte el disyuntor. □ Vuelva a revisar al amanecer. □ Verifique que el cableado esté correcto. □ Vuelva a enfocar el detector de movimiento para que cubra el área deseada. □ Aumente la calibración del alcance ("RANGE").
La luz se enciende durante el día.	<ul style="list-style-type: none"> □ El detector de movimiento puede estar instalado en un sitio relativamente oscuro. □ El interruptor de duración ("ON-TIME") está en la posición prueba ("TEST"). 	<ul style="list-style-type: none"> □ El aparato de luz está operando normalmente bajo estas circunstancias. □ Coloque el interruptor de duración ("ON-TIME") en la calibración 1, 5 o 20 minutos.
La luz se enciende sin razón aparente.	<ul style="list-style-type: none"> □ El detector de movimiento puede estar detectando pequeños animales o tráfico automotor. □ El cuadrante alcance ("RANGE") está calibrado demasiado alto. □ El interruptor "DUALBRITE" está en la calibración 3 horas, 6 horas, o del crepúsculo al amanecer. □ La temperatura exterior está más caliente o más fría que el calor corporal de una persona (verano o invierno). □ El aparato de luz está cableado a través de un reductor de luz o de un temporizador. 	<ul style="list-style-type: none"> □ Vuelva a enfocar al detector de movimiento. □ Reduzca la calibración del alcance ("RANGE"). □ El aparato de luz está operando normalmente bajo estas circunstancias. □ Disminuya la calibración alcance ("RANGE"). □ No use un reductor de luz o un temporizador para controlar el aparato de luz. Cambie el reductor de luz o el temporizador por un interruptor de pared estándar de encendido/apagado.

Análisis de averías (continuación)

Problema	Causa Probable	Solución
Las luces se apagan demasiado tarde en la calibración crepúsculo-al-amanecer.	El aparato de luz puede estar instalado en un sitio relativamente oscuro.	Vuelva a ubicar el aparato de luz o utilice la calibración 3 horas o 6 horas.
Las luces permanecen encendidas constantemente.	<ul style="list-style-type: none"> □ Una bombilla está demasiado cerca del detector de movimiento o enfocando a objetos cercanos que producen calor y activan el detector de luz. □ El detector de movimiento puede estar absorbiendo calor de una fuente de calor como una ventosa de aire, una secadora de aire, o una superficie pintada con colores brillantes y que refleja el calor. □ El detector de movimiento está en la fase manual. □ El aparato de luz está cableado a través de un reductor de luz o de un temporizador. □ El aparato de luz está en el mismo circuito que un motor, transformador o tubo fluorescente. 	<ul style="list-style-type: none"> □ Vuelva a colocar la bombilla apartándola del detector de movimiento o de los objetos cercanos. □ Reduzca la calibración del alcance ("RANGE") o vuelva a colocar el detector de movimiento. □ Cambie el detector de movimiento a automático. Vea <i>Uso de la fase manual</i> en la página 21. □ No use un reductor de luz o un temporizador para controlar el aparato de luz. Cambie el reductor de luz o el temporizador por un interruptor de pared estándar de encendido/apagado. □ Instale el aparato de luz en un circuito sin motores, transformadores o tubos fluorescentes.
Las luces se encienden y se apagan.	<ul style="list-style-type: none"> □ El calor o la luz de las bombillas puede estar encendiendo y apagando al detector de movimiento. □ El calor reflejado desde otro objeto puede estar encendiendo y apagando al detector de movimiento. □ El detector de movimiento está en la fase "TEST" (PRUEBA) y calentándose. □ La luz puede tener un escape por los reflectores de la bombilla. □ El detector de movimiento está en la fase AlertFlash (FLASH). □ La bombilla CFL puede no ser un tipo de bombilla de intensidad regulable. 	<ul style="list-style-type: none"> □ Vuelva a colocar las bombillas lejos del detector de movimiento. □ Vuelva a colocar el detector de movimiento. □ El prenderse y apagarse es normal bajo estas condiciones. □ Cambie las bombillas con nuevas bombillas PAR 38 de alta calidad. □ El prender y apagarse es normal en esta fase. Seleccione la fase de Seguridad ("NORMAL") o BulbSaver ("SOFT") para desactivar el prendido y apagado. □ Utilice solo bombillas con estabilización incorporada y regulables CFL (SBCFL).
Las luces destellan una vez y luego permanecen apagadas en la fase manual.	El detector de movimiento está detectando luz que viene de las bombillas.	Vuelva a poner las bombillas para mantener relativamente oscura el área debajo del detector de movimiento.

DEFIANT®

¿Tiene preguntas, problemas o piezas faltantes? Antes de la devolución al almacén llame al
Servicio al Cliente de Defiant de
8 a.m.-6 p.m., Hora del Este, de lunes a viernes.

1-866-308-3976

HOMEDEPOT.COM

Guarde este manual para uso futuro.

Free Manuals Download Website

<http://myh66.com>

<http://usermanuals.us>

<http://www.somanuals.com>

<http://www.4manuals.cc>

<http://www.manual-lib.com>

<http://www.404manual.com>

<http://www.luxmanual.com>

<http://aubethermostatmanual.com>

Golf course search by state

<http://golfingnear.com>

Email search by domain

<http://emailbydomain.com>

Auto manuals search

<http://auto.somanuals.com>

TV manuals search

<http://tv.somanuals.com>