



Delvcam DELV-HDSD-10 User Guide



IMPORTANT SAFETY INSTRUCTIONS:

- Please read manual before using this product.
- Please keep manual for future reference.
- Please read the cautions to prevent possible danger and loss of property
- Please enjoy the benefits of convenience, safety, and space-saving from this TFT LCD monitor in different ways.

FEATURES:

- This product employs integrate circuits, lower power consumption, and lower radiation emission. It has fashion designed appearance and good portability;
- LED backlight display makes the device much thinner, more power saving;
- Video (or SDI)、YPbPr、 Dual audio and HDMI inputs, to connect with HD camera;
- High brightness & contrast with flexible folding sun shade cover, makes picture detail much clearer, more vivid outline, stronger sense of hierarchy;
- 178°/ 178°(H/V) wide viewing angles, to provide better viewing effect;
- **1024×768** high resolution
- DC 7-24V wide range voltage.

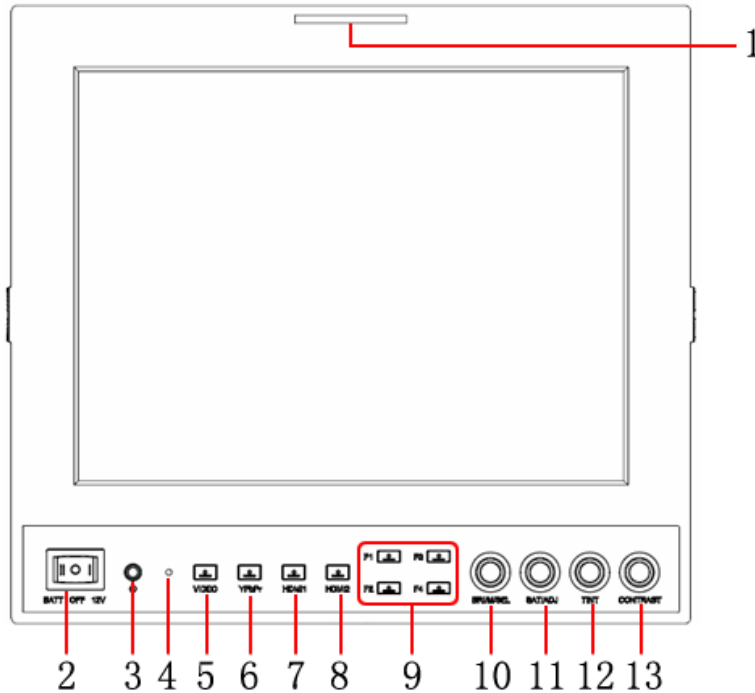
CAUTIONS:

1. Please do not place the display screen face down on the ground.
2. Please avoid heavy impact, do not drop monitor.
3. The LCD screen scratches easily. Be sure screen does not come into contact with sharp objects.
4. Please do not block any of the vent holes.
5. Please follow the instructions and trouble-shootings to adjust the product. Other improper adjustment may result in damage. Any further adjustment must be performed or conducted by a qualified technician.
6. Please unplug the power or remove the battery if long-term no-use, or during lightning / electrical storms.

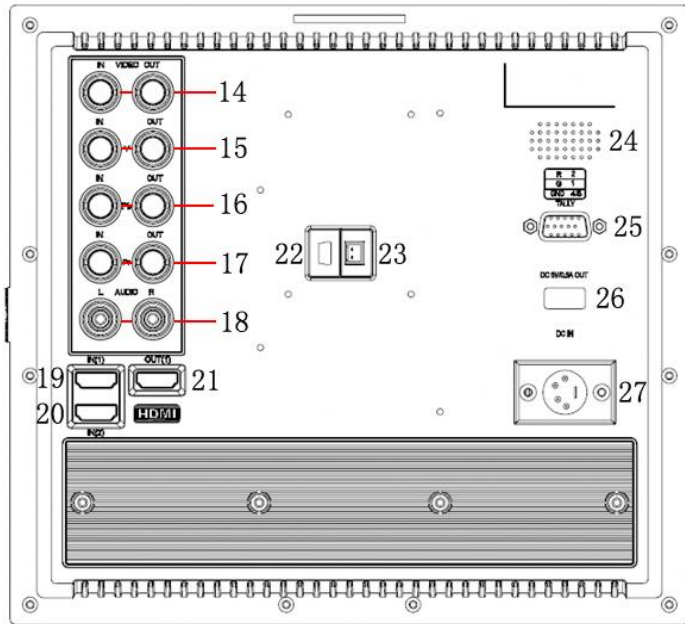
Contents

1. PRODUCT DESCRIPTION	2
2. INSTALLATION OF SUNSHADE COVER.....	4
3. DV BATTERY MOUNT PLATE.....	5
4. SETTING MENU	7
5. ACCESSORIES:.....	9
6. PARAMETERS	10
7. TROUBLE SHOOTING	10

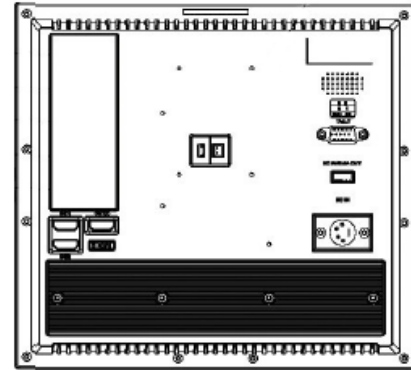
1. PRODUCT DESCRIPTION



1. TALLY (indicator light);
2. Battery power on/off switch: “ || ” is battery power; “O” is power off; “|” is DC power;
3. Earphone jack;
4. Power indicator light;
5. VIDEO: Indicator lights up when signal switch to video state;
(No use under the SDI mode);
6. YPbPr: Indicator lights up when signal switch to YPbPr state;
7. HDMI1: Indicator lights up when signal switch to HDMI 1 state;
8. HDMI2: Indicator lights up when signal switch to HDMI 2 state;
(Signal switch to SDI state under the SDI mode);
9. F1-F4:4 user-definable buttons:
Default functions: F1: Peaking
F2: False Color
F3: Exposure
F4: Histogram
10. Knob BRI/M/SEL: Press the knob to access the menu function, pressing the knob in the menu to return to the previous page or exit the menu. Rotate knob to select an option;
Default as Brightness function.
11. Knob SAT/ADJ: Press the knob to select main MENU options; rotate knob to confirm the selection and adjust parameter values;
Default as Saturation function.
12. Knob TINT: Default as Tint function;
13. Knob CONTRAST: Default as Contrast function.



※ Optional: Without BNC interfaces



- 14. Video signal output / input (Optional: SDI signal input/ output);
- 15. Y signal input / output;
- 16. Pb signal input / output;
- 17. Pr signal input / output;
- 18. Audio (L/R) input;
- 19. HDMI 1 signal input;
- 20. HDMI 2 signal input (no use under SDI mode);
- 21. HDMI signal loop output (optional);
- 22. Mini USB input (Only for program upgrades, do NOT use if non-professionals)
- 23. Power cable interface (connecting to the battery plate);
- 24. Speaker;
- 25. TALLY signal input;
- 26. USB output port (DC 5V/0.5A)
- 27. 4-pin XLR DC power input.

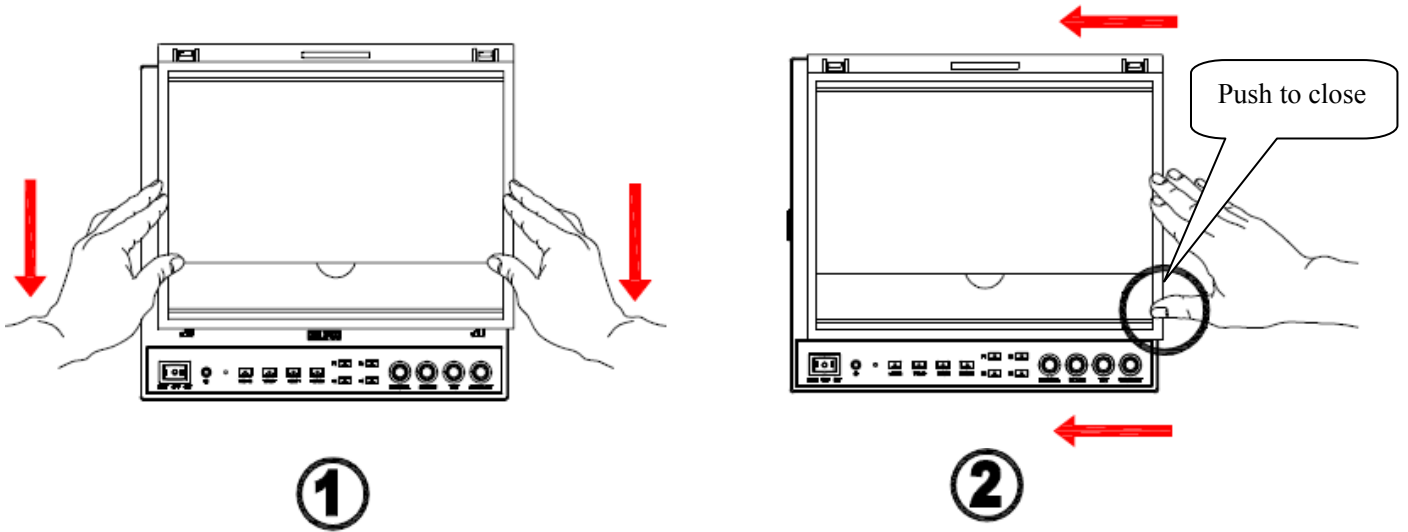
	Pin number	Signal
	①	GND
	②③
	④	+12V

Ps: Unavailable under SDI mode 26 (USB 5V/0.5A output power).

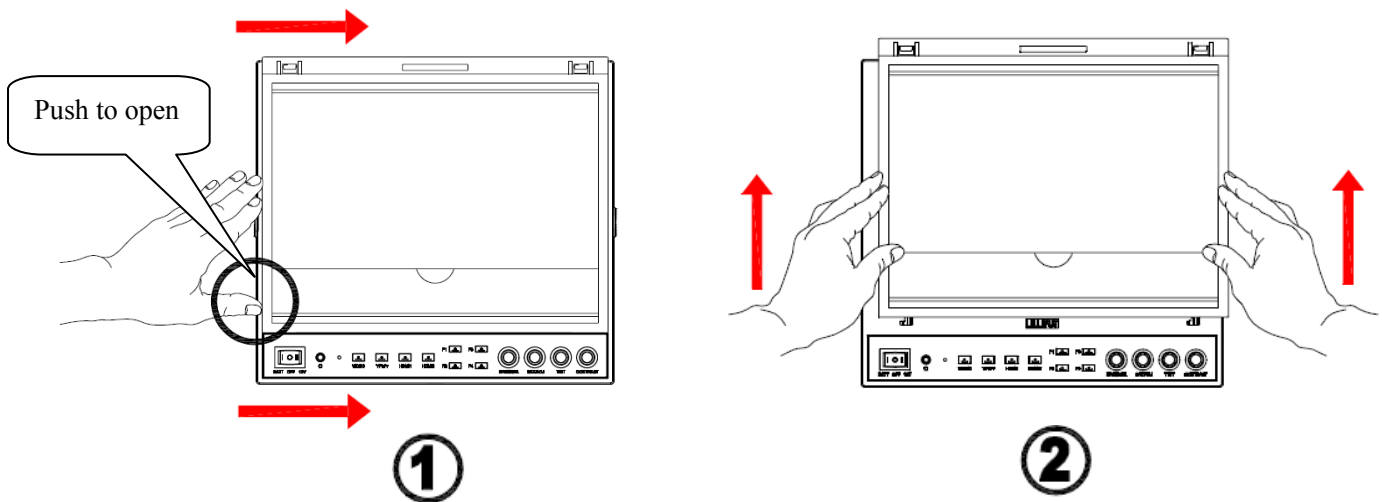
2. INSTALLATION OF SUNSHADE COVER

Pushing to close / open sunshade from assigned round area when assembly / disassembly. (i.e. assembly instruction ② / disassembly instruction ①); otherwise assembly / disassembly failed, and even damaged.

Assembly instructions

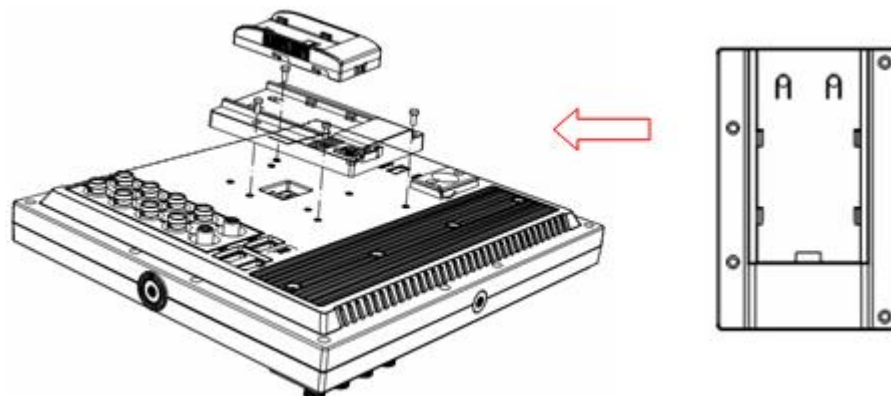


Disassembly instructions

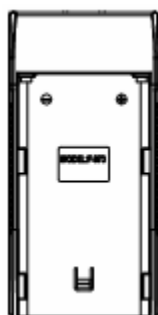


3. DV BATTERY MOUNT PLATE

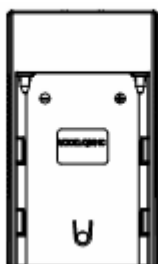
Standard mounts process



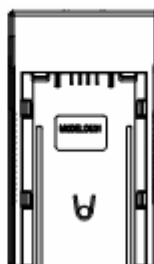
Following three types of battery plates are suitable for this device, model F970, QM91D, DU21 & LP-E6 (choose 2 out of 4).



MODEL: F-970



MODEL: QM91D



MODEL: DU21



MODEL: LP-E6

DV Battery Mount Plate:

DV Battery Mount Plate Specification:

Model DU21 for battery of Panasonic DV:

NV-GS/PV-GS/DZ-MV/GS/H28/H258/H288GK series, comply with Panasonic battery DU06/VBD140/SANYO DZhs301sw/Hitachi DZ-HS303SW/BZ-BP14S/DZ3200/BP07W.

Model QM91D for battery of SONY DV:

DSCR1/F/S/MVCCD/E/HC15E/HC1E/AE1u/DCRTRV828/E/CCD-TRV116/DCR-DVD/PS105K/300K/10P/1E series.

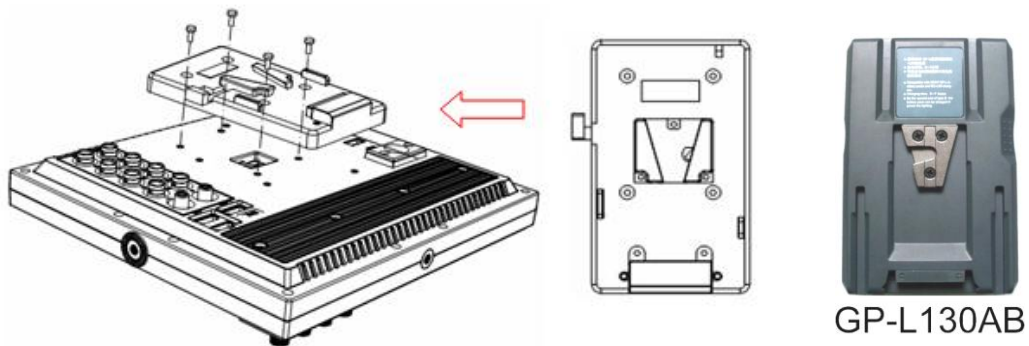
Model F970 for battery of SONY DV:

DCR-TRV series, DCR-TRV E series, VX2100E PD P series, GV-A700, GV-D800 FD/CCD-SC/TR3/FX1E/HVR-AIC, HDR-FX1000E, HVR-Z1C, HVR-V1C, FX7E F330.

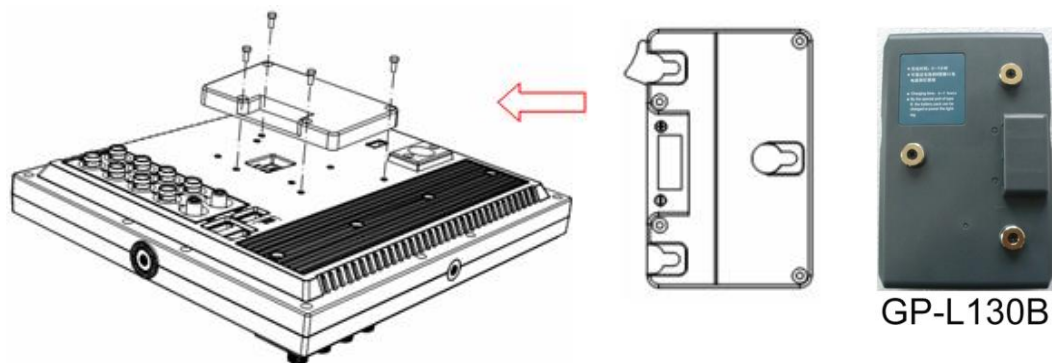
Model LP-E6 for battery of Canon DSLR:

5D Mark II/EOS7D/EOS60D;

V-mount battery plate (optional): Please refer to GP-L130AB type battery specifications.



Anton Bauer mount battery plate (optional): Please refer to GP-L130B type battery specifications.



4. SETTING MENU

Before setting the functions, please make sure the device is connected correctly.

When power on, press BRI/M/SEL knob on the device, function menus will pop-up on the screen. After confirm the option value, then press BRI/M/SEL knob to return to the previous, and press the BRI/M/SEL knob again to exit the menu settings.

BRI / M / SEL knob to select an option.

SAT / ADJ knob to select the main menu, adjusting option values and confirm the selection.



ITEMS	OPTIONS
Color Temp	6500°K/7300 °K/9300 °K/User
	Red
	Green
	Blue
	Note: Only available under “User” mode to meet the color value you need.
Check Field	OFF, MONO, Red, Green and Blue
Aspect Ratio	Full Screen and 16:9
Pixel-to-Pixel	ON/OFF
Camera	480P (5DII Mode) / 1080I (5DIII Mode)
H/V delay	OFF, H&V Delay, V Delay and H Delay
Underscan	ON/OFF

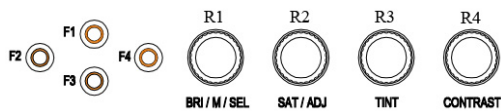


ITEMS	OPTIONS
Center Marker	ON/OFF
Screen Markers	OFF, 95%, 93%, 90%, 88%, 85% and 80%



ITEMS	OPTIONS
Language	English /Chinese
PIP	Small, Medium, Large, PBP, POP In small, medium and large interface can adjust the source, position, and swap; In PBP and POP interface can adjust the source and swap.
Input Format OSD	5s、 10s、 15s
LOGO	ON/ OFF
Freeze Input	ON/ OFF
Peaking	Mono/ Color
Assistant Func.	Manual/ Auto
Manufacturer Default	OK/Cancel(Reverse the SAT / A DJ knob to select "OK")
ISP	For program upgrades (Please reboot your computer if press accidentally!)

Function of buttons and knobs can be customized by users' needs.



Functions of F1-F4 buttons can also be customized:

- Aspect Ratio • Check Field • Freeze Input • Center Marker
- Underscan • H/V delay • Color Bar • Screen Marker
- Zoom • Camera • Pixel-to-Pixel • PIP
- Peaking • False Color • Exposure • Histogram.

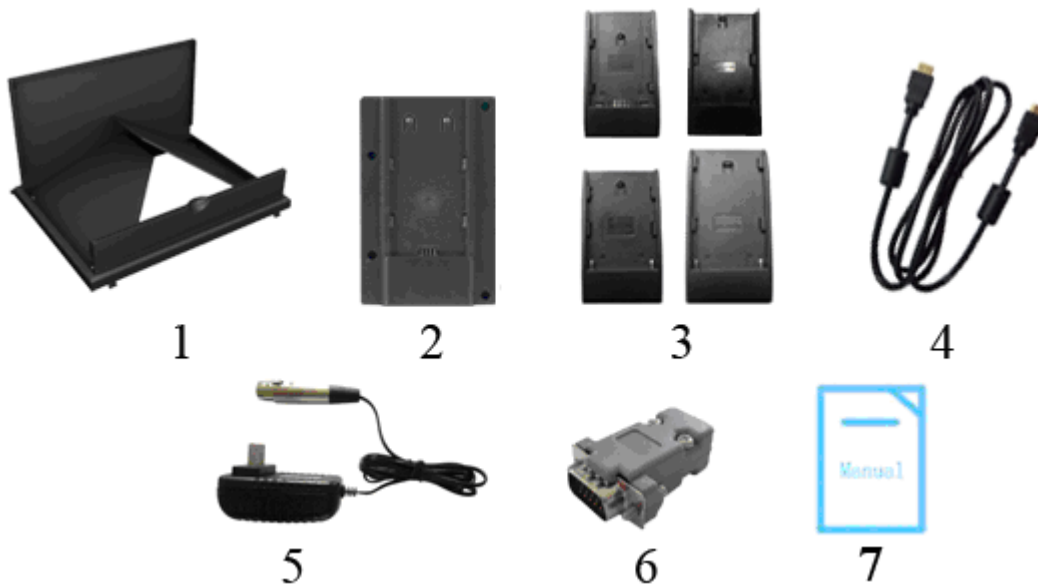
Functions of R1-R4 buttons can also be customized:

- Contrast • Brightness • Saturation
- Tint • Volume • Sharpness

Note: Off, camera, X2, X4 and X8 options can be set when zoom function customized as shortcut key.

5. ACCESSORIES:

Standard accessories:



- | | |
|---|------------------------------|
| 1. Flexible folding sun shade cover | 1 piece |
| 2. Battery plate bracket | 1 piece |
| 3. Battery plate (F-970/QM91D/DU21/LP-E6) | 2 pieces (choose 2 out of 4) |
| 4. HDMI type A-A | 1 piece |
| 5. DC 12V power adapter (XLR connector) | 1 piece |
| 6. TALLY connector | 1 piece |
| 7. Manual | 1 copy |

Optional accessories:



- | | |
|------------------------------------|---------|
| 1. Gimbals bracket | 1 piece |
| 2. Anton Bauer mount battery plate | 1 piece |
| 3. V-mount battery plate | 1 piece |
| 4. Suitcase | 1 piece |

6. PARAMETERS

Panel	9.7”
Physical Resolution	1024×768
Brightness	400cd/m ²
Contrast	600:1
Viewing Angle	178°/ 178°(H/V)
Input Voltage	DC 12V (XLR Connector)
Power Consumption	≤18W
Operating Temperature	-20℃~60℃
Storage Temperature	-30℃~70℃
Dimension(LWD)	246×224×31mm / 167.5mm (with cover open)
Weight	1068g / 1388g (with cover)

7. TROUBLE SHOOTING

1. Only black-and-white display:

- Check whether the color saturation is properly setup.


2. Power on but no pictures:

- Check whether the cables of Video (or SDI), HDMI and YPbPr are correctly connected or not. Please use the standard power adapter coming with the product package. Improper power input may cause damage.


3. Wrong or abnormal colors:

- Check whether the cables are correctly and properly connected. Broken or loose pins of the cables may cause a bad connection.
- Adjust the color temperature or saturation values to make it displayed as normal proportion.

4. When on the picture shows size error:

- press “MENU→→Underscan” to zoom in/out pictures automatically when receiving HDMI (High-Definition Multimedia Interface) signals.
- Set shortcut key to zoom function, and then adjust it.
- Check whether the aspect ratio switch into 16:9 or not.

5. Other problems:

- Please press “MENU” button and choose “→Manufacturer Default →OK”

6. According to the ISP, the machine can not function properly:

- ISP for program upgrades, non-professionals do not use. If accidentally press this key, restart the system.

*** It is normal to see some bright lines appear on the screen when turn off the device.**

Note: due to constant effort to improve products and product features, specifications may change without notice.

DELVCAM®

delvcam.com

P.O. Box 720, Mount Marion, New York 12456 USA

Office: 800.543.0909 • Fax: 845.246.0626 • Email: info@delvcam.com

Free Manuals Download Website

<http://myh66.com>

<http://usermanuals.us>

<http://www.somanuals.com>

<http://www.4manuals.cc>

<http://www.manual-lib.com>

<http://www.404manual.com>

<http://www.luxmanual.com>

<http://aubethermostatmanual.com>

Golf course search by state

<http://golfingnear.com>

Email search by domain

<http://emailbydomain.com>

Auto manuals search

<http://auto.somanuals.com>

TV manuals search

<http://tv.somanuals.com>