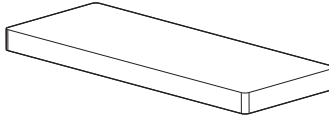
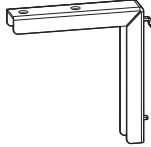
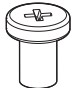


**D-BOARD
SHELVES M-TWIN PACK
USER GUIDE**

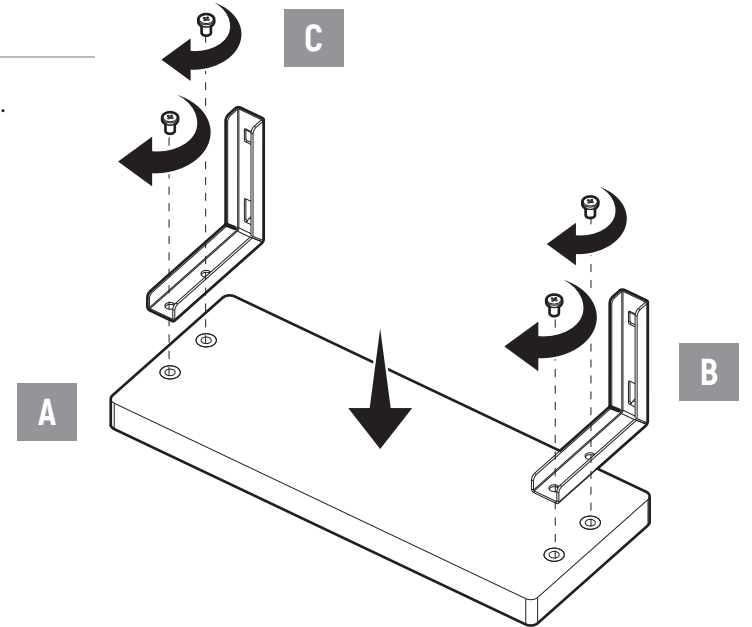
COMPONENT LIST

- A** Board of Shelves M x 2 
- B** L-Bracket x 4 
- C** M6 Cross Screw x 8 

INSTALLATION

ASSEMBLY

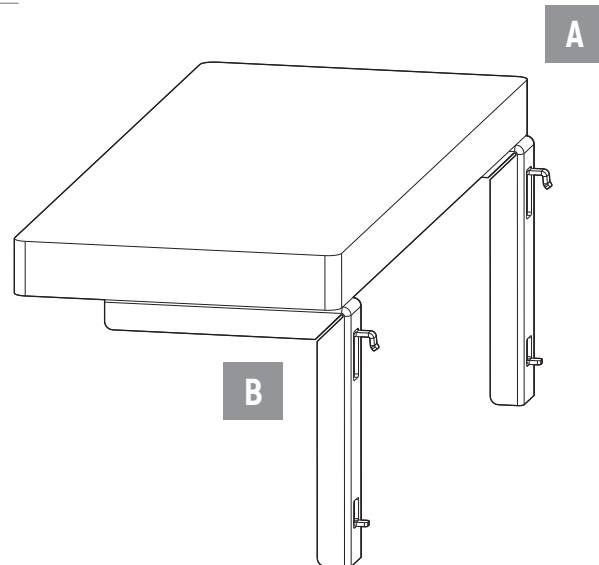
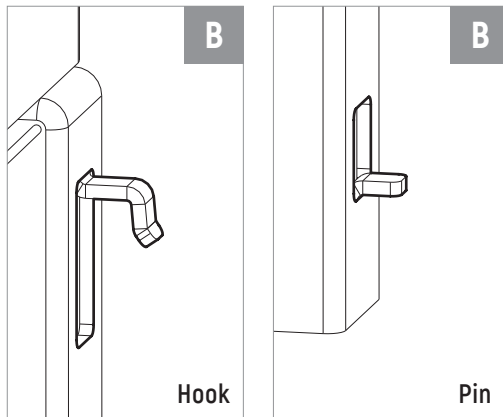
01 - Fasten the L-bracket onto the bottom of the D-BOARD shelves M wood board by M6 screws.



INSTALLATION

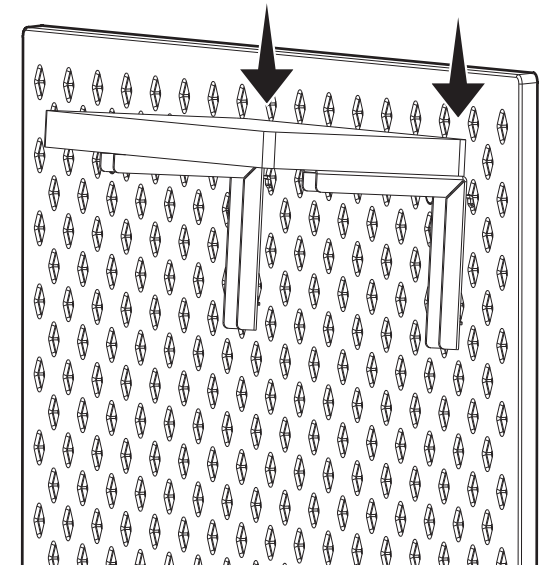
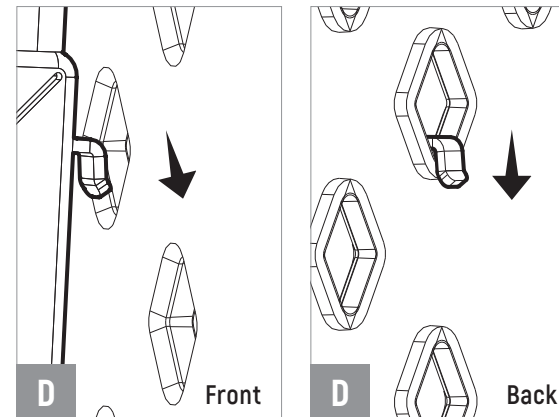
About the Quick-Mount Fastener

01 - Each L-bracket include a quick-mount fastener which includes one hook and one pin. The quick-mount fastener is used for mounting the Shelves M on or remove it from the D-BOARD.



Installation on the D-BOARD

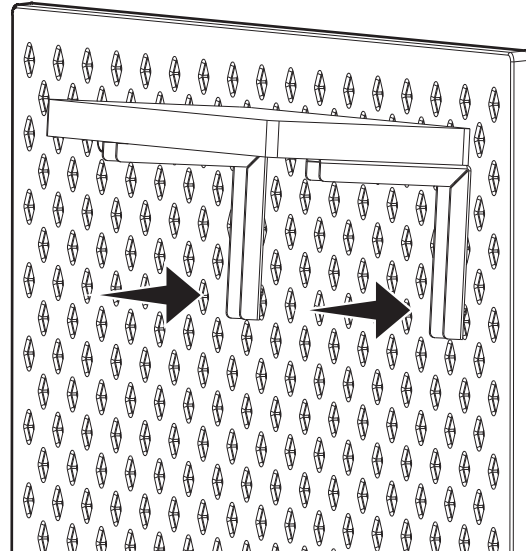
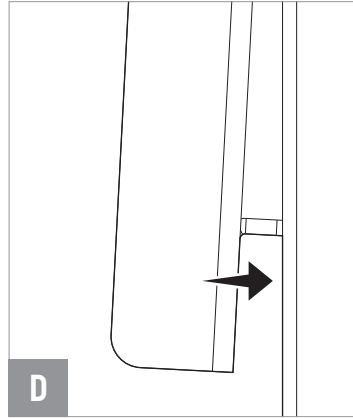
01 - Hang the two hooks of brackets on the upper holes from front side of the D-BOARD.



INSTALLATION

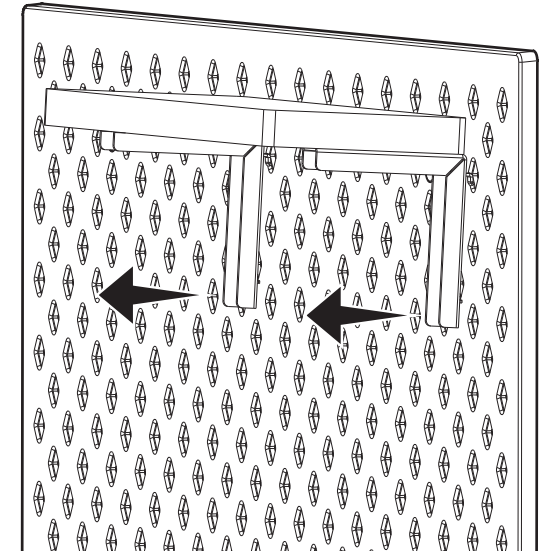
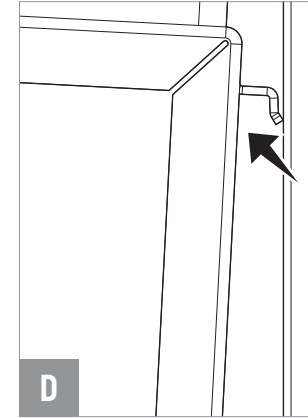
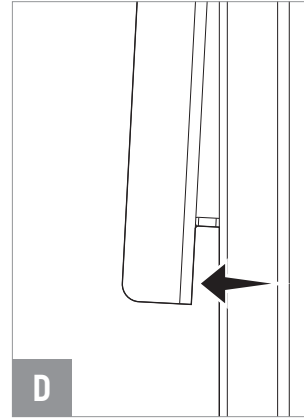
Installation on the D-BOARD

02 - Push two pins into the lower holes. Make sure the brackets are fixed against the board.



Remove from D-BOARD

01 - Follow steps to pull out the pins of the brackets and move up the hooks to leave the holes.



SPECIFICATIONS

SPECIFICATIONS

Model &	Black Edition	DA-DBSVM2-BK1
Model Number	White Edition	DA-DBSVM2-WH1
Material	Board: High Density Wood MDF (Medium-Density Fiberboard)	
	Board Surface: PVC	
	Board Bottom: Melamine	
	Bracket: Steel	
Type	D-BOARD Shelves M	
Q'ty	2	
Dimensions (WxDxH)	31 x 13 x 11.5 cm (13 x 5.1 x 4.3 inches)	
Available Surface (WxD)	31 x 12 cm (13 x 4.72 inches)	
Max. Load	1.5 kg (3.3 lbs) each (TBD)	
WARRANTY		
Warranty	2 Years	

DEZCTOP WARRANTY POLICY

Version: 1.0 2019/10/31

I. WHAT IS COVERED

This warranty only covers DEZCTOP products which you purchase from an authorized DEZCTOP reseller. This warranty is limited to the original purchaser and is non-transferable.

II. WARRANTY PERIOD

All DEZCTOP products carry a 2-year warranty from the date of purchase. Proof of purchase is required for warranty service.

III. WHAT IS NOT COVERED

This warranty does not cover the following:

- > any product or serial number/warranty sticker modification applied without permission from DEZCTOP;
- > any damage that is not a manufacturing defect;
- > damage, deterioration or malfunction resulting from: accident, abuse, misuse, neglect, fire, water, lightning, or other acts of nature, unauthorized product modification or failure to follow instructions included with the product;
- > any improper installation, unauthorized alternations or modifications, or repair or attempted repair by anyone not authorized by DEZCTOP;
- > any other cause not related to a product defect in materials or workmanship;
- > shipping or transport damage (claims must be made with the carrier);
- > wear and tear from normal use.

DEZCTOP does not warrant that this product will meet your requirements. It is your responsibility to determine the suitability of this product for your purpose.

IV. EXCLUSION OF DAMAGES (DISCLAIMER)

DEZCTOP's sole obligation and liability under this warranty is limited to the repair or replacement of a defective product at our option. DEZCTOP shall not, in any event, be liable for any incidental or consequential damage, including but not limited to damages resulting from interruption of service and loss of data, business, or for liability in tort relating to this product or resulting from its use or possession.

V. LIMITATIONS OF IMPLIED WARRANTIES

There are no other warranties, expressed or implied, including but not limited to those of merchantability or fitness for a particular purpose. The duration of implied warranties is limited to the warranty period specified in Paragraph II.

VI. TO OBTAIN TECHNICAL SUPPORT.

If you have already referenced the user guide of your products and still need help, please contact us via support@dezctop.com or check FAQs (in Supports) on DEZCTOP website dezctop.com.

VII. FOR WARRANTY SERVICE

Global warranty is not currently available. In the event that warranty repair or replacement is necessary, DEZCTOP will request and you must provide proof of purchase (store receipt or invoice) in order to receive warranty service. If your product needs to be returned or repair within the warranty period, please do so through the retailer or distributor from whom you purchased the product. If you can no longer return the product to your dealer, please contact DEZCTOP Customer Support for assistance. Please note, proof of purchase from an authorized DEZCTOP retailer is required for all warranty servicing.

SUPPORT & SERVICE

If you have any other questions or problems with DEZCTOP product you purchased, please contact us by e-mail **DEZCTOP Customer Support** (support@dezctop.com).

Please include a detailed explanation and take some photos of your problem and your proof of purchase.

For comments and suggestions, you can also e-mail support@dezctop.com.

For more information about DEZCTOP, please visit us online. **DEZCTOP Website:** dezctop.com

DEZCTOP Customer Support: support@dezctop.com
DEZCTOP Website: dezctop.com
Warranty & FAQs: [Supports on dezctop.com](http://Supports.on.dezctop.com)

Free Manuals Download Website

<http://myh66.com>

<http://usermanuals.us>

<http://www.somanuals.com>

<http://www.4manuals.cc>

<http://www.manual-lib.com>

<http://www.404manual.com>

<http://www.luxmanual.com>

<http://aubethermostatmanual.com>

Golf course search by state

<http://golfingnear.com>

Email search by domain

<http://emailbydomain.com>

Auto manuals search

<http://auto.somanuals.com>

TV manuals search

<http://tv.somanuals.com>