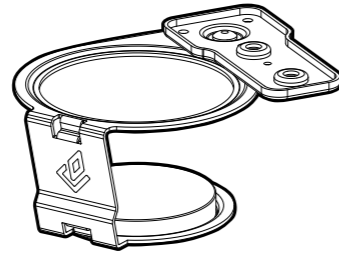


**CPU HOLDER
USER GUIDE**

A Cup Holder with Coaster x 1



B M6 Cross Screws x 2

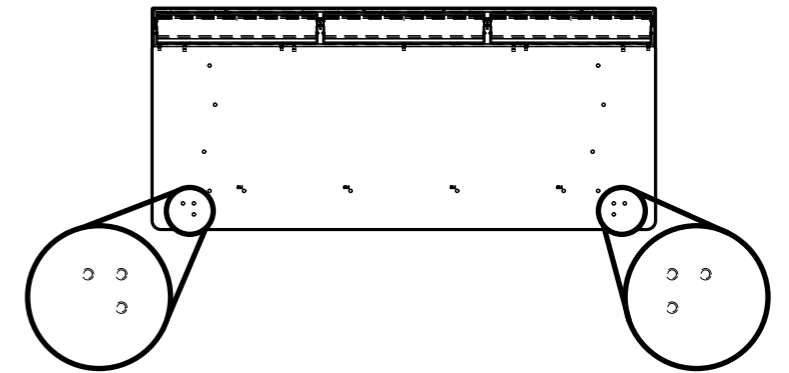


C M3.5 Self-Tapping Screw x 2



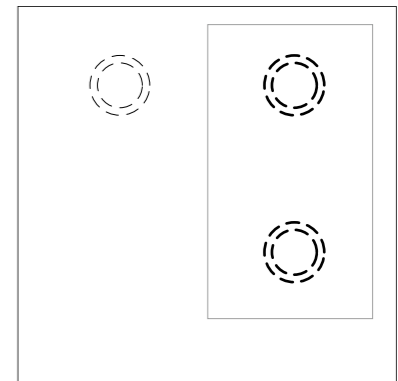
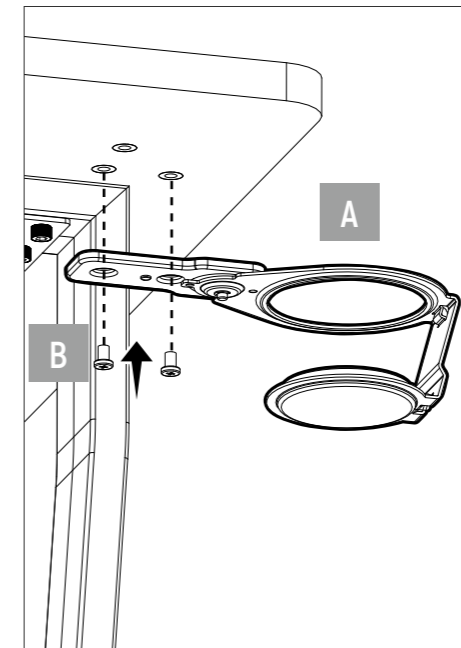
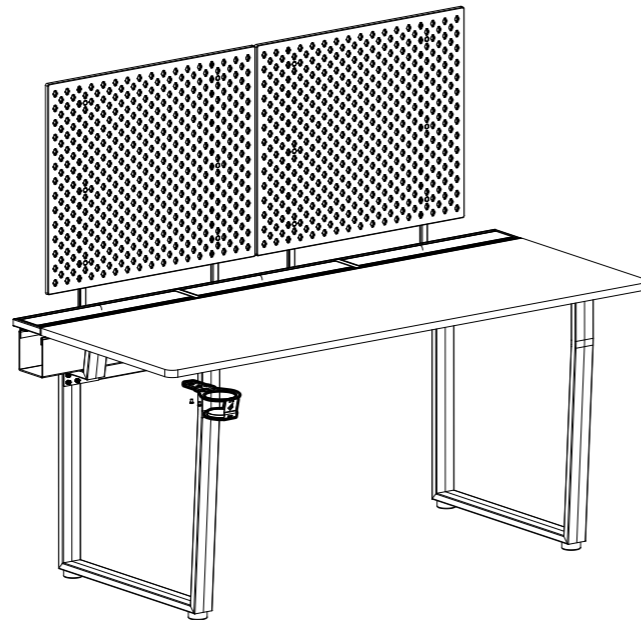
**INSTALLATION ON
DEZCTOP BIFROST DB160/D160 DESK**

01 - There are 3 reserved side-mounting ports both at left and right side under the tabletop. Choose favorite side for installation.



**INSTALLATION ON
DEZCTOP BIFROST DB160/D160 DESK**

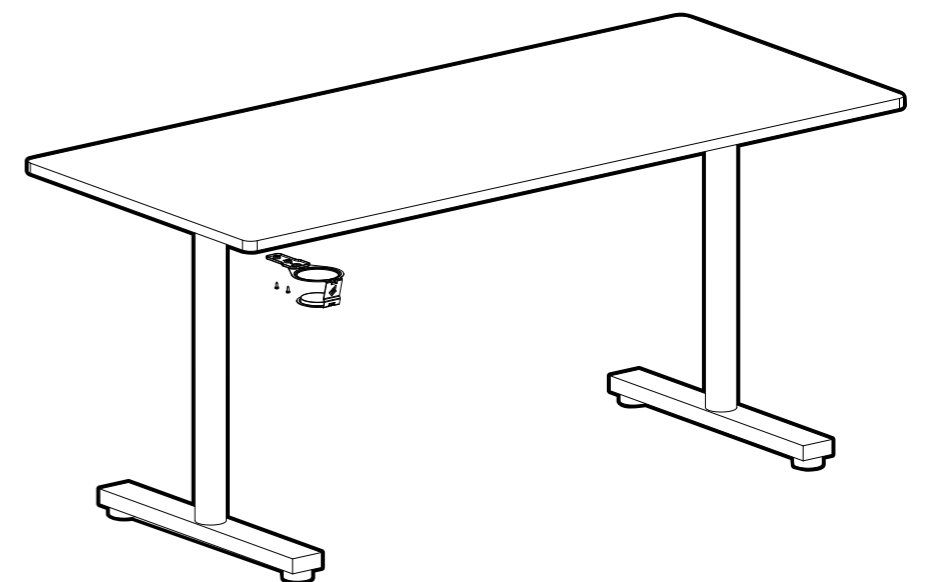
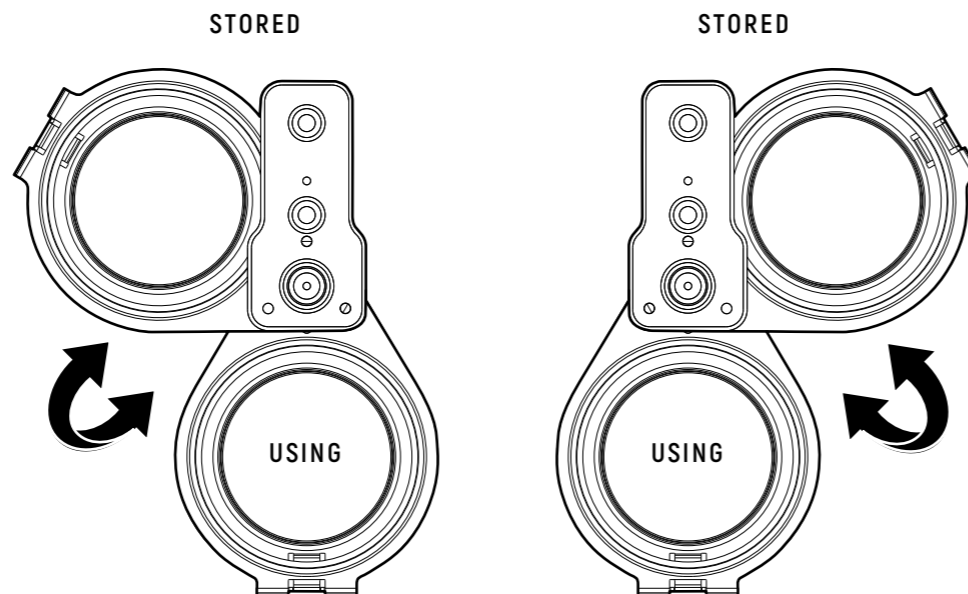
02 - Fasten the cup holder onto two of side-mounting ports under the tabletop by M6 Cross Screws.



Side-Mounting Ports

INSTALLATION DESKS

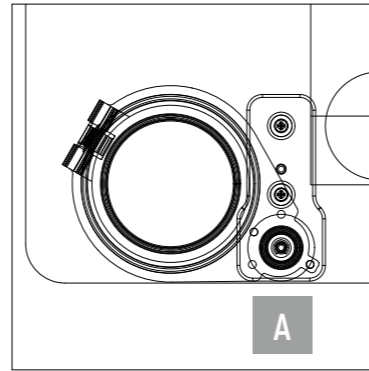
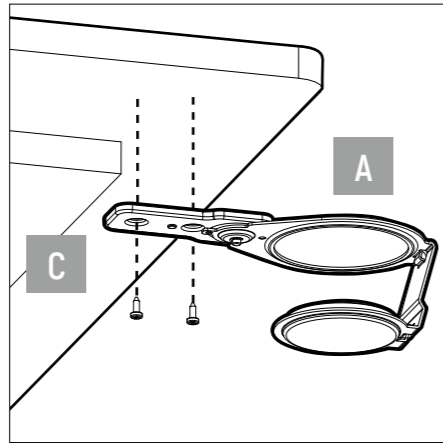
01 - The cup holder is foldable and requires a clearance for the front holder. Choose an appropriate position under the tabletop for installation.



INSTALLATION ON OTHER DESKS

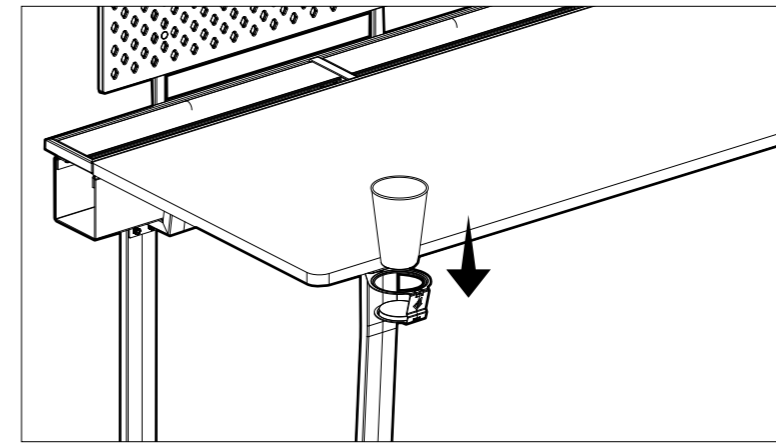
02 - Fasten the cup holder onto the tabletop by M3.5 self-tapping screws. Make sure the cup holder is entirely within the tabletop but close to the edge while at STORED position.

SOLID TABLETOP



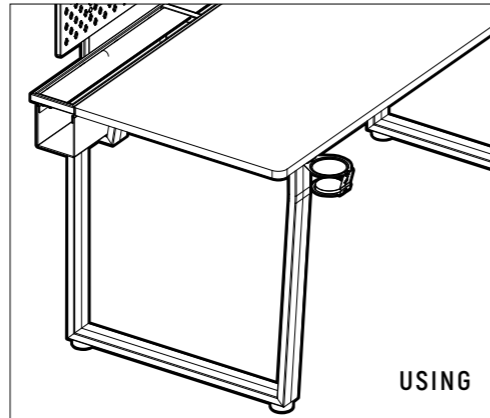
START TO USE

Place your beverages into the front bracket.

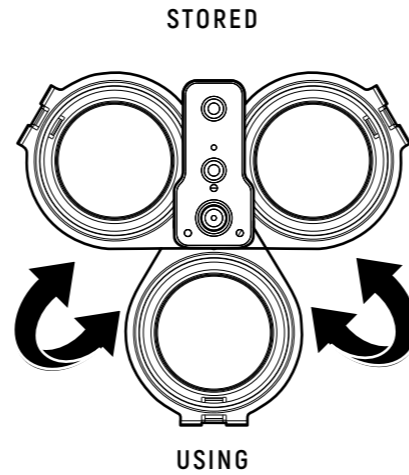


USING OR STORED

The front holder can be rotated to left or right side. Rotate the front holder to STORED position to keep you safe while you don't use the cup holder.

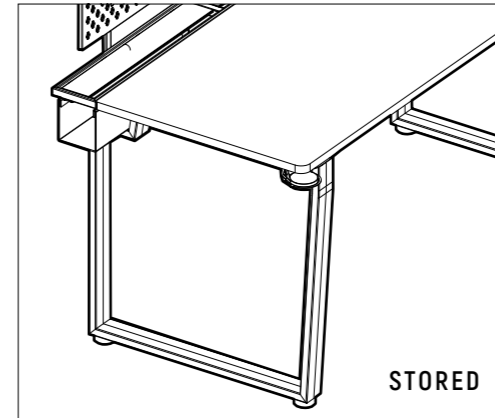


USING



STORED

USING



STORED

SPECIFICATIONS

CAP HOLDER

Model & Model Number	Black Edition	DA-CUPSHR-BK1
	White Edition	DA-CUPSHR-WH1
Material	Steel	
Dimensions (WxDxH)	100 x 195.6 x 62.5 mm (3.9 x 7.7 x 2.4 inches)	
Capacity	Beverages whose vessels' diameter are up to 80 mm (3.1 inches) and weight is up to 800 g (28 oz)	
Material of Coaster	Diatomaceous earth	

WARRANTY

Warranty	2 Years
----------	---------

DEZCTOP WARRANTY POLICY

Version: 1.0 2019/10/31

I. WHAT IS COVERED

This warranty only covers DEZCTOP products which you purchase from an authorized DEZCTOP reseller. This warranty is limited to the original purchaser and is non-transferable.

II. WARRANTY PERIOD

All DEZCTOP products carry a 2-year warranty from the date of purchase. Proof of purchase is required for warranty service.

III. WHAT IS NOT COVERED

This warranty does not cover the following:

- > any product or serial number/warranty sticker modification applied without permission from DEZCTOP;
- > any damage that is not a manufacturing defect;
- > damage, deterioration or malfunction resulting from: accident, abuse, misuse, neglect, fire, water, lightning, or other acts of nature, unauthorized product modification or failure to follow instructions included with the product;
- > any improper installation, unauthorized alternations or modifications, or repair or attempted repair by anyone not authorized by DEZCTOP;
- > any other cause not related to a product defect in materials or workmanship;
- > shipping or transport damage (claims must be made with the carrier);
- > wear and tear from normal use.

DEZCTOP does not warrant that this product will meet your requirements. It is your responsibility to determine the suitability of this product for your purpose.

IV. EXCLUSION OF DAMAGES (DISCLAIMER)

DEZCTOP's sole obligation and liability under this warranty is limited to the repair or replacement of a defective product at our option. DEZCTOP shall not, in any event, be liable for any incidental or consequential damage, including but not limited to damages resulting from interruption of service and loss of data, business, or for liability in tort relating to this product or resulting from its use or possession.

V. LIMITATIONS OF IMPLIED WARRANTIES

There are no other warranties, expressed or implied, including but not limited to those of merchantability or fitness for a particular purpose. The duration of implied warranties is limited to the warranty period specified in Paragraph II.

VI. TO OBTAIN TECHNICAL SUPPORT.

If you have already referenced the user guide of your products and still need help, please contact us via support@dezctop.com or check FAQs (in Supports) on DEZCTOP website dezctop.com.

VII. FOR WARRANTY SERVICE

Global warranty is not currently available.

In the event that warranty repair or replacement is necessary, DEZCTOP will request and you must provide proof of purchase (store receipt or invoice) in order to receive warranty service.

If your product needs to be returned or repair within the warranty period, please do so through the retailer or distributor from whom you purchased the product. If you can no longer return the product to your dealer, please contact DEZCTOP Customer Support for assistance. Please note, proof of purchase from an authorized DEZCTOP retailer is required for all warranty servicing.

SUPPORT & SERVICE

If you have any other questions or problems with DEZCTOP product you purchased, please contact us by e-mail
DEZCTOP Customer Support (support@dezctop.com).

Please include a detailed explanation and take some photos of your problem and your proof of purchase.

For comments and suggestions, you can also e-mail support@dezctop.com.

For more information about DEZCTOP, please visit us online. DEZCTOP Website: dezctop.com

DEZCTOP Customer Support: support@dezctop.com
DEZCTOP Website: dezctop.com
Warranty & FAQs: Supports.on.dezctop.com

Free Manuals Download Website

<http://myh66.com>

<http://usermanuals.us>

<http://www.somanuals.com>

<http://www.4manuals.cc>

<http://www.manual-lib.com>

<http://www.404manual.com>

<http://www.luxmanual.com>

<http://aubethermostatmanual.com>

Golf course search by state

<http://golfingnear.com>

Email search by domain

<http://emailbydomain.com>

Auto manuals search

<http://auto.somanuals.com>

TV manuals search

<http://tv.somanuals.com>