

⚠ IMPORTANT INSTRUCTIONS

When using electrical appliances, basic precautions should always be followed to reduce the risk of fire, electric shock and injury to person, including the following:

1. Read all instructions before using this heater.
2. Do not operate any heater after it malfunctions. Disconnect power at the service panel and have the heater inspected by a reputable electrician before reusing.
3. To disconnect the heater, turn the controls to the OFF position, and turn off the power to the heater circuit at the main disconnect panel.
4. Do not insert or allow foreign objects to enter any ventilation or exhaust opening, as this may cause an electric shock or fire, or damage the heater.
5. To prevent a possible fire, do not block the air intakes or exhaust in any manner.
6. A heater has hot and arcing or sparking parts inside. Do not use it in areas where gasoline, paint, or flammable vapors or liquids are used or stored.
7. Use this heater only as described in this manual. Any other use not recommended by the manufacturer may cause fire, electric shock, or injury to persons.
8. This heater is hot when in use. To avoid burns, do not let bare skin touch hot surfaces. Keep combustible materials, such as furniture, pillows, bedding, papers, clothes, etc. and curtains at least 3 ft. (0.9 m) from the front and sides of the heater.
9. Extreme caution is necessary when any heater is used by or near children or invalids, and whenever the heater is left operating and unattended.
10. Do not use outdoors.
11. Changes or modifications not expressly approved by the party responsible for compliance could void the user's authority to operate the equipment.

SAVE THESE INSTRUCTIONS

⚡ Installation Instructions

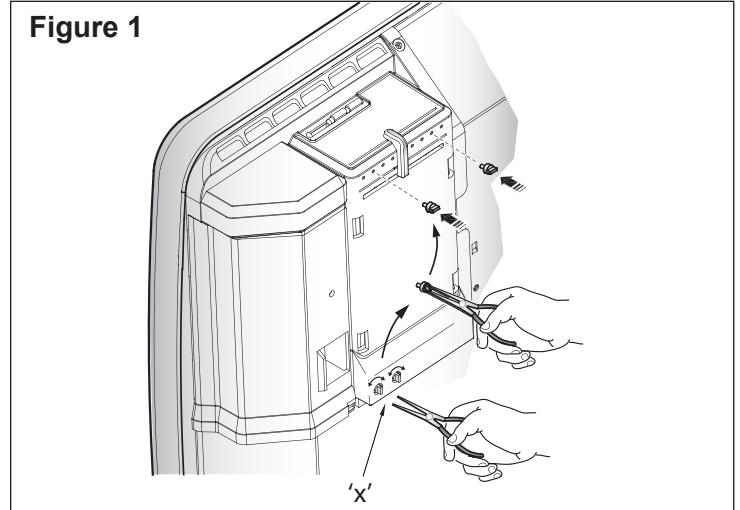
⚠ WARNING: Do not install the heater where the controls can be reached by a person bathing or showering.

⚠ CAUTION: The heater must not be located directly beneath a wall socket outlet.

⚠ CAUTION: The supplied hanging components are designed for use with this heater only. Improper use, or use for purposes other than intended, may cause damage or injury.

1. If desired, before mounting the electronic convector the thermostat slider can be set to limit the available range. (Figure 1)

Figure 1



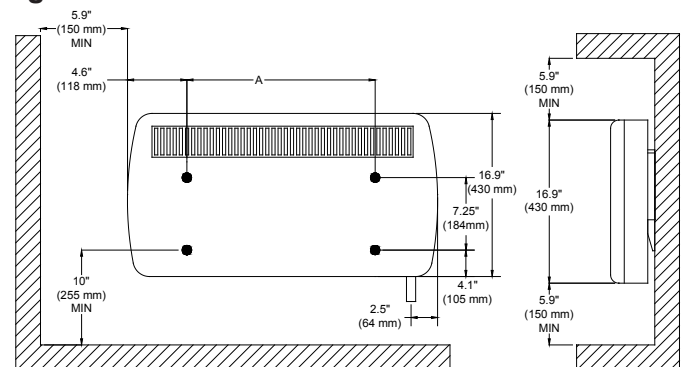
- Remove the two plastic pins.
 - Insert the pins in the preferred holes to limit the slider range.
2. Remove the mounting bracket from the back of the convector.
 3. Using the mounting bracket as a guide determine the location of the convector, see Figure 2 for minimum clearances.
 4. Attach the mounting bracket securely to the wall using the appropriate hardware (not included) for the mounting surface.
 5. Mount the convector to the mounting bracket.

! NOTE: Ensure that the air can enter and leave the heater freely, through the inlets at the bottom and the outlets at the top.

Electrical Connection

⚠ WARNING: Heater and controls should be installed by a

Figure 2



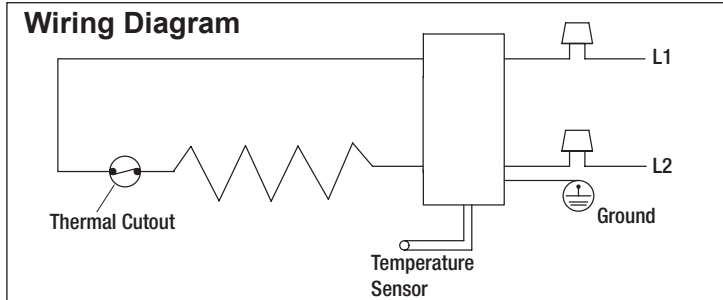
Model	A
DTX0500	4.6 in. (116 mm)
DTX1000	11.2 in. (285 mm)
DTX1500	14.0 in. (356 mm)
DTX2000	20.7 in. (526 mm)

qualified contractor. Wiring procedures and connections should be in accordance with the National Electric Code (CEC & NEC) and local codes.

Connect the supply wire into a properly rated recess box.

! NOTE: Consult your local electrical code for applicable wire gauge.

Connect L1 from the power supply to the L1 labelled wire from the unit, connect the L2 wire from the power supply to the L2 labelled wire from the unit, and connect the ground to the ground screw on the unit.



Operation

! WARNING: A minimum distance of 3 ft. (0.9 m) must be maintained in front of the heater.

! WARNING: This heater must be properly installed before it is used.

The manual controls are located on the right hand side, at the top of the appliance.

1. Press the power button to power on the unit. An indicator light beside the power button shows when the unit is powered on.
2. The indicator light below the heat symbol is illuminated when the elements are actually heating.

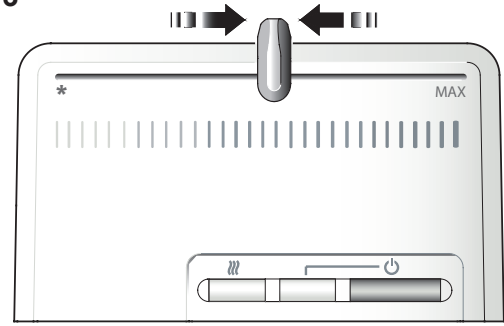
! NOTE: Should the heater overheat, an automatic thermal cut out will turn the heater off. The heater will reactivate once the heater has cooled.

Controlling the temperature

The heater is fitted with an adjustable thermostat, enabling the room temperature to be controlled by adjusting the slider accordingly.

1. The frost protector setting (★) represents a room temperature of approximately 5 °C (41 °F) and may be used for protection against frost.
2. The MAX setting represents a room temperature of approximately 30 °C (86 °F).
3. Adjust the slider to your individual comfort level. When the room temperature has reached the desired level, the power to the elements will be reduced. The heater will then maintain the room temperature at the chosen level.

Figure 3



Maintenance

! WARNING: Disconnect power and allow the unit to completely cool before attempting any maintenance or cleaning to reduce the risk of fire, electric shock, or damage to persons.

! CAUTION: The heater should not be operated with an accumulation of dust or dirt on or in the unit, as this can cause a build up of heat and eventual damage. For this reason the heater must be inspected regularly, depending upon conditions and at least at yearly intervals.

The outer surface can be wiped with a soft damp cloth.

! NOTE: Do not use scouring powder or furniture polish, as these can damage the surface.

Dust that collects within the unit can be removed from the outside using a vacuum cleaner.

Warranty

The Manufacturer warrants the convector heater and components of the enclosed product against any defect in material or workmanship for a period of **two years** from the date of purchase, with the exception of the elements which are warranted to be free from defect in material and workmanship for **ten years**. In full satisfaction of any claims under this Warranty the Manufacturer will repair or replace without charge, in its factory or in the field as it alone may decide, any parts which in its opinion are defective.

The Manufacturer shall not be responsible for any transportation or shipping costs in relation to such repair or replacement except as specifically assumed by it. Misuse of this product or repairs by persons other than the Manufacturer's authorized personnel without the Manufacturer's written approval, will void this Warranty.

This Warranty is in lieu of all other warranties or conditions whether expressed or implied including but not limited to those of merchantability or fitness for purpose and shall constitute the sole remedy of the Purchaser and the sole liability of the Manufacturer in respect of the sale of the product, whether in the nature of breach or breach of fundamental term, or of negligence or otherwise.

The Manufacturer shall not be liable for any special, indirect or consequential damages or for any damages resulting from removal or replacement of a convector heater subject to warranty claim without the Manufacturer's authorization.

Any claims under this Warranty must be submitted in writing to the Service Manager, Dimplex North America Ltd., 1367 Industrial Rd., Cambridge, Ontario N1R 7G8, Canada.



1367 Industrial Road • Cambridge ON Canada N1R 7G8

1-888-346-7539 • www.dimplex.com

In keeping with our policy of continuous product improvement, we reserve the right to make changes without notice.

© 2013 Dimplex North America Limited

Free Manuals Download Website

<http://myh66.com>

<http://usermanuals.us>

<http://www.somanuals.com>

<http://www.4manuals.cc>

<http://www.manual-lib.com>

<http://www.404manual.com>

<http://www.luxmanual.com>

<http://aubethermostatmanual.com>

Golf course search by state

<http://golfingnear.com>

Email search by domain

<http://emailbydomain.com>

Auto manuals search

<http://auto.somanuals.com>

TV manuals search

<http://tv.somanuals.com>