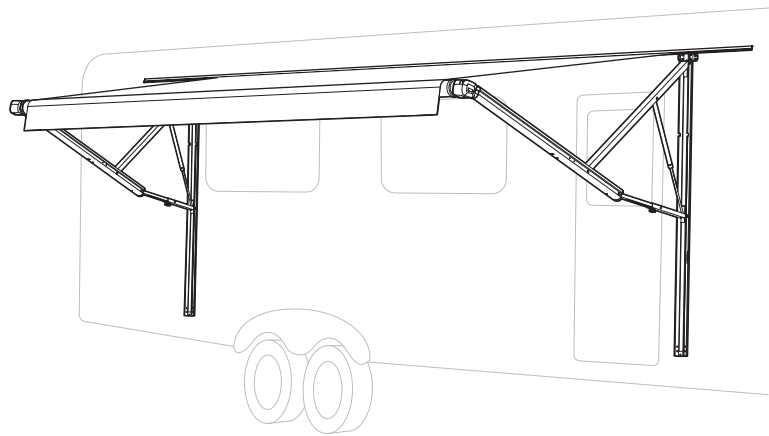


↗ DOMETIC

AWNINGS

POWER AWNING



9200 Model

EN

9200 Series Power Awning

Operating Instructions

Read these instructions carefully. These instructions MUST stay with this product.

CONTENTS

1	Explanation of symbols and safety instructions	3
2	General information	4
3	Intended use	5
4	Operation	6
5	Maintenance	10
6	Warranty Information	12

1 EXPLANATION OF SYMBOLS AND SAFETY INSTRUCTIONS

This manual has safety information and instructions to help you eliminate or reduce the risk of accidents and injuries.

1.1 Recognize safety information



This is the safety alert symbol. It is used to alert you to potential physical injury hazards. Obey all safety messages that follow this symbol to avoid possible injury or death.

1.2 Understand signal words

A signal word will identify safety messages and property damage messages, and will indicate the degree or level of hazard seriousness.



WARNING indicates a hazardous situation that, if **not** avoided, could result in death or serious injury.



CAUTION indicates a hazardous situation that, if **not** avoided, could result in minor or moderate injury.

NOTICE

is used to address practices **not** related to physical injury.



indicates additional information that is not related to physical injury.

1.3 Supplemental directives



Read and follow all safety information and instructions to avoid possible injury or death.

Read and understand these instructions before use / maintenance of this product.

Incorrect operation / maintenance of this product can lead to serious injury.

The installation **must** comply with all applicable local or national codes, including the latest edition of the following standards:

U.S.A.

- ANSI/NFPA70, National Electrical Code (NEC)
- ANSI/NFPA 1192, Recreational Vehicles Code

Canada

- CSA C22.1, Parts I & II, Canadian Electrical Code
- CSA Z240 RV Series, Recreational Vehicles

1.4 General safety messages



WARNING Failure to obey the following warnings could result in death or serious injury:

- This product must be installed and serviced by a qualified service technician.
- Do **not** modify this product in any way. Modification can be extremely hazardous.
- Frequently examine product for imbalance, sagging, or loose parts, signs of wear or damage to wiring (if applicable) and other critical parts. Do **not** use product if adjustments or repairs are necessary. Critical parts may include awning fabric, cables, arm assemblies, etc.
- Do **not** allow anyone (including children) with reduced physical, sensory or mental capabilities, or lack of experience and knowledge to use this product, unless they have been given supervision or instruction (concerning use of this product) by a person responsible for their safety.
- Do **not** allow children to play with product or with fixed controls (if applicable).
- Keep remote controls (if applicable) away from children.

Power Awning

- **IMPACT OR CRUSH HAZARD:**
 - Never leave an open awning unattended. Keep awning stowed (closed) when snow, heavy rain, wind, and severe weather conditions are expected. Failure to obey this warning could result in death or serious injury.
 - Do not allow water to pool, snow to accumulate, or heavy debris on awning fabric. Do not hang or place anything on awning. The awning will become unstable, and could bend or collapse. Failure to obey this warning could result in death or serious injury.
- **FIRE HAZARD.** Keep sources of heat and fire (barbecue grills, portable heater, etc.) away from awning. Failure to obey this warning could result in death or serious injury.

⚠ CAUTION PINCH HAZARD. Failure to obey these cautions could result in injury:

- Maintain a horizontal distance of at least 16" between fully open awning and any permanent object.
- Keep clear of openings around adjustable pitch arm assembly while adjusting awning pitch (slope). Adjustable pitch arm assembly (bottom arm) will telescope.

NOTICE Failure to follow these notices could result in damage to the awning or other property:

- This product is for use with 12 VDC only.
- Do **not** face awning toward permanent objects that may interfere with awning operation.

2 GENERAL INFORMATION

Awning Features

Adjustable pitch

Quiet operation

Easy manual override

Easy operation

Optional Parts*

LED Lights (rail or roller tube)

Veranda Room

Veranda Shade

Power Channel Hardware

*Available as accessory (not included).

3 INTENDED USE

This 9200 Series Power Awning (hereinafter referred to as "Awning") is designed and intended for use on a Recreational Vehicle (hereinafter referred to as "RV") during or after the RV manufacture. Use these instructions to ensure correct operation of the product.

The Product kit is available for order with various components, so while some graphics may show different components, they still illustrate the correct procedure. All components that were not originally ordered can be purchased as an add-on or upgrade.

The manufacturer accepts no liability for damage in the following cases:

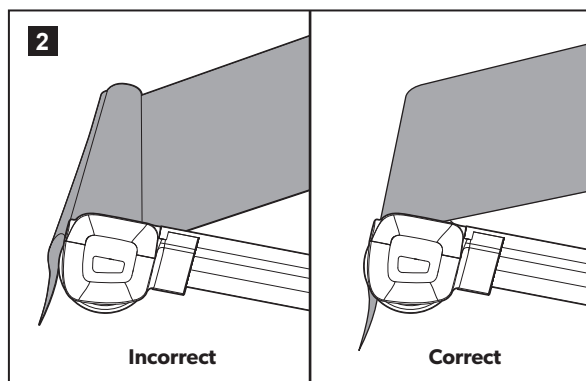
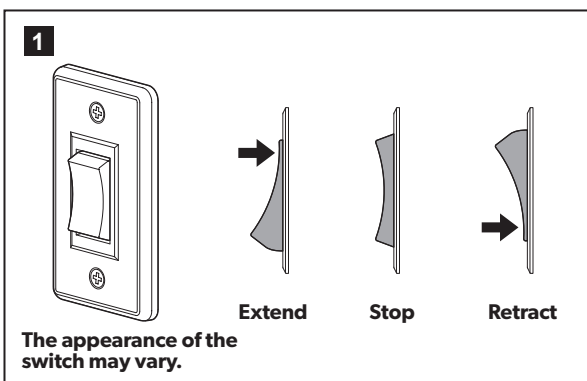
- Faulty assembly or connection.
- Damage to the product resulting from mechanical influences and excess voltage.
- Alterations to the product without express permission from the manufacturer.
- Use for purposes other than those described in the operating manual.

Dometic Corporation reserves the right to modify appearances and specifications without notice.

4 OPERATION

4.1 Opening the awning

⚠ WARNING IMPACT OR CRUSH HAZARD. Do **not** allow awning to remain in overextended position as this could trap heavy debris, or could cause water to pool or snow to accumulate on awning fabric. This weight will cause awning to become unstable, and bend or collapse. Failure to obey this warning could result in death or serious injury.



i The awning will automatically stop when the button is released.

➤ If the awning is overextended, retract the awning until the valance is in the correct position.

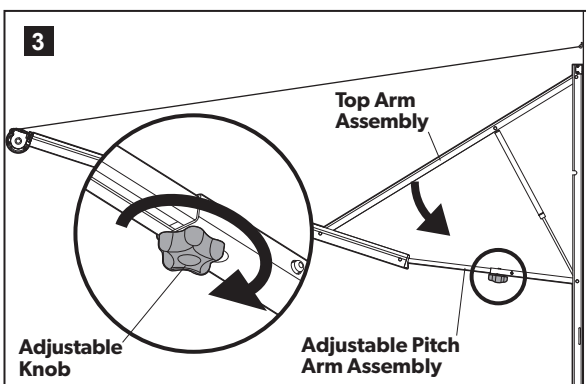
4.2 Adjusting the awning pitch (optional)

⚠ WARNING IMPACT OR CRUSH HAZARD. Always lower one side of hardware into water shed position when adjusting awning pitch. Otherwise, water could pool on awning fabric. Failure to obey this warning could result in death or serious injury.

⚠ CAUTION PINCH HAZARD. Keep clear of openings around adjustable pitch arm assembly while adjusting awning pitch (slope). Adjustable pitch arm assembly (bottom arm) will telescope. Failure to obey this caution could result in injury.

NOTICE Do **not** allow the corner of the entry door to contact the awning fabric. Otherwise, premature wear or tearing of the awning fabric could occur. Failure to obey this notice could result in damage to the awning or other property.

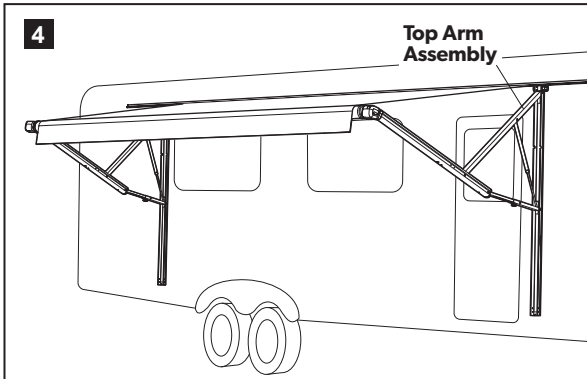
i When the awning is fully extended, the fabric roller tube assembly (FRTA) will be lower than the RV's awning rail. This pitch (slope) helps with water runoff. For a steeper pitch, lower the FRTA.



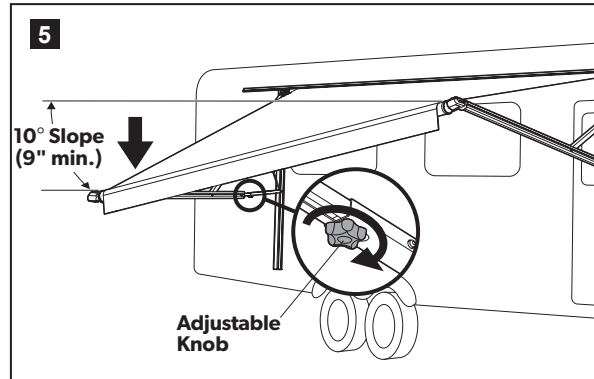
- After the awning is fully extended, loosen the knob on one of the adjustable pitch arm assemblies.
- Pull the top arm assembly down to lower the FRTA and set the pitch (slope).
- While holding the top arm assembly in place, tighten the knob.
- Repeat these steps for the opposite side.

4.3 Preparing the awning to shed water

⚠ WARNING IMPACT OR CRUSH HAZARD. **Never** disengage adjustable knob during windy conditions, or with water pooled or snow accumulated on awning fabric. This could cause the awning to move unpredictably, become unstable, and bend or collapse. Failure to obey this warning could result in death or serious injury.



- Verify that the top arm assembly nearest the entry door is fully extended, and that the knob is tightened.

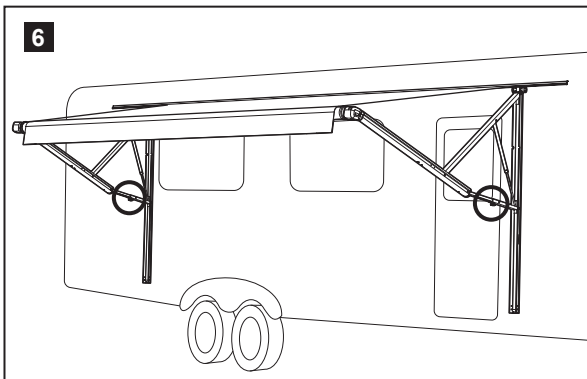


- Adjust the awning as shown, on the side farthest from the entry door.

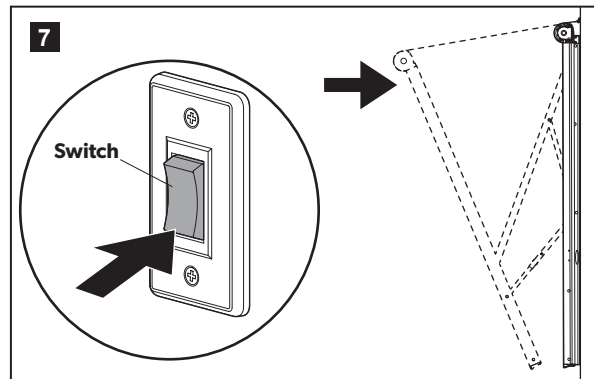
i The slope requirement is in addition to the slope from the RV's awning rail.

4.4 Closing the awning

⚠ WARNING IMPACT OR CRUSH HAZARD. Keep clear of arm assemblies while closing awning. Arm assemblies will fold against back channel. Failure to obey this warning could result in death or serious injury.



- Loosen the knobs on both sides to allow the awning to reset to its original position. Then lightly tighten the knobs.

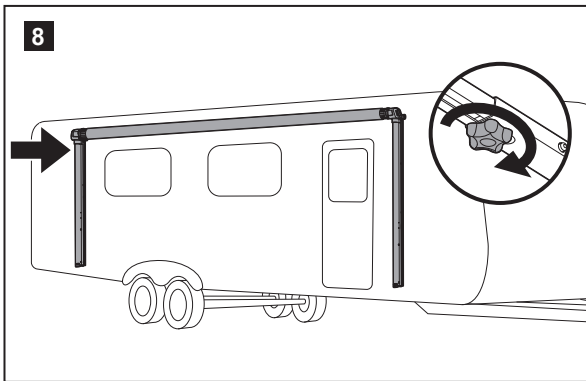


- Hold the switch until the awning is completely retracted. Release the switch.

4.5 Preparing the awning for travel

⚠ WARNING Failure to obey the following warnings could result in death or serious injury:

- IMPACT OR CRUSH HAZARD. Make sure ignition interlock is working correctly before traveling with RV or motorhome. If awning responds to switch with ignition in ON position, accidental operation during transit could occur. The awning must be disabled, then serviced by a qualified service technician. Failure to obey this warning could result in death or serious injury.
- IMPACT, CRUSH, OR PROJECTILE HAZARD. Do not attempt transport with an awning motor that has been damaged from an impact abuse. Otherwise, awning could extend quickly and unexpectedly, and become a projectile, during transit. If awning has been damaged, contact a licensed or certified technician for repair.

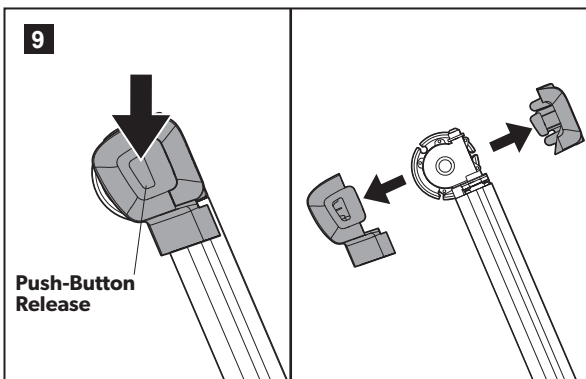


- Ensure that the awning is fully closed. Make sure to tighten the knobs.
- Verify that the LED light strip is turned off, if applicable.

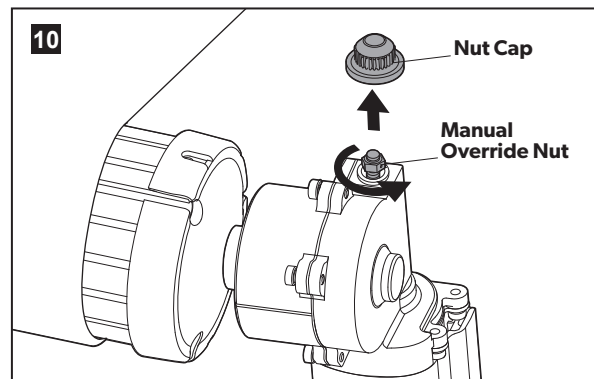
Motorhomes only:

- Test the ignition interlock system by turning the ignition to the ON position. Attempt to operate the awning.
 - If the awning does not respond, the ignition interlock is functioning properly.
 - If the awning operates, close the awning and disable it by disconnecting the power source to the awning. Have the ignition interlock repaired by a qualified service technician.

4.6 Closing the awning manually



- Press the push-button release and remove the RH cover.



- Remove the nut cap and turn the manual override nut using a 3/8" socket wrench or electric drill driver, until the awning is retracted.

i Do not over-retract the awning. Continually applying torque to a fully retracted awning could damage the motor. As a precaution, set the torque on the drill at the lowest setting that will move the awning. Note that clockwise rotation extends the awning, counterclockwise rotation retracts the awning.

- Contact a qualified service technician to repair the awning, if necessary.

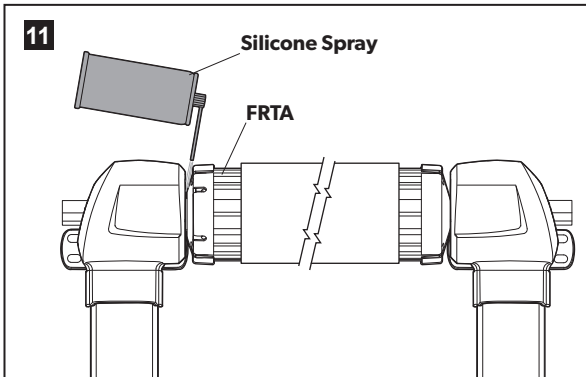
5 MAINTENANCE

⚠ WARNING ELECTRIC SHOCK HAZARD. Disconnect product from power supply (if applicable), and do **not** operate product when maintenance (such as window cleaning) is being carried out in the vicinity. Failure to obey this warning could result in death or serious injury.

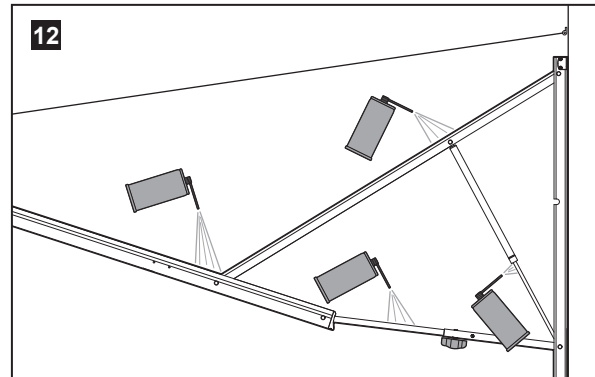
NOTICE Failure to obey the following notices could damage the awning or other property:

- Do **not** use insecticides or other sprays near the awning fabric. These could cause stains, and could adversely affect the fabric's ability to repel water.
- Do **not** expose the awning to adverse environmental conditions, corrosive agents, or other harmful conditions.
- Do **not** allow the corner of the entry door to contact the awning fabric. Otherwise, premature wear or tearing of awning fabric could occur.
- **Never** close the awning (for storage) when wet. The combination of moisture and dirt could result in mildew, discoloration, and stains. If it is necessary to roll up awning (temporarily) while it's wet, make sure you roll it out and let it dry (as soon as conditions allow) before rolling it up again.
- Do **not** allow dirt, leaves, or other debris to accumulate on the awning, which could cause abrasion and stains. Mildew could grow on dirt and organic debris, causing permanent discoloration, stains, and odors to the awning fabric.
- Do **not** use strong chemicals or abrasives to clean parts, as their protective surfaces will be damaged. Clean awning hardware (as needed) with a mild surface cleaner.
- Do **not** use silicone sprays near labels. Otherwise, the label's adhesive bond to awning surfaces could weaken.

5.1 Maintaining the hardware

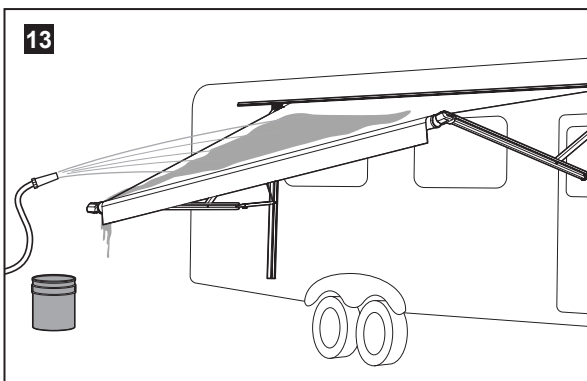


- Apply silicone spray lubricant as needed to the moving parts on the fabric roller tube assembly.



- Lubricate all pins and sliding surfaces of the arm assemblies with silicone spray, as needed.

5.2 Maintaining the fabric



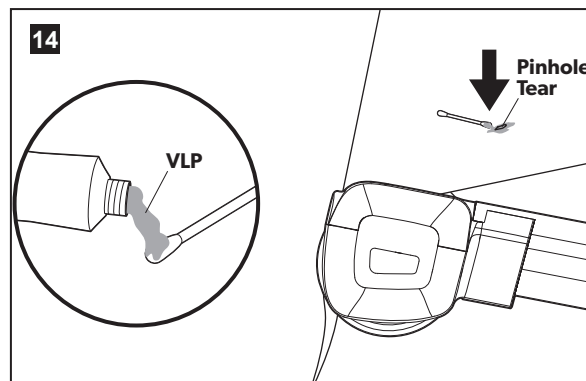
NOTICE Do **not** use abrasive or corrosive cleaners, mildew removers, or hard bristle brushes on the awning fabric. Failure to obey this notice could result in damage to the awning or other property.

i Vinyl awning fabric is durable and water resistant. Wrinkling is a normal characteristic, which may be more noticeable when the awning is retracted, and after prolonged periods of stowage (rolled up). Leave the awning open during warm weather to minimize wrinkling. A slight “travel line” may appear where the door roller (if installed) contacts the fabric. This is normal and does **not** affect the integrity of the fabric.

To clean the fabric:

- Open the awning.
- Mix 1/4 cup dish soap and 1/4 cup bleach with five gallons of fresh water.
- Liberally drench the fabric with cleaning solution.
- Close the awning and allow the cleaning solution to soak for five minutes.
- Open the awning and thoroughly hose off the top and bottom of the fabric with clean water. Repeat if necessary.
- Remove the solution COMPLETELY from the awning fabric. Bleach will degrade the fabric if it is not completely rinsed off.
- Make sure the fabric is dry before closing the awning.

5.3 Repairing the fabric



NOTICE **Never** close (roll up) awning when vinyl liquid patch (VLP) is wet. Otherwise, damage to other parts of the awning fabric (melting through layers) will occur. Failure to obey this notice could result in damage to the awning or other property.

- Use VLP to repair a pinhole, or if a spot of coating flakes off from the top layer of the vinyl fabric:
 - Apply a very small dab of VLP onto the tip of a cotton swab.
 - Gently roll the cotton swab around the pinhole. The VLP will melt the coating (on the fabric) and that will quickly fill in the pinhole and blend with all colored vinyls.
 - Make sure the VLP is dry before closing the awning.

i VLP is available from Dometic Corporation. Reference part number 3314216.000 when ordering.

6 Warranty Information

Refer to the sections below for information about warranty and warranty support in the US, Canada, and all other regions.

6.1 United States and Canada

LIMITED WARRANTY AVAILABLE AT WWW.DOMETIC.COM/WARRANTY.

IF YOU HAVE QUESTIONS, OR TO OBTAIN A COPY OF THE LIMITED WARRANTY FREE OF CHARGE, CONTACT:

DOMETIC CORPORATION
CUSTOMER SUPPORT CENTER
1120 NORTH MAIN STREET
ELKHART, INDIANA, USA 46514
1-800-544-4881 OPT 3

6.2 All Other Regions

The statutory warranty period applies. If the product is defective, please contact the manufacturer's branch in your region (see the back of the instruction manual for the addresses) or your retailer.

For repair and guarantee processing, please include the following documents when you send in the device:

- A copy of the receipt with purchasing date
- A reason for the claim or description of the fault

Mobile living made easy.



dometic.com

**YOUR LOCAL
DEALER**

dometic.com/dealer

**YOUR LOCAL
SUPPORT**

dometic.com/contact

**YOUR LOCAL
SALES OFFICE**

dometic.com/sales-offices

Free Manuals Download Website

<http://myh66.com>

<http://usermanuals.us>

<http://www.somanuals.com>

<http://www.4manuals.cc>

<http://www.manual-lib.com>

<http://www.404manual.com>

<http://www.luxmanual.com>

<http://aubethermostatmanual.com>

Golf course search by state

<http://golfingnear.com>

Email search by domain

<http://emailbydomain.com>

Auto manuals search

<http://auto.somanuals.com>

TV manuals search

<http://tv.somanuals.com>