

IMPORTANT: Read Before Using

IMPORTANT : Lire avant usage

IMPORTANTE: Leer antes de usar

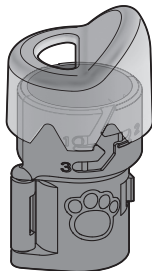


Operating/Safety Instructions
Consignes de sécurité/d'utilisation
Instrucciones de funcionamiento y seguridad

For English Version see page **2**

Version française voir page **17**

Versión en español ver la página **35**



DREMEL

AT01-PGA

Call Toll Free for Consumer Information
and Service Locations.

Pour obtenir des informations et les
adresses de nos centres de service après-
vente, appelez ce numéro gratuit.




Llame gratis para obtener información
para el consumidor y ubicaciones de
servicio.

1-800-4-DREMEL (1-800-437-3635)
www.dremel.com

DREMEL
P.O. Box 081126
Racine, WI 53408-1126

Safety Symbols

The definitions below describe the level of severity for each signal word. Please read the manual and pay attention to these symbols.

	This is the safety alert symbol. It is used to alert you to potential personal injury hazards. Obey all safety messages that follow this symbol to avoid possible injury or death.
	DANGER indicates a hazardous situation which, if not avoided, will result in death or serious injury.
	WARNING indicates a hazardous situation which, if not avoided, could result in death or serious injury.
	CAUTION, used with the safety alert symbol, indicates a hazardous situation which, if not avoided, will result in minor or moderate injury.

2

Safety Warnings

⚠ WARNING Read all safety warnings and all instructions in rotary tool manual and in this manual. Failure to follow the warnings and instructions may result in electric shock, fire and/or serious injury to a person or animal.

SAVE ALL WARNINGS AND INSTRUCTIONS FOR FUTURE REFERENCE

Keep away from water. Use extra caution when using rotary tool near a tub or pet washing area. Water entering a power tool will increase the risk of electric shock.

Use personal protective equipment. Always wear eye protection.

This product is intended only for grooming the toenails of a dog or cat. This product is not intended for use as a dental drill, in human or veterinary medical applications. Serious injury may result.

This attachment is only intended for use with Dremel rotary tool models 3000, 4000, 4300, 7300-PGT, 7700, 8100, or 8220. Use of this attachment with any other rotary tool may result in serious injury.

Safety Warnings

Use only sanding disc accessory SD60-PGA and EZ Lock™ mandrel EZ402 with this attachment. Use of any other accessory may result in serious injury.



Do not use attachment without all components installed according to operating instructions. Any other use is a misuse and could result in injury.

Maximum operating speed for pet grooming applications is 10,000/min. Use of higher operating speeds may cause heat buildup and injury to the pet. Refer to 'Operating Speeds' section for proper tool speed setting.

Keep pet hair away from spinning parts. Hair can entangle in the tool, causing injury to your pet. Refer to 'Pet Safety Tips' section for more information.

Symbols

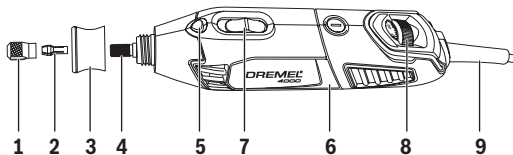
IMPORTANT: Some of the following symbols may be used on your product. Please study them and learn their meaning. Proper interpretation of these symbols will allow you to operate the product better and safer.

Symbol	Designation/Explanation
	Alerts user to read manual
	Alerts user to wear eye protection
.../min	Revolutions per minute (RPM)
n	Rated speed (maximum attainable speed)

Getting to know your Dremel® tool and accessories

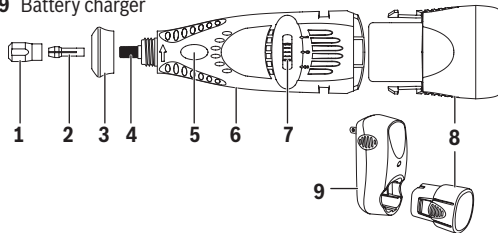
Corded rotary tool

- 1 Collet nut
- 2 Collet
- 3 Threaded nose cap
- 4 Output shaft
- 5 Shaft lock button
- 6 Rotary tool
- 7 On/Off Switch
- 8 Speed dial
- 9 Power cord



Cordless (battery-operated) rotary tool

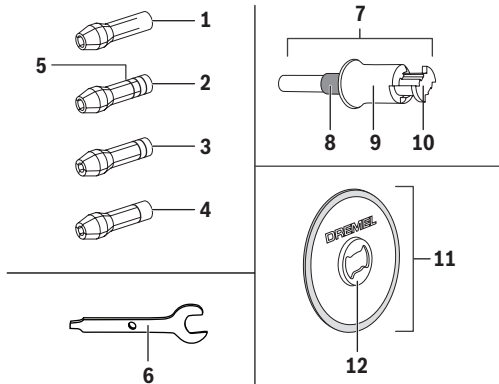
- 1 Collet nut
- 2 Collet
- 3 Threaded nose cap
- 4 Output shaft
- 5 Shaft lock button
- 6 Rotary tool
- 7 On/Off Switch and Speed dial
- 8 Battery pack
- 9 Battery charger



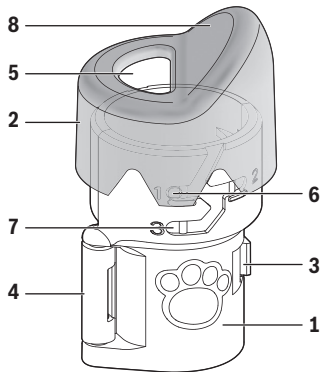
Getting to know your Dremel® tool and accessories

Rotary tool accessories

- 1** 1/8" collet 480 (no Identification rings)
- 2** 3/32" collet 481 (3 Identification rings)
- 3** 1/16" collet 482 (2 Identification rings)
- 4** 1/32" collet 483 (1 Identification ring)
- 5** Identification rings
- 6** Wrench
- 7** EZ Lock™ mandrel EZ402
- 8** Blue spacer
- 9** Spring-loaded sleeve
- 10** Bow tie interface
- 11** Sanding disc SD60-PGA
- 12** Bow tie interface



Getting to know your Dremel® tool and accessories



AT01-PGA Pet grooming attachment

- 1 Attachment housing
- 2 Clear cap
- 3 Clasp
- 4 Hinge
- 5 Sanding disc opening
- 6 Tab (part of clear cap)
- 7 Depth guide
- 8 Ramp

Assembly

⚠ WARNING Disconnect the tool from power source and ensure the rotary tool is “OFF” before making any assembly, adjustments or changing accessories. Such preventative measures reduce the risk of starting the tool accidentally.



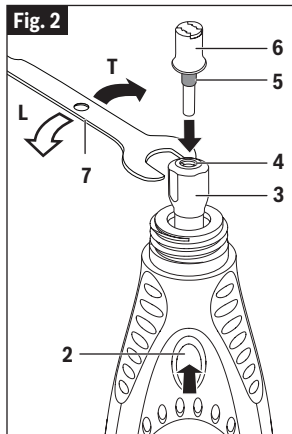
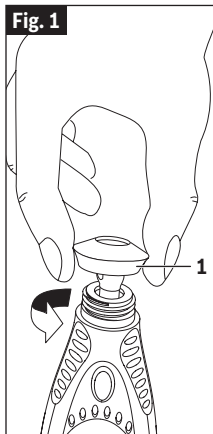
⚠ CAUTION Do not use Dremel chuck with this attachment. Use only 1/8” collet and collet nut. Use of the Dremel chuck may result in damage to the attachment.

To load mandrel:

1. Unscrew and remove the nose cap **1** from the tool by twisting it counter-clockwise until it comes off the tool (Fig. 1).
2. To loosen the collet nut, first press shaft lock button **2** and rotate the collet nut **3** by hand until the lock engages the shaft preventing further rotation (Fig. 2).

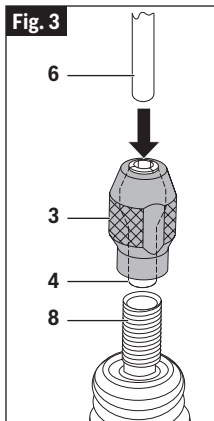
⚠ CAUTION Do not engage shaft lock while the tool is running.

3. With the shaft lock **2** engaged, loosen the collet nut **3** (turn



Assembly

Fig. 3



- counterclockwise **L**). Use the wrench **7** if necessary. The collet nut must be loosely threaded on when inserting an accessory (Fig 2).
4. Insert EZ Lock™ mandrel **6** into collet **4** (Fig. 2).

CAUTION Make sure the blue spacer **5** on the mandrel bottoms out on the collet nut, setting the mandrel to the correct depth. Failure to set the mandrel to the correct depth can result in damage to the attachment.

5. With the shaft lock **2** engaged, tighten the collet nut **3** securely (turn clockwise **T**) with wrench **7** (Fig. 2).

Note: If the EZ Lock™ mandrel does not fit into the collet, it is possible that the collet is stuck within the collet nut. If this happens, remove the collet nut from the tool by continuing to twist it coun-

terclockwise. If the collet does not separate from the collet nut when removed from the tool, push the shank of the EZ Lock™ mandrel **6** into the hole in the collet nut **3**. This should cause the collet **4** to pop out of the collet nut **3**. Re-assemble by placing the collet **4** into the output shaft **8** and twisting the collet nut **3** clockwise over the collet to tighten it back onto the output shaft **8** (Fig. 3). Then proceed with installing the EZ Lock™ mandrel according to the instructions.

To load sanding disc:

1. Pull spring-loaded sleeve **9** DOWN towards tool with one hand and hold. You can brace the tool on the body or workbench for extra leverage (Fig. 4).
2. With the other hand, align bow tie interface **10** on mandrel with metal bow tie interface **11** on bottom of sanding disc **12** (Fig. 4).

Assembly

Fig. 4

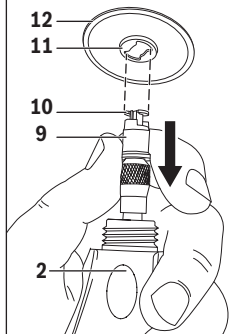
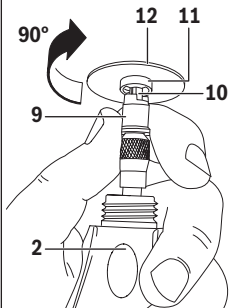


Fig. 5



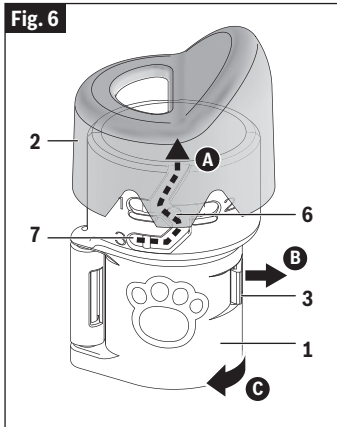
3. Place sanding disc on the mandrel to a point just below the bow tie on the mandrel **10** and twist 90 degrees until the bow tie interface **11** on the sanding disc **12** aligns with the sleeve **9**. Release sleeve **9**. Sanding disc **12** should lock in place (Fig. 5).

⚠ WARNING Incorrect seating of sanding disc on mandrel may lead to personal injury or property damage. To check for proper seating, hold shaft lock button **2** and twist the sanding disc **12**. The sanding disc **12** will not be able to rotate on mandrel.

To unload sanding disc:

1. Pull spring-loaded sleeve **9** DOWN toward tool with one hand (Fig. 5).
2. Hold sleeve **9** down while twisting sanding disc **12** 90 degrees (Fig. 5).
3. Remove sanding disc **12** (Fig. 5).

Assembly



To attach nail guard attachment:

Note: Make sure that the mandrel and the sanding disc are mounted properly before mounting the attachment.

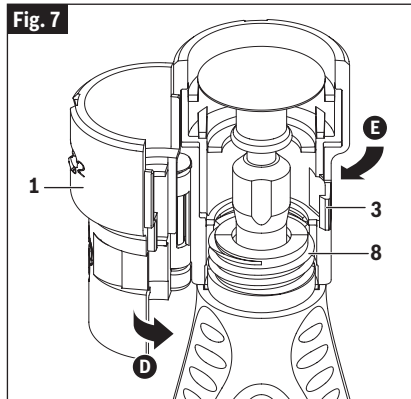
- A.** Detach the clear cap **2** from the attachment by running the small knobs **6** on the inside of the clear cap up along the height adjustment guide **7** until they reach the guided opening (Fig. 6).
- B.** Unlock the clasp **3**.
- C.** Open the attachment **1** (Fig. 6).
- D.** Position the attachment **1** around the threaded nose of the tool **8** and close the attachment together until the clasp **3** is fully engaged (Fig. 7).
- E.** Turn the whole attachment **1** clockwise to screw it into place on the threaded nose **8**. Make sure that it is securely tightened so that it will not shift positions during use (Fig. 7).
- F.** Re-attach the clear cap **2** (simply perform step **A** in reverse order).

Assembly

G. Find the correct height adjustment guide position for your Dremel tool model in the chart below, and turn the clear cap so that the small knobs are all the way to the end of corresponding slot on the attachment. You will hear the cap click into place when fully installed. Do not force the clear cap out of the guides.

Height Position Chart

Height Adjustment Guide Position	Compatible Dremel Models
1	8100
2	3000, 4000, 4300, 8220
3	7300-PGT, 7700



Operating Instructions

⚠ WARNING Observe all provided warnings and safety instructions in tool manual and attachment manual.

Why Use a Dremel Rotary Tool to Groom Pet Nails?

Scissors and guillotine-type clippers apply pressure and pinch the nail, which can be uncomfortable for pet toes and feet. Clipping toenails also increases the likelihood of cutting the internal blood supply to the nail, called the quick; grinding is more gradual and controlled. If the quick is nicked using a rotary tool, the cut is usually smaller and will heal quicker than a cut made with a nail clipper.

Before you start

Grooming a pet's nails for the first time can be a worrisome experience for both the pet and pet owner. Rest assured that nail grooming does not have to be a stressful experience. By starting early and considering grooming to be part of your pet's training, your pet will grow used to the experience.

First, train your pet to feel comfortable with their paws being touched and handled before exposing them to the rotary tool. One way to do this is to massage their legs, paws, and individual toes for a few minutes at least once a day. Afterwards, create a positive association with this experience by rewarding your pet with its favorite snack.

Next, help your pet grow gradually accustomed to the rotary tool. Let your pet sniff the tool while it is turned off. Then, while keeping the tool in your hand, let your pet listen to the sound the tool makes when it is turned on. Ideally, have your pet sit or lay on its side while the tool is in your hand and running. Gradually work up to having your pet's toenails touch the rotating sanding disc for less than a second. Do not grind the nails yet; simply let your pet become familiar with the tool. Throughout the acclimation process, continue to praise your pet and reward good behavior with a snack. This process may take a couple of days or weeks. Before long, both you and your pet will be able to relax and even enjoy the grooming time that you share together.

Operating Instructions

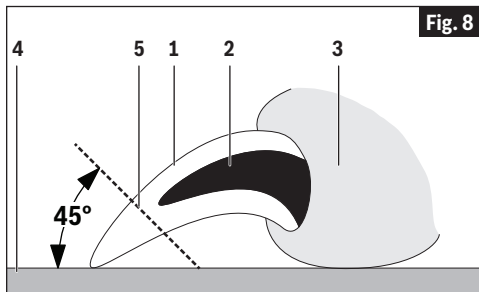


Fig. 8

Nail Anatomy

- 1 Nail / Claw
- 2 Quick
- 3 Paw
- 4 Floor
- 5 Trim line

Nail Anatomy

The nails/claws containing quick vessels described in this section are relevant to several types of pets, including dogs and cats.

Before trimming your pet's nails, you will need to identify the quick. The diagram (Fig. 8) shows the basic anatomy of a pet's toenail. The outer nail is hard and has no feeling because it has no nerve endings. The core of the nail is the quick. It is made up of tiny blood vessels and nerve endings and is very sensitive. The quick is a vein that "feeds" the toenail. Should you cut the quick while trimming a nail, the nail will start to bleed.

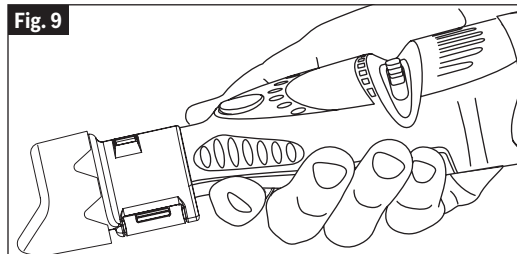
Light colored nails are often transparent enough to allow you to see the quick's pink core. Dark colored nails may not allow you to see where the quick is located. Pets may have both light and dark colored nails that allow you to estimate the length of the quick.

The diagram also shows an estimate of the proper angle at which to trim a pet's nails. A rule of thumb for the proper angle is 45 degrees upwards from the bottom of the paw. The proper angle may vary according to the pet owner's wishes or the pet's unique anatomy. Trim nails so that they almost touch the ground when your pet is walking.

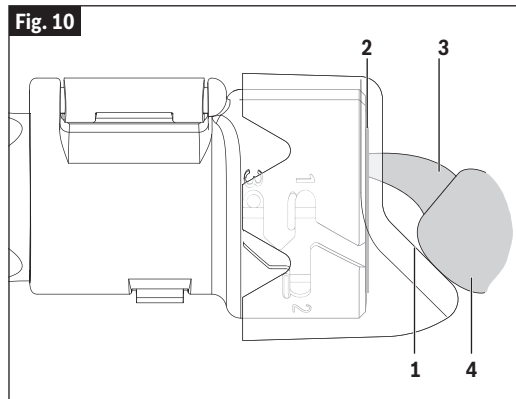
Operating Instructions

The Nail Grooming Process

⚠ CAUTION Use only “golf grip” or “hand grip” method of holding the tool. Never hold the tool by the attachment. Holding the tool by the attachment could cause it to unexpectedly shift, causing loss of control (Fig. 9).



Place the pet's paw **4** on the ramp **1** so that the nail **3** is close to - but not touching - the sanding disc **2** (Fig. 10).



Operating Instructions

Set the speed of your rotary tool to match the 'Operating Speeds' chart. Support the toe and nail in one hand while using the rotary tool in the other hand. This is more comfortable for your pet as it lessens vibration on the paw. Pushing gently on the bottom of the paw's pad extends the nail slightly for easier grooming.

It is important to let the speed of the rotary tool do the work; never apply pressure to the toenail with the spinning sanding disc. Pressure may cause the nail to grow too hot, resulting in discomfort for your pet. The rotary tool's spinning sanding disc should not be kept against the nail longer than three seconds at a time. Instead of focusing on completing one nail at a time, it is recommended to briefly trim each nail on one paw, and then the other, in several passes. This allows time for the nails to cool. You may repeat this process as needed. Trim nails so that they almost touch the ground when your pet is walking.

Operating Speeds

Refer to your power tool manual for more information on how to change tool speed.

Tool Model	Speed Setting	Approximate RPM
3000	2	5,000-10,000
4000	5-10	5,000-10,000
4300	5-10	5,000-10,000
7300-PGT	LO (1)	6,500
7700	LO (1)	10,000
8100	2	5,000
8220	5-10	5,000-10,000



Operating Instructions

Pet Safety Tips

Some pets may become nervous in the presence of the tool so it is best to secure your pet. The operator will need both hands to groom the nails so it may be helpful to have another person assist in restraining your pet.

If hair is accidentally caught in the rotary tool, immediately turn off the tool and untangle the hair from the tool. For pets with particularly long hair, use an old sock to cover the toe, foot, and leg of the pet and isolate the nail. Push the nail out through a small opening at the tip of the sock to groom the nail. Keep styptic powder on hand in case of bleeding. Styptic powder is available at most pet supplies stores. Follow the directions on the packaging for proper use instructions.



Cleaning the Pet Grooming Attachment

Remove the pet grooming attachment from the rotary tool as needed to clean out any nail dust or debris. Wash only the attachment with warm water and dry thoroughly with a clean cloth before reinstalling on rotary tool.



Symboles relatifs à la sécurité

Les définitions ci-dessous décrivent le niveau de gravité pour chaque terme signalant un danger. Veuillez lire le mode d'emploi et lire la signification de ces symboles.

	C'est le symbole d'alerte relatif à la sécurité. Il est utilisé pour vous avertir de l'existence possible d'un danger de lésion corporelle. Obéissez à tous les messages relatifs à la sécurité qui suivent ce symbole pour éviter tout risque de blessure ou même de mort.
	DANGER indique une situation dangereuse qui, si elle n'est pas évitée, causera la mort d'une personne ou une blessure grave.
	AVERTISSEMENT indique une situation dangereuse qui, si elle n'est pas évitée, pourrait causer la mort d'une personne ou une blessure grave.
	MISE EN GARDE, conjointement avec le symbole d'alerte en liaison avec la sécurité, indique une situation dangereuse qui, si elle n'est pas évitée, causera une blessure légère ou modérée.

Avertissements relatifs à la sécurité

⚠ AVERTISSEMENT Lisez tous les avertissements relatifs à la sécurité et toutes les instructions dans le mode d'emploi de l'outil rotatif et dans ce mode d'emploi. La non-observation des avertissements et des instructions pourrait causer un choc électrique, un incendie et/ou des blessures graves à une personne ou un animal.

CONSERVEZ TOUS LES AVERTISSEMENTS ET TOUTES LES INSTRUCTIONS POUR RÉFÉRENCE FUTURE

Maintenir à distance de l'eau. Faites particulièrement attention lorsque vous utilisez un outil rotatif près d'une baignoire ou d'un endroit où vous pouvez laver un animal de compagnie. La pénétration d'eau dans un outil électrique augmentera le risque de choc électrique.

Utilisez des équipements de protection personnelle. Portez toujours des équipements de protection des yeux.

Ce produit n'est conçu que pour les soins des ongles des pattes d'un chien ou d'un chat. Ce produit n'a pas été conçu pour une utilisation comme foret dentaire ou pour d'autres applications médicales ou vétérinaires. Cela risquerait de causer des blessures graves.

Cet accessoire n'est conçu que pour emploi avec des outils rotatifs Dremel modèles 3000, 4000, 4300, 7300-PGT, 7700, 8100 ou 8220. L'utilisation de cet accessoire avec tout autre outil rotatif pourrait causer de graves blessures.

N'utilisez que l'accessoire de disque de ponçage SD60-PGA et le mandrin EZ Lock™ EZ402 avec ce produit. L'utilisation de tout autre accessoire pourrait causer de graves blessures.

N'utilisez pas cet accessoire sans que tous les composants n'aient été installés conformément au mode d'emploi. Toute autre utilisation serait inappropriée et pourrait entraîner des blessures.



La vitesse de fonctionnement maximum pour les applications concernant le toilettage des animaux de compagnie est de 10 000 tr/min. L'utilisation de ce dispositif à des vitesses de fonctionnement plus élevées pourrait causer une accumulation de chaleur et des blessures aux animaux. Référez-vous à la section consacrée aux vitesses de fonctionnement pour trouver le réglage de vitesse approprié pour l'outil.

Avertissements relatifs à la sécurité

Assurez-vous qu'il n'y a pas de poils d'animaux sur les pièces en rotation. Les poils risqueraient de se coincer dans l'outil et de causer des blessures à votre animal. Référez-vous à la section « Conseils de sécurité pour les animaux de compagnie » pour plus d'informations.

Symboles

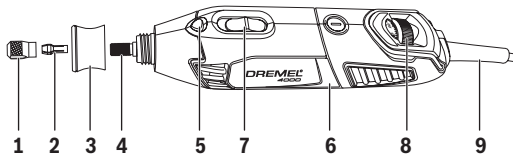
IMPORTANT : Certains des symboles suivants peuvent être utilisés sur votre produit. Veuillez les étudier et apprendre leur signification. L'interprétation correcte de ces symboles vous aidera à mieux utiliser le produit et à vous en servir plus efficacement et en toute sécurité.

Symbole	Désignation / Explication
	Alerte l'utilisateur pour lire le mode d'emploi
	Alerte l'utilisateur pour porter des lunettes de sécurité
.../min	Tours/minute (tr/min)
n	Vitesse nominale (vitesse maximum possible)

Familiarisez-vous avec votre outil Dremel® et ses accessoires

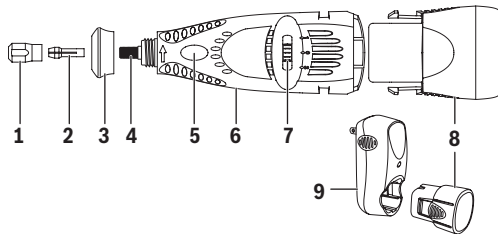
Outil rotatif câblé

- 1 Écrou de fixation de la douille
- 2 Douille
- 3 Bec de fixation fileté
- 4 Arbre de sortie
- 5 Bouton de verrouillage de l'arbre
- 6 Outil rotatif
- 7 Interrupteur marche/arrêt (on/off)
- 8 Cadran de réglage de la vitesse
- 9 Cordon d'alimentation



Outil rotatif sans fil (alimenté par pile)

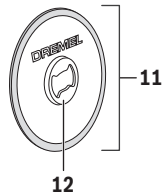
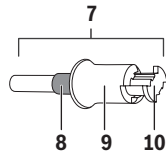
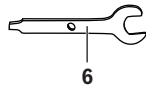
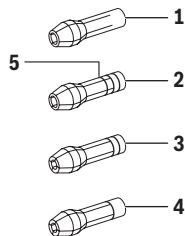
- 1 Écrou de fixation de la douille
- 2 Douille
- 3 Bec de fixation fileté
- 4 Arbre de sortie
- 5 Bouton de verrouillage de l'arbre
- 6 Outil rotatif
- 7 Interrupteur marche/arrêt (on/off) et cadran de réglage de la vitesse
- 8 Bloc-piles
- 9 Chargeur de piles



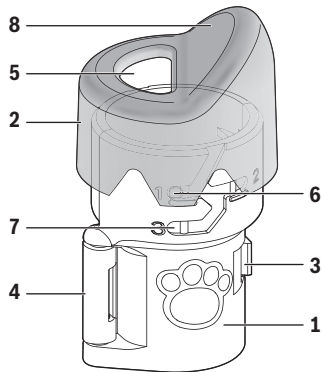
Familiarisez-vous avec votre outil Dremel® et ses accessoires

Accessoires de l'outil rotatif

- 1** Douille 480 de 1/8 po (pas d'anneaux d'identification)
- 2** Douille 481 de 3/32 po (3 anneaux d'identification)
- 3** Douille 482 de 1/16 po (2 anneaux d'identification)
- 4** Douille 483 de 1/32 po (1 anneau d'identification)
- 5** Anneaux d'identification
- 6** Clé
- 7** Mandrin EZ Lock™ EZ402
- 8** Entretoise bleue
- 9** Manchon à ressort
- 10** Interface à nœud papillon
- 11** Disque de ponçage SD60-PGA
- 12** Interface à nœud papillon



Familiarisez-vous avec votre outil Dremel® et ses accessoires



Accessoire de soins pour les animaux de compagnie AT01-PGA

- 1 Boîtier de l'accessoire
- 2 Capuchon transparent
- 3 Fermeur
- 4 Charnière
- 5 Ouverture du disque de ponçage
- 6 Languette (faisant partie du capuchon transparent)
- 7 Guide de profondeur
- 8 Rampe

Assemblage

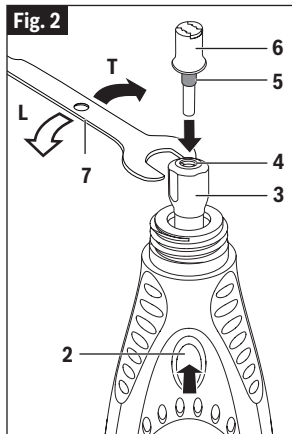
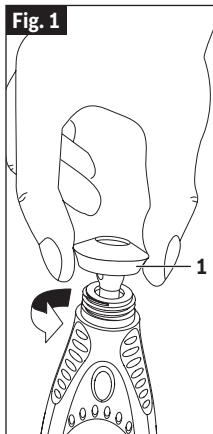
⚠ AVERTISSEMENT Débranchez toujours l'outil de la prise de courant et assurez-vous que l'outil rotatif est en position « OFF » (Arrêt) avant de procéder à un assemblage, à des réglages ou à des changements d'accessoires. De telles mesures de sécurité préventives réduisent le risque de démarrage accidentel de l'outil.



⚠ MISE EN GARDE N'utilisez pas un mandrin Dremel avec cet accessoire. Utilisez seulement une douille de 1/8 po et un écrou de fixation de douille correspondant. L'utilisation du mandrin Dremel pourrait endommager l'accessoire.

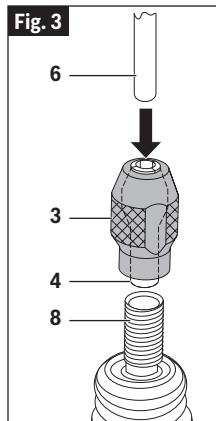
Pour charger le mandrin :

1. Dévissez le bec de fixation **1** et détachez-le de l'outil en le faisant tourner dans le sens contraire des aiguilles d'une montre jusqu'à ce qu'il se sépare de l'outil (Fig. 1).
2. Pour desserrer l'écrou de fixation de la douille, commencez par appuyer sur le bouton de verrouillage de l'arbre **2**, puis



Assemblage

Fig. 3



faites tourner l'écrou de fixation de la douille **3** à la main jusqu'à ce que le verrou s'engage dans l'arbre, ce qui empêchera toute continuation de la rotation (Fig. 2).

⚠ MISE EN GARDE N'engagez pas le verrou de l'arbre alors que l'outil est en train de tourner.

3. Pendant que le verrou de l'arbre **2** est engagé, desserrez l'écrou de fixation de la douille **3** (tournez dans le sens contraire des aiguilles d'une montre **L**). Utilisez la clé **7** si nécessaire. L'écrou de fixation de la douille doit être légèrement engagé lors de l'insertion d'un accessoire (Fig. 2).

4. Insérez le mandrin EZ Lock™ **6** dans la douille **4** (Fig. 2).

⚠ MISE EN GARDE Assurez-vous que l'entretoise bleue **5** qui repose sur le mandrin ne descend pas plus

bas que l'écrou de fixation de la douille, car ceci réglera le mandrin à la profondeur appropriée. Si vous ne réglez pas le mandrin à la profondeur appropriée, cela risquerait d'endommager l'accessoire.

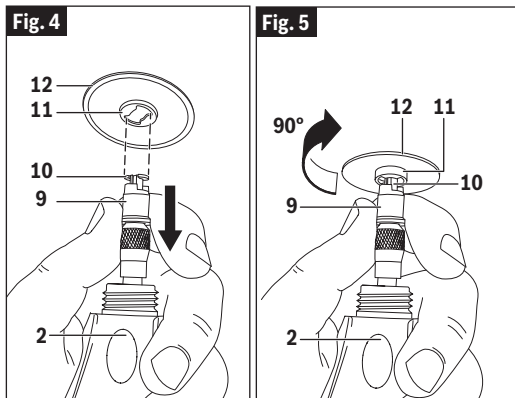
5. Une fois le verrou de l'arbre **2** engagé, serrez à fond l'écrou de fixation de la douille **3** (en tournant dans le sens des aiguilles d'une montre **T**) au moyen de la clé **7** (Fig. 2).

Remarque : Si le mandrin EZ Lock™ ne tient pas dans la douille, il est possible que la douille soit coincée à l'intérieur de l'écrou de fixation de la douille. Si tel est le cas, retirez l'écrou de fixation de la douille de l'outil en continuant à le faire tourner dans le sens contraire des aiguilles d'une montre. Si la douille ne se sépare pas de l'écrou de fixation de la douille quand elle est retirée de l'outil, poussez la tige du mandrin EZ Lock™ **6** dans le trou de l'écrou de fixation de la douille **3**.

Assemblage

Ceci devrait causer l'éjection de la douille **4** de l'écrou de fixation **3**. Effectuez le réassemblage en plaçant la douille **4** sur l'arbre

de sortie **8** et en faisant tourner l'écrou de fixation de la douille **3** dans le sens des aiguilles d'une montre au-dessus de la douille afin de le serrer à nouveau sur l'arbre de sortie **8** (Fig. 3). Puis passez à l'installation du mandrin EZ Lock™ en suivant les instructions.



Pour charger un disque de ponçage :

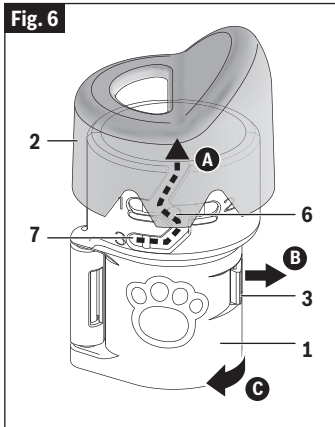
1. Tirez le manchon à ressort **9** VERS LE BAS, en direction de l'outil, d'une main et tenez-le dans cette position. Vous pouvez caler l'outil sur le corps ou sur la table de travail pour augmenter la force disponible (Fig. 4).
2. De l'autre main, alignez l'interface à nœud papillon **10** sur le mandrin de façon que l'interface à nœud papillon en métal **11** soit au fond du disque de ponçage **12** (Fig. 4).
3. Placez le disque de ponçage sur le mandrin jusqu'à un point situé juste en dessous du nœud papillon sur le mandrin **10** et tournez sur 90 degrés jusqu'à ce que l'interface à nœud papillon **11** sur le disque de ponçage **12** soit aligné sur le manchon **9**. Relâchez le manchon **9**. Le disque de ponçage **12** devrait alors se verrouiller en place (Fig. 5).

Assemblage

⚠ AVERTISSEMENT Un placement incorrect du disque de ponçage dans le mandrin pourrait causer des blessures corporelles ou des dommages aux biens. Pour vous assurer qu'il repose bien à l'endroit correct, tenez le bouton de verrouillage de l'arbre **2** et faites tourner le disque de ponçage **12**. Le disque de ponçage ne pourra alors pas tourner sur le mandrin.

Pour détacher un disque de ponçage :

1. Tirez le manchon à ressort **9** VERS LE BAS, en direction de l'outil, d'une main (Fig. 5).
2. Tenez le manchon **9** enfoncé tout en faisant tourner le disque de ponçage **12** sur 90 degrés (Fig. 5).
3. Détachez le disque de ponçage **12** (Fig. 5).

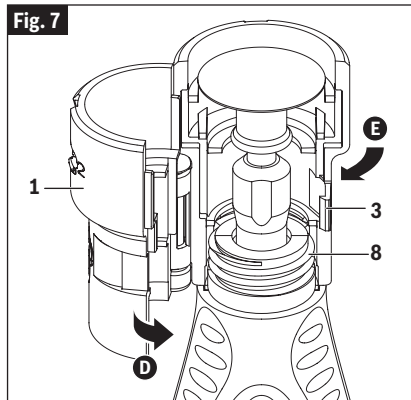


Assemblage

Pour attacher le dispositif de protection des ongles :

Remarque : Assurez-vous que le mandrin et le disque de ponçage sont assemblés correctement avant de monter l'accessoire.

- A.** Détachez le capuchon transparent **2** de l'accessoire en poussant les petits boutons **6** à l'intérieur du capuchon transparent vers le haut, le long du guide de réglage de la hauteur **7**, jusqu'à ce qu'ils atteignent l'ouverture guidée (Fig. 6).
- B.** Déverrouillez le fermoir **3**.
- C.** Ouvrez l'accessoire **1** (Fig. 6).
- D.** Positionnez l'accessoire **1** autour du bec fileté de l'outil **8** et fermez l'accessoire jusqu'à ce que le fermoir **3** soit totalement engagé (Fig. 7).
- E.** Faites tourner tout l'accessoire **1** dans le sens des aiguilles d'une montre pour le visser en place sur le bec fileté **8**. Assurez-vous qu'il est bien sécurisé de telle façon qu'il ne change pas de position pendant son utilisation (Fig. 7).
- F.** Rattachez le capuchon transparent **2** (répétez simplement la procédure de l'étape **A** dans l'ordre inverse).



Assemblage

G. Déterminez la position correcte du guide de réglage de la hauteur pour votre modèle d'outil Dremel dans le tableau ci-dessous, et faites tourner le capuchon transparent de telle manière que les petits boutons soient tout à fait au fond de la fente correspondante sur l'accessoire. Vous entendrez un déclic indiquant que le capuchon a été installé dans la position appropriée. Ne forcez pas le capuchon transparent dans une position à l'extérieur des guides.

Tableau des positions pour le réglage de la hauteur

Position du guide de réglage de la hauteur	Modèles Dremel compatibles
1	8100
2	3000, 4000, 4300, 8220
3	7300-PGT, 7700

Instructions pour l'utilisation

⚠ AVERTISSEMENT Observez tous les avertissements et toutes les consignes de sécurité figurant dans le mode d'emploi de l'outil et le mode d'emploi de l'accessoire.

Pourquoi utiliser un outil rotatif Dremel pour les soins des ongles des animaux de compagnie ?

Les ciseaux et les tondeuses de type guillotine font pression et pincement l'ongle, ce qui peut être inconfortable pour les doigts et les pattes des animaux de compagnie. Le cisaillement des ongles des pattes augmente également le risque de coupure de l'alimentation interne en sang de l'ongle, dans ce que l'on appelle la partie rose ; le ponçage est plus progressif et contrôlé. En cas de coupure accidentelle de la partie rose par un outil rotatif, la plaie est habituellement plus petite et se cicatrisera plus vite qu'en cas de coupure causée par un coupe-ongles.

Avant de commencer

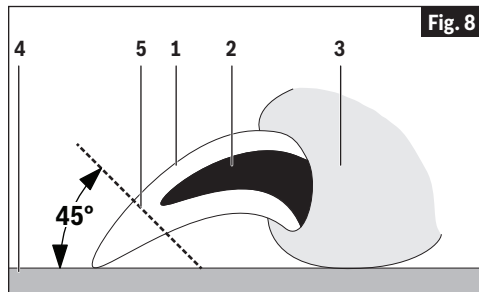
Les soins des ongles des animaux de compagnie pour la première fois peuvent être une expérience inquiétante pour l'animal aussi

bien que pour son maître. Mais ne vous inquiétez pas. Les soins des ongles des animaux ne doivent pas obligatoirement être une expérience stressante. Votre animal de compagnie s'habitue à cette expérience si vous commencez à l'y exposer à un très jeune âge et si vous l'incorporez à son dressage.

En premier lieu, apprenez à votre animal de compagnie à ne plus avoir peur quand vous touchez et manipulez les extrémités de ses pattes avant de l'exposer à l'outil rotatif. Une façon de faire ceci consiste à masser ses jambes, ses pattes et ses doigts pendant quelques minutes au moins une fois par jour. Ensuite, créez une association positive avec cette expérience. Pour cela, récompensez votre animal en lui donnant un peu de sa nourriture préférée.

Puis aidez-le à s'habituer progressivement à l'outil rotatif. Laissez votre animal de compagnie renifler l'outil quand il est hors tension. Ensuite, tout en continuant à tenir l'outil dans votre main, laissez votre animal de compagnie écouter le bruit que fait l'outil quand il est mis en marche. Dans l'idéal, faites asseoir votre animal ou couchez-le sur son flanc pendant que l'outil est

Instructions pour l'utilisation



Anatomie des ongles

- 1 Ongle / griffe
- 2 Veine de la partie rose
- 3 Patte
- 4 Sol
- 5 Ligne de coupe

30

dans votre main en train de fonctionner. Avancez progressivement votre animal de compagnie jusqu'à ce que ses ongles touchent le disque de ponçage en rotation pendant moins d'une seconde. Ne travaillez pas encore sur les ongles ; laissez simplement votre animal de compagnie se familiariser avec l'outil. Tout au long de ce processus d'acclimatation, continuez à féliciter votre animal et à récompenser son bon comportement en lui donnant un peu de sa nourriture préférée. Ce processus peut prendre plusieurs jours – ou même semaines. Il ne faudra pas beaucoup de temps pour que votre animal de compagnie et vous-même puissiez vous détendre et même apprécier le temps que vous passez ensemble pour le toilettage.

Anatomie des ongles

La partie rose des ongles/griffes contenant des vaisseaux qui est décrite dans cette section existe chez différents types d'animaux de compagnie, y compris les chiens et les chats.

Avant de commencer à couper les ongles de votre animal de compagnie, vous devrez identifier la partie rose. Le schéma (Fig. 8) montre l'anatomie basique de l'ongle d'un animal de compagnie. La partie extérieure de l'ongle est dure et n'est pas sensible parce qu'elle n'a

Instructions pour l'utilisation

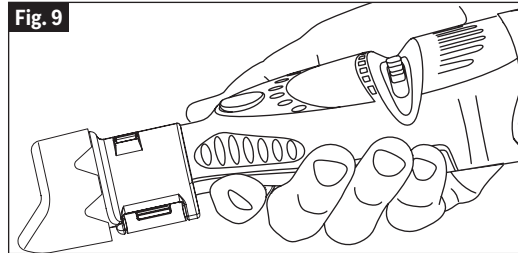
pas de terminaison nerveuse. La partie intérieure de l'ongle est la partie rose. Elle comprend de minuscules vaisseaux sanguins et des terminaisons nerveuses, et elle est très sensible. La partie rose est en fait une veine qui « alimente » l'ongle en sang. Si vous coupez accidentellement la partie rose pendant que vous êtes en train de couper un ongle, cet ongle commencera à saigner.

Les ongles de couleur claire sont souvent assez transparents pour vous permettre de voir la partie intérieure rose. Les ongles de couleur foncée ne vous permettront peut-être pas de voir où se trouve la partie rose. Les animaux de compagnie peuvent avoir à la fois des ongles de couleur claire et de couleur foncée vous permettant d'estimer la longueur de la veine de la partie rose.

Le schéma montre une estimation de l'angle correct pour couper les ongles d'un animal de compagnie. Une règle de base pour l'angle approprié est de 45 degrés vers le haut à partir du bas de la patte. L'angle approprié peut varier en fonction des souhaits du propriétaire de l'animal ou de l'anatomie unique de l'animal. Coupez les ongles afin qu'ils touchent presque le sol lorsque votre animal de compagnie est en train de marcher.

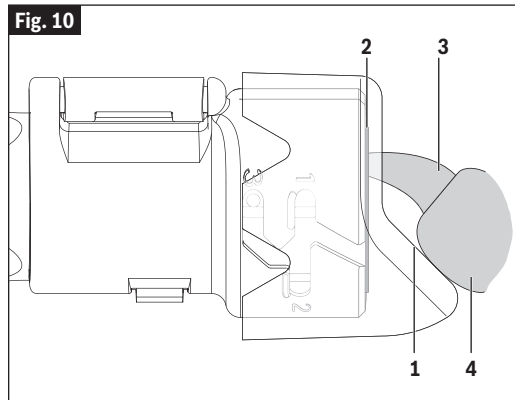
Soins des ongles – Processus

CAUTION N'utilisez que la méthode « préhension de golf » ou « préhension manuelle » pour tenir l'outil. Ne tenez jamais l'outil par son élément de fixation. Si vous tenez l'outil par son élément de fixation, l'outil risquerait de se déplacer soudainement et de causer une perte de contrôle (Fig. 9).



Instructions pour l'utilisation

Fig. 10



Placez la patte de l'animal **4** sur la rampe **1** de telle manière que l'ongle **3** soit près du disque de ponçage **2** – mais sans le toucher (Fig. 10).

Réglez la vitesse de votre outil rotatif de façon à ce qu'elle corresponde à la vitesse correspondante du tableau « Vitesses de fonctionnement ». Tenez le doigt et l'ongle d'une main tout en utilisant l'outil rotatif de l'autre. Ceci est plus confortable pour votre animal de compagnie étant que cela réduit les vibrations sur la patte. Si vous appuyez doucement sur le bas de la patte, cela allonge légèrement l'ongle et facilite ainsi l'administration des soins.

Il est important de laisser la vitesse de l'outil rotatif faire le travail ; ne faites jamais pression sur l'ongle avec le disque de ponçage en rotation. Une telle pression pourrait chauffer excessivement l'ongle, causant ainsi de l'inconfort pour votre animal de compagnie. Le disque de ponçage en rotation de l'outil rotatif ne doit pas être gardé en contact avec l'ongle plus de trois secondes à la fois. Au lieu de faire tout le travail sur un ongle à la fois, il est recommandé de travailler brièvement en succession sur chaque ongle d'une patte, puis ceux des autres pattes, en plusieurs pass-

Instructions pour l'utilisation

es. Ceci donne le temps aux angles de refroidir. Vous pouvez recommencer ce processus autant de fois que nécessaire. Coupez les ongles afin qu'ils touchent presque le sol lorsque votre animal de compagnie est en train de marcher.

Vitesses de fonctionnement

Reportez-vous au mode d'emploi de votre outil électrique pour plus d'informations sur la façon de modifier la vitesse de l'outil.

Modèle de l'outil	Réglage de la vitesse	Nombre approx. de tr/min
3000	2	5,000-10,000
4000	5-10	5,000-10,000
4300	5-10	5,000-10,000
7300-PGT	LO (1)	6,500
7700	LO (1)	10,000
8100	2	5,000
8220	5-10	5,000-10,000

Instructions pour l'utilisation

Conseils de sécurité pour les animaux de compagnie

Certains animaux de compagnie peuvent devenir nerveux en présence de l'outil ; il est donc préférable de sécuriser votre animal de compagnie. L'opérateur aura besoin des deux mains pour toiletter les ongles ; il pourrait donc être utile de demander à une autre personne de vous aider à contrôler votre animal de compagnie.





Si des poils sont accidentellement attrapés dans l'outil rotatif, éteignez immédiatement l'outil et dégagez les poils de l'outil. Pour les animaux de compagnie ayant des poils particulièrement longs, utilisez une vieille chaussette pour couvrir le doigt, le pied et la jambe de l'animal, et pour isoler l'ongle. Poussez l'ongle à travers une petite ouverture dans la pointe de la chaussette afin de travailler sur l'ongle. Gardez de la poudre styptique à portée de la main en cas de saignement. Vous trouverez de la poudre styptique dans la plupart des magasins de fournitures pour animaux de compagnie. Consultez les instructions figurant sur l'emballage pour trouver les instructions d'utilisation appropriées.

Nettoyage de l'accessoire pour les soins aux animaux de compagnie

Retirez l'accessoire pour les soins aux animaux de compagnie de l'outil rotatif suivant les besoins pour nettoyer toute poussière ou débris d'ongle. Lavez uniquement l'accessoire avec de l'eau chaude et faites-le sécher complètement avec un tissu propre avant de le réinstaller sur l'outil rotatif.

Símbolos de seguridad

Las definiciones que aparecen a continuación describen el nivel de gravedad de cada palabra de señal de seguridad. Por favor, lea el manual y preste atención a estos símbolos.

	Éste es el símbolo de alerta de seguridad. Se utiliza para alertarle a usted de posibles peligros de lesiones corporales. Obedezca todos los mensajes de seguridad que sigan a este símbolo para evitar posibles lesiones o muerte.
	PELIGRO indica una situación peligrosa que, si no se evita, causará la muerte o lesiones graves.
	ADVERTENCIA indica una situación peligrosa que, si no se evita, podría causar la muerte o lesiones graves.
	PRECAUCIÓN, cuando se utiliza con el símbolo de alerta de seguridad, indica una situación peligrosa que, si no se evita, causará lesiones leves o moderadas.

Advertencias de seguridad

⚠ ADVERTENCIA Lea todas las advertencias de seguridad y todas las instrucciones contenidas en el manual de la herramienta rotativa y en este manual. Si no se siguen las advertencias e instrucciones, es posible que el resultado sea descargas eléctricas, incendios y/o lesiones graves a una persona o un animal.

GUARDE TODAS LAS ADVERTENCIAS E INSTRUCCIONES PARA REFERENCIA FUTURA

Mantenga la herramienta alejada del agua. Tenga precaución adicional cuando utilice la herramienta rotativa cerca de una tina o un área de lavado de animales domésticos. Si entra agua en una herramienta eléctrica se aumentará el riesgo de descargas eléctricas.

Use equipo de protección personal. Use siempre protección de los ojos.

Este producto está diseñado únicamente para arreglar uñas de perro o de gato. Este producto no está diseñado para utilizarse como taladro dental en aplicaciones médicas en seres humanos ni en veterinaria. En caso de hacer dicho uso, es posible que el resultado sea lesiones graves.

Este aditamento está diseñado solamente para utilizarse con los modelos de herramienta rotativa Dremel 3000, 4000, 4300, 7300-PGT, 7700, 8100 u 8220. Es posible que el uso de este aditamento con cualquier otra herramienta rotativa cause lesiones graves.

Utilice únicamente el disco de lijar accesorio SD60-PGA y el mandril EZ Lock™ EZ402 con este aditamento. Es posible que el uso de cualquier otro accesorio cause lesiones graves.

No utilice el aditamento sin tener todos los componentes instalados de acuerdo con las instrucciones de utilización. Cualquier otro uso es un uso indebido y podría causar lesiones.



La máxima velocidad de funcionamiento para aplicaciones de arreglo de uñas de animales domésticos es 10.000/min. Es posible que el uso de velocidades de funcionamiento más altas cause una acumulación de calor y lesiones al animal doméstico. Consulte la sección “Velocidades de funcionamiento” para obtener el ajuste adecuado de la velocidad de la herramienta.

Advertencias de seguridad

Mantenga el pelo de su animal doméstico alejado de las piezas que giran. El pelo se puede enganchar en la herramienta y con ello causar lesiones a su animal doméstico. Consulte la sección “Consejos de seguridad para animales domésticos” para obtener más información.

Símbolos

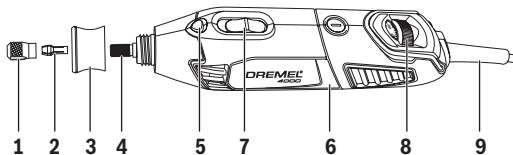
IMPORTANTE: Es posible que algunos de los siguiente símbolos se usen en su producto. Por favor, estúdielos y aprenda su significado. La interpretación correcta de estos símbolos le permitirá utilizar el producto mejor y de manera más segura.

Símbolo	Désignación / Explicación
	Alerta al usuario para que lea el manual.
	Alerta al usuario para que use protección de los ojos.
.../min	Revoluciones por minuto (RPM)
n	Velocidad nominal (máxima velocidad obtenible)

Familiarización con su herramienta y sus accesorios Dremel®

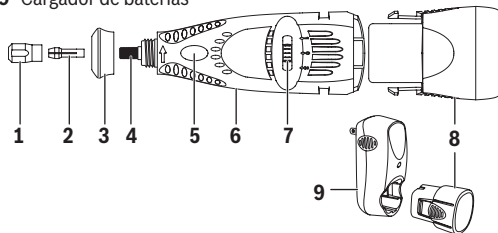
Herramienta rotativa alámbrica

- 1 Tuerca del portaherramienta
- 2 Portaherramienta
- 3 Tapa de punta roscada
- 4 Eje de salida
- 5 Botón de fijación del eje
- 6 Herramienta rotativa
- 7 Interruptor de encendido y apagado
- 8 Dial de velocidad
- 9 Cable de alimentación



Herramienta rotativa inalámbrica (operada por batería)

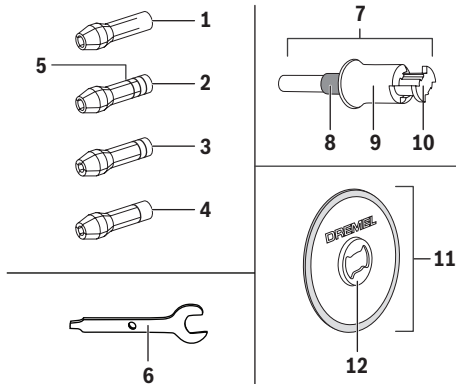
- 1 Tuerca del portaherramienta
- 2 Portaherramienta
- 3 Tapa de punta roscada
- 4 Eje de salida
- 5 Botón de fijación del eje
- 6 Herramienta rotativa
- 7 Interruptor de encendido y apagado y dial de velocidad
- 8 Paquete de batería
- 9 Cargador de baterías



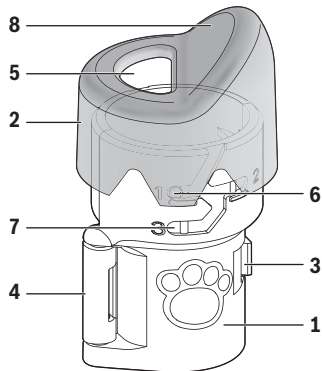
Familiarización con su herramienta y sus accesorios Dremel®

Accesorios de la herramienta rotativa

- 1 Portaherramienta de 1/8 de pulgada 480 (sin anillos de identificación)
- 2 Portaherramienta de 3/32 de pulgada 481 (3 anillos de identificación)
- 3 Portaherramienta de 1/16 de pulgada 482 (2 anillos de identificación)
- 4 Portaherramienta de 1/32 de pulgada 483 (1 anillo de identificación)
- 5 Anillos de identificación
- 6 Llave de tuerca
- 7 Mandril EZ Lock™ EZ402
- 8 Espaciador azul
- 9 Manguito accionado por resorte
- 10 Interfaz de corbatín
- 11 Disco de lijar SD60-PGA
- 12 Interfaz de corbatín



Familiarización con su herramienta y sus accesorios Dremel®



Aditamento para arreglar uñas de animales domésticos AT01-PGA

- 1 Carcasa del aditamento
- 2 Tapa transparente
- 3 Presilla
- 4 Bisagra
- 5 Abertura para el disco de lijar
- 6 Lengüeta (parte de la tapa transparente)
- 7 Guía de profundidad
- 8 Rampa

Ensamblaje

⚠ ADVERTENCIA Desconecte la herramienta de la fuente de alimentación y asegúrese de que la herramienta rotativa esté “APAGADA” antes de hacer cualquier ensamblaje o ajuste, o cambiar accesorios. Dichas medidas preventivas reducen el riesgo de arrancar accidentalmente la herramienta.

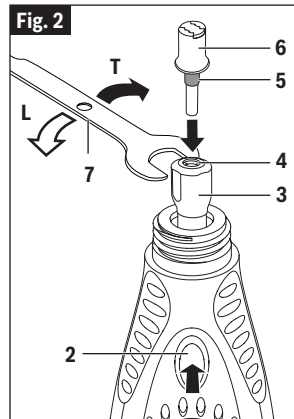
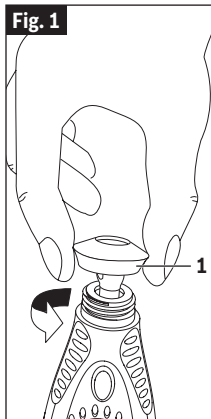


⚠ PRECAUCION No utilice una boquilla Dremel con este aditamento. Utilice únicamente un portaherramienta de 1/8 de pulgada y una tuerca de portaherramienta. El uso de la boquilla Dremel podrá causar daños al aditamento.

Para cargar el mandril:

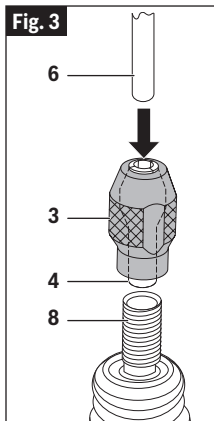
1. Desensrosque y retire la tapa de punta **1** de la herramienta girándola en sentido contrario al de las agujas del reloj hasta que se separe de la herramienta (Fig. 1).
2. Para aflojar la tuerca del portaherramienta, presione primero el botón de fijación del eje **2** y rote a mano la tuerca del portaherramienta **3** hasta que el cierre acople el eje e impida su

rotación adicional (Fig. 2).



Ensamblaje

Fig. 3



PRECAUCIÓN No acople el cierre del eje mientras la herramienta esté en funcionamiento.

3. Con el cierre del eje **2** acoplado, afloje la tuerca del portaherramienta **3** (gírela en sentido contrario al de las agujas del reloj **L**). Utilice la llave de tuerca **7** si es necesario. La tuerca del portaherramienta debe estar enroscada flojamente cuando se inserte un accesorio (Fig. 2).
4. Inserte el mandril EZ Lock™ **6** en el portaherramienta **4** (Fig. 2).

PRECAUCIÓN Asegúrese de que el espaciador azul **5** ubicado en el mandril toque fondo en la tuerca del portaherramienta, ajustando el mandril a la profundidad correcta. Si no se ajusta el mandril a la profundidad correcta, el resultado puede ser daños al aditamento.

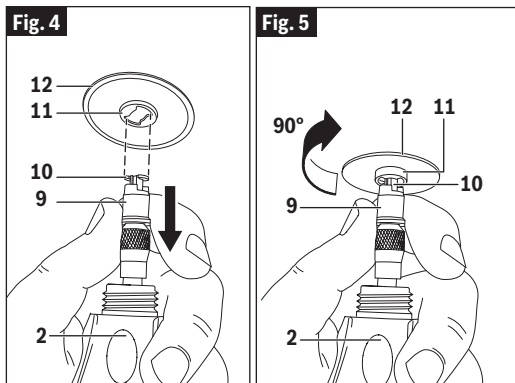
5. Con el cierre del eje **2** acoplado, apriete firme-

mente la tuerca del portaherramienta **3** (gírela en el sentido de las agujas del reloj **T**) con la llave de tuerca **7** (Fig. 2).

Nota: Si el mandril EZ Lock™ no encaja en el portaherramienta, es posible que el portaherramienta esté atorado dentro de la tuerca del portaherramienta. Si esto sucede, retire la tuerca del portaherramienta de la herramienta, para lo cual deberá continuar girándola en sentido contrario al de las agujas del reloj. Si el portaherramienta no se separa de la tuerca del portaherramienta al retirarlo de la herramienta, empuje el vástago del mandril EZ Lock™ **6** hacia el interior del agujero de la tuerca del portaherramienta **3**. Esto debería hacer que el portaherramienta **4** salga de la tuerca del portaherramienta **3**. Efectúe el reensamblaje colocando el portaherramienta **4** dentro del eje de salida **8** y girando la tuerca del portaherramienta **3** en el sentido de las agujas del reloj sobre el portaherramienta para apre-

Ensamblaje

tarlo de vuelta sobre el eje de salida **8** (Fig. 3). Luego proceda a realizar la instalación del mandril EZ Lock™ de acuerdo con las instrucciones.



Para cargar el disco de lijar:

1. Jale el manguito accionado por resorte **9** HACIA ABAJO, hacia la herramienta, con una mano, y manténgalo en esa posición. Puede apoyar la herramienta en el cuerpo o sobre un banco de trabajo para hacer palanca adicional (Fig. 4).
2. Con la otra mano, alinee la interfaz de corbatín **10** ubicada en el mandril con la interfaz de corbatín de metal **11** ubicada en la parte inferior del disco de lijar **12** (Fig. 4).
3. Coloque el disco de lijar en el mandril hasta un punto justo debajo del corbatín ubicado en el mandril **10** y gírelo 90 grados hasta que la interfaz de corbatín **11** ubicada en el disco de lijar **12** se alinee con el manguito **9**. Suelte el manguito **9**. El disco de lijar **12** debería quedar sujeto en la posición correcta (Fig. 5).

⚠ ADVERTENCIA Es posible que un asentamiento incorrecto del disco de lijar sobre el mandril cause lesiones corporales o daños materiales. Para comprobar si el asentamiento es correcto, mantenga presionado

Ensamblaje

el botón de fijación del eje **2** y gire el disco de lijar **12**. El disco de lijar **12** no podrá rotar sobre el mandril.

Para descargar el disco de lijar:

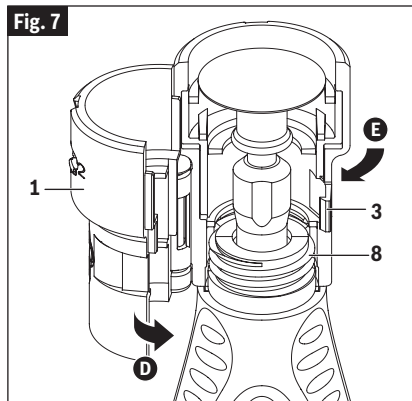
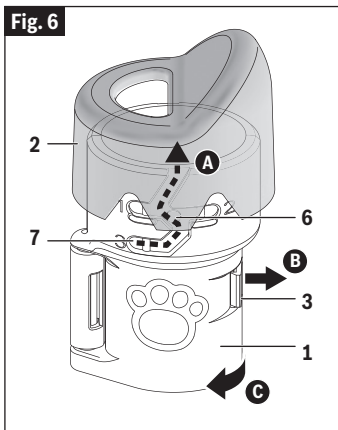
1. Jale el manguito accionado por resorte **9** HACIA ABAJO, hacia la herramienta, con una mano (Fig. 5).
2. Sujete el manguito **9** hacia abajo mientras gira el disco de lijar **12** 90 grados (Fig. 5).
3. Retire el disco de lijar **12** (Fig. 5).

Para instalar el aditamento protector de uñas:

Nota: Asegúrese de que el mandril y el disco de lijar esté montados correctamente antes de montar el aditamento.

- A. Retire la tapa transparente **2** del aditamento haciendo pasar los pomos pequeños **6**, ubicados en el interior de la tapa transparente, hacia arriba a lo largo de la guía de ajuste de la altura **7** hasta que lleguen a la abertura guiada (Fig. 6).
- B. Desbloquee la presilla **3**.
- C. Abra el aditamento **1** (Fig. 6).
- D. Posicione el aditamento **1** alrededor de la punta roscada de la herramienta **8** y cierre el aditamento juntándolo hasta que la presilla **3** esté completamente acoplada (Fig. 7).
- E. Gire todo el aditamento **1** en el sentido de las agujas del reloj hasta la posición correcta sobre la punta roscada **8**. Asegúrese de que esté apretado firmemente para que no cambie de posiciones durante el uso (Fig. 7).
- F. Reinstale la tapa transparente **2** (simplemente realice el paso **A** en orden inverso).

Ensamblaje



Ensamblaje

G. Localice la posición correcta de la guía de ajuste de la altura para su modelo de herramienta Dremel en el cuadro que aparece a continuación y gire la tapa transparente de manera que los pomos pequeños estén totalmente al final de la ranura correspondiente del aditamento. Usted oírá como la tapa se acopla a presión con un clic en la posición correcta cuando esté completamente instalada. No fuerce la tapa transparente para sacarla de las guías.

Cuadro de posiciones de altura

Posición de la guía de ajuste de la altura	Modelos Dremel compatibles
1	8100
2	3000, 4000, 4300, 8220
3	7300-PGT, 7700

Instrucciones de utilización

⚠ ADVERTENCIA Siga todas las advertencias e instrucciones de seguridad provistas en el manual de la herramienta y el manual del aditamento.

¿Por qué usar una herramienta rotativa Dremel para arreglar uñas de animales domésticos?

Las tijeras y los cortaúñas tipo guillotina aplican presión y pellizcan la uña, lo cual puede ser incómodo para los dedos y los pies de los animales domésticos. Además, al recortar las uñas se aumenta la probabilidad de cortar la vía de suministro interno de sangre a la uña, que se conoce como la raíz; la acción de amolado es más gradual y más controlada. Si se mella la raíz usando una herramienta rotativa, generalmente el corte será más pequeño y se curará más rápidamente que un corte hecho con un cortaúñas.

Antes de comenzar

Arreglar las uñas de un animal doméstico por primera vez puede ser una experiencia preocupante tanto para el animal como para su dueño. Tenga la seguridad de que el arreglo de las uñas no tiene que ser una experiencia estresante. Al comenzar pronto y

Instrucciones de utilización

considerar que el arreglo de las uñas forma parte del adiestramiento del animal, éste se acostumbrará a la experiencia.

Primero, entrene a su animal doméstico para que se sienta cómodo con que le toquen y manipulen las patas antes de exponerlo a la herramienta rotativa. Una manera de hacer esto es masajearle las piernas, las patas y los dedos individuales unos cuantos minutos por lo menos una vez al día. Después, cree una asociación positiva con esta experiencia recompensando a su animal doméstico con su golosina favorita.

Luego, ayude a su animal a acostumbrarse gradualmente a la herramienta rotativa. Deje que el animal huela la herramienta mientras está apagada. Luego, mientras sostiene la herramienta en la mano, deje que su animal doméstico oiga el sonido que la herramienta hace al encenderla. Idealmente, haga que el animal se siente o se acueste sobre un lado mientras usted sostiene la herramienta en la mano y la tiene en marcha. Progrese gradualmente hasta hacer que las uñas de su animal doméstico toquen el disco de lijar que rota durante menos de un segundo. No amuele todavía las uñas; simplemente deje que su animal doméstico

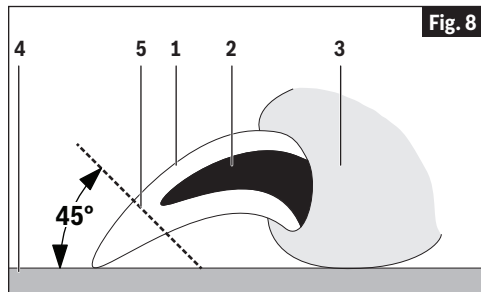
se familiarice con la herramienta. Durante todo el proceso de aclimatación, siga felicitando a su animal doméstico y recompense su buena conducta con una golosina. Es posible que este proceso tome unos cuantos días o semanas. En poco tiempo tanto usted como su animal doméstico podrán relajarse e incluso disfrutar del tiempo que comparten para arreglar las uñas.

Anatomía de la uña

Las uñas/garras que contienen vasos sanguíneos de raíz que se describen en esta sección son relevantes para varios tipos de animales domésticos, incluyendo perros y gatos.

Antes de recortar las uñas de su animal doméstico, usted tendrá que identificar la raíz. En el diagrama (Fig. 8) se muestra la anatomía básica de la uña de un animal doméstico. La uña exterior es dura y no tiene sensación debido a que no tiene terminaciones nerviosas. El núcleo de la uña es la raíz. Está formado por diminutos vasos sanguíneos y terminaciones nerviosas y es muy sensible. La raíz es una vena que "alimenta" a la uña. Si usted corta la raíz mientras está recortando una uña, ésta comenzará a sangrar.

Instrucciones de utilización



Anatomía de la uña

- 1 Uña / garra
- 2 Raíz
- 3 Pata
- 4 Piso
- 5 Línea de corte

48

Las uñas de color claro son a menudo lo suficientemente transparentes como para permitirle ver el núcleo rosado de la raíz. Es posible que las uñas de color oscuro no le permitan ver dónde está ubicada la raíz. Es posible que los animales domésticos tengan uñas de color tanto claro como oscuro que le permitan a usted estimar la longitud de la raíz.

En el diagrama también se muestra un estimado del ángulo adecuado con el que recortar las uñas de un animal doméstico. Una regla práctica para el ángulo adecuado es 45 grados hacia arriba desde la parte inferior de la pata. El ángulo apropiado podrá variar de acuerdo con los deseos del dueño del animal doméstico o con la anatomía especial de dicho animal. Recorte las uñas de manera que casi toquen el piso cuando su animal doméstico esté caminando.

El proceso de arreglo de las uñas

⚠ PRECAUCION Use sólo el método de “empuñadura de golf” o “empuñadura agarre con la mano” para agarrar la herramienta. No agarre nunca la herramienta por el aditamento. Si agarra la herramienta por el aditamento, el resul-

Instrucciones de utilización

tado podría ser que se desplace inesperadamente, causando pérdida de control (Fig. 9).

Coloque la pata del animal doméstico **4** sobre la rampa **1** de manera que la uña **3** esté cerca del disco de lijar **2** pero no lo toque (Fig. 10).

Ajuste la velocidad de su herramienta rotativa para que coincida con el cuadro de "Velocidades de funcionamiento". Sostenga el dedo y la uña de su animal doméstico en una mano mientras

utiliza la herramienta rotativa en la otra mano. Esto es más cómodo para su animal, ya que reduce la vibración en la pata. Si se empuja suavemente sobre la parte inferior de la almohadilla

Fig. 9

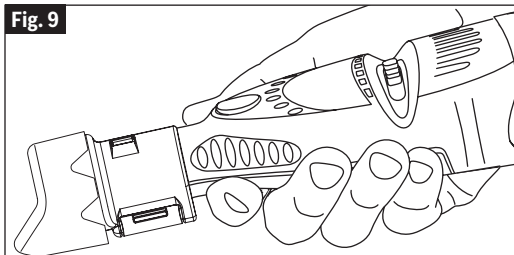
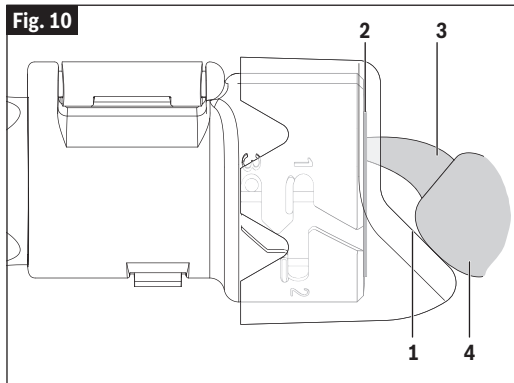


Fig. 10



Instrucciones de utilización

de la pata se extiende ligeramente la uña para poder arreglarla más fácilmente.

Es importante dejar que la velocidad de la herramienta rotativa haga el trabajo; no aplique nunca presión a la uña con el disco de lijar que gira. Es posible que la presión haga que la uña se caliente demasiado, lo cual le causará molestias a su animal doméstico. El disco de lijar que gira de la herramienta rotativa no se debería mantener contra la uña más de tres segundos a la vez. En lugar de concentrarse en completar una uña a la vez, se recomienda recortar brevemente cada uña de una pata y luego de la otra, en varias pasadas. Esto deja tiempo para que las uñas se enfríen. Usted podrá repetir este proceso según sea necesario. Recorte las uñas de manera que casi toquen el piso cuando su animal doméstico esté caminando.

Velocidades de funcionamiento

Consulte el manual de su herramienta eléctrica para obtener más información sobre cómo cambiar la velocidad de la misma.

Modelo de herramienta	Ajuste de velocidad	RPM aproximadas
3000	2	5,000-10,000
4000	5-10	5,000-10,000
4300	5-10	5,000-10,000
7300-PGT	LO (1)	6,500
7700	LO (1)	10,000
8100	2	5,000
8220	5-10	5,000-10,000

Instrucciones de utilización

Consejos de seguridad para animales domésticos

Es posible que algunos animales domésticos se pongan nerviosos en presencia de la herramienta, por lo que lo mejor es sujetar firmemente a su animal doméstico. El operador necesitará las dos manos para arreglar las uñas, por lo que puede que sea útil tener a otra persona para que le ayude a sujetar a su animal.

Si el pelo se engancha accidentalmente en la herramienta rotativa, apague inmediatamente la herramienta y desenrede el pelo de la herramienta. En el caso de animales domésticos que tengan el pelo especialmente largo, use una media vieja para cubrir el dedo, el pie y la pata del animal y aíse la uña. Empuje la uña hacia fuera a través de una abertura pequeña en la punta de la media para arreglar la uña. Mantenga a mano polvo estíptico por si el animal sangra. El polvo estíptico está disponible en la mayoría de las tiendas de productos para animales domésticos. Siga las instrucciones indicadas en el paquete para el uso correcto del producto.

Limpieza del aditamento para arreglar uñas de animales domésticos

Retire el aditamento para arreglar uñas de animales domésticos de la herramienta rotativa según sea necesario para eliminar todo el polvo o residuo de uñas que tenga. Lave sólo el aditamento con agua templada y séquelo completamente con un paño limpio antes de reinstalarlo en la herramienta rotativa.



Exportado por: © Robert Bosch Tool Corporation
Mt. Prospect, IL 60056 -2230, E.U.A.
Importado a México por: Robert Bosch, S. de R.L. de C.V.
Calle Robert Bosch No. 405 - 50071 Toluca, Edo. de Méx. - México
Tel. 052 (722) 279 2300 ext 1160
Fax. 052 (722) 216-6656



2 6 1 0 0 4 6 2 6 7 A A

03/2017



Free Manuals Download Website

<http://myh66.com>

<http://usermanuals.us>

<http://www.somanuals.com>

<http://www.4manuals.cc>

<http://www.manual-lib.com>

<http://www.404manual.com>

<http://www.luxmanual.com>

<http://aubethermostatmanual.com>

Golf course search by state

<http://golfingnear.com>

Email search by domain

<http://emailbydomain.com>

Auto manuals search

<http://auto.somanuals.com>

TV manuals search

<http://tv.somanuals.com>