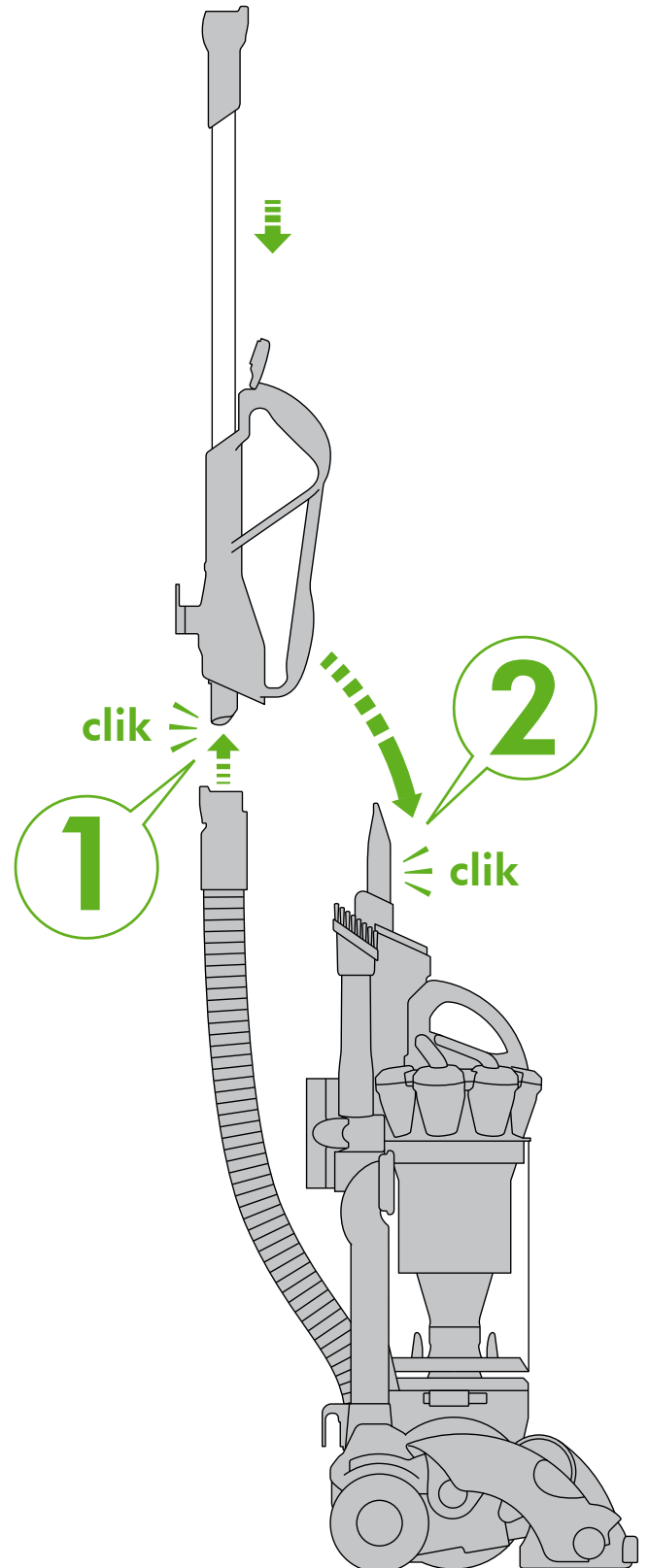


ASSEMBLY • ASSEMBLAGE



3 months
mois

WASH FILTERS
Wash filters with cold water at least every 3 months.

LAVER LES FILTRES
Laver les filtres à l'eau froide au moins tous les 3 mois.

REGISTER TODAY
3 easy ways to register your 5 year warranty.

ENREGISTREMENT
3 façons faciles de vous enregistrer pour bénéficier d'une garantie de 5 ans.

IMPORTANT SAFETY INSTRUCTIONS

READ ALL INSTRUCTIONS BEFORE USING THIS VACUUM CLEANER

When using an electrical appliance, basic precautions should always be followed, including the following:

WARNING

TO REDUCE THE RISK OF FIRE, ELECTRIC SHOCK, OR INJURY:

1. Do not leave the vacuum cleaner when plugged in. Unplug from outlet when not in use and before servicing.
2. Do not use outdoors or on wet surfaces.
3. Do not allow to be used as a toy. Close attention is necessary when used by or near children.
4. Use only as described in this Operating Manual. Use only Dyson recommended attachments.
5. Do not use with damaged cord or plug. If the vacuum cleaner is not working as it should, has been dropped, damaged, left outdoors, or dropped into water, contact the Dyson Helpline.
6. Do not pull or carry by the cord, use the cord as a handle, close a door on the cord, or pull the cord around sharp edges or corners. Do not run the vacuum cleaner over the cord. Keep the cord away from heated surfaces.
7. Do not unplug by pulling on the cord. To unplug, grasp the plug, not the cord.
8. Do not handle plug or the vacuum cleaner with wet hands.
9. Do not put any object into openings. Do not use with any opening blocked; keep free of dust, lint, hair, and anything that may reduce air flow.
10. Keep hair, loose clothing, fingers, and all parts of body away from openings and moving parts, such as the brush bar.
11. Turn off all controls before unplugging.
12. Use extra care when cleaning on stairs.
13. Do not use to pick up flammable or combustible liquids, such as gasoline, or use in areas where they may be present.
14. Do not pick up anything that is burning or smoking, such as cigarettes, matches, or hot ashes.
15. Do not use without the clear bin™ and filters in place.

SAVE THESE INSTRUCTIONS

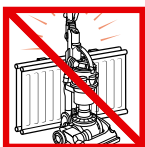
THIS APPLIANCE IS INTENDED FOR HOUSEHOLD USE ONLY

POLARIZATION INSTRUCTIONS

To reduce the risk of electric shock, this appliance has a polarized plug (one blade is wider than the other). This plug will fit in a polarized outlet only one way. If the plug does not fit fully in the outlet, reverse the plug. If it still does not fit, contact a qualified electrician to install a proper outlet. Do not change the plug in any way.



Do not pull on the cord.



Do not store near heat sources.



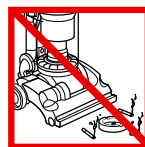
Do not use near open flame.



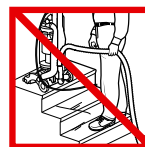
Do not run over the cord.



Do not pick up water or liquids.



Do not pick up burning objects.



Do not use above you on the stairs.



Do not put hands near the brush bar when the vacuum cleaner is in use.

CONSIGNES DE SÉCURITÉ IMPORTANTES

AVANT D'UTILISER CET APPAREIL, LIRE ATTENTIVEMENT TOUTES LES INSTRUCTIONS

Lorsque vous utilisez un appareil électrique, vous devez toujours suivre les précautions de base suivantes :

AVERTISSEMENT

AFIN DE RÉDUIRE LES RISQUES D'INCENDIE, DE DÉCHARGE ÉLECTRIQUE OU DE BLESSURE :

1. Ne pas laisser l'aspirateur branché. Le débrancher de la prise lorsqu'il n'est pas utilisé ou avant d'effectuer des réparations.
2. Ne pas utiliser à l'extérieur ou sur des surfaces mouillées.
3. Cet appareil n'est pas un jouet. Faire très attention lorsqu'on l'utilise près d'enfants ou si ceux-ci s'en servent.
4. Utiliser l'aspirateur seulement de la façon décrite dans ce guide. N'utiliser que les accessoires Dyson recommandés.
5. Ne pas le tirer ni le transporter par le cordon. Si l'aspirateur fonctionne mal, s'il est tombé, endommagé, a été laissé à l'extérieur ou s'il est tombé dans l'eau, communiquer avec la ligne d'assistance téléphonique de Dyson.
6. Ne pas le tirer ni le transporter par le cordon, ou utiliser le cordon comme une poignée, ni le coincer dans une porte ou le tirer sur des bords et des angles pointus. Ne pas passer l'aspirateur sur le cordon. Éloigner le cordon des surfaces de chaleur.
7. Ne pas débrancher en tirant sur le cordon. Pour le débrancher, saisir la fiche et non le cordon.
8. Ne pas manipuler la fiche ou l'aspirateur avec des mains mouillées.
9. Ne placer aucun objet dans les ouvertures. Ne pas utiliser si une ouverture est obstruée; enlever la poussière, les peluches, les cheveux et tout ce qui pourrait entraver la circulation de l'air.
10. Éloigner les cheveux, les vêtements amples, les doigts et toute partie du corps des ouvertures et des pièces mobiles, comme la brosse.
11. Fermer toutes les commandes avant de débrancher l'aspirateur.
12. Faire très attention durant le nettoyage d'un escalier.
13. Ne pas utiliser pour aspirer des liquides inflammables ou combustibles, comme de l'essence, ou dans des zones où ces liquides peuvent être présents.
14. Ne pas aspirer d'objets qui brûlent ou qui fument tels que des cigarette, des allumettes ou de la cendre.
15. Ne pas utiliser lorsque le collecteur transparent^{MC} et les filtres ne sont pas installés.

CONSERVER CES CONSIGNES

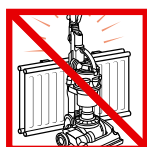
CET APPAREIL EST CONÇU POUR UN USAGE DOMESTIQUE SEULEMENT

INSTRUCTIONS DE POLARISATION

Afin de réduire les risques de décharge électrique, cet appareil est muni d'une fiche polarisée (une broche est plus large que l'autre). Cette fiche ne peut être branchée dans une prise polarisée que d'une seule façon. Si elle n'entre pas entièrement dans la prise, l'inverser. Si cela ne fonctionne toujours pas, communiquer avec un électricien qualifié afin de faire installer une prise appropriée. Ne jamais modifier la fiche.



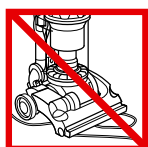
Ne pas tirer sur le cordon.



Ne pas ranger à proximité de sources de chaleur.



Ne pas utiliser à proximité d'une flamme.



Ne pas faire passer l'aspirateur sur le cordon.



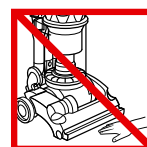
Ne pas aspirer d'eau ou de liquides.



Ne pas aspirer d'objets qui brûlent.



Ne pas mettre l'aspirateur au-dessus de vous lorsque vous nettoyez des escaliers.



Ne pas mettre vos mains près de la brosse lorsque l'aspirateur est en marche.

Using your Dyson vacuum cleaner • Utilisation de votre aspirateur Dyson

MEDIUM PILE
ÉPAISSEUR MOYENNE

ON/OFF
MARCHE/ARRÊT

SHORT PILE
PETITE ÉPAISSEUR

BARE FLOOR
PLANCHER NU

DEEP PILE
FORTE ÉPAISSEUR

PLEASE NOTE:
See page 8 for recommended settings for different floor coverings.

REMARQUE:
Se reporter à la page 10 pour les réglages recommandés pour les différents revêtements de sol.

Clear bin™ emptying • Comment vider le collecteur transparent™

MAX

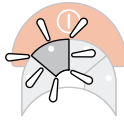
Flat Out™ head • Brosse Flat Out™

Clearing brush bar obstructions • Élimination des obstructions sur la brosse

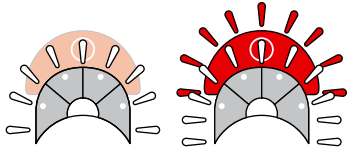
Looking for blockages • Vérifier



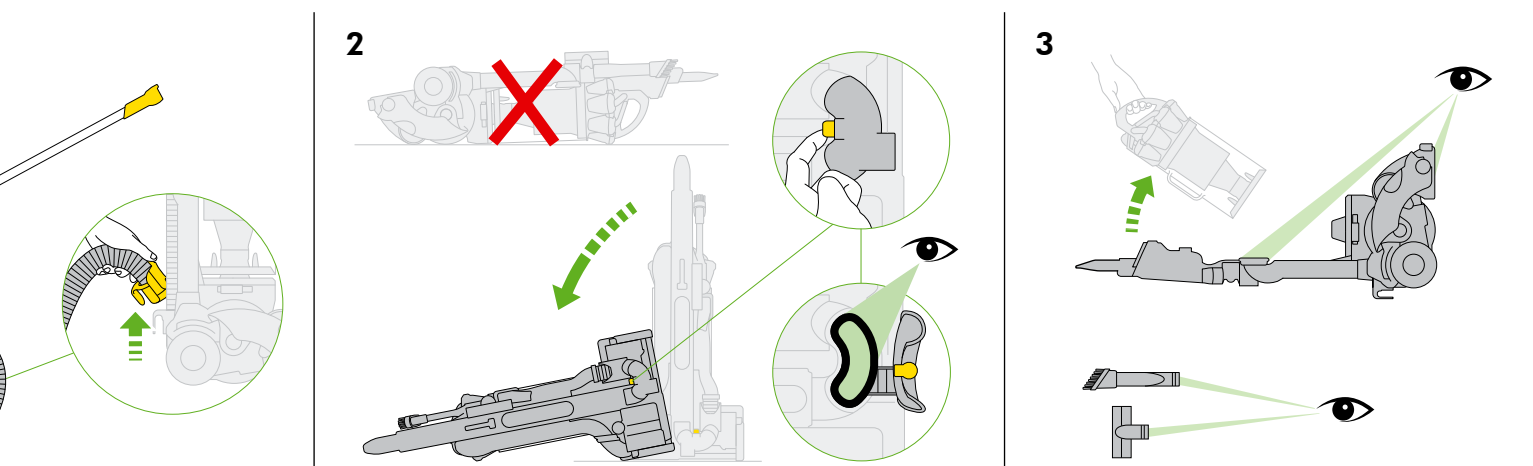
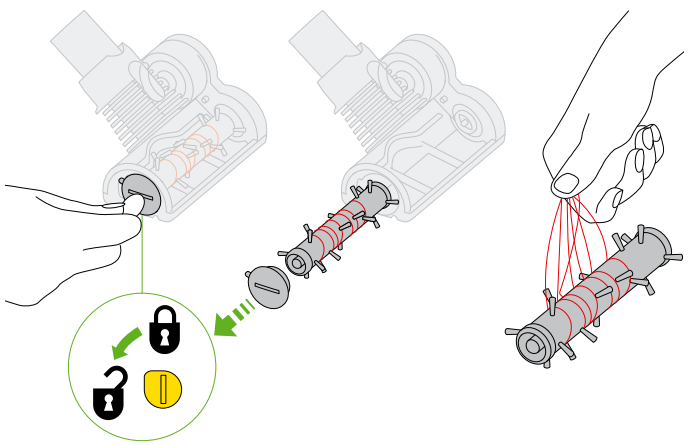
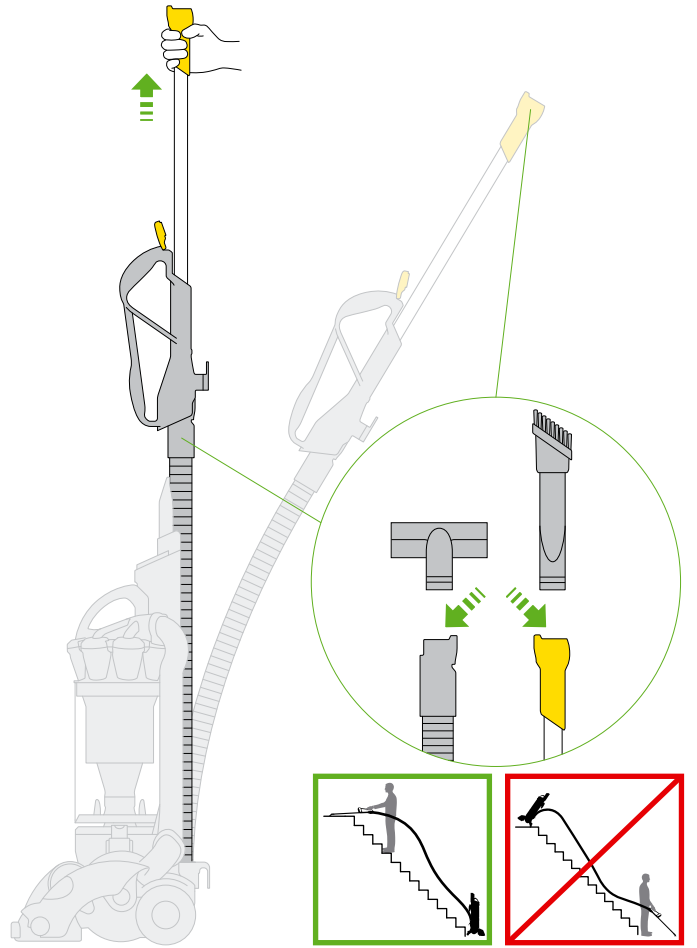
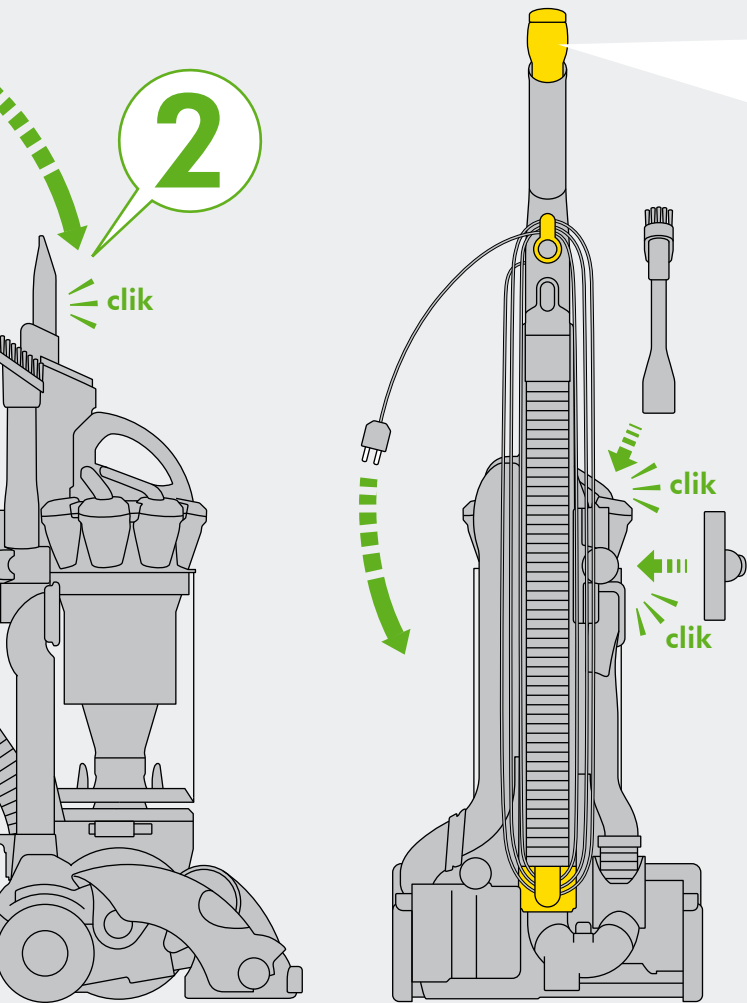
Please refer to the 'Clearing brush bar obstructions' section.*
Veuillez consulter la section « Élimination des obstructions sur la brosse ».**



Re-set the carpet mode by selecting a different floor type then re-selecting the button for the desired floor type.*
Régler de nouveau le mode tapis en sélectionnant un type de sol différent, puis sélectionner à nouveau le bouton correspondant au type de sol souhaité.**



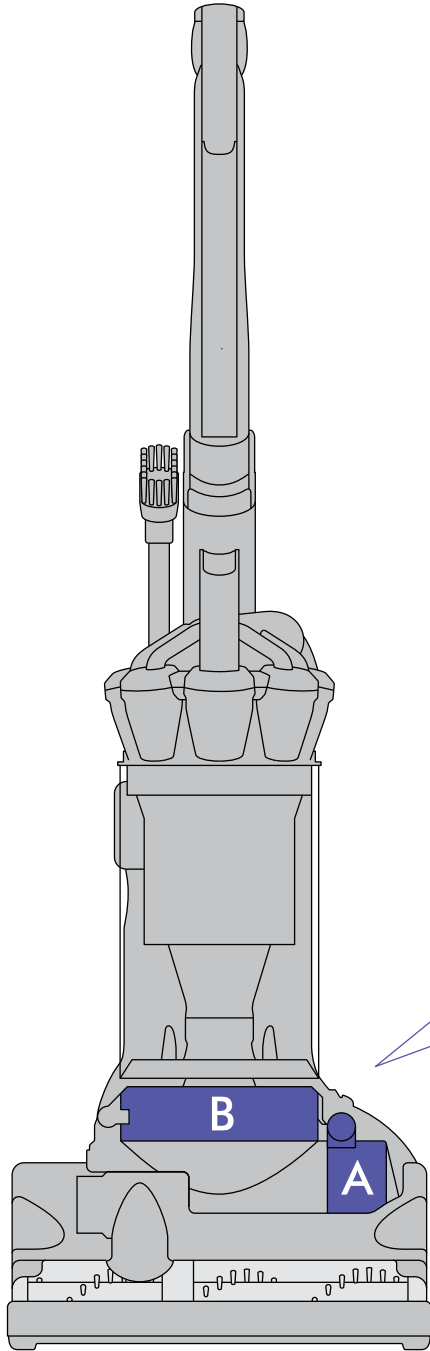
Re-set the vacuum by turning it off for at least 30 seconds then on again.*
Redémarrer l'aspirateur; pour cela, le mettre hors tension pendant 30 secondes au moins puis le remettre sous tension.**



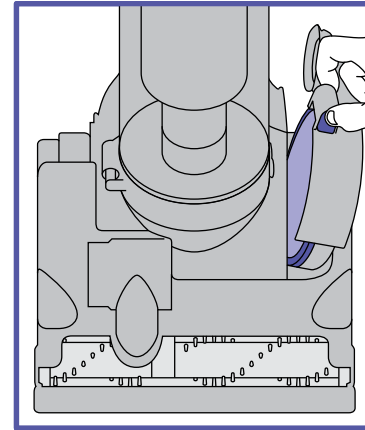
IMPORTANT!

WASH FILTERS
LAVER LES FILTRES

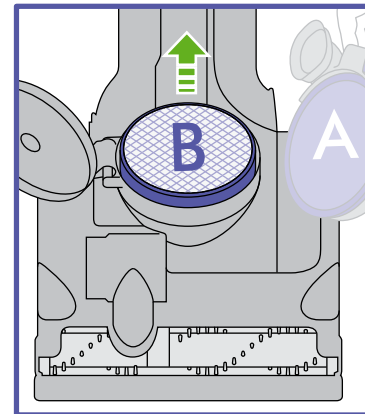
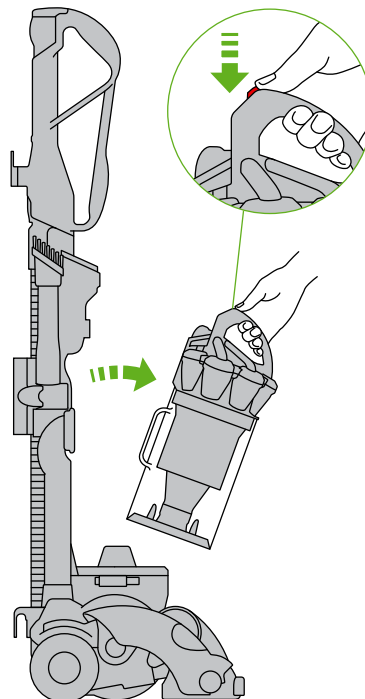
 **3** months
mois



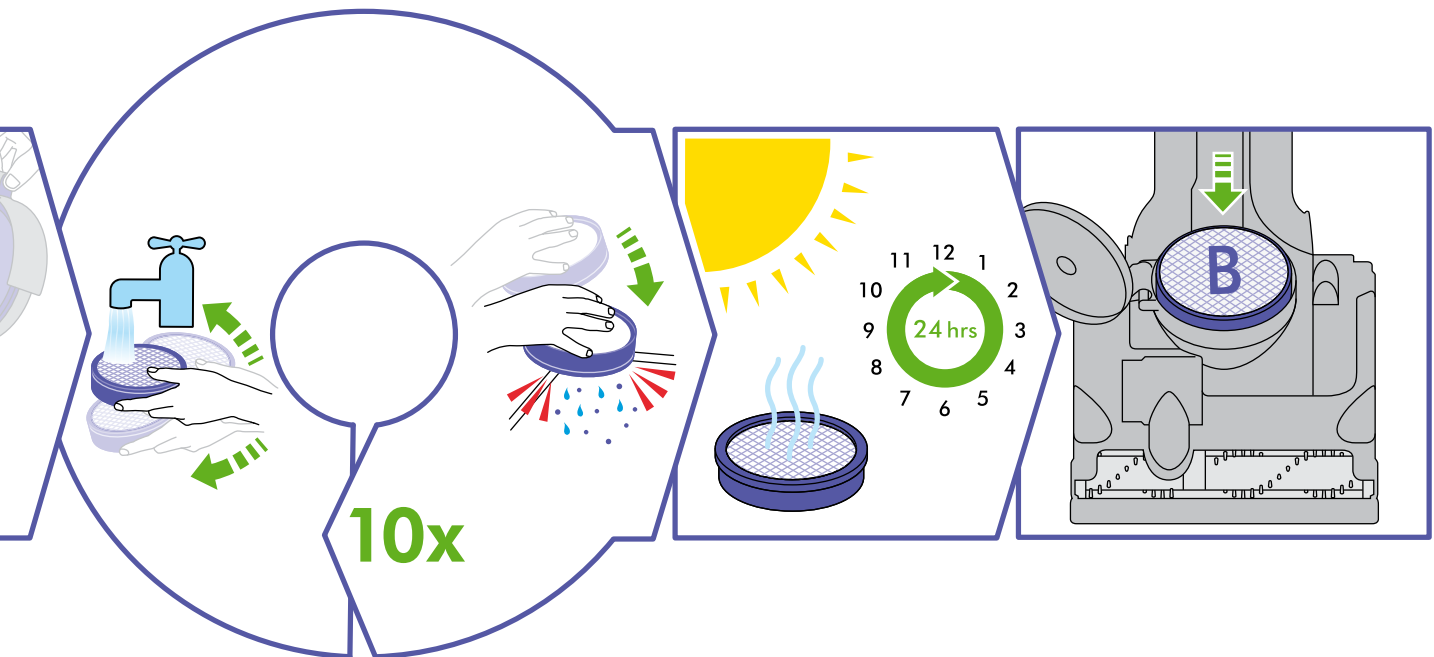
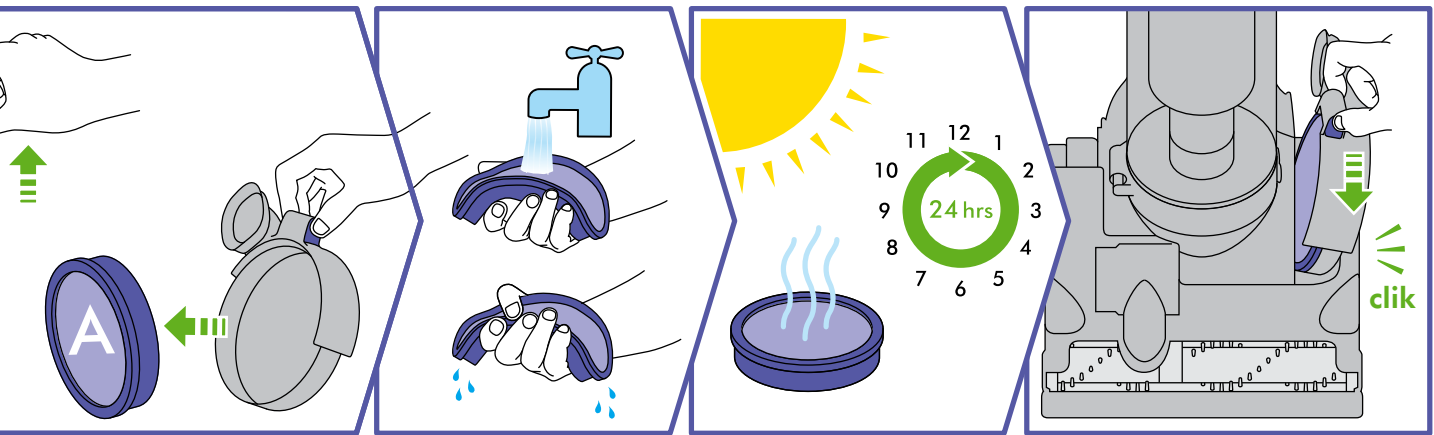
Filter • Filtre A



Filter • Filtre B



Wash filters with cold water at least every 3 months.
Laver les filtres à l'eau froide au moins tous les 3 mois.



Rinse and shake filters under tap. Turn over and tap very firmly to remove motor emissions. Repeat 10 times or until water runs clear.

Rincer les filtres sous le robinet en les secouant. Les retourner et taper fermement pour retirer les accumulations de particules. Répéter 10 fois la procédure jusqu'à ce que l'eau soit claire.



ASSEMBLY

- Stand the vacuum cleaner up straight and slide the hose into guides at the back of the vacuum cleaner and click into place.
- Attach wand into top of hose and click.
- Click the wand handle into the top of the vacuum cleaner.
- Ensure the hose is straight and slide the wand straight down into the hose.
- Attach the tools to the vacuum cleaner and wind the cord counter-clockwise around cord hooks and secure with clip.

USING YOUR DYSON VACUUM CLEANER

Unwind the cord and insert the plug into a suitable socket. Hold the cleaner head down with your foot and pull the handle downwards. To switch 'ON' or 'OFF' press the power button in front of the handle.

⚠ CAUTION:

- Do not use or store this vacuum cleaner below 32°F (0°C). Ensure the vacuum cleaner is at room temperature before operating.
- Do not allow the vacuum cleaner to be used by anyone who may not be able to operate it safely.
- The use of an extension cord is not recommended.
- Always switch off and unplug before performing maintenance on your vacuum cleaner.
- When returning to the upright position ensure the wand and clear bin™ assembly are vertical.
- Ensure the cyclone is secured to the vacuum cleaner. Do not press the cyclone release button or shake the vacuum cleaner while carrying or it could fall and cause injury.
- Store the vacuum cleaner indoors. Put the vacuum cleaner away after use with the cord coiled safely, to prevent tripping hazards.
- Do not use outdoors or on wet surfaces or to vacuum water or other liquids – electric shock could occur.
- Do not lubricate any parts, or carry out any maintenance or repair work other than that shown in this Operating Manual, or advised by the Dyson Helpline.

PLEASE NOTE:

- This vacuum cleaner is intended for household use only.
- Fine dust such as plaster dust or flour should only be vacuumed in very small amounts.
- Do not use the vacuum cleaner to pick up sharp hard objects, small toys, pins, paper clips, etc. They may damage the vacuum cleaner.
- The vacuum cleaner may be used inside a garage only when used with the Model 08909 Dyson Car Cleaning Kit accessories.
- If used in a garage, care should be taken to wipe the soleplate and wheels with a dry cloth after vacuuming to clean off any sand, dirt, or pebbles that could damage delicate floors.
- Consult your flooring manufacturer's recommended instructions before vacuuming and caring for your flooring, rugs, and carpet. Some carpets will fuzz if a rotating brush bar is used when vacuuming. If this happens, we recommend vacuuming in bare floors mode and consulting with your flooring manufacturer.
- When vacuuming, certain carpets may generate small static charges in the clear bin™. These are entirely harmless and are not associated with the mains supply. To minimize any effect from this, do not put your hand or insert any object into the clear bin™ unless you have first emptied it and rinsed it out with cold water (see 'Clear bin™ cleaning' section).

CARPET SETTINGS AND BARE FLOORS

The vacuum cleaner will always default to the 'Med pile' setting when it is switched on and reclined. To change floor settings, press the button which best describes the floor type you are vacuuming whilst the vacuum cleaner is switched on. To vacuum with the brush bar turned off (eg. for bare floors or delicate rugs / carpets), ensure the 'Bare floor' mode is activated prior to reclining the vacuum cleaner. A constant white light indicates the chosen setting has been activated.

FOR THE BEST CLEANING PERFORMANCE DYSON RECOMMENDS THE FOLLOWING CLEANER SETTINGS:	
Setting	Carpet/floor type
Deep pile	Plush, multi-styles and shag
Medium pile	Level-loops, lighter plush
Short pile	Commercial grade carpets and Wilton styles
Bare floor	Delicate rugs/carpets, floorboards, tiling, laminates, vinyl, etc.

Always follow your floor covering manufacturer's recommended instructions. The brush bar on this vacuum cleaner can damage certain carpet types. If unsure, turn brush bar off in order to ensure proper operation.

HIGH-REACH CLEANING

⚠ CAUTION:

- Switch 'OFF' the vacuum cleaner before changing tools.
- Powerful suction can cause the hose to 'pull back' – please take care.
- Take extra care when vacuuming on stairs; do not work with the vacuum cleaner above you on the stairs. Do not put the vacuum cleaner on chairs, tables etc.
- Ensure the vacuum cleaner is in the upright position before using tools.

PLEASE NOTE:

- To release the wand, open the wand cap and pull the red tube until the wand releases from the vacuum cleaner. Tools can be attached to either the hose or wand.
- The brush bar will not rotate when the vacuum cleaner is in an upright position.
- Ensure wand cap is closed when not in use.

CLEAR BIN™ EMPTYING

⚠ CAUTION:

- Switch 'OFF' the vacuum cleaner and unplug before emptying the clear bin™.

PLEASE NOTE:

- Empty as soon as the dirt reaches the level of the MAX mark – do not overflow.
- To remove clear bin™, press red button under the red power button. Press same button again firmly to empty.
- Do not use the vacuum cleaner without the clear bin™ in place.
- Emptying into a bag is recommended for allergy sufferers.

CLEAR BIN™ CLEANING

- To remove clear bin™, press red button under the red power button. Press same button again firmly to empty.
- A grey release catch is exposed at back of clear bin™. Press and hold grey button while holding handle. Pull and twist cyclone away.
- To replace cyclone unit onto the clear bin™, align grey button at reverse and push together. Check ridge at front of clear bin™ has also clicked evenly into place.

⚠ CAUTION:

- Do not immerse the whole cyclone in water or pour water into the cyclones.
- Ensure the clear bin™ is completely dry before replacing.

PLEASE NOTE:

- Do not use detergents, polishes or air fresheners to clean the clear bin™.
- Do not put clear bin™ in a dishwasher.
- Clean the shroud with a cloth or dry brush to remove lint and dust.

WASHING YOUR FILTERS

DO THIS EVERY 3 MONTHS

⚠ CAUTION:

- Switch 'OFF' and unplug the vacuum before removing the filters.
- Ensure filters are completely dry before refitting to the vacuum cleaner.

PLEASE NOTE:

- This vacuum cleaner has two filters, located as shown. It is important to check your filters regularly and wash at least every 3 months according to instructions, to maintain performance.
- After washing please leave for 24 hours to dry completely.
- It is normal for filters to turn grey in color. The filters may require more frequent washing if vacuuming fine dust.
- Do not use detergents to clean the filters.
- Do not put the filters in a dishwasher, washing machine, tumble dryer, oven, microwave or near an open flame.

DIAGNOSTICS

Fingertip buttons	Action required
Red on/off button flashing only	Indicates an obstruction. The brush bar will automatically stop if it becomes obstructed. Please refer to the 'Clearing brush bar obstructions' section.
One white button flashing only	Re-set the carpet mode by selecting the button for a different floor type then re-selecting the button for the desired floor type. If this fails, check for obstructions by referring to the 'Clearing brush bar obstructions' section.
One white button flashing with red on/off button	Indicates an obstruction. Please refer to the 'Clearing brush bar obstructions' section.
Four flashing white buttons only	Re-set the vacuum cleaner by turning it off for at least 30 seconds then on again.
Four white lights flashing with red on/off button flashing	Re-set the vacuum cleaner by turning it off for at least 30 seconds then on again.

PLEASE NOTE: If you continue to experience problems, please contact the Dyson Helpline for further assistance.

LOOKING FOR BLOCKAGES

⚠ CAUTION:

- Switch 'OFF' and unplug the vacuum cleaner before checking for blockages. Failure to do so could result in personal injury.
- Please ensure the vacuum cleaner is upright and switched off before removing hose or airway inspection parts.
- Beware of sharp objects when clearing blockages.
- Refit all parts of the vacuum cleaner securely before using.

PLEASE NOTE:

- Clearing blockages is not covered by your vacuum cleaner's limited warranty.
- This vacuum cleaner is fitted with a thermal cut-out. If any part of the vacuum cleaner becomes blocked, it may overheat and automatically cut-out. Switch 'OFF' and unplug the vacuum cleaner and leave to cool down for at least 60 minutes before checking filters or for blockages.

CLEARING BRUSH BAR OBSTRUCTIONS

⚠ CAUTION:

- Switch 'OFF' and unplug the vacuum cleaner before clearing brush bar obstructions. Failure to do so could result in personal injury.
- Check for obstructions along the length of the brush bar and around the end mountings.
- Beware of sharp objects when clearing obstructions.
- Refit all parts of the vacuum cleaner securely before using.
- Depress the red on/off button to turn the vacuum on again.

PLEASE NOTE:

- Clearing brush bar obstructions is not covered by your vacuum cleaner's limited warranty.

DYSON CUSTOMER CARE

THANK YOU FOR CHOOSING TO BUY A DYSON VACUUM CLEANER.

If you have a question about your Dyson vacuum cleaner, please call the Dyson Helpline: 1-877-397-6622 with your serial number and details of where/when you bought the vacuum cleaner, or contact us via the Dyson website. The serial number can be found on the main body of the vacuum behind the clear bin™. Most questions can be solved over the phone or by email with one of our Dyson Helpline staff. If your vacuum cleaner needs a service, call the Dyson Helpline so we can discuss the available options. If your vacuum cleaner is under warranty, and the repair is covered, it will be repaired at no cost.

DYSON HELPLINE

Dyson Helpline: 1-877-397-6622 toll free, 6 days a week

PLEASE REGISTER AS A DYSON OWNER

Thank you for choosing to buy a Dyson vacuum cleaner. To help us ensure you receive prompt and efficient service, please register as a Dyson owner.

There are three ways to do this:

- online at www.dyson.com
 - by calling the Dyson Helpline: 1-877-397-6622 toll free
 - by completing and returning the attached Warranty Form to us by mail
- This will confirm ownership of your Dyson vacuum cleaner in the event of an insurance loss, and enable us to contact you if necessary.

LIMITED 5 YEAR WARRANTY

TERMS AND CONDITIONS OF THE DYSON 5 YEAR LIMITED WARRANTY:

WHAT IS COVERED

Your Dyson vacuum cleaner is warranted against original defects in material and workmanship for a period of five years from the date of purchase, when used for private household purposes in accordance with the Operating Manual. This warranty provides, at no extra cost to you, all labour and parts to place your vacuum cleaner in proper operating condition during the warranty period. This warranty is subject to the following terms:

WHAT IS NOT COVERED

Dyson Canada Limited shall not be liable for costs incurred as a result of:

- Vacuum cleaners purchased from an unauthorized dealer.
- Clearing blockages from your vacuum cleaner.
- Carpet damage due to use not in accordance with flooring manufacturer's instructions or failure to turn brush bar off when necessary.
- Use of parts not in accordance with the Operating Manual.
- Careless operation or handling, misuse and/or lack of maintenance or use not in accordance with the Operating Manual.
- External sources such as weather.
- Repairs or alterations carried out by unauthorized parties or agents.
- Use of the vacuum cleaner other than for normal domestic purposes within the country of purchase, e.g. for commercial or rental purposes.
- Use of parts and accessories other than those produced or recommended by Dyson Canada Limited.
- Normal wear and tear, including normal wearing parts such as belt, filter, brush bar, hose assembly, and power cord (or where external damage or abuse is diagnosed).
- Use of parts and accessories other than those produced or recommended by Dyson Canada Limited.

WARRANTY SERVICE

- Please fill out and return the Warranty Form, or register online at: www.dyson.com
- Before service can take place, the terms of the warranty require that you contact the Dyson Helpline with your model name/number, serial number, date and place of purchase. Please keep your purchase receipt in a safe place to ensure you have this information. The serial number is found on the vacuum's rating plate, which is on the main body of the vacuum cleaner behind the clear bin™.
- All work will be carried out by Dyson Canada Limited or their authorized agents.
- Any replaced defective parts will become property of Dyson Canada Limited.
- Service under this warranty will not extend the period of this warranty.
- If your vacuum cleaner is not functioning properly, please call the Dyson Helpline on 1-877-397-6622. Most issues can be rectified over the telephone by our trained Dyson Helpline staff. If this is not possible, Dyson Canada Limited will arrange for your vacuum cleaner to be repaired and returned in full working order at no extra cost to you.
- Any replaced defective parts will not extend the period of this warranty.

WARRANTY LIMITATIONS AND EXCLUSIONS

- Any representations, warranties or conditions relating to your vacuum cleaner, express or implied, statutory or otherwise, including but not limited to warranty of merchantability or warranty of fitness for a particular purpose, are limited to the duration of this warranty. This limitation is not allowed by some States or provinces and so this limitation may not apply to you.
- Your remedy for breach of this warranty is limited to the warranty service described above. Dyson Canada Limited will not be liable for any consequential damages or incidental damages you may incur in connection with your purchase and use of your vacuum cleaner. This limitation is not allowed by some States or provinces and so this limitation may not apply to you.
- This warranty gives you specific legal rights. You may also have other rights which vary by State or province.
- This warranty is not transferable.

SUMMARY OF COVER

- The warranty becomes effective at the date of purchase (or the date of delivery if this is later).
- You must provide proof of delivery/purchase before any work can be carried out on your vacuum cleaner. Without this proof, any work carried out will be chargeable to you. Please keep your receipt or delivery note.
- All work will be carried out by Dyson Canada Limited or its authorized agents.
- Any parts which are replaced will become the property of Dyson Canada Limited.
- The repair or replacement of your vacuum cleaner under warranty will not extend the period of warranty.
- The warranty provides benefits which are additional to and do not affect your statutory rights as a consumer.

IMPORTANT DATA PROTECTION INFORMATION

Your details will be held by Dyson Canada Limited or others on behalf of Dyson Canada Limited so that we can assist you more quickly in our Dyson Helpline. From time to time, Dyson Canada Limited may send you special offers and news of our latest innovations.

PRODUCT INFORMATION

Net weight: 9.35kg, (20.61lbs), Voltage: 120V 60Hz, Rated current: 12A

Please note: Small details may vary from those shown.

This product is protected by the following intellectual property rights:

PATENT/PATENT APPLICATION NUMBERS:

EP 1119282; US 6,519,807; EP 1268076; US 6835222; EP 1361813; US 7290309; EP 1370172; EP 6991666; EP 1361812; US 7278181; EP 1361814; US 7018439; EP 1361815; US 6974488; EP 04768834.6; US 2007-0079579; US 2008-0105510; WO 2005/107553; EP 05757418.8; US 11/631,109; GB 241296; EP 05757445.1; US 11/632,851; GB 2422093; EP 06700228.7; US 2008-000004; GB 2440718; WO 2008/017803; GB 2440716; WO 2008/017806; GB 2440515; WO 2008/015377; GB 2440717; WO 2008/017804; WO 2008/017801; GB 2440514; WO 2008/015378; GB 2440715; WO 2008/017802.

Equivalent patents, registered designs and applications exist in other countries.

ASSEMBLAGE

- Placer l'aspirateur bien droit et faire glisser le tuyau souple dans les guides à l'arrière de l'aspirateur et bien l'enclencher.
- Insérer le tube-rallonge dans l'extrémité supérieure du tuyau souple jusqu'à ce qu'un clic se fasse entendre.
- Enclencher la poignée du tube-rallonge sur le dessus de l'aspirateur.
- S'assurer que le tuyau souple est bien droit et faire glisser le tube-rallonge dans ce dernier.
- Placer les accessoires sur l'aspirateur et rembobiner le cordon dans le sens contraire des aiguilles d'une montre autour des crochets et sécuriser avec une pince.

UTILISATION DE VOTRE ASPIRATEUR DYSON

Rembobiner le cordon et insérer la fiche dans un support approprié.
Tenir la tête de l'aspirateur en bas avec le pied et tirer la poignée vers le bas.
Pour mettre l'aspirateur en marche ou l'éteindre, appuyer sur le bouton situé à l'avant de la poignée.

⚠ ATTENTION :

- Ne pas utiliser cet aspirateur ni l'entreposer dans un lieu où la température ambiante est inférieure à 0°C (32°F). S'assurer que l'aspirateur est à la température ambiante avant de le faire fonctionner.
- Ne pas laisser une personne utiliser l'aspirateur si elle est incapable de le faire fonctionner correctement.
- Nous déconseillons l'utilisation d'une rallonge électrique.
- Toujours mettre l'aspirateur hors tension et le débrancher avant d'effectuer tout entretien.
- Lorsque vous redressez l'aspirateur, assurez-vous que le tube-rallonge et le collecteur transparent^{MC} sont à la verticale.
- S'assurer que le cyclone est bien enclenché sur l'aspirateur. Ne pas appuyer sur le bouton de déclenchement du cyclone ou secouer l'aspirateur durant le transport car il pourrait tomber et causer des blessures.
- Ranger l'aspirateur à l'intérieur. Ranger l'aspirateur après chaque utilisation et enrouler le cordon de façon sécuritaire afin de prévenir toute chute accidentelle.
- Ne pas utiliser à l'extérieur ou sur des surfaces mouillées ou pour aspirer de l'eau ou tout autre liquide – un choc électrique pourrait se produire.
- Ne lubrifier aucune pièce ni effectuer d'entretien ou de réparation autres que ceux indiqués dans ce guide ou recommandés par le service d'assistance téléphonique Dyson.

VEUILLEZ PRENDRE NOTE :

- Cet aspirateur est conçu pour un usage domestique seulement.
- Les poussières fines telles que la poussière de plâtre ou de farine ne devraient être aspirées qu'en petites quantités.
- Ne pas utiliser l'aspirateur pour ramasser des objets durs et pointus, des petits jouets, des épingles, des trombones, etc. Ils peuvent endommager l'aspirateur.
- L'aspirateur peut être utilisé à l'intérieur d'un garage seulement lorsque les accessoires de la trousse de nettoyage pour voiture de Dyson, modèle 08909, sont utilisés.
- En cas d'utilisation dans un garage, veiller à bien nettoyer la semelle et les roues de l'aspirateur à l'aide d'un linge sec après l'utilisation pour enlever tout le sable, la saleté ou les cailloux qui pourraient endommager les revêtements de sol délicats.
- Consulter les instructions du fabricant avant de passer l'aspirateur sur un plancher, un tapis ou une moquette. Des peluches se formeront sur certaines moquettes si une brosse rotative est utilisée. Si cela se produit, nous vous recommandons de passer l'aspirateur en mode de plancher nu, et de consulter le fabricant de votre plancher.
- Lorsque vous passez l'aspirateur, certains tapis peuvent générer de petites charges électrostatiques dans le collecteur transparent^{MC}. Ces charges sont complètement inoffensives et ne sont pas liées à l'alimentation électrique. Pour en réduire les effets au minimum, ne pas placer votre main ou insérer d'objet dans le collecteur transparent^{MC} avant de l'avoir complètement vidé et rincé à l'eau froide (se référer à la section « Nettoyage du collecteur transparent^{MC} »).

RÉGLAGES EN FONCTION DE L'ÉPAISSEUR DES TAPIS ET PLANCHERS NUS

Par défaut, l'aspirateur est toujours réglé à Med pile (Épaisseur moyenne) lorsqu'il est sous tension et en position inclinée. Pour changer les modes de réglage, appuyer sur le bouton correspondant au type de sol traité pendant que l'aspirateur est sous tension.

Pour passer l'aspirateur avec la brosse désactivée (c.-à-d. sur un plancher nu ou des moquettes et tapis délicats), s'assurer que le mode « Plancher nu » est activé avant d'incliner l'aspirateur.

Un voyant blanc allumé en continu indique que le mode choisi a été activé.

POUR OBTENIR LA MEILLEURE PERFORMANCE DE NETTOYAGE, DYSON RECOMMANDE LES MODES DE RÉGLAGE SUIVANTS :	
Mode de réglage	Tapis/type de sol
Fort épaisseur	Fin peluche, tapis à texture à multi-styles et tapis à poils longs
Épaisseur moyenne	Tapis à texture unique, fini peluche léger
Petite épaisseur	Tapis de catégorie commerciale et textures Wilton
Plancher nu	Tapis/moquettes délicats, lames à parquets, carrelage, lamellés, résine vinylique

Suivez toujours les instructions recommandées par le fabricant du revêtement de plancher. La brosse de cet aspirateur peut endommager certains types de tapis. En cas de doute, désactivez la brosse dans le but de garantir un fonctionnement approprié.

NETTOYAGE DES ENDROITS EN HAUTEUR

⚠ ATTENTION :

- Mettre l'aspirateur hors tension avant de changer d'accessoire.
- La puissance de l'aspiration peut « replier » le tuyau souple; faire preuve de prudence.
- Faire très attention pendant le nettoyage d'un escalier; ne pas placer l'aspirateur sur une marche d'escalier située plus haute que vous. Ne pas placer l'aspirateur sur une chaise, une table, etc.
- Mettre l'aspirateur bien à la verticale avant d'utiliser un accessoire quelconque.

VEUILLEZ PRENDRE NOTE :

- Pour déloger le tube-rallonge, ouvrir l'embout de ce dernier et tirer sur le tube rouge jusqu'à ce que celui-ci se dégage de l'aspirateur. Les accessoires peuvent être fixés au tuyau ou au tube-rallonge.
- La brosse ne tourne pas lorsque l'aspirateur se trouve en position verticale.
- Vérifier que l'embout du tube-rallonge est bien fermé, lorsque que vous ne l'utilisez pas.

COLLECTEUR TRANSPARENT^{MC}

⚠ ATTENTION :

- Éteindre l'aspirateur et le débrancher avant de vider le collecteur transparent^{MC}.

VEUILLEZ PRENDRE NOTE :

- Vider le collecteur dès que la poussière atteint la marque maximale - Ne pas la dépasser.
- Pour retirer le collecteur transparent^{MC}, appuyer sur le bouton rouge situé sous le bouton interrupteur rouge. Appuyer de nouveau fermement sur le même bouton pour vider le collecteur transparent^{MC}.
- Ne pas utiliser l'aspirateur sans le collecteur transparent^{MC}.
- Dans le cas des personnes souffrant d'allergies, nous conseillons de vider le contenu du collecteur dans un sac.

NETTOYAGE DU COLLECTEUR TRANSPARENT^{MC}

- Pour retirer le collecteur transparent^{MC}, appuyer sur le bouton rouge situé sous le bouton interrupteur rouge. Appuyer de nouveau fermement sur le même bouton pour vider le collecteur transparent^{MC}.
- Un mécanisme de déclenchement, de couleur grise, est situé à l'arrière du collecteur transparent^{MC}. Appuyer sur le bouton gris et le maintenir enfoncé tout en tenant la poignée. Pour retirer le cyclone, lui faire effectuer une rotation.
- Pour replacer le cyclone sur le collecteur transparent^{MC}, procéder de manière inverse en alignant le cyclone sur le bouton gris et appuyer sur ce dernier pour l'enclencher. Vérifier si l'arête située à l'avant du collecteur transparent^{MC} est elle aussi bien enclenchée.

⚠ ATTENTION :

- Ne pas plonger le cyclone dans de l'eau et ne pas verser d'eau à l'intérieur.
- S'assurer que le collecteur transparent^{MC} est entièrement sec avant de le remettre en place.

VEUILLEZ PRENDRE NOTE :

- Ne pas utiliser de détergent, de cire ni de désodorisant pour laver le collecteur transparent^{MC}.
- Ne pas mettre le collecteur transparent^{MC} dans le lave-vaisselle.
- Nettoyer l'enveloppe à l'aide d'un linge sec ou d'une brosse pour enlever les peluches et la poussière.

LAVER VOS FILTRES

TOUS LES 3 MOIS

⚠ ATTENTION :

- Éteindre et débrancher l'aspirateur avant de retirer les filtres.
- S'assurer que les filtres sont complètement secs avant de les replacer dans l'aspirateur.

VEUILLEZ PRENDRE NOTE :

- Cet aspirateur est muni de deux filtres, aux emplacements indiqués dans l'illustration. Il est important de vérifier les filtres régulièrement et de les laver au moins tous les 3 mois, conformément aux instructions pour que l'aspirateur continue de bien fonctionner.
- Après les avoir lavés, les laisser sécher complètement pendant 24 heures.
- Il est normal que les filtres deviennent gris. Les filtres peuvent nécessiter un lavage plus fréquent si on se sert de l'aspirateur pour aspirer des poussières fines.
- Ne pas utiliser de détergent pour laver les filtres.
- Ne pas mettre les filtres dans un lave-vaisselle, une machine à laver le linge, une sècheuse, un four, un micro-ondes ou les placer près d'une flamme vive.

DIAGNOSTICS

Boutons à actionnement au doigt	Mesures à prendre
Seulement le bouton rouge Marche/Arrêt clignote	Indique qu'il y a une obstruction. La brosse s'arrête automatiquement si elle est obstruée. Veuillez consulter la section « Élimination des obstructions sur la brosse ».
Seulement un bouton blanc clignote	Régler de nouveau le mode tapis en sélectionnant le bouton correspondant à un type de sol différent, puis sélectionner à nouveau le bouton correspondant au type de sol souhaité. En cas d'échec, vérifier la présence d'obstructions en se reportant à la section « Élimination des obstructions sur la brosse ».
Un bouton blanc clignote simultanément avec le bouton rouge Marche/Arrêt	Indique qu'il y a une obstruction. Veuillez consulter la section « Élimination des obstructions sur la brosse ».
Seulement quatre boutons blancs clignent	Redémarrer l'aspirateur; pour cela, le mettre hors tension pendant 30 secondes au moins puis le remettre sous tension.
Quatre boutons blancs clignent simultanément avec le bouton rouge Marche/Arrêt	Redémarrer l'aspirateur; pour cela, le mettre hors tension pendant 30 secondes au moins puis le remettre sous tension.

REMARQUE : Si le problème persiste, communiquez avec le service d'assistance téléphonique Dyson pour obtenir de l'aide.

VÉRIFIER LA PRÉSENCE D'OBSTRUCTIONS

⚠ ATTENTION :

- Mettre l'aspirateur hors tension et le débrancher avant de vérifier la présence d'obstructions. Ne pas le faire peut entraîner des blessures.
- S'assurer que l'aspirateur est en position verticale et éteint avant de retirer le tuyau souple ou les éléments en U.
- Faire attention aux objets pointus lorsque vous retirez des obstructions.
- Bien replacer toutes les pièces de l'aspirateur avant de l'utiliser.

VEUILLEZ PRENDRE NOTE :

- L'élimination des obstructions n'est pas couverte par la garantie limitée de l'aspirateur.
- Cet aspirateur est doté d'un protecteur thermique à réenclenchement automatique. Si une obstruction se forme dans n'importe quelle partie de l'aspirateur, ce dernier peut surchauffer et s'arrêter automatiquement. Mettre l'aspirateur hors tension et le débrancher; le laisser refroidir pendant au moins 60 minutes avant de vérifier les filtres ou la présence d'obstructions.

ÉLIMINATION DES OBSTRUCTIONS SUR LA BROSSSE

⚠ ATTENTION :

- Éteindre et débrancher l'aspirateur avant de retirer les obstructions sur la brosse. Ne pas le faire peut entraîner des blessures.
- Vérifier la présence d'obstructions sur la brosse et sur les supports latéraux.
- Faire attention aux objets pointus au moment de l'élimination des obstructions.
- Bien replacer toutes les pièces de l'aspirateur avant de l'utiliser.
- Appuyer sur le bouton rouge Marche/Arrêt pour remettre l'aspirateur sous tension.

VEUILLEZ PRENDRE NOTE :

- L'élimination des obstructions n'est pas couverte par la garantie limitée de l'aspirateur.

ASSISTANCE À LA CLIENTÈLE DYSON

MERCI D'AVOIR CHOISI D'ACHETER UN ASPIRATEUR DYSON

Si vous avez des questions sur votre aspirateur Dyson, communiquez avec le service d'assistance téléphonique de Dyson en composant le 1-877-397-6622. Ayez en main votre numéro de série et les détails relatifs à l'achat de l'appareil ou communiquez avec nous par l'entremise du site Web de Dyson. Le numéro de série se trouve sur le corps principal de l'aspirateur, derrière le collecteur transparent^{SMC}. La plupart des problèmes peuvent être réglés au téléphone ou par courriel avec l'aide d'un de nos représentants au service d'assistance téléphonique. Si votre aspirateur nécessite une réparation, composez le numéro de la ligne d'assistance téléphonique de Dyson. Nous vous présenterons les choix qui s'offrent à vous. Si l'aspirateur est sous garantie et que la réparation est couverte par cette dernière, votre aspirateur sera réparé sans frais.

SERVICE D'ASSISTANCE TÉLÉPHONIQUE DE DYSON

Service d'assistance téléphonique de Dyson : Par téléphone, en composant le numéro sans frais 1-877-397-6622, disponible six jours par semaine.

VEUILLEZ VOUS ENREGISTRER EN TANT QUE PROPRIÉTAIRE D'UN ASPIRATEUR DYSON

Merci d'avoir choisi d'acheter un aspirateur Dyson. Afin de nous aider à vous offrir un service rapide et efficace, veuillez prendre le temps d'enregistrer votre achat auprès de nous. Vous pouvez le faire de trois façons :

- en ligne à l'adresse www.dyson.com
- en composant le numéro du service d'assistance à la clientèle de Dyson : 1-877-397-6622 (sans frais);
- en remplissant le formulaire de garantie ci-joint et en nous le renvoyant par voie postale. Ceci vous permet de confirmer que vous êtes le propriétaire de votre aspirateur en cas de sinistre et nous permet de communiquer avec vous au besoin.

GARANTIE LIMITÉE DE CINQ ANS

CONDITIONS DE LA GARANTIE LIMITÉE DYSON DE CINQ ANS

CE QUI EST COUVERT

Votre aspirateur Dyson est garanti contre tout défaut de matériau et de main-d'œuvre pendant une période de cinq ans à compter de la date d'achat, en usage domestique normal, conformément au guide d'utilisation. Cette garantie vous offre, sans frais, les pièces et la main-d'œuvre nécessaires au bon fonctionnement de l'aspirateur durant la période de garantie. La garantie est soumise aux conditions suivantes :

CE QUI N'EST PAS COUVERT

Dyson Canada Limited ne saurait être tenue responsable des frais découlant :

- d'un aspirateur acheté auprès d'un détaillant non autorisé;
- de l'élimination des obstructions dans votre aspirateur;
- des dommages aux tapis causés par le non-respect des instructions du fabricant du revêtement de plancher ou l'omission de désactiver la brosse au besoin;
- de l'utilisation de pièces non recommandées par le guide d'utilisation;
- d'une utilisation ou manipulation négligente, d'une mauvaise utilisation, d'un manque d'entretien ou d'un emploi non conforme au guide d'utilisation;
- de facteurs externes, comme les intempéries;
- de réparations ou modifications effectuées par des parties ou représentants non autorisés;
- d'une utilisation de l'aspirateur à des fins autres qu'un usage domestique normal, c'est-à-dire à des fins commerciales ou de location;
- d'une utilisation de pièces et d'accessoires autres que ceux fournis ou recommandés par Dyson Canada Limited;
- de l'usure normale, y compris l'usure normale des pièces telles que la courroie, le filtre, la brosse, le tuyau souple et le cordon d'alimentation (ou si l'on constate des dommages externes);
- d'une utilisation de pièces et d'accessoires autres que ceux fournis ou recommandés par Dyson Canada Limited.

RÉPARATIONS SOUS GARANTIE

- Veuillez remplir et retourner le formulaire de garantie ou enregistrer votre produit en ligne à l'adresse www.dyson.com
- Les conditions de la garantie stipulent que vous devez, avant que soit faite la réparation, composer le numéro du service d'assistance téléphonique de Dyson en ayant en main le nom ou le numéro de modèle de votre appareil, le numéro de série, la date et l'endroit où vous avez effectué l'achat. Veuillez conserver le coupon de caisse dans un endroit sûr afin de ne pas perdre ces renseignements. Le numéro de série figure sur la plaque signalétique apposée sur le corps principal de l'aspirateur, derrière le collecteur transparent^{SMC}.
- Toutes les réparations seront effectuées par Dyson Canada Limited ou un de ses représentants autorisés.
- Toute pièce défectueuse remplacée devient la propriété de Dyson Canada Limited.
- Les réparations effectuées sous garantie ne se prolongeront pas au-delà de la période de la présente garantie.
- Si votre aspirateur ne fonctionne pas correctement, communiquez avec le service d'assistance téléphonique de Dyson en composant le 1-877-397-6622. La plupart des problèmes peuvent être réglés au téléphone avec l'aide d'un membre du personnel qualifié du service d'assistance téléphonique de Dyson. Si ce n'est pas possible, Dyson Canada Limited prendra les mesures nécessaires pour que votre aspirateur soit réparé et retourné en parfait état de marche sans aucuns frais supplémentaires.
- Le remplacement de toute pièce défectueuse effectué sous garantie ne se prolongera pas au-delà de la période de la présente garantie.

RESTRICTIONS ET EXCLUSIONS DE GARANTIE

- Toute déclaration, garantie ou condition relative à votre aspirateur, implicite ou explicite, en vertu d'une loi ou de tout autre règlement, incluant, sans s'y limiter, la garantie de la qualité marchande ou de convenance à un usage particulier, est limitée à la durée de la présente garantie. Cette limitation n'est pas permise dans certaines provinces et pourrait ne pas s'appliquer à vous.
- Le recours dont vous disposez eu égard à la violation de la présente garantie est limité aux stipulations décrites ci-dessus. Dyson Canada Limited décline toute responsabilité pour tout dommage consécutif ou accessoire subi lié à l'achat de l'aspirateur ou de son utilisation. Cette limitation n'est pas permise dans certaines provinces et pourrait ne pas s'appliquer à vous.
- La présente garantie vous confère des droits légaux particuliers. Vous pouvez aussi avoir d'autres droits selon la province dans laquelle vous résidez.
- Cette garantie est incessible.

RÉSUMÉ DE LA GARANTIE

- La garantie entre en vigueur à la date d'achat (ou à la date de livraison, si cette dernière est ultérieure).
- Vous devez fournir une preuve d'achat ou de livraison pour toute réparation effectuée sur votre aspirateur. Sans présentation de cette preuve, toute réparation effectuée vous sera facturée. Veuillez conserver votre reçu ou bon de livraison.
- Toutes les réparations seront effectuées par Dyson Canada Limited ou un de ses représentants autorisés.
- Toute pièce défectueuse remplacée devient la propriété de Dyson Canada Limited.
- La réparation ou le remplacement de votre aspirateur pendant la période de garantie n'allonge pas la période de ladite garantie.
- La présente garantie offre des avantages supplémentaires et n'a aucune incidence sur vos droits prévus par la loi à titre de consommateur.

RENSEIGNEMENTS IMPORTANTS SUR LA PROTECTION DES DONNÉES

Vos renseignements personnels seront conservés par Dyson Canada Limited ou d'autres sociétés au nom de Dyson Canada Limited afin que nous puissions vous aider plus rapidement dans le cadre de notre service d'assistance téléphonique. De temps à autre, Dyson Canada Limited peut vous envoyer des offres spéciales et des nouvelles au sujet de ses plus récentes innovations.

RENSEIGNEMENTS SUR LE PRODUIT

Poids net : 9,35kg, (20,61lbs); tension : 120 V 60 Hz; courant maximal : 12 A

Veillez prendre note : Certains petits détails peuvent varier de ceux illustrés.

Ce produit est protégé par les droits de propriété intellectuelle suivants :

NUMÉROS DE BREVET OU DE DEMANDE DE BREVET

EP 1119282; US 6,519,807; EP 1268076; US 6835222; EP 1361813; US 7290309; EP 1370172; US 6991666; EP 1361812; US 7278181; EP 1361814; US 7018439; EP 1361815; US 6974488; EP 04768834.6; US 2007-0079579; US 2008-0105510; WO 2005/107553; EP 05757418.8; US 11/631,109; GB 241296; EP 05757445.1; US 11/632,851; GB 2422093; EP 06700228.7; US 2008-000004; GB 2440718; WO 2008/017803; GB 2440716; WO 2008/017806; GB 2440515; WO 2008/015377; GB 2440717; WO 2008/017804; WO 2008/017801; GB 2440514; WO 2008/015378; GB 2440715; WO 2008/017802.

Des brevets, demandes de brevets et des modèles déposés équivalents existent dans d'autres pays.

IMPORTANT!

WASH FILTERS LAVER LES FILTRES



Wash filters with cold water at least every 3 months.
Laver les filtres à l'eau froide au moins tous les 3 mois.



Dyson Customer Care
1-877-397-6622
Toll free, 6 days a week

Assistance à la clientèle Dyson
1-877-397-6622
Sans frais, 6 jours par semaine

Please take a few moments to answer our questions. They will help us develop new products for the future.

Veillez prendre quelques instants pour répondre à nos questions. Vos réponses nous aideront à mettre au point de nouveaux produits.

1. Where did you first hear of Dyson vacuum cleaners?

- TV / Radio
- Friends / Family
- Website
- In-store
- Newspaper / Magazine
- Other

2. Why did you decide to buy a Dyson vacuum cleaner? Check all that apply.

- Compact storage
- Cleaning performance
- Advanced technology
- Product features
- Style / Design
- Special offer / Price
- Warranty
- Other

3. What brand was your last vacuum cleaner?

- Dyson
- Bissell
- Dirt Devil
- Electrolux
- Eureka
- Euro-pro
- Hoover
- Kenmore
- Miele
- Panasonic
- Shark
- Other

4. Does anyone in your household suffer from dust allergies or asthma? Check all that apply.

- None
- Dust allergy
- Pet allergy
- Asthma
- Pollen allergy
- Other

5. Do you have any pets? Check all that apply.

- None
- Dog
- Cat
- Other

6. To which age group do you belong?

- 16-24
- 25-34
- 35-44
- 45-54
- 55-64
- 65+

7. What type of home do you live in?

- Single family home
- Town home
- Condominium
- Apartment
- Other

8. Which range best describes your annual household income?

- \$15,000 – \$25,999
- \$26,000 – \$35,999
- \$36,000 – \$45,999
- \$46,000 – \$59,000
- \$60,000 – \$79,000
- \$80,000 – \$99,999
- \$100,000 – \$149,999
- \$150,000 +

1. Où avez-vous entendu parler des aspirateurs Dyson pour la première fois?

- Télévision / Radio
- Ami(e)s / Famille
- Site web
- En magasin
- Autre journal / Magazine
- Autre

2. Pourquoi avoir décidé d'acheter un aspirateur Dyson? Cochez toutes les réponses qui s'appliquent.

- Rangement compact
- Rendement du nettoyage
- Technologie avancée
- Caractéristiques du produit
- Style / Design
- Offre / Prix spécial
- Garantie
- Autre

3. De quelle marque était votre aspirateur précédent?

- Dyson
- Bissell
- Dirt Devil
- Electrolux
- Eureka
- Euro-pro
- Hoover
- Kenmore
- Miele
- Panasonic
- Shark
- Autre

4. Quelqu'un dans votre domicile souffre-t-il d'allergies ou d'asthme? Cochez tout ce qui s'applique.

- Personne n'en souffre
- Allergie à la poussière
- Asthme
- Allergie aux animaux domestiques
- Allergie aux pollens
- Autre

5. Vous avez des animaux domestiques? Cochez tout ce qui s'applique.

- Aucun
- Chien
- Chat
- Autre

6. À quel groupe d'âge appartenez-vous?

- 16-24
- 25-34
- 35-44
- 45-54
- 55-64
- 65+

7. Dans quel type d'habitation résidez-vous?

- Maison unifamiliale
- Maison en rangée
- Copropriété
- Appartement
- Autre

8. Dans quelle tranche se situe votre revenu familial?

- 15 000 – 25 999 \$
- 26 000 – 35 999 \$
- 36 000 – 45 999 \$
- 46 000 – 59 000 \$
- 60 000 – 79 000 \$
- 80 000 – 99 999 \$
- 100 000 – 149 999 \$
- 150 000 \$ et plus



Free Manuals Download Website

<http://myh66.com>

<http://usermanuals.us>

<http://www.somanuals.com>

<http://www.4manuals.cc>

<http://www.manual-lib.com>

<http://www.404manual.com>

<http://www.luxmanual.com>

<http://aubethermostatmanual.com>

Golf course search by state

<http://golfingnear.com>

Email search by domain

<http://emailbydomain.com>

Auto manuals search

<http://auto.somanuals.com>

TV manuals search

<http://tv.somanuals.com>