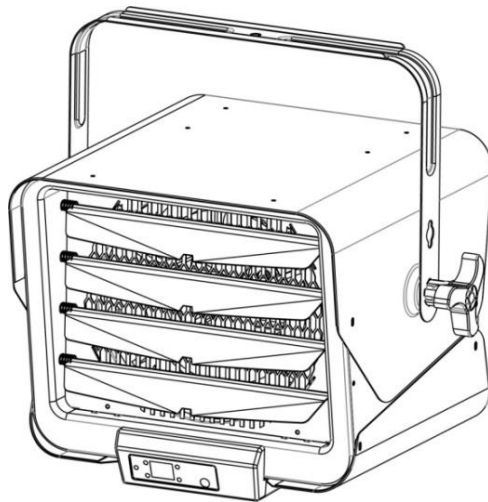




**7,500W/240V WALL / CEILING MOUNTED  
GARAGE HEATER**

**OWNER'S MANUAL**



Model: DR-975  
7500W 240V 60Hz

**IMPORTANT INSTRUCTIONS  
READ & SAVE**

# TABLE OF CONTENTS

Important Instructions.....	3
Installation Instructions.....	5
Specifications and Wiring Diagram .....	8
Parts of the Heater.....	9
Operating Instructions.....	10
Maintenance and Cleaning.....	12
Troubleshooting.....	13

# IMPORTANT INSTRUCTIONS

PLEASE READ ALL INSTRUCTIONS BEFORE USING THIS HEATER

**NOTE: There may be a trace of smoke or odor when unit is first operated. Don't be alarmed. This indicates that a drop of oil fell on the heating coil during the manufacturing process. It will quickly evaporate and should not re-occur.**

**Make sure that the room in which the appliance is located is well ventilated during this operation. It is normal for the appliance to emit small cracking sounds when you turn it on for the first time. Do not be alarmed.**

WHEN USING ELECTRICAL APPLIANCES, BASIC PRECAUTIONS SHOULD ALWAYS BE FOLLOWED TO REDUCE RISK OF FIRE, ELECTRICAL SHOCK, AND INJURY TO PERSONS OR PROPERTY, INCLUDING THE FOLLOWING:

- 1) Read all instructions before using this heater.
- 2) This heater is hot when in use. To avoid burns, do not let bare skin touch hot surfaces. Keep combustible materials, such as furniture, pillows, bedding, papers, clothes, and curtains at least 3 feet (0.9 m) from the front of the heater and keep such materials away from the sides and rear.
- 3) Extreme caution is necessary when any heater is used by or near children or disabled persons and whenever the heater is left operating and unattended.
- 4) Always switch off the heater when not in use.
- 5) Do not operate any heater after the heater malfunctions or has been dropped or damaged in any manner. Disconnect power at the circuit breaker and have heater inspected by a certified/licensed electrician before reusing.
- 6) Do not use outdoors.
- 7) To disconnect heater, turn off power to heater circuit at main disconnect panel.
- 8) This heater should be installed at least 6 feet (in the United States) or 2.4 meters (in Canada) from the floor and no closer than 1 foot (0.3 m) from any adjacent surfaces or walls. Keep at least 1 foot (0.3 m) from the back wall, regardless of whether the wall mount bracket is used.

- 9) Do not insert or allow foreign objects to enter any ventilation or exhaust opening as this may cause an electric shock or fire and potentially damage the heater.
- 10) To prevent a possible fire, do not block air intakes or exhaust in any manner.
- 11) A heater has hot and arcing or sparking parts inside. To reduce the risk of fire, do not use in areas where gasoline, paint, or flammable vapors and liquids are used or stored.
- 12) Use this heater only as described in this manual. Any other use not recommended by the manufacturer may cause fire, electric shock, or injury to persons.
- 13) This product must be installed by a certified/licensed electrician, in accordance with applicable local codes.
- 14) For supply cables, use 8 AWG (8.3 mm<sup>2</sup>) copper wires.
- 15) This heater includes a visual alarm to warn that parts of the heater are getting excessively hot. If the alarm flashes, immediately turn the heater OFF and inspect for any objects on or adjacent to the heater that may have blocked the airflow or otherwise caused high temperatures to have occurred.  
DO NOT OPERATE THE HEATER WITH THE ALARM FLASHING. To reset the heater, switch the **CIRCUIT BREAKER** OFF and wait five to ten minutes for the heater to cool down before turning the heater on again.
- 16) This appliance is not intended for use by persons (including children) with reduced physical, sensory, or mental capabilities, or lack of experience and knowledge, unless they have been given supervision or instruction regarding use of the appliance by a person responsible for their safety. Children should be supervised to ensure that they do not play with the appliance.

**CAUTION – HIGH TEMPERATURE, RISK OF FIRE. Keep electrical cords, drapery, furnishings, and other combustibles at least 3 feet (0.9 m) from the front of the heater and away from the sides and rear.**

**SAVE THESE INSTRUCTIONS**

# INSTALLATION INSTRUCTIONS

**WARNING:** All wiring must be installed by a certified/licensed electrician.

The heater must be grounded in accordance with applicable national and local building codes.

**WARNING:** To reduce the risk of fire, do not store or use gasoline or other flammable vapors and liquids in the vicinity of the heater.

**All wiring procedures and connections should be in accordance with applicable national and local codes.**

**NOTE: Compatible with a 240V Line Voltage Double Pole Wall Thermostat. Must be installed by a certified/licensed electrician.**

## **Before installation:**

Disconnect the main supply connection.

Supply cables should be 8 AWG (8.3 mm<sup>2</sup>) copper wires.

The heater must be connected to an individual branch circuit protected by a 40 Amp circuit breaker only.

Supply cables must be equipped with a dual pole circuit breaker rating at least 240V 40A/pole as main cutoff switch of power connection to the heater.

**CAUTION:** HIGH TEMPERATURE, RISK OF FIRE. Keep electrical cords, drapery, furnishings, and other combustibles at least 3 feet (0.9 m) from the front of the heater and away from the sides and rear.

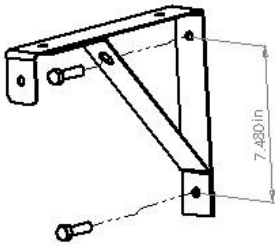
**WARNING:** To reduce the risk of fire, do not store or use gasoline or other flammable vapors and liquids in the vicinity of the heater.

## **INSTALLATION INSTRUCTIONS:**

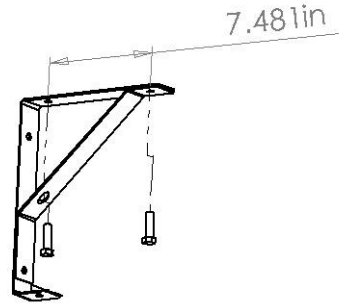
1. This heater should be installed at least 6 feet (in the United States) or 2.4 meters (in Canada) from the floor and no closer than 1 foot (0.3 m) from any adjacent surfaces or walls. This minimum distance must be maintained.
2. Do not install closer than 1 foot (0.3 m) from any adjacent surfaces

or walls.

3. Keep at least 1 foot (0.3 m) from the back wall, regardless of whether the wall mount bracket is used.
4. Mark the drill-hole positions in the wall or ceiling for the mounting bracket.
5. Drill the required holes with diameter fitted to the anchor provided for positioning the wall mount bracket.
6. Insert the anchors.
7. Attach the wall mount bracket to the wall or ceiling and secure with mounting screws.

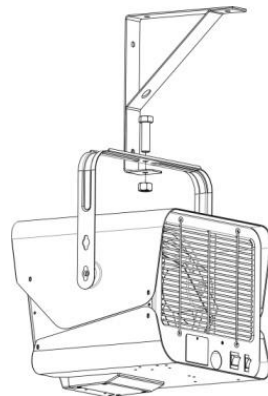
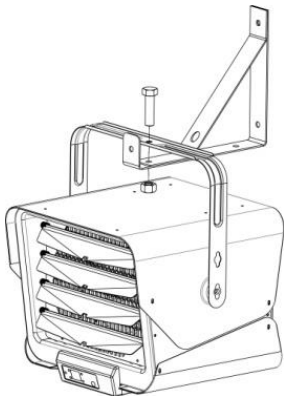


WALL MOUNT

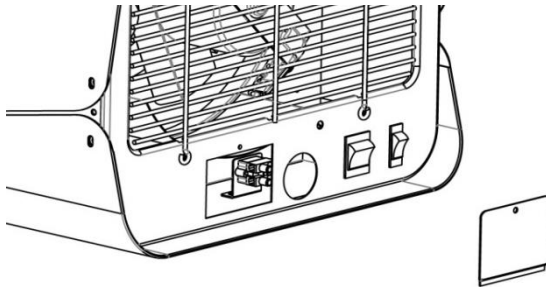


CEILING MOUNT

8. Hook the unit to the wall mount bracket and let the unit hang from the bracket.
9. Insert the screw through the mounting bracket and the heater handle. Tighten the nut.



10. Remove the wiring compartment cover in the rear of the heater by loosening the screw.

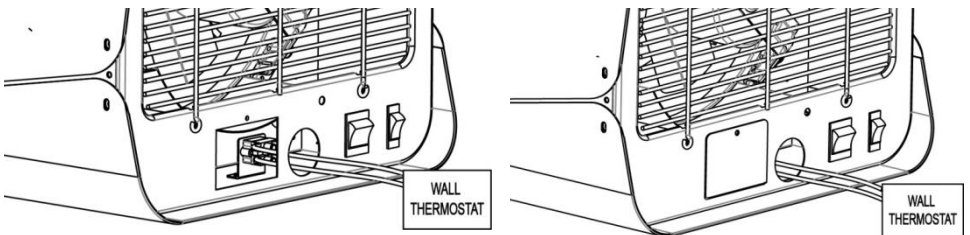


11. Run the electrical power supply cable in flexible conduit and connect to the wiring compartment via the knock-out at rear of the heater.

12. Make the connections properly with connectors which are suitable for the conductor size, including ground wires. After making the connections, arrange the pigtail leads of unit and power supply wires in the wiring compartment.

13. You can use the internal or wall thermostat. If you use the internal thermostat, select INTERNAL THERMOSTAT on the rocker switch.

14. If you wish to use a wall thermostat (not included), select WALL THERMOSTAT on the rocker switch. Then, insert the two wall thermostat wires to Terminal A inside the heater. Make sure to tighten the screws in Terminal A.



15. Replace the wiring compartment cover and lock in place with the screw.

# SPECIFICATIONS

## 7,500W/240V WALL / CEILING MOUNTED GARAGE HEATER

Model: DR-975

Volt: 240 V

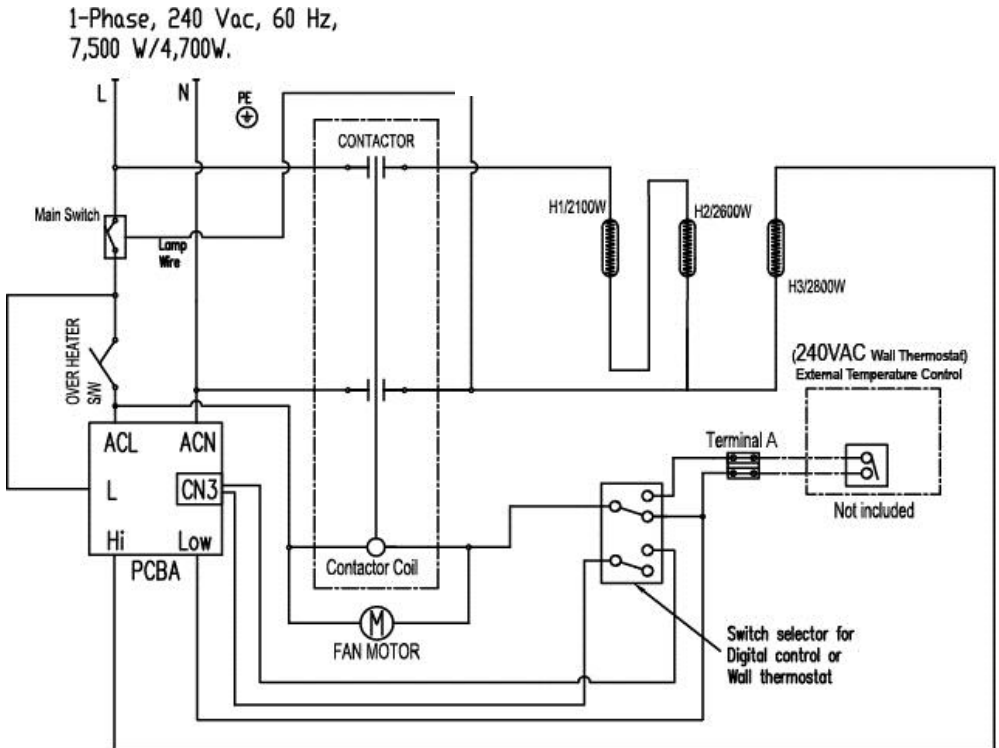
Watts: 7500 W

Frequency: 60 Hz

BTU/h: 25597

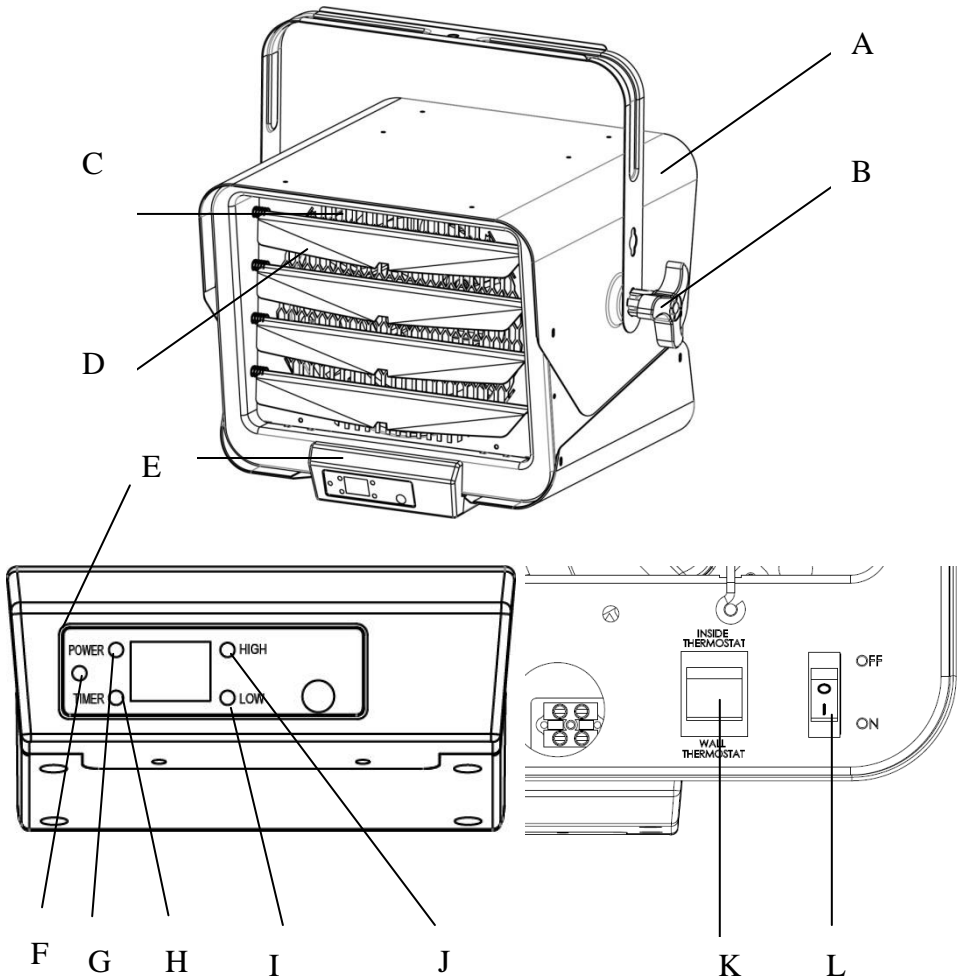
Recommended Heating Capacity: 1.25 watts / ft<sup>3</sup> (0.03m<sup>3</sup>)

Wiring diagram:





# PARTS OF THE HEATER



- |                             |                                    |
|-----------------------------|------------------------------------|
| A. Upper Enclosure          | G. Power Indicator                 |
| B. Tilt Adjustable Knob     | H. Timer Indicator                 |
| C. Front Exhaust Grill      | I. Low Indicator                   |
| D. Louver for air direction | J. High Indicator                  |
| E. Control Panel            | K. Internal/Wall Thermostat Switch |
| F. Alarm LED                | L. ON/OFF Switch                   |

# OPERATING INSTRUCTIONS

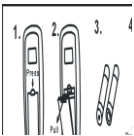
**WARNING** - The heater must be properly installed before it is used.

## **HAZARD OF ELECTRIC SHOCK, EXPLOSION, OR ARC FLASH:**

- Apply appropriate personal protective equipment (PPE) and follow safe electrical work practices. See NFPA 70.
- A circuit breaker must be installed and serviced only by qualified electrical personnel.
- Always use a properly rated voltage sensing device to confirm power is off.

The Select switch on the heater is only for function selection. Use circuit breaker as power ON/OFF for the heater. The circuit breaker is to be installed by a certified/licensed electrician and should be located in line of sight from the heater location or should be capable of being locked in open position. Follow the operating instructions to reduce the risk of fire, electric shock, injury, or death to persons.

- Switch on the circuit breaker.
- Insert the batteries into the remote control as shown below:



**NOTE:** Remove the batteries if the remote control is not to be used for a month or more. Batteries left in the remote may leak and cause damage.

**DO NOT MIX OLD AND NEW BATTERIES! DO NOT MIX ALKALINE, STANDARD (CARBON-ZINC) OR RECHARGEABLE (NICKEL-CADMIUM) BATTERIES!**

- **TURNING THE HEATER ON**

To turn the heater ON, select ON position on the ON/OFF rocker switch. The power indicator light will turn on and display the room temperature.

The default temperature setting is 70°F. If you select Inside Thermostat and the room temperature is lower than or equal to 68°F, the heat function on the heater will engage on HIGH mode and will turn off when the room temperature is higher than or equal to 72°F.

- **SETTING THE TEMPERATURE**

To set the desired temperature:

Press the + button until the temperature display starts flashing. Press button again to increase the temperature or the - button to decrease the temperature.

After setting the desired temperature, press the **MODE** button to HIGH or LOW. When the ambient room temperature drops 2°F below the set temperature, the heater will turn on and begin heating the room on HIGH or LOW (depending on the setting). The heater will turn off once it senses the room temperature to be 2°F above the set temperature.

Note: If WALL THERMOSTAT is selected on rocker switch, only the external thermostat on the wall can control the heater's temperature setting.

- **SETTING THE TIMER**

Press the **TIMER** button until Set Time starts flashing. The default value is 3 hours.

Press the "+" button to increase the set time or the "-" button to decrease the set time. The timer can be set from 1 to 12 hours. The timer will set and execute after the LED display stops flashing. The heater will shut OFF automatically when the set time is reached.

To turn the timer OFF, press the TIMER button, and then pressing the "-" button to set the time to 0. The timer feature will turn off when the LED stops flashing.

- To turn off the heater, switch off the circuit breaker. **The circuit breaker serves as the power source for the heater.**

This heater includes a visual alarm to warn that parts of the heater are getting excessively hot. If the alarm flashes, immediately turn the heater OFF and inspect for any objects on or adjacent to the heater that may cause high temperatures. **DO NOT OPERATE THE HEATER WITH THE ALARM FLASHING.** To reset the heater, switch the circuit breaker OFF. Wait five to ten minutes for the heater to cool down before turning the heater on again.

## MAINTENANCE AND CLEANING

No user maintenance on this heater should be undertaken except regular cleaning as described below. All other servicing or maintenance should be performed by qualified service personnel.

Before any cleaning, make sure that:

1. Power supply is disconnected at the source. **Switch off the circuit breaker.**
2. Wait 60 minutes to ensure the heating element has cooled down. Your heater is now ready for cleaning.

Regular Cleaning:

1. Do not spray chemicals or other cleaning liquids on the heater.
2. Interior dust can often be removed by using a vacuum cleaner with a crevice tool attachment.
3. To clean enclosure, use a clean, soft, and lightly damp cloth to gently wipe off the dirt from the surface of the unit. Make sure the heating element and the switches do not get wet. Allow the unit to dry completely before use.

**CAUTION: DO NOT ALLOW WATER TO RUN INTO THE INTERIOR OF THE HEATER AS THIS COULD CREATE A FIRE OR ELECTRIC SHOCK HAZARD, DAMAGING THE UNIT.**

# TROUBLESHOOTING

If your heater fails to operate, please follow these procedures:

This heater is intended to be a ceiling/wall-mounted heater. It has a thermal cut-off protection. If the thermal cut-off protection trips, **switch off the power. Switch off the circuit breaker.** The unit should reset automatically after 10 minutes. If the thermal cut-off protection trips again, consult a certified/licensed electrician to determine the reason for overheating.

Problem	Probable Cause	Solution
Unit is not heating.	Overheat protection has temporarily deactivated the heater.	Turn the heater OFF. <b>Switch off the circuit breaker.</b> Wait 10 minutes before turning on the heater.
	Room temperature is higher than the set temperature.	Increase thermostat setting to a higher temperature.
	Breaker/Fuse has been tripped.	Check your electrical box to confirm the breaker has not been blown. This may occur if the receptacle is shared with other high consumption appliances.
The heater is producing a burning smell.	Check & ensure there are no combustible materials within 0.9 meters (3 feet) surrounding the heater.	Remove any combustible items from the vicinity of the heater.
	A drop of oil fell on the heating coil during the manufacturing process. It will quickly evaporate and should not occur again.	Ensure room in which heater is situated is well ventilated.
	Ensure a minimum clearance of 36 inches (90 cm) from both sides and rear of heater to adjacent wall(s).	Reposition the heater so there is enough space between the heater and any adjacent surface/wall.

**PLEASE DO NOT ATTEMPT TO OPEN OR REPAIR THE HEATER YOURSELF. DOING SO COULD CAUSE DAMAGE TO THE HEATER OR PERSONAL INJURY.**

**How long is the warranty?**

This heater comes with a ONE-YEAR LIMITED COMPONENT WARRANTY. If your unit does not appear to be working properly, please contact our service center by calling 1-800-317-1688. Prior to your call, please have your product's model number, serial number, and purchase receipt/invoice ready so that we may assist you more expediently.

Dr. Heater USA  
239 Harbor Way  
SOUTH SAN FRANCISCO, CA 94080  
TEL: 800-317-1688  
EMAIL: [SERVICE@DRHEATERUSA.COM](mailto:SERVICE@DRHEATERUSA.COM)

 Dr Heater USA  
 @DrHeaterUSA  
 Dr. Heater USA  
 Dr. Heater USA

## Free Manuals Download Website

<http://myh66.com>

<http://usermanuals.us>

<http://www.somanuals.com>

<http://www.4manuals.cc>

<http://www.manual-lib.com>

<http://www.404manual.com>

<http://www.luxmanual.com>

<http://aubethermostatmanual.com>

Golf course search by state

<http://golfingnear.com>

Email search by domain

<http://emailbydomain.com>

Auto manuals search

<http://auto.somanuals.com>

TV manuals search

<http://tv.somanuals.com>