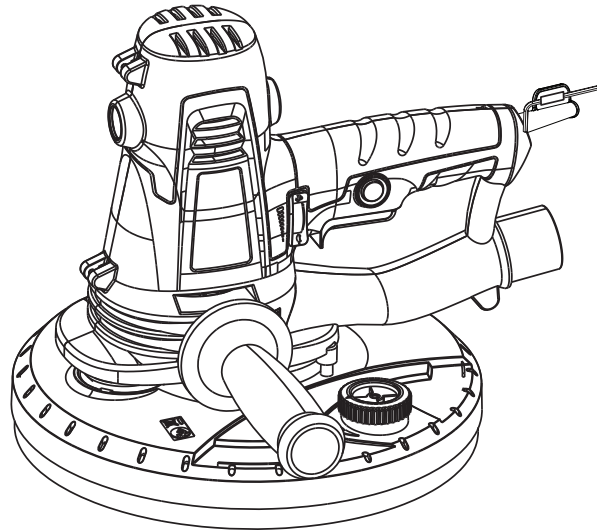




# HAND-HELD DRYWALL SANDER



Intertek  
3151836

For replacement parts visit  
**WENPRODUCTS.COM**

**Model #6362**  
bit.ly/wenvideo


## IMPORTANT:

Your new tool has been engineered and manufactured to WEN's highest standards for dependability, ease of operation, and operator safety. When properly cared for, this product will supply you years of rugged, trouble-free performance. Pay close attention to the rules for safe operation, warnings, and cautions. If you use your tool properly and for its intended purpose, you will enjoy years of safe, reliable service.



## NEED HELP? CONTACT US!

Have product questions? Need technical support?  
Please feel free to contact us at:

 **800-232-1195** (M-F 8AM-5PM CST)

 **techsupport@wenproducts.com**

 **WENPRODUCTS.COM**

**NOTICE: Please refer to [wenproducts.com](http://wenproducts.com) for the most up-to-date instruction manual.**

## TABLE OF CONTENTS

---

Product Specifications .....	2
Safety Introduction .....	3
General Safety Rules.....	4
Specific Rules for Drywall Sanders.....	6
Electrical Information.....	8
Know Your Drywall Sander.....	9
Assembly .....	10
Operation .....	11
Maintenance .....	12
Warranty Statement .....	13
Exploded View & Parts List.....	14

## PRODUCT SPECIFICATIONS

---

Model Number:	6362
Motor:	AC 120V, 60Hz, 10A
Variable Speed:	1500 to 2300 RPM
Base Pad Diameter:	8.5 in.
Sanding Disc Diameter:	9 in.
Dust Port Size:	1-3/8" O.D.
Dust Extractor Adapter Size:	1-1/2", 1-7/8" or 2-1/4" O.D.
Dust Hose Length:	7.5 ft
Power Cord Length:	13.5 ft
Product Dimensions:	11-7/8 x 8-1/2 x 9-3/4 in.
Product Net Weight:	6.6 lbs

Sanding discs compatible with WEN 6369 Drywall Sander.  
Replacement sanding discs (Part No. 6369SP60, 6369SP80, 6369SP120, 6369SP150,  
6369SP240, & 6369SP400) can be ordered from [wenproducts.com](http://wenproducts.com)

15-foot dust hose (Part No. 6369-103) is also available at [wenproducts.com](http://wenproducts.com)

## SAFETY INTRODUCTION

---

Thanks for purchasing the WEN Drywall Sander! This handheld drywall sander is ideal for detailed sanding, giving you greater intimacy with your drywall. Safe operation of this tool requires that you read and understand this operator's manual and all labels affixed to the tool. This manual provides information regarding potential safety concerns, as well as helpful assembly and operating instructions for your drywall sander.



**SAFETY ALERT SYMBOL:** Indicates danger, warning, or caution. The safety symbols and the explanations with them deserve your careful attention and understanding. Always follow the safety precautions to reduce the risk of fire, electric shock and personal injury. However, please note that these instructions and warnings are not substitutes for proper accident prevention measures.

**NOTE:** The following safety information is not meant to cover all possible conditions and situations that may occur. WEN reserves the right to change this product and specifications at any time without prior notice.

**Keep this manual available to all users during the entire life of the tool and review it frequently to maximize safety for both yourself and others.**

# GENERAL SAFETY RULES

---



**WARNING!** Read all safety warnings and instructions. Failure to follow all instructions may result in electric shock, fire and serious injury. The term “power tool” in the warnings refers to your mains-operated (corded) power tool. **Save all warnings and instructions for future reference.**

## WORK AREA SAFETY

1. Keep work area clean and well lit. Cluttered or dark areas invite accidents.
2. Do not operate power tools in explosive atmospheres, such as in the presence of flammable liquids, gases or dust. Power tools create sparks which may ignite the dust or fumes.
3. Keep children and bystanders away while operating a power tool. Distractions can cause you to lose control.

## ELECTRICAL SAFETY

1. Power tool plugs must match the outlet. Never modify the plug in any way. Do not use any adapter plugs with earthed (grounded) power tools. Unmodified plugs and matching outlets will reduce risk of electric shock.
2. Avoid body contact with earthed or grounded surfaces such as pipes, radiators, ranges and refrigerators. There is an increased risk of electric shock if your body is earthed or grounded.
3. Do not expose power tools to rain or wet conditions. Water entering a power tool will increase the risk of electric shock.
4. Do not abuse the cord. Never use the cord for carrying, pulling or unplugging the power tool. Keep cord away from heat, oil, sharp edges or moving parts. Damaged or entangled cords increase the risk of electric shock.
5. When operating a power tool outdoors, use an extension cord suitable for outdoor use. Use of a cord suitable for outdoor use reduces the risk of electric shock.
6. If operating a power tool in a damp location is unavoidable, use a ground fault circuit interrupter (GFCI) protected supply. Use of a GFCI reduces the risk of electric shock.

## PERSONAL SAFETY

1. Stay alert, watch what you are doing and use common sense when operating a power tool. Do not use a power tool while you are tired or under the influence of drugs, alcohol or medication. A moment of inattention while operating power tools may result in serious personal injury.
2. Use personal protective equipment. Always wear eye protection. Protective equipment such as dust mask, non-skid safety shoes, hard hat, or hearing protection used for appropriate conditions will reduce personal injuries.
3. Prevent unintentional starting. Ensure the switch is in the off-position before connecting to power source and/or battery pack, picking up or carrying the tool. Carrying power tools with your finger on the switch or energizing power tools that have the switch on invites accidents.
4. Remove any adjusting key or wrench before turning the power tool on. A wrench or a key left attached to a rotating part of the power tool may result in personal injury.

## GENERAL SAFETY RULES

---

5. Do not overreach. Keep proper footing and balance at all times. This enables better control of the power tool in unexpected situations.
6. Dress properly. Do not wear loose clothing or jewelry. Keep your hair, clothing and gloves away from moving parts. Loose clothes, jewelry or long hair can be caught in moving parts.
7. If devices are provided for the connection of dust extraction and collection facilities, ensure these are connected and properly used. Use of dust collection can reduce dust-related hazards.

### **POWER TOOL USE AND CARE**

1. Do not force the power tool. Use the correct power tool for your application. The correct power tool will do the job better and safer at the rate for which it was designed.
2. Do not use the power tool if the switch does not turn it on and off. Any power tool that cannot be controlled with the switch is dangerous and must be repaired.
3. Disconnect the plug from the power source and/or the battery pack from the power tool before making any adjustments, changing accessories, or storing power tools. Such preventive safety measures reduce the risk of starting the power tool accidentally.
4. Store idle power tools out of the reach of children and do not allow persons unfamiliar with the power tool or these instructions to operate the power tool. Power tools are dangerous in the hands of untrained users.
5. Maintain power tools. Check for misalignment or binding of moving parts, breakage of parts and any other condition that may affect the power tool's operation. If damaged, have the power tool repaired before use. Many accidents are caused by poorly maintained power tools.
6. Use the power tool, accessories and tool bits etc. in accordance with these instructions, taking into account the working conditions and the work to be performed. Use of the power tool for operations different from those intended could result in a hazardous situation.

### **SERVICE**

Have your power tool serviced by a qualified repair person using only identical replacement parts. This will ensure that the safety of the power tool is maintained.

### **CALIFORNIA PROPOSITION 65 WARNING**

Some dust created by power sanding, sawing, grinding, drilling, and other construction activities may contain chemicals, including lead, known to the State of California to cause cancer, birth defects, or other reproductive harm. Wash hands after handling. Some examples of these chemicals are:

- Lead from lead-based paints.
- Crystalline silica from bricks, cement, and other masonry products.
- Arsenic and chromium from chemically treated lumber.

Your risk from these exposures varies depending on how often you do this type of work. To reduce your exposure to these chemicals, work in a well-ventilated area with approved safety equipment such as dust masks specially designed to filter out microscopic particles.

## SPECIFIC RULES FOR DRYWALL SANDERS



**WARNING:** Do not let comfort or familiarity with the product replace strict adherence to product safety rules. Failure to follow the safety instructions may result in serious personal injury.

1. This power tool is intended for sanding drywall for home use only. Using this tool for professional purposes will reduce the tool's lifespan and cause parts to wear down sooner. Do not force the machine to do other jobs, such as grinding, cutting off, grooming, etc. Operations for which the tool was not designed, including modification of the machine, may cause machine damage, personal injuries, and invalidate the warranty.
2. Keep bystanders and all other living creatures, including children, pets, and in-laws away from the work area.
3. Do not operate the tool in the presence of flammable liquids or gases. Do not operate the tool in wet or damp conditions; doing so significantly increases the risk of electrical shock.
4. The following personal protective equipment must be used to reduce the risk of personal injuries:
  - ANSI Z87.1-approved impact-resistant safety goggles with side shields. Safety goggles should be worn during operation, assembly or maintenance of the tool.
  - Ear protection such as plugs or muffs. Failure to use adequate ear protectors when the noise level is high can result in hearing loss and other problems, such as tinnitus (ringing, whistling or buzzing in the ear).
  - Face mask or dust mask to fight the debris produced by operation. The dust generated during may carry health risks (e.g. cancer, birth defects, asthma and/or dermatitis). Work in a well-ventilated environment and wear a dust masks specially designed to filter out microscopic particles.
  - Heavy-duty work gloves to protect your hands.
  - Safety non-slip work boots.
  - Safety helmet if any work is being carried out above your head.
5. The rated speed of the accessories must be greater than or equal to the tool's maximum speed of 2300 RPM. Do not use accessories rated at speeds below the machine's maximum RPM.
6. Do not use sanding discs larger than the recommended size of 9 inches in diameter. Incorrectly sized accessories will not get along with your sander.
7. Always hold your tool firmly with both hands to maintain control and to avoid kickback.
8. Position the power cord clear of the rotating accessory to avoid accidentally damaging the cord.
9. Do not run the power tool while carrying it at your side. Accidental contact with the rotating accessory could snag your clothing, pulling the accessory into your body.
10. Never lay the power tool down until the accessory has come to a complete stop. The rotating accessory may grab the surface and pull the sander out of your control.
11. Always turn the tool OFF and disconnect the power before making adjustments or performing maintenance.
12. Maintain the tool properly. Keep your machine's ventilation slots and dust port clean. Keep the tool and accessories clean and in good working order. Have your tool serviced by a qualified repair person using only identical replacement parts.

# **SPECIFIC RULES FOR DRYWALL SANDERS**

## **KICKBACK AND RELATED WARNINGS**

Kickback is a sudden reaction to a pinched or snagged rotating wheel, backing pad, brush or any other accessory. Pinching or snagging causes rapid stalling of the rotating accessory which in turn causes the uncontrolled power tool to be forced in the direction opposite of the accessory's rotation at the point of the binding.

Kickback is the result of power tool misuse and/or incorrect operating procedures or conditions and can be avoided by taking proper precautions as given below.

1. Maintain a firm grip on the power tool and position your body and arm to allow you to resist kickback forces. Always use auxiliary handle, if provided, for maximum control over kickback or torque reaction during start-up. The operator can control torque reactions or kickback forces, if proper precautions are taken.
2. Never place your hand near the rotating accessory. The accessory may kickback over your hand.
3. Do not position your body in the area where power tool will move if kickback occurs. Kickback will propel the tool in the direction opposite to the wheel's movement at the point of snagging.
4. Use special care when working corners, sharp edges etc. Avoid bouncing and snagging the accessory. Corners, sharp edges or bouncing have a tendency to snag the rotating accessory and cause loss of control or kickback.

## **VIBRATION SAFETY**

This tool vibrates during use. Repeated or long-term exposure to vibration may cause temporary or permanent physical injury, particularly to the hands, arms and shoulders. To reduce the risk of vibration-related injuries:

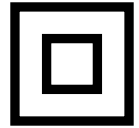
1. First be examined by a doctor and then have regular medical check-ups to ensure medical problems are not being caused or worsened from using this tool. People who are pregnant, have impaired blood circulation to the hand, past hand injuries, nervous system disorders, diabetes, or Raynaud's disease should NOT use this tool.
2. If you feel any symptoms related to vibration (such as tingling, numbness, and white or blue fingers), stop working and seek medical advice as soon as possible.
3. Wear suitable work gloves to reduce the effects of vibration.
4. Hold the tool firmly enough to keep safe control of it, but NOT too tightly. The risk associated with vibration is increased when the gripping force is high. Let the tool do the work.
5. Take vibration-free breaks during each day of work.

**These safety instructions can't possibly warn of every scenario that may arise with this tool, so always make sure to stay alert and use common sense during operation.**

# ELECTRICAL INFORMATION

## DOUBLE INSULATION

Double insulation is a concept in safety in electric power tools, where two systems of insulation are provided. This eliminates the need for the usual three-wire grounded power cord. All exposed metal parts are isolated from the internal metal motor components with protecting insulation. Double insulated tools do not need to be grounded, nor should a means for grounding be added to the product.



**IMPORTANT:** Servicing a double-insulated product requires extreme care and knowledge of the system, and should be done only by a qualified service personnel using identical replacement parts. Always use original factory replacement parts when servicing.

1. **POLARIZED PLUGS.** To reduce the risk of electric shock, this equipment has a polarized plug (one blade is wider than the other). This plug will fit in a polarized outlet only one way. If the plug does not fit fully in the outlet, reverse the plug. If it still does not fit, contact a qualified electrician to install a proper outlet. **DO NOT** modify the machine plug or the extension cord in any way.

2. **GROUND FAULT CIRCUIT INTERRUPTER PROTECTION (GFCI)** should be provided on the circuit or outlet used for this power tool to reduce the risk of electric shock.

3. **SERVICE AND REPAIR.** To avoid danger, electrical appliances must only be repaired by qualified service technician using original replacement parts.



**WARNING:** To avoid electrocution, **DO NOT** use in wet or damp areas or expose to rain.

## GUIDELINES FOR USING EXTENSION CORDS

When using an extension cord, be sure to use one heavy enough to carry the current your product will draw. An undersized cord will cause a drop in line voltage resulting in loss of power and overheating. The table below shows the correct size to be used according to cord length and nameplate ampere rating. When in doubt, use a heavier cord. The smaller the gauge number, the heavier the cord.

AMPERAGE	REQUIRED GAUGE FOR EXTENSION CORDS			
	25 ft.	50 ft.	100 ft.	150 ft.
10A	18 gauge	16 gauge	14 gauge	12 gauge

1. Examine extension cord before use. Make sure your extension cord is properly wired and in good condition. Always replace a damaged extension cord or have it repaired by a qualified person before using it.

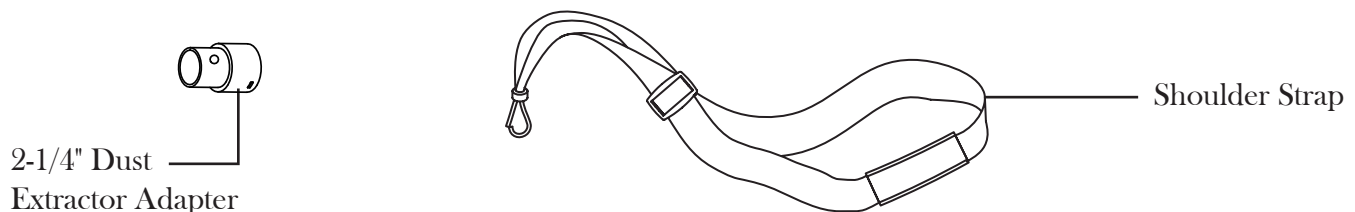
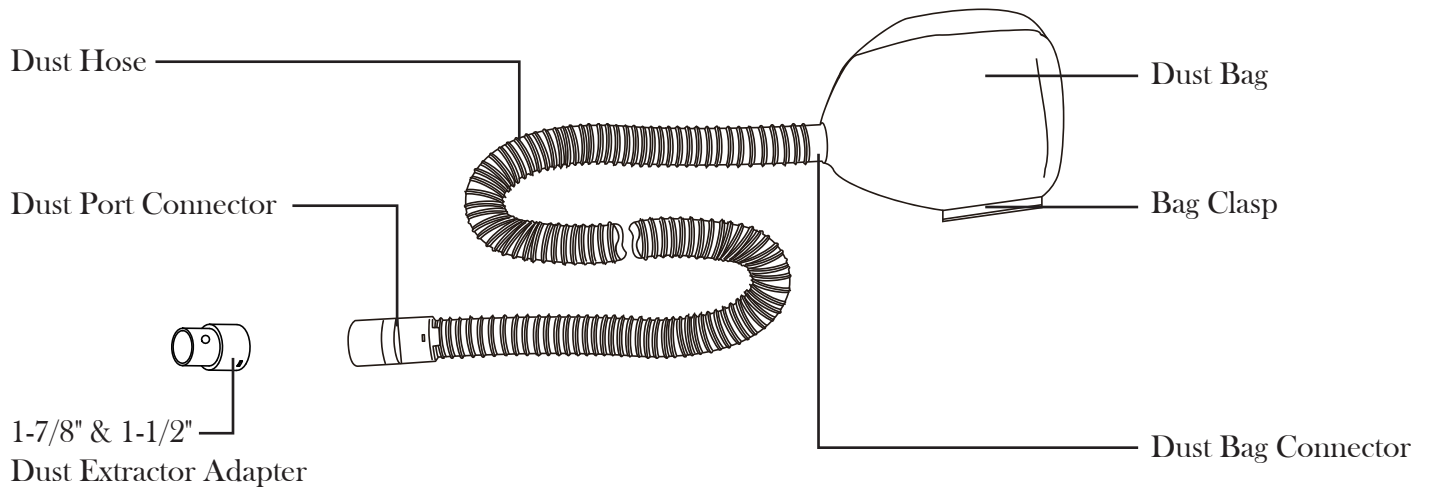
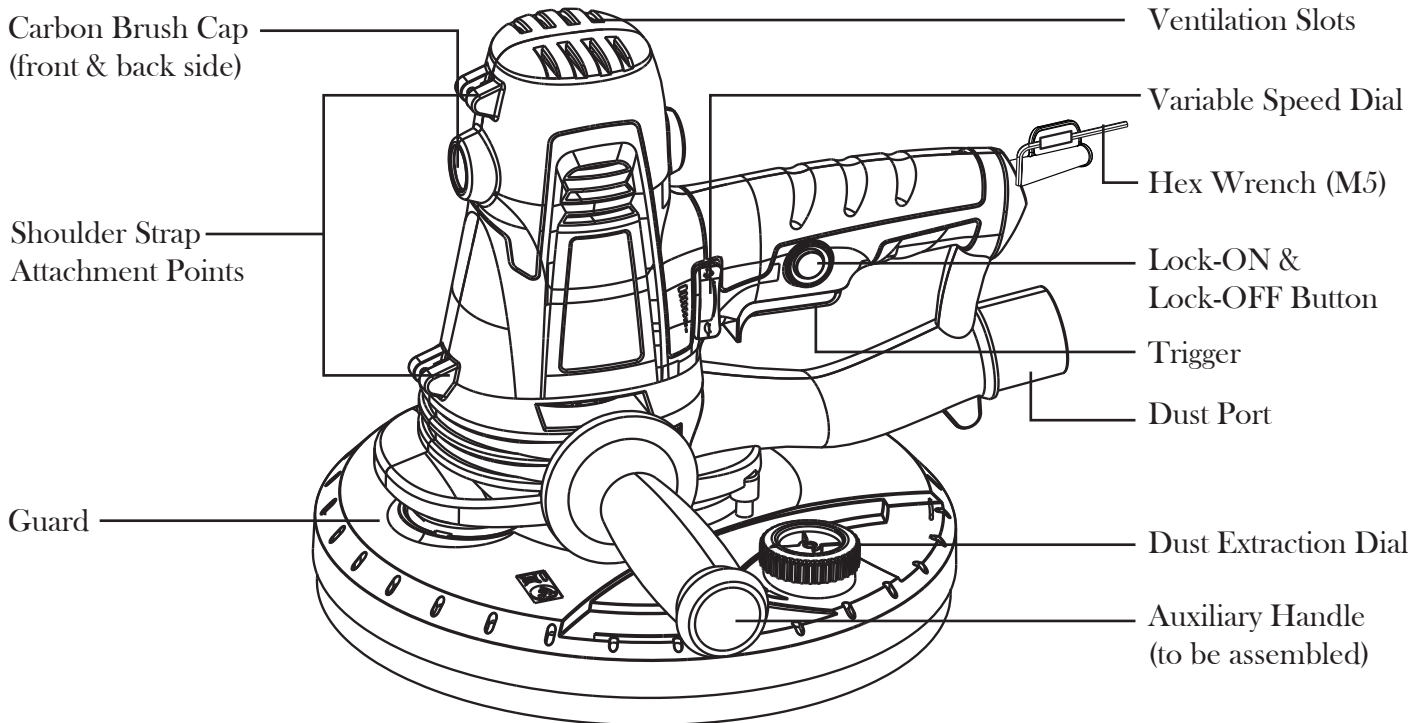
2. Do not abuse extension cord. Do not pull on cord to disconnect from receptacle; always disconnect by pulling on plug. Disconnect the extension cord from the receptacle before disconnecting the product from the extension cord. Protect your extension cords from sharp objects, excessive heat and damp/wet areas.

3. Use a separate electrical circuit for your tool. This circuit must not be less than a 12-gauge wire and should be protected with a 15A time-delayed fuse. Before connecting the motor to the power line, make sure the switch is in the OFF position and the electric current is rated the same as the current stamped on the motor nameplate. Running at a lower voltage will damage the motor.



# KNOW YOUR SANDER

Carefully remove the tool and all contents from the packaging. Check all components against the diagram below. If any part is damaged or missing, please contact our customer service at (800) 232-1195, M-F 8-5 CST or email us at [techsupport@wenproducts.com](mailto:techsupport@wenproducts.com).



## ASSEMBLY



**WARNING:** To prevent injury from accidental operation, make sure the tool is switched OFF and unplugged from the power source before assembling the tool or making any adjustments.

### ATTACHING THE AUXILIARY HANDLE

For safe operation, the auxiliary handle must be installed. The handle can be assembled onto either side of the tool, depending on your preference. Thread the handle into the mounting hole and turn it clockwise to tighten (Fig. 1). Make sure the handle is securely mounted.

When operating the tool, hold on to the main handle and auxiliary handle to prevent loss of control.

### ATTACHING AND CHANGING SANDING DISCS

Your tool comes with 150, 180, 240 and 400 grit sanding discs for different sanding requirements.

Attach the sanding disc of your choice to the center of the hook and loop base pad. The holes in the sanding disc must align with the dust extraction hole in the base pad (Fig. 2).

Replacement sanding discs can be ordered from [wenproducts.com](http://wenproducts.com) by searching the part number 6369SP+Grit Size (e.g. 6369SP240).

### ATTACHING THE DUST HOSE

Align and insert the dust port connector (Fig. 3 - 1) all the way onto the dust port on the back of your sander (Fig. 3 - 2). The dust hose is connected to a dust bag to collect dust during sanding operations.

### CONNECTING TO A DUST EXTRACTOR

Alternative to using the dust bag, you can also connect your sander to a dust extractor. Your sander comes with three sizes of adapters, a 1-7/8-inch adapter, a 1-1/4-inch adapter (located inside the 1-7/8-inch adapter), and a 2-1/4-inch adapter.

Connect the dust hose to a suitable adapter and connect it to the dust extractor of your choice.

**NOTE:** Your sander comes with a 7.5-foot dust hose to allow ease of use with the dust bag. If you need a longer hose, a 15-foot dust hose is available for purchase from [wenproducts.com](http://wenproducts.com), by searching the part number 6369-103.

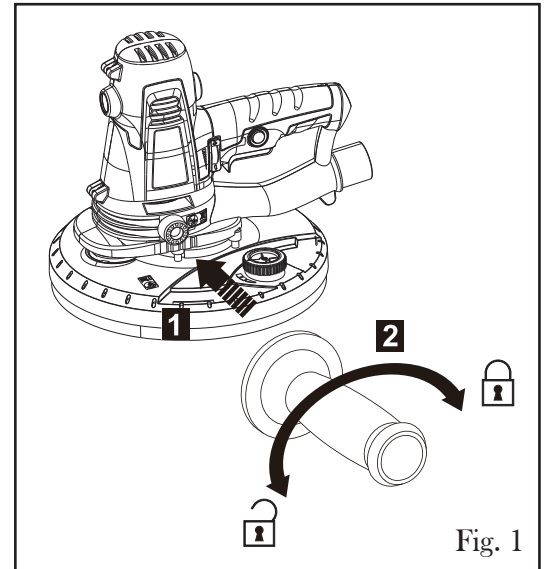


Fig. 1

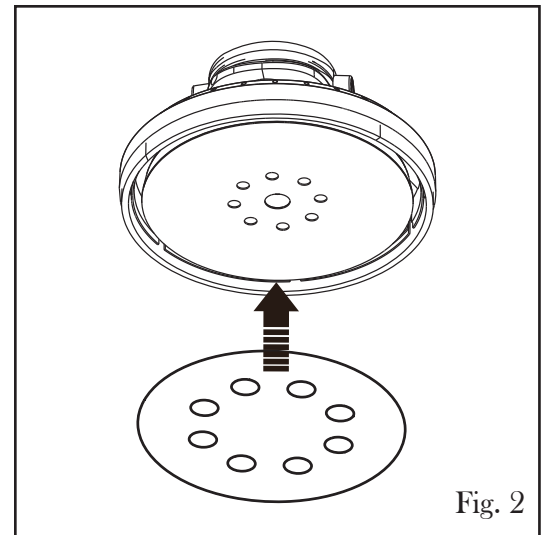


Fig. 2

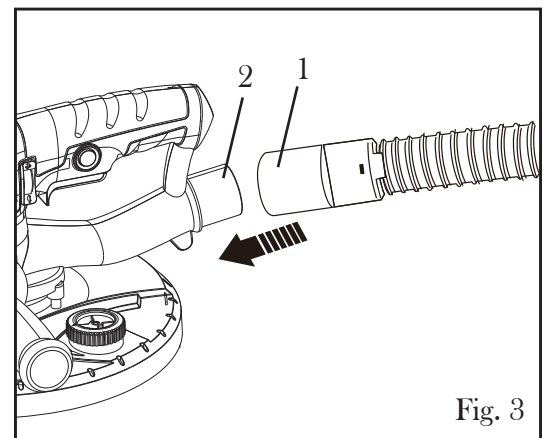


Fig. 3

# OPERATION



**WARNING:** To prevent serious injury, make sure all the warnings and instructions have been read and understood before operating this tool.

## VARIABLE SPEED CONTROL

Use the variable speed dial (Fig. 4 - 1) to adjust the base pad's rotating speed between 1500 and 2300 RPM, depending on your task at hand. Use lower speeds for coarse sanding, or cleaning plastic and water stains from the work surface. Use higher speeds for fine sanding to achieve a smooth finish.

## ADJUSTING THE DUST EXTRACTION POWER

Turn the dust extraction dial (Fig. 5 - 1) clockwise to increase the suction power. Turn the dust extraction dial counterclockwise to decrease the suction power.

## USING THE DRYWALL SANDER

1. Talk to your drywall and explain what's about to happen to make sure it's properly prepared.

2. Hold the sander firmly with two hands before starting. Make sure the sander is clear of the work surface to avoid kickback.

3. Press down the trigger lock button (Fig. 4 - 2), and then press the trigger (Fig. 4 - 3) to switch ON the tool. You can press down the trigger lock button again to lock the trigger ON for continuous use.

4. Let the sanding disc come to full speed before applying it onto the workpiece.

5. During sanding operation, do not press the sander too hard to avoid overloading. Use proper pressure to achieve the best results. If the machine slows or bogs down, reduce the applied pressure.

6. Once the sanding task has been completed, turn OFF the sander by releasing the trigger. If the sander has been locked ON, press down the lock button and trigger to release them, and your tool will turn OFF. Wait for the base pad to stop rotating before setting the tool down.

## EMPTYING THE DUST BAG

1. We recommend emptying the dust bag after every sanding operation. Remove the dust hose with dust bag from the sander's dust port.

2. Hold the dust bag over a trash can. Remove the clasp (Fig. 6 - 1) and empty the dust bag.

3. Attach the clasp back onto the rails on the dust bag, and re-attach the dust hose and dust bag to the tool.

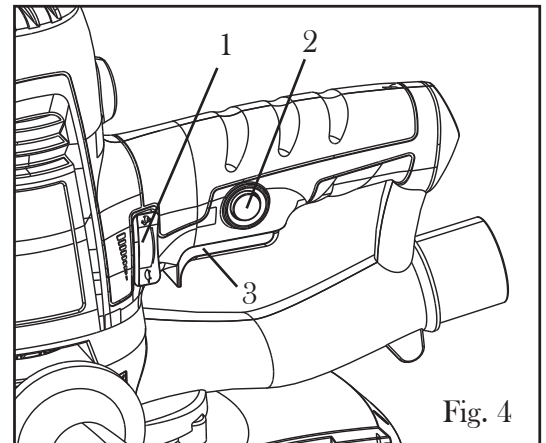


Fig. 4

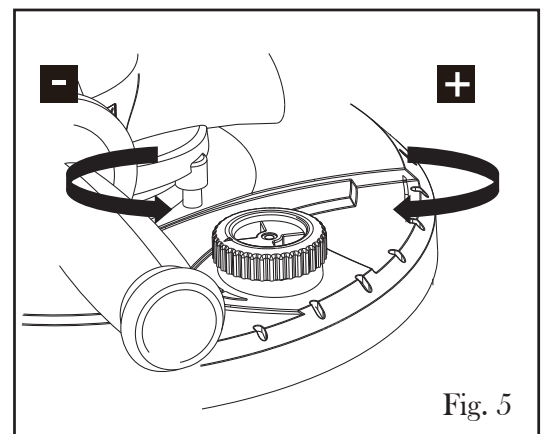


Fig. 5

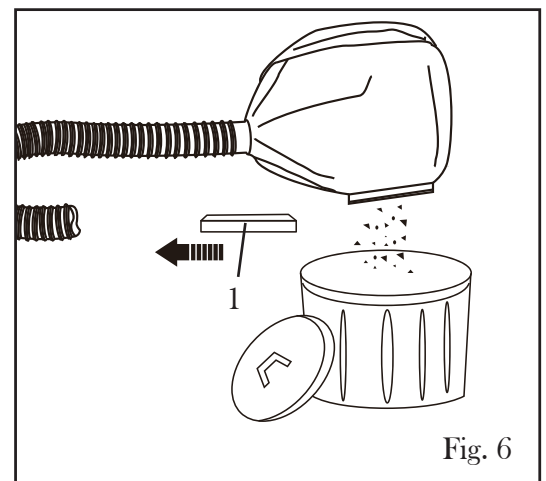


Fig. 6

# MAINTENANCE



**WARNING:** To avoid accidents, make sure the power switch is in the OFF position and unplug the tool from the electrical outlet before cleaning or performing any maintenance. Servicing of the tool must be performed by a qualified technician.

## GENERAL MAINTENANCE

1. Before each use, inspect the general condition of the tool. Check for:

- Loose hardware,
- Misalignment or binding of moving parts,
- Damaged cord/electrical wiring,
- Cracked or broken parts, and
- Any other condition that may affect its safe operation.

2. After every use, wipe the tool clean with a soft cloth. Make sure water does not get into the tool.

**NOTE:** Most plastics are susceptible to damage from various types of commercial solvents. Do not use any solvents or cleaning products that could damage the plastic parts. Some of these include but are not limited to: gasoline, carbon tetrachloride, chlorinated cleaning solvents, and household detergents that contain ammonia.

3. Keep the ventilation openings free from dust and debris to prevent the motor from overheating.

4. Store the tool in a clean and dry place away from the reach of children.

## CARBON BRUSH REPLACEMENT

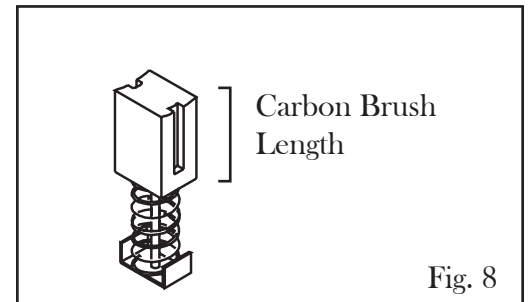
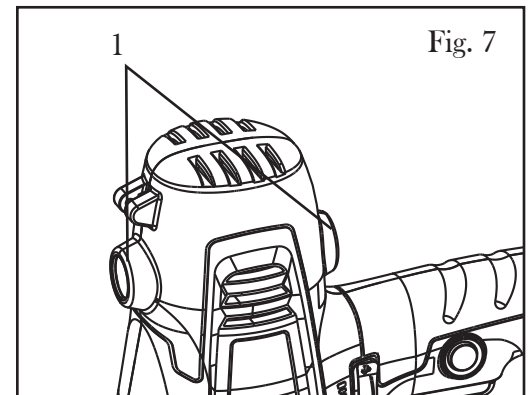
The wear on the carbon brushes depends on how frequently and how heavily the tool is used. If you see excessive sparks during operation or if the tool stops working, inspect the brushes and replace them.

Replacement carbon brushes (Part No. 6362-040) can be ordered from [wenproducts.com](http://wenproducts.com). Only genuine WEN replacement brushes designed specifically for your tool should be used.

1. To inspect the brushes, open the carbon brush covers (Fig. 7 - 1) by turning them counterclockwise with a flat-head screwdriver (not included).

2. Take out and inspect the carbon brushes (Fig. 8). If the brushes are worn to under 1/8 inch in length, replace them with new carbon brushes. Both carbon brushes should be replaced at the same time.

3. Reinstall the brush caps.



## PRODUCT DISPOSAL

Used power tools should not be disposed of together with household waste. This product contains electronic components that should be recycled. Please take this product to your local recycling facility for responsible disposal and to minimize its environmental impact.

## **LIMITED TWO YEAR WARRANTY**

---

WEN Products is committed to build tools that are dependable for years. Our warranties are consistent with this commitment and our dedication to quality.

### **LIMITED WARRANTY OF WEN CONSUMER POWER TOOLS PRODUCTS FOR HOME USE**

GREAT LAKES TECHNOLOGIES, LLC (“Seller”) warrants to the original purchaser only, that all WEN consumer power tools will be free from defects in material or workmanship for a period of two (2) years from date of purchase. Ninety days for all WEN products, if the tool is used for professional use.

**SELLER’S SOLE OBLIGATION AND YOUR EXCLUSIVE REMEDY** under this Limited Warranty and, to the extent permitted by law, any warranty or condition implied by law, shall be the repair or replacement of parts, without charge, which are defective in material or workmanship and which have not been misused, carelessly handled, or misrepaired by persons other than Seller or Authorized Service Center. To make a claim under this Limited Warranty, you must make sure to keep a copy of your proof of purchase that clearly defines the Date of Purchase (month and year) and the Place of Purchase. Place of purchase must be a direct vendor of Great Lakes Technologies, LLC. Third party vendors such as garage sales, pawn shops, resale shops, or any other secondhand merchant void the warranty included with this product. Contact [techsupport@wenproducts.com](mailto:techsupport@wenproducts.com) or 1-800-232-1195 to make arrangements for repairs and transportation.

When returning a product for warranty service, the shipping charges must be prepaid by the purchaser. The product must be shipped in its original container (or an equivalent), properly packed to withstand the hazards of shipment. The product must be fully insured with a copy of the warranty card and/or the proof of purchase enclosed. There must also be a description of the problem in order to help our repairs department diagnose and fix the issue. Repairs will be made and the product will be returned and shipped back to the purchaser at no charge.

**THIS LIMITED WARRANTY DOES NOT APPLY TO ACCESSORY ITEMS THAT WEAR OUT FROM REGULAR USAGE OVER TIME INCLUDING BELTS, BRUSHES, BLADES, ETC.**

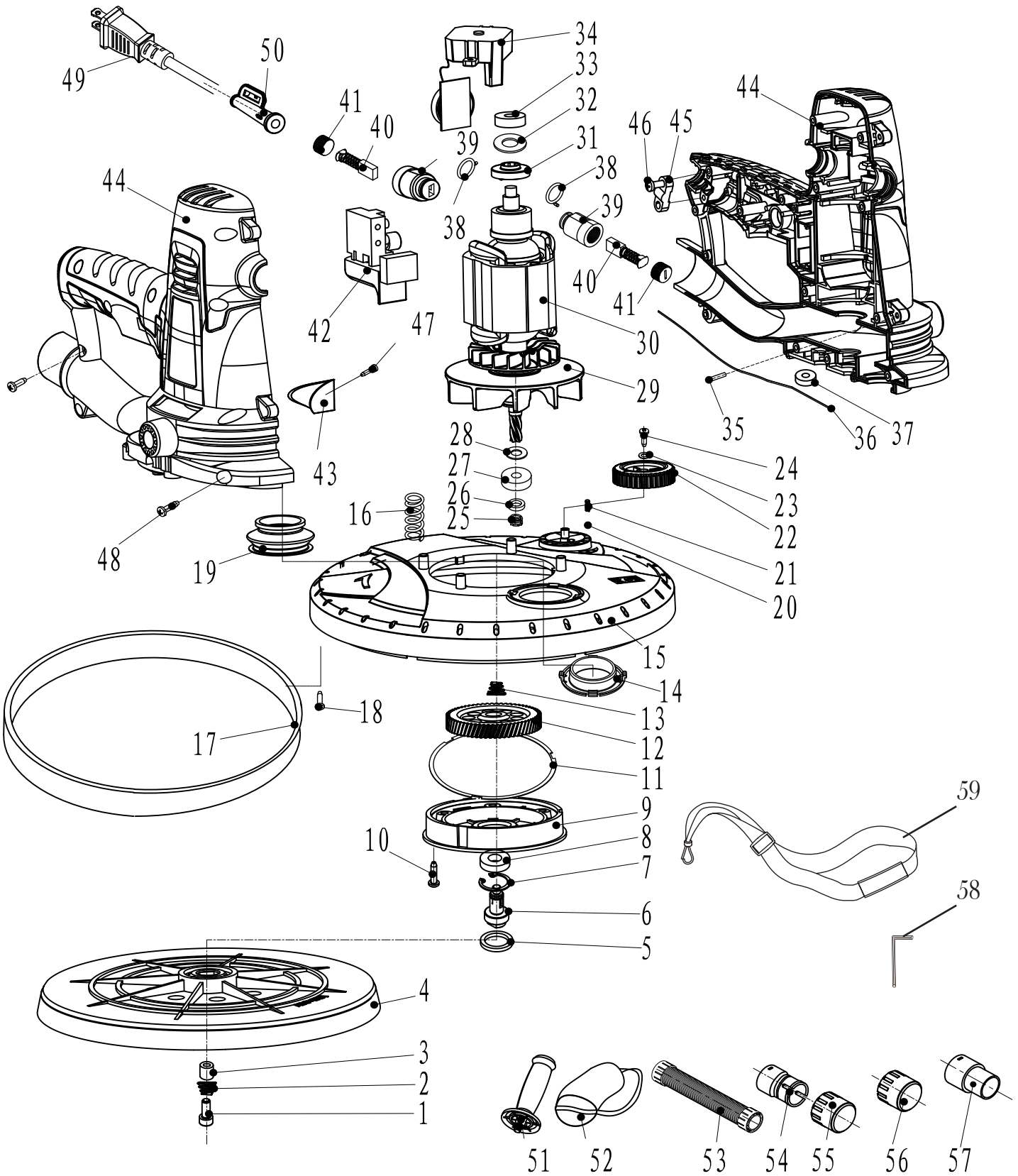
**ANY IMPLIED WARRANTIES SHALL BE LIMITED IN DURATION TO TWO (2) YEARS FROM DATE OF PURCHASE. SOME STATES IN THE U.S., SOME CANADIAN PROVINCES DO NOT ALLOW LIMITATIONS ON HOW LONG AN IMPLIED WARRANTY LASTS, SO THE ABOVE LIMITATION MAY NOT APPLY TO YOU.**

**IN NO EVENT SHALL SELLER BE LIABLE FOR ANY INCIDENTAL OR CONSEQUENTIAL DAMAGES (INCLUDING BUT NOT LIMITED TO LIABILITY FOR LOSS OF PROFITS) ARISING FROM THE SALE OR USE OF THIS PRODUCT. SOME STATES IN THE U.S. AND SOME CANADIAN PROVINCES DO NOT ALLOW THE EXCLUSION OR LIMITATION OF INCIDENTAL OR CONSEQUENTIAL DAMAGES, SO THE ABOVE LIMITATION OR EXCLUSION MAY NOT APPLY TO YOU.**

**THIS LIMITED WARRANTY GIVES YOU SPECIFIC LEGAL RIGHTS, AND YOU MAY ALSO HAVE OTHER RIGHTS WHICH VARY FROM STATE TO STATE IN THE U.S., PROVINCE TO PROVINCE IN CANADA AND FROM COUNTRY TO COUNTRY.**

**THIS LIMITED WARRANTY APPLIES ONLY TO PORTABLE ELECTRIC TOOLS, BENCH POWER TOOLS, OUTDOOR POWER EQUIPMENT AND PNEUMATIC TOOLS SOLD WITHIN THE UNITED STATES OF AMERICA, CANADA AND THE COMMONWEALTH OF PUERTO RICO. FOR WARRANTY COVERAGE WITHIN OTHER COUNTRIES, CONTACT THE WEN CUSTOMER SUPPORT LINE.**

# EXPLODED VIEW & PARTS LIST





## EXPLODED VIEW & PARTS LIST

No.	Part No.	Description	Qty.	No.	Part No.	Description	Qty.
1	6362-001	Hex Screw M6x14	1	35	6362-035	Pin $\Phi$ 3x16	1
2	6362-002	M6 Spring	1	36	6362-036	Seal Belt $\Phi$ 1.2	1
3	6362-003	M6 Stop Button	1	37	6362-037	Bearing 606Z	1
4	6369-003	Sanding Pad	1	38	6362-038	Tension Spring	2
5	6362-005	Dust Seal	1	39	6362-039	Brush Holder	2
6	6362-006	Output Shaft	1	40	6362-040	Carbon Brush	2
7	6362-007	Collar $\Phi$ 22	1	41	6362-041	Brush Holder Cover	2
8	6362-008	Bearing 6900 Rs	1	42	6362-042	Switch	1
9	6362-009	End Cover	1	43	6362-043	Ventilation Board	1
10	6362-010	Screw ST3.9x16	6	44	6362-044	Housing	1
11	6362-011	Paper Washer	1	45	6362-045	Cord Clamp	1
12	6362-012	Big Gear	1	46	6362-046	Screw ST3.9x14	8
13	6362-013	Spring	4	47	6362-047	Screw ST3x10	1
14	6362-014	Clamp Plate	1	48	6362-048	Screw ST3.9x16	9
15	6362-015	Base Pad Guard	1	49	6362-049	Power Cord & Plug	1
16	6362-016	Compression Spring	1	50	6362-050	Cord Sleeve	1
17	6362-017	Brush Segment	1	51	6362-051	Handle	1
18	6362-018	Screw ST3x8	1	52	6362-052	Dust Bag	1
19	6362-019	Wavy Sleeve	1	53	6362-053	Dust Hose	1
20	6362-020	Ball $\Phi$ 4	1	54	6362-054	Middle Connector (for No. 55 & 56)	3
21	6362-021	Dial Spring	1	55	6362-055	57mm Adapter (One as accessory and one inside dust bag)	2
22	6362-022	Dust Extraction Dial	1	56	6369-102	47mm Adapter	1
23	6362-023	Flat Washer $\Phi$ 4	1	57	6362-057	Dust Port Connector	1
24	6362-024	Screw ST3.9x10	1	58	6362-058	Hex Wrench M5	1
25	6362-025	Rotor Spring	1	59	6362-059	Shoulder Strap	1
26	6362-026	Wool Washer	1	The sanding discs below are not pictured. Sanding discs are compatible with WEN 6369.			
27	6362-027	Bearing 608RS	1	60	6369SP150	150-Grit Sanding Disc	2
28	6362-028	Flat Washer $\Phi$ 8	1	61	6369SP180	180-Grit Sanding Disc	2
29	6362-029	Rotor	1	62	6369SP240	240-Grit Sanding Disc	2
30	6362-030	Stator	1	63	6369SP400	400-Grit Sanding Disc	2
31	6362-031	Magnet Ring	1				
32	6362-032	Flat Washer $\Phi$ 7	1				
33	6362-033	Bearing 607Rs	1				
34	6362-034	Speed Regulator	1				

**THANKS FOR  
REMEMBERING**





## Free Manuals Download Website

<http://myh66.com>

<http://usermanuals.us>

<http://www.somanuals.com>

<http://www.4manuals.cc>

<http://www.manual-lib.com>

<http://www.404manual.com>

<http://www.luxmanual.com>

<http://aubethermostatmanual.com>

Golf course search by state

<http://golfingnear.com>

Email search by domain

<http://emailbydomain.com>

Auto manuals search

<http://auto.somanuals.com>

TV manuals search

<http://tv.somanuals.com>