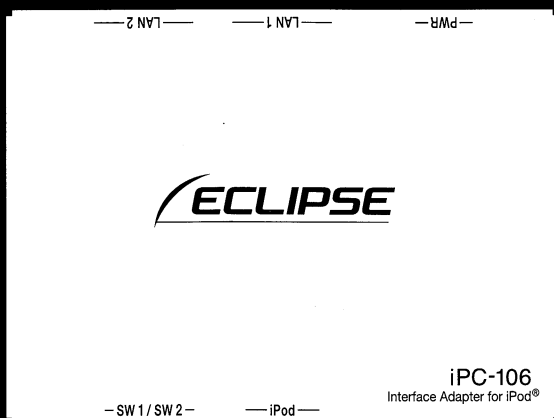




OWNER'S MANUAL



iPC-106

Interface Adapter for iPod®

We appreciate your purchase of this receiver.
Please read through this manual for correct operation.
We suggest that after reading it you keep this manual
in a safe place for future reference.

FUJITSU TEN

For your safety in using the iPC-106

Warnings and caution signs, illustrated below, are posted throughout this manual as well as on the iPC-106. They show safe and correct ways to handle the product so as to prevent personal injury to you, others and to avoid property damage.

Before reading through the manual, take time to read through and learn the important information listed in this section.



Warning

This sign indicates a situation in which incorrect handling or disregard of this sign might result in death or serious personal injury.



Caution

This sign indicates a situation in which incorrect handling or disregard of this sign might result in personal injury or may result solely in damage to property.

Please read all materials such as manuals and warranties that have come with the product.

Eclipse will not be liability for unsatisfactory product performance due to failure to follow these instructions.



WARNING

- Do not modify this system for use other than that specified herein. Also, do not deviate from the installation procedures described herein; Eclipse will not be held liable for damages including, but not limited to serious injury, death or property damage resulting from installations that enable unintended operation.
- This equipment requires 12V DC and should only be installed in a vehicle with a 12V negative ground electrical system. Any other installation may cause a fire or other severe damage to the equipment and the vehicle.
- Never install this equipment where it will interfere with safe operation of the vehicle. Never block the drivers' view. Do not install equipment where it may interfere with operation of the brakes, the steering or any safety equipment, including seat belts and air bags.
- Before drilling holes in a vehicle for installation, you must confirm the locations of pipes, tanks, electrical wiring, and other vehicle systems and components to ensure that there will be no interference or contact. In addition, you must also apply rust prevention and leak prevention measures at the drilling area. Otherwise, fire or electric shock could occur.
- When installing equipment do not remove or alter existing vehicle fasteners, including nuts, bolts, screws, clips, and fittings. Never detach, move or alter existing vehicle wiring, including electrical grounds and straps. Alteration of existing vehicle components may make vehicle unsafe to operate.
- Before installation, remove the negative (-) battery terminal to prevent shocks, electrical arcing, fires, and damage to vehicle wiring and the equipment you are installing.
- Secure wiring with tape or plastic ties so that wires do not interfere with vehicle operation, including brake pedal, gear shifter and steering. Position wires so that they will not be rubbed, abraded, or damaged by moving vehicle components, including power seats.
- To avoid equipment and vehicle damage, including fire, never supply power to installed equipment in a way which will overload the capacity of an existing vehicle circuit. Never leave a power supply wire or connection uninsulated. Always install supplied fuses, circuit breakers, and relays.



WARNING

- Air bags are vital safety equipment. Never install equipment in a way which will alter air bag wiring or interfere with air bag deployment. Air bags must function properly in the event of an accident.
- When installation is complete, test all vehicle electrical systems for proper operation, including lights, horn, brake lights, and emergency flashers.
- For your protection, never use a power drill without safety glasses or goggles. Debris or broken drill bits may cause severe eye injuries, including blindness.
- Use electrical tape to insulate the ends of all wires, even if not used. Proper insulation prevents arcs, shocks and fires.
- Some equipment uses batteries. Never install equipment where young children can get access to batteries. If a battery is swallowed, seek medical attention immediately.
- When vehicle is moving, never take your eyes off the road to make adjustments to the equipment. You must pay attention to the road to avoid accidents, do not let the operation or adjustment of the equipment distract you from proper vehicle operation.
- The driver should not look at the screen while driving. Accidents may result if you are not paying attention to the forward direction.
- Do not disassemble or alter this equipment. Accidents, fires or shocks may result.
- Do not let water or foreign objects enter the internal parts of this equipment. Smoke, fires or shocks may result.
- Do not use when it is broken (the screen is not lit or no sound comes out). Accidents, fires or shocks may result.
- Always replace fuses with fuses of identical capacity and characteristics. Never use a high capacity fuse than the original. Using the wrong type of fuse may cause a fire or severe damage.
- If foreign objects or water enters the equipment, smoke comes out, or there is a strange odor, stop using it immediately, and contact your dealer. Accidents, fires, or shocks may result if you continue to use it in these conditions.
- Plastic bags and wrappings may cause suffocation and death. Keep away from babies and children. Never put bag over your head or mouth.

 **CAUTION**

- Wiring and installing this equipment requires expertise and experience. Professional installation is recommended. Consult with your dealer or a professional installer. Incorrect wiring may damage the equipment or interfere with safe vehicle operation.
- Use only the accessory parts as specified. Using other parts may cause damage to the equipment or cause parts to fall or fly off the equipment.
- Do not install the unit in places where it may get dew condensation on (around the air conditioning hose, etc.), come in contact with water, or in condition of high moisture, dust or oily smoke. If water, moisture, dust or oily smoke enters this unit, smoke, fires or malfunctions may result.
- Avoid installing in places where it cannot be fastened securely or where there are strong vibrations. Also, if you installed the unit with double-sided tape, first wipe away dirt and wax from the installation area. Otherwise, the unit may come loose due to vibration while driving, causing problems for driving and resulting in traffic accidents or injuries.
- Do not install in places with direct sunlight or where it will be hit directly by hot air from the heater. This may increase the temperature of the interior of this equipment, resulting in fires and malfunctions.
- Connect as specified in the installation manual. If not connected normally, fires or accidents may result.
- When installing in vehicles equipped with air bags, check the manufacturer's cautions regarding operation before operating. Airbags may not operate properly.
- Carry out the wiring such that cords are not pinched by movable parts such as seat rails, and screw parts of the vehicle body. Accidents, fires and shocks may result from disconnection and electrical shorts.
- Carry out the wiring such that the cord does not make contact with metal parts. The cord maybe be damaged by contact with metal parts, resulting in fire and shocks.
- Avoid hot surfaces when wiring equipment. High temperatures may damage wiring, causing shorts, arcing and fires.
- When changing the installation location for this equipment, please consult the dealer where you bought it for safety reasons. Expertise is necessary for removal and installation.
- Keep volume to a reasonable level so that you can hear sounds from outside the vehicle, including warning sounds, voice, and sirens. Failure to do so may cause an accident.
- Do not use this equipment except for in-vehicle use. Shocks or injuries may result.
- Do not operate under abnormal conditions such as when the sound is broken or distorted. Fires may result.
- If the equipment is dropped or the cosmetics appear broken, turn off the power to the main unit and contact your dealer. If used in this condition, fires or shocks may result.

MEMO

Table of Contents

<i>For your safety in using the iPC-106</i>	2
<i>Before using</i>	7
About the adapter.....	7
Supported iPod® models.....	7
Charging the battery.....	7
Supported models.....	8
<i>Connecting iPod®</i>	9
Connecting iPod.....	9
<i>iPod operation</i>	10
Listening to iPod music files.....	10
Advancing to the next music file or returning to the beginning of the music file being played.....	10
Repeating the same track (REPEAT).....	10
Playing music files in random order (RANDOM).....	10
Displaying text.....	10
Searching for music files.....	11
<i>Operation switches</i>	12
Listening to iPod music files.....	12
Advancing to the next music file or returning to the beginning of the music file being played.....	14
Repeating the same music file (REPEAT).....	15
Playing music files in random order (RANDOM).....	16
Displaying text.....	17
Searching for music files.....	18
<i>If you have a question</i>	20
When the following message is displayed... ..	20
<i>Specifications</i>	22
<i>How to contact customer service</i>	23
<i>Components</i>	24
<i>Setting the system-selector switch</i>	25
<i>Mounting instructions</i>	26
<i>System example</i>	27

Before using

About the adapter

Use the adapter to connect an iPod to the ECLIPSE head unit. This allows you to operate selected iPod functions from the main unit to enable iPod playback.

- iPod is for legal or right holder-authorized copying only. Don't steal music.
- iPod® is a trademark of Apple Computer, Inc., registered in the U.S. and other countries.

CAUTION

- The adapter cannot ensure data loss protection even if data loss occurs while the adapter is connected to an iPod.
- Do not leave iPod in the vehicle for extended periods of time. iPod may have to be repaired if it becomes warped, discolored, or damaged by being exposed to direct sunlight, high heat or humidity.
- Be sure to secure iPod when in use. Severe injury or damage could result if iPod falls and becomes lodged under the brake or accelerator pedals while driving.

Supported iPod® models

The adapter supports iPods which are equipped with a dock connector. Supported iPod models are shown below:

- iPod
- iPod mini
- iPod photo
- iPod nano

Ensure the latest version of iPod software is being used.

Charging the battery

The adapter will charge the connected iPod if power to the main unit is switched ON.

Supported models

This adapter can be connected to main units produced in 2002 or later that support E-LAN. Operation will vary depending on the main unit to which the adapter is connected. If the main unit supports iPod controller mode, almost all of iPod's functions can be operated from the main unit. If the main unit does not support iPod controller mode, iPod can be operated through the main unit's CD changer mode or SIRIUS mode.

■ Models that support iPod controller mode

The following models support iPod controller mode.

- CD7000
- CD5000
- CD4000
- CD3000

■ Models that support CD changer/SIRIUS mode

The following models support CD changer and/or SIRIUS mode:

Models	CD changer	SIRIUS	
06 Models	AVN5500	○	○
	AVN50D	○	○
	AVN20D	○	○
	CD2000	○	○
05 Models	AVN7000	○	○
	AVN5495	○	○
	AVN5435	○	○
	AVN30D	○	○
	AVX5000	○	○
	CD8455	○	○
	CD8445	○	○
	CD5435	○	○
	CD5425	○	○
CD5415	○	○	
04 Models	AVN2454	○	-
	AVX2494	○	-
	AVX2404	○	-
	CD8454	○	-
	CD5444	○	-
	CD3434	○	-
	CD3424	○	-

Models	CD changer	SIRIUS	
03 Models	AV8533	○	-
	AV3423	○	-
	CD8053	○	-
	CD8443	○	-
	CD5433	○	-
	CD5423	○	-
	CD3413	○	-
02 Models	AV8132	○	-
	AV8022	○	-
	AV8012	○	-
	55090	○	-
	CD8062	○	-
	CD8052	○	-
	CD5442	○	-
	CD3432	○	-
	CD3422	○	-

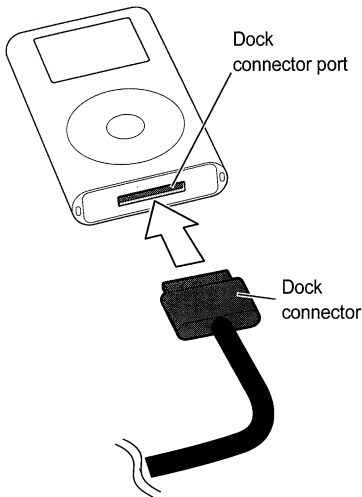
○ : Available - : Not available

Connecting iPod

Connecting iPod

- 1** Turn power to the main unit ON.
- 2** Connect the adapter connector cord to the iPod dock connector.

iPod will begin playing automatically once connected.



CAUTION

- Disconnect headphones and all other accessories from the iPod before connecting it to the adapter. Failure to do so may make it impossible to operate the iPod from the main unit.
- If the iPod's equalizer has been customized, sound output may be distorted when it is connected to the adapter.
- It may not operate, if charge of iPod is insufficient.

ATTENTION

- The iPod will begin playing the music file it was playing before being connected. If the unit cannot detect the music file that was playing previously, it will begin playing from the first music file.
- When the iPod is connected using the optional iPod interface adapter, "ECLIPSE" will be displayed on the iPod. While "ECLIPSE" is displayed, the iPod cannot be operated directly.
- "ECLIPSE" may not be displayed on versions of iPod released in the future.

iPod operation

ATTENTION

The following explanation assumes that iPod has been connected to the main unit using the adapter. For more information on the operation switches for each main unit, see "Operation switches" on page 12.

Listening to iPod music files

1 Switch to CD changer mode or SIRIUS mode

If a CD changer is not connected, select CD changer 1 mode. If a CD changer is connected, select CD changer 2 mode.

The music file that was playing before switching to a different audio mode will be played back.

Advancing to the next music file or returning to the beginning of the music file being played

Switch music files using the following operations for CD changer and SIRIUS modes:

CD changer: change track

SIRIUS: change channel

Repeating the same track (REPEAT)

The current music file can be repeated.

The ALL REPEAT function is activated while iPod is connected.

Playing music files in random order (RANDOM)

Music files from the selected category (can be played back in random order.)

ATTENTION

The main unit is not compatible with the ALBUM RANDOM feature.

Displaying text

The display can be switched to show file names, album names, or other information on the music file being played. This function is only supported in SIRIUS mode.

Information will be displayed in the following item: List name, Album name, Artist name, Song name, other information.

ATTENTION

- Text recorded with characters other than alphanumeric and symbols cannot be displayed.
- Characters that cannot be displayed are displayed as spaces or * (asterisks).
- Performing the operation to display the SIRIUS ID will display the total number of music files stored in iPod.

Searching for music files

Music files can be selected from the main unit using iPod search mode.

1 Select the search mode item (Playlist, Artist, Album and Song) by button operation.

CD changer mode:

Disc change operation.

SIRIUS mode:

SIRIUS band change operation.

The following DISC No. or SIRIUS band displays are shown on the main unit to indicate the search mode item.

DISC No.	SIRIUS band	search mode item
DISC 1	SIRIUS 1	Playlist
DISC 2	SIRIUS 2	Artist
DISC 3	SIRIUS 3	Album
DISC 4	SIRIUS 4	Songs

If SONG is selected, the music files are displayed.

2 Select the list from the applicable search mode item by button operation.

CD changer mode:

FAST FORWARD/REWIND operation.

SIRIUS mode:

Category change operation. (Preset buttons 1 and 2 can also be used to switch the list.)

3 Select the music file.

CD changer mode:

TRACK UP/DOWN operation.

SIRIUS mode:

CHANNEL SELECT operation.

Operation switches

The switch operations corresponding to each function are shown below. This manual shows information only for main units that operate iPod using CD changer or SIRIUS mode. For main units that support iPod controller mode, see the OWNER'S MANUAL for the main unit.

Listening to iPod music files

■ 02 Models

Models	Switch operation
AV8132	<ol style="list-style-type: none"> 1. Press the [SOURCE] button to switch CD changer mode. 2. Press the [BAND] button to select CD changer1 or CD changer2.
AV8022	
AV8012	
55090	1. Press the [DISC] button to select CD Changer1 or CD Changer2.
CD8062	<ol style="list-style-type: none"> 1. Press the [SOURCE] button. 2. Press the [∨ BND ∧] button to select CD Changer1 or CD Changer2.
CD8052	
CD5442	
CD3432	
CD3422	

■ 03 Models

Models	Switch operation
AV8533	<ol style="list-style-type: none"> 1. Press the [DISC] button to select CD Changer1 or CD Changer2.
AV3423	
CD8053	
CD8443	
CD5433	
CD5423	
CD3413	

■ 04 Models

Models	Switch operation
AVN2454	<ol style="list-style-type: none"> 1. Press the [SOURCE] button to select [CDCH1] or [CDCH2].
AVX2494	
AVX2404	<ol style="list-style-type: none"> 1. Press the [SOURCE] button, then touch [CD Changer].
CD8454	<ol style="list-style-type: none"> 1. Press the [DISC] button to select CD Changer1 or CD Changer2.
CD5444	
CD3434	
CD3424	
AVX5000	<p><CD changer mode></p> <p>When the display is raised:</p> <ol style="list-style-type: none"> 1. Press the [MENU] button, then touch [CDCH1] or [CDCH2]. <p>When the display is retracted:</p> <ol style="list-style-type: none"> 1. Press the [SOURCE] button to select the CDC1 or CDC2. <p><SIRIUS mode></p> <p>When the display is raised:</p> <ol style="list-style-type: none"> 1. Press the [MENU] button, then touch [SIRIUS]. <p>When the display is retracted:</p> <ol style="list-style-type: none"> 1. Press the [SOURCE] button to select the SIRIUS.
CD8455	<p><CD changer mode></p> <ol style="list-style-type: none"> 1. Press the [DISC MS] button to select CD Changer1 or CD Changer2. <p><SIRIUS mode></p> <ol style="list-style-type: none"> 1. Press the [FM AM] button for more than one second to select the SIRIUS mode.
CD8445	
CD5435	<p><CD changer mode></p> <ol style="list-style-type: none"> 1. Press the [DISC] button to select CD Changer1 or CD Changer2. <p><SIRIUS mode></p> <ol style="list-style-type: none"> 1. Press the [FM AM] button for more than one second to select the SIRIUS mode.
CD5425	
CD5415	

■ 05 Models

Models	Switch operation
AVN7000	<p><CD changer mode></p> <p>When the display is raised:</p> <ol style="list-style-type: none"> 1. Press the [VOL] button, then touch [CD CHANGER1] or [CD CHANGER2]. <p>When the display is retracted:</p> <ol style="list-style-type: none"> 1. Press the [VOL] button. 2. Turn the [VOL] button to select the CDC1 or CDC2. 3. Press the [VOL] button. <p><SIRIUS mode></p> <p>When the display is raised:</p> <ol style="list-style-type: none"> 1. Press the [VOL] button, then touch [SIRIUS]. <p>When the display is retracted:</p> <ol style="list-style-type: none"> 1. Press the [VOL] button. 2. Turn the [VOL] button to select the SIRIUS. 3. Press the [VOL] button.
AVN5495	<ol style="list-style-type: none"> 1. Press the [SOURCE MENU], then touch the [CD CHANGER1] or [CD CHANGER2].
AVN5435	<p><CD changer mode></p> <ol style="list-style-type: none"> 1. Press the [(SOURCE) MENU], then touch the [CD CHANGER1] or [CD CHANGER2]. <p><SIRIUS mode></p> <ol style="list-style-type: none"> 1. Press the [(SOURCE) MENU], then touch [SIRIUS].
AVN30D	<p><CD changer mode></p> <ol style="list-style-type: none"> 1. Press the [(AUDIO) SOURCE], then touch the [CD ch1] or [CD ch2]. <p><SIRIUS mode></p> <ol style="list-style-type: none"> 1. Press the [(AUDIO) SOURCE], then touch the [SIRIUS].

■ 06 Models

Models	Switch operation
AVN5500	<p><CD changer mode></p> <ol style="list-style-type: none"> 1. Press the [(SOURCE) MENU], then touch the [CD CHANGER1] or [CD CHANGER2]. <p><SIRIUS mode></p> <ol style="list-style-type: none"> 1. Press the [(SOURCE) MENU], then touch [SIRIUS].
AVN50D	
AVN20D	

Models	Switch operation
CD2000	<p><CD changer mode></p> <ol style="list-style-type: none"> 1. Press the [DISC] button to select CD Changer1 or CD Changer2. <p><SIRIUS mode></p> <ol style="list-style-type: none"> 1. Press the [FM AM] button for more than one second to select the SIRIUS mode.

Advancing to the next music file or returning to the beginning of the music file being played

■ 02 Models

Models	Switch operation
AV8132	1. Press the [TUNE/TRACK] button.
AV8022	
AV8012	
55090	1. Press the [∇ ▲] button.
CD8062	1. Press the [∇ TU ▲] button.
CD8052	
CD5442	
CD3432	
CD3422	

■ 03 Models

Models	Switch operation
AV8533	1. Press the [TUNE TRACK] button for less than one second.
AV3423	
CD8053	1. Turn the [SEL] button.
CD8443	
CD5433	
CD5423	
CD3413	

■ 04 Models

Models	Switch operation
AVN2454	1. Press the [TUNE TRACK] button for less than one second.
AVX2494	
AVX2404	
CD8454	1. Turn the [SEL] button.
CD5444	
CD3434	
CD3424	

■ 05 Models

Models	Switch operation
AVN7000	1. Press the [TUNE TRACK] button for less than one second.
AVN5495	
AVN5435	
AVN30D	
AVX5000	
CD8455	1. Turn the [SEL] button.
CD8445	
CD5435	
CD5425	
CD5415	

■ 06 Models

Models	Switch operation
AVN5500	1. Press the [TUNE TRACK] button for less than one second.
AVN50D	
AVN20D	
CD2000	1. Turn the [SEL] button.

Repeating the same music file (REPEAT)

■ 02 Models

Models	Switch operation
AV8132	1. Touch [REPEAT].
AV8022	
AV8012	
55090	1. Press the [5 (RPT)] button.
CD8062	
CD8052	
CD5442	
CD3432	
CD3422	

■ 03 Models

Models	Switch operation
AV8533	1. Touch [RPT].
AV3423	
CD8053	1. Press the button [5 (REPEAT)].
CD8443	
CD5433	
CD5423	
CD3413	

■ 04 Models

Models	Switch operation
AVN2454	1. Touch [RPT].
AVX2494	
AVX2404	1. Touch [REPEAT].
CD8454	1. Press the button [5 (REPEAT)].
CD5444	
CD3434	
CD3424	

■ 05 Models

Models	Switch operation
AVN7000	<CD changer mode>
AVN5495	1. Touch [FUNC]. 2. Touch [RPT].
AVX5000	
	<SIRIUS mode>
	1. Touch [REPEAT].
AVN30D	<CD changer mode>
AVN5435	1. Touch [FUNC]. 2. Touch [REPEAT].
	<SIRIUS mode>
	1. Touch [REPEAT].
CD8455	1. Press the button [5 (REPEAT)].
CD8445	
CD5435	
CD5425	
CD5415	

■ 06 Models

Models	Switch operation
AVN5500	1. Touch [RPT].
AVN50D	
AVN20D	
CD2000	1. Press the button [5 (RPT)].

Playing music files in random order (RANDOM)

■ 02 Models

Models	Switch operation
AV8132	1. Touch [RANDOM].
AV8022	
AV8012	
55090	1. Press the button [6 (RAND)].
CD8062	
CD8052	
CD5442	
CD3432	
CD3422	

■ 03 Models

Models	Switch operation
AV8533	1. Touch [RAND].
AV3423	
CD8053	1. Press the button [6 (RAND)].
CD8443	
CD5433	
CD5423	
CD3413	

■ 04 Models

Models	Switch operation
AVN2454	1. Touch [RAND].
AVX2494	
AVX2404	1. Touch [RANDOM].
CD8454	1. Press the button [6 (RAND)].
CD5444	
CD3434	
CD3424	

■ 05 Models

Models	Switch operation
AVN7000	<CD changer mode> 1. Touch [FUNC]. 2. Touch [RAND]. <SIRIUS mode> 1. Touch [RAND].
AVN5495	<CD changer mode> 1. Touch [FUNC]. 2. Touch [RAND].
AVX5000	<CD changer mode> 1. Touch [FUNC]. 2. Touch [RANDOM]. <SIRIUS mode> 1. Touch [RANDOM].
AVN30D	<CD changer mode>
AVN5435	1. Touch [RAND].
	<SIRIUS mode> 1. Touch [RAND].
CD8455	<CD changer mode>
CD8445	1. Press button [6 RAND].
CD5435	
CD5425	<SIRIUS mode>
CD5415	1. Press button [6 RAND].

■ 06 Models

Models	Switch operation
AVN5500	1. Touch [RAND].
AVN50D	
AVN20D	
CD2000	1. Press the button [6 (RAND)].

Displaying text

■ 05 Models

Models	Switch operation
AVN7000	1. Touch [TITLE]. Touch [TITLE OFF] to return the previous screen.
AVN5435	
AVN30D	
AVX5000	
CD8455	1. Press the [DISP] button for more than one second.
CD8445	
CD5435	
CD5425	
CD5415	

■ 06 Models

Models	Switch operation
AVN5500	1. Touch [TITLE]. Touch [TITLE OFF] to return the previous screen.
AVN50D	
AVN20D	
CD2000	1. Press button [DISP] for more than one second. When button is pressed, the text changes in the following order. RPT/RAND MODE → List name → Song name → Artist name → Number of music

Searching for music files

■ 02 Models

Models	Switch operation
AV8132	<ol style="list-style-type: none"> 1. Touch disc change switch (from [DISC1] to [DISC4]) to select the search mode. 2. Press and hold the [TUNE TRACK] button to select the list. 3. Press the [TUNE/TRACK] button to select the music file.
AV8022	
AV8012	
55090	<ol style="list-style-type: none"> 1. Press the [∨ DISC ∧] button to select the search mode. 2. Press and hold the [∨ ∧] button to select the list. 3. Press the [∨ ∧] button to select the music file.

■ 03 Models

Models	Switch operation
AV8533	<ol style="list-style-type: none"> 1. Touch disc change switch (from [DISC1] to [DISC4]) to select the search mode. 2. Press and hold the [TUNE TRACK] button to select the list. 3. Press the [TUNE TRACK] button for less than one second to select the music file.
AV3423	
CD8053	<ol style="list-style-type: none"> 1. Press the button [1] or [2] to select the search mode. 2. Press and hold the [SEEK ∧] or [FAST ∨] button to select the list. 3. Turn the [SEL] button to select the music file.
CD8443	
CD5433	
CD5423	
CD3413	

■ 04 Models

Models	Switch operation
AVN2454	<ol style="list-style-type: none"> 1. Touch disc change switch (from [1] to [4]) to select the search mode. 2. Press and hold the [TUNE TRACK] button to select the list. 3. Press the [TUNE TRACK] button for less than one second to select the music file.
AVX2494	
AVX2404	<ol style="list-style-type: none"> 1. Touch disc change switch (from [DISC1] to [DISC4]) to select the search mode. 2. Turn the [TUNE TRACK] button until a beep is heard to select the list. 3. Turn the [TUNE TRACK] button for less than one second to select the music file.
CD8454	<ol style="list-style-type: none"> 1. Press the button [1] or [2] to select the search mode. 2. Press and hold the [SEEK ∧] or [FAST ∨] button to select the list. 3. Turn the [SEL] button to select the music file.
CD5444	
CD3434	
CD3424	

■ 05, 06 Models

Models	Switch operation
AVN7000	<p><CD changer mode></p> <ol style="list-style-type: none"> 1. Touch disc change switch (from [1] to [4]) to select the search mode. 2. Press and hold the [TUNE TRACK] button to select the list. 3. Press the [TUNE TRACK] button for less than one second to select the music file. <p><SIRIUS mode></p> <ol style="list-style-type: none"> 1. Touch [FUNC]. 2. Touch [BAND] to select the search mode. 3. Touch [▶]. 4. Touch [1 <<] or [2 >>] to select the list. 5. Press the [TUNE TRACK] button for less than one second to select the music file.

Models	Switch operation
AVN5495	<ol style="list-style-type: none"> 1. Touch disc change switch (from [1] to [4]) to select the search mode. 2. Press and hold the [TUNE TRACK] button to select the list. 3. Press the [TUNE TRACK] button for less than one second to select the music file.
AVN5435	<p><CD changer mode></p> <ol style="list-style-type: none"> 1. Touch disc change switch (from [1] to [4]) to select the search mode. 2. Press and hold the [TUNE TRACK] button to select the list. 3. Press the [TUNE TRACK] button for less than one second to select the music file. <p><SIRIUS mode></p> <ol style="list-style-type: none"> 1. Touch [BAND] to select the search mode. 2. Touch [1<<] or [2 >>] to select the list. 3. Press the [TUNE TRACK] button for less than one second to select the music file.
AVN5500	
AVN50D	
AVN20D	
AVN30D	<p><CD changer mode></p> <ol style="list-style-type: none"> 1. Touch disc change switch (from [1] to [4]) to select the search mode. 2. Press and hold the [TUNE TRACK] button to select the list. 3. Press the [TUNE TRACK] button for less than one second to select the music file. <p><SIRIUS mode></p> <ol style="list-style-type: none"> 1. Touch [BAND] to select the search mode. 2. Touch [<<] or [>>] to select the list. 3. Press the [TUNE TRACK] button for less than one second to select the music file.

Models	Switch operation
AVX5000	<p><CD changer mode></p> <ol style="list-style-type: none"> 1. Touch disc change switch (from [Disc1] to [Disc4]) to select the search mode. 2. Press and hold the [TUNE TRACK] button or [▲], [▼] switch to select the list. 3. Press the [TUNE TRACK] button for less than one second to select the music file. <p><SIRIUS mode></p> <ol style="list-style-type: none"> 1. Touch [BAND] to select the search mode. 2. Touch [<<] or [>>] to select the list. 3. Press the [TUNE TRACK] button for less than one second to select the music file.
CD8455	<p><CD changer mode></p> <ol style="list-style-type: none"> 1. Press the button [1] or [2] to select the search mode. 2. Press and hold the [^] or [v] button to select the list. 3. Turn the [SEL] button to select the music file. <p><SIRIUS mode></p> <ol style="list-style-type: none"> 1. Press the [FM AM] button to select the search mode. 2. Press and hold the [^] or [v] button to select the list. 3. Turn the [SEL] button to select the music file.
CD8445	
CD5435	
CD5425	
CD5415	
CD2000	

If you have a question

When the following message is displayed...

Displayed messages will vary depending on the model of the head unit and the controller mode used. Use the table below to find the message number corresponding to the displayed message, and use it to identify the cause and remedy in the troubleshooting table on the following page. The message number displayed may differ according to the model being used. Please contact your dealer for further information.

■ Displayed messages

iPod controller mode

AVN/AVX models	AUDIO models	Message number
No iPod	No iPod	①
READING..	READING..	②
NO DATA	NO DATA	③
ERROR1	ERROR1	④
ERROR2	ERROR2	⑤

CD changer mode

AVN/AVX models	AUDIO models	Message number
No DISC	INFO 2	①
CD SEEK	LOAD	②
DISC ERROR	INFO 5	③, ⑤
CHECK DISC	INFO 3	④
DISC ERROR	INFO 5	③, ⑤

SIRIUS mode

AVN/AVX models	AUDIO models	Message number
ACQUIRING	ACQUIRING	①, ⑤
UPDATING	UPDATING	②
(no display)	(no display)	③
ANTENNA	ANTENNA	④

■ Troubleshooting

Message number	Cause	What to do
①	iPod is not connected	Make sure iPod is connected correctly
②	iPod is sending data	Wait until the message disappears before operating
③	There are no music files stored in iPod	Make sure music file data is stored in iPod
④	iPod stopped sending data for some reason	Check connection with iPod
⑤	iPod software not supported	Check iPod software

Specifications

<GENERAL>

Power Supply	13.2V DC (10.5-16V)
Dimensions (W x H x D)	4-3/4" x 1-1/4" x 3-1/2" (120 x 32 x 90mm)
Mass (weight)	Approx. 0.3kg
Usage temperature range	-20°C to +65°C (-4°F to +149°F)
Storage temperature range	-40°C to +85°C (-20°F to +185°F)

How to contact customer service

Should the product require service, please contact the following Eclipse dealer near your house.

<U.S.A/CANADA>

Fujitsu Ten Corp. of America
19600 South Vermont Avenue, Torrance, CA 90502
Phone: (310) 327-2151

<AUSTRALIA>

Fujitsu Ten (Australia) PTY LTD.
89 Cook Street Port Melbourne, Victoria 3207, Australia
Phone: 1800 211 411

<MALAYSIA>

CSE Automotive Technologies Sdn. Bhd.
Level 5, Axis Plaza, Jalan U1/44, Glenmarie, 40150 Shah Alam,
Selangor D.E., Malaysia.
Phone: 03-5569-4200
Fax: 03-5569-4201

<SINGAPORE>

Cobra Singapore Pte Ltd
#07-02, King's Centre 390, Havelock Road Singapore 169662
Phone: 6737 2568
Fax : 6737 9538

<KOREA>

Transpectra Co., Ltd.
115-16 nonhyun dong kangnam ku Seoul, Korea.
Phone: 02-540-4595
Fax: 02-2-540-4666

<TAIWAN>

Sentrek Taiwan, LTD.
1, 9F, Lane 155, Section 3, Peishen RD., Shengkeng, Taipei Hsien, 222
Taiwan, R.O.C.
Phone: 02-2662-8110
Fax: 02-2662-8117

<THAILAND>

Sho-Ten Co., Ltd.
114/9 Soi Suwansawadi, Thungmahamek, Rama 4 Rd., Sathorn,
Bangkok 10120, Thailand.
Phone: 02-671-9610-12
Fax: 02-671-9614

⚠ CAUTION

Be sure to disconnect the vehicle's negative battery cable, as well as any additional power sources before installing this product.

Components

No.	Item	Q'ty
1	Adapter unit	1
2	Waterproof cushion	1
3	Interconnecting cable (Portable HDD audio cable)	1
4	Interconnecting cable (Power cable)	1
5	13 Pin DIN cable (1.5 m)	1
6	Hook fastener tape	2
7	Loop fastener tape	2
8	Clamp	3
9	Cable tie	4
10	Harness fixing tape	3

Setting the system-selector switch

The system selector switch must be set according to the main unit and peripheral device being connected.

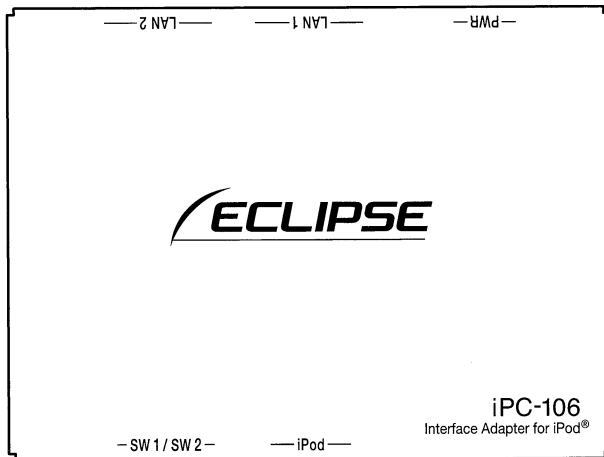
Set the switch according to the table below:

	SW1	SW2
Default setting	B	B
Connecting to a main unit produced in 2006*1 (Models that support iPod controller mode only: see page 8.)	B	B
Connecting to a main unit produced in 2005*2 (Models that support SIRIUS mode only: see page 8.)	B	A
Connecting to a main unit produced between 2002 and 2004 (Models that support CD changer mode only: see page 8.)	A	A

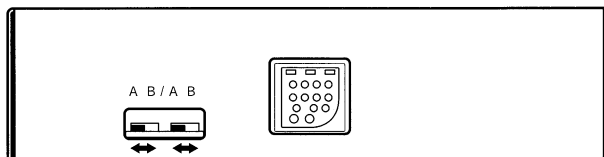
● Caution ●

- *1: The SIRIUS unit cannot be connected if iPod is being used with a main unit produced in 2005 in SIRIUS mode. Use CD changer mode if using the SIRIUS unit and iPod adapter simultaneously.
- *2: If connecting iPod to a main unit produced between 2002 and 2004, 2 CD changers cannot be connected simultaneously. If 2 CD changers are already connected to the main unit, one of them must be disconnected before iPod can be used.

■ iPod adapter top view



■ iPod adapter side view

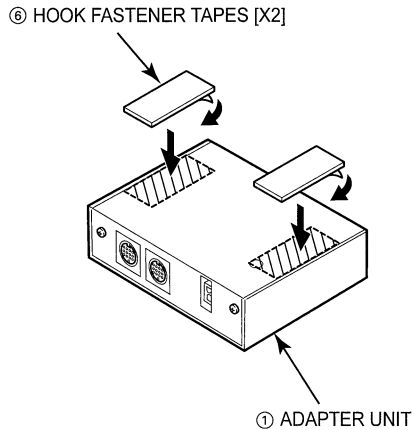


Mounting instructions

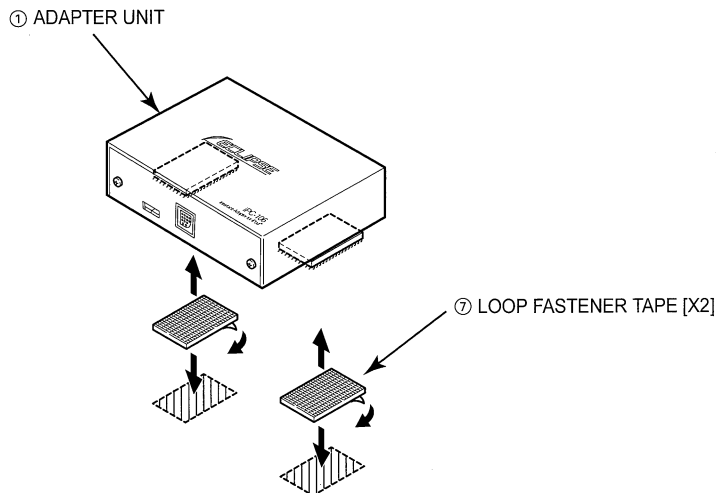
The unit must be mounted at a well ventilated area of the vehicle.

Recommended areas include: -Under the Seat area (example)-

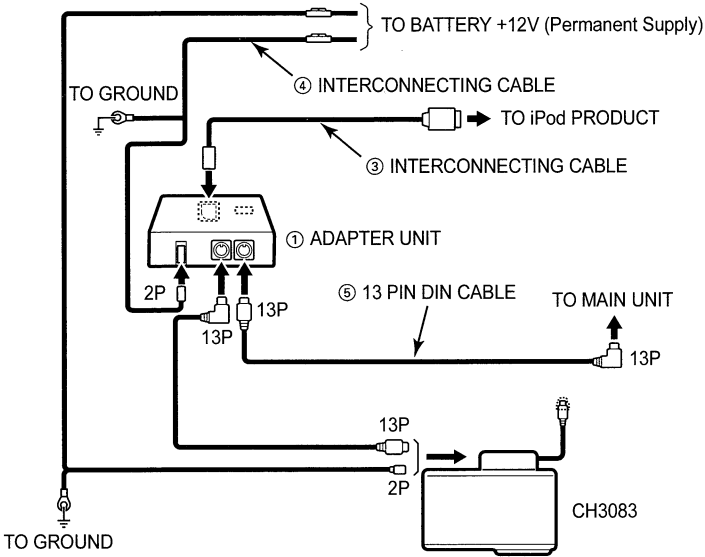
1 Attach the hook fastener tapes to the iPod adapter unit.



2 Attach the loop fastener tapes to the floor and attach the iPod adapter unit.



System example



MEMO

MEMO

CUSTOMER NOTICE

Please retain this booklet and write in the serial number of your iPC-106 for identification. The serial number is labeled or stamped on the chassis.

Serial No.

FUJITSU TEN LIMITED
Contact: FUJITSU TEN CORP. OF AMERICA
19600 So. Vermont Avenue, Torrance, CA 90502
Call: 800-233-ECLIPSE

www.eclipse-web.com

"ECLIPSE" is a registered trademark of FUJITSU TEN LIMITED in 50 countries.

090001-14820700 0512C (F.O)

【CORRECTION】

The following are correction to errors which appear in the Owner's Manual for the iPC-106.

【WRONG】

P.12 Operation switches

■04 Models

AVX5000
CD8455
CD8445
CD5435
CD5425
CD5415

P.24 Components

No.	Item	Q'ty
1	Adapter unit	1
2	Waterproof cushion	1
3	Interconnecting cable (Portable HDD audio cable)	1
4	Interconnecting cable (Power cable)	1
5	13 Pin DIN cable (1.5 m)	1
6	Hook fastener tape	2
7	Loop fastener tape	2
8	Clamp	3
9	Cable tie	4
10	Harness fixing tape	3

P.25 Setting the system-selector switch

	SW 1	SW 2
Default setting	B	B
Connecting to a main unit produced in 2006*1 (Models that support iPod controller mode only: see page 8.)	B	B
Connecting to a main unit produced in 2005*2 (Models that support SIRIUS mode only: see page 8.)	B	A
Connecting to a main unit produced between 2002 and 2004 (Models that support CD changer mode only: see page 8.)	A	A

【CORRECT】

■05 Models

AVX5000
CD8455
CD8445
CD5435
CD5425
CD5415

No.	Item	Q'ty
1	Adapter unit	1
2	Waterproof cushion	1
3	Interconnecting cable (Portable HDD audio cable)	1
4	Interconnecting cable (Power cable)	1
5	13 Pin DIN cable (1.5 m)	1
6	Hook fastener tape	2
7	Loop fastener tape	2
8	Clamp	3
9	Cable tie	4
10	Harness affixing tape	3

(Not Included)

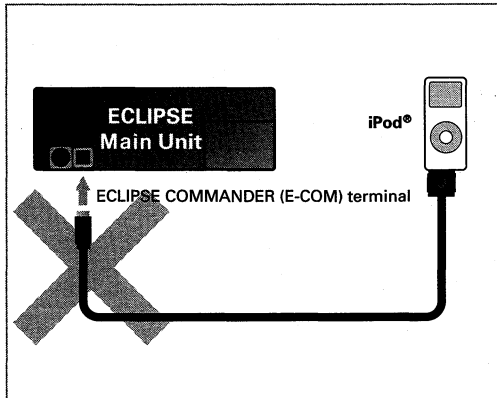
	SW 1	SW 2
Default setting	B	B
Connecting to a main unit produced in 2006*1 (Models that support iPod controller mode only: see page 8.)	B	B
Connecting to a main unit produced in 2005*2 (Models that support SIRIUS mode only: see page 8.)	A	B
Connecting to a main unit produced between 2002 and 2004 (Models that support CD changer mode only: see page 8.)	A	A

WARNING

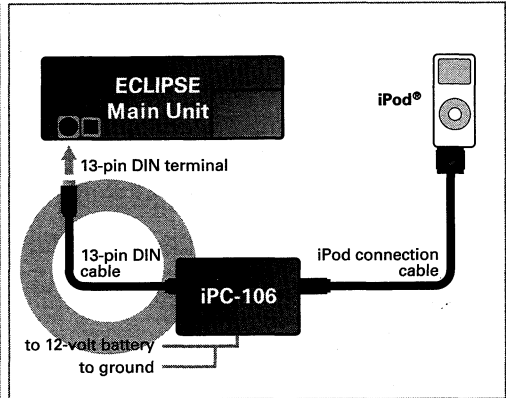
DO NOT connect an iPod® directly to the ECLIPSE head unit!

ECLIPSE models have an ECLIPSE COMMANDER (E-COM) terminal with the same shape as that of the iPod® interface adapter (IPC-106). The ECLIPSE COMMANDER (E-COM) terminal is not compatible with the iPod®. DO NOT connect the iPod® connection cable (included with the iPC-106) to the ECLIPSE Main unit, as it could cause a short circuit resulting in serious malfunction or permanent damage to the Main unit. Please read your manual carefully before installation.

INCORRECT:



CORRECT:



CAUTION

Your iPod may not play properly in case that:

- The iPod is left in sleep for a long time (about 24 hours) and then connected to this equipment.
- The iPod is left connecting to this equipment with ignition OFF for a long time (about 24 hours).

In these case, following messages will appear on the display of your main unit.

Supported mode	Displayed message
iPod full controller mode	ERROR1
CD changer mode	INFO3 or CHECK DISC
SIRIUS mode	ANTENNA

To avoid, please make sure your iPod power is ON before connecting.

To start playing music in the iPod as the message appears, do the any of following operations.

- Disconnect the cable from the iPod and then connect them again.
- Switch the audio mode to another source and then back to iPod mode again.
- Turn the ignition key to OFF and then turn to ON or ACC again.

090006-07600700
0601MT (F)



IMPORTANT

RECORD YOUR "KEY CD" HERE...

STORE YOUR "KEY CD"
IN SAFE PLACE.



FUJITSU TEN CORP. OF AMERICA
19600 S. Vermont Avenue, Torrance, CA 90502

PLACE
FIRST-CLASS
STAMP
HERE

FUJITSU TEN CORP. OF AMERICA
Warranty Registration
19600 S. Vermont Avenue
Torrance, CA 90502

ECLIPSE LIMITED WARRANTY

Eclipse (a division of Fujitsu Ten Corp. of America) hereby warrants your Eclipse product to be free from defects in material and workmanship for a period of one year from the original date of purchase. This warranty applies only to the original consumer-purchaser (this warranty is not transferable), and only when this product is originally purchased from an authorized Eclipse retailer in the United States or Canada.

For a period of one year from the date of original purchase, in the unlikely event that your Eclipse unit should fail, Eclipse shall, under this warranty, repair or replace with a like model any unit which is defective in material or workmanship, if returned to an authorized Eclipse retailer, transportation prepaid. Eclipse shall either repair or replace, at its sole discretion, the Eclipse product at no charge to the original purchaser during the warranty period. Service work must be performed by an authorized Eclipse service department or retailer in order for the owner to receive the benefits of this warranty.

Eclipse shall not refund, nor be responsible for, any expenses paid or incurred by the owner under this warranty.

THERE ARE NO WARRANTIES, WHICH EXTEND BEYOND THE DESCRIPTION ON THE FACE HEREOF.

EXCLUSIONS FROM ECLIPSE'S LIMITED WARRANTY

This warranty shall not cover:

1. Elimination of car static, motor noise, or other electrical interference, correction of problems resulting from the antenna system, CD's, MD's, tape cartridges and/or audio cables, etc.
2. Any defects in the opinion of Eclipse, caused by abuse, misuse, accident (including any damages caused by acts of God such as flood, lightning, or fluctuation in electrical power), liquid damage or damage caused by attempted theft or negligent use. Failure to perform reasonable and necessary maintenance, improper installation (such as insufficient grounding), improper installation of other components, modification or service by non-authorized Eclipse Service Department, use of component parts not approved by Eclipse. Damage caused in transit or in handling, or when the model's serial number has been removed, altered or defaced.
3. Cosmetic damage, accessories (such as magazines or remotes) or problems or damage caused by the application or use of defective media.
4. Normal wear, tear, battery replacement and any periodic maintenance.
5. Does not cover removal and reinstallation of product.

THIS WARRANTY IS IN LIEU OF ALL OTHER EXPRESS OR IMPLIED WARRANTIES, STATEMENTS OR REPRESENTATIONS, AND UNLESS STATED HEREIN, ALL SUCH WARRANTIES, STATEMENTS OR REPRESENTATIONS MADE BY ANY PERSON OR FIRM ARE VOID. ALL IMPLIED WARRANTIES IN CONNECTION WITH THIS SALE, INCLUDING THE WARRANTY OF MERCHANTABILITY AND THE WARRANTY OF FITNESS FOR A PARTICULAR USE, ARE HEREBY MODIFIED TO EXIST ONLY AS CONTAINED IN THIS LIMITED WARRANTY, AND SHALL BE OF THE SAME DURATION AS THE WARRANTY PERIOD STATED ABOVE. SOME STATES DO NOT ALLOW LIMITATIONS ON HOW LONG AN IMPLIED WARRANTY LASTS, SO THE ABOVE LIMITATION MAY NOT APPLY TO YOU.

IN THE EVENT THAT YOUR ECLIPSE PRODUCT SHALL PROVE DEFECTIVE IN WORKMANSHIP OR MATERIALS, YOUR SOLE REMEDY SHALL BE THE REPAIR OR REPLACEMENT REMEDY AS STATED IN THIS WARRANTY, AND UNDER NO CIRCUMSTANCES SHALL ECLIPSE BE LIABLE FOR ANY LOSS OR DAMAGE, WHETHER DIRECT, INCIDENTAL OR CONSEQUENTIAL, ARISING OUT OF THE USE OF, OR INABILITY TO USE, THIS ECLIPSE PRODUCT. SOME STATES DO NOT ALLOW THE EXCLUSION OR LIMITATION OF INCIDENTAL OR CONSEQUENTIAL DAMAGES, SO THE ABOVE LIMITATION OR EXCLUSION MAY NOT APPLY TO YOU.

TO OBTAIN WARRANTY SERVICE YOU MUST GO BACK TO AN AUTHORIZED ECLIPSE RETAILER WITHIN THE WARRANTY PERIOD. YOUR PROOF OF PURCHASE, SUCH AS A BILL OF SALE OR RECEIPTED INVOICE THAT INDICATES THAT THE UNIT IS WITHIN THE WARRANTY PERIOD, MUST BE PRESENTED TO OBTAIN WARRANTY SERVICE. YOU WILL BE RESPONSIBLE FOR SHIPPING CHARGES TO ECLIPSE. ECLIPSE WILL REPAIR THE DEFECTIVE UNIT OR REPLACE IT, AT ITS SOLE DISCRETION, WITH A LIKE MODEL, WITHOUT CHARGE IF ALL WARRANTY CONDITIONS ARE MET. ECLIPSE WILL COVER SHIPPING CHARGES TO RETURN THE UNIT TO YOU.

145001-40700161

iPC-106



Please detach here before mailing.

090000-01250700 0501MT(N)



Model Number:

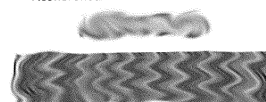
145001-40700161

iPC-106



Please print or type the information listed below and mail.

Serial Number:



Retailer's Name: _____

Street: _____

City: _____ State: _____ Zip: _____

Date of Purchase: _____ - _____ - _____
Month Day Year

Car Make: _____ Car Model: _____ Year: _____

Mr. Mrs. Ms. Miss

Owner's Name: _____
First Name Initial Last Name

Street: _____ Unit No. _____

City: _____ State: _____ Zip: _____

Phone Number: _____ - _____ Mother's Maiden Name: _____

Installer: _____ Install Date: _____
Month Day Year

Owner's E-mail Address _____

Comments: _____

We will be sending you a questionnaire to assist us in developing new products for you.

Which method is most convenient? E-mail Mail

Thank You.

Free Manuals Download Website

<http://myh66.com>

<http://usermanuals.us>

<http://www.somanuals.com>

<http://www.4manuals.cc>

<http://www.manual-lib.com>

<http://www.404manual.com>

<http://www.luxmanual.com>

<http://aubethermostatmanual.com>

Golf course search by state

<http://golfingnear.com>

Email search by domain

<http://emailbydomain.com>

Auto manuals search

<http://auto.somanuals.com>

TV manuals search

<http://tv.somanuals.com>