

***PRODUCT MANUAL- M092***  
***MODEL 350 & 350XL PRODUCE***  
***SLICER***



*Please read thoroughly before operation and keep for future reference*

## SAFETY

**WARNING: THE BLADES ARE VERY SHARP! BE SURE NOT TO TOUCH THE CUTTING EDGE OF THE BLADES.**



### **WARNING**

To avoid risk of electrical shock, this slicer must be grounded and plug must not be altered.

## Grounding/Earthing Instructions

Slicer MUST be grounded. Grounding reduces risk of electric shock by providing an escape wire for the electric current, if a electrical short occurs. This slicer is equipped with a cord having a grounding wire with a grounding plug. The plug must be plugged into an outlet that is properly installed and grounded.



## LABELS

### L001

- WARNING -

Before removing any components from slicer, turn switch off & unplug cord.  
To clean, unscrew knob on top of machine and remove handle assembly and cover. Remove blade assembly by lifting to disengage pins from the drive links.

- WARNING -

Keep fingers from cutting surfaces of blade. Wash handle assembly, blade assembly, and cover with mild soap and water. After cleaning, replace blade assembly being sure plastic guides are on the rails and that both pins are in the holes in the drive links. Replace cover and handle assembly and fasten handle knob securely.

- WARNING -

Check to be sure handle knob is securely tightened every time slicer is to be used. Slicer is set to turn on at an approximate height of 3 1/2 inches above blades. Do not increase this dimension or the operating switch will be damaged.

L001

*Please read thoroughly before operation and keep for future reference*

## I. SPECIFICATIONS

<b>MODEL NO.</b>	<b>350, 350XL</b>
Power Requirement	115 volt, 1.5 Amp, 50-60 HZ
	230 volt, 0.8 Amp, 50-60 HZ
Speed	600 – 750 RPM for drive cam assembly
Slice Thickness	3/16 inch, 1/4 inch, 3/8 inch standard slice thickness*
Size 350	12" W x 14-1/2" H x 18.5" D (305mm x 368mm x 470mm)
Size 350 XL	12" W x 14-1/2" H x 20" D (305mm x 368mm x 508mm)
Weight 350	19.1 lb. (8.7 kg)
Weight 350 XL	20.5 lb. (9.3 kg)

\*Measured from center of blade to center of blade. There are other sizes available upon request. Call factory or your dealer.

## II. SLICER DESCRIPTION

The Model 350, 350XL electric produce slicer is designed to slice tomatoes, oranges, peppers and other soft products into multiple slices with a single stroke. It will slice produce up to 3-1/2 inches in diameter. The 350 slicer throat length is 4.25", while the 350 XL is 5.75". The slicing of any hard, dense produce such as onions or potatoes will void the warranty and will severely damage the blades and the pusher fingers. The slicer is approved by the appropriate certifying organizations.

The slicer is manufactured of stainless steel and aluminum and it can be easily disassembled for cleaning and/or maintenance.

**NOTE:** All slicers manufactured starting 2009 have the style pusher assembly A1500 and use either the PI368 3/16"-3/8" Pusher Insert or PI014 1/4" Pusher Insert. The insert is a plastic resin (lexan) design.

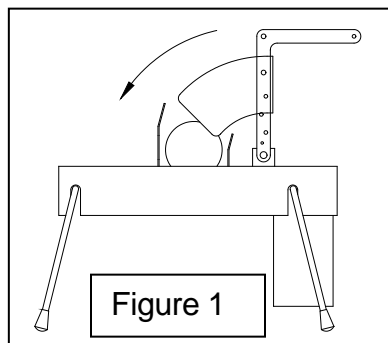
### III. Operating Instructions

**CAUTION: WITH POWER SWITCH OFF, CHECK TO BE SURE THAT PUSHER SECURING KNOB IS TIGHT AND PUSHER FINGERS ARE CENTERED BETWEEN THE BLADES THE FIRST TIME SLICER IS USED AND AFTER CLEANING OR MAINTENANCE.** FOR PUSHER ASSEMBLY ALIGNMENT AND ADJUSTING PROCEDURE, SEE PAGE 9.

To operate the slicer, plug the power cord into a grounded outlet with the same voltage as listed on the legend plate located on the side of the motor cover. Lift the pusher assembly so that it rotates about its hinge point and raise it until the pusher arms are vertical. Turn the on and off switch, located on the side of the motor cover, to the on position. The slicer motor should not start. Place a tomato or any other soft product that is to be sliced in the center of the bank of blades of the blade carrier assembly, with the product to be sliced orientated in the desired direction.

**WARNING: THE BLADES ARE VERY SHARP! BE SURE NOT TO TOUCH THE CUTTING EDGE OF THE BLADES.**

1. Lower the pusher assembly toward the blades. The slicer motor will start when the pusher reaches a pre-set distance from the blades. Keep lowering the pusher assembly until the pusher fingers contact the product to be sliced and continue the downward motion using a very light downward force until the product is completely sliced. (See Figure 1).



Lift the pusher assembly to its original position. The slicer motor will stop and another product can be placed on the blades and the slicing process can be repeated.

The pre-set activation distance can be adjusted by loosening the thumb screw, on the side of the pusher head, and rotating the metal cam. Retighten thumb screw once desired activation height is achieved.

**WARNING: NEVER FORCE PUSHER ASSEMBLY DOWN. USE A LIGHT DOWNWARD PRESSURE ONLY OR BLADES AND PUSHER FINGERS WILL BECOME DAMAGED.**

#### IV. Cleaning and Maintenance Instructions

**WARNING: NEVER CLEAN OR MAINTAIN THE ELECTRIC SLICER WITHOUT TURNING THE ON AND OFF SWITCH TO THE OFF POSITION AND UNPLUGGING POWER CORD FROM POWER SOURCE.**

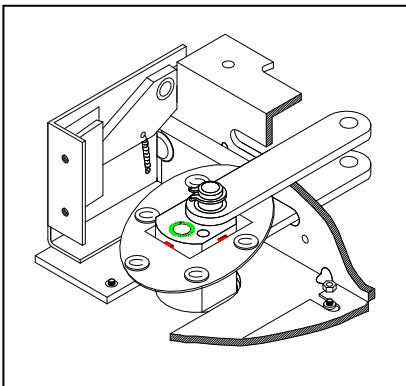


FIGURE #2

1. The pusher assembly, cover and blade carrier assembly is easily removed for cleaning. In order to remove these items, loosen the pusher assembly retaining screw and lift the pusher assembly off the unit. Remove the cover and remove the blade carrier assembly by first turning the cam assembly until the top pin is towards the front of the slicer. (See Figure 2.)

2. Lift the blade carrier off the unit.

3. **IMPORTANT:** To avoid injury, blade carrier should be stored and washed sharp side down in provided wash/storage guide. **If you do not have this guide one should be ordered as Edlund part #A350 (A350L for XL version).**

4. For the Pusher Assembly, follow the disassembly procedure below for cleaning parts, replacing a damaged pusher insert or changing slice size.

**CAUTION: ALWAYS MATCH BLADE SIZE TO PUSHER INSERT SIZE. DAMAGE TO BLADES, AND OR PUSHER FINGERS CAN OCCUR IF INCORRECTLY MATCHED.**

- A) Open Pusher Assembly to full open position using handle. The Pusher Open Stop should be resting on cover as seen in figure 3 below.
- B) Squeeze Insert Tabs in toward each other to release Insert. Pull Insert straight out away from Pusher. See figure 4.
- C) Slide Guard GR011 up approx. ½" then lift Guard straight out away from Pusher Frame. See figure 5.

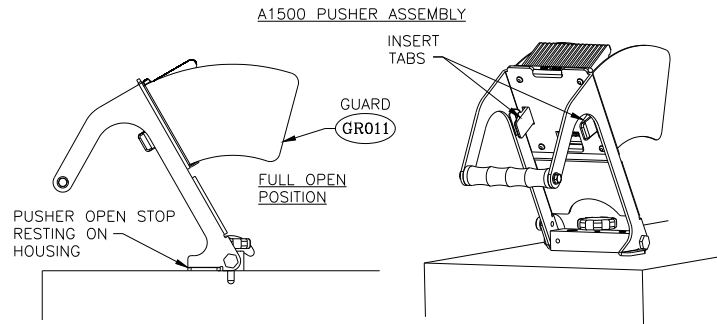


FIGURE 3

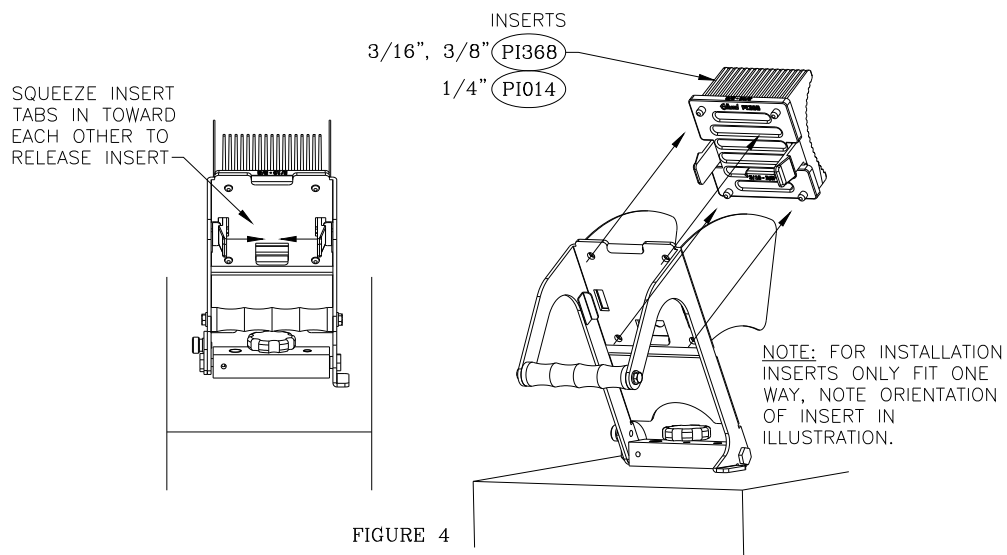


FIGURE 4

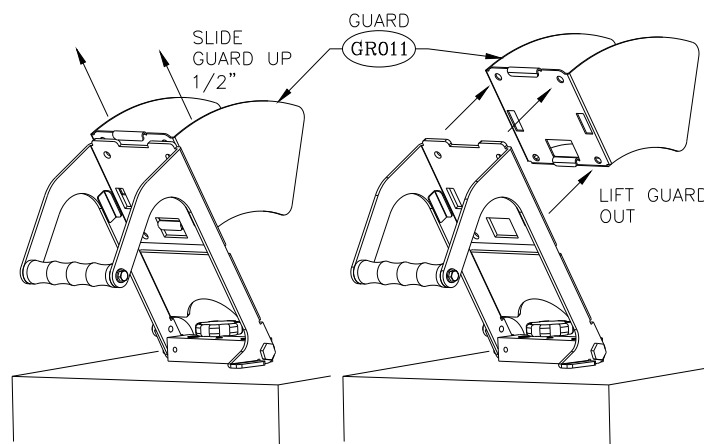


FIGURE 5

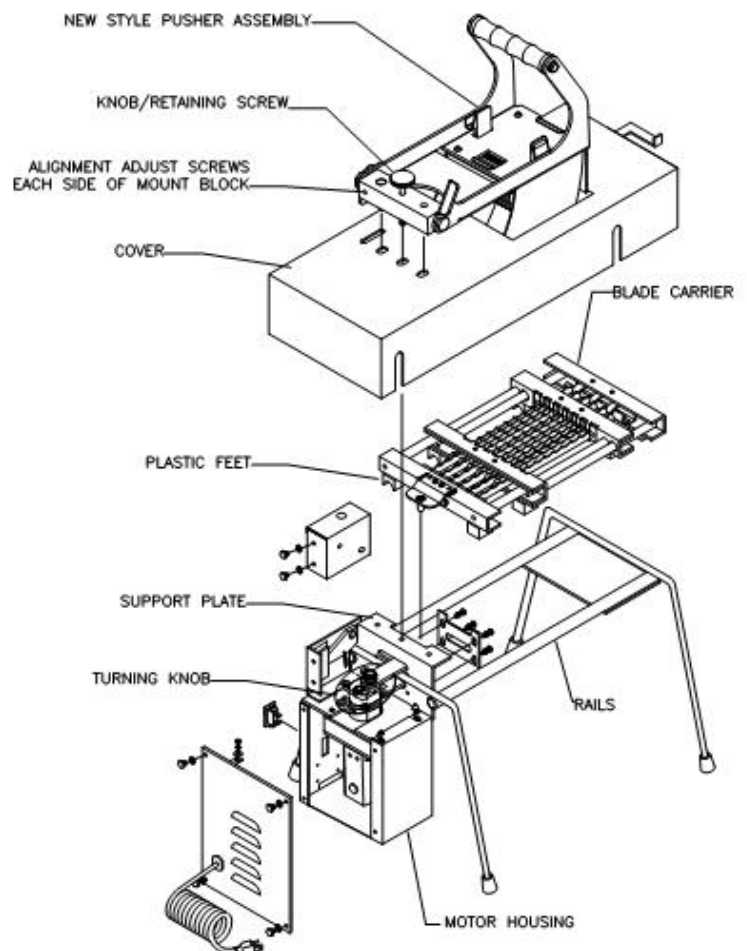
**WARNING: THE BLADES ARE VERY SHARP! BE SURE NOT TO TOUCH THE CUTTING SURFACE OF THE BLADES.**

Wash the pusher assembly, the cover and the blade carrier assembly in mild soap and water or in a dishwasher. The rest of the slicer can be wiped off using a damp cloth.

**WARNING: NEVER SUBMERGE OR PLACE ENTIRE ELECTRIC SLICER OR MOTOR HOUSING IN WATER.**

1. To assemble equipment after cleaning, turn the cam assembly until the top pin is toward the front of the slicer and install the blade carrier in place, making sure that plastic feet are on the rails and that the drive mount pins are engaged in the holes of the drive links. Slide the cover in place and line up the holes in the cover with holes in the support plate. Also make sure that the cover interlock pin, located on the inside of the cover, is aligned with the hole in the interlock switch bracket. Install the pusher assembly in place by inserting the pins of the pusher mount through the holes in the cover into the holes in the support place. Start the pusher retaining screw and leave the screw loose. Lower the pusher assembly until the pusher fingers engage the space between the blades, center the cover and tighten the pusher retaining screw. (See Figure 6)

**Figure 6**



**WARNING: MAKE SURE THE PUSHER FINGERS DO NOT CONTACT THE BLADES. BLADES AND PUSHER FINGERS WILL BE DAMAGED IF SLICER MOTOR IS STARTED WITH THE PUSHER FINGERS IN CONTACT WITH THE BLADES OR USED WHEN MISALIGNED.**

2. The set of blades can be replaced if the blades become dull. It is recommended that all the blades be replaced at the same time because they may stretch during use, and replacement of only a few blades may cause the old blades to be loose when the blade-holders are tightened.

**NEW BLADES SHOULD BE REPLACED BY EDLUND.**

3. The set of blades must be kept tight in order to function properly. Check the blade tension of all the blades by turning the blade carrier assembly over with the blade-cutting surface down. Run your fingers across the back of the set of blades, one at a time, the blades should "ring" and have a similar sound. If any of the blades appear to have a dull sound, contact your authorized service station.

**NOTE:** If for any reason the Model 350, 350XL Slicer does not function properly, consult the trouble-shooting guide for assistance or call the factory or your local service center.

**WARRANTIES:** *The Edlund Company warrants these products to be free from defects in material and workmanship for a period of one year from date of purchase. The company's obligation under this warranty is limited to repairing or replacing without charge any part or parts found to be defective under normal use. It is the responsibility of the purchaser to return the entire unit to the factory or a factory service branch, transportation charges prepaid. This warranty does not cover parts that must be replaced under normal use, including knives and drive gears on can openers. The company authorizes no other warranty, written or verbal. Carrier is responsible for merchandise in transit to you.*



### Pusher Assembly Alignment Check and Procedure

1. With the unit unplugged and the ON/OFF switch in the OFF position and the pusher assembly mounted to the unit check the alignment of the pusher fingers to the blades. The pusher fingers should be centered in the spaces between the blades. If they are not follow step 2 below.
2. Locate the alignment adjusting screws shown in figure 7. Determine which direction the pusher should rotate by observing where the pusher fingers align in between the blades. Using a small standard screwdriver you can turn the appropriate screw to rotate the pusher left or right. When adjusting a screw inward the opposing screw must be turned outward or loosened first. Center the pusher fingers and tighten the opposing screw. See figure 8 below. Check alignment again after tightening and adjust again if needed.

NOTE: Proper alignment is critical to the functioning of the slicer and will help ensure longevity of blades and pusher inserts. If blades or pusher assembly is changed perform an alignment before use.

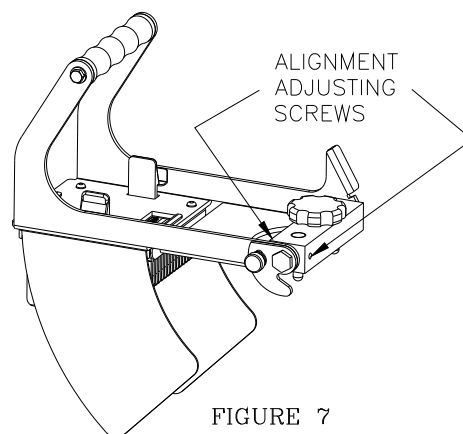


FIGURE 7

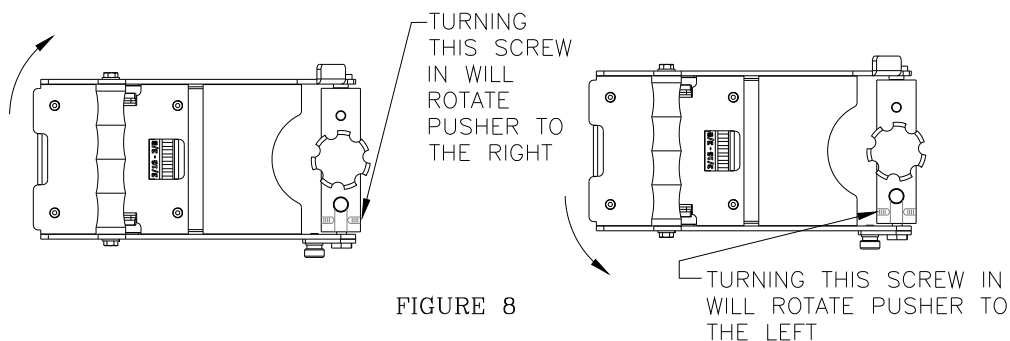
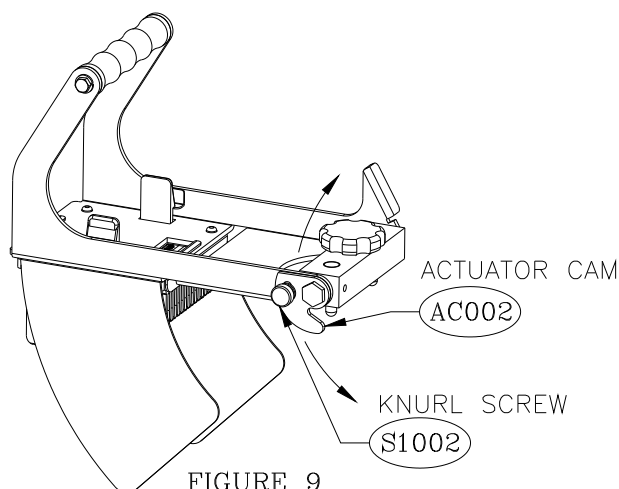


FIGURE 8

### **Pusher Assembly Actuator Cam AC002 Adjustment**

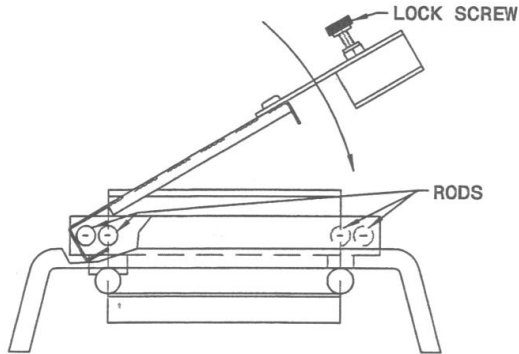
The Pusher Assembly includes an easy adjustment for the triggering of the slicer blades to start operating. This can be adjusted for a particular size of food product you are slicing by having the slicing blades start operating earlier or later as the pusher is lowered down to slice food product. Adjustment does not require the use of any tools. A knurl screw has been provided for this and can be loosened and tightened by hand. The knurl screw is also captivated on the pusher assembly to avoid accidental loss. To adjust the actuator cam follow the procedure below. Proper adjustment of the actuator cam helps ensure that the pusher fingers are in contact with the food product before the blades start operating. When adjusted properly the food product will be held firmly while being sliced providing the best slice possible. Follow procedure below and see Figure 9.

1. With the unit unplugged and the ON/OFF switch in the OFF position and the pusher assembly mounted to the unit you can begin to make the actuator cam adjustment. To adjust for slicing larger food product loosen the knurl screw by hand and rotate the actuator cam AC002 down as needed. This will cause the slicing blades to start operating sooner as the pusher is lowered onto the food product. This also captures the larger food product properly between the pusher insert fingers and blades. You can hear the actuator switch engage by listening for the “click” sound as the pusher is lowered.
2. To adjust for slicing smaller food product loosen the knurl screw by hand and rotate the actuator cam AC002 up as needed. This will cause the slicing blades to start operating later as the pusher is lowered onto the food product. This also captures the smaller food product properly between the pusher insert fingers and blades. You can hear the actuator switch engage by listening for the “click” sound as the pusher is lowered.

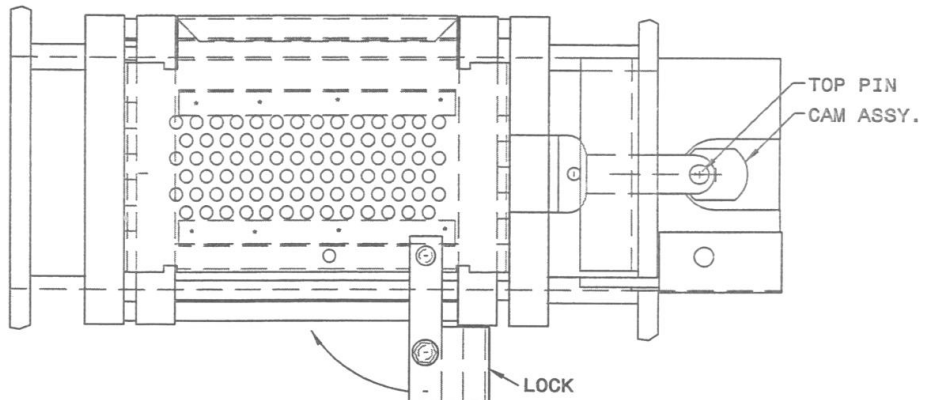


**INSTRUCTIONS**  
**USE OF BLADE CARRIER WASH GUARD**  
**FOR EDLUND MODEL 350 PRODUCE SLICER**

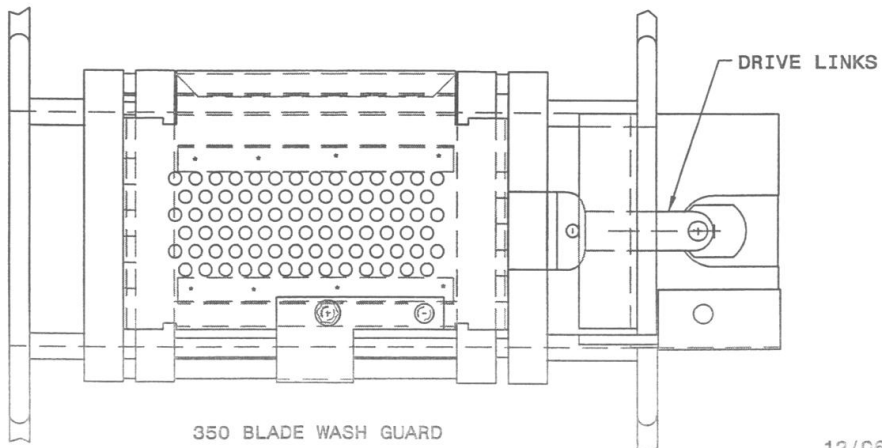
1. REMOVE PUSHER ASSEMBLY AND TOP COVER FROM SLICER.
2. TURN THE CAM ASSEMBLY UNTIL THE TOP PIN IS TOWARD FRONT OF SLICER.
3. SLIDE THE WASH GUARD OVER THE RODS ON LEFT SIDE OF BLADE CARRIER UNTIL WASH GUARD CONTACTS RODS AS SHOWN BELOW.
4. ROTATE WASH GUARD DOWN UNTIL GUARD IS RESTING ON THE BLADE CARRIER.



5. ROTATE LOCK UNTIL IT CONTACTS THE RODS ON RIGHT SIDE OF BLADE CARRIER.
6. SCREW IN LOCK SCREW ALL THE WAY AND REMOVE BLADE CARRIER FOR CLEANING.



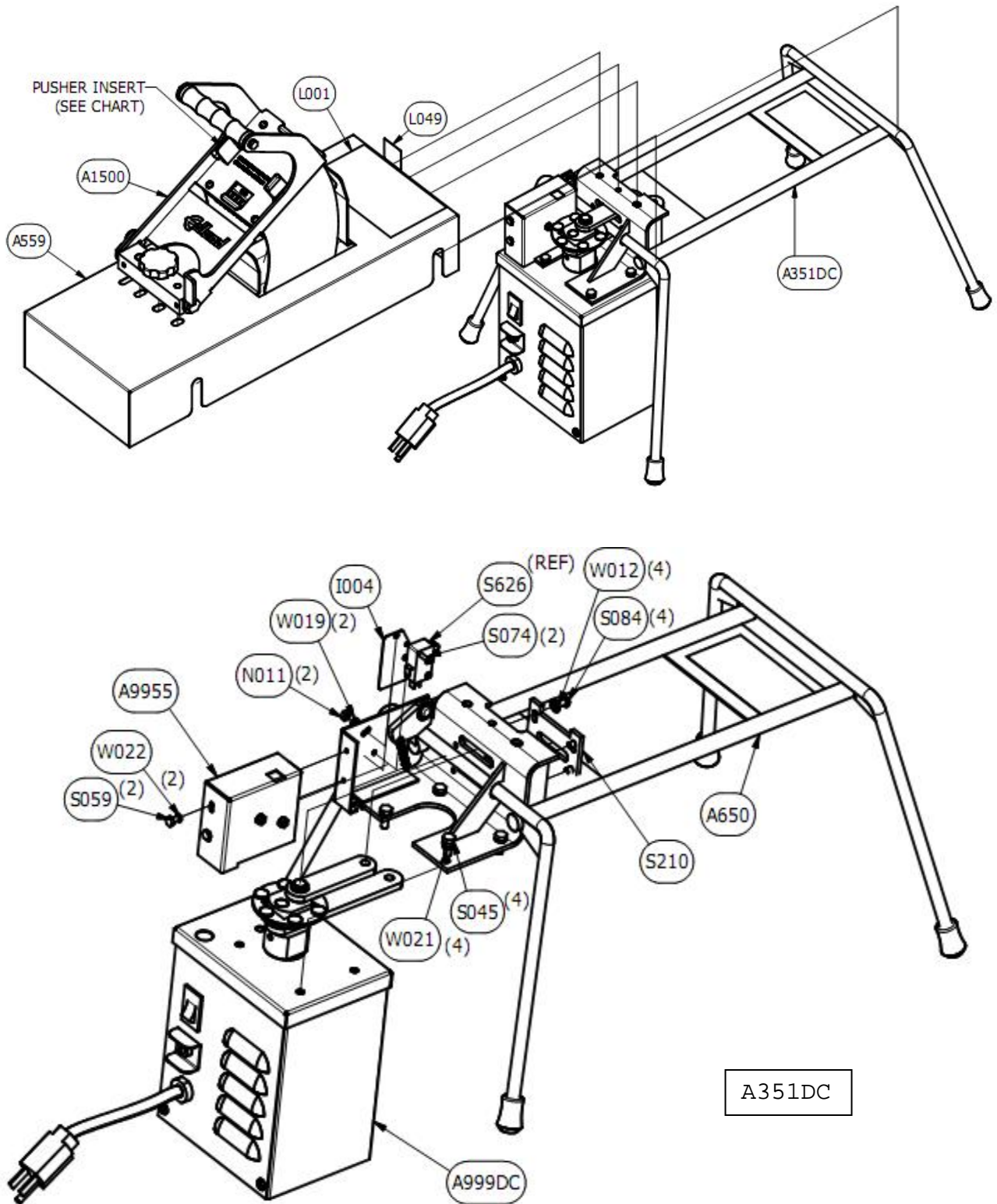
7. WHEN BLADE CARRIER IS CLEAN, ASSEMBLE BLADE CARRIER AND GUARD BACK ON SLICER FRAME WITH DRIVE PINS INSERTED INTO DRIVE LINKS. REMOVE WASH GUARD BY REVERSING THE ABOVE PROCEDURE.



### Trouble Shooting Guide

Problem	Cause	Correction
I. Slicer will not start.	1. Not plugged into outlet.	1. Plug cord set into grounded outlet with the same voltage as listed on the rating plate located on the side of the motor housing.
	2. Cover actuating switch inoperative.	2. Replace leaf switch (S627) or contact dealer /service center.
	3. Switch actuator cam not contacting roller switch bracket.	3. Adjust pusher head cam assembly (AC002). See page "Pusher Assembly cam adjustment" for procedure. If unit fails to energize, replace roller switch (S626) or contact dealer /service center.
	4. On-off switch not turned on or inoperative.	4. Contact dealer or service center.
	5. Broken wire or loose terminals.	5. Contact dealer or service center.
	7. Broken wire in cord set.	7. Contact dealer or service center.
	6. Circuit breaker tripped.	6. Reset circuit breaker (B116) and if breaker trips, call dealer or service center.
	9. Motor failed	9. Call dealer or service center.
	10. No current flow through line filter on 230-volt slicer.	10. Replace filter (F088) or call dealer/service center.
	II. Pusher fingers contact blades or pusher fingers not centralized between blades.	1. Blade assembly not on guide rails.
2. Bent or damaged pusher fingers (old style P144) or ( new style PI368, PI014 plastic inserts)		2. Straighten or replace pusher fingers. For new style replace proper plastic pusher insert and align to blades before use. See page "New Style Pusher Assembly" for procedure.
3. Pusher mounting flange of motor mount is bent.		3. Straighten flange or replace frame assembly (A650/A651).
4. Loose rivet (R048).		4. Check rivets and bushings and replace as required.
5. Pusher head misaligned		5. See page "New Style Pusher Alignment" for procedure.
III. Blade assembly will not stay on rails.	1. Worn drive link guide support.	1. Replace support ((S210).
	2. Motor mounting plate bent down.	2. Remove cover and motor and straighten plates to be parallel to rails within (0.015) total indicated reading.
IV. Blades loose on blade carrier.	1. Blade holder retaining screws (S049) not tightened to correct torque.	1. Consult assembly procedure for proper torque of screws.
	2. Holes in blades are elongated.	2. Check blades and replace as required and torque according to assembly procedure.
	3. Some of blades on blade carrier may have been replaced with new blades.	3. Tighten blade holder retaining screws (S049) to correct torque. Turn blade carrier over and check tightness of each blade by "strumming" back of blades. If blade or blades have dull sound, replace and retighten to torque outlined in assembly procedure.

**350 SLICER—115V**

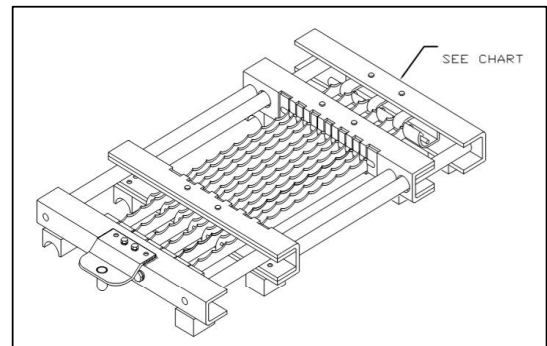


Please read thoroughly before operation and keep for future reference

350 SLICER ASSEMBLY AND PARTS LIST—115V		
QTY	PART NUMBER	DESCRIPTION
1	A1500	ASSEMBLY, PUSHER HEAD W/ REMOVABLE INSERT
1	A351DC	ASSEMBLY, 350 MOTOR & FRAME
1	A559	WELDMENT, COVER 350
1	L001	LABEL, WARNING
1	L049	LABEL, NSF MARK

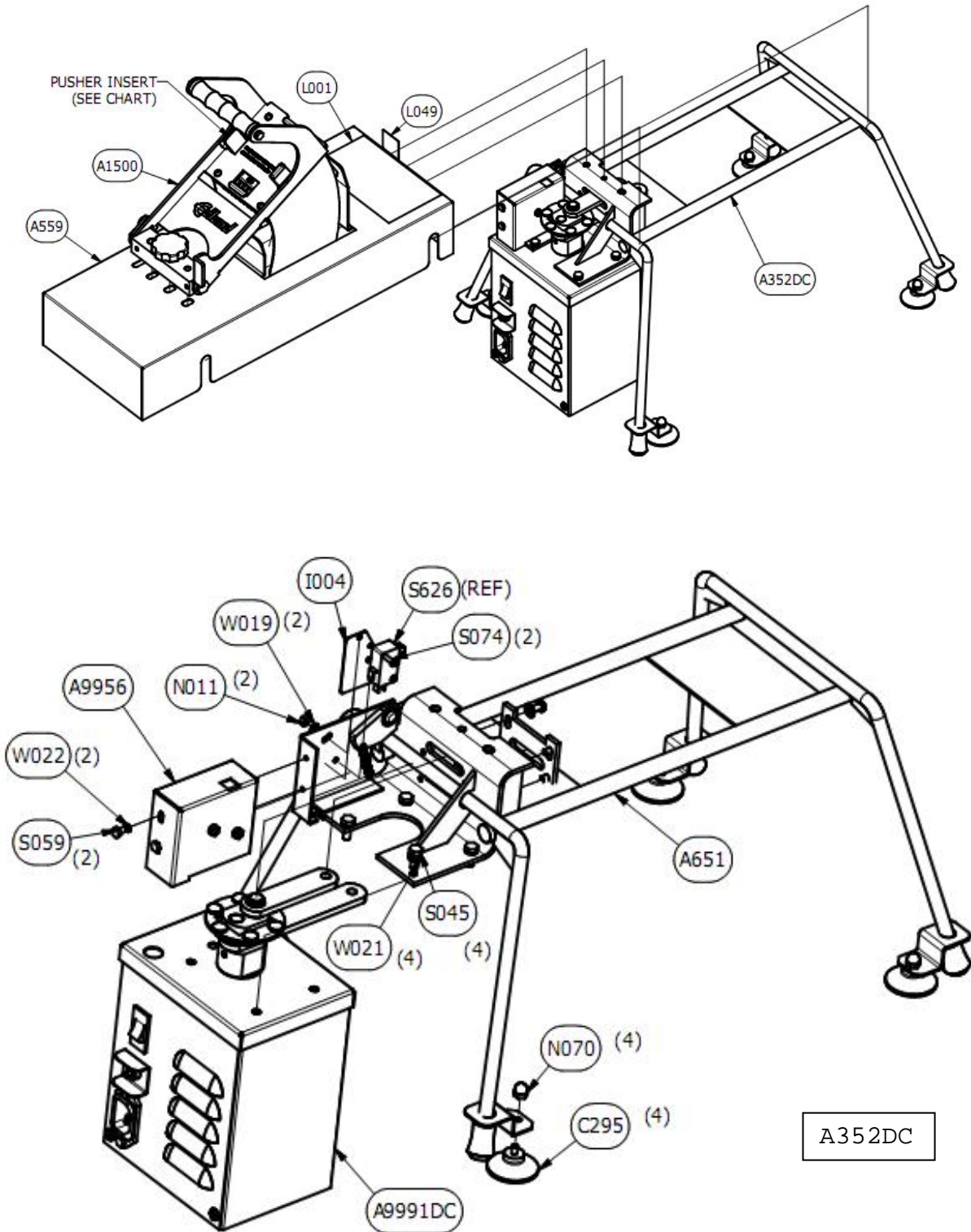
350 FRAME ASSEMBLY (A351DC)—115V		
QTY	PART NUMBER	DESCRIPTION
1	A650	ASSEMBLY, 350 FRAME
1	A9955	ASSEMBLY, LEAF MICRO SWITCH AND COVER
1	A999DC	ASSEMBLY, HOUSING, MOTOR & GEARBOX+LINKAGE, 115V
1	I004	INSULATOR, SWITCH PAD
2	N011	NUT, #4-40 BRASS
4	S045	SCREW, #10-32 X 1/2, HEX HD CAP, SS
2	S059	SCREW, #6-32 X 1/4 HEX HEAD, SS
2	S074	SCREW, #4-40 x 5/8, SLOTTED, BRASS
4	S084	SCREW, #8-32 X 5/16 S/S RHM, SLOTTED
1	S210	SUPPORT, LINK GUIDANCE
1	S626	SWITCH, ROLLER
4	W012	WASHER, FLAT, #8 SS
2	W019	WASHER, #4 INTRL TOOTH LOCK, SS
4	W021	WASHER, #10 LOCK, SS
2	W022	WASHER, #6 LOCK, SS

350 PUSHER/BLADE ASSEMBLY		
BLADE ASSEMBLY	PUSHER INSERT	SIZE
A553	PI368	3/16
A554	PI014	1/4
A567	PI368	3/8



Please read thoroughly before operation and keep for future reference

**350 SLICER—230V**



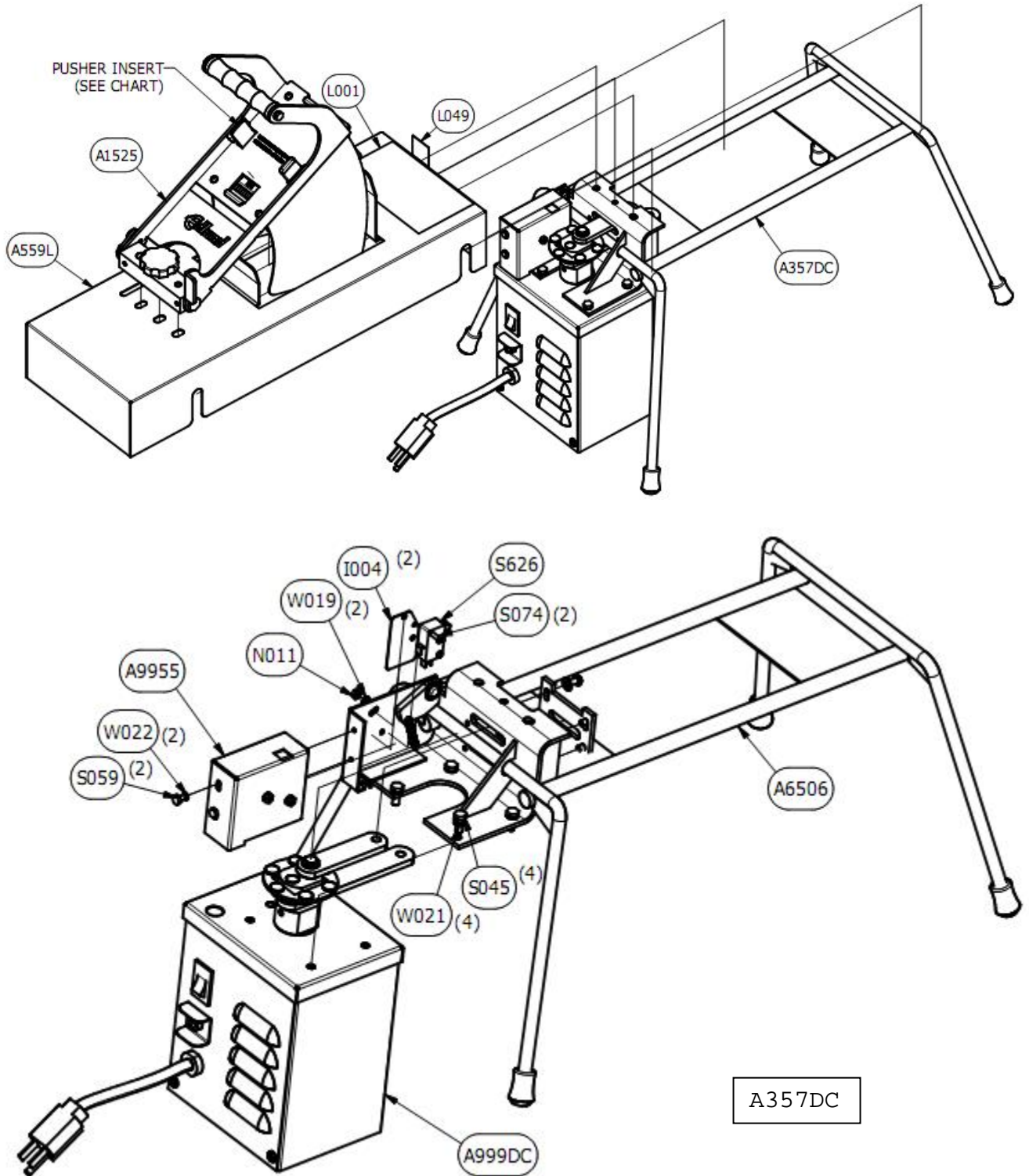


<b>350 SLICER ASSEMBLY AND PARTS LIST—230V</b>		
<b>QTY</b>	<b>PART NUMBER</b>	<b>DESCRIPTION</b>
1	A1500	ASSEMBLY, PUSHER HEAD W/ REMOVABLE INSERT
1	A352DC	ASSEMBLY, 350 W/230V MOTOR
1	A559	WELDMENT, COVER 350
1	L001	LABEL, WARNING
1	L049	LABEL, NSF MARK

<b>350 FRAME ASSEMBLY (A352DC)—230V</b>		
<b>QTY</b>	<b>PART NUMBER</b>	<b>DESCRIPTION</b>
1	A651	ASSEMBLY, 350 FRAME W/ SUCTION CUPS
1	A9956	ASSEMBLY, MICRO SWITCH AND COVER, 230V
1	A9991DC	ASSEMBLY, 350 MOTOR/GEARBOX, 230V
4	C295	CUP, RUBBER SUCTION
1	I004	INSULATOR, SWITCH PAD
2	N011	NUT, #4-40 BRASS
4	N070	NUT, #8-32 NYLON ACORN HEX
4	S045	SCREW, #10-32 X 1/2, HEX HD CAP, SS
2	S059	SCREW, #6-32 X 1/4 HEX HEAD, SS
2	S074	SCREW, #4-40 x 5/8, SLOTTED, BRASS
4	S084	SCREW, #8-32 X 5/16 RHM, SLOTTED, SS
1	S210	SUPPORT, LINK GUIDANCE
1	S626	SWITCH, ROLLER
4	W012	WASHER, FLAT, #8 SS
2	W019	WASHER, #4 INTRL TOOTH LOCK, SS
4	W021	WASHER, #10 LOCK, SS
2	W022	WASHER, #6 LOCK, SS



**350XL SLICER—115V**

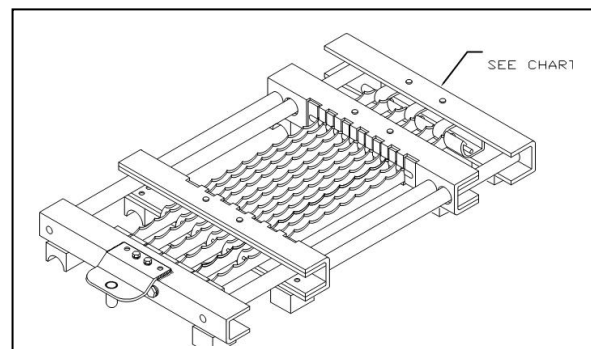


Please read thoroughly before operation and keep for future reference

<b>350XL SLICER ASSEMBLY AND PARTS LIST—115V</b>		
QTY	PART NUMBER	DESCRIPTION
1	A1525	ASSEMBLY, PUSHER HEAD W/ REMOVABLE INSERT, 350XL
1	A357DC	ASSEMBLY, 350XL MOTOR/FRAME, 115v
1	A559L	WELDMENT, COVER, 350XL
1	L001	LABEL, WARNING
1	L049	LABEL, NSF MARK

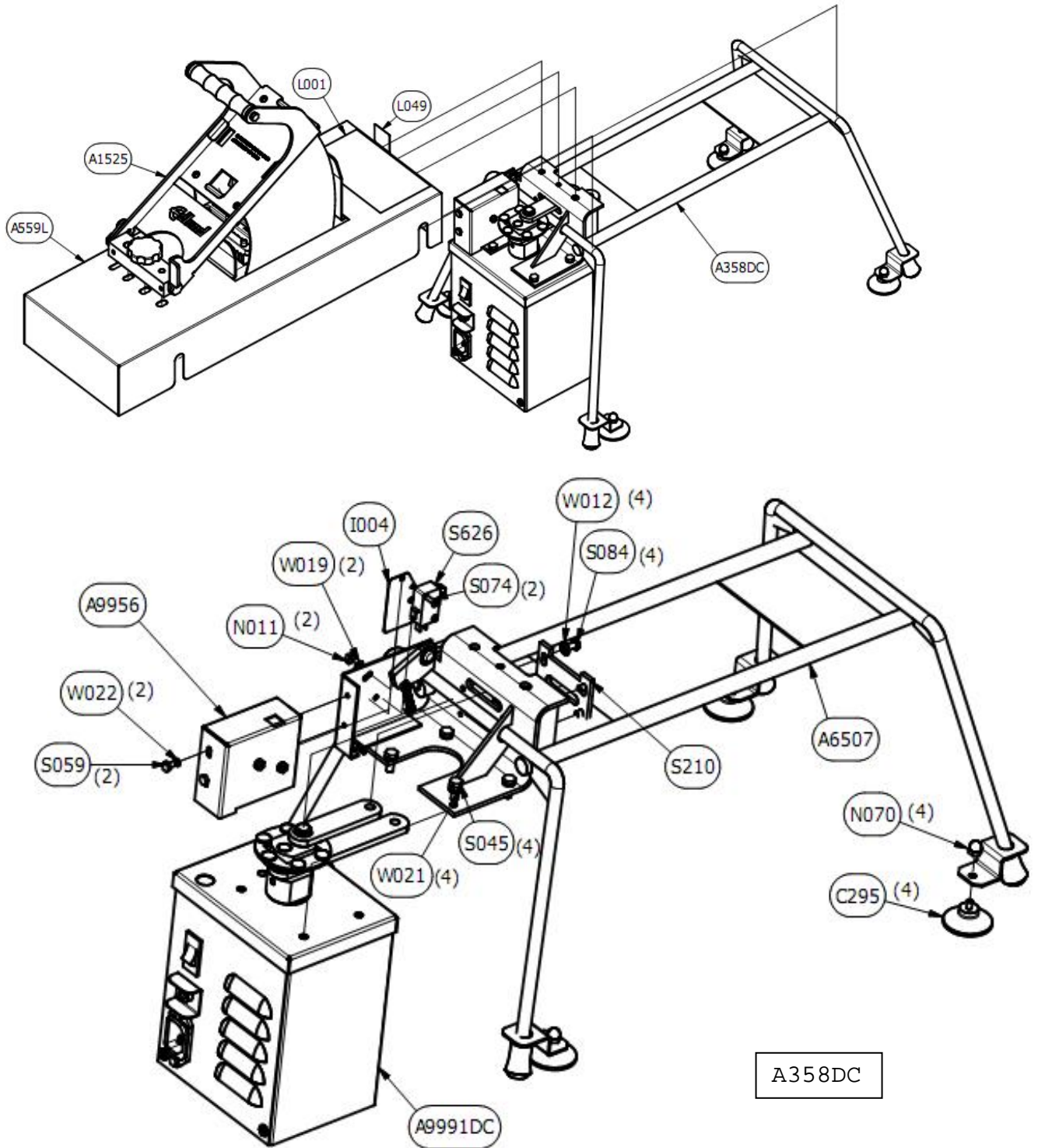
<b>350XL FRAME ASSEMBLY (A357DC)—115V</b>		
QTY	PART NUMBER	DESCRIPTION
1	A6506	ASSEMBLY, FRAME, 350XL
1	A9955	ASSEMBLY, LEAF MICRO SWITCH AND COVER
1	A999DC	ASSEMBLY, HOUSING, MOTOR & GEARBOX+LINKAGE, 115V
1	I004	INSULATOR, SWITCH PAD
2	N011	NUT, #4-40 BRASS
4	S045	SCREW, #10-32 X 1/2, HEX HD CAP, SS
2	S059	SCREW, #6-32 X 1/4 HEX HEAD,SS
2	S074	SCREW, #4-40 x 5/8, SLOTTED, BRASS
4	S084	SCREW, #8-32 X 5/16 RHM, SLOTTED, SS
1	S210	SUPPORT, LINK GUIDANCE
1	S626	SWITCH, ROLLER
4	W012	WASHER, FLAT, #8 SS
2	W019	WASHER, #4 INTRL TOOTH LOCK, SS
4	W021	WASHER,#10 LOCK, SS
2	W022	WASHER,#6 LOCK, SS

<b>350XL PUSHER/BLADE ASSEMBLY</b>		
BLADE ASSEMBLY	PUSHER INSERT	SIZE
A553L	PI368	3/16
A554L	PI014	1/4
A567L	PI368	3/8



Please read thoroughly before operation and keep for future reference

**350XL SLICER—230V**



Please read thoroughly before operation and keep for future reference

<b>350XL SLICER ASSEMBLY AND PARTS LIST—115V</b>		
<b>QTY</b>	<b>PART NUMBER</b>	<b>DESCRIPTION</b>
1	A1525	ASSEMBLY, PUSHER HEAD W/ REMOVABLE INSERT, 350XL
1	A358DC	ASSEMBLY, 350XL MOTOR/FRAME, 230V MOTOR
1	A559L	WELDMENT, COVER, 350XL
1	L001	LABEL, WARNING
1	L049	LABEL, NSF MARK

<b>350XL FRAME ASSEMBLY (A358DC)—230V</b>		
<b>QTY</b>	<b>PART NUMBER</b>	<b>DESCRIPTION</b>
1	A6507	ASSEMBLY, 350XL FRAME W/SUCTION CUPS
1	A9956	ASSEMBLY, MICRO SWITCH AND COVER, 230V
1	A9991DC	ASSEMBLY, HOUSING, MOTOR & GEARBOX+LINKAGE, 230V
4	C295	CUP, RUBBER SUCTION
1	I004	INSULATOR, SWITCH PAD
2	N011	NUT, #4-40 BRASS
4	N070	NUT, #8-32 NYLON ACORN HEX
4	S045	SCREW, #10-32 X 1/2, HEX HD CAP, SS
2	S059	SCREW, #6-32 X 1/4 HEX HEAD,SS
2	S074	SCREW, #4-40 x 5/8, SLOTTED, BRASS
4	S084	SCREW, #8-32 X 5/16 RHM, SLOTTED, SS
1	S210	SUPPORT, LINK GUIDANCE
1	S626	SWITCH, ROLLER
4	W012	WASHER, FLAT, #8 SS
2	W019	WASHER, #4 INTRL TOOTH LOCK, SS
4	W021	WASHER,#10 LOCK, SS
2	W022	WASHER,#6 LOCK, SS

## Free Manuals Download Website

<http://myh66.com>

<http://usermanuals.us>

<http://www.somanuals.com>

<http://www.4manuals.cc>

<http://www.manual-lib.com>

<http://www.404manual.com>

<http://www.luxmanual.com>

<http://aubethermostatmanual.com>

Golf course search by state

<http://golfingnear.com>

Email search by domain

<http://emailbydomain.com>

Auto manuals search

<http://auto.somanuals.com>

TV manuals search

<http://tv.somanuals.com>