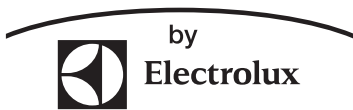


Sanitaire[®]



SC6053A



SC6054A

PROFESSIONAL AIR MOVER
OWNER'S MANUAL

Index

Safety Instructions	2
Introduction	3
Operation / Instructions	4
Maintenance Instructions / Troubleshooting	5
Specifications	6
Parts List	7
Accessories	8

Safety Instructions

1. To prevent electric shock, do not operate the unit in standing water. Never plug in or unplug the unit with wet hands or while standing in water.
2. To avoid risk of injury, do not direct air flow at face or any part of body.
3. To reduce the risk of fire or electric shock, do not use the Air Mover with any solid-state speed control device.
4. Use only with GFCI protected receptacles. Please contact a qualified electrician for verification and / or install GFCI receptacle if necessary.
5. Do not operate any Air Mover with a damaged cord or plug. Discard the unit or return it to an authorized service facility for examination and/or repair.
6. Unplug the Air Mover from the power supply before moving, servicing or cleaning.
7. Do not run the power cord under carpeting. Do not cover the power cord with throw rugs, runners, or similar coverings. Place the power cord away from traffic area to prevent tripping.
8. Do not allow children to play with or around an Air Mover at any time.
9. Do not move or carry an Air Mover while unit is operating.
10. All Air Movers in operation must be supervised at all times.
11. This fan is an automatically operated device. To reduce the risk of injury disconnect from power supply before servicing.
12. To reduce the risk of electric shock, do not expose to water or rain.

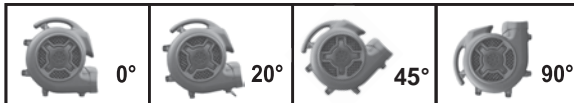
PLEASE READ AND SAVE THESE INSTRUCTIONS

Introduction

Sanitaire's SC6053A and SC6054A are professional level and multipurpose professional Air Movers with the most efficient engineering design.

Features:

- Low amp draw with high airflow capacity.
- Super quiet motor and super lightweight.
- Easy carrying handle and stackable.
- Easy and quick to disassemble for thorough cleaning and service.
- 25 ft. cord with easy cord wrap design.
- Easy cord wrap on handle.
- Telescopic handle and wheels.
- 3-speed switch.
- 4 airflow positions for SC6053A model (0°, 20°, 45°, 90°).
- 3 airflow positions for SC6054A model (0°, 20°, 90°).



Operation / Instructions

Sanitaire's SC6053A / SC6054A Air Mover is intended to move air and to dry floors, walls, furniture, etc. Durable and easy to operate with an effective balance of static pressure and airflow, the units are suitable for a variety of applications.

1. Sanitaire's SC6053A / SC6054A Air Mover is shipped ready-to-use. Prior to plugging the unit into the power source, inspect completely for any shipping damage.
2. Plug the electrical cord into the power outlet.
CAUTION: To reduce the risk of electric shock, connect only to an outlet provided with a Ground Fault Circuit Interrupter device.
3. Carefully place the Air Mover unit on a stable, flat dry surface.
4. The unit has three position capabilities to aim airflow across flat surfaces or angled upward.
5. Turn the switch to select desired speed, while making sure unit operates normally.
6. All Air Movers in operation must be supervised at all times.



AIR MOVER STORAGE:

Air Movers can be stacked (up to 4) on their sides for storage.

NOTICE:

Stacking feature is not secure for transportation.

Maintenance Instructions

1. To keep the Air Mover clean, use a damp cloth to wipe the surface of the housing.
2. Never clean the Air Mover with water directly.
3. When not in use, unplug and store the Air Mover in a dry indoor place out of reach of children.
4. Always disconnect the Air Mover from its power source before performing any maintenance or cleaning.

Troubleshooting

For any problems not listed below, call your local distributor or contact our Service Department.

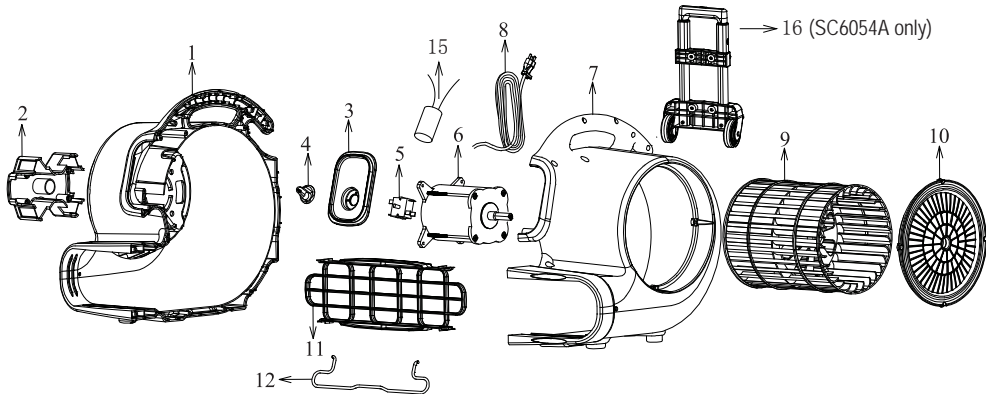
PROBLEM	POSSIBLE CAUSE	SOLUTION
Air Mover not running	No power input	Plug in the Air Mover; check circuit breaker
	Switch not turned on	Turn on switch
	Air Mover fan wheel jammed	Remove material jamming fan wheel
	Intake or exhaust blocked	Turn unit off and allow to cool, then remove blockage
Air Mover vibrates	Accumulation of dirt on fan blades	Clean Air Mover fan blades

Specifications

Model	SC6053A	SC6054A
Volt / Frequency	115V / 60Hz	115V / 60Hz
Power	1/2 HP	1/2 HP
AMP	5 A	5 A
Unit Weight	20.4 lbs	23.6 lbs
Speeds	Three	Three
Unit Size (L x W x H) inch	15.9 x 15.7 x 16.3	15.9 x 17 x 17.5
Telescopic Handle & Wheel	No	Yes
Cord Length	25 ft	25 ft
Overheating Protecting	Thermally Protected	Thermally Protected
Rated Airflow (on high)	2800 CFM	2800CFM
Positions	4 (0°, 20°, 45°, 90°)	3 (0°, 20°, 90°)
Housing	ABS	ABS

Parts List

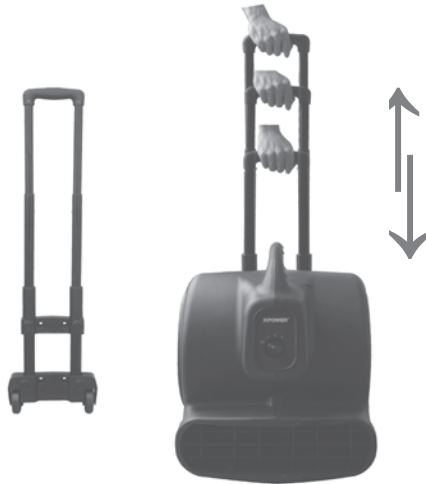
Item No.	Parts Name	Item No.	Parts Name
600-1	Left Housing	600-2	Grid Cover (Motor Side)
600-3	Switch Plate	600-4	Switch Knob
600-5	Switch	600-6	Motor
600-7	Right Housing	600-8	Power Cord
600-9	Fan	600-10	Grid Cover (Fan Side)
600-11	Air Outlet Grid Cover	600-12	Kick Stand
600-13	Rubber Feet (Not Shown)	600-14	Screws and Nuts (Not Shown)
600-15	Capacitor	600-16	Telescopic Handle & Wheel



Accessories

Telescopic Handle & Wheels

Sanitaire's SC6054A Air Mover comes with built-in telescopic handle and wheels for easy transportation and mobility.



Sanitaire[®]

by



Electrolux

Free Manuals Download Website

<http://myh66.com>

<http://usermanuals.us>

<http://www.somanuals.com>

<http://www.4manuals.cc>

<http://www.manual-lib.com>

<http://www.404manual.com>

<http://www.luxmanual.com>

<http://aubethermostatmanual.com>

Golf course search by state

<http://golfingnear.com>

Email search by domain

<http://emailbydomain.com>

Auto manuals search

<http://auto.somanuals.com>

TV manuals search

<http://tv.somanuals.com>