

# Bettis OM3 - SCE300

Local Interface Module



*This page intentionally left blank*

# Table of Contents

<b>Section 1: Optional Module 3: Local Interface Module</b>	
1.1 Local Interface Functionality .....	1
1.2 Manufacturer .....	2
<b>Section 2: Assembling Procedure</b>	
Assembling Procedure .....	3
<b>Section 3: Description Of OM3 Local Interface</b>	
3.1 Local Operator Interface.....	7
3.2 Description of the Local Interface .....	8
3.2.1 2-position selector .....	8
3.2.2 LEDs indicating the position of the SCE300 actuator.....	8
3.2.3 OPEN/CLOSE pushbuttons.....	8
<b>Section 4: To Locally Operate the Actuator</b>	
To Locally Operate the Actuator .....	9
<b>Section 5: OM3 Wiring Diagram</b>	
OM3 Wiring Diagram .....	10
<b>Section 6: Identification</b>	
6.1 Water-, Dust-Proof Version .....	11
6.2 Label for Application In Water-, Dust-Proof Areas.....	11
6.3 Explosion-Proof Version .....	12
6.4 ATEX Label for Application in Hazardous Areas .....	12
<b>Section 7: Safety Instructions</b>	
7.1 Foreword .....	13
7.2 General Safety Instructions .....	13
7.3 Check for Right Application.....	13
7.4 Applicable Standards and Regulations.....	14
7.5 Terms and Conditions .....	14
7.6 Manufacturer's Liability.....	14
<b>Section 8: Installation</b>	
8.1 Working Conditions .....	15
8.2 Electrical Connections.....	15
8.3 Instructions for the Intrinsically-Safe Enclosures .....	15
8.4 Installation in Ambient with Explosive Dusts.....	15
<b>Section 9: Special Maintenance</b>	
9.1 Periodic Inspections .....	16
9.2 Repairs of Intrinsically-Safe Parts .....	16

*This page intentionally left blank*

---

**NOTE:**

The present IOM has to be considered integral part of the IOM for the basic Installation, Operation and Maintenance Manual for Bettis SCE300 electric actuator.

---

# Section 1: Optional Module 3: Local Interface Module

## 1.1 Local Interface Functionality

The OM3 Local Interface module is supplied as an option on Bettis SCE300 actuators and fits all models. It is possible to receive the actuator already equipped with the OM3 if ordered together with the basic version. Alternatively, only for the water proof version, it is possible to order the OM3 as a separate kit to be installed afterwards on the basic actuator. The subsequent retrofitting of the OM3 on existing SCE300 is not allowed in the explosion-proof version. The OM3 is an optional module allowing local control with the following additional functionalities:

- Selection of Local/Remote actuator control through the selector (lockable in both positions).
- Open/Close command through the non intrusive pushbuttons.
- Actuator position indication by means of 2 LEDs.

---

**NOTE:**

For decommissioning instructions, please refer to the relevant section in Installation, Operation and Maintenance Manual for Bettis SCE300 electric actuator.

---

** WARNING**

SCE300 actuator must be electrically isolated before any disassembling and reassembling operations. Before any disassembling or reassembling operations, please follow in detail the relevant paragraph of the basic installation and operating manual (latest revision available).

---

** WARNING**

The electronic parts of the SCE300 actuators and all optional modules can be damaged by a discharge of static electricity. Before you start, touch a grounded metal surface to discharge any static electricity.

---

**⚠ WARNING**

SCE300 actuators can be operated through a Bluetooth™ PDA or PC with the following configuration:

- The commands are enabled by Bluetooth, only when the BT control is active. When operating with Bluetooth™, the controls via PDA or PC have priority on any other remote commands and allow full actuator operability from a distance also when the valve is not visible. Special attention must be paid under this condition to avoid any damages or injuries to people working close to the valve. Bettis will not accept any responsibility for damages or injuries caused by an improper use of your Bluetooth™ PDA or PC.

**⚠ WARNING**

It is assumed that the installation, configuration, commissioning, maintenance and repair works are carried out by qualified personnel and checked by responsible specialists.

**⚠ WARNING**

Repair work, other than operations outlined in this manual, is strictly reserved to qualified Emerson personnel or to personnel authorized by the company itself.

## 1.2 Manufacturer

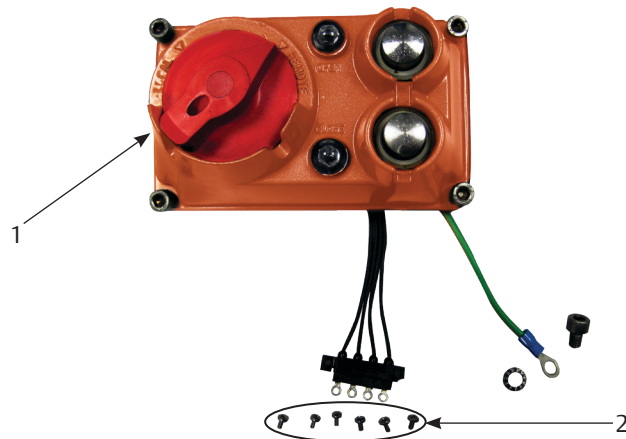
Manufacturer with respect to Machinery Directive 2006/42/EC: Emerson as specified on the actuator label.

## Section 2: Assembling Procedure

To assemble the OM3 Local Interface module onto the SCE300 actuator, proceed as follows:

- Ensure that all the parts received with the OM3 are available, see Figure 1:

**Figure 1 OM3 kit for SCE300 actuator**



**Table 1.**

Pos.	Q.ty	Description
1	1	Local Interface module
2	4	Screws for connecting connector

- Gather the right tools for the assembly: a 5 mm Allen key and a screwdriver as shown in Figure 2.

**Figure 2 Tools for installing OM3 kit**



- With the Allen key loosen the 4 cover screws and remove the terminal board enclosure cover, see Figures 3. You will see the terminal board inside the actuator. Remove the ground cable from the cover in the enclosure. The position of the connections is shown on the yellow label that you will find inside the cover just removed, see Figure 4.

**Figure 3** Removing terminal board enclosure cover



**Figure 4** Electrical connections



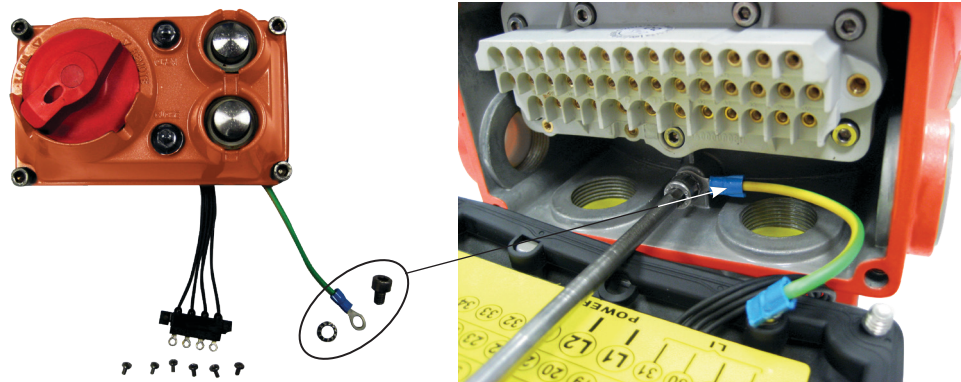
### **⚠ WARNING**

Pay attention not to damage the joint surfaces of the cover/enclosure.



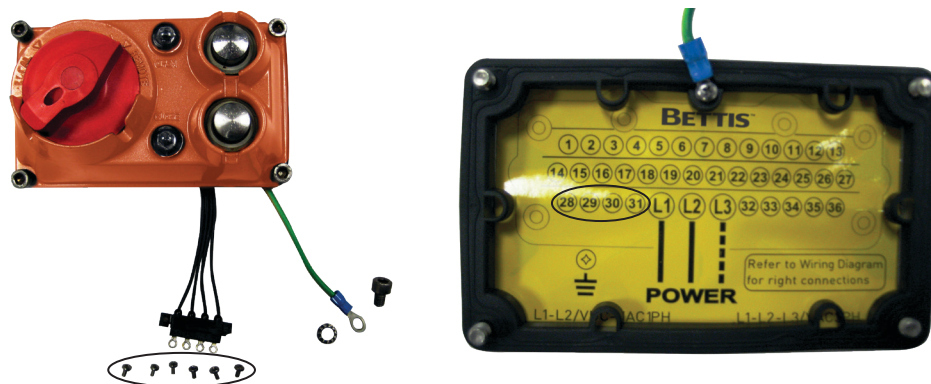
- Connect the Local Interface module to the ground stud by screwing the 'ground kit' (screw + toothed washer).

**Figure 5** Grounding the Local Interface

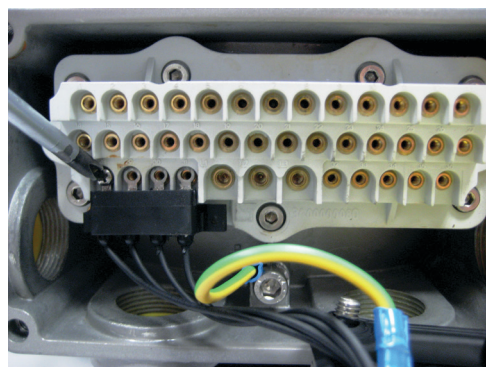


- Take the 4 screws for connecting the Local Interface black connector to the terminal board, in pos. 28-29-30-31 (see Figure 6 and wiring diagram) and connect it with the screwdriver shown in Figure 7.

**Figure 6** Position of the Local Interface connector on the terminal board

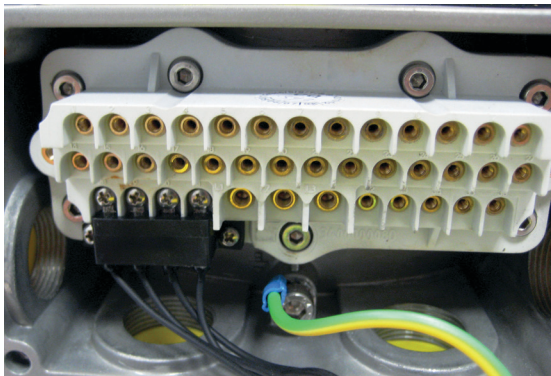


**Figure 7** Connecting the Local Interface connector

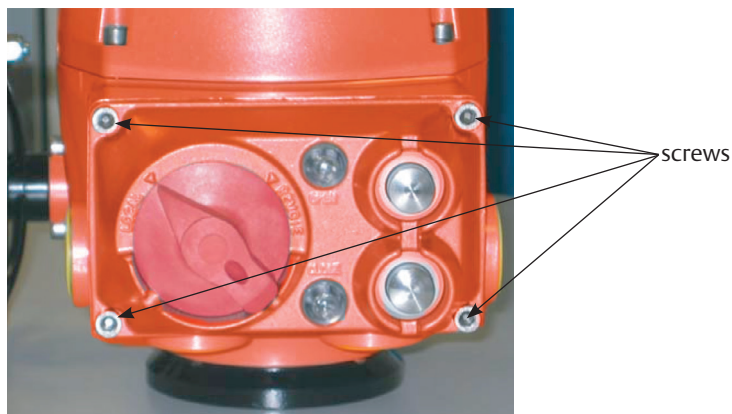


- Now the Local Interface is connected to the actuator, see Figure 8.
- Take the 4 screws removed from terminal board cover and use them to fix the Local Interface to the actuator, using the 5 mm Allen key, see Figure 9.

**Figure 8** OM3 kit connected to the SCE300 terminal board



**Figure 9** Fixing the local interface onto the SCE300 actuator



**NOTE:**

Please note that the design of the Local Interface black connector has been engineered to allow the installation in one way only. Due to the special design, it is not possible to reverse the connection of the 4 cables to the terminal board and it is not possible to make a wrong connection of the connector.

- The installation of the OM3 Local Interface module onto the SCE300 actuator is now complete.

## Section 3: Description of OM3 Local Interface

Figure 10

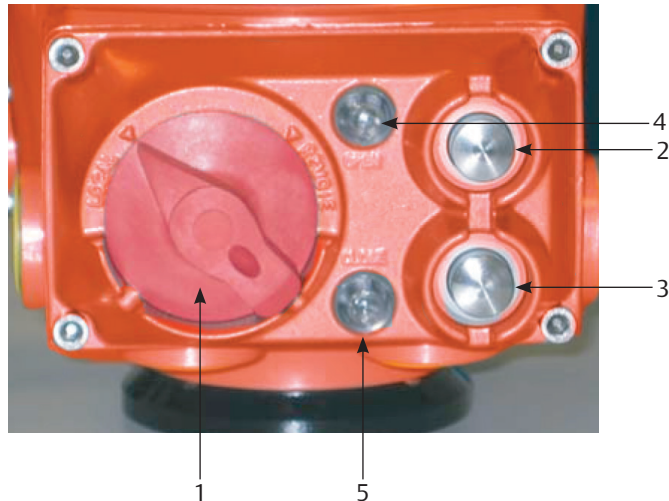


Table 2.

Pos.	Description
1	2-position lockable selector switch
2	OPEN push-button
3	CLOSE push-button
4	OPEN position and correct with maneuver indicating LED (default green color)
5	CLOSE position and correct with maneuver indicating LED (default red color)

### 3.1 Local Operator Interface

The following functions are available through the SCE300 Local Interface module (OM3):

- Selection of Local/Remote actuator control through the selector (lockable in both positions).
- Local actuator control: OPEN/CLOSE mcommand through the non-intrusive pushbuttons.
- Actuator position indication by means of 2 LEDs (green and red).

## 3.2 Description of the Local Interface

### 3.2.1 2-Position Selector

- Local: to enable the local control only.
- Remote: to enable the remote control and local control via Bluetooth with PC and PDA.

### 3.2.2 LEDs Indicating the Position of the SCE300 Actuator

The two LEDs indicate the actuator status according to the following logic:

**Table 3.**

Green LED	Red LED	Indication
ON	OFF	Actuator stopped in completely OPEN position
OFF	ON	Actuator stopped in completely CLOSED position
OFF	Flashing	Actuator running in CLOSING direction
Flashing	OFF	Actuator running in OPENING direction
ON	ON	Actuator stopped in INTERMEDIATE position

**NOTES:**

It is possible to invert LEDs color, so:

- red color for OPEN position and maneuver;
- green color for CLOSE position and maneuver.

To do this, see configuration section into Installation, Operation and Maintenance manual document.

It is also possible to invert LEDs color by means of Bluetooth optional connection (if present).

### 3.2.3 OPEN/CLOSE Pushbuttons

The two OPEN and CLOSE pushbuttons are push-to-run type only. Once the pushbuttons are released, the actuator stops.

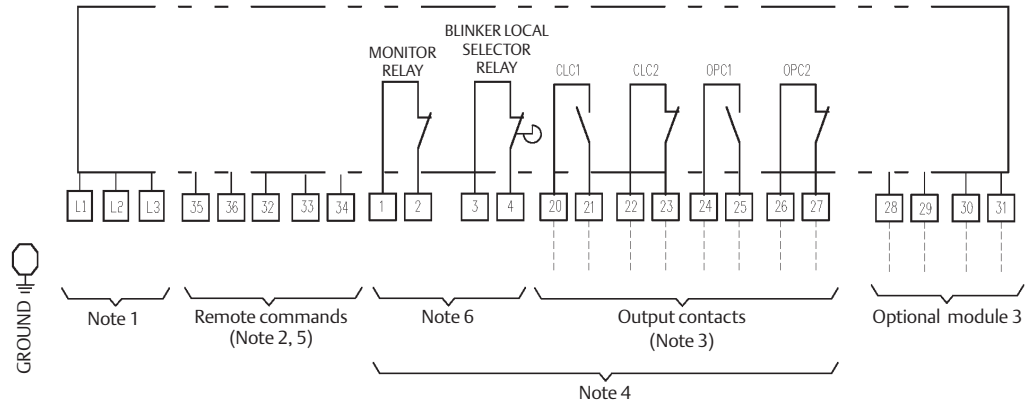
## Section 4: To Locally Operate the Actuator

Once you have made sure that the actuator basic configuration is as requested by your application, bring the 2-position selector to LOCAL and control the actuator by OPEN and CLOSE pushbuttons.

The actuator can be driven to the desired position by pressing and holding the OPEN or CLOSE pushbutton. When the pushbutton is released, the motor is de-energized and stops. Once you have reached the fully open or fully closed positions, the actuator will stop automatically.

# Section 5: OM3 Wiring Diagram

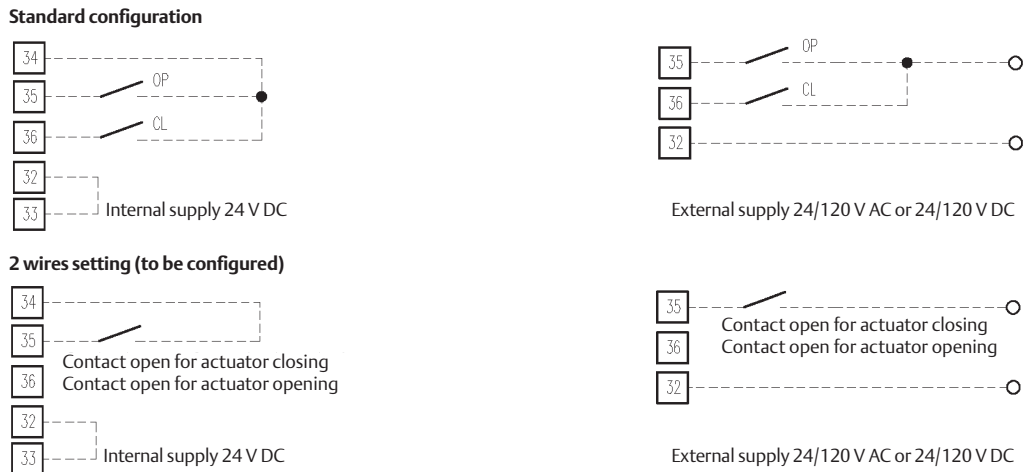
Figure 11



**NOTES:**

1. Power connection L1-L2 for V DC or V AC single phase motor supply from 24 V to 48 V or from 100 V to 240 V.  
Power connection L1-L2-L3 for 3-phase motor supply from 208 V to 575 V (check the actuator label for the correct voltage to be applied).
2. Remote command options:

Figure 12



3. Contacts shown in intermediate position CLC1-CLC2 end of travel signalling in CLOSING. Contacts shown in intermediate position OPC1-OPC2 end of travel signalling in OPENING.
4. Output contact rating: 240 V AC / 5 A - 30 V DC / 5 A - 120 V DC / 0.5 A.
5. Control command rating: 24 to 120 V AC or V DC.  
Control signal: minimum duration > 600 ms.  
Total current drawn for remote controls < 25 mA.
6. Blinker or local selector monitoring function (when OM3 is present) to be configured.

# Section 6: Identification

## 6.1 Water-, Dust-Proof Version

SCE300 actuators with OM3 are designed and manufactured according to EN 60529 standards.

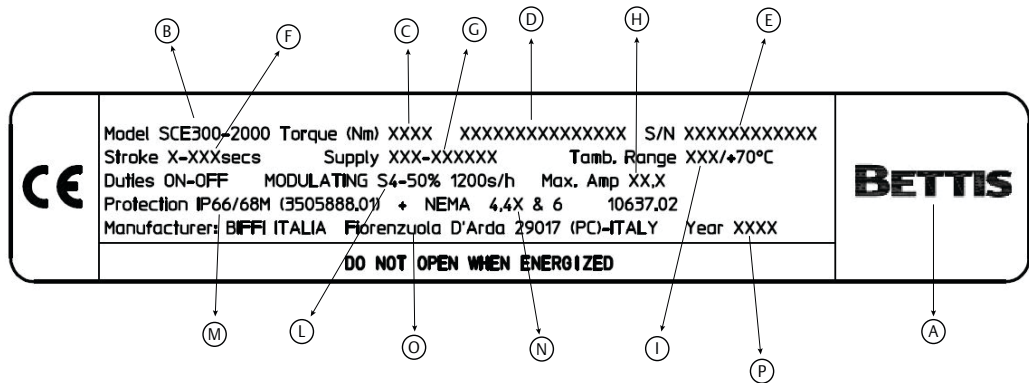
Specific types of protection are printed on the label, as follows:

- IP 66/68
- NEMA 4/4X/6 according to NEMA 250

## 6.2 Label for Application In Water-, Dust-Proof Areas

Marking description:

Figure 13



- A. Manufacturer logo
- B. Product model
- C. Nominal output torque value
- D. Product code
- E. Serial number
- F. Stroking time range
- G. Power supply data
- H. Max current absorption in ampere (at 24 V DC)
- I. Environmental data
- L. Actuator dutes
- M. Weatherproof protection degree (EU and US)
- N. Weatherproof certificate reference (EU and US)
- O. Manufacturer details
- P. Year of construction



## 6.3 Explosion-Proof Version

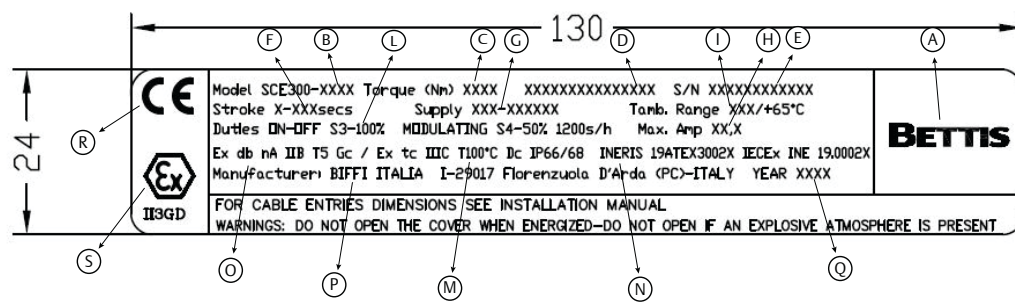
The version of SCE300 with OM3 suitable for installation in hazardous areas is designed and manufactured according to EN 50014, 50018, 50019, EN 50281-1-1 standards. The driven valve or associated gear reducer will form part of a separate risk analysis according to Directive ATEX 94/9/EC and following the EN 13463 norms. SCE300 actuators have IP 66/68 protection degree in accordance with EN 60529.

### **⚠ WARNING**

Whenever SCE300 actuators must be installed in a hazardous area as defined by the applicable rules, it is mandatory to check whether the actuator nameplates indicate their suitability to a hazardous area, and the appropriate protection degree. Maintenance and repair works must be carried out by qualified personnel and checked by responsible specialists.

## 6.4 ATEX Label for Application in Hazardous Areas

Figure 14



- A. Manufacturer logo
- B. Product model
- C. Nominal output torque value
- D. Product code
- E. Serial number
- F. Stroking time range
- G. Power supply data
- H. Max current absorption in ampere (at 24 V DC)
- I. Environmental data
- L. Actuator duties
- M. Explosion-proof protection degree
- N. Weatherproof protection degree
- O. ATEX certificate reference
- P. Manufacturer details
- Q. Year of construction
- R. Notified body for ATEX quality assurance (Ineris)
- S. ATEX marking



# Section 7: Safety Instructions

## 7.1 Foreword

This section is an integration of the base manual when additional Local Control Panel is added to a base unit; when this combination is used, both manuals must be used.

## 7.2 General Safety Instructions

The devices to which these safety instructions apply are Electrical Actuators for industrial valves Series SCE300 equipped with optional module Local Control Panel identified by SCE300-OM3. The above Electrical Actuators are designed for use on industrial and control valves suitable to be installed on heavy industrial, chemical, petrochemical, plants, refinery and/or pipelines for hazardous fluids.

The Electrical Actuators SCE300 with OM3 are produced by Emerson and identified by Product designation: SCE300-XXX/OM3. For the general Instructions relevant to the Installation, Operation and Configuration, Maintenance and Troubleshooting, the base Instruction and Operating Manual must be used.

The Electrical Actuators SCE300-OM3 are designed in accordance with the applicable International Rules and Specifications but in any case the following regulations must be observed:

- The general installation and safety regulations effective at site of installation.
- The proper use of personal protective devices (glasses, clothing, gloves).
- The proper use of tools, lifting and transport equipment.

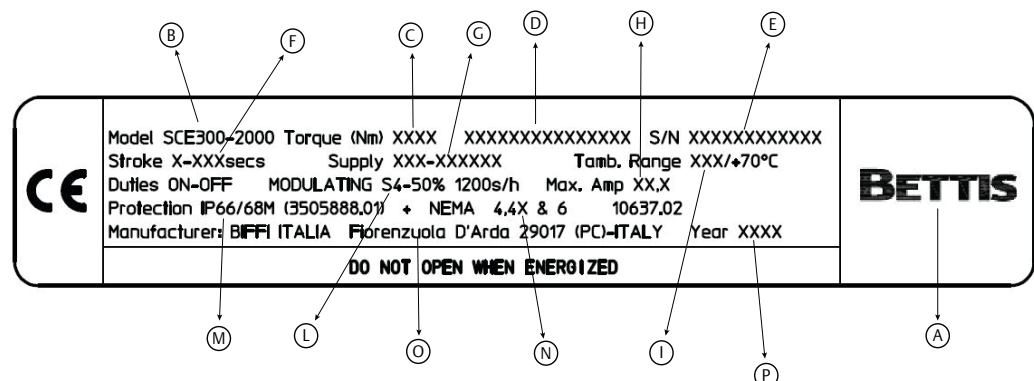
### **⚠ WARNING**

Before the installation in hazardous areas, as defined by the local rules, it is mandatory to check if the nameplate of the Electric Actuator specifies the appropriate degree of protection.

## 7.3 Check for Right Application

Before the installation, check for protection mode and for the ambient temperature range written on the appropriate label.

Figure 15



## WARNING

Installation in ambient with the presence of explosive atmospheres not covered by the specified grade of protection specified in the label, or which could reach temperatures outside the range specified in the label, will invalidate the safety and the warranty.

## 7.4 Applicable Standards and Regulations

<b>EN ISO 12100-1</b>	Safety of machinery - Basic concepts, general principles for design Part 1-Basic terminology, methodology
<b>EN ISO 12100-2</b>	Safety of machinery - Basic concepts, general principles for design Part 2-Technical principles and specification
<b>IEC/EN 60204-1</b>	Electrical equipment of industrial machines: Part 1-General requirements
<b>2006/42/EC</b>	Machinery Directive
<b>2014/35/EU</b>	Low Voltage Directive
<b>2014/30/EU</b>	EMC Directive

## 7.5 Terms and Conditions

Emerson guarantees each single product to be free from defects and to conform to current goods specifications. Except when differently specified, the warranty period in one year from the date of installation by the first user, or eighteen months from the date of shipment to the first user, whichever occurs first. No warranty is given for products which have been subject to improper storage, improper installation, misuse, or which have been modified or repaired by unauthorized personnel. Repair works due to improper use will be charged at standard rates.

## 7.6 Manufacturer's Liability

Emerson declines all liability in the event of:

- Use of product in contravention of local safety at work legislation.
- Incorrect installation, disregard or incorrect application of the instructions provided on the product nameplate and in this Installation and Operation and Maintenance Manual.
- Modification of the product without Emerson's authorization.
- Work done on the product by unqualified or unsuitable personnel.

## Section 8: Installation

### 8.1 Working Conditions

The Electric Actuators SCE300 with OM3 are suitable for the following ambient temperatures from -40 °C to +65 °C (from -40 °F to +149 °F).

---

**NOTE:**

Check the 'temperature ambient range' embossed on the nameplate, for the correct utilization with respect to the ambient temperature conditions.

---

### 8.2 Electrical Connections

Before applying electrical power to the actuator check that the electrical parameters (supply voltage and current) shown on the nameplate, are correct for this installation.

---

**NOTE:**

The installation and maintenance must be carried out in accordance to the applicable rules regarding the electrical installations in hazardous area (other than mines) classified as Zone 1 (gas): IEC 60079-10; IEC 60079-14; IEC 60079-17 and/or other national standards.

---

### 8.3 Instructions for the Intrinsically-Safe Enclosures

---

**NOTE:**

The installation and maintenance of Electric Actuators SCE300 with OM3 must be carried out in accordance to the applicable rules regarding the electrical installations in hazardous area (other than mines) classified as Zone 1 (gas): IEC 60079-10; IEC 60079-14; IEC 60079-17 and/or other national standards.

---

** WARNING**

Do not operate the Electric Actuator electrically when the Local Control Panel is removed from the terminal board enclosure. Operating the unit with the electrical enclosures not protected by their covers could cause personal injury.

---

### 8.4 Installation in Ambient with Explosive Dusts

---

**NOTE:**

The installation and maintenance must be carried out in accordance with IEC 61241-14.

---

Special attention must do to these following points:

- The cable glands must have a protection degree at minimum IP 66/68 (IEC 60529).
- Periodically verify the quantity of dust deposited on the enclosure and clean it in the case the quantity becoming more than 5 mm.

## Section 9: Special Maintenance

### WARNING

The maintenance and any repair works must be carried out by personnel specifically qualified and fully trained for works in hazardous areas.

### 9.1 Periodic Inspections

- A. Frequency of inspection may depend from the installation and working conditions; in general, at least one inspection every two years is recommended.
- B. Inspect the Electrical Actuator with particular attention to electrical enclosures conditions.

### WARNING

Any damage or breaking found on the enclosures, lack of screws fixing the covers or loosen screws must require an immediate maintenance action.

- C. Keep the external surface clean: if the Electrical Actuators are installed in a dusty environment the specification stated in IEC 61241-14 be followed ensuring in particular that the dust layer does not exceed 5 mm.
- D. Check the condition of cable connection and mounting bolts: any loose connection must be amended.

### 9.2 Repairs of Intrinsically-Safe Parts

### WARNING

In case the maintenance should require the replacement of any component which forms part of the Local Control Panel only an original spare provided by Emerson **MUST** be used. Direct repair or reconstruction of the above components are not permitted without the Emerson permission. Not performing this procedure will invalidate the product safety and contractual guarantee.

Original spare parts must be required to Emerson: to ensure that right spare is provided, serial number printed on the Electric Actuator label **MUST** be specified when spares are ordered.

*This page intentionally left blank*

**World Area Configuration Centers (WACC) offer sales support, service, inventory and commissioning to our global customers. Choose the WACC or sales office nearest you:**

***NORTH & SOUTH AMERICA***

19200 Northwest Freeway  
Houston TX 77065  
USA  
T +1 281 477 4100

Av. Hollingsworth  
325 Iporanga Sorocaba  
SP 18087-105  
Brazil  
T +55 15 3413 8888

***ASIA PACIFIC***

No. 9 Gul Road  
#01-02 Singapore 629361  
T +65 6777 8211

No. 1 Lai Yuan Road  
Wuqing Development Area  
Tianjin 301700  
P. R. China  
T +86 22 8212 3300

***MIDDLE EAST & AFRICA***

P. O. Box 17033  
Jebel Ali Free Zone  
Dubai  
T +971 4 811 8100

P. O. Box 10305  
Jubail 31961  
Saudi Arabia  
T +966 3 340 8650

24 Angus Crescent  
Longmeadow Business Estate East  
P.O. Box 6908 Greenstone  
1616 Modderfontein Extension 5  
South Africa  
T +27 11 451 3700

***EUROPE***

Holland Fasor 6  
Székesfehérvár 8000  
Hungary  
T +36 22 53 09 50

Strada Biffi 165  
29017 Fiorenzuola d'Arda (PC)  
Italy  
T +39 0523 944 411

For complete list of sales and manufacturing sites, please visit [www.emerson.com/actuationtechnologieslocations](http://www.emerson.com/actuationtechnologieslocations) or contact us at [info.actuationtechnologies@emerson.com](mailto:info.actuationtechnologies@emerson.com)

[www.emerson.com/bettis](http://www.emerson.com/bettis)

VCIOM-17109-EN ©2022 Emerson. All rights reserved.

The Emerson logo is a trademark and service mark of Emerson Electric Co. Bettis™ is a mark of one of the Emerson family of companies. All other marks are property of their respective owners.

The contents of this publication are presented for informational purposes only, and while every effort has been made to ensure their accuracy, they are not to be construed as warranties or guarantees, express or implied, regarding the products or services described herein or their use or applicability. All sales are governed by our terms and conditions, which are available upon request. We reserve the right to modify or improve the designs or specifications of such products at any time without notice.



## Free Manuals Download Website

<http://myh66.com>

<http://usermanuals.us>

<http://www.somanuals.com>

<http://www.4manuals.cc>

<http://www.manual-lib.com>

<http://www.404manual.com>

<http://www.luxmanual.com>

<http://aubethermostatmanual.com>

Golf course search by state

<http://golfingnear.com>

Email search by domain

<http://emailbydomain.com>

Auto manuals search

<http://auto.somanuals.com>

TV manuals search

<http://tv.somanuals.com>