



13 MEMORY SPEAKERPHONE
MODEL EM2246HS
OPERATING INSTRUCTIONS



- * 3 One-touch Speed Dial Memory
- * 10 Two-touch Speed Dial Memory
- * Last Number Redial
- * Flash / Hold Function
- * Speakerphone with Volume control
- * Ringer Volume control (HI / LOW / OFF)
- * Handset Volume control
- * Desk or wall mountable
- * Headset included

NOTE: READ AND FOLLOW THESE INSTRUCTIONS BEFORE USING YOUR TELEPHONE

IMPORTANT SAFETY INSTRUCTIONS

When using your telephone equipment, basic safety precautions should always be followed to reduce the risk of fire, electric shock and personal injury, including the following:

1. Read and follow all instructions and warnings.
2. Unplug this product from the wall outlet before cleaning. Do not use liquid cleaners or aerosol cleaners. Use a slightly dampened cloth only.
3. Do not use this product near water, for example, near a bathtub, wash bowl, kitchen sink, or laundry tub, in a wet basement, or near a swimming pool.
4. Do not place this product on an unstable cart, stand or table. The product may fall, causing serious damage to the phone.
5. Slots and openings in back or bottom of the phone are for ventilation, and should not be blocked or covered. The openings should never be blocked by placing the product on the bed, sofa, rug, or other similar surface. This product should never be placed near or over a radiator, heat register or a built-in installation such as a bookcase or cabinet unless proper ventilation is provided.
6. Never push objects of any kind into this product through cabinet slots as they may touch dangerous voltage points or short out parts that could result in risk of fire or electric shock. Never spill liquid of any kind on the product.
7. To reduce the risk of electric shock, do not take this telephone apart. When service or repair work is required, take it to a qualified service representative, opening or removing covers may expose you to dangerous voltage or other risks. Incorrect reassembly can cause electric shock when the appliance is subsequently used.
8. Unplug this product from the wall outlet and refer servicing to qualified service personnel under the following conditions:
 - A. When the cord or plug is damaged or frayed.
 - B. If liquid has been spilled into the product.
 - C. If the product has been exposed to rain or water
 - D. If the product does not operate normally by following the operating instructions. Adjust only those controls that are covered by the operating instructions because improper adjustment of other controls may result in damage and will often require extensive work by a qualified technician to restore the product to normal operation.
 - E. If the product has been dropped or the cabinet has been damaged.
 - F. If the product exhibits a distinct change in performance.
9. Avoid using a telephone (other than a cordless type) during an electrical storm. There may be a remote risk of electric shock from lightning.
10. Do not use the telephone to report a gas leak in the vicinity of the leak.
11. Do not allow anything to rest on the telephone cord. Do not locate this product where the cord will be damaged by persons walking on it.
12. Never install telephone wiring during a lightning storm.
13. Never install telephone jacks in wet locations unless the jack is specially designed for wet locations.
14. Never touch uninsulated telephone wires or terminals, unless the telephone line has been disconnected at the network interface.
15. Be careful when installing or modifying telephone lines.

**CAUTION: TO REDUCE THE RISK OF FIRE, ELECTRIC SHOCK
AND PERSONAL INJURY, DO NOT OPEN CABINET.**

IMPORTANT TELEPHONE COMPANY & FCC INFORMATION

Your telephone equipment is approved for connection to the Public Switched Telephone Network and is compliance with part 68, FCC Rules and Regulations and the Technical Requirements for Telephone Terminal Equipment published by ACTA.

1. Notification to the Local Telephone Company

On the bottom of this equipment is a label indicating, among other information, the US number and Ringer Equivalence Number (REN) for the equipment. You must, upon request, provide this information to your telephone company.

The REN is useful in determining the number of devices you may connect to your telephone line and still have all of these devices ring when your telephone number is called. In most (but not all) areas, the sum of the REN of all devices connected to one line should not exceed 5. To be certain of the number of devices you may connect to your line as determined by the REN, you should contact your local telephone company. A plug and jack used to connect this equipment to the premises wiring and telephone network must comply with the applicable FCC Part 68 rules and requirements adopted by the ACTA. A compliant telephone cord and modular plug is provided with this product. It is designed to be connected to a compatible modular jack that is also compliant. See installation instructions for details.

Notes

- * This equipment may not be used on coin service provided by the telephone company.
- * Party lines are subject to state tariffs, and therefore, you may not be able to use your own telephone equipment if you are on a party line. Check with your local telephone company.
- * Notice must be given to the telephone company upon permanent disconnection of your telephone from your line.
- * If your home has specially wired alarm equipment connected to the telephone line, ensure the installation of this product does not disable your alarm equipment. If you have questions about what will disable alarm equipment, consult your telephone company for a qualified installer.

2. *Rights of the Telephone Company*

Should your equipment cause trouble on your line which may harm the telephone network, the telephone company shall, when possible, notify you that temporary discontinuance of service may be required. Where prior notice is not possible and the circumstances warrant such action, the telephone company may temporarily discontinue service immediately. In case of such temporary discontinuance, the telephone company must: (1) promptly notify you of such temporary discontinuance; (2) afford you the opportunity to correct the situation; and (3) inform you of your right to bring a complaint to the Commission pursuant to procedures set forth in Subpart E of Part 68, FCC Rules and Regulations.

The telephone company may make changes in its communication facilities, equipment, operations or procedures where such action is required in the operation of its business and not inconsistent with FCC Rules and Regulation. If these changes are expected to affect the use or performance of your telephone equipment, the phone company must give you adequate notice, in writing, to allow you to maintain un-interrupted service.

IMPORTANT TELEPHONE COMPANY & FCC INFORMATION

FCC NOTES

This device complies with Part 15 of the FCC Rules. Operation is subject to the following two conditions: (1) This device may not cause harmful interference, and (2) This device must accept any interference received, including interference that may cause undesirable operation.

WARNING:

Changes or modifications to this unit not expressly approved by the party responsible for compliance could void the user's authority to operate the equipment.

NOTE:

This equipment has been tested and found to comply with the limits for a Class B digital device, pursuant to Part 15 of the FCC Rules. These limits are designed to provide reasonable protection against harmful interference in a residential installation. This equipment generates, used in accordance with the instructions, may cause harmful interference to radio communication. However, there is no guarantee that interference will not occur in a particular installation. If this equipment does cause harmful interference to radio or television reception, which can be determined by turning the equipment off and on, the user is encouraged to try to correct the interference by one or more of the following measures:

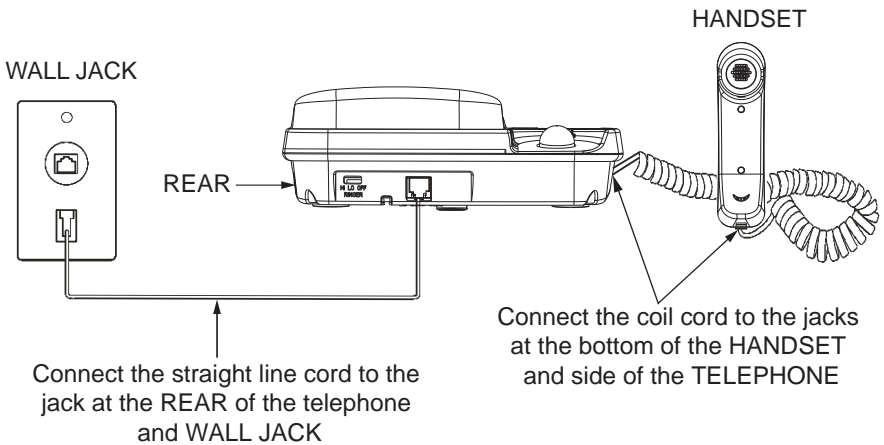
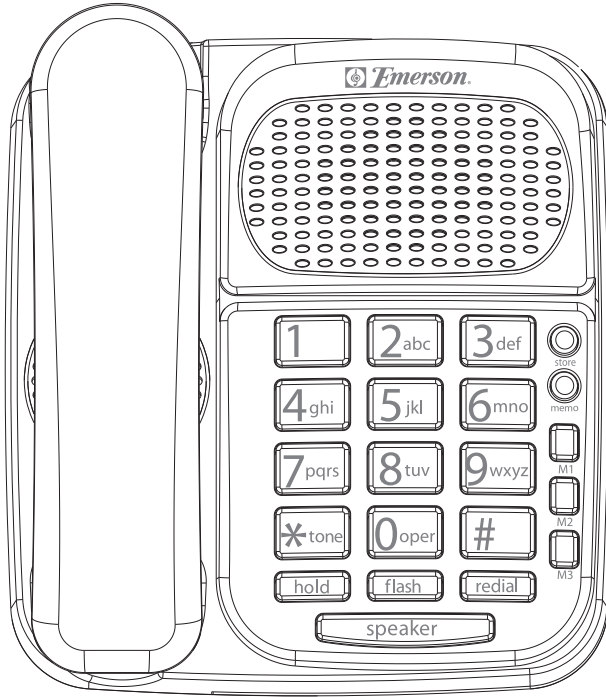
- Reorient or relocate the receiving antenna.
- Increase the separation between the equipment and receiver.
- Connect the equipment into an outlet on a circuit different from that to which the receiver is connected.
- Consult the dealer or an experienced radio / TV technical for help.

Thank you for purchasing an Emerson phone product, Your Emerson telephone is designed to provide many years of trouble free performance. Please follow the safety and operating instructions below.



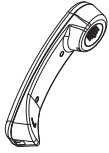
CAUTION: When using telephone equipment, there are basic safety instructions that should always be followed. Refer to the **IMPORTANT SAFETY INSTRUCTIONS** provided with this product and save them for future reference.

CONNECTING THE TELEPHONE



CHECKING THE PACKAGE CONTENTS

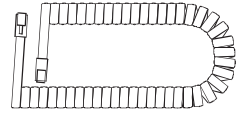
As you unpack this set, make sure you have the following items in the package.



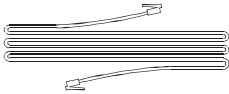
HANDSET



TELEPHONE BASE



COILED HANDSET CORD



STRAIGHT TELEPHONE
LINE CORD



WALL MOUNT ADAPTOR
(attached to the back of the
base for wall mounting)



HEADSET

VOLUME CONTROL AND RINGER SETTINGS

Adjust the handset volume	Slide the HANDSET VOLUME control to NORM or LOUD (on the right side of the phone).
Adjust the speakerphone volume	Slide the SPEAKERPHONE VOLUME control: MIN/MAX (on the right side of the phone).
Adjust the ringer level	HI - Rings loud on incoming calls. LO - Ring volume is lowered on incoming calls. OFF - No ringing on incoming calls.

MAKING CALLS

1. Pick up the handset or press the **speaker** button to get a dial tone.
2. Dial your call.
3. To end the call, replace the handset on the base or press the **speaker** button again.

ANSWERING CALLS

1. After the phone rings, pick up the handset or press the **speaker** button.
2. To end the call, replace the handset on the base or press the **speaker** button again.

HOLD FUNCTION

Press the **hold** button to temporarily put a caller on hold without disconnecting the call.

FLASH

Use the **flash** button for **Call Waiting** and **Three Way Calling** services.

NOTE: *Call Waiting and Three Way Calling are services provided by your local telephone company.*

LAST NUMBER REDIALING

1. Pick up the HANDSET or press the **speaker** button.
2. Press the **redial** button.

STORING PHONE NUMBERS INTO MEMORY

1. Pick up the handset, or press the **speaker** button.
2. Press the **store** button.
3. Dial the phone number you want to store.

4.	<i>For (3) one-touch dialing:</i>	<i>For (10) two-touch dialing:</i>
	Press one of the 3 one-touch speed dial buttons (M1 to M3).	Press the store button again, and then press one of the dialing keys (0 to 9) to store a phone number in.

5. Repeat steps 1 to 4 to store numbers into other memory locations.

MEMORY DIALING

1. Pick up the handset or press the **speaker** button.

2.	<i>For (3) one-touch dialing:</i>	<i>For (10) two-touch dialing:</i>
	Press one of the 3 one-touch speed dial buttons (M1 to M3).	Press the memo button, and then press one of the dialing keys (0 to 9).

3. The phone will dial the number you stored into that memory.

CONNECTING THE HEADSET

1. Connect the provided headset to the HEADSET jack located on the right side of the phone.
2. Press the **speaker** button.
3. Use the headset for private hands free conversations.

TROUBLESHOOTING

PROBLEMS	CHECK
No dial tone.	Is any plug disconnected from the modular phone jack ? Is any jack improperly wired? Use another phone to test the jack.
Phone does not ring.	RINGER may be set to OFF? Slide to HI or LO position.
Static noise on line or cannot hear calling party or calling party cannot hear you.	Make sure the handset coil cord is connected properly, or replace the handset coil cord.
Feedback or squealing when using SPEAKERPHONE .	Volume is too high. Reduce the SPEAKERPHONE VOLUME control setting.
Memory Dialing does not work.	Check if you have stored the numbers correctly by pressing that memory location button(s).
Handset falls out of phone base when wall mounted.	Handset clip was not installed properly for wall use.

Southern Telecom™ LIMITED WARRANTY

In the unlikely event that this product is defective, or does not perform properly, you may within ninety (90) days from your original date of purchase return it to the authorized service center for repair or exchange.

TO OBTAIN WARRANTY SERVICE:

- **Provide proof of the date of purchase within the package (Dated bill of sale)**
- **Prepay all shipping costs to the authorized service center, and remember to insure your return.**
- **Include a return shipping address (no P.O. Boxes), a telephone contact number, and the defective unit within the package. Describe the defect or reason you are returning the product.**

Your product will be repaired or replaced, at our option, for the same or similar model of equal value if examination by the service center determines this product is defective. Products received damaged, as a result of shipping will require you to file a claim with the carrier.

The shipping address of the authorized service center is:

**Southern Telecom Inc.
ATTN: Returns Department
14-C 53rd Street
Brooklyn, NY 11232**

Should you have any questions or problems concerning this product, please contact our customer service department via email at cs@southern telecom.com.

To obtain service after the warranty period, please email cs@southern telecom.com with product information, date of purchase and nature of the problem. Customer service will reply to the email with service instructions.

Warranty service not provided

This warranty does not cover damage resulting from accident, misuse, abuse, improper installation or operation, lack of reasonable care, and unauthorized modification.

This warranty is voided in the event any unauthorized person opens, alters or repairs this product. All products being returned to the authorized service center for repair must be suitably packaged.

Limitation of Warranty:

- THE WARRANTY STATED ABOVE IS THE ONLY WARRANTY APPLICABLE TO THIS PRODUCT. ALL OTHER WARRANTIES, EXPRESS OR IMPLIED (INCLUDING ALL IMPLIED WARRANTIES OF MERCHANTABILITY OR FITNESS FOR A PARTICULAR PURPOSE) ARE HEREBY DISCLAIMED. NO VERBAL OR WRITTEN INFORMATION GIVEN BY SOUTHERN TELECOM INC. IT'S AGENTS, OR EMPLOYEES SHALL CREATE A GUARANTY OR IN ANY WAY INCREASE THE SCOPE OF THIS WARRANTY.
- REPAIR OR REPLACEMENT AS PROVIDED UNDER THIS WARRANTY IS THE EXCLUSIVE REMEDY OF THE CONSUMER, SOUTHERN TELECOM INC. SHALL NOT BE LIABLE FOR INCIDENTAL OR CONSEQUENTIAL DAMAGES RESULTING FROM THE USE OF THIS PRODUCT OR ARISING OUT OF ANY BREACH OF ANY EXPRESS OR IMPLIED WARRANTY ON THIS PRODUCT. THIS DISCLAIMER OF WARRANTIES AND LIMITED WARRANTY ARE GOVERNED BY THE LAWS OF THE STATE OF NEW YORK. EXCEPT TO THE EXTENT PROHIBITED BY APPLICABLE LAW, ANY IMPLIED WARRANTY OF MERCHANTABILITY OR FITNESS FOR A PARTICULAR PURPOSE ON THIS PRODUCT IS LIMITED TO THE APPLICABLE WARRANTY PERIOD SET FORTH ABOVE.
- SOME STATES DO NOT ALLOW THE EXCLUSION NOR LIMITATION OF INCIDENTAL, CONSEQUENTIAL DAMAGES, OR LIMITATIONS ON HOW LONG AN IMPLIED WARRANTY LASTS SO THE ABOVE LIMITATIONS OR EXCLUSION MAY NOT APPLY TO YOU.

THIS WARRANTY GIVES YOU SPECIFIC LEGAL RIGHTS, AND YOU ALSO MAY HAVE OTHER RIGHTS THAT VARY FROM STATE TO STATE.

Manufactured by: AIT Inc., Brooklyn NY, 11232
Emerson and the G-Clef logo are registered trademarks of Emerson Radio Corp.,
Parsippany, New Jersey USA

Free Manuals Download Website

<http://myh66.com>

<http://usermanuals.us>

<http://www.somanuals.com>

<http://www.4manuals.cc>

<http://www.manual-lib.com>

<http://www.404manual.com>

<http://www.luxmanual.com>

<http://aubethermostatmanual.com>

Golf course search by state

<http://golfingnear.com>

Email search by domain

<http://emailbydomain.com>

Auto manuals search

<http://auto.somanuals.com>

TV manuals search

<http://tv.somanuals.com>