



User Guide
EVC125HD

In the box

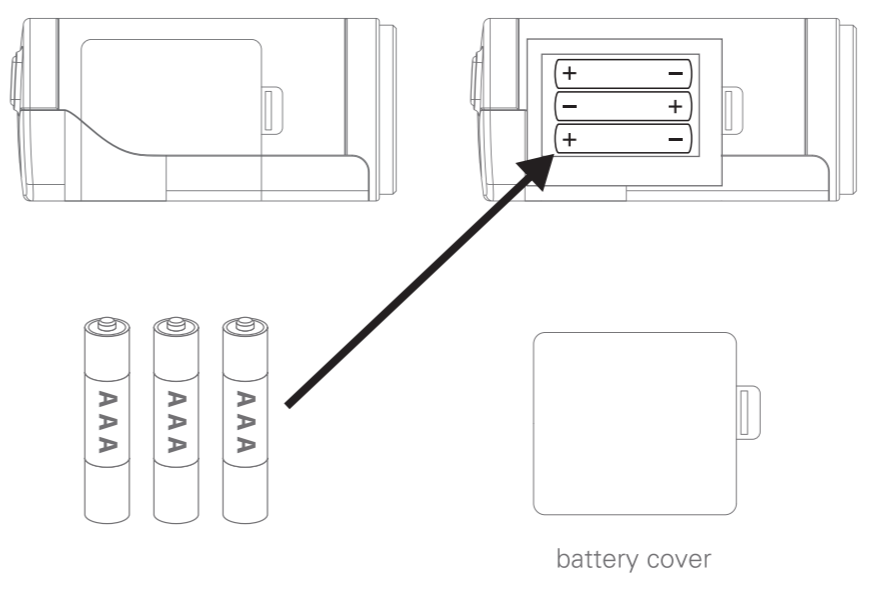


Requires 3 AAA batteries (not included)

Setting up your camera

Battery Installation

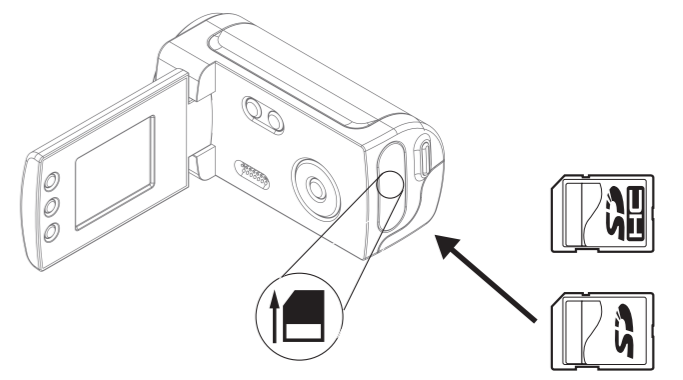
1. Open the battery cover by pressing the battery lock.
2. Insert 3 alkaline "AAA" size batteries (not included) into the compartment.
3. Close the battery cover.



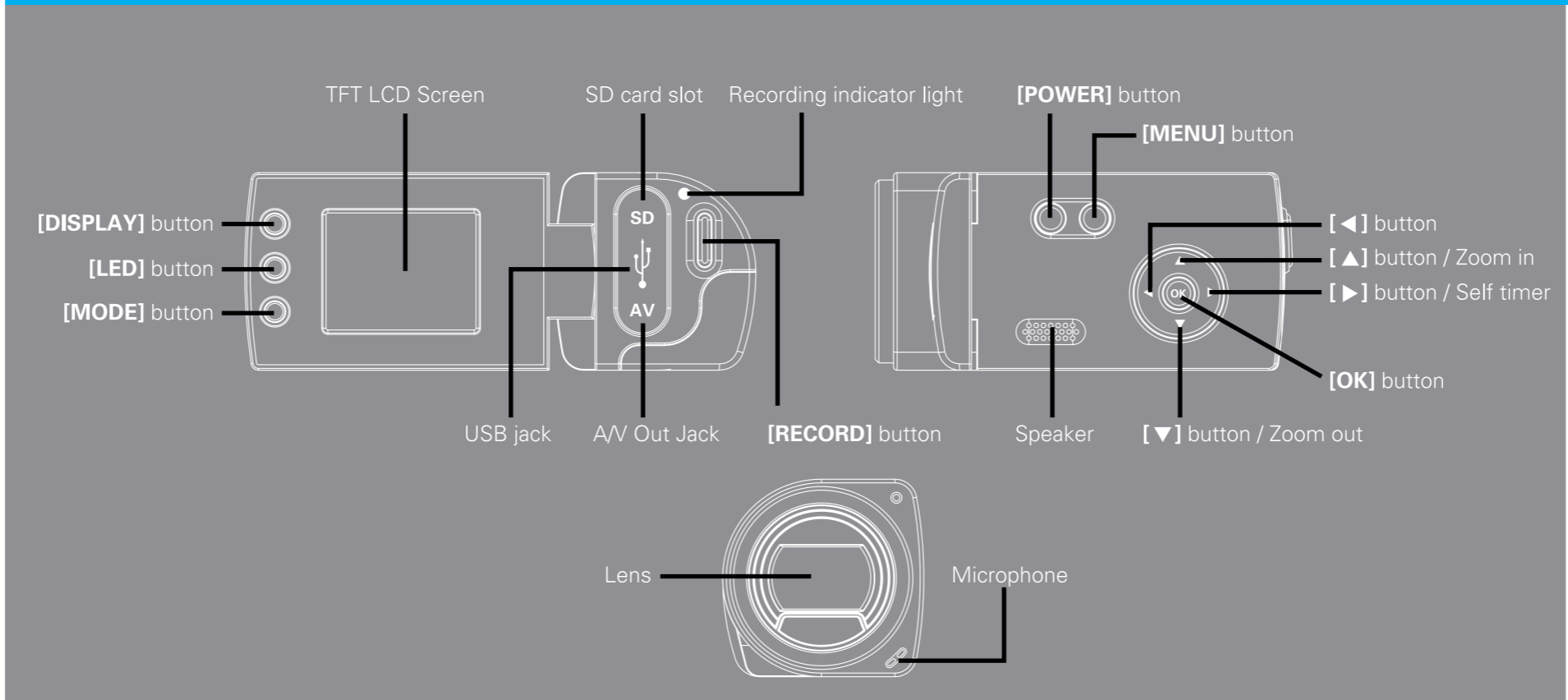
SD card installation

This camera has no internal memory and requires an **SD/SDHC** card (2 GB SD card included) to record videos or take pictures. The camera can support SD/SDHC cards up to **8GB**. To install the SD card into the camera, follow the steps below:

1. Turn off the camera.
2. Insert the SD card into the card slot (as shown below) until it clicks and locks into place.
3. To remove the card, gently push it in until it pops out.



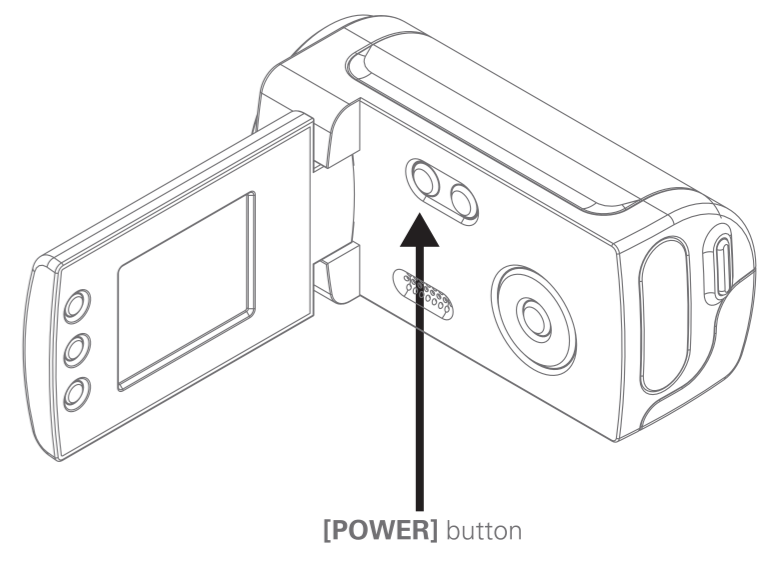
Location of controls



Using your camera

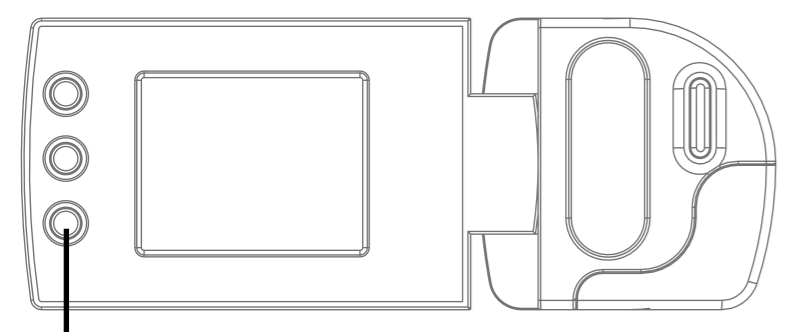
Turning the camera on/off

1. To turn the camera on, press and HOLD the **[POWER]** button until the display turns on.
2. To turn the camera off, press and HOLD the **[POWER]** button until the display turns off.



Camera modes

When you turn on the camera, the default mode is **Video Mode**. To scroll through and select one of the camera modes below, press the **[MODE]** button until the desired mode is displayed.

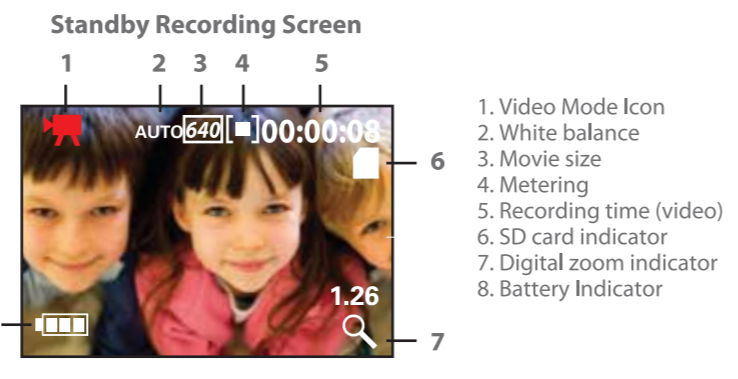


[MODE] button

- Press the **[MODE]** button to switch between:
- Video Mode - Record videos
 - or
 - Picture Mode - Take Pictures
 - or
 - Playback Mode - Playback videos or view pictures

Video Mode

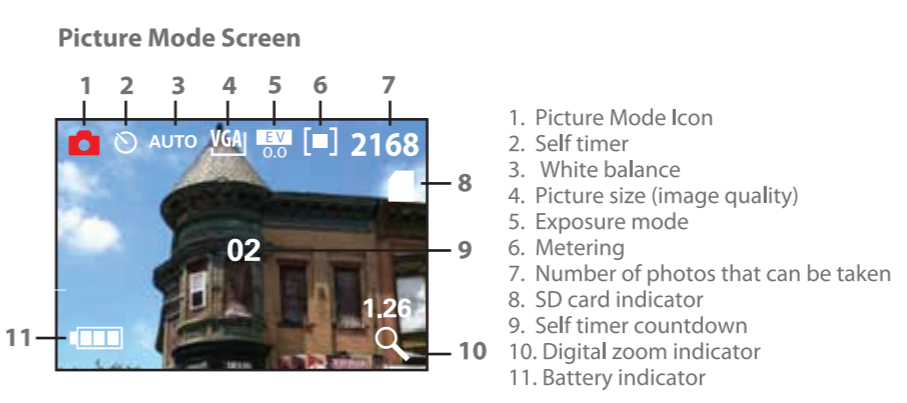
1. Make sure that an SD card is inserted into the camera.
2. Turn on the camera, the **Standby Recording Screen** is displayed and the camera is in the **Video Mode**.
3. Press the **[RECORD]** button, the Recording Screen is displayed and the camera is recording video (The recording indicator light is lit when recording).
4. To stop recording, press the **[RECORD]** button once again, and the display returns to the **Standby Recording Screen**.



- Zoom**
Use the [▲] and [▼] button to zoom in and out when recording video, taking photos or viewing Still images.
- LED Light**
Press the [LED] button to turn the LED light On or Off.
- Pause recording**
Press the [▶] button to pause while recording.

Picture Mode

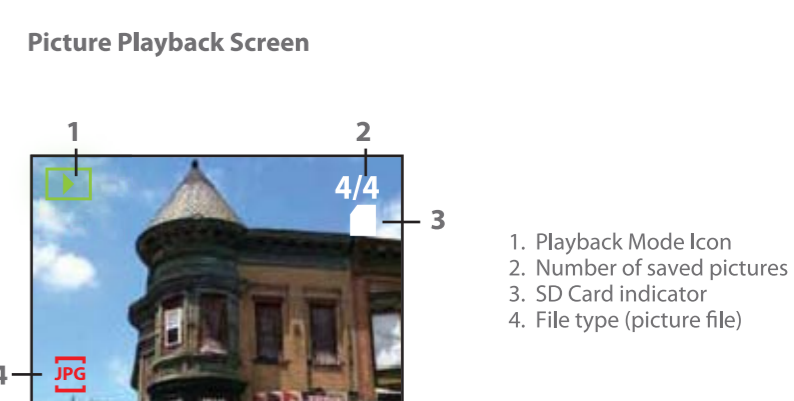
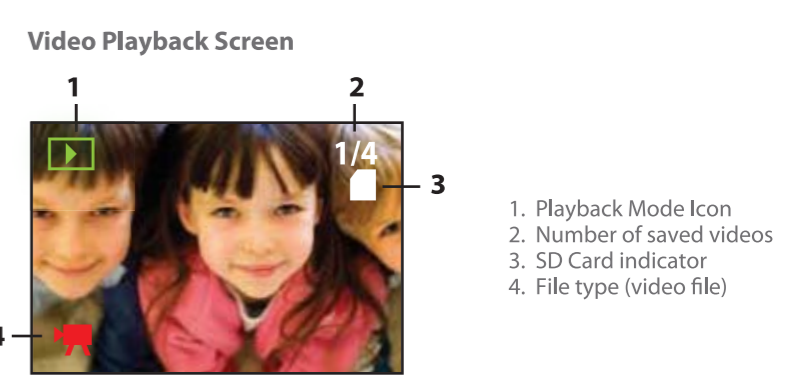
1. Make sure that an SD card is inserted into the camera.
2. Turn on the camera, and press the **[MODE]** button once to enter the **Picture Mode** (the **Picture Mode Screen** is displayed).
3. Press the **[RECORD]** button to take a picture.



- Self timer and continuous shooting**
1. Press the [▶] button to select 2 seconds, 10 seconds self timer, or burst, and then press the **[RECORD]** button.
 2. When you select 2 or 10 seconds self timer, the timer starts counting down from 2 or 10 seconds, and the camera takes a picture; when you select burst, the camera takes 3 pictures continuously.
 3. Press the **[RECORD]** button to start self timer or burst snapshot.
 4. Press the [▶] button to turn off the self timer or burst feature.

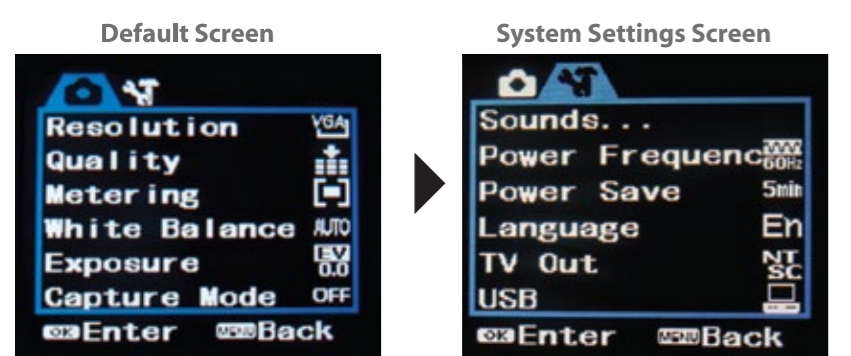
Playback Mode

1. Turn on the camera, and press the **[MODE]** button twice to enter the **Playback mode**.
2. Use the [◀] or [▶] button to select a video or picture.
3. If you select a video, press the **[RECORD]** button to start or stop the playback.
4. Press the **[MODE]** button again to return to the **Video Mode** or **Picture Mode**.



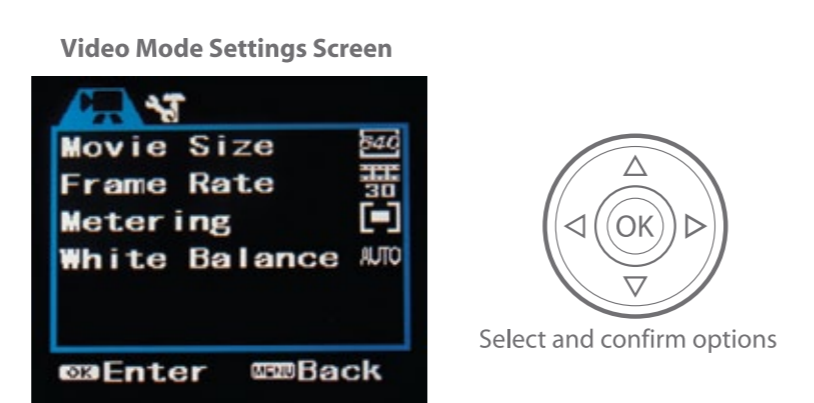
System Settings

- Press the **[Menu]** button within any mode and follow the steps below to access the **System Settings Screen**.
1. Use the [▶] button to select [⚙].
 2. Use the [▲] [▼] [◀] [▶] buttons to select an option, and confirm by pressing the [OK] button.
 3. Press the [Menu] button to exit the **System Settings Screen**.



Video Mode Settings

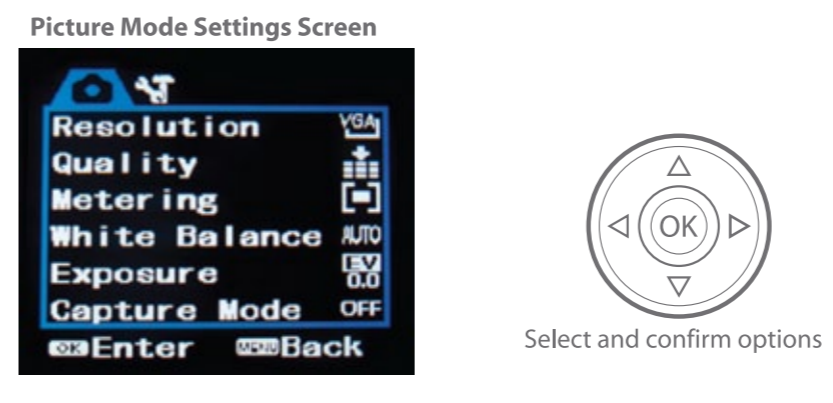
1. Press the **[MODE]** button until the **Video Mode** is selected.
2. Press the [Menu] button to access the **Video Mode Settings Screen**.
3. Use the [▲] [▼] [◀] [▶] buttons to select an option, and confirm by pressing the [OK] button.
4. Press the [Menu] button to exit the **Video Mode Settings Screen**.



- Video Mode Settings Options**
- MOVIE SIZE**
 - 1280x720 (Highest quality video/shortest recording time)
 - 640X480 (higher quality video/shorter recording time)
 - 320x240 (lower quality video/longer recording time)
 - FRAME RATE**
 - 30 Frames Per Second (higher quality video/shorter recording time)
 - 15 Frames Per Second (lower quality video/longer recording time)
 - METERING**
 - Center / Multi / Spot
 - WHITE BALANCE**
 - Auto / Daylight / Cloudy / Fluorescent / Bulb

Picture Mode Settings

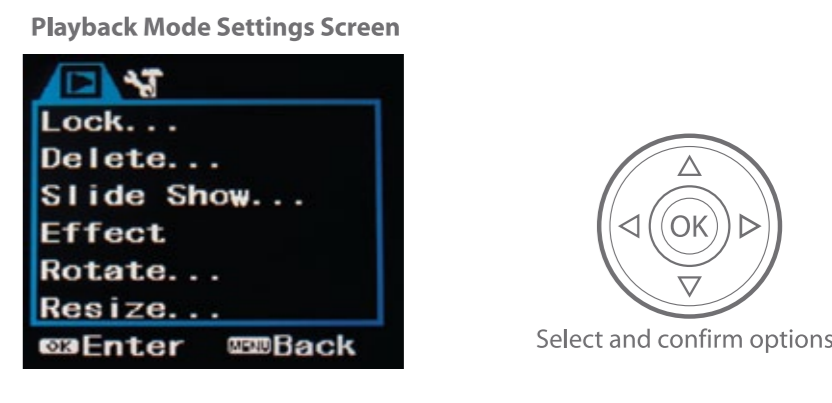
1. Press the **[MODE]** button until the **Picture Mode** is selected.
2. Press the [Menu] button to access the **Picture Mode Settings Screen**.
3. Use the [▲] [▼] [◀] [▶] buttons to select an option, and confirm by pressing the [OK] button.
4. Press the [Menu] button to exit the **Picture Mode Settings Screen**.



- Picture Mode Settings Options**
- RESOLUTION**
 - 12M(4000x3000)/ 5M(2592x1944)/ 3M(2048X1536)/ 1M(1280X960)/VGA(640X480)
 - (Higher picture resolution takes up more space on the card).
 - QUALITY**
 - Super fine / Fine / Normal
 - METERING**
 - Center / Multi / Spot
 - WHITE BALANCE**
 - Auto / Daylight / Cloudy / Fluorescent / Bulb
 - EXPOSURE**
 - Adjust the exposure
 - CAPTURE MODE**
 - "Off" (disables the Picture Mode), "2" or "10" second options (self timer), "Burst"
 - EFFECT**
 - Normal / B&W / Sepia / Negative / Red / Green / Blue

Playback Settings

1. Press the [▶] button to select playback mode.
2. Press the [Menu] button to access the **Playback Mode Settings Screen**.
3. Use the [▲] [▼] [◀] [▶] buttons to select an option, and confirm by pressing the [OK] button.
4. Press the [Menu] button to exit the **Playback Mode Settings Screen**.



- Playback Mode Settings Options**
- LOCK**
 - Lock one or all of your picture and video files. When locked they will not be able to be deleted.
 - DELETE**
 - "One" (Delete the currently displayed video or picture) or "All"
 - SLIDE SHOW**
 - Start a slide show, and adjust the slide show settings
 - EFFECT**
 - Select from various special effects
 - ROTATE**
 - Rotate the picture
 - RESIZE**
 - Resize the picture
 - VOICE MEMO**
 - Record a voice memo, or delete a previously recorded voice memo.

System Settings Options	
SOUNDS	shutter(on/off),start-up(1/2/3/none),Beep(on/off),Volume(0/1/2/3)
POWER FREQUENCY	50Hz / 60Hz (The camera's default setting is 60Hz for the USA and North America)
POWER SAVE	Select 1, 3, or 5 minutes. To conserve battery power, the camera will shut off if no buttons are pressed within the selected time.
LANGUAGE	Select a display language.
TV OUT	PAL / NTSC (The camera's default setting is NTSC for the USA and North America).
USB	MSDC OR PCCAM (Only select PCCAM when you would like to use the camera as a webcam).
FORMAT	Format the SD / SDHC card (Deletes everything on the card).
RESET ALL	Reset the camera to factory default settings.

Free Manuals Download Website

<http://myh66.com>

<http://usermanuals.us>

<http://www.somanuals.com>

<http://www.4manuals.cc>

<http://www.manual-lib.com>

<http://www.404manual.com>

<http://www.luxmanual.com>

<http://aubethermostatmanual.com>

Golf course search by state

<http://golfingnear.com>

Email search by domain

<http://emailbydomain.com>

Auto manuals search

<http://auto.somanuals.com>

TV manuals search

<http://tv.somanuals.com>