



TABLE-TOP ELECTRONIC WINE COOLER

I

OWNER'S MANUAL **FR23RD/SL**

Visit our web site at "www.emersonradio.com"

UNAUTHORIZED MODIFICATIONS TO THIS DEVICE COULD VOID THE USER'S AUTHORITY TO OPERATE IT

READ AND SAVE THESE IMPORTANT SAFETY INSTRUCTIONS BEFORE USING THIS APPLIANCE:

When using an electrical appliance, basic precautions should always be followed to reduce the risk of fire, electric shock, and injury to persons, including the following:

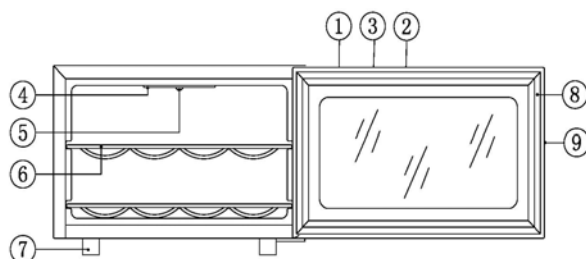
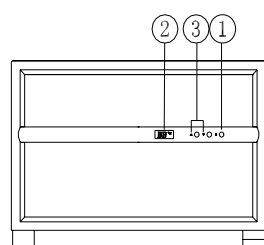
1. Use this appliance only as described in this manual. Other uses not recommended may cause fire, electric shock or personal injury.
2. This product is intended for household use ONLY and not for commercial, industrial or outdoor use.
3. To protect against electric shock, do not immerse unit, plug or cord in water or spray with liquids.
4. Close supervision is necessary when any appliance is used by or near children.
5. Unplug the appliance from the outlet when not in use & when moving from one location to another and before cleaning.
6. To disconnect the appliance, grip the plug and pull it from the wall outlet. Never pull by the cord.
7. Do not operate the appliance in the presence of explosive and/or flammable fumes.
8. Do not place the appliance or any of its parts near an open flame, cooking or other heating appliance.
9. Do not operate the appliance with a damaged cord or plug, if the product malfunctions, or if it is dropped or damaged in any manner.
10. The use of attachments not recommended by the manufacturer may be hazardous.
11. Place the unit on a dry level surface.
12. Do not operate if the housing is removed or damaged.
13. A loose fit between the AC outlet (receptacle) and plug may cause overheating and a distortion of the plug. Contact a qualified electrician to replace loose or worn outlet.
14. This appliance is designed to be free standing only, and should not be recessed or built-in (fully recessed).
15. Locate the unit away from direct sunlight and sources of heat (stove, heater, radiator, etc.). Direct sunlight will affect / alter the outside color of the appliance.

WARNING: To reduce the risk of fire, electric shock or personal injury, unplug or disconnect the appliance from the power supply before servicing.

SAVE THESE INSTRUCTIONS FOR FUTURE USE

Save time and money. Before you call for service, check the Troubleshooting Guide at the back of this manual. It lists causes of minor operating problems that you can correct yourself.

Product Overview:



1. Light Switch*

2. LCD Display*

3. Temperature Adjustment Buttons*

4. Light Cover

5. Interior Lights

6. Chrome Shelf

7. Feet

8. Magnetic Seal

9. Door

* See Control Panel Overview section below for more detailed information

Control Panel Overview:



- ▲ - Increase temperature in increments of 1°F (Fahrenheit)
- ▼ - Decrease temperature in increments of 1°F (Fahrenheit)
- ☀ - Turn interior lamp on/off.

Unpacking the unit:

1. Remove the exterior and interior packing.
2. Check to be sure you have all the following parts:
 - a. One (1) wine cellar
 - b. One (1) owner's manual
 - c. Two (2) chrome bottle racks

Finding a good spot for your wine cellar:

- Place your wine cellar on a flat surface that is strong enough to support it when fully loaded.
- Allow 15 cm (5") of space on the rear and both sides of the wine cellar to allow proper ventilation.
- This wine cellar is designed to be free standing only, and should not be recessed or built-in (fully recessed).
- Do not place heavy objects on top of the unit.
- Do not locate the unit in a moist place.
- Do not locate the wine cellar in direct sunlight.
- The unit's cooling system operates efficiently with an ambient temperature of 77°F (25°C) or less.*

* Please note that the interior temperature can be set to between 44°F and 66°F on the control panel. Due to technological limitations, the wine cellar has the ability to maintain a temperature that is 66°F cooler compared to the ambient temperature. Therefore, if the ambient temperature is higher than 97°F, the wine cellar might not be able to reach an interior temperature of 44°F to 66°F as per the control panel settings.

ALWAYS REMOVE ALL BOTTLES BEFORE MOVING THE WINE CELLAR

Installation instructions:

1. Gently place/slide the racks in the wine cellar.
2. Slide the Air Inlet Filter into the guides on the back of the wine cellar
3. Unpack the power cord from the back of the wine cellar
4. Plug the power plug into an exclusive standard 110/120V outlet.

Setup Checklist:

- Unit must be placed on a flat surface.
- The room's ambient temperature should be 77°F (25°C) or cooler for unit to function properly*.
- There should be 5Inch (15cm) of clearance on the rear and both sides of the unit.
- Unit should not be placed in direct sunlight.
- Do not place unit next to a major appliance that emits large amounts of heat, such as a dishwasher, microwave, toaster oven, oven, barbecue, etc.
- Do not plug unit into the same outlet as a refrigerator.
- Unit should not be built-in into a wall recess, cabinet, niche or any type of enclosed area

* Please note that the interior temperature can be set to between 44°F and 66°F on the control panel. Due to technological limitations, the wine cellar has the ability to maintain a temperature that is 66°F cooler compared to the ambient temperature. Therefore, if the ambient temperature is higher than 97°F, the wine cellar might not be able to reach an interior temperature of 44°F to 66°F as per the control panel settings.

Setting the temperature control:

At anytime, you can manually adjust the temperature. Simply press the (▼) button on the control panel to lower the temperature and the (▲) button to increase the temperature inside the wine cellar.

Important Note:

- The built-in microprocessor will not allow the user to set the temperature below 44°F (7°C) or above 66°F (18°C). Please note that the protection mechanism only works when used under the recommended ambient temperature conditions described in this manual*.
- The temperature which is displayed on the control panel is always **the actual interior temperature inside the cabinet**, ranging from 44°F (7°C) to 66°F (18°C). After inputting a desired temperature setting, it takes 3 seconds for the display to return to displaying the actual interior temperature.
- The LCD background light will turn on when any of the 3 buttons are pressed, and turn off 1 minute after the last press.

* Please note that the interior temperature can be set to between 44°F and 66°F on the control panel. Due to technological limitations, the wine cellar has the ability to maintain a temperature that is 66°F cooler compared to the ambient temperature. Therefore, if the ambient temperature is higher than 97°F, the wine cellar might not be able to reach an interior temperature of 44°F to 66°F as per the control panel settings.

Recommended temperatures for chilling wine:

	<u>Degrees</u>
Red Wines:	54-64° F (12-18°C)
Port /Sherry	50-57° F (10-14°C)
White /Rose Wines	46-54° F (8-12°C)

Cleaning instructions:

Below is a listing of general cleaning tips that should be noted when cleaning your wine cellar.

When cleaning your cellar, be cautious when using any type of cleaning products, some individuals may have allergic reactions to the chemicals in some of these products. By using solvents to clean your cellar, you may damage its finish, hence it is recommended to use mild detergents, baking soda and water. Never spray or squirt any type of liquid onto your cellar. If a spray is needed, spray the liquid onto a cloth and then use the moistened cloth to rub down the cellar.

- Always unplug the wine cellar before cleaning.
- Wash the inside surface with a warm water and baking soda solution. The solution should be about 2 tablespoons of baking soda to a quart (1 liter) of water.
- Wash the racks with a mild detergent solution.
- The outside of the wine cellar should be cleaned with a mild detergent solution.
- Always dry all the parts with a clean dry cloth before plugging the wine cellar back into the receptacle.

AVOID ABRASIVE PRODUCTS SUCH AS SCOURING PADS AND POWDERS. THEY WILL PERMANATELY DAMAGE THE FINISH OF YOUR WINE CELLAR

In addition to the cleaning tips listed above it is recommended to clean the external fan filter of your wine cellar every 6 months as dirt, dust and hair can build up causing the cooling system to not function as efficiently.

ALWAYS UNPLUG THE UNIT FROM THE WALL PRIOR TO CLEANING THE FAN

There are 2 effective methods to clean the external fan of your wine cellar:

- A vacuum cleaner can be used collect the dirt, dust and hair that has built up
- Alternatively compressed air in a container can be used to clean the fan of your wine cellar. Ensure to follow the directions of the compressed air container to avoid damage or personal injury.

Interior Light Information:

The interior light source of the wine cellar consist of LED lighting which is long lasting and very energy efficient. LED lights will usually last for many years, even sometimes lasting longer than the product they have been installed in. If for any reason the LED lights stop burning and you have determined that they do not longer work. Please contact our customer service department toll-free at 1-800-898-9020 to find the service center nearest you.

Troubleshooting Guide:

You can easily solve many common problems by trying the suggestions below:

SYMPTOM	POSSIBLE CAUSE
Vibrations	<ul style="list-style-type: none">• Check to make sure the wine cellar is on a level surface
The door will not close properly	<ul style="list-style-type: none">• The wine cellar is not on a level surface• The racks are out of position
Fan is always running.	<ul style="list-style-type: none">• This is simply a function of the cooling system. The lower the setting, the more the fan will run. If the room is warmer than 77°F (25°C), it will run more• The unit has been designed to run continuously when operating

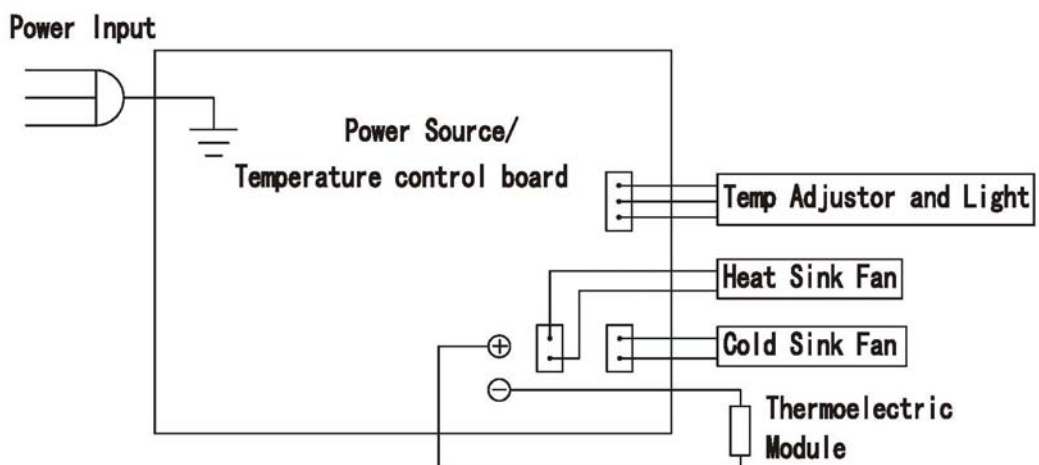
	at the lower temperatures
Unit has no power.	<ul style="list-style-type: none"> • Check the wall outlet for power. Make sure the outlet is not controlled by a wall switch
The inside temperature does not seem correct	<ul style="list-style-type: none"> • Make sure the cooling vents on each side of the cellar are not obstructed. Have at least 5Inch (15cm) of space on each side of unit. • The unit will have difficulty in cooling if the set temperature is 32°F (18°C) below the ambient temperature. Example: if the ambient temperature is 86°F (30°C), the unit will have difficulty cooling to 54°F (12°C). • When using the unit for the first time, it can take up to 24 hrs to reach the desired temperature
The unit does not operate	<ul style="list-style-type: none"> • It may not be plugged into the wall socket • Make sure the wall socket is functional by testing another electrical appliance in the power socket • Make sure the circuit breaker is not tripped or a fuse is blown
There is a puddle of water under / around the wine cellar	<ul style="list-style-type: none"> • This wine cellar features a self-evaporation system. An external drip tray is therefore not required for accumulating condensation. If water forms under / around the wine cellar, the humidity level in the room is too high. Either try to lower the humidity level in the room (using for example a dehumidifier) or place the wine cellar in an another room
The unit will not cool. Power is On.	<p>Make sure there are at least 3-5 bottles in the unit. Allow at least 24 hours for the internal temperature to adjust properly.</p> <p>The interior temperature can be set to between 44°F and 66°F on the control panel. Due to technological limitations, the wine cellar has the ability to maintain a temperature that is 66°F cooler compared to the ambient temperature. Therefore, if the ambient temperature is higher than 97°F, the wine cellar might not be able to reach an interior temperature of 44°F to 66°F as per the control panel settings.</p> <p>To achieve accurate temperature control, the unit should not be used or operated in any of the following locations:</p> <ul style="list-style-type: none"> • in a sunny place • in a room with poor air circulation such as a garage • near another heat producing appliance (dishwasher, oven, refrigerator). • with an outlet shared with a refrigerator as it will drain power from the unit. • built-in a wall recess, niche or cabinet. • in a cabinet or closet. <p>And remember to have at least 5Inch (15 cm) of space on each side of unit.</p>
General Statements	<ul style="list-style-type: none"> • The unit can be manually set using the ▲ and ▼ buttons The minimum setting is 45°F (7°C) and maximum is 64°F (18°C). • The unit does not use any CFC's. There is no compressor inside this unit. • The cooling system is called a Peltier System

TECHNICAL SPECIFICATIONS:

Volume (liter)	23L
Unit Dimension (W×H×D)(mm)	410×275×525
Gift Box Dimension (W×H×D)(mm)	460×325×570
Power Consumption (KW·h/24h)	0.5 (15°C)
Maximum Temperature Variance (between ambient and cellar)	66°F*
Temperature Control Range	44°F - 66°F*
Rated Voltage	AC 110V
Rated Frequency	60HZ
Input power	70W

* Please note that the interior temperature can be set to between 44°F and 66°F on the control panel. Due to technological limitations, the wine cellar has the ability to maintain a temperature that is 66°F cooler compared to the ambient temperature. Therefore, if the ambient temperature is higher than 97°F, the wine cellar might not be able to reach an interior temperature of 44°F to 66°F as per the control panel settings.

Circuit Diagram:





EMERSON
PART NO.: 80-5122
602-01

Printed in China

Free Manuals Download Website

<http://myh66.com>

<http://usermanuals.us>

<http://www.somanuals.com>

<http://www.4manuals.cc>

<http://www.manual-lib.com>

<http://www.404manual.com>

<http://www.luxmanual.com>

<http://aubethermostatmanual.com>

Golf course search by state

<http://golfingnear.com>

Email search by domain

<http://emailbydomain.com>

Auto manuals search

<http://auto.somanuals.com>

TV manuals search

<http://tv.somanuals.com>