



WINE COOLER

OWNER'S MANUAL **FR966**

READ AND SAVE THESE INSTRUCTIONS
UNAUTHORIZED MODIFICATIONS TO THIS DEVICE COULD VOID MANUFACTURER'S WARRANTY.

Visit our web site at "www.emersonradio.com"

IMPORTANT SAFEGUARDS

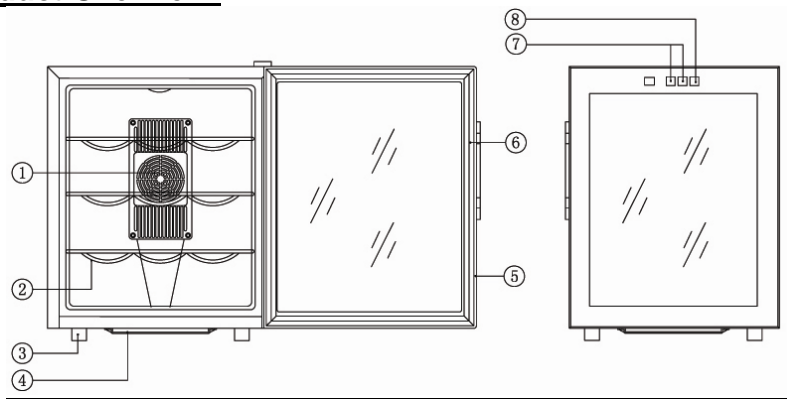
When using an electrical appliance, basic precautions should always be followed, including the following:

READ ALL INSTRUCTIONS BEFORE USING THIS WINE COOLER

- Do not use if supply cord is damaged. If damaged, It must be replaced by the manufacturer or a similarly qualified person in order to avoid hazard.
- This wine cooler is not intended for use by young children or infants, without supervision. Young children must be supervised to ensure they do not play with the appliance.
- Ensure the cooler is unplugged before cleaning.
- To clean the cooler use only mild detergents or glass cleaning products. Never use harsh detergents or solvents.
- It is not recommended to use this wine cooler with an extension cord or surge protectors. Please ensure that the appliance is plugged directly into the electrical outlet.
- When positioning the wine cooler, ensure that there is at least a 5”(15cm) clearance at the sides and a 5”(15cm) clearance at the back of the cooler as this is the main outlet for heat. This will allow for adequate ventilation.
- This cooler is designed to store wine bottles only, any other use will not be covered under warranty.
- Do not place beverages in the wine cooler before they cool to room temperature.
- Close the cooler door immediately after putting in any items so the inside temperature will not rise dramatically.
- Keep appliance away from any heat source or direct sunlight.
- To ensure unit is level, the appliance must be placed on a flat and solid surface. It should not be laid on any soft material.
- Do not place any other appliance on top of the wine cooler.
- The Wine Cooler is an electrical appliance. To avoid injury or death from electrical shock do not operate the Wine Cooler with wet hands, while standing on a wet surface or while standing in water.
- Do not use outdoors or in wet conditions.
- When positioned or if moving the appliance ensure that it is not set horizontally, tilted at more than a 45° angle or turned upside down.
- Never pull the cord to disconnect it from the outlet. Grasp the plug and pull it from the outlet.
- Never lift or carry the Wine Cooler by the cord.
- Keep the cord away from heated surfaces.
- This Wine Cooler is for household use only. Any other use will void the warranty.
- Do not plug into the power socket before set up is completed.
- An empty cooler can be a dangerous attraction to children. If disposing of the cooler remove gaskets, latches, lids or the entire door from your unused appliance, or take other action to ensure the cooler is harmless.

READ AND SAVE THESE INSTRUCTIONS

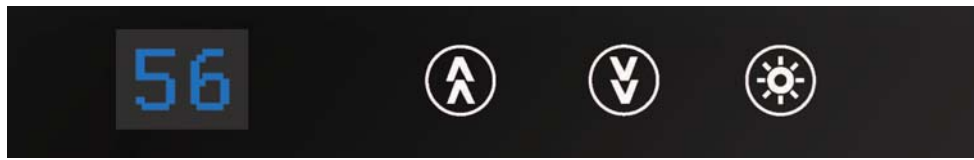
Product Overview:



1. Fan cover 2. Chrome Shelve 3. Feet 4. Water Box
5. Door 6. Magnetic Seal 7. Temperature Adjustment Buttons*
8. Light Switch

* See Control Panel Overview section below for more detailed information

Control Panel Overview:



- ⬆ - Increase temperature in increments of 1°F (Fahrenheit)
⬇ - Decrease temperature in increments of 1°F (Fahrenheit)
☀ - Turn interior lamp on/off.

Unpacking the unit:

1. Remove the exterior and interior packing.
2. Check to be sure you have all the following parts:
 - a. One (1) wine cooler
 - b. One (1) owner's manual
 - c. Three (3) chrome bottle racks

Finding an appropriate location for your wine cooler:

- Place your wine cooler on a flat surface that is strong enough to support it when fully loaded.
- Allow 5 inch (15cm) of space on the rear and both sides of the wine cooler to allow proper ventilation.
- This wine cooler is designed to be free standing only, and should not be recessed or built-in (fully recessed).
- Do not place heavy objects on top of the unit.
- Do not locate the unit in a moist place.
- Do not locate the wine cooler in direct sunlight.
- The unit's cooling system operates efficiently with an ambient temperature of 77°F (25°C) or less.

ALWAYS REMOVE ALL BOTTLES BEFORE MOVING THE WINE COOLER

Installation instructions:

1. Gently place/slide the racks in the wine cooler.
2. Slide the Air Inlet Filter into the guides on the back of the wine cooler.
3. Unpack the power cord from the back of the wine cooler.
4. Plug the power plug into an exclusive standard 110/120V outlet.

Setup Checklist:

- Unit must be placed on a flat surface.
- The room's ambient temperature should be 77°F (25°C) or cooler for unit to function properly.
- There should be 5 inch (15cm) of clearance on the rear and both sides of the unit.
- Unit should not be placed in direct sunlight.
- Do not place unit next to a major appliance that emits large amounts of heat, such as a dishwasher, microwave, toaster oven, oven, barbecue, etc.
- Do not plug unit into the same outlet as a refrigerator.
- Unit should not be built into a wall recess, cabinet, niche or any type of enclosed area.

Setting the temperature control:

At anytime, you can manually adjust the temperature. Simply press the (▼) button on the control panel to lower the temperature and the (▲) button to increase the temperature inside the wine cooler.

Important Note:

- The built-in microprocessor will not allow the user to set the temperature below 54°F (12°C) or above 66°F (19°C). Please note that the protection mechanism only works when used under the recommended ambient temperature conditions described in this manual*.
- The temperature which is displayed on the control panel is always **the actual interior temperature inside the cabinet**, ranging from 54°F (12°C) to 66°F (19°C). After inputting a desired temperature setting, it takes 3 seconds for the display to return to displaying the actual interior temperature.
- The LED background light will turn on when any of the 3 buttons are pressed.

Recommended temperatures for chilling wine:

Red Wine:	54-64°F (12-18°C)
Port/Sherry:	50-57°F (10-14°C)
White/Rose Wines:	46-54°F (8-12°C)

Cleaning instructions:

Below is a list of general cleaning tips that should be noted when cleaning your wine cooler.

When cleaning your cooler, be cautious when using any type of cleaning products, some individuals may have allergic reactions to the chemicals in some of these products. By using solvents to clean your cooler, you may damage its finish, hence it is recommended to use mild detergents, baking soda and water. Never spray or squirt any type of liquid onto your cooler. If a spray is needed, spray the liquid onto a cloth and then use the moistened cloth to rub down the cooler.

- Always unplug the wine cooler before cleaning.
- Wash the inside surface with a warm water and baking soda solution. The solution should be about 2 tablespoons of baking soda to a quart (1 liter) of water.
- Wash the racks with a mild detergent solution.
- The outside of the wine cooler should be cleaned with a mild detergent solution.
- Always dry all the parts with a clean dry cloth before plugging the wine cooler back into the receptacle.

AVOID ABRASIVE PRODUCTS SUCH AS SCOURING PADS AND POWDERS. THEY WILL PERMANATELY DAMAGE THE FINISH OF YOUR WINE COOLER

In addition to the cleaning tips listed above it is recommended to clean the external fan filter of your wine cooler every 6 months as dirt, dust and hair can build up causing the cooling system to not function as efficiently.

ALWAYS UNPLUG THE UNIT FROM THE WALL PRIOR TO CLEANING THE FAN FILTER

There are 2 effective methods to clean the external fan filter of your wine cooler:

- A vacuum cleaner can be used collect the dirt, dust and hair that has built-up.
- Alternatively compressed air in a container can be used to clean the fan filter of your wine cooler. Be sure to follow the directions of the compressed air container to avoid damage or personal injury.

Interior Light Information:

The interior light source of the wine cooler consists of LED lighting which is long lasting and very energy efficient. LED lights will usually last for many years, even sometimes lasting longer than the product they have been installed in. If for any reason the LED lights stop working and you have determined that they no longer functions, please contact our customer service department toll-free at 1-800-898-9020 to find a local service center.

Troubleshooting Guide:

You can easily solve many common problems by trying the suggestions below:

SYMPTOM	POSSIBLE CAUSE
Vibrations	<ul style="list-style-type: none"> • Check to make sure the wine cooler is on a level surface.
The door will not close properly.	<ul style="list-style-type: none"> • The wine cooler is not on a level surface. • The racks are out of position.
Fan is always running.	<ul style="list-style-type: none"> • This is simply a function of the cooling system. The lower the setting, the more the fan will run. If the room is warmer than 77°F (25°C), it will run more. • The unit has been designed to run continuously when operating at the lower temperatures.
Unit has no power.	<ul style="list-style-type: none"> • Check the wall outlet for power. Make sure the outlet is not controlled by a wall switch.
The inside temperature does not seem correct.	<ul style="list-style-type: none"> • Make sure the cooling vents on each side of the cooler are not obstructed. Have at least 5 inches (15cm) of space on each side of unit. • The unit will have difficulty in cooling if the set temperature is 32°F (0°C) below the ambient temperature. Example: if the ambient temperature is 86°F (30°C), the unit will have difficulty cooling to 54°F (12°C). • When using the unit for the first time, it can take up to 24 hrs to reach the desired temperature.
The unit does not operate.	<ul style="list-style-type: none"> • It may not be plugged into the wall socket. • Make sure the wall socket is functional by testing another electrical appliance in the power socket. • Make sure the circuit breaker is not tripped or a fuse is blown.
The unit will not cool. Power is On.	<p>Make sure there are at least 3-5 bottles in the unit. Allow at least 24 hours for the internal temperature to adjust properly.</p> <p>*Because of technological limitation , the interior temperature can be set between 54°F (12°C) and 66°F (19°C) on the control panel only at the room temperature of 77°F (25°C).</p> <p>To achieve accurate temperature control, the unit should not be used or operated in any of the following locations:</p> <ul style="list-style-type: none"> • in a sunny place. • in a room with poor air circulation such as a garage. • near another heat producing appliance (dishwasher, oven, refrigerator). • with an outlet shared with a refrigerator as it will drain power from the unit. • built-in a wall recess, niche or cabinet. • in a cabinet or closet. <p>And remember to have at least 5 inches (15 cm) of space on each side of unit.</p>

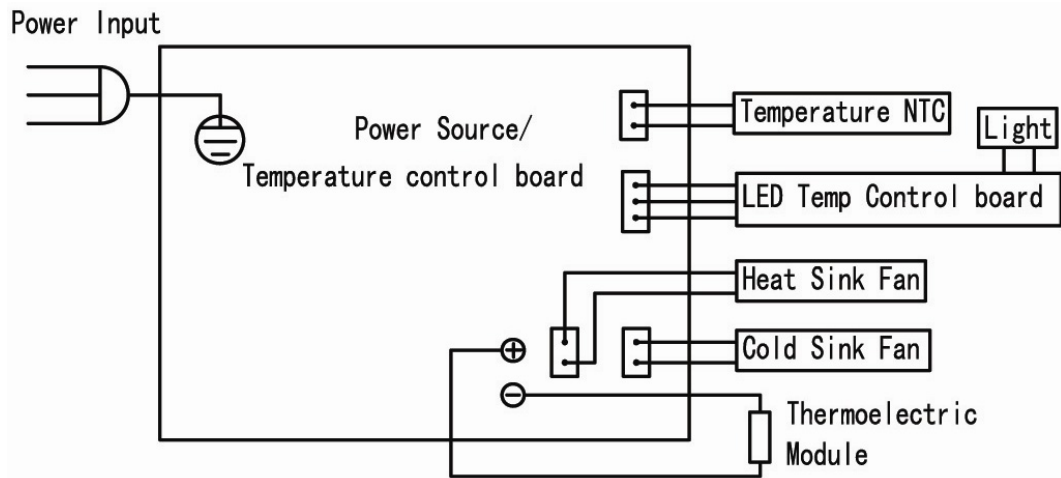
General Statements	<ul style="list-style-type: none"> • The unit can be manually set using the Ⓜ and Ⓞ buttons The minimum setting is 54°F (12°C) and maximum is 66°F (19°C). • The unit does not use any CFC's. There is no compressor inside this unit. • The cooling system is called a Peltier System.
--------------------	--

TECHNICAL SPECIFICATIONS:

Volume (liter)	33L (1.2 Cu. Ft.)
Unit Dimension (WxHxD) inch(mm)	14x18.9x19.8 (355x480x503)
Gift Box Dimension (WxHxD) inch(mm)	21.9x16.1x19.9 (555x410x505)
Power Consumption (KW·h/24h)	0.8 (59°F)
Maximum Temperature Variance (between ambient and cooler)	59°F *
Temperature Control Range	54°F - 66°F*
Rated Voltage	AC 120V
Rated Frequency	60Hz
Input power	70W

* Because of technological limitation , the interior temperature can be set between 54°F (12°C) and 66°F (19°C) on the control panel only at the room temperature of 77°F (25°C)

Circuit Diagram:



AUTHORIZED SERVICE

TO FIND THE LOCATION AND
PHONE NUMBER OF YOUR
NEAREST AUTHORIZED
SERVICE CENTER...

CALL TOLL FREE: 1-800-695-0098

FOR ADDITIONAL SET-UP OR OPERATING ASSISTANCE
PLEASE CALL:
1-800-898-9020

FOR CUSTOMER SERVICE, PLEASE WRITE TO:
Emerson Radio Corp.,
Consumer Affairs Dept.,
5101 Statesman Drive,
Irving, TX 75063.

LIMITED WARRANTY

What does this warranty cover? Any manufacturing defects in original material, including original parts and workmanship, under normal use and conditions.

For how long? One year parts and labor from date of original purchase.

What will we do? If you need service under this warranty, and you provide us with the dated proof of purchase, we will provide repair service at no charge for labor and parts at an authorized Depot Repair Facility, or replace the product in our discretion.

How do you make your warranty claim? If it becomes necessary to repair your unit, you can obtain the name and mailing location of a Depot Repair Facility by dialing 1-800-695-0098. You should pack your unit in a well-padded heavy corrugated box, enclose your check or money order payable to the Depot Repair Facility in the amount of \$15.00 to cover the return shipping and handling costs, and enclose a copy of your proof of purchase (warranty service will not be provided without a dated proof of purchase). Finally, ship the unit prepaid via UPS or parcel post (insured) to:

Emerson Radio Corp.,
5101 Statesman Drive,
Irving, TX 75063

What does your warranty not cover? This warranty does not cover damage from negligence, misuse, abuse, accident, failure to follow operating instructions, commercial use, rental, repairs by an unauthorized facility, or products purchased, used, serviced or damaged outside of the United States.

What other limitations apply to your warranty?

THIS WARRANTY IS NON-TRANSFERABLE AND APPLIES ONLY TO THE ORIGINAL PURCHASER AND DOES NOT EXTEND TO SUBSEQUENT OWNERS OF THE PRODUCT. THIS WARRANTY IS VALID ONLY IN THE UNITED STATES OF AMERICA. ANY APPLICABLE IMPLIED WARRANTIES, INCLUDING THE WARRANTY OF MERCHANTABILITY, ARE LIMITED IN DURATION TO A PERIOD OF THE EXPRESSED WARRANTY AS PROVIDED ABOVE BEGINNING WITH THE DATE OF ORIGINAL PURCHASE AT RETAIL AND NO WARRANTIES, WHETHER EXPRESSED OR IMPLIED, SHALL APPLY TO THE PRODUCT THEREAFTER. WE MAKE NO WARRANTY AS TO THE FITNESS OF THE PRODUCT FOR ANY PARTICULAR PURPOSE OR USE.

THE EXTENT OF OUR LIABILITY UNDER THIS LIMITED WARRANTY IS THE REPAIR OR REPLACEMENT PROVIDED ABOVE AND IN NO EVENT WILL OUR LIABILITY EXCEED THE PURCHASE PRICE PAID BY THE PURCHASER OF THE PRODUCT. UNDER NO CIRCUMSTANCES WILL WE BE LIABLE FOR ANY LOSS, DIRECT, INDIRECT, INCIDENTAL, SPECIAL, OR CONSEQUENTIAL DAMAGE ARISING OUT OF OR IN CONNECTION WITH THE USE OF THIS PRODUCT.

How does state law apply to your warranty?

THIS WARRANTY GIVES YOU SPECIFIC LEGAL RIGHTS, BUT YOU MAY ALSO HAVE OTHER RIGHTS WHICH VARY FROM STATE TO STATE. SOME STATES DO NOT ALLOW LIMITATIONS ON IMPLIED WARRANTIES OR EXCLUSION OR LIMITATION OF INCIDENTAL OR CONSEQUENTIAL DAMAGE, SO THESE RESTRICTIONS MAY NOT APPLY TO YOU.

The serial number can be found on the back cabinet .We suggest that you record the serial number of your unit in the space below for future reference

Model Number :

Serial Number : _____

FR966



EMERSON
PART NO.: FR966-06272008-01

Printed in China

Free Manuals Download Website

<http://myh66.com>

<http://usermanuals.us>

<http://www.somanuals.com>

<http://www.4manuals.cc>

<http://www.manual-lib.com>

<http://www.404manual.com>

<http://www.luxmanual.com>

<http://aubethermostatmanual.com>

Golf course search by state

<http://golfingnear.com>

Email search by domain

<http://emailbydomain.com>

Auto manuals search

<http://auto.somanuals.com>

TV manuals search

<http://tv.somanuals.com>