



# SmartSet® Clock Radio

## With Auto-Time Setting System,

## Dual Clock Alarm,

## PLL AM/FM Radio

## 4-Level Dimmer

(U.S. Patent No. 6,567,344)

# OWNER'S MANUAL

# CKS1900

Visit our website at [www.emersonradio.com](http://www.emersonradio.com)

## WARNING

**AVERTISSEMENT: AFIN DE PRÉVENIR TOUT RISQUE D'INCENDIE OU D'ÉLECTROCUTION N'EXPOSEZ PAS CET APPAREIL À LA PLUIE NI À L'HUMIDITÉ.**

**DO NOT USE THIS PLUG WITH AN EXTENSION CORD, RECEPTACLE OR OTHER OUTLET UNLESS THE BLADES CAN BE FULLY INSERTED TO PREVENT BLADE EXPOSURE. TO PREVENT FIRE OR SHOCK HAZARD, DO NOT EXPOSE THIS APPLIANCE TO RAIN OR MOISTURE.**

The lightning flash with arrow-head symbol, within an equilateral triangle is intended to alert the user to the presence of 'uninsulated' 'dangerous voltage' within the product's enclosure that may be of sufficient magnitude to constitute a risk of electric shock to persons.

**CAUTION**  
RISQUE D'ÉLECTRICITÉ / SHOCK DO NOT OPEN

**ATTENTION**  
RISQUE D'ÉLECTROCUTION / DO NOT REMOVE COVER (OR BACK). NO USER SERVICEABLE PARTS INSIDE. REFER SERVICING TO QUALIFIED SERVICE PERSONNEL.

**AVIS: RISQUE DE CHOC ÉLECTRIQUE - NE PAS OUVRIR**

The exclamation point within an equilateral triangle is intended to alert the user to the presence of important operating and maintenance (servicing) instructions in the literature accompanying the appliance.

**This is CLASS II apparatus with double insulation, and no protective earth provided.** The Caution Marking and Rating plate are located at the bottom enclosure of the apparatus.

## IMPORTANT SAFETY INSTRUCTIONS

- Read these instructions. Keep these instructions. Follow all instructions. Heed all warnings.
- Do not use this apparatus near water.
- Clean only with dry cloth.
- Do not block any ventilation openings. Install in accordance with the manufacturer's instructions.
- Do not install near any heat sources such as radiators, heat registers, stoves, or other apparatus (including amplifiers) that produce heat.
- Do not defeat the safety purpose of the polarized or grounding-type plug. A polarized plug has two blades with one wider than the other. A grounding type plug has two blades and a third grounding prong. The wide blade or the third prong is provided for your safety. If the provided plug does not fit into your outlet, consult an electrician for replacement of the obsolete outlet.
- Protect the power cord from being walked on or pinched particularly at plugs, convenience receptacles, and the point where they exit from the apparatus.
- Only use attachments / accessories specified by the manufacturer.
- Unplug this apparatus during lightning storms or when unused for long periods of time.
- Refer all servicing to qualified service personnel. Servicing is required when the apparatus has been damaged in any way, such as power-supply cord or plug is damaged, liquid has been spilled or objects have fallen into the apparatus, the apparatus has been exposed to rain or moisture, does not operate normally, or has been dropped.
- Use only with the cart, stand, tripod, bracket, or table specified by the manufacturer, or sold with the apparatus. When a cart is used, use caution when moving the cart/apparatus combination to avoid injury from tip-over.
- The apparatus shall not be exposed to dripping or splashing and that no objects filled with liquids, such as vases, shall be placed on apparatus.
- Mains plug is used as disconnect device and it should remain readily operable during intended use. In order to disconnect the apparatus from the mains completely, the mains plug should be disconnected from the mains socket outlet completely.
- Battery shall not be exposed to excessive heat such as sunshine, fire or the like.  
**CAUTION:** Danger of explosion if battery is incorrectly replaced. Replace only with the same or equivalent type.



**PRÉCAUTION:** Danger d'explosion si les piles sont remplacées de façon incorrect. Remplacer les piles seulement par le même type de pile ou l'équivalent.

\* Les marquages sont inscrits en bas de l'appareil. Les précautions d'emploi sont inscrites en bas de l'appareil.  
La prise du secteur ne doit pas être obstruée ou doit être facilement accessible pendant son utilisation. Pour être complètement déconnecté de l'alimentation d'entrée, la prise doit être débranchée du secteur. Les piles ne doivent pas être exposées à de forte chaleur, tel qu'à la lumière du soleil, au feu ou autres choses de semblable.  
La prise du secteur est utilisé pour déconnecter le système.  
La prise du secteur ne doit pas être obstruée ou doit être facilement accessible pendant son utilisation. Pour être complètement déconnecté de l'alimentation d'entrée, la prise doit être débranchée du secteur. L'adaptateur AC/AC de l'appareil est utilisé pour déconnecter le système.  
L'adaptateur AC/AC de l'appareil ne doit pas être obstrué ou doit être facilement accessible pendant son utilisation.  
Pour être complètement déconnecté de l'alimentation d'entrée, l'adaptateur AC/AC de l'appareil doit être déconnecté du secteur.  
• minimum distances 10 cm around the apparatus for sufficient ventilations.  
• 10cm de distance minimale autour de l'appareil pour une ventilation suffisante.  
• the ventilation should not be impeded by covering the ventilation openings with items such as newspaper, table-cloths, curtains etc.  
• Ne pas recouvrir les entrées d'aérations avec des objets tel qu'un journal, une nappe, un rideau, etc...  
• no naked flame sources such as lighted candles should be placed on the apparatus.  
• Aucune source de flamme nue, tel qu'une bougie, ne doit être placée sur l'appareil.  
• attention should be drawn to the environmental aspects of battery disposal.  
• Les piles usages doivent être jetées en respectant l'environnement.  
• the use of apparatus in tropical and/or moderate climates.  
• L'utilisation de l'appareil dans un climat tropical et/ou modéré

## WARNING DO NOT INGEST BATTERY, CHEMICAL BURN HAZARD

**WARNING**  
Do not ingest the battery, Chemical Burn Hazard  
This product contains a coin/button cell battery.  
If the coin/button is swallowed, it can cause severe internal burns in just 2 hours and can lead to death.  
Keep new and used batteries away from children.  
If the battery compartment does not close securely, stop using the product and keep it away from children.  
If you think batteries might have been swallowed or placed inside any part of the body, seek immediate medical attention.

**AVERTISSEMENT**  
Ne pas ingérer la pile, Danger de brûlure chimique  
Ce produit contient une pile bouton. Si la pile bouton est avalée, elle peut provoquer de graves brûlures internes en 2 heures seulement et peut entraîner la mort.  
Conserver les piles neuves et usées hors de portée des enfants.  
Si le compartiment pile ne se ferme pas correctement, cesser d'utiliser le produit et tenir hors de portée des enfants.  
En cas de doute concernant le fait que les piles pourraient avoir été avalées ou introduites dans une partie quelconque du corps, consulter immédiatement un médecin.

Thank you for purchasing this Emerson SmartSet® Dual Alarm Clock Radio. This clock radio uses Emerson's patented SmartSet® Automatic Time Setting System. The first time you connect this clock radio to your AC outlet, and after every power interruption, within seconds the clock will automatically set itself to the correct Year, Month, Date, Day, and Time. In addition all changes from Standard Time to Daylight Saving Time, and back to Standard Time, are made automatically.  
There are dual alarms that can be set and used independently, and both of the alarms can be programmed for everyday operation, weekdays only, or weekends only.  
There is a long life lithium battery installed in this clock radio when you buy it. This battery can maintain the time and alarm settings for 3 to 5 years, or even longer.  
We have taken every precaution to make sure this radio was in perfect working order when it left our factory. If you encounter any problems with the set up or operation of this item, please call the Emerson Consumer Products Corp., Customer Service Hotline, toll free, at 1-800-898-9020.

## IMPORTANT NOTES

- Avoid installing this unit in places exposed to direct sunlight or close to heat radiating appliances such as electric heaters, on top of other stereo equipment that radiates too much heat, places lacking ventilation or dusty areas, places subject to constant vibration and/or humid or moist areas.
- Operate controls and switches as described in the manual.
- Before turning on the power, make certain that the AC adapter is properly installed.
- When moving the set, be sure to first disconnect the AC adapter.

**FCC Information**  
This equipment has been tested and found to comply with the limits for a Class B digital device, pursuant to Part 15 of the FCC Rules. These limits are designed to provide reasonable protection against harmful interference in a residential installation. This equipment generates, uses, and can radiate radio frequency energy and, if not installed and used in accordance with the instructions, may cause harmful interference to radio communications. However, there is no guarantee that interference will not occur in a particular installation. If this equipment does cause harmful interference to radio or television reception, which can be determined by turning the equipment off and on, the user is encouraged to try to correct the interference by one or more of the following measures:  
• Reorient or relocate the receiving antenna.  
• Increase the separation between the equipment and receiver.  
• Connect the equipment into an outlet on a circuit different from that to which the receiver is connected.  
• Consult the dealer or an experienced radio/TV technician for help. This device complies with Part 15 of the FCC Rules. Operation is subject to the following two conditions:  
(1) This device may not cause harmful interference, and  
(2) This device must accept any interference received, including interference that may cause undesired operation.

Changes or modifications not expressly approved by the party responsible for compliance could void the user's authority to operate the equipment.

## PREPARATION FOR USE

- Unpacking And Set Up**
- Remove the radio from the carton and remove all packing material from the radio. **We suggest that you save the packing material, if possible, in the unlikely event that your radio ever needs to be returned for service. The original carton and packing material is the only safe way to pack your radio to protect it from damage in transit.**
  - Remove any descriptive labels or stickers on the front or top of the cabinet. Do

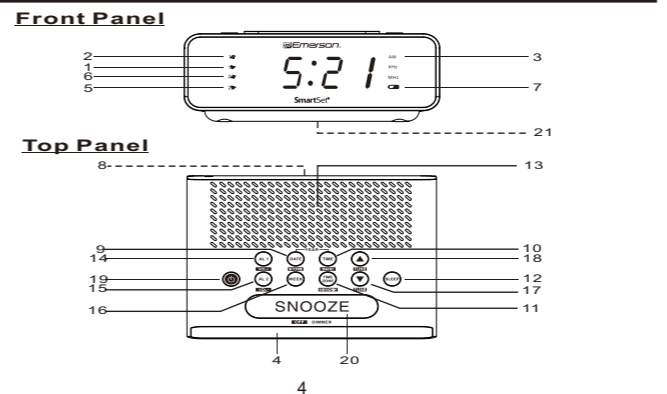
- not remove any labels or stickers from the back or bottom of the cabinet.
- Note the serial number on the bottom of your radio and write this number in the space provided on the Warranty page of this manual.
- Place your radio on a level surface such as a table, desk or shelf, convenient to an AC outlet, out of direct sunlight, and away from sources of excess heat, dirt, dust, moisture, humidity, or vibration.
- Unwind the Line cord connecting the AC adapter and extend it to its full length. The FM antenna is built in to this cord. It must be fully extended to provide the best FM reception.

**Protect Your Furniture**  
This model is equipped with non-skid rubber 'feet' to prevent the product from moving when you operate the controls. These 'feet' are made from non-migrating rubber material specially formulated to avoid leaving any marks or stains on your furniture. However certain types of oil based furniture polishes, wood preservatives, or cleaning sprays may cause the rubber 'feet' to soften, and leave marks or a rubber residue on the furniture. To prevent any damage to your furniture we strongly recommend that you purchase small self-adhesive felt pads, available at hardware stores and home improvement centers everywhere, and apply these pads to the bottom of the rubber 'feet' before you place the product on fine wooden furniture.

**Power Source**  
This radio is designed to operate on normal 120V 60Hz AC power only. Do not attempt to operate the radio on any other power source. You could cause damage to the radio that is not covered by your warranty.  
This radio should be connected to an AC outlet that is always 'live'. Do not connect it to an outlet that is controlled by a wall switch. When the power to the radio is interrupted, the built in lithium battery takes over to maintain the time and alarm settings. To maximize the life of the lithium battery keep the radio connected to a 'live' AC outlet at all times.



## LOCATION OF CONTROLS AND INDICATORS



- 1 (Alarm 1 'Buzzer') Indicator.
  - 1 (Alarm 1 'Radio') Indicator.
  - AM Indicator.
  - Time/Date Display.
  - 2 (Alarm 2 'Buzzer') Indicator.
  - 2 (Alarm 2 'Radio') Indicator.
  - LOW BATT. Indicator.
  - AC adapter (Back Cabinet).
  - MONTH/DATE Setting / STORE Station Button.
  - TIME Setting / BAND Select Button.
  - TIME ZONE / MEMORY Button.
  - SLEEP Button (Sleep To Music Timer).
  - Speaker (Top Cabinet).
  - ALARM 1 Setting / VOLUME + Button.
  - ALARM 2 Setting / VOLUME - Button.
  - WEEK/ALARM MODE Button (Weekly/Weekends / Everyday Alarm).
  - SET - / TUNE - Button.
  - SET + / TUNE + Button.
  - RADIO ON/OFF Button.
  - SNOOZE / SLEEP OFF / DIMMER Button.
  - Back Up Battery Compartment (Bottom Cabinet).
- Note:** For buttons displayed with additional **INVERSED** font or icons, they have multiple function at different operation mode. Generally, the functions displayed in **INVERSED** font are for operation when Radio is ON.

## OPERATING INSTRUCTIONS

### Setting The Time, The First Time

**IMPORTANT:** The first time you connect your new SmartSet® clock radio to the AC outlet the internal computer will automatically set the time correctly for the Eastern Time Zone, which is the initial default setting. The display will scan for a few seconds and then show the correct Day and Time in the Eastern zone. If you live in the Eastern Time zone, there's nothing else to do. Your clock is set correctly and running.  
If you do not live in the Eastern Time zone you must change the default zone display to your own zone. You only do this one time and the Smart Set® will remember the new default zone setting and will always return to that setting after a power interruption.

- There are 7 time zones programmed into your Smart Set® clock radio as follows :
- |                        |   |
|------------------------|---|
| ZONE 1 — Atlantic Time | ZONE 2 — Eastern Time (Default Setting) |
| ZONE 3 — Central Time  | ZONE 4 — Mountain Time                  |
| ZONE 5 — Pacific Time  | ZONE 6 — Yukon Time                     |
| ZONE 7 — Hawaiian Time |   |

To change the default time zone display, depress the TIME ZONE button. The number "2" will appear on the display indicating that the default zone is ZONE 2, Eastern Time.



**Hold** the TIME ZONE button and then **press** either the SET + (up) or - (down) buttons until your own time zone appears on the display, then release the buttons. The clock display will change to the correct time in the time zone you selected. The clock will always return to the correct time in the zone you selected after every power interruption.  
If you move to a different time zone, simply change the default zone display to the new zone and the SmartSet® will remember that setting for you.

### Date Display

To see the correct date at any time, depress the MONTH/DATE button. The display Changes from time to Month and Date (MM/DD). For example, May 21st will appear as " 5.21". When you release the MONTH/DATE button the display returns to the correct time.



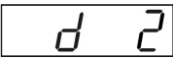
### Year Display

To see the correct year, depress the MONTH/DATE and TIME buttons together. The display changes from time to year. When you release the MONTH/DATE and TIME buttons the display returns to the correct time.



### 'Day of Week' Display

If the radio or buzzer is 'Off', to view the correct 'Day of Week', depress the WEEK button. The display will change from Time to "Day of Week". When you release the WEEK button the display returns to the correct Time.  
If the radio or buzzer is 'On', to view the correct 'Day of Week', press the RADIO ON/OFF Button first to stop the radio or buzzer, then depress the WEEK button, display will change from Time to 'Day of Week'. When you release the WEEK button the display returns to the correct Time.  
**Note:** From d1, d2 to d7 stand for from Monday, Tuesday to Sunday separately.



### Daylight Saving and Leap Year Adjustments

All Daylight Saving and Leap Year adjustments are made automatically by the SmartSet® internal computer as follows:  
• **Start of Daylight Saving Time:**  
At "2:00 AM" on the 2nd Sunday in March, the clock will automatically advance to "3:00 AM".  
• **End of Daylight Saving Time:**  
At "3:00 AM" on the 1st Sunday in November, the clock will automatically reset to "2:00 AM".  
• **Leap Year:**  
At "12:00 Midnight" on February 28th, the calendar display will change to "2.29".

### Manual Time Adjustments

Some people like to set their clocks 5 to 10 minutes fast to make sure that they will always be on time. Even though the SmartSet® sets the time by itself, you still have the option of adjusting the time manually if you wish.  
To manually adjust the time display **depress and hold** the TIME button, and **press** either the SET + or - buttons to adjust the time display ahead or back as desired. Each press of the SET + or - buttons will change the display by one minute. If you hold the SET + or - buttons the display will continue to change. The display will change slowly at first, one minute at a time. But if you continue holding the SET + or - buttons the display will change rapidly.  
**NOTE:** If you manually adjust the time, your new setting is entered into the SmartSet® memory. If the power is interrupted, the display will return to your new setting, not the original setting, when the power is restored.

### Adjusting The Wake Up Times

Your SmartSet® clock radio has two separate alarms that can be set and used independently. You may use the alarms to wake two people at different times, or you may use one alarm for weekdays and the other for weekend wake up times. The procedure for adjusting the wake up time is the same for both Alarm 1 and Alarm 2.

- Depress and hold either the ALARM 1 or ALARM 2 setting button. The display will change from the correct time to the Alarm 1 or Alarm 2 wake up time.
- While holding the ALARM 1 or ALARM 2 setting button, depress either the SET + or - button to move the display ahead or back to your desired wake up time.
- When the desired wake up time appears on the display, release the SET + or - buttons.  
**NOTE:** Be sure that you have set the wake up time correctly by observing the AM indicator. If the AM indicator is 'On' the wake up time is "AM". If the AM indicator is 'Off', the wake up time is "PM".
- When the desired wake up time (AM or PM) appears on the display, release the ALARM 1 or ALARM 2 setting buttons.

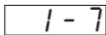


### Selecting The Alarm Week Mode

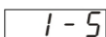
Your SmartSet® clock radio allows you to select from among three different alarm operation modes for either alarm. The alarm modes are:  
• **Everyday** — the alarm will turn on all 7 days.  
• **Weekdays only** — the alarm will only turn on Monday through Friday;  
• **Weekends only** — the alarm will only turn on Saturday and Sunday.  
To check the Alarm Mode setting for Alarm1, depress the ALARM 1 setting button. The display will show the Alarm 1 wake up time and the DAY OF WEEK indicators will show you the alarm mode which is selected.



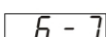
- it shows "1-7", the Everyday mode is selected.



- If it shows "1-5", the Weekdays only mode is selected.



- If it shows "6-7", the Weekends only mode is selected.



To change the Alarm Mode setting for Alarm 1, hold the **ALARM 1** setting button and press the **ALARM MODE** button until the DAY OF WEEK indicators show the desired mode setting, Weekdays only, Weekends only, or Everyday operation. Release the **ALARM MODE** and **ALARM 1** setting buttons and the display will return to the correct time.

Follow the same procedure to select the desired Alarm Mode for Alarm 2 if necessary.

#### Checking The Wake Up Times And Alarm Mode

Whenever you want to check the wake up time or the alarm mode settings, simply press either the **ALARM 1** or **ALARM 2** setting buttons. The display will change from correct time to wake up time and the **DAY OF WEEK** indicators will show you the alarm mode which is currently selected.

Release the **ALARM 1** or **ALARM 2** setting buttons to return to correct time.

#### Listening To The Radio

- 1.) Press the **RADIO ON/OFF** button to turn the radio 'On'. The frequency of the tuning frequency will show for a few seconds on the display.
- 2.) Set the **BAND** by pressing **BAND** button to **AM** or **FM** as the desired, it toggles each time you press the **BAND** button.
- 3.) Set the **VOLUME** by pressing **VOLUME +** or **VOLUME -** to a level that is neither too high nor too inaudible.
- 4.) Select your desired station with the **TUNING** control.
  - a.) Press **TUNE +** or **TUNE -** slightly, the receiving frequency will increment or decrement by one step.
  - b.) Press and hold **TUNE +** or **TUNE -** for one second then release, Auto Station Seeking will be engaged, the receiving frequency will increment or decrement automatically until a station with acceptable reception is found.
- 5.) Adjust the **VOLUME** control to the desired setting.
- 6.) When you are finished listening, press the **RADIO ON/OFF** button to turn the radio 'Off'.

#### Storing and Recalling Radio Station Memory

When you have a few favorite radio stations to listen to, you may like to save them, and pick one out of them in a few seconds without needing to search it each time. Our digital tuning technology allows you to do this easily by following the following steps:

#### Storing to the Memory

- 1.) Make sure the radio is ON and the AM/FM band is selected.
- 2.) Tune to the desired station by the TUNING control as described.
- 3.) Press **STORE**, "P XX" blinks, indicating the memory location to store the currently listening station.
- 4.) While "P XX" is blinking, press **TUNE +** or **TUNE -** can change the memory location from 1 through 10. For e.g., "P 03" means the current listening station is about to be stored into the 3rd location of the memory.
- 5.) After deciding the memory location, press **STORE** again, the currently listening station is stored.
- 6.) The display will turn to the frequency of the stations afterwards, and after a few seconds, the correct time shows.

#### Recalling Station from the Memory

- 1.) Make sure the radio is ON and the AM/FM band is selected.
- 2.) Press **MEMORY**, "P XX" shows on the display, and the station according to the memory location is tuned.
- 3.) While "P XX" is showing on the display, press **TUNE +** or **TUNE -** can change the memory location from 1 through 10, and the station stored in the location is tuned once the location is changed to.
- 4.) The display will turn to the frequency of the stations afterwards, and after a few seconds, the correct time shows.

#### Antenna Information

**AM** – The AM bar antenna is inside the cabinet. If AM reception is weak, change the position of cabinet until the internal antenna picks up the strongest signal.  
**FM** – The FM antenna is built in to the Line cord connecting the AC adapter. If FM reception is weak try Varying the position and direction of the Line cord until you find the strongest signal.

#### Wake To BUZZER

**NOTE:** Alarm 1 and Alarm 2 have different buzzer sounds.

- Alarm 1 is a "Single beep" sound.
- Alarm 2 is a "Double beep" sound.

You will be able to tell which alarm is going off by the sound that it makes.

- 1.) Reconfirm the wake up time and alarm mode settings for the alarm you are using, Alarm 1, Alarm 2, or both alarms.
- 2.) Press **ALARM 1** or **ALARM 2** button slightly, and repeat doing so if necessary, until **ALARM 1 "BUZZER"** or **ALARM 2 "BUZZER"** indicator is lit on the display.
- 3.) At the selected wake up time the buzzer will sound. It will continue for one hour and then shut off automatically.
- 4.) To stop the buzzer sooner, press the **RADIO ON/OFF** button. The buzzer will stop but the alarm remains set and will turn the buzzer on again at the same time on the following day (depending on the Alarm Mode setting).
- 5.) If you do not want the alarm to turn the radio on the following day, press the appropriate **ALARM** button until the ALARM indicator on the display is OFF.

#### Radio And Buzzer Operation

You may also set one alarm for wake to **RADIO** and the other for wake to **BUZZER**. Just press the **ALARM 1** and **ALARM 2** buttons to the desired status as shown on the ALARM indicators.

#### Snooze/Repeat Alarm

After the alarm turns 'On' in the morning you can **SNOOZE/SLEEP OFF** button on the top cabinet for a few extra minutes sleep. The corresponding ALARM indicator will flash. The alarm will stop for approximately **9 minutes** and then comes 'On' again. The Snooze operation may be repeated several times if desired but after one hour the alarm will not come on again.

#### Sleep To Music Timer

You can program the sleep timer to play the radio for up to 90 minutes and then shut 'Off' automatically.

- 1.) Press the **SLEEP** button. The display will briefly show "10" and the radio will begin to play. After 10 minutes countdown the radio will shut off automatically. Each time you press the **SLEEP** button the sleep timer will start at 10 minutes. This is the sleep timer default setting.
- 2.) To increase or decrease the amount of time that the radio will play before shutting off, hold the **SLEEP** button and press either the **SET +** or **-** button to change the display to the desired sleep time, up to a maximum of "90" minutes or a minimum of "02" minutes.
 

**NOTE:** When you change the sleep timer from the 10 minute default setting to a different setting, the new setting becomes the default setting. Whenever you activate the sleep timer it will begin with your new default setting and count down to zero from that point.
- 3.) To cancel the sleep timer before it counts down to '00' and shut the radio 'Off' immediately, press the **SNOOZE/SLEEP OFF** Bar.

**IMPORTANT:** Remember that the station and volume settings you choose for the Sleep To Music operation are the same settings you will hear if you set the alarm for Wake To Radio the following morning.

#### 4-Level DIMMER Control

Press the **SNOOZE / SLEEP OFF / DIMMER** Button while in Standby mode and select any of the four levels.

#### Changing The Lithium Battery

Like all batteries, eventually the built in lithium battery will need to be replaced. A number of factors, such as, the length of time between the date the radio was manufactured and the date you plugged it in for the first time determine the amount of time before replacement. During this initial storage period, the lithium battery is

supplying power to the SmartSet® computer memory. Once you plug the radio in, your household outlet supplies the power, and the battery is not being used. A fresh lithium battery can supply power to the SmartSet® computer for at least 3 years even if it is never connected to an AC power supply. If your clock radio was connected to your AC supply within a few months after it was manufactured, and you experience only the normal, nuisance type, short duration power interruptions, your battery may last for up to 5 years or even longer.

When the battery power drops below a certain level, the **LOW BATT.** indicator will "Flash". When you see this indicator, you should change the battery as soon as it is convenient for you to do so. To change the battery proceed as follows:

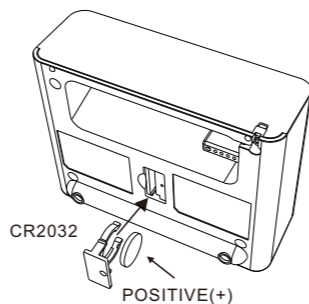
- 1.) Purchase a replacement 3V lithium battery wherever batteries are sold. The battery type is **CR2032** or equivalent.
- 2.) Remove the battery from its package so it is ready to install.

**IMPORTANT:** Leave the AC adapter connected to your AC outlet. This will provide power to the SmartSet® computer memory while the original lithium battery is removed.

- 3.) Turn the radio face up and use a small screw driver to remove the screw securing the battery holder to the cabinet.
- 4.) Remove the original battery from the holder and insert the new battery into the holder the same way, observing the positive (+) direction. Slide the holder with the new battery back into the slot in the cabinet.

**BE CAREFUL NOT TO LOSE THIS SMALL SCREW!**

- 5.) Replace the screw that secures the battery holder in the cabinet.



- 6.) Turn the radio right side up and confirm that the **LOW BATT** indicator is 'Off'.
  - 7.) Save these instructions. You'll have to do this again five to eight years from Now!
- WARNING: DANGER OF EXPLOSION IF BATTERY IS INCORRECTLY REPLACED. REPLACE ONLY WITH THE SAME OR EQUIVALENT TYPE.**

#### Resetting The Clock After A Total Memory Loss

If you do not change the built in lithium battery within a reasonable period of time after you see the **LOW BATT** warning indicator, the lithium battery may become exhausted and will no longer be able to supply back up power to the SmartSet® internal computer. If the unit is disconnected from the AC outlet after the battery is exhausted or if a power interruption occurs, the SmartSet® memory will be lost and the clock will need to be reset when the power is restored. Be sure to install a fresh lithium battery before you reset the clock, otherwise the clock will need to be reset each time the power is interrupted.

If the lithium battery is exhausted and you experience an interruption in the AC power supply, the clock will reset itself to its initial default setting when the power is restored.

The initial default setting is "12:00 AM, Sunday, January 1st (1. 1), 2017".

If you notice that the time on your SmartSet® clock radio is completely incorrect, and the **DAY OF WEEK** indicator is also wrong, press the **MONTH/DATE** button to see the date.

If the date display is showing "1. 1" (January 1st), you probably experienced a total memory loss.

To reset the clock after a total memory loss, proceed as follows:

- 1.) Follow the instructions on page 10, 11 and install a new **CR2032** lithium battery in the battery compartment.
- 2.) Connect the radio to your AC outlet and let the clock set itself.
- 3.) Depress the **MONTH/DATE** and **TIME** buttons together. The display will change from 'Time' to 'Year'. While holding in the **MONTH/DATE** and **TIME** buttons, press the **SET +** button to set the display to the correct year, then release the buttons.
- 4.) Depress the **MONTH/DATE** button. The display will change from 'Time' to 'Month/Date' (MM/DD). While holding in the **MONTH/DATE** button, press the **SET +** button to set the display to the correct Month and Date. The **DAY OF WEEK** indicator will change automatically as you adjust the Month/Date settings. When the correct Month and Date appear on the display, release the buttons.
- 5.) Depress the **TIME** button and the **SET +** button to set the display to the correct Time. Be sure to confirm that you have set the time correctly to 'AM' or 'PM' by observing the **AM** indicator.
- 6.) After you set the Time, reconfirm that the Day, and Month/Date displays are still correct. Make final adjustments if necessary.

The SmartSet® clock memory is now reset and the new lithium battery will maintain it for the next 5 to 8 years, depending on the number and duration of the power outages you experience.

#### IMPORTANT NOTE

After resetting the clock, don't forget to reset your wake up times and alarm mode settings, and sleep timer settings as well.

## CARE AND MAINTENANCE

#### Care Of Cabinets

If the cabinet becomes dusty, wipe it with a soft cloth. If the cabinet becomes smudged or dirty, clean it with a soft, slightly dampened cloth. Never allow water or any liquid to get inside the cabinet. Never use any abrasive cleaners or cleaning pads as these will damage the finish of your radio.

#### Lithium Battery Precautions

- Dispose of the old battery properly. Do not leave it lying around where a young child or pet could play with, or swallow it. If the battery is swallowed, contact a physician immediately.
- Battery may explode if mistreated. Do not attempt to recharge it or disassemble it. Do not dispose of the old battery in a fire.

## LIMITED WARRANTY

Emerson Radio Corp. warrants this product to be free from manufacturing defects in original material, including original parts, and workmanship under normal home use and conditions ("manufacturing defect") for a period of ninety (90) days from date of original purchase in, and if used in the United States. Should service be necessary under this warranty, Emerson will provide the following at our Return Repair Facility provided the manufacturing defect is verified along with the date of purchase:

**\* Repair service for ninety (90) days from date of original purchase at no charge for labor and parts.**

To Receive Authorization to Return a Defective Item, please contact Emerson Customer Service at 1-800-898-9020. Have your Model number, Serial Number and dated Proof of Purchase with you when you call.

In the event the product must be returned to Emerson:

- \* Pack the unit in a well-padded heavy corrugated box. Please insure the item is well padded to avoid damage while in transit back to our facility. **If the item incurs damage, it will NOT be replaced and the consumer will be responsible for return freight costs to receive their same unit back.**
- \* Enclose your check or money order payable to Emerson Radio in the amount of \$10 to cover return shipping and handling costs.
- \* Enclose a note with your name, address, phone number, Return Authorization number and brief reason for returning the unit.
- \* Enclose a copy of your proof of purchase (warranty service will not be provided without dated proof of purchase).
- \* Ship the unit prepaid via UPS or parcel post (SHIP INSURED and obtain a tracking number).

**NOTE:** This warranty does not cover:

- (a) Damage to equipment not properly connected to the product.

- (b) Cost incurred in the shipping of the product to and from Emerson's Return Facility.
- (c) Damage or improper operation of unit caused by customer abuse, misuse, negligence or failure to follow operating instructions (including cleaning instructions) provided with the product.
- (d) Ordinary adjustments to the product which can be performed by customer as outlined in the owner's manual.
- (e) Signal reception problems caused by external antenna or cable systems.
- (f) Products not purchased in the United States.
- (g) Damage to product if used outside the United States.
- (h) Refurbished units.

THIS WARRANTY IS NON-TRANSFERABLE AND APPLIES ONLY TO THE ORIGINAL PURCHASER AND DOES NOT EXTEND TO SUBSEQUENT OWNERS OF THE PRODUCT. ANY APPLICABLE IMPLIED WARRANTIES, INCLUDING THE WARRANTY OF MERCHANTABILITY, ARE LIMITED IN DURATION TO A PERIOD OF THE EXPRESSED WARRANTY AS PROVIDED HEREIN BEGINNING WITH THE DATE OF ORIGINAL PURCHASE AT RETAIL AND NO WARRANTIES, WHETHER EXPRESSED OR IMPLIED, SHALL APPLY TO THE PRODUCT THEREAFTER. EMERSON MAKES NO WARRANTY AS TO THE FITNESS OF THE PRODUCT FOR ANY PARTICULAR PURPOSE OR USE. THE EXTENT OF EMERSON RADIO CORP'S LIABILITY UNDER THIS LIMITED WARRANTY IS THE REPAIR OR REPLACEMENT PROVIDED ABOVE AND, IN NO EVENT, SHALL EMERSON RADIO CORP'S LIABILITY EXCEED THE PURCHASE PRICE PAID BY THE PURCHASER OF THE PRODUCT. UNDER NO CIRCUMSTANCES SHALL EMERSON RADIO CORP. BE LIABLE FOR ANY LOSS, DIRECT, INDIRECT, INCIDENTAL, SPECIAL, OR CONSEQUENTIAL DAMAGE ARISING OUT OF OR IN CONNECTION WITH THE USE OF THIS PRODUCT. THIS WARRANTY IS VALID ONLY IN THE UNITED STATES OF AMERICA. THIS WARRANTY GIVES YOU SPECIFIC LEGAL RIGHTS. HOWEVER, YOU MAY HAVE OTHER RIGHTS WHICH MAY VARY FROM STATE TO STATE. SOME STATES DO NOT ALLOW LIMITATIONS ON IMPLIED WARRANTIES OR EXCLUSION OF CONSEQUENTIAL DAMAGE, THEREFORE THESE RESTRICTIONS MAY NOT APPLY TO YOU. **10-90-1402A**

The Serial Number can be found on the bottom cabinet. We suggest that you record the Serial Number of your unit in the space below for future reference.

Model Number: CKS1900

Serial Number: \_\_\_\_\_

To register your product online please visit <http://www.emersonradio.com/service/product-registration/>



## Free Manuals Download Website

<http://myh66.com>

<http://usermanuals.us>

<http://www.somanuals.com>

<http://www.4manuals.cc>

<http://www.manual-lib.com>

<http://www.404manual.com>

<http://www.luxmanual.com>

<http://aubethermostatmanual.com>

Golf course search by state

<http://golfingnear.com>

Email search by domain

<http://emailbydomain.com>

Auto manuals search

<http://auto.somanuals.com>

TV manuals search

<http://tv.somanuals.com>