

EMOTIVA®



BASX MC-700

7.1 Channel Surround Sound Processor
User Manual

Important Safety Precautions and Explanation of Symbols



The exclamation point within an equilateral triangle is intended to alert the user to the presence of important installation, operation, and service instructions in this manual.



The lightning flash with arrowhead symbol within an equilateral triangle is intended to alert the user to the presence of uninsulated dangerous voltages within the enclosure that may be of sufficient magnitude to constitute a risk of electrical shock to the user.

Please read this manual thoroughly before attempting to install, configure, or operate the BasX MC-700 Surround Sound Processor. After successful installation and configuration of the MC-700, be sure to retain this manual in a safe place for future reference.

Safety is a key component to a long lasting and trouble free installation. Please read and follow all instructions and heed all warnings on the MC-700 and in this manual. The vast majority of the subsequent safety precautions are common sense. If you are not comfortable with the installation of audio/video entertainment equipment, you should seek the services of a qualified installation professional or call us for help.



WARNING: TO REDUCE THE RISK OF FIRE OR ELECTRIC SHOCK, DO NOT USE THE MC-700 NEAR WATER OR IN WET LOCATIONS, DO NOT EXPOSE IT TO RAIN OR MOISTURE, DO NOT EXPOSE IT TO DRIPPING OR SPLASHING FROM OTHER SOURCES, AND ENSURE THAT NO OBJECTS FILLED WITH LIQUIDS (SUCH AS VASES) ARE PLACED ON IT. DOING SO MAY RESULT IN DAMAGE TO THE UNIT AND THE RISK OF ELECTRIC SHOCK, WHICH MAY RESULT IN BODILY INJURY OR DEATH.



WARNING: TO REDUCE THE RISK OF ELECTRIC SHOCK, DO NOT REMOVE THE COVER FROM THE MC-700. THERE ARE NO USER-SERVICEABLE PARTS INSIDE THE UNIT. REFER ALL SERVICE TO QUALIFIED SERVICE PERSONNEL.

Do not install the MC-700 near or above any heat sources such as radiators, heating vents, or other apparatus' that produce heat. Do not block any ventilation openings or heat sinks. Avoid installing the unit directly above other heat-producing equipment unless sufficient ventilation or forced-air cooling is provided.

Do not install the MC-700 in locations without proper ventilation. The MC-700 should not be operated on a bed, sofa, rug, or similar surface that may block vents. The unit should not be installed in an enclosed location such as a bookcase, cabinet, or closed equipment rack unless sufficient forced-air ventilation is provided.

Always install your MC-700 according to the manufacturer's instructions and only use attachments or accessories specified by the manufacturer.

Do not install the MC-700 on any stand, shelf, or other piece of furniture that is unable to support its weight. If a cart is used to move the unit, use caution to avoid injury from tip-over.

Connect the MC-700 only to power sources of the correct voltage (as shown in this manual and on the MC-700 unit).

Protect power supply cables from being pinched, walked on, or otherwise damaged. Be especially careful where the power cable enters the power outlet and the unit.

Only connect the MC-700 to an electrical outlet or extension cord of appropriate type and rating.

DO NOT defeat the safety purpose of a grounding or polarized plug by removing ground pins or using unsafe adapters. A polarized plug has two blades - one wider than the other. A grounding plug has a third ground prong in addition to the two main conductors. The wide blade or third grounding prong is provided for your safety. If the provided plug does not fit your outlet, consult an electrician to replace your obsolete outlet. If you replace the power cord, only use one of similar type and equal or greater current rating.

The power cable for the MC-700 should be unplugged from the outlet during severe electrical storms, or when unused for a long period of time.

Only replace the fuse(s) in the MC-700 with fuse(s) of proper value and voltage rating.



The MC-700 should only be cleaned as directed in the manual. Avoid spraying liquids directly onto the unit and NEVER spray liquids into the vents. Care should be taken so that small objects do not fall into the inside of the unit.

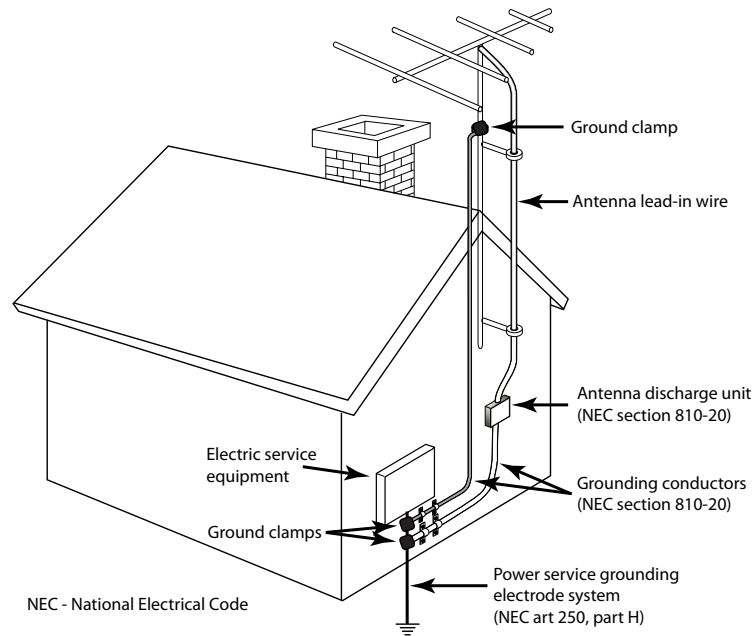
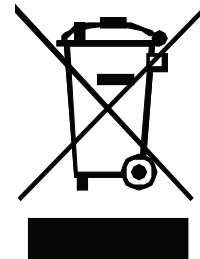


You should seek service for your MC-700 by qualified service personnel if any of the following occur:

1. The power-supply cord or the plug has been damaged.
2. Objects or liquid have fallen or spilled into the vents.
3. The unit has been exposed to rain.
4. The unit exhibits a marked change in performance.
5. The unit has been dropped, or its enclosure or chassis is damaged.

NOTE: TO COMPLETELY DISCONNECT THE MC-700 FROM THE AC POWER MAINS, DISCONNECT THE AC POWER CORD FROM THE AC RECEPTACLE.

NOTE: THE POWER CORD ON THE MC-700 MUST REMAIN READILY ACCESSIBLE AT ALL TIMES.



FCC Interference Statement

Note: This equipment has been tested and found to comply with the limits for a Class B digital device, pursuant to Part 15 of the FCC rules. These limits are designed to provide reasonable protection against harmful interference in a residential installation. This equipment generates, uses and can radiate radio frequency energy and, if not installed and used in accordance with the instructions, may cause harmful interference to radio communications. However, there is no guarantee that the interference will not occur in a particular installation. If this equipment does cause harmful interference to radio or television reception, which can be determined by turning the equipment off and on, the user is encouraged to try to correct the interference by one or more of the following measures:

Reorient or relocate the receiving antenna.

Increase the separation between the equipment and receiver.

Connect the equipment to an outlet on a circuit different from that of the receiver.

Consult the manufacturer or an experienced radio/TV technician for help.

For questions regarding service, please contact:

Emotiva Audio Corporation
Attn: Repair Department
139 Southeast Parkway Court
Franklin, TN 37064

1-877-366-8324
www.emotiva.com

BasX MC-700 Surround Sound Processor



BasX MC-700 Surround Sound Processor

Contents

Important Safety Precautions and Explanation of Symbols	
FCC Interference Statement	
BasX MC-700 Surround Sound Processor.....	1
Introduction	3
About This Manual.....	4
Features	5
Quick Start	6
Unpacking.....	7
BasX MC-700 Front Panel.....	8
BasX MC-700 Rear Panel	10
BasX MC-700 Remote Control.....	13
BasX MC-700 VFD Display And Menu System.....	16
Care and Maintenance	25
Installing Firmware Updates	25
Specifications.....	26
Emotiva Audio Corporation Three-Year Limited Warranty	27
Notes.....	30

BasX MC-700 Surround Sound Processor

BasX MC-700 Surround Sound Processor

Introduction

Thank you for purchasing our new BasX MC-700 Surround Sound Processor.

Our BasX product line is dedicated to the philosophy that high-quality products that deliver true audiophile sound quality do not need to be expensive to buy or complicated to configure and enjoy. Every model in the BasX line offers all the essential features you need to maximize your listening enjoyment.

The BasX MC-700 is a high performance surround sound processor that supports 4k UHD video and all the current 5.1 and 7.1 channel surround sound formats. The MC-700 includes six HDMI video inputs, including three that support 4k UHD HDR video, with HDMI 2.0a and HDCP 2.2, as well as multiple analog and digital audio inputs where you can attach your other audio sources. The MC-700 can be operated via the simple front panel controls, or by the included infrared remote control. The intuitive menu system makes the MC-700 simple to configure and operate using either the large bright blue VFD display on the front panel or the clear concise on-screen display.

Of course, like every product in the BasX series, the MC-700 includes two critical features that you will not find in most other components in its price range: really great sound and video quality. The BasX MC-700 is a true audiophile component, designed and built by audiophiles to deliver the kind of really great sound quality that both audiophiles and ordinary folks expect in a high-end audio system. The MC-700 also features precision high-speed video switches that route video directly from the selected input to the output without any extraneous processing, ensuring that you'll continue to get the absolute best possible picture quality from your HD and 4k UHD video sources.

The MC-700 delivers truly stellar audio and video performance.... at down to Earth prices.

Happy listening!

The Emotiva Team

BasX MC-700 Surround Sound Processor

About This Manual

This manual will provide you with the information you need to get started enjoying your BasX MC-700 Surround Sound Processor.

We suggest that you read through the entire manual; we kept things as short and direct as possible. Even if you are an expert user, you will probably find some interesting information and useful suggestions.

If you're really in a hurry to get started, please read the Quick Start section (on page 6); you may then read the remainder of the manual at your leisure.

You may wish to keep a copy of this manual with your records, and record serial numbers or other purchase information on the Notes page at the back.

BasX MC-700 Surround Sound Processor

Features

The BasX MC-700 is a high performance 7.1 channel surround sound processor that includes support for the latest high quality 5.1 and 7.1 channel surround sound formats and 4k UltraHD video. The MC-700 offers a variety of powerful features, a comprehensive yet intuitive menu system, informative front panel and on-screen displays, and a full function infrared remote control. Most important of all, the MC-700 delivers superb sound quality.

Features Of The New BasX MC-700:

The Emotiva BasX MC-700 surround sound processor combines simplicity of operation, outstanding video and audio performance, and incredible value. Here are just some of the exciting features offered by the MC-700:

- Exceptional video quality, with super-fast, error free switching for up six HDMI inputs - three of which support full 4k UHD HDR video.
- Superb sound quality delivered by advanced surround sound decoders and highly optimized analog audio circuitry.
- Support for all current 5.1 channel and 7.1 channel surround sound formats, including Dolby Digital, Dolby TrueHD, Dolby Pro Logic IIx, DTS, DTS HD Master Audio, DTS Neo:6, and S/PDIF and multi-channel PCM digital audio.
- A high quality headphone amp for private listening.
- Comprehensive real time status information provided by the informative on-screen display and the bright, easy to read, front panel VFD.
- Convenient control options, including a full function infrared remote control, front panel menu navigation buttons, and a real front panel Volume knob.
- Advanced Emo-Q™ automatic multi-channel room correction and loudspeaker setup gets you started fast (calibrated measurement microphone with internal buffer amplifier included).
- Last Video Memory, which allows you to view one source while listening to another.
- Video-On-Standby, which can be configured to send audio and video to the display even when the MC-700 is in Standby mode.
- Flexible quadruple bass management, with 12dB or 24 dB per octave crossover filters, configurable in precise 5 Hz steps below 80 Hz (and 10 Hz steps above 80 Hz), helps you get the best bass performance from virtually any room and subwoofer.
- Eleven user-programmable fully parametric equalizers per channel provide exceptional manual control over room acoustics (with storage for three separate configurations).
- Optional Bluetooth 3.0 module includes support for full CD quality audio from mobile devices with Apt-X™.
- Balanced and unbalanced subwoofer outputs provide additional options for long cable runs or multiple subwoofers.
- High-efficiency, low noise, universal voltage switch mode power supply.
- Firmware updates are carried out using a USB stick - no computer connection is required.
- Full Emotiva Three Year warranty, 30 day return policy, and processor upgrade program.

BasX MC-700 Surround Sound Processor

Quick Start

To get the most from your MC-700 we urge you to read the entire manual. If you just cannot wait to listen to it, this section will cover the basics you need to get started.

- Find a secure location for your BasX MC-700.
- Connect your BasX MC-700 to a power amplifier and a set of speakers.
- Find some music you really like to listen to.
- Turn on the AC Power switch and turn up the volume a bit!
- Enjoy!

While you are enjoying your BasX MC-700, it would be a great time to read the rest of the manual to learn more about it.

BasX MC-700 Surround Sound Processor

Unpacking

Your BasX Surround Sound Processor was carefully packed and should reach you in perfect condition. If you notice any shipping damage or other issues when you unpack it, please contact Emotiva immediately.

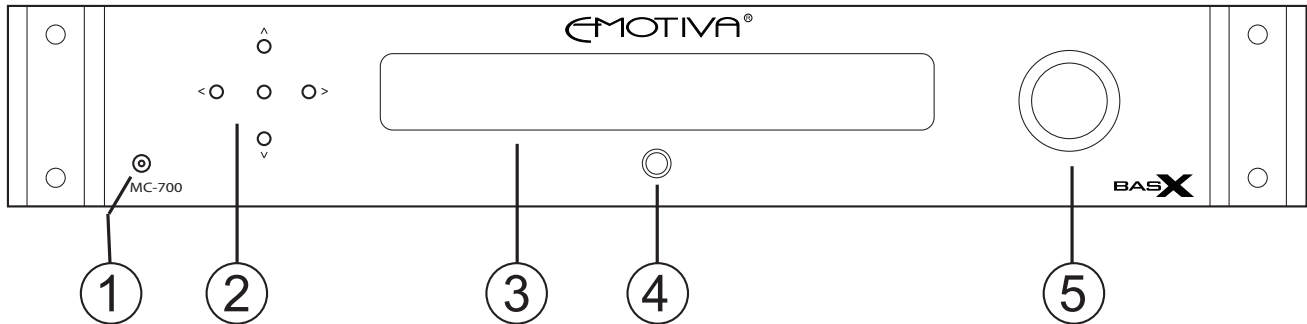
Gently remove your MC-700 from the packing carton and remove all wrappings and shipping material.

It is important to save the box and all packing materials in case your MC-700 ever needs to be moved or shipped back to the factory for service.

We truly value customer feedback and would like to hear from you.

BasX MC-700 Surround Sound Processor

BasX MC-700 Front Panel



1. Headphone Jack

Use this jack to connect a pair of high-quality headphones.

Note: The Main Outputs are muted when headphones are inserted.

Note: The intelligent level control on the MC-700 independently stores and remembers the levels for your Main Outputs and your Headphones. When you unplug your headphones, your speakers will return to their previous level.

2. Navigation Buttons

Input Selection - In normal operation, the Left and Right Arrow Buttons are used to select which Input to listen to.

Menu Navigation - The center button is used to enter the MC-700 Setup Menu. Once you have entered the Setup Menu, the Up, Down, Left, and Right buttons are used to navigate the menus, and the center button is used as an Enter button.

3. Front Panel VFD Display

The large, bright, easy to read VFD display keeps you continually informed about the status of your MC-700. The brightness of the front panel display can be controlled using the Dim Button on the Remote Control.

BasX MC-700 Surround Sound Processor

4. Power / Standby Button

This button is used to toggle the MC-700 between Standby and On modes. The halo ring around the button will be illuminated amber when the MC-700 is in Standby mode, and blue when the MC-700 is On.

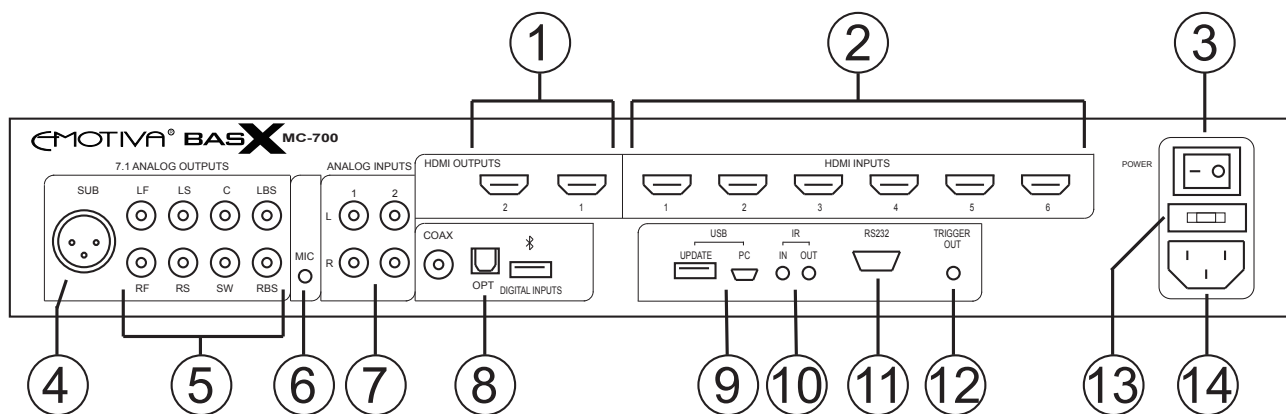
Note: The MC-700 will only operate when the AC Power Switch on the rear panel is On. When the AC Power Switch is turned On, the halo will illuminate amber; at which point pressing the Standby button will turn the MC-700 On.

5. Volume Knob

This knob is used to control the Volume on the MC-700.
(If you are in the Setup Menu, turning the Volume knob exits the menu.)

BasX MC-700 Surround Sound Processor

BasX MC-700 Rear Panel



1. HDMI Video Outputs

HDMI Output #1 is the main video output, and supports ARC (Audio Return Channel) and commercial 4k UHD video signals. HDMI Output #2 allows you to connect a secondary HDMI video display.

2. HDMI Video Inputs

The MC-700 allows you to connect up to six HDMI video source devices. HDMI Input #1 through HDMI Input #3 should be used for commercial 4k UHD and 4k UHD HDR video sources like 4k Blu-Ray players and satellite boxes; HDMI Input #4 through HDMI Input #6 should be used for HD video sources and non-commercial 4k video content.

3. AC Power Switch

Switches the main AC power to the MC-700 On and Off. When this switch is Off, no controls operate, and the MC-700 cannot be turned On from the front panel or with the remote control.

4. Balanced Subwoofer Output

The balanced and unbalanced subwoofer outputs on the MC-700 both carry the same LFE signal. If your subwoofer has both types of inputs, we recommend the balanced connection, which has better immunity to hum and noise - especially if you have very long cables.

5. 7.1 Channel Analog Outputs

These are the main audio outputs on the BasX MC-700. Connect them to the unbalanced analog audio inputs on your power amp or power amps and the input on your powered subwoofer.

BasX MC-700 Surround Sound Processor

The channels are:

- LF - Left Front
- RF - Right Front
- C - Center
- LS - Left Surround
- RS - Right Surround
- SW - Subwoofer
- LBS - Left Back Surround
- RBS - Right Back Surround

Note: If you have a 5.1 channel system, then you should use the LF, RF, C, RS, LS, and SW outputs. The LBS and RBS are not used in a 5.1 channel system. (Even if your surround speakers are located in the back of the room, in a 5.1 channel system they are considered to be Surround speakers and NOT Back Surround speakers.)

6. Microphone Input (For EmoQ Automatic Room Correction)

Connect the provided calibrated microphone to this input when you are preparing to run the EmoQ Automatic Room Correction feature in the MC-700. You should always use the calibrated microphone provided with the MC-700. If you use a different microphone it may produce unusual results, or even damage your microphone or the MC-700.

Note: You should connect the microphone before starting EmoQ. You do not need to leave the microphone connected except when you're planning to run EmoQ.

7. Stereo Analog Inputs

Use these inputs to connect your analog stereo sources. They might be used to connect the output of a phono preamp or tuner, or you could connect the analog output of a phone or music player to one of these inputs with the appropriate adapter cable.

8. Digital Audio Inputs

Use these inputs to connect a digital audio source. The MC-700 includes one electrical S/PDIF (Coax) input and one optical S/PDIF (Toslink) input. These inputs accept stereo audio at sample rates up to 24/192k and low bandwidth digital surround sound formats like Dolby Digital and DTS Digital Surround.

The third input is for the optional Bluetooth module, which will allow the MC-700 to play wireless audio sent from your phone or other Bluetooth-enabled source.

9. USB Update Inputs

These two inputs are reserved for installing updates and future enhancements on the MC-700.

BasX MC-700 Surround Sound Processor

10. IR Remote Input and IR Remote Output

Use the IR Remote Input to connect an external IR detector (eye); use the IR Remote Output to connect an external IR signal transmitter (sometimes referred to as a flasher).

11. RS-232 Serial Remote Control Input

This input accepts control signals from an RS-232 Serial remote control device.

12. Trigger Output

A 12 VDC signal is sent from the Trigger Output of the MC-700 to turn on other devices when the MC-700 is turned on. This signal can be used to turn on other trigger-enabled audio equipment - such as a power amplifier.

13. Fuse Holder

To change the fuse in your MC-700, remove the power cable, then gently pry the fuse compartment open. (The fuse holder opens like a drawer.) Replace the fuse with one of the correct value, replace the fuse drawer, and reinsert the power cable.

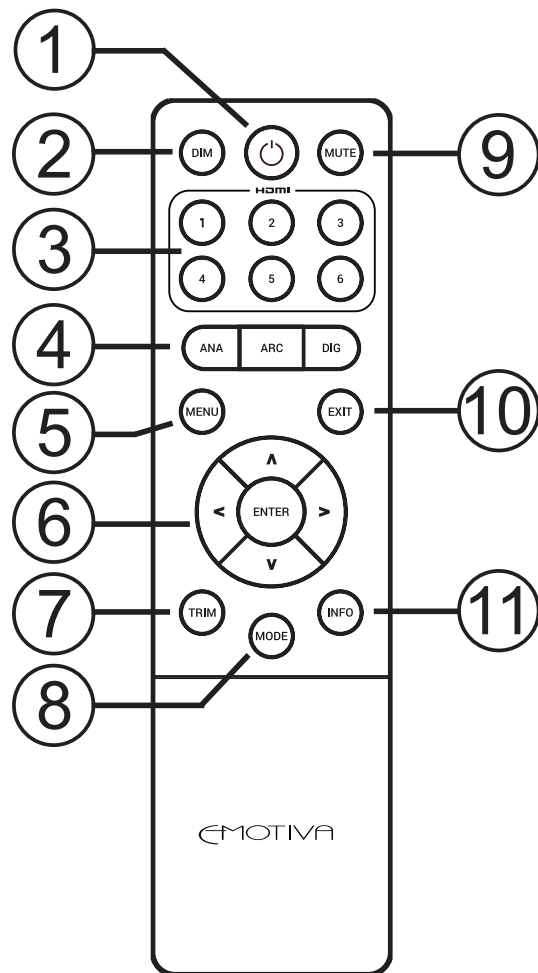
Note: If the fuse in your MC-700 blows repeatedly without apparent reason, then you might have an electrical fault, and you should call Emotiva Technical Support for assistance.

14. IEC Power Cable Receptacle

The IEC Power Cable receptacle accepts any standard IEC power cable. A high quality commercial power cable is provided with your MC-700.

BasX MC-700 Surround Sound Processor

BasX MC-700 Remote Control



1. Power Button

This button is used to toggle the MC-700 between Standby and On modes.

Note: The Remote Control will only operate when the AC Power Switch on the rear panel of the MC-700 is On.

2. Dim Button

This button controls the brightness of the front panel VFD display, cycling through ten different brightness levels.

3. Video Input Buttons

These buttons provide direct access to each of the six HDMI Video Inputs on the MC-700.

4. Audio Input Buttons

These buttons are used to select the various Audio Inputs on the MC-700. Each button selects and then cycles through one set of inputs. The Analog Button selects and then cycles through the Analog Audio Inputs; the Digital Button selects and then cycles through the Digital Audio inputs; the ARC Button selects the Audio Return Channel audio from your TV.

Note: If a Video Input is currently selected, and you then select an Audio Input, the video signal from the previously selected Input will continue to play when the new audio source is selected.

5. Menu Button

The Menu Button activates the Setup Menu on the MC-700. When you are in the Setup Menu, pressing the Menu Button exits.

6. Volume Control and Navigation Buttons

In normal operation the Up Arrow and Down Arrow Buttons adjust the volume on the MC-700.

In the Setup Menu, the four Arrow Buttons and the Enter Button are used to navigate the menu.

BasX MC-700 Surround Sound Processor

7. Trim Button

Press the trim Button to adjust the levels of each group of speakers. Pressing this button once brings you into the Trims Menu. After that, pressing the button repeatedly cycles through the list of speakers. You may then adjust the level of each speaker group on the list using the Left Arrow and Right Arrow buttons. The adjustment range is -10 dB to +10 dB. After you have finished making adjustments, simply don't press the button for a few seconds, and the MC-700 will exit the Trims Menu.

Note: The Speaker Level Trims accessed using the Trim Button are intended to be used to adjust the sound for a particular source or program. They are temporary, and will reset when you select a different Input or place the MC-700 in Standby mode. To make level adjustments that are retained, use the Parameters Menu page in the Setup Menu.

8. Mode Button

The Mode Button allows you to cycle through the available surround sound modes for a particular source or movie.

Note: Only certain surround sound modes are valid with each specific type of input signal. The Mode Button will only allow you to select modes that are valid for the input signal that is currently selected.

9. Mute Button

Press this button to mute the audio output on the MC-700; press it again to return the audio to its previous level.

10. Exit Button

The Exit Button is used to exit the Setup Menu.

11. Info Button

Pressing the Info Button does two things.

It causes the On Screen Display to pop up and show the current Audio Mode and Volume settings.

The current Volume setting is always shown on the Front Panel VFD display, along with more detailed status information. The Info Button causes this status information to toggle between showing the name and designation of the selected Input, and showing the current input signal type and Audio Mode currently selected.

BasX MC-700 Surround Sound Processor

Manual Operation

The BasX MC-700 is very simple to operate using either the front panel buttons or the infrared remote control.

Selecting an Input

To select an Input using the front panel controls:

Use the Left Arrow and Right Arrow navigation buttons to cycle through the available Inputs.

To select a Video Input using the remote control:

Use HDMI buttons 1 through 6 to directly access the six HDMI Video Inputs.

To select an Analog Audio Input using the remote control:

Press the Analog Input Button once to switch to the most recently used Analog Audio Input.

Press the Analog Input Button repeatedly to cycle through the remaining Analog Audio Inputs.

To select an Digital Audio Input using the remote control:

Press the Digital Input Button once to switch to the most recently used Digital Audio Input.

Press the Digital Input Button repeatedly to cycle through the remaining Digital Audio Inputs.

To select the Audio Return Channel (ARC) Input using the remote control:

Press the ARC Input Button once to switch to the ARC audio signal.

(ARC is used to send audio from the TV or display to the MC-700 via the HDMI connection between them when using the internal tuner on the display.)

To select an Input using the Setup Menu and the front panel controls:

Press the center Navigation Button to activate the Setup Menu.

Use the Up Arrow and Down Arrow keys to move to the Input you wish to select.

Use the Left Arrow key to exit the Setup Menu.

To select an Input using the Setup Menu and the remote control:

Press the Menu Button to activate the Setup Menu.

Use the Up Arrow and Down Arrow keys to move to the Input you wish to select.

Use the Left Arrow key to exit the Setup Menu.

Controlling the Volume

To control the Volume using the front panel controls:

Use the front panel Volume knob to set the Volume to your preferred listening level.

To control the Volume using the remote control:

Use the Up Arrow and Down Arrow Buttons to set the Volume to your preferred listening level.

To Change The Surround Sound Decoding Mode

To change the surround sound decoding mode using the remote control:

Use the Mode Button to cycle through the available surround sound modes.

Note: The surround sound modes you can select will depend on the current audio input signal. The MC-700 will only allow you to select surround sound modes that are appropriate for the current input signal.

BasX MC-700 Surround Sound Processor

The Main Menu



The Main Menu screen offers four options:

- Input
- Mode
- Parameter
- Setup

When you enter the Main Menu, the cursor will be positioned on the top line of the Main Menu line at the left-most position (the Input Menu option).

Press the Down Arrow to enter the Input Menu.

Press the Right Arrow to move to any of the other three options.

Press the Left Arrow to EXIT the Menu System.

Note: When you are in the Main Menu, the Left Arrow Button and Right Arrow Button move the cursor between the four menu options. If the Input Menu option, which is at the left edge of the menu, is already selected, pressing the Left Arrow Button again will Exit the Main Menu.

The Input Menu

The Input Menu allows you to select the video or audio source you wish to watch or listen to.

From the Main Menu, press the Down Arrow Button to enter the Input Menu.
(It is intuitive if you think of it as moving down into the lower menu.)

When you enter the Input Menu the cursor will appear on the first item, and you can then move it up or down using the Up Arrow and Down Arrow Buttons.

Move the cursor to highlight the Input you wish to select, then press the Center Navigation Button on the front panel or the Enter Button on the remote control to select it.

Note: The list of Inputs is several screens long; the display will scroll once it reaches the bottom row.

Press the Left Arrow Button to return to the Input Menu.

Press the Left Arrow Button again to return to the Main Menu.

Pressing the Left Arrow Button a third time will exit the Main Menu.

The MC-700 will Exit the Menu System automatically if no button is pressed for several seconds.

Note: If the currently selected Input provides both Video and Audio, and you select an audio source, the previously selected Video Source will continue to play accompanied by the audio from the new Input.

BasX MC-700 Surround Sound Processor

The Mode Menu

The Mode Menu allows you to select the surround sound mode you wish to use.

From the Main Menu, use the Right Arrow Button to move the cursor to the Mode Menu option, then press the Down Arrow Button to enter the Mode Menu.

When you enter the Mode Menu the cursor will appear on the first item, and you can then move it up or down using the Up Arrow and Down Arrow Buttons.

Move the cursor to highlight the surround sound mode you wish to select, then press the Center Navigation Button on the front panel or the Enter Button on the remote control to select it.

Note: The list of Modes is several screens long; the display will scroll once it reaches the bottom row. The options you are offered will depend on your currently selected source.

Certain choices, like DTS Neo 6, will offer additional options when you select them. When this happens, use the Up and Down Arrow Buttons to select the option you prefer, press the Center Navigation Button on the front panel or the Enter Button on the remote control to select it, and then press the Left Arrow Button to return to the main selection.

Press the Left Arrow Button to return to the Mode Menu.

Press the Left Arrow Button again to return to the Main Menu.

Pressing the Left Arrow Button a third time will exit the Main Menu.

The MC-700 will Exit the Menu System automatically if no button is pressed for several seconds.

The Parameter Menu

The Parameter Menu allows you to make changes to some frequently adjusted settings. The first screen offers you the ability to adjust the level of each speaker (+ / - 10 dB in 0.5 dB steps). The second screen allows you to choose some settings for how Midnight Mode and various matrix decoding options work.

From the Main Menu, use the Right Arrow Button to move the cursor to the Parameter Menu option, then press the Down Arrow Button to enter the Parameter Menu.

Use the Up and Down Arrows Buttons to move the cursor to the speaker you wish to adjust.

Press the Right Arrow Button to move into the adjustment field for each speaker.

Use the Up and Down Arrows to adjust the current value to the one you want.

Then press the Left Arrow Button to return to Parameter Menu list to select a different speaker.

Note: Unlike the Trims settings, the adjustments you make in the Parameters Menu are retained when you switch Inputs or power the MC-700 Off.

BasX MC-700 Surround Sound Processor

The Midnight Mode and decoder parameters on the second page of the menu are configured the same way. Use the Right Arrow Button to move the cursor to the configuration field, choose the option you want using the Up and Down Arrow Buttons, then return to the Parameter Menu using the Left Arrow Button.

Press the Left Arrow Button to return to the Parameter Menu.

Press the Left Arrow Button again to return to the Main Menu.

Pressing the Left Arrow Button a third time will exit the Main Menu.

The MC-700 will Exit the Menu System automatically if no button is pressed for several seconds.

The Setup Menu

The Setup Menu allows to configure exactly how the MC-700 operates to suit your personal preferences.

From the Main Menu, use the Right Arrow Button to move the cursor to the Setup Menu option, then press the Down Arrow Button to enter the Setup Menu.

Several of the choices in the Setup Menu have additional options and sub-options. When you wish to change the setting for an option, use the Right Arrow to move to the option field, use the Up and Down Arrow Buttons to change the option value, then use the Left Arrow Button to return to the previous field (there is no need to use the Enter Button unless instructed to).

Input Config - allows you to configure several options independently for each Input.

For each input you can:

- configure whether the input is Enabled
- configure what audio source is associated with that input
- change the friendly name of the input
- change the Lip Synch setting for that input
- set an individual gain adjustment for that input
- set whether the Trigger Output is activated when that input is selected

Mode Setup - allows you to configure what surround sound mode the MC-700 uses for each possible type of input signal.

Speaker Setup - allows you to configure the size and crossover parameters for each of your speakers, and the distance from each of your speakers to your main listening position.

AutoRoom / EQ - allows you to run EmoQ Advanced Automatic Room Correction, and access the three banks of manual Parametric Equalizer presets in the MC-700.

The MC-700 has four independent groups of EQ settings:

- Manual EQ1, Manual EQ2, and Manual EQ3 contain settings that you enter using the manual parametric equalizer controls.
- Emo_Q contains the settings created and stored by the EmoQ Automatic Room Correction system.

BasX MC-700 Surround Sound Processor

To select which group of settings to make active, press the Right Arrow Button to move the cursor to the second column of the display.

Use the Up and Down Arrow Buttons to highlight the EQ bank you wish to select.

Press the Enter Button on the remote control or the Center Navigation Button on the MC-700 front panel to select that option and make it active.

To CONFIGURE any of the Manual EQ banks, first highlight it, then press the Right Arrow Button to enter the Manual EQ Configuration screen. On this screen you will be able to configure the center frequency, level, and Q (sharpness) for each of the 11 parametric EQ bands.

Note: If the Manual EQ group you wish to configure is already selected, you will enter the configuration screen the first time you press the Right Arrow Button. If the Manual EQ group you choose to configure is not currently selected, it will become selected the first time you press the Right Arrow Button, and the second time you press the button you will enter the configuration screen.

You may also manually adjust the configuration settings in the EmoQ EQ bank in the same way you configure the manual EQ banks.

Note: While you may adjust the values in the EmoQ EQ bank, the values displayed do not represent the entire range of corrections introduced by EmoQ. Therefore, while your adjustments will MODIFY the adjustment made by EmoQ as you expect, setting all bands back to zero is not equivalent to a totally flat setting in one of the Manual EQ groups.

Note: Any manual adjustments you make to the EmoQ group will be overwritten the next time you run EmoQ.

Option - provides access to several general operating parameters, including the appearance of the On Screen Display and what information is displayed, the HDMI CEC options, and the Volume Mode and Standby Video modes used by the MC-700.

Version - displays the version of the firmware installed on your MC-700.

Load Default - resets the MC-700 to factory default settings.

BasX MC-700 Surround Sound Processor

Automatic Room Correction and Loudspeaker Calibration

EmoQ sends a series of test signals through your speakers, measures the results with the (included) calibrated microphone, and configures the MC-700 to make your system sound its best. Even though the actual operation of EmoQ is very sophisticated, it is very simple to use, and will deliver excellent results without manual tweaking in most situations. (EmoQ also allows you to fine tune the settings and calibration curves it generates after you run it, and to create your own manual calibration settings as well. You should also bear in mind that the choices EmoQ makes may not agree with your musical tastes; if so, then you should always go with what you prefer, and adjust your EQ settings accordingly.)

1) Unpack your calibration microphone, unwind the wire, and plug it into the Microphone jack on the rear panel of the MC-700. (The MC-700 is calibrated for this particular microphone, so don't use a different one.)

WARNING: The calibration microphone supplied with the MC-700 includes its own high quality buffer amplifier to eliminate noise and interference. The microphone jack on the MC-700 provides power for this microphone. If you attempt to use a different microphone with your MC-700, you may damage the microphone or the MC-700.

2) Place the microphone in your listening location. While EmoQ will do its best to optimize the sound for your entire room, the calibration curve and settings it generates will still be the most precise at the position where the microphone was positioned when the calibration was carried out. The microphone should be placed where your head is normally located.

Here are some tips for best results:

- The test will take several minutes, and some of the test tones may be loud, so you might want to take pets or children out of the room.
- Position the microphone close to where your head or ears normally are (on top of the back seat cushion of your favorite chair or couch or, ideally, attached to a stand or tripod).
- The microphone is normally positioned with the point up (and the flat base down).
- Do not place the microphone in a location where it is blocked from a direct line-of-sight to any speaker (like on a chair seat). If the microphone cannot "hear" a particular speaker, EmoQ will raise the level of that speaker so it presents a balanced sound at the position of the microphone, which will probably result in that speaker being too loud for everyone else.
- Try to avoid flat reflective surfaces. If you must place the microphone on a table or other reflective surface, place a towel or blanket under it to minimize reflections.
- Turn off any air conditioners or other gadgets that make noise, and avoid talking or making noise during the test. Also turn off or remove from the area any telephones that are likely to ring. If you live in a high traffic area, or have noisy neighbors, or children, for best results wait for a quiet time of day to run EmoQ. (If anything makes noise during the test, it will alter the results, and you'll have to run EmoQ over again for best results.)

BasX MC-700 Surround Sound Processor

- Avoid moving around the room during the test. It is best if you pick a spot to stand or sit while the test is running that does not block or change the sound field. The best place is in the rear of the room towards the center of the wall. Avoid walking near the microphone during the test (even if you do not block any speakers) because reflections from your body will interfere with the accuracy of the results. And, of course, avoid making noise during the test.
- If you rearrange your furniture, move your speakers, or add or remove reflective or sound absorbing wall hangings (like big pictures or tapestries), you should re-run EmoQ for best results.
- If you purchase new speakers, or change adjustments on your speakers or other equipment (like the level controls on your tweeters or amps), you should run EmoQ again.
- EmoQ is quite powerful, but you will still get the best results if you start out with a good room layout and good speakers. At a minimum, try to position speakers as symmetrically as possible from left to right relative to the listening position. (Left and right speakers of each set should be about the same distance to the sides of the listening position; the center should be as near the center as possible. Perfect symmetry may not be possible in your listening room, but the closer you get, the better your results will be.)
- In general, highly reflective rooms are not optimum in terms of sound quality, and even EmoQ may not be able to completely correct for the acoustic properties of an overly “live” room.

3) Run EmoQ.

To run EmoQ, select EMO_Q CALIBRATE from the Autoroom EQ sub-menu on the Setup Menu and press the Right Arrow Button to start the calibration process. You will see a message that the calibration process is starting, hear a single test tone, and then see a reminder to be quiet during the remainder of the test, and a note that you can press OK to continue. You may press the Center Button or the Right Arrow Button to continue; the test will continue on its own after a few seconds if you don't press a button.

EmoQ will now play a series of test tones to determine whether each speaker is present and its acoustic distance from your listening position (the microphone). Once the sequence of test tones has completed, you will be presented with a screen showing the results of the initial measurements. This screen will list the distance between the microphone and each speaker that EmoQ has detected. You will be prompted to press OK to continue. You may press the Center Button to continue immediately

Note: EmoQ measures the acoustic distance from your listening position to each speaker based on the amount of time it takes sound from each speaker to reach the test microphone. Because the system is measuring time delay rather than physical distances, these distances may vary slightly from what you might measure with a tape measure.

When the test continues, EmoQ will play a series of test tones through each of your speakers to measure its frequency response. EmoQ will only test the speakers that it has detected in the previous portion of the test. Depending on how many speakers you have, this portion of the test may take several minutes.

BasX MC-700 Surround Sound Processor

After this series of test tones are done, EmoQ will present you with another screen of information. This time you will be prompted to *SAVE* the information by pressing OK. Press the Center Button to save the measurements and corrections calculated by EmoQ. (You may also review the measurements for each speaker by using the Right Arrow Button to cycle between them). When you save the settings you will be taken back to the Setup Menu. The EmoQ EQ settings should already be set as your default choice.

You will be able to go back later and change your choice, and to manually adjust the settings made by EmoQ if you prefer. You may also create up to three full sets of custom manual EQ setting and choose between them. To make your new EmoQ settings active, and apply them to your inputs, you must select EmoQ as the active EQ choice.

Note: Moving the selector to an EQ choice that isn't highlighted (red) and pressing Enter selects that choice (and it turns red). At this point (if you have an active input which is subject to EQ) you will be able to preview what that choice sounds like. Moving the blue selector bar to an EQ choice that is already highlighted (red), and pressing the Right Arrow Button, takes you into a sub-menu where you can make detailed adjustments to the selected EQ configuration. (If you get into this screen by mistake, and want to get out without changing anything, you can do so by pressing the Left Arrow Button.)

Note: You may feel free to adjust the settings stored in the EmoQ EQ bank to suit your personal preferences. However, when you run EmoQ, extra information which is not visible is stored in the EmoQ EQ bank. Because of this extra information, while you may copy the settings from the EmoQ EQ bank to one of the Manual EQ banks, the results may not be identical to the original EmoQ settings.

Note: If you have Direct Mode selected, you will NOT be able to preview the EQ settings (because EQ is not applied in Direct Mode). It is therefore a good idea to make sure that you are listening to an input and mode in which EQ is applied if you want to preview your settings. (If you haven't done any advanced configuration, HDMI 1 or HDMI 2 will probably work well for this.)

Note: If you run EmoQ multiple times, you will get similar results (but probably not identical). You will not get more accurate results by running EmoQ repeatedly (it does not save or average results from multiple runs). If you are not entirely satisfied with the results, try moving the microphone to a slightly different position, or simply adjust the results manually to fit your tastes.

Note: EmoQ is very sophisticated, but not totally foolproof. Unusual room acoustics, reflections, or unusual speakers, can cause it to get incorrect results. If you are not satisfied with the results you get when running EmoQ, we suggest you try a slightly different microphone location. (Moving the microphone forward or backwards, while keeping it in the left-right center of the room, will often produce better results.)

BasX MC-700 Surround Sound Processor

Notes (about setting subwoofers):

Since EmoQ is controlling the bass management for your subwoofer, it is usually optimum to set your sub itself to “flat”.

If your subwoofer has a phase setting, you should set it to “0 degrees” or “normal” (and not “inverted”).

If your sub has a built-in crossover that cannot be disabled, then set it to the highest allowed crossover point.

If your sub has a level control, setting it to a center position, or to “0 dB”, is a good place to start.

If your subwoofer has special features for eliminating room nodes, or if you are using bass traps or other advanced room correction devices, these adjustments should usually be made BEFORE running EmoQ for best results.

BasX MC-700 Surround Sound Processor

Care and Maintenance

Periodic Maintenance

Your BasX MC-700 requires no periodic maintenance or calibration.

Cleaning your MC-700

- If necessary, the MC-700 should be cleaned gently with a soft rag.
- If something sticky gets on the front panel or case of the MC-700, it should be cleaned with a mild cleaning solution applied to a soft cloth, followed by wiping with a clean cloth dampened with plain water and drying with a soft dry rag or cloth.

Note: DO NOT spray water or cleaning solution directly onto the front or rear panel of the MC-700.

Installing Firmware Updates

From time to time Emotiva may issue firmware updates for your MC-700. We strongly recommend that you only install firmware that was downloaded from the official Emotiva website, or that you received from Emotiva Technical Support staff.

To install a firmware update on your MC-700:

- 1) Download the firmware file from our website or the link or e-mail attachment provided by our Technical Support representative.
- 2) Place the firmware update file on a USB stick formatted with the Fat32 operating system (any commercial USB stick formatted to work on both Apple and Windows computers should work fine). Place the file into the main or root directory of the stick.

Note: If the firmware update is provided in the form of an archive, such as a Zip file, extract the firmware update file from the archive onto the stick.

- 3) Turn off your MC-700 (using the Power Switch on the rear panel).
- 4) Insert the USB stick with the firmware update file into the USB port on the MC-700 rear panel labelled USB Update.
- 5) Switch the MC-700 On (using the Power Switch on the rear panel).
- 6) When the front panel Power / Standby button stops blinking, press it to turn the MC-700 On.
- 6) Your MC-700 will automatically detect and install the firmware update.
- 7) Once the firmware update is complete, the MC-700 will notify you, and then start normally.
- 8) Turn the MC-700 Off and remove the USB stick.
- 9) We strongly recommend resetting your MC-700 (Load Default from the Setup Menu) after performing a firmware update. Note that this will clear all configuration settings.

BasX MC-700 Surround Sound Processor

Specifications

Connectivity

Video Inputs and Outputs:

- (6) HDMI compliant video inputs (3 with full support for 4k UHD HDR video).
- (2) HDMI compliant video outputs (1 with full support for 4k UHD HDR video) .

Audio Inputs:

- (2) stereo unbalanced analog audio inputs.
- (1) S/PDIF coaxial digital audio input.
- (1) Toslink (optical) digital audio input.
- (1) Bluetooth audio input (requires optional Emotiva Bluetooth dongle).

Audio Outputs:

- (1) set of 7.1 channel unbalanced audio main outputs
- (1) balanced subwoofer output (same as main sub output)

Other Inputs and Outputs:

- (1) IR remote control signal input
- (1) IR remote control signal output
- (1) RS-232 serial remote control input
- (1) trigger output (programmable)
- (2) USB data inputs (reserved for firmware updates)

Power Requirements

115 VAC or 230 VAC @ 50 / 60 Hz (automatically detected).

Dimensions

17" wide x 1-7/8" high x 13" deep (without connectors)

Weight

- 9 lbs (net)
- 14 lbs (boxed)

Emotiva Audio Corporation Three-Year Limited Warranty

What does this warranty cover?

Emotiva Audio Corporation (Emotiva) warrants its products against defects in materials and workmanship. This warranty, and all rights provided hereunder, is granted to the original owner, and may be transferred to a single new owner once during the initial one year of ownership. In the event the original owner transfers ownership of the Product during the first year of ownership, this Warranty shall terminate at the end of the original applicable term. In the event the original owner transfers ownership of the Product AFTER the end of the first year of ownership, but prior to the expiration of the applicable term described below, this Warranty shall terminate immediately upon transfer of ownership.

This Warranty only applies to Products purchased directly from Emotiva or any of its Authorized Dealers or International Distributors.

Emotiva warrants any replacement product or part furnished hereunder against defects in materials and workmanship for the longer of the following: (i) the amount of time remaining under the original warranty, or (ii) 120 days from your receipt of the repaired or replaced product. The duration described in this paragraph is hereinafter referred to as the "Term".

TO THE FULLEST EXTENT PERMITTED BY LAW, ALL IMPLIED WARRANTIES RELATED TO THE ORIGINAL PRODUCT AND ANY REPLACEMENT PRODUCT OR PARTS (INCLUDING IMPLIED WARRANTIES OF MERCHANTABILITY AND FITNESS FOR A PARTICULAR PURPOSE) ARE EXPRESSLY LIMITED TO THE TERM OF THIS LIMITED WARRANTY. SOME STATES DO NOT ALLOW LIMITATIONS ON HOW LONG AN IMPLIED WARRANTY LASTS, SO THE ABOVE LIMITATION MAY NOT APPLY TO YOU.

The original owner must make a claim within the Term of the Warranty. A claim shall not be valid (and Emotiva has no obligation related to the claim) if it is not made within the Term and if it is not made in strict compliance with the requirements of the "How do you get service?" section.

How long does this coverage last?

This warranty commences on the date of retail purchase by the original retail purchaser and runs for a period of three years thereafter, with the exception of accessories, cables, and remote controls*. In the event the original owner transfers ownership of the Product during the first year of ownership, this Warranty shall terminate at the end of the original applicable term. In the event the original owner transfers ownership of the Product AFTER the end of the first year of ownership, but prior to the expiration of the applicable term, or ownership is transferred a second time, this Warranty shall terminate immediately upon transfer of ownership.

Emotiva warrants any replacement product or part furnished hereunder against defects in materials and workmanship for the longer of the following: (i) the amount of time remaining under the original warranty, or (ii) 120 days from your receipt of the repaired or replaced product. The duration described in this paragraph is hereinafter referred to as the "Term".

*Accessories, cables, and remote controls have a one-year warranty to the original owner.

What will Emotiva do?

Emotiva will, at its option, either: (i) repair the product, or (ii) replace the product with a new consumer product which is identical or reasonably equivalent (in Warrantor's sole discretion) to the product. In the event Warrantor, in its sole discretion, is unable to replace or repair the Product or it is not commercially practicable to do so, then: (i) if the claim was submitted during the first 365 days of the Term, Warrantor shall refund to you the purchase price that you paid for the Product; and (ii) if the claim was submitted after the first 365 days of the Term, Emotiva shall issue you a credit equal to the purchase price that you paid for the product. The credit may only be used for the purchase of merchandise from Emotiva, and cannot be used for freight charges.

When a Product or part is repaired or replaced, any replacement item becomes your property and the replaced item becomes Emotiva's property. When a refund or credit is given, the Product for which the refund or credit is provided must be returned to Emotiva and becomes Emotiva's property.

What is not covered by this warranty?

This warranty does not apply: (i) to damage caused by use with products not manufactured by Emotiva, where the non-Emotiva product is the cause of the damage; (ii) to damage caused by service or maintenance performed by anyone who is not a representative of Emotiva; (iii) to damage caused by accident, abuse, misuse, flood, fire, earthquake or other external causes; (iv) to a product or part that has been modified after its retail purchase, where the modification caused or contributed to the damage; (v) to consumable parts, such as batteries or failure of or damage to the Product caused by batteries; (vi) if any Emotiva serial number has been removed or defaced on the product; (vii) glass or plastic panels, cabinetry, trim or other appearance items; (viii) cosmetic wear or damage to remote controls by user.

EMOTIVA SHALL NOT BE LIABLE FOR ANY INCIDENTAL OR CONSEQUENTIAL DAMAGES ARISING FROM OR RELATED TO ANY DEFECTS IN OR DAMAGES TO ITS PRODUCTS. SOME STATES DO NOT ALLOW THE EXCLUSION OR LIMITATION OF INCIDENTAL OR CONSEQUENTIAL DAMAGES, SO THE ABOVE LIMITATION OR EXCLUSION MAY NOT APPLY TO YOU.

How do you get service?

In order to make a claim under the Warranty, you must:

1. Call or e-mail a customer service representative at 1-877-EMO-TECH (1-877-366-8324) or support@emotiva.com. You must provide a description of your problem, the serial number of the Product for which the warranty claim is being made, and the original purchase date.
2. Then, you will be provided with a warranty service authorization number ("WS").

3. Next, you must ship the Product to the following address, with the WS written in large, bold numbers on the outside of the box, and with the letters "WS" written before the number, for example: WS1234. Parcels arriving without a WS number on the outside of the box will be refused. The customer pays for the shipping to Warrantor. Warrantor pays for the shipping back to the customer within the continental United States only. Customer is responsible for shipping charges on all other warranty claims.

**Emotiva Audio Corporation
Attn: Repair Department
139 Southeast Parkway Court
Franklin, TN 37064**

Units will be refused by Emotiva for the following:

Product was sent without the WS#
Product was sent with inadequate packaging.
Product was damaged in transit.
Product was shipped collect for shipping charges.

How does state law apply?

This warranty gives you specific legal rights, and you may also have other rights which vary from state to state.

What if my product is damaged on the way to you?

Emotiva is not liable for damages that may incur while an item is in transport to us. Please purchase insurance when you ship your item. If your Product was not adequately packaged, we will refuse receipt and the damaged package will be returned to you at your cost. If you do not have the original Emotiva Audio packaging, please check with our sales department to purchase replacement-shipping cartons.

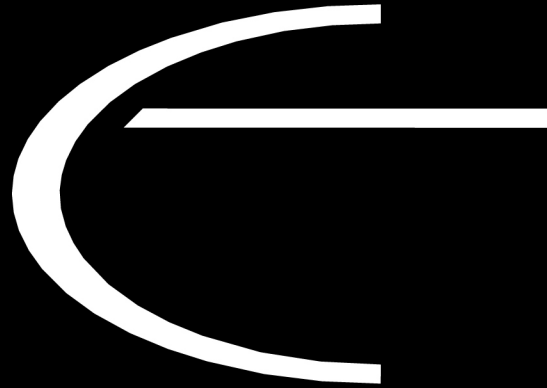
How does the Warranty and service apply to international orders?

The Product Warranty is only valid in the country where the Emotiva product was originally shipped via an authorized dealer, distributor, or direct from the Emotiva factory. The Warranty is subject to change at any time depending on the laws and regulations within your specific country. Please check with your distributor for a complete understanding of the warranty in your county.

If you purchased your Emotiva Product outside of the USA and wish to have it serviced at the factory, all freight charges are your responsibility. If you do not have an authorized distributor or repair center in your country, your Product must come back to the Emotiva USA factory for warranty service.

Notes

All information contained in this manual is accurate to the best of our knowledge at the time of publication. In keeping with our policy of ongoing product improvement, we reserve the right to make changes to the design and features of our products without prior notice.



Emotiva Audio Corporation
135 Southeast Parkway Court
Franklin, TN 37064

www.emotiva.com

Free Manuals Download Website

<http://myh66.com>

<http://usermanuals.us>

<http://www.somanuals.com>

<http://www.4manuals.cc>

<http://www.manual-lib.com>

<http://www.404manual.com>

<http://www.luxmanual.com>

<http://aubethermostatmanual.com>

Golf course search by state

<http://golfingnear.com>

Email search by domain

<http://emailbydomain.com>

Auto manuals search

<http://auto.somanuals.com>

TV manuals search

<http://tv.somanuals.com>