



EPSON AcuLaser CX16NF

# Facsimile User's Guide

---

NPD4212-00 EN

## ***Copyright Notice***

No part of this publication may be reproduced, stored in a retrieval system, or transmitted in any form or by any means, mechanical, photocopying, recording, or otherwise, without the prior written permission of Seiko Epson Corporation. No patent liability is assumed with respect to the use of the information contained herein. Neither is any liability assumed for damages resulting from the use of the information contained herein.

Neither Seiko Epson Corporation nor its affiliates shall be liable to the purchaser of this product or third parties for damages, losses, costs, or expenses incurred by purchaser or third parties as a result of: accident, misuse, or abuse of this product or unauthorized modifications, repairs, or alterations to this product, or (excluding the U.S.) failure to strictly comply with Seiko Epson Corporation's operating and maintenance instructions.

Seiko Epson Corporation and its affiliates shall not be liable against any damages or problems arising from the use of any options or any consumable products other than those designated as Original Epson Products or Epson Approved Products by Seiko Epson Corporation.

EPSON is a registered trademark and EPSON AcuLaser is a trademark of Seiko Epson Corporation.

---

## Contents

### Chapter 1 Introduction

---

Part Names. . . . .	7
Front View. . . . .	7
Rear View. . . . .	8

### Chapter 2 Control Panel and Configuration Menu

---

Fax Mode Screen. . . . .	10
Main Screen. . . . .	10
Entering Fax Mode. . . . .	12
Symbol list. . . . .	12
UTILITY Menu. . . . .	13
Specifying Settings in UTILITY Menu. . . . .	13
General Procedure for Specifying Settings in Utility Menu. . . . .	13
Memory Reception. . . . .	14
Setting Up the Memory RX Mode. . . . .	14
Turning Off the Memory RX Mode. . . . .	15
Specifying Forwarding Settings. . . . .	16

### Chapter 3 Sending Faxes

---

Basic Fax Operation. . . . .	17
Sending a Fax Using the ADF. . . . .	17
Sending a Fax Using the Original Glass. . . . .	19
Adjusting the Image Quality. . . . .	21
Adjusting the Resolution. . . . .	21
Adjusting the Scan Density. . . . .	22
Specifying a Recipient. . . . .	22
Directly Entering a Fax Number. . . . .	23
Using the Favorite List. . . . .	23
Using the Speed Dial Function. . . . .	24
Using the List Function of the Phone Book. . . . .	25
Using the Search Function of the Phone Book. . . . .	26
Using the Redial Function. . . . .	27

Specifying Multiple Recipients. . . . .	27
Sending a Fax to Multiple Recipients (Broadcast Transmission). . . . .	27
Sending a Fax to Multiple Recipients (Group Dial). . . . .	29
Sending a Fax at a Specified Time (Timer Transmission). . . . .	30
Sending a Batch Transmission. . . . .	31
Memory Transmission and Direct Transmission. . . . .	32
Memory Transmission. . . . .	32
Direct Transmission. . . . .	32
Changing the Transmission Method. . . . .	32
Sending a Fax Manually. . . . .	33
Sending a Fax Manually After Using the Telephone. . . . .	33
Sending a Fax Manually Using the <b>On hook</b> Key. . . . .	35
Sending a Fax to a Combination of Fax Numbers (Chain Dial). . . . .	35
Canceling a Queued Transmission. . . . .	36
About the Fax Header. . . . .	37

#### **Chapter 4 Faxing From a Computer (PC-FAX)**

---

Sending a Fax Directly From a Computer (PC-FAX). . . . .	39
PC-FAX Settings. . . . .	39
Common Buttons. . . . .	39
Settings Tab. . . . .	39
Sender Information Tab. . . . .	40
Address Book Tab. . . . .	40
Basic PC-FAX Transmissions. . . . .	40
Uninstalling the FAX Driver (for Windows). . . . .	41

#### **Chapter 5 Receiving Faxes**

---

Receiving Faxes Automatically. . . . .	43
Receiving Faxes Manually. . . . .	43
Forwarding Received Faxes. . . . .	44
Printing Received Faxes. . . . .	45
Printable Area. . . . .	45
Adding the Sender's Information When Printing Faxes. . . . .	45

**Chapter 6 Registering Recipients**

---

About the Dial Register Function. . . . .	53
Favorite List. . . . .	53
Registering Destinations in the Favorite List. . . . .	53
Deleting Destinations from the Favorite List. . . . .	55
Speed Dialing. . . . .	55
Registering a Speed Dial Destination. . . . .	55
Changing/Deleting Speed Dial Information. . . . .	57
Group Dialing. . . . .	58
Registering a Group Dial Destination. . . . .	58
Changing/Deleting Group Dial Information. . . . .	60

**Chapter 7 Confirmation Mode**

---

About the Machine's Counters. . . . .	62
Checking the Counter for Fax Printing. . . . .	62
Checking the Counter for Total Scans. . . . .	62
Checking the Transmission/Reception Result From the Message Window. . . . .	63
About the Reports and Lists. . . . .	63
Printing the Reports and Lists. . . . .	63
TX RESULT REPORT. . . . .	64
RX RESULT REPORT. . . . .	64
ACTIVITY REPORT. . . . .	65
MEMORY DATA LIST. . . . .	65
MEMORY IMAGE PRINT. . . . .	65
FAVORITE LIST. . . . .	66
SPEED DIAL LIST. . . . .	66
GROUP DIAL LIST. . . . .	66

**Chapter 8 Troubleshooting**

---

Problems When Sending Faxes. . . . .	68
Problems When Receiving Faxes. . . . .	69
Other Problems. . . . .	70
Error Messages on the Message Window. . . . .	70

*Appendix A* **Appendix**

---

Technical Specifications. . . . . 73

Entering Text. . . . . 74

    Key Operation. . . . . 74

    Changing Input Mode. . . . . 78

    Inputting Example. . . . . 78

    Correcting Text And Input Precautions. . . . . 79

**Index**

---

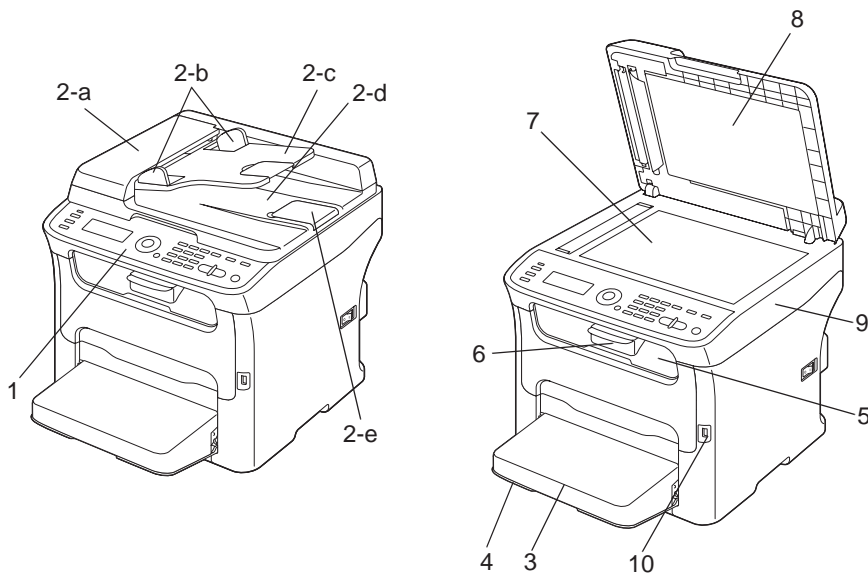
## Chapter 1

### Introduction

#### Part Names

The parts of the machine referred to throughout this manual are illustrated below. Please take some time to become familiar with them.

#### Front View



1-Control Panel

2-Automatic document Feeder (ADF)

2-a:ADF feed cover

2-b:Document guide

2-c:Document feed tray

2-d:Document output tray

2-e:Document stopper

**Note:**

- ❑ *The ADF may appear as “document cover” in some status and error messages.*
- ❑ *Lower the document stopper when scanning Legal-size paper with the ADF.*

3-Dust cover

4-Tray 1 (Manual feed tray)

5-Output tray

6-Extension tray

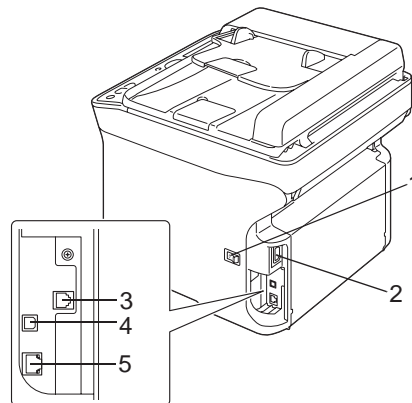
7-Original glass

8-Original cover pad

9-Scanner unit

10-USB memory port

## **Rear View**



1-Power switch

2-Power connection

3-LINE (telephone line) jack



4-USB port

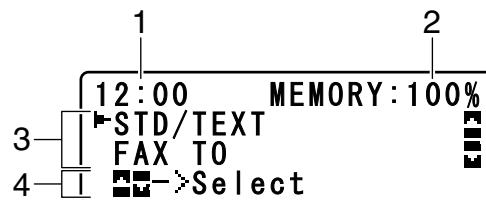
5-10Base-T/100Base-TX Ethernet Interface port

## Chapter 2

# Control Panel and Configuration Menu

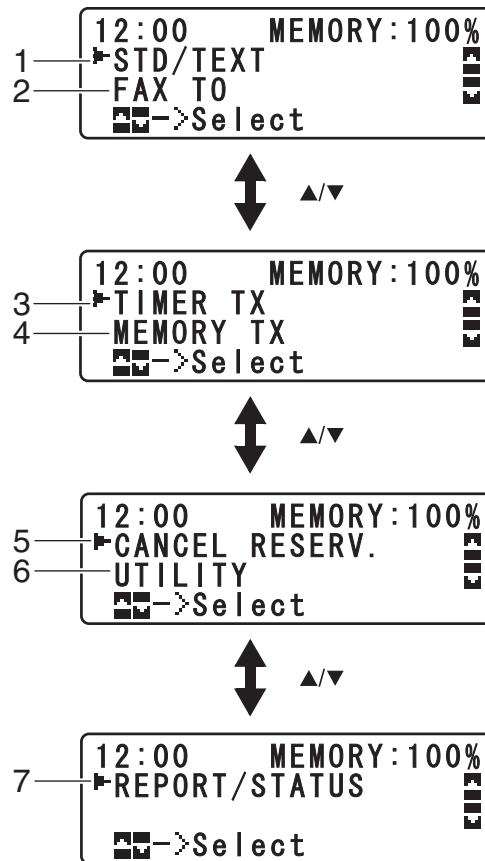
## Fax Mode Screen

### Main Screen



No.	Indication	Description
1	Time	Displays the time currently specified with ADMIN. MANAGEMENT/USER SETTING/DATE&TIME in the UTILITY menu.
2	Available memory	Indicates the percentage of memory available for fax operations.
3	Fax settings	Allows the current settings to be checked and the various settings to be changed. For details, refer to "Main Screen" on page 10.
4	Status	Depending on the situation, the machine status or an error message may appear.

☐ Fax settings



No.	Indication	Description
1	Fax quality	Indicates the fax quality that is selected. For details on selecting the fax quality, refer to the Printer/Copier/Scanner User's Guide and "Adjusting the Image Quality" on page 21.
2	Fax destination	Indicates the specified fax destination. For details on specifying the destination, refer to "Specifying a Recipient" on page 22 and "Specifying Multiple Recipients" on page 27.  <b>Note:</b> If no destination has been specified, FAX TO appears.
3	TIMER TX	Select this menu item to specify the time when the fax is to be sent. For details on specifying settings for a timer transmission, refer to "Sending a Fax at a Specified Time (Timer Transmission)" on page 30.
4	Transmission mode	Indicates the fax transmission mode that is selected. For details on the transmission modes, refer to the Printer/Copier/Scanner User's Guide and "Memory Transmission and Direct Transmission" on page 32.





No.	Indication	Description
5	CANCEL RESERV.	Select this menu item to display the list of jobs queued for transmission and to delete a job. For details, refer to "Canceling a Queued Transmission" on page 36.  <b>Note:</b> This menu item does not appear if a destination has been specified.
6	UTILITY	Select this menu item to change the various machine settings. For details, refer to "UTILITY Menu" on page 13.  <b>Note:</b> This menu item does not appear if a destination has been specified.
7	REPORT/STATUS	Select this menu item to view the total number of pages printed by this machine and the results of fax transmissions/receptions as well as to print reports. For details, refer to "Confirmation Mode" on page 62.  <b>Note:</b> This menu item does not appear if a destination has been specified.


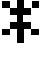



## Entering Fax Mode

Before using the Fax function, make sure that the **Fax** key lit green. Otherwise, press it to enter the Fax mode.

Pressing the **Redial/Pause** key or **On hook** key switches the machine to Fax mode when it is in any mode other than Fax mode.

## Symbol list

Symbol		Description
	Dialing	A fax number is being dialed.
	Ringing	The machine is being called.
	Sending	The document is being sent.
	Receiving	A document is being received.

Symbol		Description
	Number of scanning document pages	The number of scanning document pages appears next to the icon.
	Tone	If Pulse is selected as the telephone line type, press the * key to temporarily change the line type to Tone.
	Pause	A pause is inserted.
	Queued timer transmission or batch transmission	A document is queued for timer transmission or batch transmission.
	Memory reception	A document is queued for memory reception.

---

## UTILITY Menu

The machine settings can be changed according to the desired normal operations. For details on the menu settings, refer to the Printer/Copier/Scanner User's Guide.

---

## Specifying Settings in UTILITY Menu

### General Procedure for Specifying Settings in Utility Menu

1. Press the ▲ or ▼ key to select UTILITY, and then press the **Select** key.
2. Press the ▲ or ▼ key to select the desired menu, and then press the **Select** key to display the selected menu.

**Note:**

*Refer to the Printer/Copier/Scanner User's Guide to display the desired menu.*

3. To select a setting, press the ▲, ▼, ◀ or ▶ key.  
To enter a setting, use the keypad to type in the number.
4. Press the **Select** key.  
The setting is applied.

**Note:**

To cancel the settings, press the **Back** key.

## Memory Reception

Received faxes can be stored in the memory and printed at a specified time. This is convenient, for example, when confidential documents are received.

Memory reception can be used with the following settings.

- Start/end time settings: Not set  
MEMORY RX MODE function is normally set to **ON**. To print a fax saved in memory, set MEMORY RX MODE function to **OFF**.
- Start/end time settings: Set  
Memory reception mode begins and ends at the specified time.

Example 1: When On Time setting is set to 18:00 and OFF TIME setting is set to 8:00

- The machine is in memory reception mode from 18:00 to 8:00 and in normal reception mode, where faxes are printed after being received, from 8:00 to 18:00.

Example 2: When On Time setting is set to 12:00 and OFF TIME setting is set to 12:00 (the start time and end time are the same)

- MEMORY RX MODE function is normally set to **ON**; however, faxes saved in memory are printed at 12:00.

## Setting Up the Memory RX Mode

1. Press the **▲** or **▼** key to select **UTILITY**, and then press the **Select** key.

**Note:**

For details on selecting a menu, refer to “General Procedure for Specifying Settings in Utility Menu” on page 13.

2. Press the **▲** or **▼** key to select **FAX RX OPERATION**, and then press the **Select** key.
3. Check that **MEMORY RX MODE** is selected, and then press the **Select** key.
4. Using the **▲** or **▼** keys, select **ON**, and then press the **Select** key.

5. Use the keypad to type in the time when memory reception mode begins, and then press the **Select** key.

The ending time input box appears.

**Note:**

To specify no start time, press the **Select** key without specifying a time. The password input box appears. Continue with step 7.

6. Use the keypad to type in the time when memory reception mode ends, and then press the **Select** key.

The password input box appears.

7. Enter the password, and then press the **Select** key.

Memory reception mode is set.

**Note:**

- The password is required for turning off memory reception mode or changing the start/end times. Enter a 4-digit number.
- To specify no password, press the **Select** key without specifying a password.

## Turning Off the Memory RX Mode

1. Press the ▲ or ▼ key to select UTILITY, and then press the **Select** key.

**Note:**

For details on selecting a menu, refer to “General Procedure for Specifying Settings in Utility Menu” on page 13.

2. Press the ▲ or ▼ key to select FAX RX OPERATION, and then press the **Select** key.
3. Check that MEMORY RX MODE is selected, and then press the **Select** key.
4. Using the ▲ or ▼ keys, select OFF, and then press the **Select** key.

The password input box appears.

**Note:**

*If no password was specified, memory reception mode is canceled.*

5. Enter the password, and then press the **Select** key.

Memory reception mode is canceled.

**Note:**

*If faxes are saved in memory, printing of the faxes begins.*

## Specifying Forwarding Settings

1. Press the ▲ or ▼ key to select `UTILITY`, and then press the **Select** key.

**Note:**

*For details on selecting a menu, refer to “General Procedure for Specifying Settings in Utility Menu” on page 13.*

2. Press the ▲ or ▼ key to select `FAX RX OPERATION`, and then press the **Select** key.
3. Press the ▲ or ▼ key to select `FORWARD`, and then press the **Select** key.

The `FORWARD` setting appears.

4. Press the ▲ or ▼ key to select `ON` or `ON(PRINT)`, and then press the **Select** key.
5. Enter the destination, or select from the speed dial destinations.

**Note:**

*To select from the speed dial destinations, press the **Addressbook** key, type in the speed dial number, and then press the **Select** key.*

*An e-mail address can also be specified.*

6. Press the **Select** key.

The forwarding settings are specified.



## Chapter 3

# Sending Faxes

## Basic Fax Operation

This section contains basic information of fax transmission.

**Note:**

*Documents with the following paper sizes can be faxed.*

*Original size: A5/A4/Statement/Letter (when using the original glass)*

*Width: 140 to 216 mm*

*Length: 148 to 500 mm (when using the ADF)*

## Sending a Fax Using the ADF

If the ADF is used, original documents containing multiple pages can be automatically scanned.

**Note:**

- Do not load original documents that are bound together, for example, with paper clips or staples.*
- Do not load more than 35 sheets; otherwise an original document misfeed or damage to the document or machine may occur.*
- If the original document is not loaded correctly, it may not be fed in straight, or an original document misfeed or damage to the document may occur.*
- Do not open the ADF cover while documents loaded into the ADF are being scanned.*

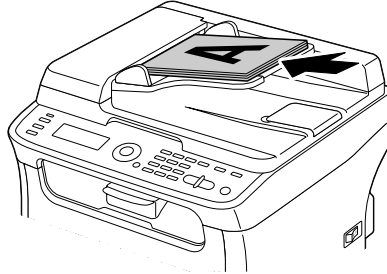
1. Press the **Fax** key to enter Fax mode.

**Note:**

*If the initial mode (UTILITY - MACHINE SETTING - INITIAL MODE) is set to FAX, this step can be skipped.*

2. Make sure that there is no document on the original glass.

- Put the document into the ADF document feed tray face up.



- Adjust the document guides to the document size.
- Adjust the document image quality.

**Note:**

*For details on adjusting the document image quality, refer to “Adjusting the Image Quality” on page 21.*

- Specify the fax number of the recipient in one of the following ways:
  - Direct dialing
  - Using the favorite list
  - Using the Speed Dial function
  - Using the Group Dial function
  - Using the Phone Book function
  - Using the **Redial/Pause** key

**Note:**

- For details on specifying the recipient, refer to “Specifying a Recipient” on page 22. For details on using the **Redial/Pause** key, refer to “Using the Redial Function” on page 27.*
- A transmission can also be sent to multiple recipients with the Broadcast function. For details on sending a broadcast transmission, refer to “Sending a Fax to Multiple Recipients (Broadcast Transmission)” on page 27.*

7. Press the **Start** key.  
The document is scanned, and then the fax is sent.

**Note:**

- To stop the transmission, press the **Stop/Reset** key. A message appears, requesting confirmation to cancel the setting. Select **YES**, and then press the **Select** key.
- If the fax could not be sent (for example, because the line was busy), the automatic redial function will try sending the transmission again.  
If the fax could not be sent with the automatic redial function, a TX Result Report can be printed. For details, refer to "TX RESULT REPORT" on page 64.
- If you want to cancel a scanned document queued for transmission or a fax waiting to be redialed, select **CANCEL RESERV.** from the menu. For details, refer to "Canceling a Queued Transmission" on page 36.
- If memory is nearly full, scanning of the document is stopped and a message appears, allowing you to select whether to start the transmission or cancel that transmission job. If the selection is made to cancel the job, the pages of the document that have been scanned for that job are deleted. If the selection is made to begin the transmission, transmission begins. After the scanned pages have been sent, scanning of the document starts again.

## **Sending a Fax Using the Original Glass**

1. Press the **Fax** key to enter Fax mode.

**Note:**

If the initial mode (UTILITY - MACHINE SETTING - INITIAL MODE) is set to FAX, this step can be skipped.

2. Remove all documents from the ADF.

**Note:**

If you are using the original glass to scan, do not load any documents into the ADF.

3. Lift to open the ADF cover.
4. Place the original document face down on the original glass and align the document on the scales above and to the left of the original glass.
5. Gently close the ADF cover.

**Note:**

*Closing it too quickly may cause the document to move on the original glass.*

6. Adjust the document image quality.

**Note:**

*For details on adjusting the document image quality, refer to “Adjusting the Image Quality” on page 21.*

7. Specify the fax number of the recipient in one of the following ways:

- Direct dialing
- Using the favorite list
- Using the Speed Dial function
- Using the Group Dial function
- Using the Phone Book functions
- Using the **Redial/Pause** key

**Note:**

- For details on specifying the recipient, refer to “Specifying a Recipient” on page 22. For details on using the **Redial/Pause** key, refer to “Using the Redial Function” on page 27.*
- A transmission can also be sent to multiple recipients with the Broadcast function. For details on sending a broadcast transmission, refer to “Sending a Fax to Multiple Recipients (Broadcast Transmission)” on page 27.*

8. Press the **Start** key.  
A screen appears, requesting confirmation of the scanning area.
9. To scan the displayed scanning area, press the **Select** key. The document is scanned.

**Note:**

*To change the displayed scanning area, press the ▲ or ▼ key, select the desired scanning area. Press the **Select** key again to start scanning.*

10. To scan multiple pages from the original glass, check that the message NEXT PAGE? appears, replace the document, and then press the **Select** key. When scanning of the document is finished, press the **Start** key.  
The document is scanned, and then the fax is sent.

**Note:**

- ❑ To stop the transmission, press the **Stop/Reset** key. A message appears, requesting confirmation to cancel the setting. Select **YES**, and then press the **Select** key.
- ❑ If the fax could not be sent (for example, because the line was busy), the automatic redial function will try sending the transmission again.  
If the fax could not be sent with the automatic redial function, a TX Result Report can be printed. For details, refer to "TX RESULT REPORT" on page 64.
- ❑ If you want to cancel a scanned document queued for transmission or a fax waiting to be redialed, select **CANCEL RESERV.** from the menu. For details, refer to "Canceling a Queued Transmission" on page 36.
- ❑ If memory is nearly full, scanning of the document is stopped and a message appears, allowing you to select whether to start the transmission or cancel that transmission job. If the selection is made to cancel the job, the pages of the document that have been scanned for that job are deleted. If the selection is made to begin the transmission, transmission begins. After the scanned pages have been sent, scanning of the document starts again.

---

## Adjusting the Image Quality

The image quality of a document can be adjusted before it is sent as a fax.

### Adjusting the Resolution

1. Press the **▲** or **▼** key to select the current fax image quality, and then press the **Select** key.

**Note:**

**STD/TEXT**, **FINE/TEXT**, **S-FINE/TEXT**, **STD/PHOTO**, **FINE/PHOTO** or **S-FINE/PHOTO** may appear, depending on the setting selected for **FAX TX OPERATION** in the **UTILITY** menu.

2. Check that **QUALITY<ORIGINAL>** is selected, and then press the **Select** key.
3. Press the **▲** or **▼** key to select the fax resolution, and then press the **Select** key.  
The resolution is adjusted.

**Note:**

Select the resolution appropriate for the document.

- ❑ **STD/TEXT**: Select this setting for documents containing handwriting or for computer printouts.

- FINE/TEXT: *Select this setting for documents containing small print.*
- S-FINE/TEXT: *Select this setting for documents containing small print, such as newspapers, and documents containing detailed illustrations.*
- STD/PHOTO: *Select this setting for photo documents containing regular photos.*
- FINE/PHOTO: *Select this setting for photo documents containing fine images.*
- S-FINE/PHOTO: *Select this setting for photo documents containing finer images.*

*The resolution returns to the default setting after the document is scanned with a normal transmission or after transmission after manual transmission. The default setting can be changed. This is useful for specifying a frequently used resolution setting as the default. For details, refer to the Printer/Copier/Scanner User's Guide.*

## Adjusting the Scan Density

1. Press the ▲ or ▼ key to select the current fax image quality, and then press the **Select** key.

### **Note:**

*STD/TEXT, FINE/TEXT, S-FINE/TEXT, STD/PHOTO, FINE/PHOTO or S-FINE/PHOTO may appear, depending on the setting selected for FAX TX OPERATION function in the UTILITY menu.*

2. Press the ▲ or ▼ key to select DENSITY, and then press the **Select** key.
3. Press the ◀ or ▶ key to select the scan density, and then press the **Select** key.  
The scan density is adjusted.

## Specifying a Recipient

The recipients can be specified in any of the following ways.

- Direct dialing: Directly type in the fax number.
- Using the favorite list: Recall a speed dial destination or group dial destination registered on the favorite list.
- Using the Speed Dial function: Specify a recipient registered with a speed dial.
- Using group dial numbers: Recall a registered group dial destination.

- ❑ Using the phone book functions: List or search for recipients registered as speed dial numbers or group dial numbers, and then select a recipient.
- ❑ Using the **Redial/Pause** key: Specify the number of the recipient dialed last.

## Directly Entering a Fax Number

1. Use the numeric keypad to type in the fax number for the recipient.

### Note:

- ❑ *The keys that can be used to enter the fax number are: the number keys (0 through 9), **\*** and **#**. If the **Redial/Pause** key is pressed while entering the fax number, a 2.5-second pause is added. A pause appears as **F** in the message window.*
  - ❑ *If the machine is connected to a PBX line and the prefix number (outside line access number) has been specified in the **COMM. SETTING**, enter “**#**” to dial the outside line access number automatically.*
  - ❑ *To erase the entered number, hold down the **Back** key for about one second, or press the **Stop/Reset** key.*
2. Press the **Select** key.
  3. Press the **▲** or **▼** key to select **FINISH**, and then press the **Select** key.

The destination is specified.

### Note:

*To erase the selected destinations, press the **Stop/Reset** key.*

## Using the Favorite List

If frequently specified speed dial destinations and group dial destinations are registered in the favorite list, press the **Addressbook** key, and then press the **▲** or **▼** key to quickly select the desired destination.

### Note:

*The destination must have been previously registered on the favorite list. For details, refer to “Registering Destinations in the Favorite List” on page 53.*

1. Press the **Addressbook** key.

**Note:**

The **Addressbook** key can be used if the main screen or `Can Use AddressBook` is displayed.

2. Press the ▲ or ▼ key to select the desired destination, and then press the **Select** key.

**Note:**

If a destination was incorrectly selected, press the **Back** key, press the **Addressbook** key, and then select the correct destination.

3. When `EDIT=Select` appears, press the **Select** key again.
4. Press the ▲ or ▼ key to select `FINISH`, and then press the **Select** key.

The destination is specified.

**Note:**

- If a group dial destination was selected, multiple destinations are specified.
- To erase the selected destinations, press the **Stop/Reset** key.

## Using the Speed Dial Function

If a recipient has been registered with a speed dial number, the recipient's fax number can be dialed simply by pressing a speed dial number key.

**Note:**

The recipient must have been registered with a speed dial in advance. For details, refer to "Registering a Speed Dial Destination" on page 55.

1. Press the **Addressbook** key 2 times.

**Note:**

The **Addressbook** key can be used if the main screen or `Can Use AddressBook` is displayed.

2. Use the keypad to type in the speed dial number (1-220), and then press the **Select** key.

**Note:**

- If a number was incorrectly entered, press the **Back** key, and then type in the correct number of the speed dial destination.



- ❑ *If the entered speed dial number is not registered with a fax number, the message NOT FAX NO. appears. In addition, if the entered speed dial number is not registered with a recipient, the message NOT REGISTERED! appears. Enter a speed dial number registered with a fax number.*

3. When EDIT>Select appears, press the **Select** key again.
4. Press the ▲ or ▼ key to select FINISH, and then press the **Select** key.

The destination is specified.

**Note:**

*To erase the selected destinations, press the **Stop/Reset** key.*

## Using the List Function of the Phone Book

If a recipient is registered with a speed dial number or a group dial number, the recipient can be found by using the List or Search function of the phone book.

Follow the procedure described below to search using the List function of the phone book.

1. Press the **Addressbook** key 4 times.

**Note:**

*The **Addressbook** key can be used if the main screen or Can Use AddressBook is displayed.*

2. Check that LIST is selected, and then press the **Select** key.  
The list of programmed speed dial numbers and group dial numbers is displayed.
3. Press the ▲ or ▼ key to select the desired destination, and then press the **Select** key.

**Note:**

*If a destination was incorrectly selected, press the **Back** key, and then perform the operation again from step 1.*

4. When EDIT>Select appears, press the **Select** key again.
5. Press the ▲ or ▼ key to select FINISH, and then press the **Select** key.

**Note:**

*To erase the selected destinations, press the **Stop/Reset** key.*

## Using the Search Function of the Phone Book

If a recipient is registered with a speed dial number or a group dial number, the recipient can be found by using the List or Search function of the phone book.

Follow the procedure described below to search using the Search function of the phone book.

1. Press the **Addressbook** key 4 times.

**Note:**

The **Addressbook** key can be used if the main screen or `Can Use AddressBook` is displayed.

2. Press the ▲ or ▼ key to select `SEARCH`, and then press the **Select** key.  
A screen appears, allowing you to enter the text to be searched for.
3. Using the keypad, enter the first few characters of the name programmed for the desired recipient.

**Note:**

Enter the name programmed in the speed dial number or the group dial number. For details on entering text, refer to "Entering Text" on page 74.

Text up to 10 characters long can be entered.

4. Press the **Select** key.  
The number of names beginning with the text entered in step 3 is displayed.

**Note:**

If no names beginning with the entered text are found, `NOT FOUND` is displayed.

5. Press the ▲ or ▼ key to select the desired destination, and then press the **Select** key.

**Note:**

If the desired recipient name does not appear in the search results, press the **Back** key twice to return to the screen allowing you to enter the text to be searched for, and then try searching for different text.

6. When `EDIT>Select` appears, press the **Select** key again.
7. Press the ▲ or ▼ key to select `FINISH`, and then press the **Select** key.

**Note:**

To erase the selected destinations, press the **Stop/Reset** key.

## Using the Redial Function

To send a fax to the last number dialed, press the **Redial/Pause** key to recall the fax number.

1. Press the **Redial/Pause** key. Check that the desired fax number appears in the message window.

---

## Specifying Multiple Recipients

A fax can be sent to multiple recipients in a single transmission. There are two methods for sending a fax to multiple recipients in a single transmission.

- Using group dial function
- Using Broadcast function

## Sending a Fax to Multiple Recipients (Broadcast Transmission)

Directly type in multiple destinations, or select from the favorite list, speed dial destinations or address book.

**Note:**

- A maximum of 236 destinations can be specified at one time.
- With the transmission result report, you can check whether the fax was sent to all recipients. For details on the transmission result report, refer to “Checking the Transmission/Reception Result From the Message Window” on page 63 and “About the Reports and Lists” on page 63.

1. Position the document to be faxed.
2. If desired, adjust the image quality.

**Note:**

The document image quality can be adjusted. For details, refer to “Adjusting the Image Quality” on page 21.

3. Specify the fax number of the recipient.
  - Direct dialing: Enter the fax number of the recipient directly using the keypad. Press the **Select** key.

- ❑ Using the favorite list (including group dial destinations): Press the **Addressbook** key, press the ▲ or ▼ key to select the number of the desired speed dial or group dial destination, and then press the **Select** key. Then, press the **Select** key again.
  - ❑ Using speed dial numbers: Press the **Addressbook** key 2 times, use the keypad to type in the number of the desired speed dial destination, and then press the **Select** key. Then, press the **Select** key again.
  - ❑ Using group dial numbers: Press the **Addressbook** key 3 times, use the keypad to type in the number of the desired group dial destination, and then press the **Select** key. Then, press the **Select** key again.
  - ❑ Using the address book: Press the **Addressbook** key 4 times, and then use the List function or Search function to search for the desired destination. (For details, refer to “Using the List Function of the Phone Book” on page 25 or “Using the Search Function of the Phone Book” on page 26.) Then, press the **Select** key.
4. To add a destination, check that **ADD** is selected, and then press the **Select** key. Repeat step 3 until all desired destinations are specified.
- ❑ To finish specifying destinations, select **FINISH**, and then press the **Select** key.
  - ❑ To check the specified destinations, select **CHECK/EDIT**. After checking the destinations, press the **Back** key.
  - ❑ To delete a destination, press the ▲ or ▼ key to select the destination to be deleted after selecting **CHECK/EDIT** to check the destinations, and then press the **Stop/Reset** key. When a message appears, requesting confirmation to delete the destination, select **YES**, and then press the **Select** key to delete the destination. After the destination is deleted, press the **Back** key.

**Note:**

The **Addressbook** key can be used if **Can Use AddressBook** is displayed.

5. Press the **Start** key.  
The document is scanned, and then the fax is sent.

**Note:**

To stop the transmission, press the **Stop/Reset** key. A message appears, requesting confirmation to cancel the setting. Select **YES**, and then press the **Select** key. If this is done, all selected recipients are cleared.

## **Sending a Fax to Multiple Recipients (Group Dial)**

Multiple destinations can be selected with a group dial destination.

**Note:**

*Multiple destinations must have been previously registered with a group dial destination. For details, refer to "Registering a Group Dial Destination" on page 58.*

1. Press the **Addressbook** key 3 times.

**Note:**

*The **Addressbook** key can be used if the main screen or Can Use AddressBook is displayed.*

2. Use the keypad to type in the group dial number (1-20), and then press the **Select** key.

**Note:**

*If a number was incorrectly entered, press the **Back** key, and then type in the correct number of the group dial destination.*

*If the entered group dial number is not registered with a fax number, the message NOT FAX NO. appears. In addition, if the entered group dial number is not registered with a recipient, the message NOT REGISTERED! appears. Enter a group dial number registered with a fax number.*

3. When EDIT=Select appears, press the **Select** key again.
4. Press the ▲ or ▼ key to select FINISH, and then press the **Select** key.

**Note:**

*To erase the selected destinations, press the **Stop/Reset** key.*

5. Press the **Start** key.  
The document is scanned, and then the fax is sent.

**Note:**

*To stop the transmission, press the **Stop/Reset** key. A message appears, requesting confirmation to cancel the setting. Select YES, and then press the **Select** key. If this is done, all selected recipients are cleared.*

## ***Sending a Fax at a Specified Time (Timer Transmission)***

A document can be scanned and stored in memory to be sent at a specified time. This feature is convenient for sending faxes at discounted calling times.

**Note:**

- When sending multiple documents together to a single destination at a specified time, batch transmission is useful since only a single connection is required.*
  - If the machine is not programmed with the current time, the fax cannot be sent at the specified time. For details on specifying the time, refer to the Printer/Copier/Scanner User's Guide.*
  - Timer transmission can be combined with broadcast transmission.*
1. Position the document to be faxed.
  2. If desired, adjust the image quality.

**Note:**

*The document image quality can be adjusted. For details, refer to "Adjusting the Image Quality" on page 21.*

3. Press the ▲ or ▼ key to select **TIMER TX**, and then press the **Select** key. The **TIMER TX SETTING** screen appears.
4. Using the keypad, enter the desired transmission time, and then press the **Select** key.

**Note:**

- The time is set in the 24-hour format.*
  - If you want to correct the time, press the **Back** key, and then enter the correct time.*
5. Specify the fax number of the recipient.

**Note:**

- Refer to "Specifying a Recipient" on page 22.*
- To send a broadcast transmission to multiple destinations, refer to "Sending a Fax at a Specified Time (Timer Transmission)" on page 30. After all recipients have been specified, press the **Start** key to begin scanning. After scanning is finished, the machine will enter a standby state.*
- If the specified speed dial number is registered with batch transmission settings, the fax will be sent at the time specified for the batch transmission.*

6. Press the **Start** key to begin scanning, and then the machine enters transmission standby mode.

**T** appears in the screen when the machine is in standby mode.

**Note:**

*If you want to cancel a timer transmission, select CANCEL RESERV . . For details, refer to “Canceling a Queued Transmission” on page 36.*

---

## Sending a Batch Transmission

Multiple documents can be scanned and stored in the memory of this machine to be sent together to a single destination at a specified time.

**Note:**

*From the UTILITY menu, batch transmission settings (transmission time) must have been registered with a speed dial number in advance. For details, refer to “Using the Speed Dial Function” on page 24.*

1. Position the document to be faxed.
2. If desired, adjust the image quality.

**Note:**

*For details, refer to “Adjusting the Image Quality” on page 21.*

3. Select destinations for the batch transmission from the favorite list, or specify their speed dial number.

**Note:**

*For details on selecting destinations from the favorite list, refer to “Using the Favorite List” on page 23.*

*For details on specifying destinations by their speed dial number, refer to “Using the Speed Dial Function” on page 24.*

4. Press the **Start** key to begin scanning, and then the machine enters transmission standby mode.

**T** appears in the screen when the machine is in standby mode.

**Note:**

To cancel a batch transmission, select **CANCEL RESERV.** For details, refer to "Canceling a Queued Transmission" on page 36.

---

## Memory Transmission and Direct Transmission

There are two methods for sending documents with this machine: memory transmission and direct transmission.

### Memory Transmission

With this method, the fax transmission starts after the entire document is scanned and stored in the memory. The total number of pages is automatically printed with the page number in the header. However, the memory may become full if there are many pages in the document or if the data is large due to the fine image quality (resolution).

### Direct Transmission

With this method, the transmission is performed in real time in the transmission sequence of the destinations. If there are many pages in the document, the fax can be sent with this method without the memory becoming full.

**Note:**

- As a default, **MEMORY TX** (memory transmission) is selected. The default setting can be changed from the **UTILITY** menu. For details, refer to the *Printer/Copier/Scanner User's Guide*.
- Direct transmission cannot be used together with duplex (double-sided) document transmission.

## Changing the Transmission Method

The transmission method can be temporarily changed from the default setting.

1. Position the document to be faxed.
2. If desired, adjust the image quality.



**Note:**

The document image quality can be adjusted. For details, refer to "Adjusting the Image Quality" on page 21.

3. Press the ▲ or ▼ key to select the current transmission method, and then press the **Select** key. The TX MODE screen appears.

**Note:**

If memory transmission has been specified as the default, MEMORY TX appears. If direct transmission has been specified as the default, DIRECT TX appears.

4. Press the ▲ or ▼ key to select the desired transmission method, and then press the **Select** key.
5. Specify the fax number of the recipient.

**Note:**

Refer to "Specifying a Recipient" on page 22.

To send a broadcast transmission to multiple destinations, refer to "Sending a Fax to Multiple Recipients (Broadcast Transmission)" on page 27.

6. Press the **Start** key to begin scanning and sending the fax.

**Note:**

To stop the transmission, press the **Stop/Reset** key. A message appears, requesting confirmation to cancel the setting. Select YES, and then press the **Select** key.

The transmission method returns to the default setting after the document is scanned with a normal transmission or after transmission with a manual transmission. It is useful if the most frequently used transmission method is selected as the default. For details, refer to the Printer/Copier/Scanner User's Guide.

---

## **Sending a Fax Manually**

### **Sending a Fax Manually After Using the Telephone**

If the machine is connected to a telephone and the same line is used for both phoning and faxing, the document can simply be sent after talking with the recipient over the phone.

This is useful, for example, if you want to tell the recipient that you are sending a fax.

**Note:**

*Manual transmission cannot be used together with duplex (double-sided) document transmission.*

1. Load the document into the ADF.

**Note:**

*When sending a fax manually, load the document into the ADF. An error will occur if the document is placed on the original glass.*

*For details on loading the document into the ADF, refer to “Sending a Fax Using the ADF” on page 17.*

2. If desired, adjust the image quality.

**Note:**

*The document image quality can be adjusted. For details, refer to “Adjusting the Image Quality” on page 21.*

3. Pick up the handset and check that the dial tone can be heard.
4. Specify the fax number of the recipient by using the telephone to dial the fax number.

**Note:**

*The fax number of the recipient can also be specified using the keypad in the control panel of this machine.*

*If Pulse is selected as the telephone line type, press the \* key to temporarily change the line type to Tone.*

5. After finishing talking on the phone, the recipient should press the necessary key to start receiving the fax.

Once the recipient's fax machine is ready, a beep is sounded.

6. Press the **Start** key to begin scanning and sending the fax.
7. Replace the handset to its cradle.

**Note:**

*To stop the transmission, press the **Stop/Reset** key. A message appears, requesting confirmation to cancel the setting. Select YES, and then press the **Select** key.*

## **Sending a Fax Manually Using the On hook Key**

**Note:**

Manual transmission cannot be used together with duplex (double-sided) document transmission.

1. Load the document into the ADF.

**Note:**

- When sending a fax manually, load the document into the ADF. An error will occur if the document is placed on the original glass.
- For details on loading the document into the ADF, refer to “Sending a Fax Using the ADF” on page 17.

2. If desired, adjust the image quality.

**Note:**

The document image quality can be adjusted. For details, refer to “Adjusting the Image Quality” on page 21.

3. Press the **On hook** key.
4. Specify the fax number of the recipient.

**Note:**

- The keys for registered destinations can be used even if the **On hook** key has been pressed. For details, refer to “Specifying a Recipient” on page 22. (Group dial destinations cannot be specified.)
- If Pulse is selected as the telephone line type, press the **\*** key to temporarily change the line type to Tone.

5. Press the **Start** key to begin scanning and sending the fax.

**Note:**

To stop the transmission, press the **Stop/Reset** key. A message appears, requesting confirmation to cancel the setting. Select **YES**, and then press the **Select** key.

---

## **Sending a Fax to a Combination of Fax Numbers (Chain Dial)**

Multiple fax numbers can be combined to specify the recipients. This is called “chain dialing”.

For example, if the phone number and the extension number of a recipient are registered as different speed dial destinations, the fax number of the recipient can be specified by combining the two numbers.

1. Position the document to be faxed.
2. If desired, adjust the image quality.

**Note:**

*The document image quality can be adjusted. For details, refer to “Adjusting the Image Quality” on page 21.*

3. Press the **On hook** key.
4. Directly type in the first number, or select it from the favorite list or speed dial destinations.

**Note:**

*Refer to “Specifying a Recipient” on page 22.*

5. Directly type in the second number, or select it from the favorite list or speed dial destinations.
6. Press the **Start** key to begin scanning and sending the fax.

**Note:**

*To stop the transmission, press the **Stop/Reset** key. A message appears, requesting confirmation to cancel the setting. Select **YES**, and then press the **Select** key.*

---

## Canceling a Queued Transmission

Of the documents stored in memory and waiting to be sent, a specific document can be selected and deleted.

1. Press the ▲ or ▼ key to select **CANCEL RESERV.**, and then press the **Select** key. The **CANCEL RESERV.** screen appears.

**Note:**

*If no jobs have been queued in memory, the message **NONE** appears.*

2. Using the ▲ or ▼ key, select the job to be deleted.

**Note:**

The following types of job are displayed.

- MEMORY: Normal transmission queued in memory
- BROADCAST: Broadcast transmission
- TIMER TX: Timer transmission (fax)
- FORWARD: Forwarding transmission

To check the recipients for the currently displayed broadcast transmission job, press the **▶** key. After checking, press the **Back** key to return to the previous screen.

3. Press the **Select** key.  
A message requesting confirmation to delete the job appears.
4. Check that **YES** is selected, and then press the **Select** key.  
The job is deleted.

---

## About the Fax Header

If transmission source information is set in Header setting to be printed, information such as the sender's name, fax number, transmission date/time, session number and page number can be printed by the recipient.

The following items in the header.

Element	Description
Transmission date/ time	Shows the date/time that the fax was sent. The time is indicated in the 24-hour format.
Fax number	Shows the sender's fax number.
Sender's name	Shows the sender's name.
Session number	Shows the session number used to manage the sent fax.

Element	Description
Page number	<p data-bbox="486 306 754 336">Shows the page number.</p> <p data-bbox="486 353 991 383">Shown as page number/total number of pages.</p> <p data-bbox="486 402 552 431"><b>Note:</b></p> <p data-bbox="486 431 1442 493">With a transmission using the telephone or the <b>On hook</b> key or with a direct transmission, multiple pages are not shown.</p>

**Note:**

*To print the header, specify the transmission source settings with ADMIN . MANAGEMENT /USER SETTING in the UTILITY menu, and then set FAX TX OPERATION/HEADER to ON. For details, refer to the Printer/Copier/Scanner User's Guide.*

## Chapter 4

---

### **Faxing From a Computer (PC-FAX)**

---

#### **Sending a Fax Directly From a Computer (PC-FAX)**

A fax can be sent directly from a computer through USB or Network, instead of the computer document being printed, then loaded to be faxed.

**Note:**

- In order to perform a PC-FAX operation, the fax driver must be installed. For details on installing the driver, refer to the Setup Guide.*
- The fax driver is not compatible with IPP (Internet Printing Protocol).*

---

### **PC-FAX Settings**

#### **Common Buttons**

The buttons described below appear on each tab.

- OK:** Click to exit the Printing Preferences dialog box, saving any changes made.
- Cancel:** Click to exit the Printing Preferences dialog box without saving any changes made.
- Apply:** Click to save all changes without exiting the Printing Preferences dialog box.
- Help:** Click to view the help.

#### **Settings Tab**

The Settings tab allows you to

- Specify the paper size
- Specify the paper orientation
- Specify the resolution

## Sender Information Tab

The Sender Information tab allows you to

- Enter sender information (for example, the sender name and sender fax number)

## Address Book Tab

The Address Book tab allows you to

- Register frequently used destinations
- Register multiple frequently used destinations
- Edit/delete recipient information
- Import/export recipient information

---

## Basic PC-FAX Transmissions

1. Click **Print** in the menu of the document to be faxed.  
A dialog box appears, allowing you to specify the print settings.
2. Select **EPSON AL-CX16NF (FAX)** as the printer.
3. Click the **Print** button.  
The Destination Settings dialog box appears.

**Note:**

*The names of buttons that appear differ depending on the application.*

4. In the **Destination Settings** tab, specify the destination.
  - When directly typing in the fax number of the recipient, enter the information in the **Name** and **Fax Number** boxes under **User/Group List**.
  - When selecting the recipient fax number from the address book, click the desired recipient in the list.
5. Click the > button.  
The recipient moves under **Destination List**.



**Note:**

- The fax will be sent to all destinations displayed under **Destination List**.*
  - To remove a destination from under **Destination List**, click the < button.*
6. Click the **Cover Sheet** tab.
  7. Under **Select Cover Sheet**, select the desired cover page format.
  8. If **Select Cover Sheet** is set to any setting other than **No Cover Sheet**, settings can be specified for the following.
    - To insert an image in the cover page, select the **Insert Image** check box, and then specify settings for the following.
      - Zoom:** Specify the size of the image.
      - X:** Specify the horizontal position of the image.
      - Y:** Specify the vertical position of the image.
    - Under **Cover Sheet Information**, select the information to be printed on the cover page.
      - Subject:** A subject can be printed on the fax. Type the subject in the text box.
      - Destination List :** The recipient of the fax transmission can be printed.
      - Sender:** The information for the sender of the fax can be printed. The PC-FAX settings specified on the **Sender Information** tab are printed. Click the **Edit** button to change the information in the dialog box that appears.
      - Date/Time:** The date and time of the fax transmission can be printed.
  9. Click the **OK** button.  
The PC-FAX transmission is sent.

---

## **Uninstalling the FAX Driver (for Windows)**

This section describes how to uninstall the fax driver, if necessary.

**Note:**

- You must have administrator privileges in order to uninstall the fax driver.*
  - If the User Account Control window appears when uninstalling on Windows Vista, click the **Allow** button or the **Continue** button.*
1. Close all applications.

2. Choose Uninstall Program.
3. When the Uninstall dialog box appears, select the printer to be deleted, and then click **Uninstall** button.
4. The printer driver will be uninstalled from your computer.

## Chapter 5

### Receiving Faxes

---

#### Receiving Faxes Automatically

---

**Note:**

- ❑ *When the machine is turned off, faxes cannot be received. Therefore, be sure to leave the machine turned on.*
- ❑ *To print a received fax, change the paper type to PLAIN PAPER and the paper size to A4, LEGAL, LETTER or OFICIO.*

If the RX Mode parameter on the FAX RX OPERATION menu is set to AUTO RX, no special operation is needed in order to receive the fax. Reception begins after the specified number of rings.

**Note:**

- ❑ *If the RX Mode parameter on the FAX RX OPERATION menu is set MANUAL RX, the fax is not received automatically. For details, refer to the Printer/Copier/Scanner User's Guide.*
- ❑ *If MEMORY RX MODE function is set to ON, printing does not begin automatically after the fax is received. A received document is saved in memory and is printed at the time specified for MEMORY RX MODE function. In addition, if MEMORY RX MODE function is set to OFF, the fax is printed. For details on MEMORY RX MODE function in the UTILITY menu, refer to the Printer/Copier/Scanner User's Guide. For details on specifying the settings for MEMORY RX MODE function, refer to "Setting Up the Memory RX Mode" on page 14.*
- ❑ *This machine does not support polling reception.*

#### Receiving Faxes Manually

---

**Note:**

- ❑ *When the machine is turned off, faxes cannot be received. Therefore, be sure to leave the machine turned on.*
- ❑ *To print a received fax, change the paper type to PLAIN PAPER and the paper size to A4, LEGAL, LETTER or OFICIO.*

If a telephone is connected to this machine and the same line is used for phoning and faxing, the fax can be received after picking up the handset.

1. After the telephone rings, pick up the handset.

**Note:**

*If RX MODE setting on the FAX RX OPERATION menu is set to MANUAL FAX, the machine will continue ringing whether the call is being received from a fax machine or a telephone.*

2. Press the **Start** key.

The machine starts receiving the fax.

**Note:**

- If the machine is in any mode other than Fax mode, press the **Fax** key to enter Fax mode before pressing the **Start** key.*
- After completing the telephone conversation, press the **Start** key to begin receiving the fax.*
- If the handset is picked up and the call is being received from a fax machine, press the **Start** key to begin receiving the fax.*

3. Replace the handset to its cradle.

---

## **Forwarding Received Faxes**

With forwarding, the received document is sent to the destination specified with this machine.

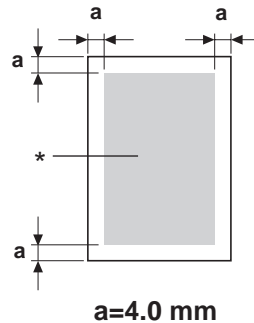
A fax number or e-mail address can be specified as the forwarding destination.

**Note:**

*For details on specifying the forwarding destination, refer to "Specifying Forwarding Settings" on page 16.*

## Printing Received Faxes

### Printable Area



\* Printable Area

The printable area on all media sizes is up to 4.0 mm (0.157") from the edges of the media.

Each media size has a specific printable area (the maximum area on which the machine can print clearly and without distortion).

This area is subject to both hardware limits (the physical media size and the margins required by the machine) and software constraints (the amount of memory available for the full-page frame buffer). The printable area for all media sizes is the page size minus 4.0 mm (0.157") from all edges of the media.

**Note:**

*When printing in color on legal-size media, the bottom margin is 16.0 mm (0.63").*

### Adding the Sender's Information When Printing Faxes

If FOOTER setting in the UTILITY menu is set to ON, information such as the sender's fax number, reception date/time, session number and page number can be printed 4.0 mm (0.157") from the bottom edge of the fax that is received and printed.

The following items in the footer.

Item	Description
This machine's fax number	Shows the fax number specified for this machine with ADMIN. MANAGEMENT/USER SETTING in the UTILITY menu.
Reception date/time	Shows the date/time that the fax was received. The time is indicated in the 24-hour format.
Sender's fax number	Shows the sender's fax number.
Session number	Shows the session number used to manage the received fax.
Page number	Shows the page number.

**Note:**

To print the footer, set FAX RX OPERATION/FOOTER to ON. For details, refer to the Printer/Copier/Scanner User's Guide.

**Method of printing during reception**

The relationship between the length of the received document and the document that is actually printed is shown below.

The document is printed differently depending on the setting selected for the REDUCTION RX parameter on the FAX RX OPERATION menu.

**REDUCTION RX: ON****Note:**

Images are only reduced in the vertical direction.

Recording paper size	Footer	Length of received image [mm]	Printing
A4	OFF	Less than 289	1 page with 100%
		290 – 313	1 page with (289/image length)% reduction
		314 – 570	Divide into 2 pages with 100%
		571 – 851	Divide into 3 pages with 100%
		852 -	Divide into 4 pages with 100%....
	ON	Less than 285	1 page with 100%
		286 – 309	1 page with (285/image length)% reduction
		310 – 562	Divide into 2 pages with 100%
		563 – 839	Divide into 3 pages with 100%
		840 -	Divide into 4 pages with 100%....
Letter	OFF	Less than 271	1 page with 100%
		272 – 295	1 page with (271/image length)% reduction
		296 – 534	Divide into 2 pages with 100%
		535 – 797	Divide into 3 pages with 100%
		798 -	Divide into 4 pages with 100%....
	ON	Less than 267	1 page with 100%
		268 – 291	1 page with (267/image length)% reduction
		292 – 526	Divide into 2 pages with 100%
		527 – 785	Divide into 3 pages or more
		786 -	Divide into 4 pages with 100%....

Recording paper size	Footer	Length of received image [mm]	Printing
Legal	OFF	Less than 348	1 page with 100%
		349 – 371	1 page with (347/image length)% reduction
		372 – 688	Divide into 2 pages with 100%
		689 – 1028	Divide into 3 pages with 100%
		1029 -	Divide into 4 pages with 100%....
	ON	Less than 344	1 page with 100%
		345 – 367	1 page with (343/image length)% reduction
		368 – 680	Divide into 2 pages with 100%
		681 – 1016	Divide into 3 pages with 100%
		1017 -	Divide into 4 pages with 100%....
Oficio	OFF	Less than 335	1 page with 100%
		336 – 359	1 page with (335/image length)% reduction
		360 – 662	Divide into 2 pages with 100%
		663 – 989	Divide into 3 pages with 100%
		990 -	Divide into 4 pages with 100%....
	ON	Less than 331	1 page with 100%
		332 – 355	1 page with (331/image length)% reduction
		356 – 654	Divide into 2 pages with 100%
		655 – 977	Divide into 3 pages with 100%
		978	Divide into 4 pages with 100%....



**REDUCTION RX: OFF**

Recording paper size	Footer	Length of received image [mm]	Printing
A4	OFF	Less than 289	1 page
		290 – 570	Divide into 2 pages
		571 – 851	Divide into 3 pages
		852 -	Divide into 4 pages or more
	ON	Less than 285	1 page
		286 – 562	Divide into 2 pages
		563 – 839	Divide into 3 pages
		840 -	Divide into 4 pages or more
Letter	OFF	Less than 271	1 page
		272 – 534	Divide into 2 pages
		535 – 797	Divide into 3 pages
		798 -	Divide into 4 pages or more
	ON	Less than 267	1 page
		268 – 526	Divide into 2 pages
		527 – 785	Divide into 3 pages
		786 -	Divide into 4 pages or more
Legal	OFF	Less than 348	1 page
		349 – 688	Divide into 2 pages
		689 – 1028	Divide into 3 pages
		1029 -	Divide into 4 pages or more
	ON	Less than 344	1 page
		345 – 680	Divide into 2 pages
		681 – 1016	Divide into 3 pages
		1017 -	Divide into 4 pages or more

Recording paper size	Footer	Length of received image [mm]	Printing
Oficio	OFF	Less than 335	1 page
		356 – 662	Divide into 2 pages
		663 – 989	Divide into 3 pages
		990 -	Divide into 4 pages or more
	ON	Less than 331	1 page
		332 – 654	Divide into 2 pages
		655 – 977	Divide into 3 pages
		978 -	Divide into 4 pages or more

**REDUCTION RX: CUT**

**Note:**

*If an image does not fit within a page, any part of the image exceeding 24 mm is cut off and printed on the next page.*

Recording paper size	Footer	Length of received image [mm]	Printing
A4	OFF	Less than 289	1 page
		290 – 313	Print into 1 page. 1-24mm of end is cut.
		314 – 570	Divide into 2 pages
		571 – 594	Divide into 2 pages. 1-24mm of end is cut.
		595 – 851	Divide into 3 pages
		852 -	Divide into 3 pages....
	ON	Less than 285	1 page
		286 – 309	Print into 1 page. 1-24mm of end is cut.
		310 – 562	Divide into 2 pages
		563 – 586	Divide into 2 pages. 1-24mm of end is cut.
		587 – 839	Divide into 3 pages
		840 -	Divide into 3 pages....

Recording paper size	Footer	Length of received image [mm]	Printing
Letter	OFF	Less than 271	1 page
		272 – 295	Print into 1 page. 1-24mm of end is cut.
		296 – 534	Divide into 2 pages
		535 – 558	Divide into 2 pages. 1-24mm of end is cut.
		559 – 797	Divide into 3 pages
		798 -	Divide into 3 pages....
	ON	Less than 267	1 page
		268 – 291	Print into 1 page. 1-24mm of end is cut.
		292 – 526	Divide into 2 pages
		527 – 550	Divide into 2 pages. 1-24mm of end is cut.
		551 – 785	Divide into 3 pages
		786 -	Divide into 3 pages....
Legal	OFF	Less than 348	1 page
		349 – 371	Print into 1 page. 1-24mm of end is cut.
		372 – 688	Divide into 2 pages
		689 – 712	Divide into 2 pages. 1-24mm of end is cut.
		713 – 1028	Divide into 3 pages
		1029 -	Divide into 3 pages....
	ON	Less than 344	1 page
		345 – 368	Print into 1 page. 1-24mm of end is cut.
		369 – 680	Divide into 2 pages
		681 – 704	Divide into 2 pages. 1-24mm of end is cut.
		705 – 1016	Divide into 3 pages
		1017 -	Divide into 3 pages....

<b>Recording paper size</b>	<b>Footer</b>	<b>Length of received image [mm]</b>	<b>Printing</b>
Oficio	OFF	Less than 335	1 page
		336 – 359	Print into 1 page. 1-24mm of end is cut.
		360 – 662	Divide into 2 pages
		663 – 686	Divide into 2 pages. 1-24mm of end is cut.
		687 – 989	Divide into 3 pages
		990 -	Divide into 3 pages....
	ON	Less than 331	1 page
		332 – 355	Print into 1 page. 1-24mm of end is cut.
		356 – 654	Divide into 2 pages
		655 – 678	Divide into 2 pages. 1-24mm of end is cut.
		679 – 977	Divide into 3 pages
		978 -	Divide into 3 pages....

## Chapter 6

# Registering Recipients

---

## About the Dial Register Function

---

Frequently used fax numbers can be registered with the DIAL REGISTER function so that the fax number can be easily accessed. In addition, this reduces input errors.

The following registration methods are available:

- ❑ **Favorite:** Frequently used speed dial and group dial destinations can be registered on the favorite list to allow the fax number to quickly be recalled. For details on registering destinations, refer to “Favorite List” on page 53.
- ❑ **Speed Dial:** Fax numbers can be registered as speed dial destinations. When sending a fax transmission, type in the speed dial number to recall the fax number. For details on registering destinations, refer to “Speed Dialing” on page 55.
- ❑ **Group Dial:** Multiple destinations can be registered together as a group dial destination. When sending a fax transmission, type in the group dial number to recall fax numbers for a broadcast transmission. For details on registering destinations, refer to “Group Dialing” on page 58.

**Note:**

*When registering destinations as speed dial or group dial destinations, use the Search function to search for the recipients. For details on using the Search Function, refer to “Using the List Function of the Phone Book” on page 25 and “Using the Search Function of the Phone Book” on page 26.*

---

## Favorite List

### Registering Destinations in the Favorite List

Frequently used speed dial and group dial destinations can be registered on the favorite list to allow the fax number to quickly be recalled. A maximum of 20 destinations can be registered on the favorite list.

**Note:**

*Before registering destinations in the favorite list, register them as speed dial or group dial destinations.*

1. Press the ▲ or ▼ key to select **UTILITY**, and then press the **Select** key.

**Note:**

*For details on selecting a menu, refer to “General Procedure for Specifying Settings in Utility Menu” on page 13.*

2. Press the ▲ or ▼ key to select **DIAL REGISTER**, and then press the **Select** key.
3. Check that **FAVORITE** is selected, and then press the **Select** key.  
The **FAVORITE** screen appears.

**Note:**

*When registering the first destination in the favorite list, continue with step 5.*

4. Check that **ADD** is selected, and then press the **Select** key.
5. Type in the speed dial number (1-220), and then press the **Select** key.
  - To program a group dial number, press the **Addressbook** key, type in the group dial number (1-20), and then press the **Select** key.

**Note:**

*If a destination is already registered in the favorite list, select **ADD**, and then press the **Select** key to display a screen for entering the speed dial number.*

*For details on entering/editing text and the characters that can be entered, refer to “Entering Text” on page 74.*

6. Press the **Select** key again.
7. Press the ▲ or ▼ key to select **FINISH**, and then press the **Select** key.
  - To add another destination to the favorite list, select **ADD**, press the **Select** key, and then repeat steps 4 through 6.  
The destination is registered in the favorite list.

**Note:**

*To return to the Fax mode screen, continue pressing the **Back** key until the Fax mode screen appears, or press the **Stop/Reset** key.*

## Deleting Destinations from the Favorite List

A destination registered in the favorite list can be deleted.

1. Press the ▲ or ▼ key to select `UTILITY`, and then press the **Select** key.

**Note:**

*For details on selecting a menu, refer to “General Procedure for Specifying Settings in Utility Menu” on page 13.*

2. Press the ▲ or ▼ key to select `DIAL REGISTER`, and then press the **Select** key.
3. Check that `FAVORITE` is selected, and then press the **Select** key.  
The `FAVORITE` screen appears.
4. Press the ▲ or ▼ key to select `CHECK/EDIT`, and then press the **Select** key.
5. Press the ▲ or ▼ key to select the destination to be deleted, and then press the **Stop/Reset** key.
6. Check that `YES` is selected, and then press the **Select** key.
7. Press the **Back** key.

**Note:**

*To delete another destination, repeat the procedure from step 5.*

8. Press the ▲ or ▼ key to select `FINISH`, and then press the **Select** key.  
The destination is deleted from the favorite list.

**Note:**

*To return to the Fax mode screen, continue pressing the **Back** key until the Fax mode screen appears, or press the **Stop/Reset** key.*

---

## Speed Dialing

### Registering a Speed Dial Destination

Frequently specified fax numbers (maximum of 220) can be registered as speed dial destinations. In addition, batch transmission settings can be specified.

1. Press the ▲ or ▼ key to select `UTILITY`, and then press the **Select** key.

**Note:**

*For details on selecting a menu, refer to “General Procedure for Specifying Settings in Utility Menu” on page 13.*

2. Press the ▲ or ▼ key to select `DIAL REGISTER`, and then press the **Select** key.
3. Press the ▲ or ▼ key to select `SPEED DIAL`, and then press the **Select** key.  
The `SPEED DIAL` screen appears.
4. Use the keypad to type in the speed dial number (1-220), and then press the **Select** key.

**Note:**

*If LDAP search settings have been specified, a screen allowing `MANUAL SETTING` or `LDAP SEARCH` to be selected appears after the **Select** key is pressed. Select `MANUAL SETTING`, and then press the **Select** key.*

*For details on entering/editing numbers, refer to “Entering Text” on page 74.*

*If the destination is already registered with the specified speed dial number, `REGISTERED!` appears. Press the **Back** key to return to the `DIAL REGISTER` screen, and then continue with step 3.*

5. Enter the name of the speed dial destination to be registered, and then press the **Select** key.

**Note:**

*Text up to 20 characters long can be entered for the name.*

*For details on entering/editing text and the characters that can be entered, refer to “Entering Text” on page 74.*

6. Use the keypad to enter the fax number of the recipient.

**Note:**

*The fax number can contain a maximum of 50 characters.*

*For details on entering/editing numbers, refer to “Entering Text” on page 74.*

7. Press the ▼ key.
8. Press the ▲ or ▼ key to select an item whose settings have already been specified.



- ❑ To specify batch transmission settings, select `BATCH TIME`, press the **Select** key, and then continue with step 9.
  - ❑ To specify the modem speed, select `MODEM SPEED`, press the **Select** key, and then continue with step 10.
9. Use the keypad to type in the batch transmission time, and then press the **Select** key. The batch transmission settings are specified. Continue with step 11.

**Note:**

*For details on entering/editing text and the characters that can be entered, refer to “Entering Text” on page 74.*

10. Press the ▲ or ▼ key to select the desired modem speed, and then press the **Select** key. The modem speed is specified. Continue with step 11.

**Note:**

*If a transmission error occurs, select 14.4 or 9.6 for the modem speed.*

11. Press the **Back** key.
12. Press the **Select** key. The entered information is registered with the speed dial number.

**Note:**

*To return to the Fax mode screen, continue pressing the **Back** key until the Fax mode screen is displayed.*

## **Changing/Deleting Speed Dial Information**

The registered speed dial information can be changed.

1. Press the ▲ or ▼ key to select `UTILITY`, and then press the **Select** key.

**Note:**

*For details on selecting a menu, refer to “General Procedure for Specifying Settings in Utility Menu” on page 13.*

2. Press the ▲ or ▼ key to select `DIAL REGISTER`, and then press the **Select** key.
3. Press the ▲ or ▼ key to select `SPEED DIAL`, and then press the **Select** key. The `SPEED DIAL` screen appears.

4. Use the keypad to type in the speed dial number (1-220) to be edited/deleted, and then press the **Select** key.

**Note:**

*For details on entering/editing text and the characters that can be entered, refer to "Entering Text" on page 74.*

5. Press the ▲ or ▼ key to select **EDIT** or **DELETE**, and then press the **Select** key.
  - If **EDIT** was selected, the name is displayed. Continue with step 6.
  - If **DELETE** was selected, the settings registered with the speed dial number are deleted. This completes the procedure when it is deleted.
6. If desired, edit the name, fax number, modem speed and batch transmission settings, and then press the **Select** key.  
The edited information is registered with the speed dial number.

**Note:**

- If the edited speed dial destination is registered in the favorite list, with a group dial destination or as forwarding settings, a message appears, requesting confirmation to leave the edited speed dial destination registered as it is. To leave it registered as it is, select **YES**. To not leave it registered as it is, select **NO**. Then, press the **Select** key.*
- If a document is queued in the memory for a batch transmission and the batch transmission time is changed, the document in the memory will be sent at the time before the setting was changed.*
- For details on editing text, refer to "Entering Text" on page 74.*

---

## **Group Dialing**

### **Registering a Group Dial Destination**

Fax numbers frequently specified for broadcast transmission can be registered as a group dial destination. A maximum of 50 destinations can be registered together as one group.

**Note:**

*Before registering a group dial destination, register the destinations as speed dial destinations.*

1. Press the ▲ or ▼ key to select **UTILITY**, and then press the **Select** key.

**Note:**

For details on selecting a menu, refer to “General Procedure for Specifying Settings in Utility Menu” on page 13.

2. Press the ▲ or ▼ key to select DIAL REGISTER, and then press the **Select** key.
3. Press the ▲ or ▼ key to select GROUP DIAL, and then press the **Select** key.  
The GROUP DIAL screen appears.
4. Use the keypad to type in the group dial number (1-20), and then press the **Select** key.

**Note:**

- For details on entering/editing numbers, refer to “Entering Text” on page 74.
  - If the destination is already registered with the specified group dial number, REGISTERED! appears. Press the **Back** key to return to the DIAL REGISTER screen, and then continue with step 3.
5. Enter the name of the group dial destination to be registered, and then press the **Select** key.

**Note:**

- Text up to 20 characters long can be entered for the name.
  - For details on entering/editing text and the characters that can be entered, refer to “Entering Text” on page 74.
6. Use the keypad to type in the speed dial number to be registered with the group dial destination, and then press the **Select** key.

**Note:**

- To program a group dial number registered with a group dial destination, press the **Addressbook** key, type in the group dial number and then press the **Select** key.
  - For details on entering/editing text and the characters that can be entered, refer to “Entering Text” on page 74.
7. Press the **Select** key again.
  8. Check that ADD is selected, and then press the **Select** key. Repeat steps 6 through 8 until all desired destinations are specified.
    - If no more recipients are to be specified, continue with step 9.

9. Select **FINISH**, and then press the **Select** key.  
The destinations are registered as the group dial destination.

**Note:**

To return to the Fax mode screen, continue pressing the **Back** key until the Fax mode screen appears, or press the **Stop/Reset** key.

## Changing/Deleting Group Dial Information

The registered group dial information can be changed.

1. Press the **▲** or **▼** key to select **UTILITY**, and then press the **Select** key.

**Note:**

For details on selecting a menu, refer to “General Procedure for Specifying Settings in Utility Menu” on page 13.

2. Press the **▲** or **▼** key to select **DIAL REGISTER**, and then press the **Select** key.
3. Press the **▲** or **▼** key to select **GROUP DIAL**, and then press the **Select** key.  
The **GROUP DIAL** screen appears.
4. Use the keypad to type in the number of the group dial destination to be edited/deleted, and then press the **Select** key.

**Note:**

For details on entering/editing text and the characters that can be entered, refer to “Entering Text” on page 74.

5. Press the **▲** or **▼** key to select **EDIT** or **DELETE**, and then press the **Select** key.
  - If **EDIT** was selected, the name is displayed. Continue with step 6.
  - If **DELETE** was selected, the settings programmed for the group dial number are deleted. This completes the procedure when it is deleted.
6. If you want to change the name of the group, enter the new name, and then press the **Select** key.

**Note:**

For details on editing text, refer to “Entering Text” on page 74.

7. Add/delete destinations.

- ❑ To add a destination, check that **ADD** is selected, and then press the **Select** key. Type in the speed dial number, press the **Select** key, and then press the **Select** key again.
  - ❑ To delete a destination, press the ▲ or ▼ key to select **CHECK/EDIT**, and then press the **Select** key.  
Press the ▲ or ▼ key to select the destination to be deleted, and then press the **Stop/Reset** key.  
Check that **YES** is selected, and then press the **Select** key.  
The destination is deleted from the group dial list.
8. Press the ▲ or ▼ key to select **FINISH**, and then press the **Select** key.  
The edited information is registered with the group dial number.

## Chapter 7

### Confirmation Mode

---

#### About the Machine's Counters

---

The operations performed since this machine was installed can be checked with **REPORT/STATUS** in the menu. Follow the procedure described below to check the fax-related counters.

#### Checking the Counter for Fax Printing

This counter shows the total number of fax prints made since this machine was installed.

1. Press the ▲ or ▼ key to select **REPORT/STATUS**, and then press the **Select** key.
2. Check that **TOTAL PRINT** is selected, and then press the **Select** key.  
The **TOTAL PRINT** screen appears.
3. Press the ▲ or ▼ key to scroll through the screen until **FAX PRINT** appears.  
Check the total number of pages printed as faxes.

**Note:**

To return to the Fax mode screen, press the **Stop/Reset** key.

#### Checking the Counter for Total Scans

This counter shows the total number of scans made, excluding copies, since this machine was installed.

1. Press the ▲ or ▼ key to select **REPORT/STATUS**, and then press the **Select** key.
2. Check that **TOTAL PRINT** is selected, and then press the **Select** key.  
The **TOTAL PRINT** screen appears.
3. Press the ▲ or ▼ key to scroll through the screen until **TOTAL SCAN** appears.  
Check the total number of scans made with faxes.

**Note:**

To return to the Fax mode screen, press the **Stop/Reset** key.

---

## Checking the Transmission/Reception Result From the Message Window

The results of a maximum of 60 fax transmissions/receptions can be viewed.

In addition, the transmission/reception results that are displayed can be printed by pressing the **Start** (B&W) key.

1. Press the ▲ or ▼ key to select REPORT/STATUS, and then press the **Select** key.
2. Press the ▲ or ▼ key to select TX/RX RESULT, and then press the **Select** key.  
The TX/RX RESULT screen appears and displays the communications log.

**Note:**

To return to the Fax mode screen, press the **Select** key.

---

## About the Reports and Lists

Reports on the status of fax transmissions/receptions and the speed dial settings can be printed.

The following reports and lists can be printed with this machine.

**Note:**

For details on printing the reports and the lists, refer to the following section.

## Printing the Reports and Lists

1. Press the ▲ or ▼ key to select REPORT/STATUS, and then press the **Select** key.
2. Press the ▲ or ▼ key to select REPORT, and then press the **Select** key.
3. Press the ▲ or ▼ key to select the desired report, press the **Select** key, and then **Start** key.  
The report is printed

## TX RESULT REPORT

The session number, recipient name, date sent, starting time of transmission, number of document pages, time required, mode, and transmission result are printed.

**Note:**

*The machine can also be set to print this report with each transmission, only when an error occurs, or not at all. For details, refer to the Printer/Copier/Scanner User's Guide.*

SESSION	FUNCTION	NO.
0001	TX	001

DESTINATION STATION	DATE	TIME	PAGE	DURATION	MODE	RESULT
AAA NEWYORK 012345678	APR.19	18:00	010	00h02min21s	G3	STOP
00A0: TX CANCEL						

## RX RESULT REPORT

The session number, date received, starting time of reception, number of pages received, time required, mode, and reception result are printed.

**Note:**

*The machine can also be set to print this report with each reception, only when an error occurs, or not at all. For details, refer to the Printer/Copier/Scanner User's Guide.*

SESSION	FUNCTION	NO.
0001	RX	001

DESTINATION STATION	DATE	TIME	PAGE	DURATION	MODE	RESULT
098765432	APR.19	18:00	001	00h02min21s	ECM	NG
0014:ERROR DURING RX						



## ACTIVITY REPORT

The operation number, session number, date of operation, starting time of transmission/reception, type of operation (transmission or reception), recipient name, number of pages sent/received, mode, and transmission/reception result are printed.

**Note:**

*The machine can also be set to print this report automatically after every 60 transmissions/receptions. For details, refer to the Printer/Copier/Scanner User's Guide.*

NO.	SESSION	DATE	TIME	TX/RX	DESTINATION STATION	PAGE	DURATION	MODE	RESULT
01	0001	APR.19	16:32	TX---	AAA NEWYORK 012345678	006	00h01min16s	ECM	OK
02	0002	APR.19	18:00	---RX	098765432	001	00h02min21s	ECM	NG 0034
03	0003	APR.19	18:00	---RX	098765432	012	00h02min48s	ECM	OK
04	0004	APR.19	19:12	TX---	HEAD OFFICE 024682468	001	00h00min56s	ECM	OK

## MEMORY DATA LIST

This is a list of documents queued to be sent and documents specified for timer transmission (including batch transmission).

The session number, type of operation being performed, time, recipient name, and number of document pages are printed.

SESSION	FUNCTION	TIME	NO.	DESTINATION STATION	PAGE
0001	TX	18:00	001	SP-001 AAA NEWYORK 012345678	012

## MEMORY IMAGE PRINT

A reduced image of the first page of the document waiting to be sent in addition to the session number, type of operation being performed, recipient name, date, time, and number of document pages are printed.

## ***FAVORITE LIST***

The destinations registered in the favorite list are printed in the order that they appear in the favorite list.

<b>FA-NO.</b>	<b>DESTINATION STATION</b>	<b>DESTINATION NUMBER</b>	<b>SPEED</b>	<b>SET DATE</b>
FA-01	AAA NEWYORK	012345678	33.6	JAN.20.2006
FA-02	AAA TOKYO	098765432	33.6	JAN.20.2006
FA-03	HEAD OFFICE	024682468	33.6	FEB.12.2006
FA-04	0P02345678	0224466880	12.8	FEB.12.2006

## ***SPEED DIAL LIST***

The recipients programmed for the speed dial numbers are printed in numerical order. The time specified for speed dial numbers registered with batch transmission settings appears below "DETAIL".

<b>SP-NO.</b>	<b>DESTINATION STATION</b>	<b>DESTINATION NUMBER</b>	<b>DETAIL</b>		<b>SET DATE</b>
SP-001	AMSTERDAM OFFICE	0P09876543	23:00	33.6	JAN.20.2006
SP-002	KOREA OFFICE	0P01357913		33.6	JAN.20.2006
SP-003	ABCDEF	024682468		33.6	FEB.12.2006
SP-004	POST OFFICE	0224466880		14.4	FEB.12.2006

## ***GROUP DIAL LIST***

The group dialing settings are printed in numerical order.

KEY-NO.	NAME	NO.	DESTINATION STATION
GP-01	GROUP-01	01	SP-002 AAA TOKYO 098765432
		02	SP-004 NJ OFFICE 0P02345678
		03	SP-001 AMSTERDAM OFFICE 0P09876543

## Chapter 8

### Troubleshooting

#### Problems When Sending Faxes

If the fax cannot be sent correctly, refer to the following table, and then perform the indicated operation. If the fax still cannot be sent correctly, even after performing the described operations, contact your technical representative.

**Note:**

For details on the error messages, refer to “Error Messages on the Message Window” on page 70. For details on troubleshooting procedures for document misfeeds, paper misfeeds, poor print quality, or empty consumables, refer to the *Printer/Copier/Scanner User's Guide*.

Symptom	Cause	Solution
The document is not scanned.	The document is too thick, too thin or too small.	Use the original glass to send the fax.
The document is scanned at an angle.	The document guides are not adjusted to the width of the document.	Slide the document guides to fit the width of the document.
The fax received by the recipient is blurry.	The document is incorrectly positioned.	Position the document correctly.
	The original glass is dirty.	Clean the original glass.
	The text in the document is written too faint.	Adjust the resolution.
	There may be a problem with the telephone connection.	Check the telephone line, and then try sending the fax again.
	There may be a problem with the recipient's fax machine.	Make a copy to check that this machine is operating correctly, and then, if the copy was printed correctly, have the recipient check the condition of their fax machine.
The fax received by the recipient is blank.	The document was sent with the front side facing down (when the ADF is used).	Load the document to be faxed facing up.

Symptom	Cause	Solution
Transmission is not possible.	The transmission procedure may have been performed incorrectly.	Check the transmission procedure, and then try sending the fax again.
	The fax number may be wrong.	Check the fax number.
	The destination in the favorite list, the speed dial destination or the group dial destination may be incorrectly programmed.	Check that the keys were correctly programmed.
	The telephone line may be incorrectly connected.	Check the telephone line connection. If it is disconnected, connect it.
	There may be a problem with the recipient's fax machine (such as, no paper or turned off).	Contact the recipient.

## Problems When Receiving Faxes

If the fax cannot be received correctly, refer to the following table, and then perform the indicated operation. If the fax still cannot be received correctly, even after performing the described operations, contact your technical representative.

### Note:

For details on the error messages, refer to "Error Messages on the Message Window" on page 70. For details on troubleshooting procedures for document misfeeds, paper misfeeds, poor print quality, or empty toner, refer to the *Printer/Copier/Scanner User's Guide*.

Symptom	Cause	Solution
The received fax is blank.	There may be a problem with the telephone connection or with the caller's fax machine.	Check that the machine can make clean copies. If it can, have the caller send the fax again.
	The caller may have loaded the pages backward.	Contact the caller.

Symptom	Cause	Solution
Faxes cannot be received automatically.	The machine is set to receive faxes manually.	Set the machine to automatic reception.
	Memory is full.	Load paper if it is empty, and then print the faxes stored in memory.
	The telephone line is incorrectly connected.	Check the telephone line connection. If it is disconnected, connect it.
	There may be a problem with the caller's fax machine.	Make a copy to check that this machine is operating correctly, and then, if the copy was printed correctly, have the recipient check the condition of their fax machine.

## Other Problems

Symptom	Cause	Solution
The number of document pages indicated in the transmission result report is different from the number of pages in a batch transmission.	Memory is full.	During batch transmission, the number of document pages indicated in the transmission result report may be different from the number of pages in the transmission if the memory is full.

## Error Messages on the Message Window

Error message	Cause	Solution
ADMINISTERED BY PC PLEASE WAIT!	This machine is accessing Local Setup Program or the Admin. Mode of EpsonNet Config.	<ul style="list-style-type: none"> <li><input type="checkbox"/> Log off from EpsonNet Config.</li> <li><input type="checkbox"/> Exit Local Setup Program.</li> <li><input type="checkbox"/> If no operation is performed for 600 seconds, the main screen appears.</li> </ul>
COMMUNICATION ERROR (####)	<ul style="list-style-type: none"> <li><input type="checkbox"/> Communication is not possible because of some problem in the machine.</li> <li><input type="checkbox"/> Communication is not possible because of a problem with the recipient/caller's fax machine.</li> </ul>	Check the transmission results.

Error message	Cause	Solution
Check Fax Mode	A fax error occurred while an operation was being performed in Copy mode or Scan mode.	Press the <b>Fax</b> key to check the error condition, and take appropriate measures.
DESTINATION SET BY MANUAL UP TO 16	More than 16 recipient fax numbers have been typed in directly.	Specify no more than 16 recipient fax numbers.
DUPLICATE SETTING	Same destinations are specified by registered dial.	Specify the destination address again.
FAX DATA LOST	Data stored in the memory has been erased.	Check the printed lost data report. If transmission data was erased, scan the transmission data again. If received data was erased, have the fax sent again.
HANG UP THE PHONE	The receiver of the connected telephone is lifted.	Replace the receiver of the connected telephone on the hook.
LINE PROBLEM CHECK LINE	<ul style="list-style-type: none"> <li><input type="checkbox"/> The telephone dialing system or telephone wiring system is not set correctly.</li> <li><input type="checkbox"/> The telephone cable is not attached correctly.</li> </ul>	<ul style="list-style-type: none"> <li><input type="checkbox"/> Check the telephone dialing system or telephone wiring system and use the appropriate configuration menu to make the correct settings.</li> <li><input type="checkbox"/> Correctly connect the telephone cable.</li> </ul>
MEMORY FILE FULL	The number of items registered in the memory has exceeded the maximum allowed.	If MEMORY RX MODE is set to ON, cancel memory reception mode, and print received documents stored in the memory.
MEMORY FULL	<ul style="list-style-type: none"> <li><input type="checkbox"/> While sending a fax, the size of the data for the scanned image has exceeded the capacity of the memory.</li> <li><input type="checkbox"/> While receiving a fax, the size of the data for the scanned image has exceeded the capacity of the memory.</li> </ul>	<ul style="list-style-type: none"> <li><input type="checkbox"/> If MEMORY RX MODE is set to ON, cancel memory reception mode, and print received documents stored in the memory.</li> <li><input type="checkbox"/> Send the fax manually.</li> </ul>
NOT AVAILABLE	The menu cannot be set.	For details on the menu settings, refer to "UTILITY Menu" on page 13
NOT FAX NO.	When the destination for the scan data was specified, an e-mail address registered in the favorite list or as a speed dial destination or group dial destination has been selected.	Directly type in the destination for the fax data, or specify a fax number registered in the favorite list or as a speed dial destination or group dial destination.



Error message	Cause	Solution
NOT REGISTERED	<p>No speed dial destination or group dial destination is registered.</p> <p>Otherwise, no destination has been registered with the specified speed dial or group dial number.</p>	<p>Directly type in the destination address for the fax data, or register a speed dial destination or group dial destination and try specifying the destination address again.</p>
REDIAL ALL FAILED	<p>All redial attempts failed because either the recipient's line is busy or there was no answer.</p>	<p>Check the condition of the recipient's line, and then try sending the fax again.</p>
THE PARTY IS FULL	<p>The maximum number of 236 destinations for the fax data has been reached.</p>	<p>Send the fax, and then try scanning again. Otherwise, delete unnecessary destinations before adding the desired ones.</p>
WRONG PASSWORD	<p>The password is incorrect.</p>	<p>Check the password, and then specify the correct one.</p>
REGISTERED! GROUP DIAL	<p>This error message appears if a group dial destination was selected from the favorite list when specifying a recipient for a fax being sent using the <b>On hook</b> key.</p>	<p>Select a recipient from the favorite list that has been programmed with a single destination.</p>



## Appendix A

### Appendix

#### Technical Specifications

Compatible lines	PSTN (Public Switched Telephone Network), PBX (Private Branch eXchange) (The others are not guaranteed.)
Compatibility	ECM/Super G3
Modem speed	V.34 (up to 33.6 Kbps)
Fax transmission speed	3 sec/page (at V.34)
Coding method	MH, MR, MMR, JBIG
Memory for receiving	6 MB (approx. 384 pages)
Original	<input type="checkbox"/> ADF Maximum size: Legal  Width: 140 to 216 mm Length: 148 to 500 mm (500 mm: Fax mode with ADF) <input type="checkbox"/> Original Glass A5/A4/Statement/Letter
Paper size	Maximum size: Legal 
Edge erase	4 mm (top, bottom, left, right)
Transmission resolution	Standard: 203 × 98 dpi Fine: 203 × 196 dpi Super Fine: 203 × 392 dpi

PC-FAX	<p>Operating system:  Windows 2000 Service Pack 4  Windows Server 2003 (32-bit/64-bit)  Windows Server 2008 (32-bit/64-bit)  Windows XP (32-bit/64-bit)  Windows VISTA (32-bit/64-bit)  Windows 7 (32-bit/64-bit)</p> <p>Interface:  USB 2.0  Network (TCP/IP(RAW port, LPR))</p> <p>PC requirements:  Minimum specifications:  CPU speed: Pentium 200MHz  RAM: 128 MB</p> <p>Recommended specifications:  CPU speed: Pentium 4/1.6GHz  RAM: 256 MB</p> <p>Driver command language:  GDI</p> <p>Driver compression:  JBIG</p>
--------	-------------------------------------------------------------------------------------------------------------------------------------------------------------------------------------------------------------------------------------------------------------------------------------------------------------------------------------------------------------------------------------------------------------------------------------------------------------------------------------------------------------------------------------------------------------------------------------------

**Note:**

*For details on other specifications, refer to the Printer/Copier/Scanner User's Guide.*

---

## **Entering Text**

When specifying the user name or programming the recipient name, letters, accented characters, numbers and symbols can be entered.

## **Key Operation**

Use the keypad to enter numbers, letters, and symbols.

List of characters available with each key of the keypad

## Entering Fax Numbers

Keypad Key	Available characters		Available characters (Registration of USER FAX NO.) *	
	[1]	[A]	[1]	[A]
1	1	-1	1	-1
2	2	2	2	2
3	3	3	3	3
4	4	4	4	4
5	5	5	5	5
6	6	6	6	6
7	7	7	7	7
8	8	8	8	8
9	9	9	9	9
0	0	(space)0	0	(space)0
✕				
#	#	#*		+

\* To display your fax number, select ADMIN. MANAGEMENT/USER SETTING/USER FAX NUMBER in the UTILITY menu.

## Entering Names

English, French, German, Italian, Spanish, Portuguese, Turkish

Keypad Key	Available characters	
	[1]	[A]
1	1	.,'?;!;"'1-()@/;:_
2	2	ABC2abcÆÇàáâãäåæç
3	3	DEF3defÐèéëëð
4	4	GHI4ghiïïï
5	5	JKL5jkl€£ç

Keypad Key	Available characters	
	[1]	[A]
6	6	MNO6mnoøŒñòóôõöøœ°
7	7	PQRS7pqrsßššš
8	8	TUV8tuvùúüü
9	9	WXYZ9wxyzþýþ
0	0	(space)0
✕		
#	#	*+×÷=#%&<>[]{} μ^`~

*Czech, Slovak, Hungarian, Polish*

Keypad Key	Available characters	
	[1]	[A]
1	1	.,?!"1-()@/;:_
2	2	ABC2abcAÇáâãäåçčć
3	3	DEF3defĐĚđďéěëë
4	4	GHI4ghií
5	5	JKL5jklŁłłłł
6	6	MNO6mnoňńóóóó
7	7	PQRS7pqrsßšššřřřšš
8	8	TUV8tuvŤťtúúüü
9	9	WXYZ9wxyzýžžž
0	0	(space)0
✕		
#	#	*+×÷=#%&<>[]{} μ^`~

*Russian*

Keypad Key	Available characters	
	[1]	[A]
1	1	.,?!"1-()@/;_
2	2	ABC2abcАБВГабвг
3	3	DEF3defДЕЖЗЁедежзё
4	4	GHI4ghiИЙКЛийкл
5	5	JKL5jklМНОПмноп
6	6	MNO6mnoPCTУрсту
7	7	PQRS7pqrsФХЦЧфхцч
8	8	TUV8tuvШЩЪЫшщъы
9	9	WXYZ9wxyzЭЮЯьюя
0	0	(space)0
✕		
#	#	*+=#%&<>[]{} ^`~

**Entering Email Addresses**

Keypad Key	Available characters	
	[1]	[A]
1	1	.@_-1
2	2	ABC2abc
3	3	DEF3def
4	4	GHI4ghi
5	5	JKL5jkl
6	6	MNO6mno
7	7	PQRS7pqrs

Keypad Key	Available characters	
	[1]	[A]
8	8	TUV8tuv
9	9	WXYZ9wxyz
0	0	(space)0
✕		
#	#	+&/*=!?()%[]^`{ }~\$,:

## Changing Input Mode

Each press of the ✕ key switches the input mode between numbers and letters.

[1...]: Numbers can be typed in.

[A...]: Letters can be typed in.

## Inputting Example

The procedure for entering text is described below, using “NJ Office” as an example.

1. Press the **6** key twice.  
“N” is entered.
2. Press the **5** key once.  
“J” is entered.
3. Press the **0** key once.  
A space is entered.
4. Press the **6** key three times.  
“O” is entered.
5. Press the **3** key seven times.  
“f” is entered.

6. Press the ► key.  
The cursor moves to the right.
7. Press the **3** key seven times.  
“f” is entered.
8. Press the **4** key seven times.  
“i” is entered.
9. Press the **2** key seven times.  
“c” is entered.
10. Press the **3** key six times.  
“e” is entered.

### ***Correcting Text And Input Precautions***

- To erase all entered text, hold down the **Back** key.
- To delete only part of the entered text, use the ◀ or ▶ key to move the cursor ( ) to the character that you want to delete, and then press the **Back** key.
- If the same key is to be used to enter two characters in a row, press the ► key after selecting the first character. (Refer to the above inputting example.)
- To enter a space, press the **0** key.

## Index

- A**
- ADF.....7
  - Sending faxes.....17
  - Adjusting
    - Density.....22
    - Image Quality.....21
    - Resolution.....21
- B**
- Batch transmission.....31
- C**
- Canceling
    - Memory.....36
  - Chain dial.....35
  - Changing/deleting
    - Favorite list.....55
    - Group dial.....60
    - Speed dial.....57
  - Confirm.....62
  - Control panel.....7
  - Counters.....62
    - Fax printing.....62
    - Total scans.....62
- D**
- Deleting
    - Memory.....36
  - Density, Adjusting.....22
  - Dialing, direct.....23
  - Direct transmission.....32
  - Document feed tray.....7
  - Document guide.....7
- E**
- Entering text.....74
    - Correcting text.....79
  - Input mode.....78
  - Input precautions.....79
  - Error messages.....70
- F**
- Favorite list
    - Deleting.....55
    - Registering.....53
    - Specifying recipient.....23
  - Fax mode screen.....10
  - Footer.....45
  - Forwarding.....44
    - Specifying.....16
- G**
- Group dial
    - Changing/deleting.....60
    - Registering.....58
    - Specifying recipient.....29
- H**
- Header.....37
- I**
- Image Quality, Adjusting.....21
  - Imageable area.....45
  - Input mode.....78
- K**
- Key operation.....74
- L**
- Lists.....63
    - FAVORITE LIST.....66
    - GROUP DIAL LIST.....66



MEMORY DATA LIST.....	65	Search.....	26
Printing.....	63		
SPEED DIAL LIST.....	66		
<b>M</b>		<b>R</b>	
Manual		Receiving faxes	
Reception.....	43	Automatic reception.....	43
Transmission.....	33	Forwarding.....	44
Manual transmission		Manual reception.....	43
On hook key.....	35	Memory reception.....	14
Using telephone.....	33	Method of printing.....	46
Memory		Printing.....	45
Cancel/delete.....	36	Reception result.....	63, 64
Queue.....	36	Recipients	
Memory reception.....	14	Dial register function.....	53
Memory RX mode.....	14	Favorite list.....	53
Setting up.....	14	Group dial.....	58
Turning off.....	15	Multiple recipients.....	27
Memory transmission.....	32	Registering.....	53
Menu		Speed dial.....	55
Utility.....	13	Redial.....	27
Multiple recipients		Registering recipients.....	53
Broadcast.....	27	Favorite list.....	53
Group dial.....	29	Group dial.....	58
<b>O</b>		Speed dial.....	55
Original glass.....	7	Reports.....	63
Sending faxes.....	19	ACTIVITY REPORT.....	65
<b>P</b>		MEMORY IMAGE PRINT.....	65
Parts.....	7	Printing.....	63
PC-FAX.....	39	RX RESULT REPORT.....	64
Basic transmission.....	40	TX RESULT REPORT.....	64
Settings.....	39	Resolution, Adjusting.....	21
Uninstalling.....	41		
PC-FAX Settings		<b>S</b>	
Address Book tab.....	40	Sending faxes	
Common buttons.....	39	Basic fax operation.....	17
Sender Information tab.....	40	Batch transmission.....	31
Settings tab.....	39	Chain dial.....	35
Phone book		Direct transmission.....	32
List.....	25	Manual transmission.....	33
		Memory transmission.....	32
		PC-FAX transmission.....	40
		Redial.....	27
		Timer.....	30
		Using ADF.....	17

Using original glass.....	19
Specifications.....	73
Specifying a recipient	
Direct dialing.....	23
Favorite list.....	23
Group dial.....	29
Speed dial.....	24
Specifying recipient.....	22
List.....	25
Phone book.....	25, 26
Search.....	26
Speed dial	
Changing/deleting.....	57
Registering.....	55
Registering (manual setting).....	55
Specifying recipient.....	24
Symbol, Message window.....	12

## **T**

Timer transmission.....	30
Transmission method.....	32
Changing transmission method.....	32
Direct transmission.....	32
Memory transmission.....	32
Transmission result.....	63, 64
Troubleshooting.....	68
Error messages.....	70
Receiving faxes.....	69
Sending faxes.....	68

## **U**

Utility	
Specifying Settings.....	13

## Free Manuals Download Website

<http://myh66.com>

<http://usermanuals.us>

<http://www.somanuals.com>

<http://www.4manuals.cc>

<http://www.manual-lib.com>

<http://www.404manual.com>

<http://www.luxmanual.com>

<http://aubethermostatmanual.com>

Golf course search by state

<http://golfingnear.com>

Email search by domain

<http://emailbydomain.com>

Auto manuals search

<http://auto.somanuals.com>

TV manuals search

<http://tv.somanuals.com>