



AL-M300/AL-M400 Series

User's Guide

NPD4821-00 EN

Copyright and Trademarks

No part of this publication may be reproduced, stored in a retrieval system, or transmitted in any form or by any means, mechanical, photocopying, recording, or otherwise, without the prior written permission of Seiko Epson Corporation. No patent liability is assumed with respect to the use of the information contained herein. Neither is any liability assumed for damages resulting from the use of the information contained herein.

Neither Seiko Epson Corporation nor its affiliates shall be liable to the purchaser of this product or third parties for damages, losses, costs, or expenses incurred by purchaser or third parties as a result of: accident, misuse, or abuse of this product or unauthorized modifications, repairs, or alterations to this product, or (excluding the U.S.) failure to strictly comply with Seiko Epson Corporation's operating and maintenance instructions.

Seiko Epson Corporation and its affiliates shall not be liable against any damages or problems arising from the use of any options or any consumable products other than those designated as Original Epson Products or Epson Approved Products by Seiko Epson Corporation.

Features Zoran Corporation Integrated Print System (IPS) for print language emulation.



A part of the ICC Profile contained within this product was created by Gretag Macbeth ProfileMaker. Gretag Macbeth is the registered trademark of Gretag Macbeth Holding AG Logo. ProfileMaker is a trademark of LOGO GmbH.

IBM and PS/2 are registered trademarks of International Business Machines Corporation.

Microsoft®, Windows®, and Windows Vista® are registered trademarks of Microsoft Corporation.

Apple®, Mac®, Mac OS®, and Bonjour® are registered trademarks of Apple, Inc. Apple Chancery, Chicago, Geneva, Hoefler Text, Monaco, New York and True Type are trademarks or registered trademarks of Apple, Inc.

EPSON and EPSON ESC/P are registered trademarks and Epson AcuLaser and Epson ESC/P 2 are trademarks of Seiko Epson Corporation.

Bitstream is a registered trademark of Bitstream Inc. registered in the United States Patent and Trademark Office and may be registered in certain jurisdictions.

Monotype is a trademark of Monotype Imaging, Inc. registered in the United States Patent and Trademark Office and may be registered in certain jurisdictions.

Albertus, Arial, Coronet, GillSans, Times New Roman and Joanna are trademarks of The Monotype Corporation registered in the United States Patent and Trademark Office and may be registered in certain jurisdictions.

ITC Avant Garde Gothic, ITC Bookman, ITC Lubalin, ITC Mona Lisa Recut, ITC Symbol, ITC Zapf-Chancery, and ITC ZapfDingbats are trademarks of International Typeface Corporation registered in the United States Patent and Trademark Office and may be registered in certain jurisdictions.

Clarendon, Helvetica, New Century Schoolbook, Optima, Palatino, Stempel Garamond, Times and Univers are registered trademarks of Heidelberger Druckmaschinen AG, which may be registered in certain jurisdictions, exclusively licensed through Linotype Library GmbH, a wholly owned subsidiary of Heidelberger Druckmaschinen AG.

Wingdings is a registered trademark of Microsoft Corporation in the United States and other countries.

Marigold is trademark of Arthur Baker and may be registered in some jurisdictions.

Antique Olive is a registered trademark of Marcel Olive and may be registered in certain jurisdictions.

Carta and Tekton are registered trademarks of Adobe Systems Incorporated.

Marigold and Oxford are trademarks of AlphaOmega Typography.

Coronet is a registered trademark of Ludlow Type Foundry.

Eurostile is a trademark of Nebiolo.

HP and HP LaserJet are registered trademarks of the Hewlett-Packard Company.

PCL is the registered trademark of Hewlett-Packard Company.

Adobe, the Adobe logo and PostScript3 are trademarks of Adobe Systems Incorporated, which may be registered in certain jurisdictions.

General Notice: Other product names used herein are for identification purposes only and may be trademarks of their respective owners. Epson disclaims any and all rights in those marks.

Copyright © 2012 Seiko Epson Corporation. All rights reserved.

Operating System Versions

In this manual, the following abbreviations are used.

Windows refers to Windows 8, 8 x64, 7, 7 x64, Vista, Vista x64, XP, XP x64, Server 2012 x64, Server 2008, Server 2008 x64, Server 2008 R2, Server 2003, and Server 2003 x64.

- ❑ Windows 8 refers to Windows 8, Windows 8 Pro, Windows 8 Enterprise.
- ❑ Windows 8 x64 refers to Windows 8 x64, Windows 8 Pro x64, Windows 8 Enterprise x64.
- ❑ Windows 7 refers to Windows 7 Ultimate Edition, Windows 7 Home Premium Edition, Windows 7 Home Basic Edition, and Windows 7 Professional Edition.
- ❑ Windows 7 x64 refers to Windows 7 Ultimate x64 Edition, Windows 7 Home Premium x64 Edition, Windows 7 Home Basic x64 Edition, and Windows 7 Professional x64 Edition.
- ❑ Windows Vista refers to Windows Vista Ultimate Edition, Windows Vista Home Premium Edition, Windows Vista Home Basic Edition, Windows Vista Enterprise Edition and Windows Vista Business Edition.
- ❑ Windows Vista x64 refers to Windows Vista Ultimate x64 Edition, Windows Vista Home Premium x64 Edition, Windows Vista Home Basic x64 Edition, Windows Vista Enterprise x64 Edition and Windows Vista Business x64 Edition.
- ❑ Windows XP refers to Windows XP Home Edition and Windows XP Professional.
- ❑ Windows XP x64 refers to Windows XP Professional x64 Edition.
- ❑ Windows Server 2012 x64 refers to Windows Server 2012 Essentials Edition, Server 2012 standard Edition.
- ❑ Windows Server 2008 refers to Windows Server 2008 Standard Edition and Windows Server 2008 Enterprise Edition.
- ❑ Windows Server 2008 x64 refers to Windows Server 2008 x64 Standard Edition, Windows Server 2008 x64 Enterprise Edition, Windows Server 2008 R2 Standard Edition, and Windows Server 2008 R2 Enterprise Edition.
- ❑ Windows Server 2003 refers to Windows Server 2003 Standard Edition and Windows Server 2003 Enterprise Edition.
- ❑ Windows Server 2003 x64 refers to Windows Server 2003 x64 Standard Edition and Windows Server 2003 x64 Enterprise Edition.

Mac OS refers to Mac OS X.

- ❑ Mac OS X refers to Mac OS X 10.5.8 or later.

Contents

Safety Instructions

Warning, Caution, Important and Note.	13
Important Safety Instructions.	13
Setting up the printer.	13
Finding the place for the printer.	15
Using the printer.	17
Handling the consumable products and maintenance parts.	18
Safety Information.	19
Laser safety labels.	19
Internal laser radiation.	20
Ozone safety.	20

Chapter 1 Getting to Know Your Printer

Printer Parts.	21
Front view.	21
Rear view.	22
Inside the printer.	23
Control panel.	24
Options.	25
Consumable Products.	26
Maintenance Parts.	26
Where to Find Information.	26
Printer Features.	27
Power saving performance.	27
Print Job Arranger.	27

Chapter 2 Printing Tasks

Loading Paper into Your Printer.	28
MP tray.	28
Lower paper cassette.	32
Output Tray.	36
Selecting and Using Print Media.	36

Labels.	36
Envelopes.	37
Thick paper.	39
Custom paper size.	40
Cancelling a Print Job.	41
From the printer.	41
From the computer.	42
Setting the Print Quality.	42
Using the Automatic setting.	42
Using the Advanced setting.	43
Customizing print settings.	44
Toner Save mode.	45
Improving the clarity of color documents.	46
Adjusting the weight of thin lines.	47
Setting the Advanced Layout.	48
Duplex printing.	48
Modifying the print layout.	49
Resizing printouts.	50
Printing watermarks.	51
Printing headers and footers.	52
Printing with an overlay.	53
Printing the copy-protected document.	56
Printing Multiple Print Jobs at Once	57
Using the Reserve Job Function.	57
Sending the print job.	58

Chapter 3 Using the Control Panel

Using the Control Panel Menus.	60
When to make control panel settings.	60
How to access the control panel menus.	60
How to register menus as bookmarks.	61
Control Panel Menus.	62
Information Menu.	62
System Information Menu.	64
Tray Menu.	65
Emulation Menu.	66
Printing Menu.	66
Setup Menu.	69

Reset Menu.	73
Quick Print JobMenu.	74
ConfidentialJobMenu.	74
Clock Menu.	75
Parallel Menu (For AL-M300D only).	75
USB Menu.	76
Network Menu.	77
PCL Menu.	77
PS3 Menu.	79
ESCP2 Menu.	80
FX Menu.	82
I239X Menu.	84
Password Config Menu.	86
Energy Saver Menu.	87
Support Menu.	88
Printer Adjust Menu.	89
Bookmark Menu.	94
Status and Error Messages.	94
Printing and Deleting Reserve Job Data.	106
Using the Quick Print JobMenu.	106
Using the ConfidentialJobMenu.	107
Printing a Configuration Status Sheet.	108
Canceling Printing.	109
Using the Pause/Release button.	109
Interrupting Printing.	109

Chapter 4 *Installing Options*

Optional Paper Cassette Unit.	111
Handling precautions.	111
Installing the optional paper cassette unit.	112
Removing the optional paper cassette unit.	116
Memory Module.	116
Installing a memory module.	116
Removing a memory module.	119
CompactFlash Memory (For AL-M400 Series only).	120
Installing a CompactFlash memory.	120
Removing a CompactFlash memory.	123

Chapter 5 Replacing Consumable Products/Maintenance Parts

Precautions During Replacement.	124
Replacement Messages.	124
AL-M300 Series.	125
AL-M400 Series.	125

Chapter 6 Cleaning and Transporting the Printer

Cleaning the Printer.	126
Cleaning the pickup roller.	127
Transporting the Printer.	133
For long distances.	133
For short distances.	134

Chapter 7 Troubleshooting

Clearing Jammed Paper.	136
Precautions for clearing jammed paper.	137
Paper Jam B (Cover B).	137
Paper Jam MP, C1, C2, B (MP tray, Cassette1-2, Cover B).	140
Paper Jam C2, C3, C4, E2, E3, B (Cassette2-4, Cover E2-E3, Cover B).	145
Printing a Configuration Status Sheet.	151
Operational Problems.	151
The Ready light does not turn on.	151
The printer does not print (Ready light off).	152
The Ready light is on but nothing prints.	152
The remaining service life of the consumables is not updated (Windows only).	153
Cannot install software or drivers.	153
Cannot access the shared printer.	153
Printout Problems.	154
The font cannot be printed.	154
Printout is garbled.	154
The printout position is not correct.	155
Graphics do not print correctly.	155
Print Quality Problems.	155
The background is dark or dirty.	155
Dots appear in the printout.	156
Print quality or tone is uneven.	156

Half-tone images print unevenly.	157
Toner smudges.	158
Areas are missing in the printed image.	158
Completely blank pages are output.	159
Printouts are extremely curled.	159
The printed image is light or faint.	160
The non-printed side of the page is dirty.	160
Print quality decreased.	161
Memory Problems.	161
Insufficient memory for current task.	161
Insufficient memory to print all copies.	162
Paper Handling Problems.	162
Paper does not feed properly.	162
The printout was on the wrong side of the paper when I did duplex printing.	163
Problems Using Options.	163
Paper does not feed from the optional paper cassette.	163
An installed option cannot be used.	164
The optional product is not available.	164
Correcting USB Problems.	164
USB connections.	164
Windows operating system.	164
Printer software installation.	165
Status and Error Messages.	165
Canceling Printing.	165
Printing in the PostScript 3 Mode Problems.	166
The printer does not print correctly in the PostScript mode.	166
The printer does not print.	166
The printer or its driver does not appear in utilities in the printer configuration (Mac OS only)	167
The font on the printout is different from that on the screen.	167
The printer fonts cannot be installed.	167
The edges of texts and/or images are not smooth.	167
The printer does not print normally via the USB interface.	168
The printer does not print normally via the network interface.	168
An undefined error occurs (Mac OS only).	168

Chapter 8 **About the Printer Software**

Using the Printer Software for Windows.	169
---	-----

Using the printer driver.	169
Using EPSON Status Monitor.	171
Uninstalling the printer software.	178
Sharing the printer on a network.	178
Using the PostScript Printer Driver.	188
System requirements.	188
Using the PostScript printer driver with Windows.	189
Using the PostScript printer driver with Mac OS.	192
Using the PCL printer driver.	194
Using Epson Universal P6 Printer Driver.	194

Appendix A Technical Specifications (AL-M300 Series)

Paper.	197
Available paper types.	197
Paper that should not be used.	197
Printable area.	198
Printer.	199
General.	199
Environmental.	200
Mechanical.	201
Electrical.	201
Standard and approvals.	201
Interfaces.	202
Parallel Interface (For AL-M300D only).	202
USB interface.	202
Ethernet interface (For AL-M300DN only).	203
Options.	203
Optional paper cassette unit.	203
Memory modules.	203
Consumable Products.	204
Toner cartridge/Return toner cartridge.	204
Photoconductor Unit.	204
Maintenance Parts.	204
Fuser Unit.	204

Appendix B Technical Specifications (AL-M400 Series)

Paper.	205
Available paper types.	205
Paper that should not be used.	205
Printable area.	206
Printer.	207
General.	207
Environmental.	208
Mechanical.	209
Electrical.	209
Standard and approvals.	209
Interfaces.	210
USB interface.	210
Ethernet interface.	210
Options.	211
Optional paper cassette unit.	211
Memory modules.	211
CompactFlash memory.	211
Consumable Products.	212
Toner cartridge/Return toner cartridge.	212
Photoconductor Unit.	212
Maintenance Parts.	212
Maintenance unit.	212


Appendix C Where To Get Help


Contacting Epson Support.	213
Before Contacting Epson.	213
Help for Users in Europe.	213
Help for Users in Taiwan.	213
Help for Users in Singapore.	215
Help for Users in Thailand.	215
Help for Users in Vietnam.	216
Help for Users in Indonesia.	216
Help for Users in Hong Kong.	218
Help for Users in Malaysia.	218
Help for Users in India.	219
Help for Users in the Philippines.	220


Index

Safety Instructions

Warning, Caution, Important and Note

 **Warning**
must be followed carefully to avoid serious bodily injury.

 **Caution**
must be observed to avoid bodily injury.

 **Important**
must be observed to avoid damage to your equipment.

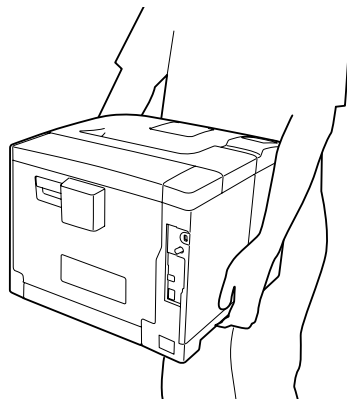
Note
contains important information and useful tips on the operation of your printer.

Important Safety Instructions

Note:
The illustrations in this section show the AL-M400 Series as an example.

Setting up the printer

- Be sure to lift the printer by the correct positions as shown below.



- When moving the printer, always keep it horizontal.

- If you are unable to insert the AC plug into the electrical outlet, contact an electrician.
- Be sure the AC power cord meets the relevant local safety standards. Use only the power cord that comes with this product. Use of the another cord may result in fire or electric shock. This product's power cord is for use with this product only. Use with other equipment may result in fire or electric shock.
- If damage occurs to the plug, replace the cord set or consult a qualified electrician. If there are fuses in the plug, make sure you replace them with fuses of the correct size and rating.
- Use a grounded outlet that matches the printer's power plug. Do not use an adapter plug.
- Avoid using an electrical outlet that is controlled by wall switches or automatic timers. Accidental disruption of power can erase valuable information in your computer's and printer's memory.
- Make sure that there is no dust on the socket.
- Be sure to insert the plug completely into the electrical outlet.
- Do not handle the plug with wet hands.
- Unplug this printer from the wall outlet and refer servicing to a qualified service representative under the following conditions:

A.	When the power cord or plug is damaged or frayed.
B.	If liquid has been spilled into it.
C.	If it has been exposed to rain or water.
D.	If it does not operate normally when the operating instructions are followed. Adjust only those controls that are covered by the operating instructions since improper adjustment of other controls may result in damage and will often require extensive work by a qualified technician to restore the product to normal operation.
E.	If it has been dropped or the cabinet has been damaged.
F.	If it exhibits a distinct change in performance, indicating a need for service.

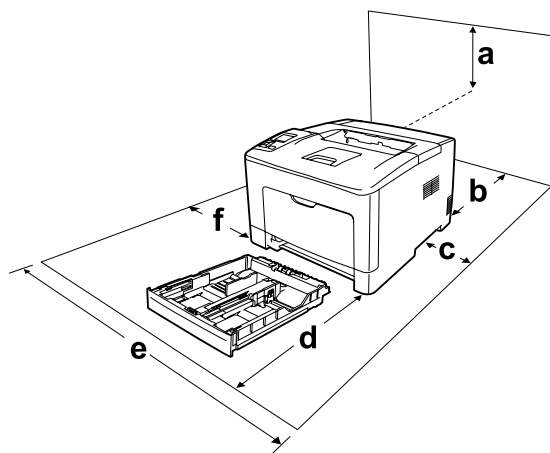
- Avoid sharing outlets with other appliances.
- Connect all equipment to properly grounded power outlets. Avoid using outlets on the same circuit as photocopiers or air control systems that regularly switch on and off.
- Connect your printer to an electrical outlet that meets the power requirements of this printer. Your printer's power requirements are indicated on a label attached to the printer. If you are not sure of the power supply specifications in your area, contact your local power company or consult your dealer.

- ❑ If you use an extension cord, make sure that the total of the ampere ratings on the products plugged into the extension cord does not exceed the extension cord ampere rating.
- ❑ When connecting this product to a computer or other device with a cable, ensure the correct orientation of the connectors. Each connector has only one correct orientation. Inserting a connector in the wrong orientation may damage both devices connected by the cable.
- ❑ Use only optional products, such as the paper cassette units and the printer stand, produced specifically for this product. Using options produced for other products may cause the product to fall over and injure someone.

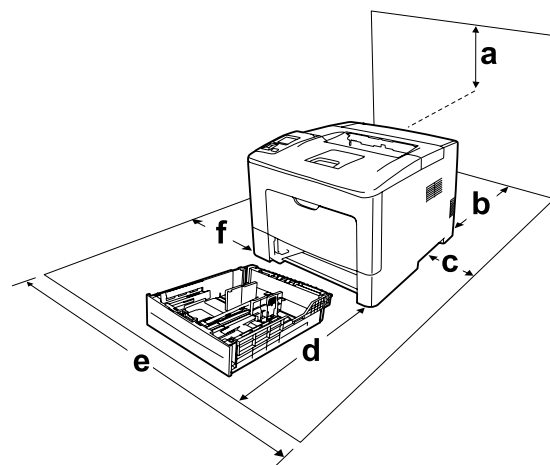
Finding the place for the printer

When relocating the printer, always choose a location that has adequate space for easy operation and maintenance. Use the following illustration as a guide for the amount of space required around the printer to ensure smooth operation.

AL-M300 Series



AL-M400 Series



a.	40cm	b.	40cm
c.	10cm	d.	60cm
e.	90cm	f.	40cm

To install and use any of the following options, you will need the indicated amount of additional space.

AL-M300 Series

A 250-Sheet Paper Cassette Unit adds 6.5 cm to the bottom of the printer.

AL-M400 Series

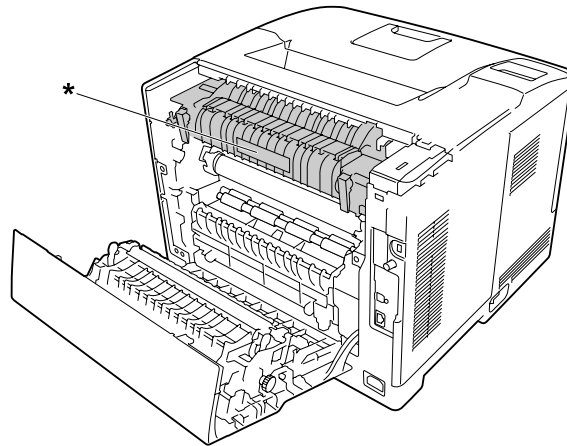
A 550-Sheet Paper Cassette Unit adds 10.0 cm to the bottom of the printer.

In addition to space considerations, always heed the following precautions when finding a place to locate the printer:

- Place the printer near an electrical outlet where you can easily plug in and unplug the power cord.
- Do not put your printer where the cord will be stepped on.
- Do not use printer in a damp environment.
- Avoid locations that are subject to direct sunlight, excessive heat, moisture, oil vapor, or dust.
- Do not place the printer on an unstable surface.
- Slots and openings in the cabinet and the back or bottom are provided for ventilation. Do not block or cover them. Do not put the printer on a bed, sofa, rug, or other similar surface or in a built-in installation unless proper ventilation is provided.
- Keep the entire computer and printer system away from potential sources of interference, such as loudspeakers or the base units of cordless telephones.
- Leave adequate room around the printer to allow for sufficient ventilation.

Using the printer

- ❑ Be careful not to touch the fuser, which is marked with a caution label, or the surrounding areas. If the printer has been in use, the fuser and the surrounding areas may be very hot. If you must touch one of these areas, wait 40 minutes to allow the heat to subside before doing so.



* caution label

- ❑ Do not insert your hand deep into the fuser unit as some components are sharp and may cause injury.
- ❑ Never push objects of any kind through cabinet slots as they may touch dangerous voltage points or short out parts that could result in a risk of fire or electric shock.
- ❑ Do not sit or lean on the printer. Do not put heavy objects on the printer.
- ❑ Do not use any kind of combustible gases in or around the printer.
- ❑ Never force the printer's components into place. Although the printer is designed to be sturdy, rough handling can damage it.
- ❑ Do not leave jammed paper inside the printer. This can cause the printer to overheat.
- ❑ Never spill liquid of any kind on the printer.
- ❑ Adjust only those controls that are covered by the operating instructions. Improper adjustment of other controls may result in damage and may require repair by a qualified service representative.

- Do not turn off the printer:
 - After turning on the printer, wait until **Ready** appears on the LCD panel.
 - While the Ready light is flashing.
 - While the Data light is on or flashing.
 - While printing.
- Avoid touching the components inside the printer unless instructed to do so in this guide.
- Follow all warnings and instructions marked on the printer.
- Except as specifically explained in the printer's documentation, do not attempt to service this product yourself.
- Periodically disconnect the plug from the electrical outlet and clean the blades.
- Do not disconnect the plug while the printer is on.
- If the printer will not be used for a long time, disconnect the plug from the electrical outlet.
- Unplug this printer from the wall outlet before cleaning.
- Use a well-wrung cloth for cleaning and do not use liquid or aerosol cleaners.

Handling the consumable products and maintenance parts

- Do not burn used consumable products or maintenance parts because they might explode and injure someone. Dispose of them according to local regulations.
- Be sure to keep consumable products and maintenance parts out of the reach of children.
- When handling a toner cartridge, always place it on a clean, smooth surface.
- Do not attempt to modify or take it apart consumable products or maintenance parts.
- Do not touch the toner. Always keep toner away from your eyes. If toner gets on your skin or clothes, wash it off with soap and water immediately.
- If toner is spilled, use a broom and dustpan or a damp cloth with soap and water to clean it up. Because the fine particles can cause a fire or explosion if they come into contact with a spark, do not use a vacuum cleaner.
- Wait at least one hour before using a toner cartridge after moving it from a cool to a warm environment to prevent damage from condensation.

- ❑ To get the best print quality, do not store the toner cartridge or photoconductor unit in an area subject to direct sunlight, dust, salty air, or corrosive gases (such as ammonia). Avoid locations subject to extreme or rapid changes in temperature or humidity.
- ❑ When removing the photoconductor unit, do not expose it to sunlight at all and avoid exposing it to room light for more than three minutes. The photoconductor unit contains a light-sensitive drum. Exposure to light can damage the drum, causing dark or light areas to appear on the printed page and reducing the service life of the drum. If you need to keep the photoconductor unit out of the printer for long periods, cover it with an opaque cloth.
- ❑ Be careful not to scratch the surface of the drum. When you remove the photoconductor unit from the printer, always place it on a clean, smooth surface. Avoid touching the drum, since oil from your skin can permanently damage its surface and affect print quality.
- ❑ Do not touch the transfer roller on the transfer unit to avoid damaging it.
- ❑ Do not let the paper's edge slide across your skin because the edge of the paper may cut you.

Safety Information

Laser safety labels



Warning:

The performance of procedures and adjustments other than those specified in the printer's documentation may result in hazardous radiation exposure. Your printer is a Class 1 laser product as defined in the IEC60825 specifications. The label similar to the one shown below is attached to the back of the printer in countries where required.



Internal laser radiation

There is a Class III b Laser Diode Assembly that has an invisible laser beam inside the printer head unit. The printer head unit is NOT A SERVICE ITEM, therefore, the printer head unit should not be opened under any circumstances. An additional laser warning label is affixed to the inside of the printer.

Ozone safety

Ozone emission

Ozone gas is generated by laser printers as a by-product of the printing process. Ozone is produced only when the printer is printing.

Ozone exposure limit

The Epson laser printer generates less than 1.5 mg/h of continuous printing.

Minimize the risk

To minimize the risk of exposure to ozone, you should avoid the following conditions:

- Use of multiple laser printers in a confined area
- Operation in conditions of extremely low humidity
- Poor room ventilation
- Long, continuous printing together with any of the above

Printer location

The printer should be located so that the exhaust gases and heat generated are:

- Not blown directly into the user's face
- Vented directly out of the building whenever possible

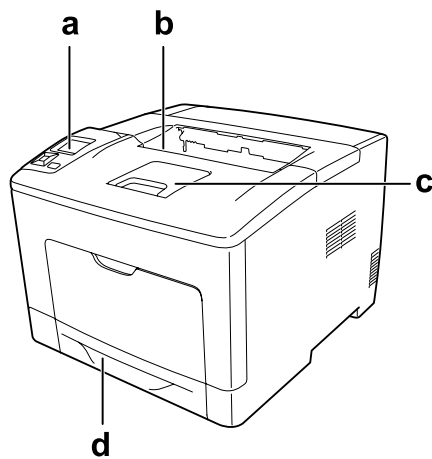
Chapter 1

Getting to Know Your Printer

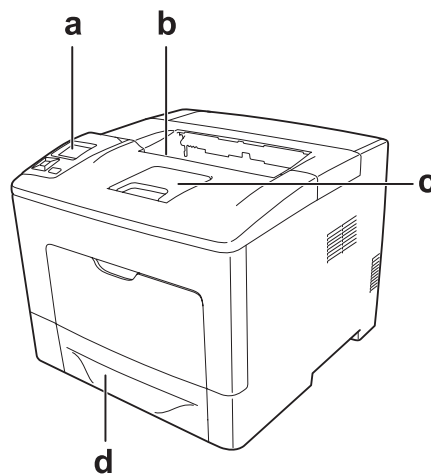
Printer Parts

Front view

AL-M300 Series



AL-M400 Series

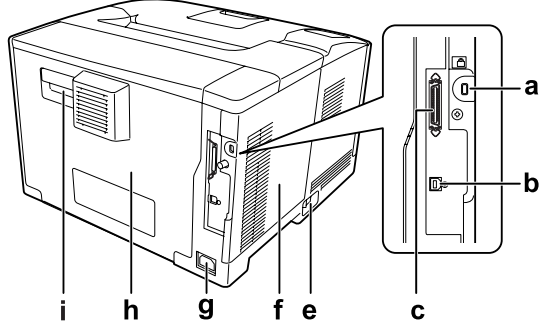


a.	control panel
b.	face-down tray
c.	paper support
d.	standard lower paper cassette

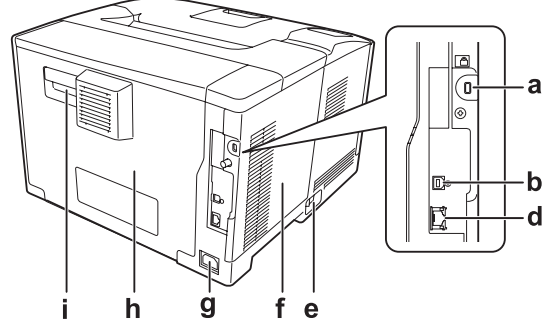
Rear view

AL-M300 Series

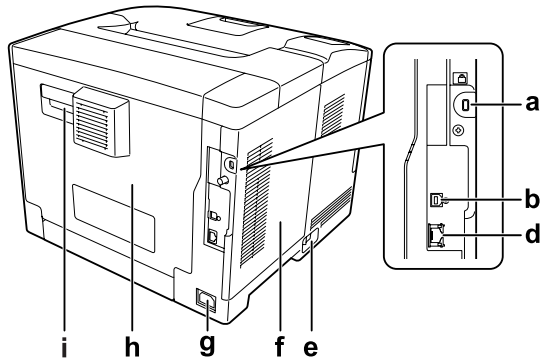
AL-M300D



AL-M300DN



AL-M400 Series



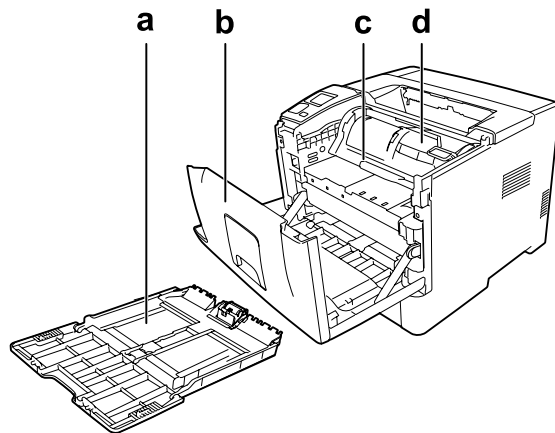
a.	security slot
b.	USB interface connector
c.	(For AL-M300D only) parallel interface connector
d.	(For AL-M300DN/AL-M400 Series) Ethernet interface connector*
e.	power switch
f.	left side cover
g.	AC inlet
h.	cover B

i.	lever B
----	---------

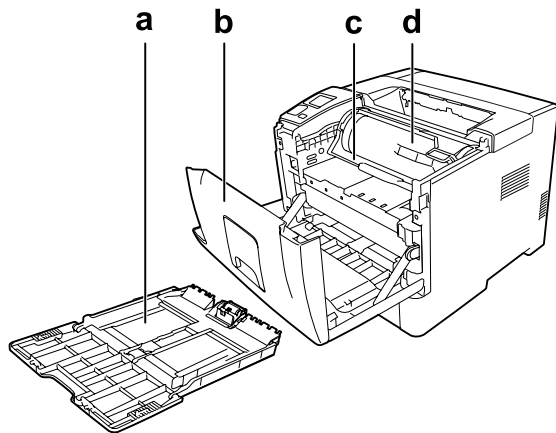
- * When the printer is in the deep sleep mode, the two Ethernet interface connector's LEDs work as follows:
- if the printer is connected with 1000BASE, the upper LED only lights green.
 - if the printer is connected with 10BASE/100BASE, neither LED lights.

Inside the printer

AL-M300 Series

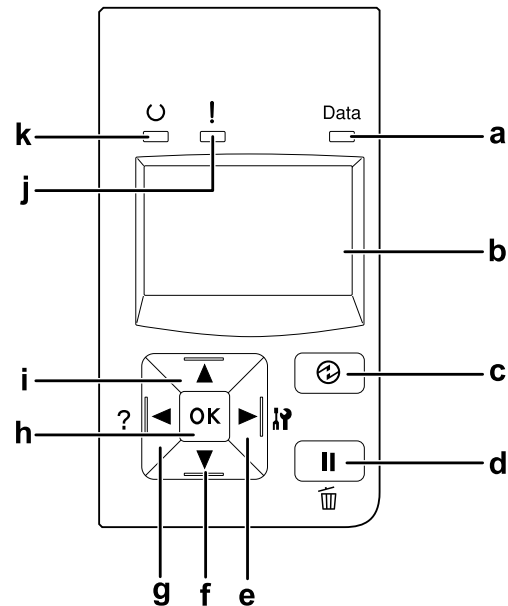


AL-M400 Series



a.	MP tray
b.	cover A
c.	photoconductor unit
d.	toner cartridge

Control panel



a.	Data light (Green)	On when print data is stored in the print buffer (the section of printer memory reserved for receiving data) but not yet printed. Flashes when the printer is processing data. Off when no data remains in the print buffer.
b.	LCD panel	Displays printer status messages and control panel menu settings.
c.	Wakeup/Sleep button (Green)	Press to switch the status between available for printing and saving power. This button lights up when the printer is in the sleep mode (the deep sleep mode). The printer has a power off mode which saves more power consumption as almost all functions are not available. For more details about the power off mode, see "Energy Saver Menu" on page 87.
d.	Pause/Release button	Press once to pause. Press again to recover from pause. While paused, the following operations are available on the control panel. - Canceling the current print job or stored print jobs. - Interrupting print jobs to print a stored print job. - Ejecting a paper (Form Feed) by holding down the OK button for more than 2 seconds. For instructions on these operations, see "Canceling Printing" on page 109, "Interrupting Printing" on page 109 and "Status and Error Messages" on page 94.

e. f. g. h. i.	Right button Down button Left button OK button Up button	Use these buttons to access the control panel menus, where you can make printer settings and check the status of consumable products. For instructions on how to use these buttons, see "Using the Control Panel Menus" on page 60. When the error light is flashing, pressing the OK button clears the error and switches the printer to ready status.
j.	Error light (Orange)	On or flashes when an error has occurred.
k.	Ready light (Green)	On when the printer is ready, indicating that the printer is ready to receive and print data. Off when the printer is not ready, or in the sleep mode.

Options

You can add to your printer's capabilities by installing any of the following options.

- 250-Sheet Paper Cassette Unit (C12C802761) (For AL-M300 Series only)
This unit increases paper feeding capacity up to 250 sheets of paper. You can install only one unit on your printer.
- 550-Sheet Paper Cassette Unit (C12C802771) (For AL-M400 Series only)
This unit increases paper feeding capacity up to 550 sheets of paper. You can install up to three units.
- CompactFlash Memory (For AL-M400 Series only)
This option enables you to store overlay forms, use Reserve Job function, and improve the collate printing environment. By using the Reserve Job function, you can store print jobs in the printer's CompactFlash memory and print them later directly from the printer's control panel. By using the collate printing function, you can print larger and more complex print jobs.

Note:

The CompactFlash memory must be at least 4 GB.

- Memory Module
This option expands the printer's memory by allowing you to print complex and graphics-intensive documents. The printer's RAM can be increased up to 1152 MB by adding an additional 1024 MB RAM DIMM.

Note:

Make sure that the DIMM you purchase is compatible with Epson products. For details, contact the store where you purchased this printer or an Epson qualified service representative.

Consumable Products

The life of the following consumable products is monitored by the printer. The printer lets you know when replacements are needed.

Product name	Product code	
	AL-M300 Series	AL-M400 Series
Standard Capacity Toner Cartridge (Black)	0690	0698
High Capacity Toner Cartridge (Black)	0689	0697
Return High Capacity Toner Cartridge (Black)	0691	0699
Photoconductor Unit (Black)	1228	1230

The life of the following consumable products is monitored by the printer. The printer lets you know when replacements are needed.

Return toner cartridge is not sold in some areas. Contact your local Epson dealer/representative about the availability of the Return toner cartridge scheme.

Maintenance Parts

Product name	Product code	
	AL-M300 Series	AL-M400 Series
Fuser Unit	3049/3050	-
Maintenance Unit	-	3057/3058

Note:

- Fuser unit part numbers vary by location.
- Maintenance unit part numbers vary by location.

Where to Find Information

Setup Guide

Provides you with information on assembling the printer and installing the printer software.

User's Guide (this manual)

Provides you with detailed information on the printer's functions, optional products, maintenance, troubleshooting, and technical specifications.

Network Guide

Provides network administrators with information on both the printer driver and network settings.

Font Guide

Provides you with information on fonts used on the printer.

Online Help for printer software

Click **Help** for detailed information and instructions on the printer software that controls your printer. Online help is automatically installed when you install the printer software.

Printer Features

Power saving performance

The printer has an advanced power saving feature that helps you reduce electricity consumption. In the power off mode*, the printer consumes little electricity by disabling almost all operations. For a detailed explanation, see "Energy Saver Menu" on page 87.

* For EU models only

The printer consumes power as low as about 1 W during Deep Sleep mode because of the new controller. Print job data is received even in this mode.

Print Job Arranger

This function allows printing settings for several documents created by different applications at the same time. You can arrange the order in which jobs are printed and change the layout of the data.

Chapter 2

Printing Tasks

Loading Paper into Your Printer

This section describes how to load paper. If you use special media such as transparencies or envelopes, see also “Selecting and Using Print Media” on page 36. For specifications or details about the paper types and sizes, see “Paper” on page 197 (for AL-M300 Series users), or “Paper” on page 205 (for AL-M400 Series users).

**Important:**

Do not let the paper's edge slide across your skin because the edge of the paper may cut you.

Note:

- ❑ *This printer does not automatically detect paper sizes in the paper sources. Make sure to specify a paper size using the Tray Menu on the control panel. The factory default paper size for all of the paper sources is A4.*
- ❑ *The following procedure uses the illustration of AL-M400DN as an example.*

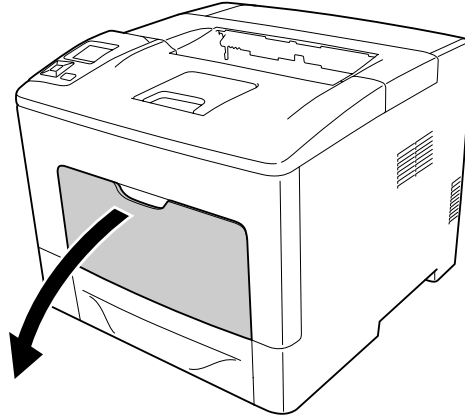
MP tray

The MP tray (Multi-purpose tray) is the paper source that is available for various types of paper, such as labels, envelopes, and thick paper.

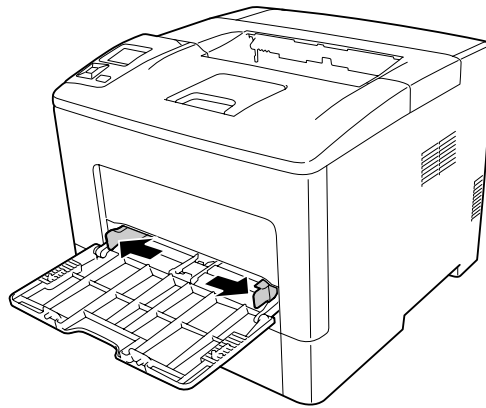
Note:

To load envelopes, see “Envelopes” on page 37.

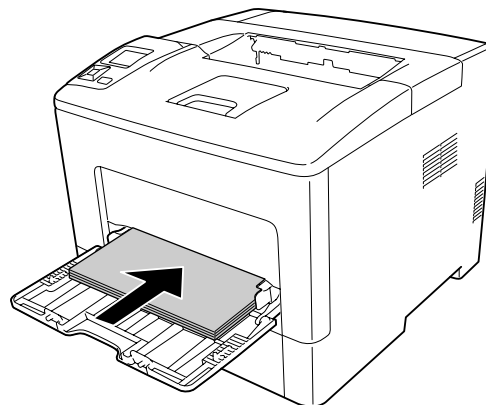
1. Open the MP tray.



2. Slide the paper guides to accommodate the paper you are loading.

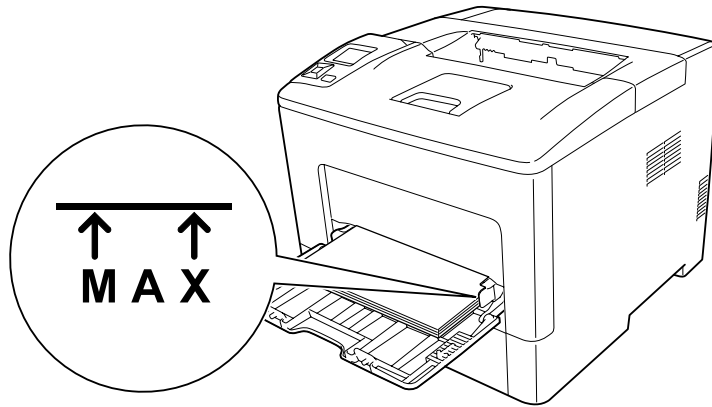


3. Load a stack of the desired paper with the printable surface facing up. Then slide the paper guides to get a snug fit.



Note:

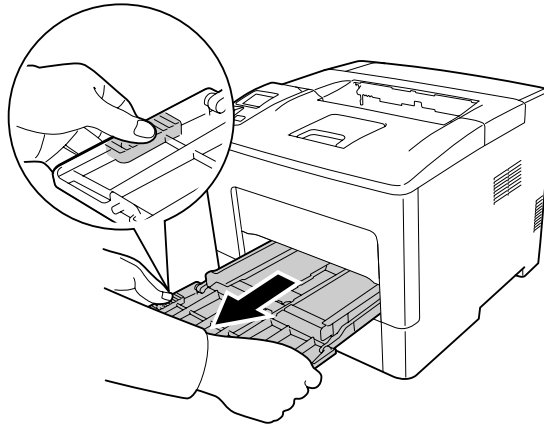
- ❑ *Make sure that you do not load paper beyond the limit mark.*



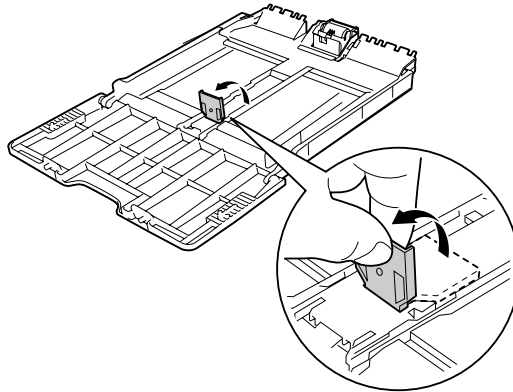
- ❑ *After loading paper, set the MP Type setting on the control panel to match the type of paper loaded. For details, see “Tray Menu” on page 65.*

When loading A5 or smaller paper on the MP tray

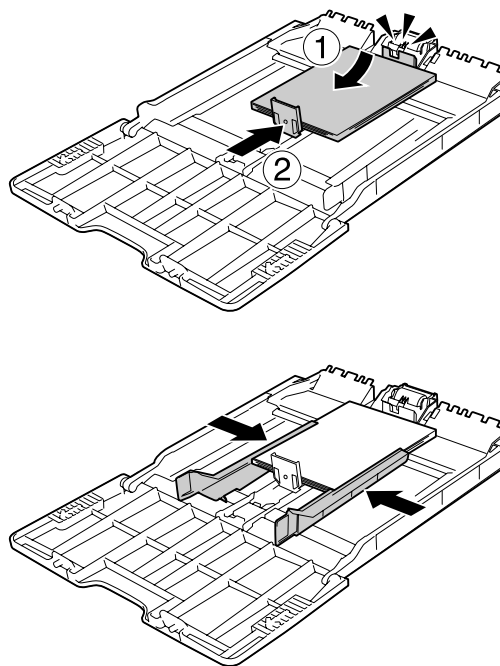
1. Pull out the MP tray.



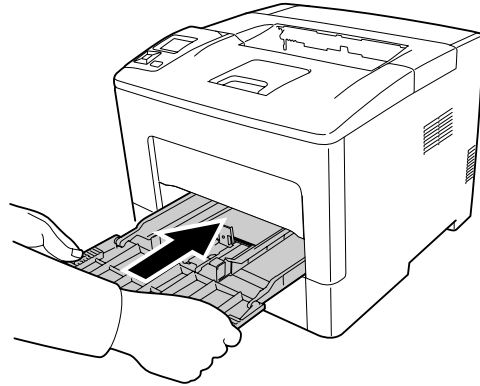
2. Pull up the paper guide in the center of the MP tray.



3. Load a stack of the desired paper on the MP tray with the printable surface facing up. Then slide the paper guides to get a snug fit.



4. Insert the MP tray into the printer.



Note:

After loading paper, set the MP Type setting on the control panel to match the type of paper loaded. For details, see “Tray Menu” on page 65.

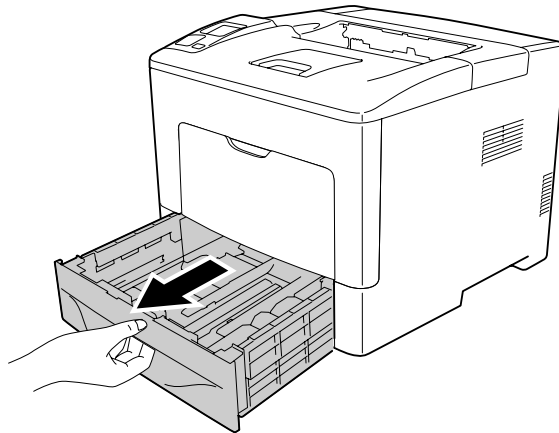
Lower paper cassette

This cassette gives you a second paper source in addition to the MP tray.

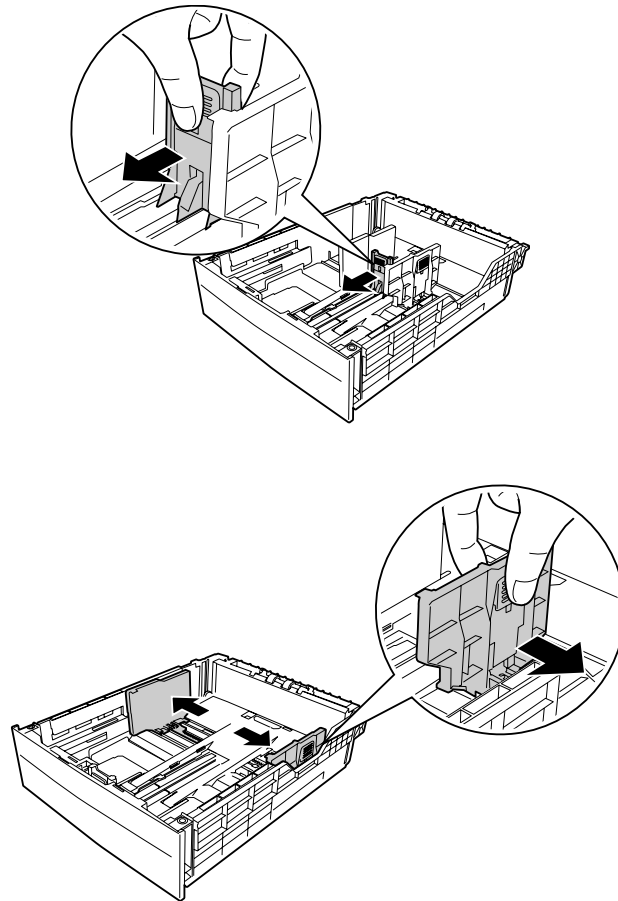
Note:

Perform the same procedure to load paper into the optional paper cassette.

1. Pull out the paper cassette.



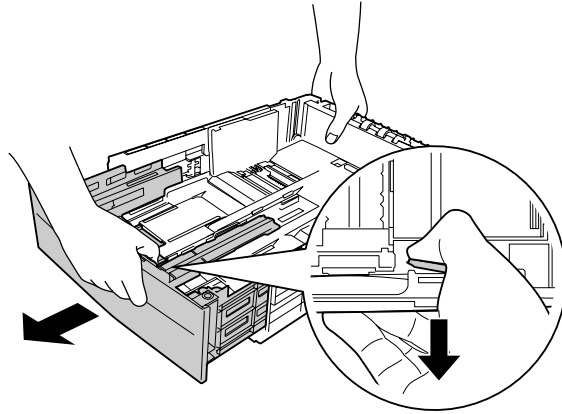
2. Pinch the knobs and slide the paper guides to accommodate the paper you are loading.



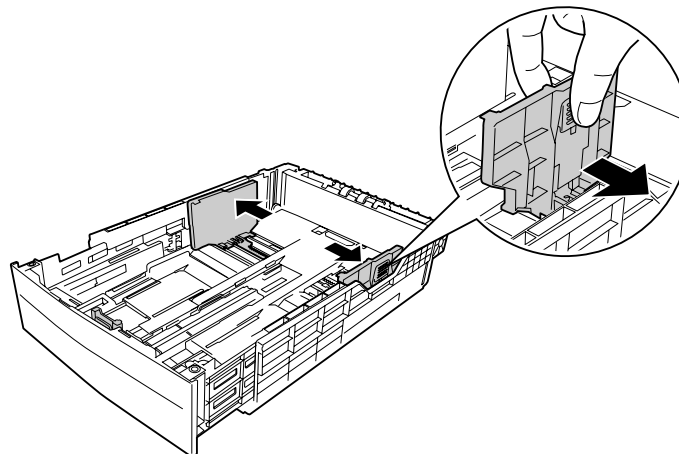
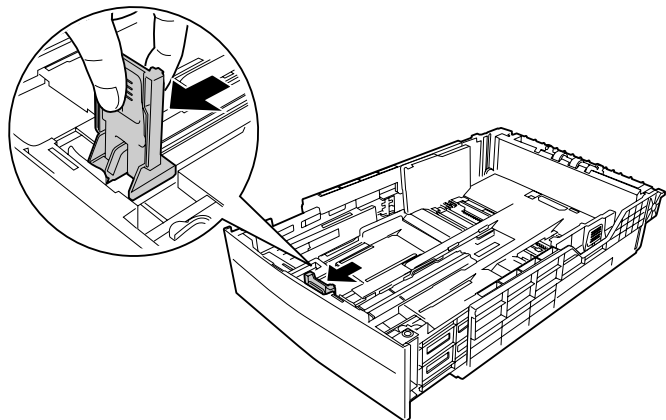
Note:

When loading paper that is 13" or 14" portrait, extend the paper cassette. If you do not need to extend the paper cassette, go to step 5.

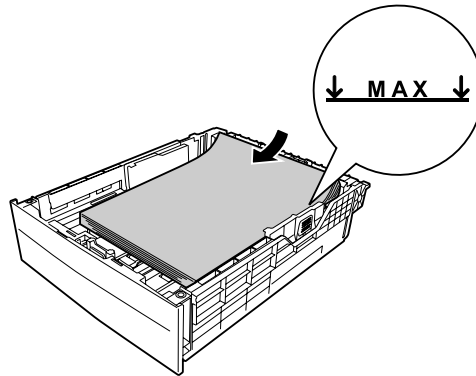
3. Pinch the knobs and pull out the paper tray to extend the paper cassette and align the arrow marks according to the paper size.



4. Pinch the knobs and slide the paper guide to accommodate the paper you are loading.



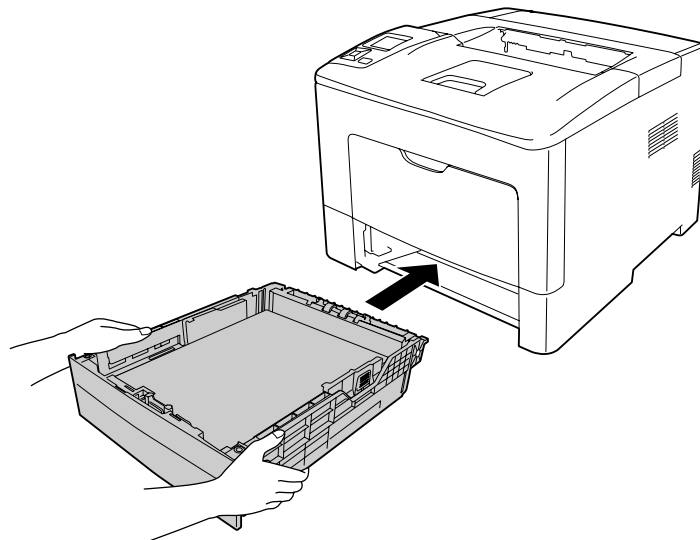
5. Load a stack of the desired paper on the center of the paper cassette with the printable surface facing up.



Note:

Make sure that you do not load paper beyond the limit mark.

6. Reinsert the paper cassette into the printer.

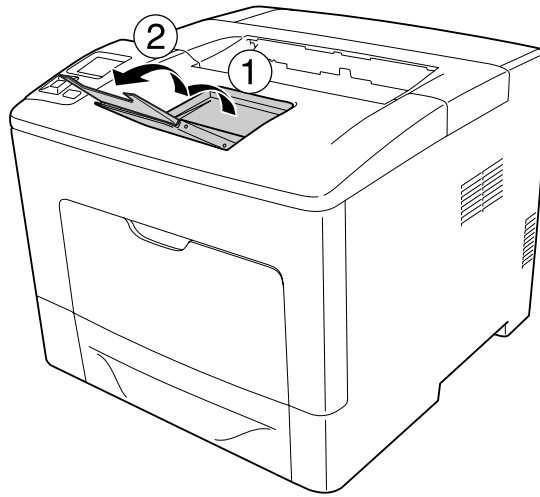


Note:

*After loading paper, set the **Cassette1 Size** and **Cassette1 Type** settings to match the loaded paper size and paper type on the control panel. For details, see “Tray Menu” on page 65.*

Output Tray

The output tray is located on the top of the printer. Since printouts are output face-down, this tray is also referred to as the face-down tray. Up to 150 (for AL-M300 Series) or 250 (for AL-M400 Series) sheets can be stacked when using the plain paper. Extend the paper support to accommodate the size of the paper loaded in the MP tray or lower paper cassette to prevent it from slipping off the printer.



Selecting and Using Print Media

You can use special media, such as labels, envelopes, and thick paper.

When loading special media, you should make paper settings. You can also make these settings on the Tray Menu in the control panel. See “Tray Menu” on page 65.

Note:

Since the quality of any particular brand or type of media may be changed by the manufacturer at any time, Epson cannot guarantee the quality of any type of media. Always test samples of media stock before purchasing large quantities or printing large jobs.

Labels

Available labels

- Labels designed for laser printers or plain-paper copiers
- Labels that completely cover the backing sheet, with no gaps between the individual labels

Available paper source

- MP tray
- Lower paper cassette

Printer driver settings**MP tray**

	Printer driver settings
Paper Size	A4, A5, A6, B5, LT, HLT, LGL, GLT, GLG, EXE, F4
Paper Source	MP Tray
Paper Type	Labels

Lower paper cassette

	Printer driver settings
Paper Size	A4, LT
Paper Source	Cassette 1, Cassette 2 ^{*1} , Cassette 3 ^{*1 *2} , Cassette 4 ^{*1 *2}
Paper Type	Labels

*1 Available only when the optional paper cassette unit is installed.

*2 Available only for AL-M400 Series.

Note:

- Depending on the quality of labels, the printing environment, or the printing procedure, labels might be wrinkled. Make a trial print run before you print on a lot of labels.
- Duplex printing is not available for labels.
- Press a sheet of paper on top of each sheet of labels. If the paper sticks, do not use those labels in your printer.

Envelopes**Available envelopes**

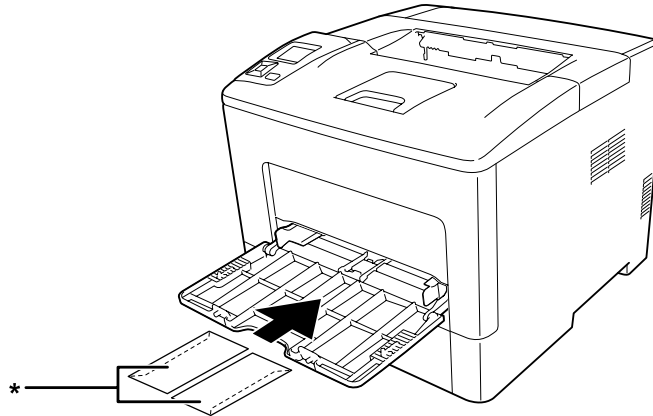
- Envelopes that have no glue or no tape

**Important:**

Do not use window envelopes. The plastic on most window envelopes will melt.

Available paper source

- MP tray



* MON, DL, C6

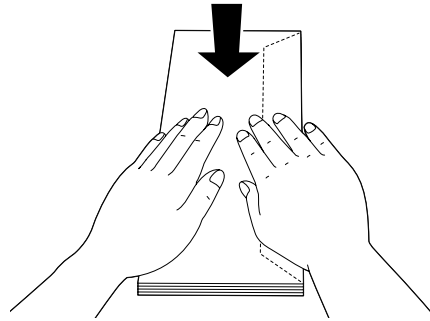
Printer driver settings**MP tray**

	Printer driver settings
Paper Size	MON, DL, C6
Paper Source	MP Tray
Paper Type	Envelope

Note:

- Depending on the quality of envelopes, the printing environment, or the printing procedure, envelopes might be wrinkled. Make a trial print run before you print on a lot of envelopes.*
- Duplex printing is not available for envelopes.*

- ❑ *If you do not load envelopes in the MP tray right after they have been removed from the packaging, they may bulge. To avoid jams, flatten them as shown below before loading them in the MP tray.*



- ❑ *If envelopes do not feed well, reducing the number of envelopes that are loaded may solve the problem.*

Thick paper

Available paper source

- ❑ MP tray
- ❑ Lower paper cassettes

Printer driver settings

MP tray

	Printer driver settings
Paper Size	A4, A5, A6, B5, LT, HLT, LGL, GLT, GLG, EXE, F4
Paper Source	MP Tray
Paper Type	Thick (for 106 to 163 g/m ² paper), Extra Thick (for 164 to 216 g/m ² paper)

Lower paper cassettes

	Printer driver settings
Paper Size	A4, A5, A6* ¹ , B5, LT, HLT, LGL, GLT, GLG, EXE, F4
Paper Source	Cassette 1, Cassette 2* ² , Cassette 3* ² * ³ , Cassette 4* ² * ³
Paper Type	Thick (for 106 to 163 g/m ² paper), Extra Thick (for 164 to 216 g/m ² paper)

*¹ Available only for Cassette 1.

*² Available only when the optional paper cassette unit is installed.

*³ Available only for AL-M400 Series.

Note:

- Duplex printing is not available for Extra Thick.
- If performing manual duplex (2-sided) printing, ensure that the paper is not curled.

Custom paper size**Available paper source**

- MP tray
- Lower paper cassettes

Printer driver settings**MP tray**

	Printer driver settings
Paper Size	User Defined Size*
Paper Source	MP Tray
Paper Type	Plain, Semi-Thick, Preprinted, Letterhead, Recycled, Color, Labels, Thick, Extra Thick, Special

* 76.2 × 127 mm at minimum and 215.9 × 355.6 mm at maximum.

Lower paper cassettes

	Printer driver settings
Paper Size	User Defined Size ^{*1}
Paper Source	Cassette 1, Cassette 2 ^{*2} , Cassette 3 ^{*2 *3} , Cassette 4 ^{*2 *3}
Paper Type	Plain, Semi-Thick, Preprinted, Letterhead, Recycled, Color, Labels, Thick, Extra Thick, Special

^{*1} 76.2 × 127 mm at minimum and 215.9 × 355.6 mm at maximum for Cassette 1

139.7 × 210 mm at minimum and 215.9 × 355.6 mm at maximum for Cassette 2, Cassette 3, and Cassette 4

^{*2} Available only when the optional paper cassette unit is installed.

^{*3} Available only for AL-M400 Series.

Note:

- Depending on the quality of the non-standard size paper, the printing environment, or the printing procedure, the paper might skew. Make a trial print run before you print on a lot of non-standard size paper.
- Duplex printing is not available for Extra Thick.
- For Windows, access the printer driver, then select **User Defined Size** from the Paper Size list on the Basic Settings tab. In the User defined Paper Size dialog box, adjust the Paper Width, Paper Length, and Unit settings to match your custom paper. Then click **OK** and your custom paper size will be saved.
- The saved paper sizes can only be used with the printer driver you saved them to. Even if multiple printer names are set for a printer driver, the settings can be available only for the printer name in which you saved the settings.
- When sharing the printer on a network, you cannot create User Defined Size at the client.
- If you cannot use the printer driver as explained above, make this setting at the printer by accessing the control panel's Printing Menu and selecting CTM (custom) as the Page Size setting.

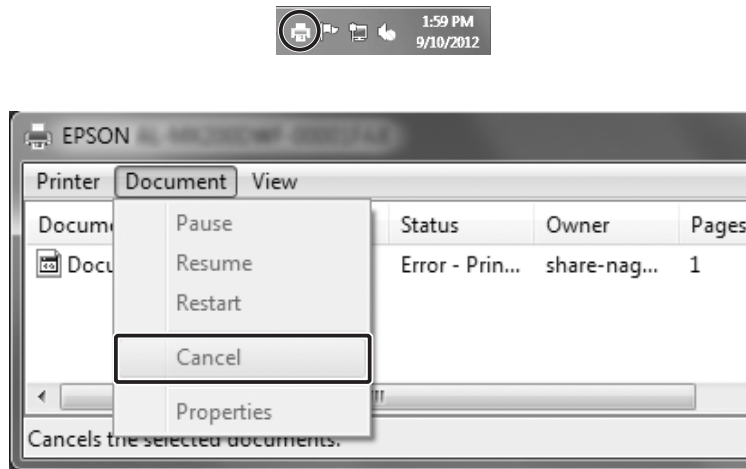
Canceling a Print Job**From the printer**

To cancel a print job on the printer's control panel, see "Canceling Printing" on page 109.

From the computer

For Windows users

Double-click your printer's icon on the taskbar. Select the job in the list, then click **Cancel** from the Document menu.



Setting the Print Quality

You can change the print quality of printouts through settings in the printer driver.

In the Automatic setting, you can select a print mode according to your printing purpose. The printer driver makes optimal settings depending on the print mode you have selected. In the Advanced setting, you have more setting options.

Note:

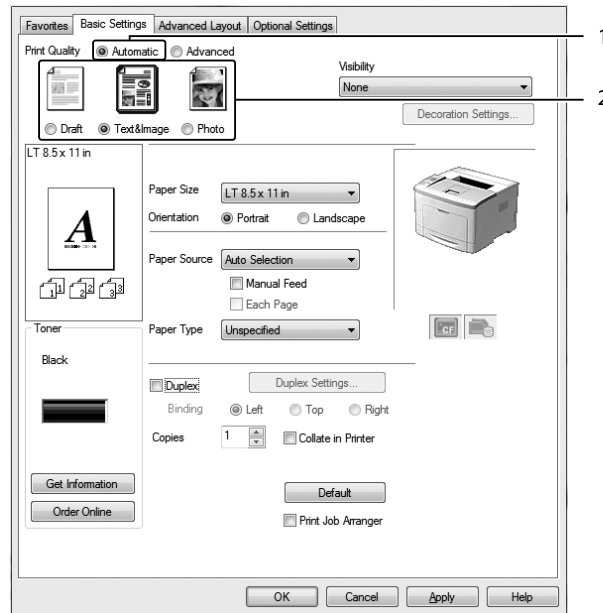
The printer driver's online help provides details on printer driver settings.

Using the Automatic setting

For Windows users

1. Click the **Basic Settings** tab.

- Click **Automatic**, then choose desired printing quality.



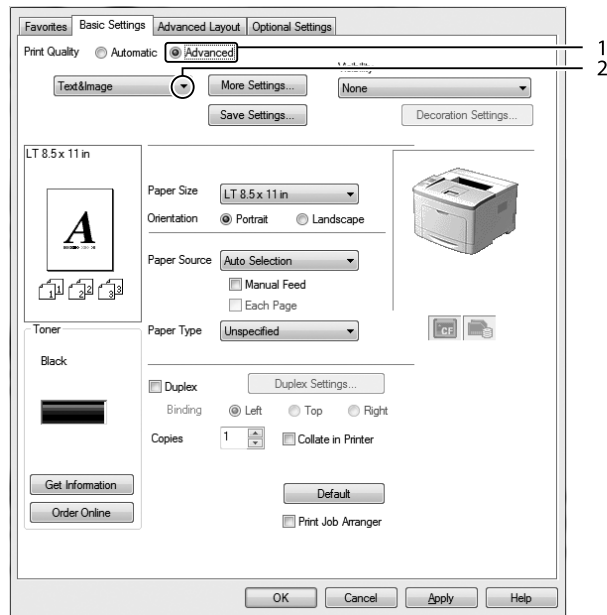
- Click **OK**.

Using the Advanced setting

For Windows users

- Click the **Basic Settings** tab.

2. Select **Advanced**. Then select the most appropriate setting from the list according to the type of document or image you want to print.



When you choose a predefined setting, other settings such as Print Quality and Graphics are set automatically. Changes are shown in the current settings list on the Setting Information dialog box that appears by pressing the **Setting Info** button on the Optional Settings tab.

Customizing print settings

If you need to change detailed settings, make the settings manually.

For Windows users

1. Click the **Basic Settings** tab.
2. Select **Advanced**, then click **More Settings**.
3. Make appropriate settings. For details about each setting, see online help.
4. Click **OK**.

Saving your settings

You can save your custom settings.

Note:

- ❑ You cannot use a predefined setting name for your custom settings.
- ❑ The saved custom settings can only be used with the printer driver you saved them to. Even if multiple printer names are set for a printer driver, the settings can be available only for the printer name in which you saved the settings.
- ❑ You cannot delete predefined settings.

For Windows users**Note:**

When sharing the printer on a network, Save Settings is grayed out and you cannot create a custom setting at the client.

1. Click the **Basic Settings** tab.
2. Select **Advanced**, then click **Save Settings** to open the Custom Settings dialog box.
3. Type a name for your custom settings in the Name box, then click **Save**.

Your settings will appear in the drop-down list which appears when Advanced is selected on the Basic Settings tab.

Note:

To delete a custom setting, follow the step 1 and 2, select the setting in the Custom Settings dialog box, then click **Delete**.

You can create new settings in the More Settings dialog box. When you create new settings, Custom Settings is displayed in the list on the Basic Settings tab. In this case, the original setting is not overwritten. To save the new settings, save them under a new name.

Toner Save mode

To reduce the amount of toner used in printing documents, you can print rough drafts using the Toner Save mode.

For Windows users

1. Click the **Basic Settings** tab.
2. Select **Advanced**, then click **More Settings** to open the More Settings dialog box.

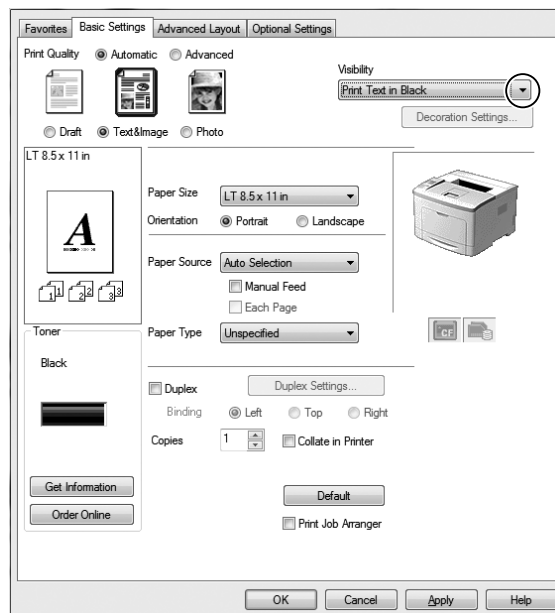
3. Select the **Toner Save** check box, then click **OK**.

Improving the clarity of color documents

Printing text clearly in black

When you print a color document, the quality of text can be made more legible by printing it in black.

1. Click the **Basic Settings** tab.
2. Select **Print Text in Black** from the Visibility drop-down list.



3. Click **OK**.

Enhancing color documents

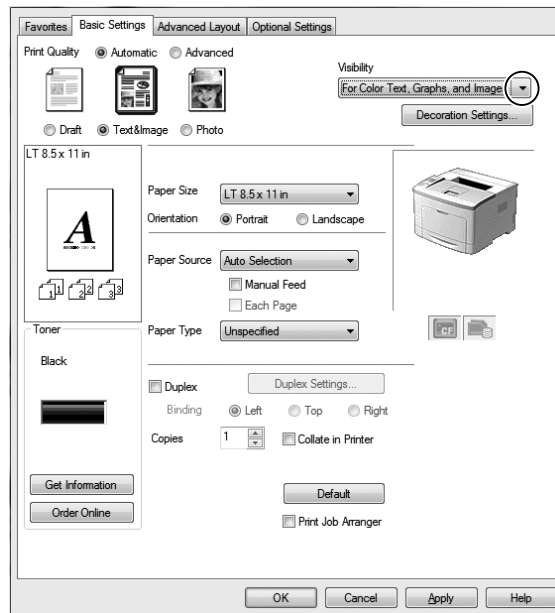
When you print a color document, the quality of document can be improved by printing text, graphs, and images enhanced with black.

Note:

- ❑ This function is only for Microsoft Office Excel, Word, and PowerPoint in Windows XP, 2003, 2007, and 2010.
- ❑ Set **Grayscale to On** when you print from Microsoft PowerPoint.

- ❑ Text, that is 96 pt or larger, cannot be enhanced.
- ❑ Images, such as photos, in print data may have low quality.
- ❑ Printing speed may slow down.
- ❑ The amount of toner consumed may increase with some color documents.

1. Click the **Basic Settings** tab.
2. Select **For Color Text, Graphs, and Images** from the **Visibility** drop-down list.



Note:

You can select **For Color Text** when you print only text and **For Color Graphs and Images** when you do not need to enhance texts.

3. Click **Decoration Settings**, and select appropriate settings in the Decoration Settings dialog box.

Adjusting the weight of thin lines

Thin lines can be printed in thicker lines as visible.

1. Click the **Basic Settings** tab.

2. Select **Advanced**, then click **More Settings** to open the More Settings dialog box.
3. Select the **Dot Correction** check box, then click **OK**.

The default setting for the Dot Correction is on.

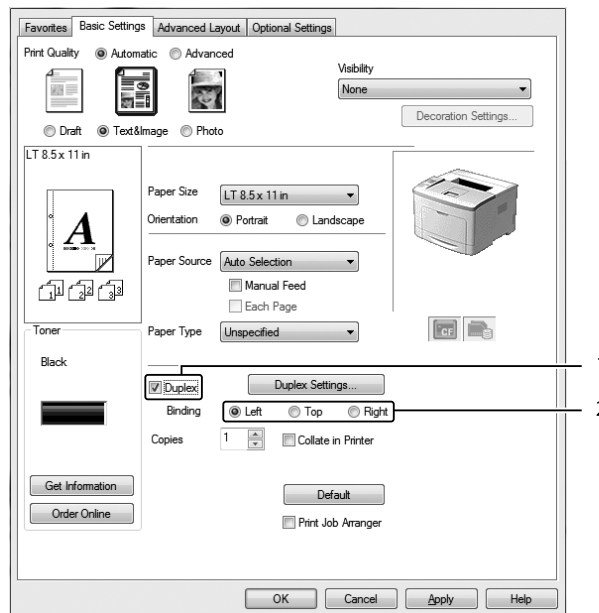
Setting the Advanced Layout

Duplex printing

This function allows you to print on both sides of the paper automatically by installing the optional Duplex Unit.

For Windows users

1. Click the **Basic Settings** tab.
2. Select the **Duplex** check box, then select **Left**, **Top**, or **Right** as the binding position.



3. If you want to make detailed settings, click **Duplex Settings** to open the Duplex Settings dialog box.

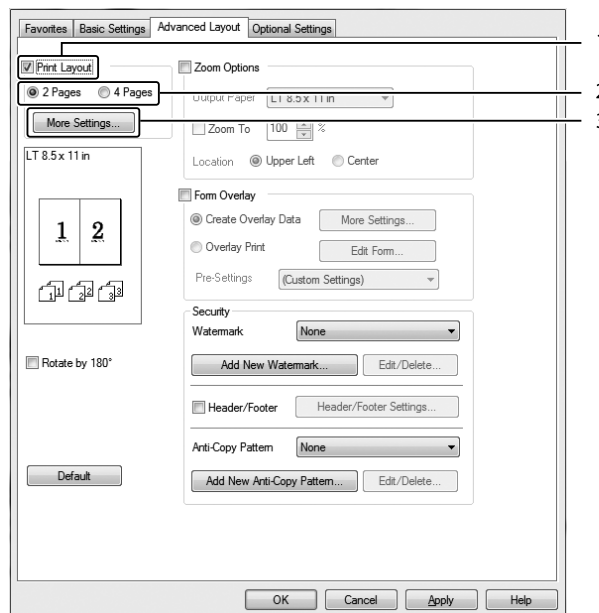
4. Make appropriate settings. For details about each setting, see online help.
5. Click **OK**.

Modifying the print layout

This function allows you to print multiple pages on single sheets of paper.

For Windows users

1. Click the **Advanced Layout** tab.
2. Select the **Print Layout** check box and the number of pages you want to print on one sheet of paper.
3. If you want to make detailed settings, click **More Settings**. The Print Layout Settings dialog box appears.



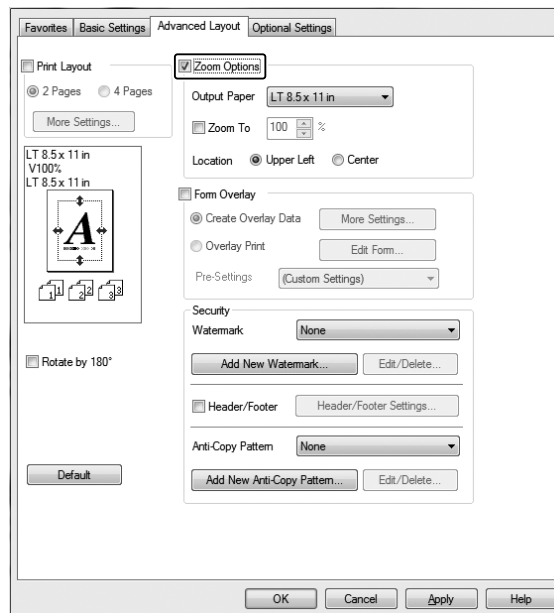
4. Make appropriate settings. For details about each setting, see online help.
5. Click **OK**.

Resizing printouts

This function allows you to enlarge or reduce your document.

For Windows users

1. Click the **Advanced Layout** tab.
2. Select the **Zoom Options** check box.



3. If you want to resize pages automatically to fit the output paper, select the desired paper size from the Output Paper drop-down list.
If you want to resize pages by a specified magnification, select the **Zoom To** check box, then specify the percentage. You can also select the output paper size.
4. Select **Upper Left** (to print reduced page image at upper left corner of the paper) or **Center** (to print reduced page image with centering) for Location setting.

Note:

*This setting is not available when you select **Zoom To** check box.*

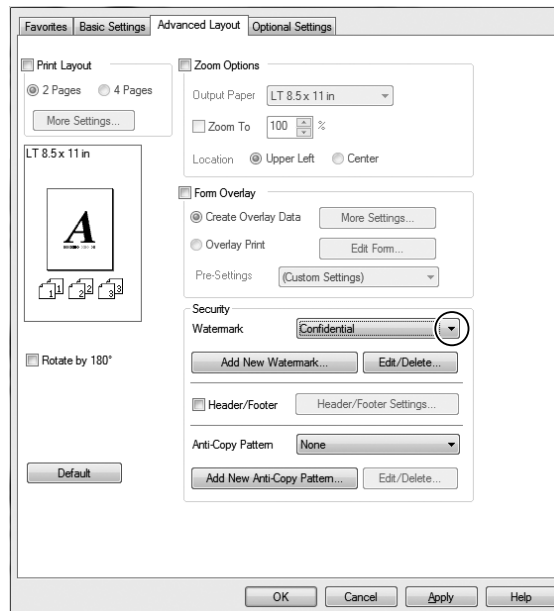
5. Click **OK**.

Printing watermarks

This function allows you to print a text-based or image-based watermark on your document.

For Windows users

1. Click the **Advanced Layout** tab.
2. Select a watermark that you want to use from the Watermark drop-down list.



3. If you want to make detailed settings, click **Edit/Delete**, and make appropriate settings. For details about each setting, see online help.
4. Click **OK**.

Making a new watermark

For Windows users

1. Click the **Advanced Layout** tab.
2. Click **Add New Watermark**.
3. Select **Text** or **BMP** and type a name for the new watermark in the Name box.

4. If you select **Text**, type the watermark text in the Text box. If you select **BMP**, select the BMP file you want to use, then click **Open**.
5. Click **OK**.

Note:

- You can register up to 10 original watermarks.
- To edit the saved watermark, click **Edit/Delete** on the Advanced Layout tab, select the watermark you want to edit in the Name box, and make appropriate settings, then click **OK**.
- To remove the saved watermark, click **Edit/Delete** on the Advanced Layout tab, select the watermark you want to delete in the Name box, then click **Delete**.
- The saved watermarks can only be used with the printer driver you saved them to. Even if multiple printer names are set for a printer driver, the settings can be available only for the printer name in which you saved the settings.
- When sharing the printer on a network, you cannot create a user defined watermark at the client.

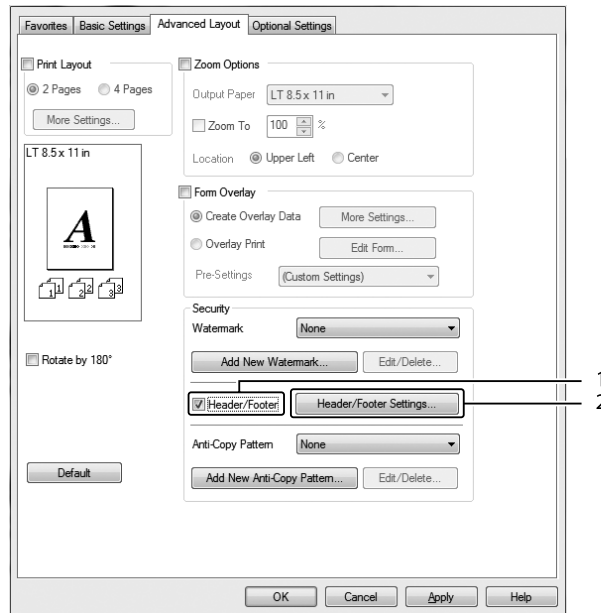
Printing headers and footers

This function allows you to print user name, computer name, date, time, or collate number, at the top or bottom of each page in a document.

For Windows users

1. Click the **Advanced Layout** tab.

2. Select the **Header/Footer** check box, then click **Header/Footer Settings**.



3. Select the items from the drop-down list.

Note:

- If you select **Collate Number**, the number of copies is printed.
- When using the reserve job function, you cannot select Collate Number.

4. Click **OK**.

Printing with an overlay

This function allows you to print a standard form or letterhead onto the original document.

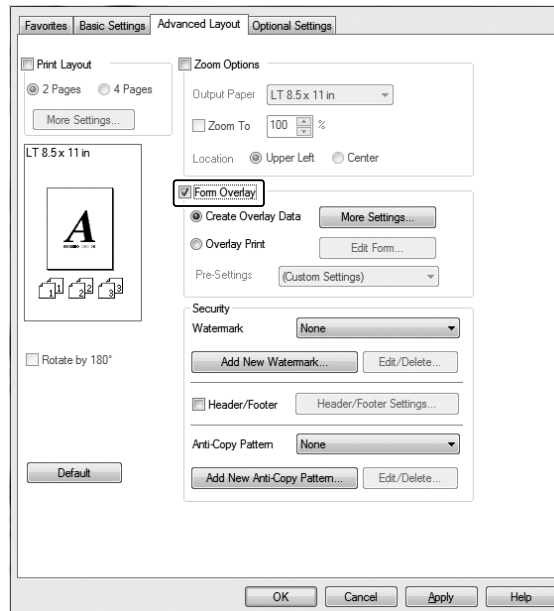
Note:

- This function is for Windows only.
- The overlay function is available only when **High Quality (Printer)** is selected for the Printing Mode in the Extended Settings dialog box from the Optional Settings tab.

Creating an overlay

1. Click the **Advanced Layout** tab.

2. Select the **Form Overlay** check box.



3. Select **Create Overlay Data**, then click **More Settings**. The Create Form dialog box appears.
4. Type the form name in the Form Name box and its description in the Description box.
5. Select **Foreground Document** or **Background Document** to specify whether the overlay will be printed as foreground or background of the document.
6. Select the **Assign to Paper Source** check box to display the form name in the Paper Source drop-down list on the Basic Settings tab.
7. Click **OK**.

Note:

- ❑ To change the settings of the overlay form data you created, access the printer driver and follow the step 1 and 2 above. Note that on the step 3, select **Overlay Print**, then click **Edit Form**.
- ❑ The following 9 characters cannot be used for form names: \ / : * ? " < > |.

Printing an overlaid document

You can select the registered form data from the Paper Source drop-down list on the Basic Settings tab. For registering form data in the Paper Source, see step 6 in “Creating an overlay” on page 53. If overlay form data is not registered in the Paper Source or if you want to make detailed settings, follow the steps below.

1. Click the **Advanced Layout** tab.
2. Select the **Form Overlay** check box.
3. Select the **Overlay Print** check box, then click **More Settings**. The Form Selection dialog box appears.
4. Make appropriate settings. For details about each setting, see online help.

Note:

If you cannot select the form from the application, access the printer driver from the operating system. For details, see “Accessing the printer driver” on page 169.

5. Click **OK**.

Saving an overlaid form pre-settings

This function allows you to save the settings you made from “Creating an overlay” on page 53.

1. From the Form Selection dialog box, click **Save/Delete**. To open the dialog box, see “Printing an overlaid document” on page 55.
2. Type the pre-settings name in the Form Pre-Settings Name box, then click **Save**. Your pre-settings name will appear in the Form Pre-Settings drop-down list in the Form Selection dialog box.
3. Click **OK**. Your pre-settings name will appear in the Pre-Settings drop-down list in the Advanced Layout dialog box.

Note:

- To delete an overlaid form pre-setting, follow the step 1, select the pre-settings name you want to delete from Form Pre-Settings drop-down list, click **Delete**, and then click **OK**.*
- You can save up to 20 pre-settings.*

Printing the copy-protected document

This function allows you to print a document as a copy-protected document. When you try to copy a copy-protected document, “COPY” is printed several times on the document.

Note:

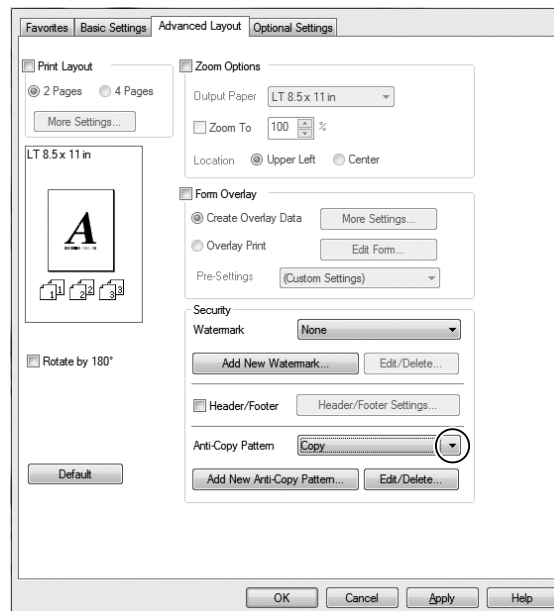
- ❑ *Epson will not guarantee to secure from information leakage and any other damage by using this function, nor hidden letters appear in all cases.*
- ❑ *Screen-tone may be too dark, hidden letters may not be printed on the entire print, or hidden letters may not appear when photocopied depends on the models, settings, and combinations of photocopiers, fax machine, input device such as digital cameras and scanners, output device such as printers; printer driver settings of this product; condition of consumables such as toner and output paper type.*

For Windows users

Note:

With this function, the Print Quality setting is changed to **Fine**, and the Toner Save setting is disabled. Form Overlay function is also disabled.

1. Click the **Advanced Layout** tab.
2. Select **Copy** from the Anti-Copy Pattern drop-down list.



3. If you want to make detailed settings, click **Edit/Delete**, and make appropriate settings. For details about each setting, see online help.
4. Click **OK**.

Printing Multiple Print Jobs at Once

This function allows you to print several documents created by different applications at once arranging settings, such as the printing order, duplex, and the print layout.

1. Click the **Basic Settings** tab.
2. Select the **Print Job Arranger** check box.
3. Click **OK**.

The Print Job Arranger screen appears when a print job is executed. Make appropriate settings. For details, see the Print Job Arranger help.

Using the Reserve Job Function

This function allows you to store print jobs on the printer's memory and to print them later directly from the printer's control panel. You can prevent the printed document from being looked at by other people by applying a password to the print job.

This function uses the following types of printer memory.

Printer's Storage	Description
CompactFlash*	The optional CompactFlash memory must be installed on your printer in order to use the Reserve Job function. Make sure that the CompactFlash memory is correctly recognized by the printer driver before you start using the Reserve Job function. The CompactFlash memory must be at least 4 GB.
RAM Disk	<p>An additional memory must be installed on your printer in order to use the Reserve Job function.</p> <p>To enable the RAM disk, you have to set the RAM Disk setting on the control panel to Normal or Maximum. For instructions about increasing your printer's memory, see "Installing a memory module" on page 116.</p> <p>After the memory module is installed, you must update the option information. See "Making Optional Settings" on page 170.</p> <p>For AL-M400 Series users: When both CompactFlash memory and a RAM disk are installed, CompactFlash memory is given priority and makes the RAM disk unavailable.</p>

* Available only for AL-M400 Series.

The table below gives an overview of the Reserve Job options.

Reserve Job Option	Description
Re-Print Job	Lets you print the job now and store it on the printer's memory. You can print the same job several times.
Verify Job	Lets you print one copy now to verify the content. You can print multiple copies later.
Stored Job*	<p>Lets you store the print job on the printer's memory without printing it now.</p> <p>Note: <i>This option is not available when you have installed the optional RAM disk.</i></p>
Confidential Job	Lets you apply a password to the print job. You can print the job entering the password on the printer's control panel.

* Available only for AL-M400 Series.

Sending the print job

For Windows users

1. Click the **Optional Settings** tab, then click **Reserve Jobs Settings**. The Reserve Jobs Settings dialog box appears.
2. Select the **Reserve Job On** check box, then select **Re-Print Job**, **Verify Job**, or **Confidential Job**.

3. Enter a user name and job name in the corresponding text boxes. If you selected **Confidential Job**, enter a four-digit number in the password text box to set the password.

Note:

*If you want to create a thumbnail of the first page of a job, select the **Create a thumbnail** check box. Thumbnails can be accessed by entering `http://` followed by the internal print server's IP address in a Web browser.*

4. Click **OK**.

Note:

The OK button becomes available after both the user name and job name have been entered.

If you selected **Re-Print Job**, the printer prints your document. If you selected **Verify Job**, the printer prints one copy of your document.

To print or delete this data using the printer's control panel, see "Printing and Deleting Reserve Job Data" on page 106.

Chapter 3

Using the Control Panel

Using the Control Panel Menus

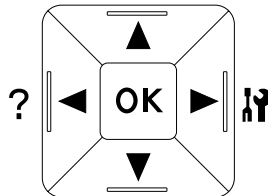
When to make control panel settings

In general, printer driver settings override settings made using the control panel. You should make the following settings by using the control panel because these settings cannot be made in the printer driver.

- Settings to select emulation modes and IES (Intelligent Emulation Switching) mode
- Settings to specify a channel and configure the interface
- Settings to specify the size of the memory buffer used to receive data

How to access the control panel menus

1. Press the ► **Right** button to access the control panel menus.



2. Use the ▲ **Up** and ▼ **Down** buttons to scroll through the menus.
3. Press the ► **Right** button to view the items in a menu. Depending on the menu, the LCD panel displays an item and the current setting separated (◆YYY=ZZZZ), or only an item (◆YYY).
4. Use the ▲ **Up** and ▼ **Down** buttons to scroll through the items, or press the ◀ **Left** button to return to the previous level.

5. Press the ► **Right** button to carry out the operation indicated by an item, such as printing a configuration status sheet or resetting the printer, or to view the settings available for an item, such as paper sizes or emulation modes.

Use the ▲ **Up** and ▼ **Down** buttons to scroll through available settings, then press the ► **Right** button to select a setting and return to the previous level. Press the ◀ **Left** button to return to the previous level without changing the setting.

Note:

- ❑ *You need to turn the printer off and then on to activate some settings. For details, see “Control Panel Menus” on page 62.*
- ❑ *The **OK** button can be used instead of the ► **Right** button in step 3 or 5.*

6. Press the ◀ **Left** button once or more times to exit the control panel menus.

How to register menus as bookmarks

By registering bookmarks for frequently used menus, you can display the registered menus by just pressing the **OK** button while the LCD panel displays `Ready`.

Note:

The maximum number of menus you can register as bookmarks is 3.

1. Display the menu to register. For details, see “How to access the control panel menus” on page 60.
2. Press the **OK** button for more than two seconds.

The `Add Bookmark` menu appears.

Note:

Some menus cannot be bookmarked. If you tried to register them, `Bookmark Failed` is displayed.

3. Press the ▲ **Up** and ▼ **Down** buttons to select the menu to delete, then press the ► **Right** button.

Note:

To register a new menu, you have to delete one of the registered menus from the bookmark.

If `Bookmark Registered` is displayed, the menu is bookmarked successfully.

Note:

To restore the bookmark menus to the default values, select `SelectType Init` from the control panel's Reset Menu.

Control Panel Menus

Note:

Some menus and items appear only when a corresponding optional device is installed or an appropriate setting has been done.

Information Menu

Press the **▼ Down** or **▲ Up** button to select an item. Press the **► Right** button to print a sheet or font sample.

Item	Values
Print Configuration Status Sheet	-
Print Supplies Status Sheet	-
Print Usage History Sheet	-
Reserve Job List* ¹	-
Form Overlay List* ²	-
Network Status Sheet* ³ * ⁴	-
USB Extl/FStatusSht* ⁵	-
PS3 Status Sheet	-
PS3 Font List	-
PCL Font Sample	-
ESCP2 Font Sample	-
FX Font Sample	-
I239X Font Sample	-
Toner	E*****F to E F

Item	Values
Photocon	E*****F to E F
Fuser Unit Life*6	E*****F to E F
Maintenance Unit Life*2	E*****F to E F
Total Pages	0 to 99999999

*1 Available only when the jobs are stored by using the Quick Print Job feature.

*2 Available only for AL-M400 Series.

*3 Available only when the Network I/F setting in Network Menu is set to On.

*4 Available only for AL-M300DN and AL-M400 Series.

*5 Available only when the printer is connected to a USB device with D4 support and has been turned on when the USB I/F setting is set to On.

*6 Available only for AL-M300 Series.

Print Configuration Status Sheet

Prints a sheet showing the current printer settings and installed options. This sheet can be useful to confirm whether option have been installed correctly.

Print Supplies Status Sheet

Prints a sheet showing information about consumables.

Print Usage History Sheet

Prints a sheet showing the history of the printer's usage.

Reserve Job List

Prints a list of reserved print jobs stored on the printer's memory.

Form Overlay List (For AL-M400 Series only)

Prints a list of form overlays stored on the printer's memory.

Network Status Sheet (For AL-M300DN and AL-M400 Series only)

Prints a sheet showing the working status of the network.

USB Extl/FSStatusSht

Prints a sheet showing the working status of the USB interface.

PS3 Status Sheet

Prints a sheet showing information about the PS3 mode such as the PS3 version.

PS3 Font List, PCL Font Sample, ESCP2 Font Sample, FX Font Sample, I239X Font Sample

Prints a sample of the fonts available for your selected printer emulation.

Toner

The number of asterisks (*) between “E” and “F” indicates the remaining service lives of consumables. If a non-genuine consumable is used, “?” is displayed instead of the indicator.

Photocon

The number of asterisks (*) between “E” and “F” indicates the remaining service life of the photoconductor unit.

Fuser Unit Life (For AL-M300 Series only)

The number of asterisks (*) between “E” and “F” indicates the remaining service life of the fuser unit.

Maintenance Unit Life (For AL-M400 Series only)

The number of asterisks (*) between “E” and “F” indicates the remaining service life of the maintenance unit.

Total Pages

Displays the total number of pages printed by the printer.

System Information Menu

The following information is displayed.

- Main Version
- MCU Version
- Serial No

- Memory
- MAC Address

Tray Menu

Item	Settings (default in bold)
MP Tray Size	A4 , A5, A6, B5, LT, HLT, LGL, GLT, GLG, EXE, F4, MON, DL, C6, CTM
MP Type	Plain , SemiThk, Preprinted, Letterhead, Recycled, Color, Labels, Thick, ExtraThk, Envelope, Special
Cassette1 Size	A4 , A5, A6, B5, LT, HLT, LGL, GLT, GLG, EXE, F4, CTM
Cassette2 Size ^{*1} / Cassette3 Size ^{*1 *2} / Cassette4 Size ^{*1 *2}	A4 , A5, B5, LT, HLT, LGL, GLT, GLG, EXE, F4, CTM
Cassette1 Type/ Cassette2 Type ^{*1} / Cassette3 Size ^{*1 *2} / Cassette4 Size ^{*1 *2}	Plain , SemiThk, Preprinted, Letterhead, Recycled, Color, Labels, Thick, ExtraThk, Special
MP Tray AutoSel	On , Off
Cassette1 AutoSel/Cassette2 AutoSel ^{*1} / Cassette3 AutoSel ^{*1 *2} / Cassette4 AutoSel ^{*1 *2}	On , Off

^{*1} Available only when the optional paper cassette unit is installed.

^{*2} Available only for AL-M400 Series.

MP Tray Size

Select your paper size from this menu.

MP Type

Lets you set the paper type loaded in the MP tray.

Cassette1 Size/ Cassette2 Size/ Cassette3 Size (For AL-M400 Series only)/ **Cassette4 Size** (For AL-M400 Series only)

Displays the paper size loaded in the standard and optional paper cassettes.

Cassette1 Type/ Cassette2 Type/ Cassette3 Type (For AL-M400 Series only)/ **Cassette4 Type** (For AL-M400 Series only)

Lets you select the paper type loaded in the standard and optional paper cassettes.

MP Tray AutoSel/ Cassette1 AutoSel/ Cassette2 AutoSel/ Cassette3 AutoSel (For AL-M400 Series only)/ **Cassette4 AutoSel** (For AL-M400 Series only)

Specifies whether the tray can be selected for printing when Paper Source is selected for Auto Selection in the printer driver.

Emulation Menu

Note:

You can specify different emulations for each interfaces.

Item	Settings (default in bold)
Parallel* ¹	Auto , ESCP2, FX, I239X, PS3, PCL
USB	Auto , ESCP2, FX, I239X, PS3, PCL
Network* ²	Auto , ESCP2, FX, I239X, PS3, PCL

*¹ Available only for AL-M300D.

*² Available only for AL-M300DN and AL-M400 Series.

Printing Menu

Note:

The settings are overridden by the settings made in the printer driver.

Item	Settings (default in bold)
Page Size	A4 , A5, A6, B5, LT, HLT, LGL, GLT, GLG, EXE, F4, MON, DL, C6, CTM* ¹
Wide A4	Off , On
Media Type	Unspecified , Plain, SemiThk, Preprinted, Letterhead, Recycled, Color, Labels, Thick, ExtraThk, Envelope, Special
Page Side	Front , Back
Paper Source	Auto , MP, Cassette1, Cassette2* ² , Cassette3* ² * ³ , Cassette4* ² * ³
Orientation	Port , Land

Item	Settings (default in bold)
Resolution	300, 600 , 1200
RI Tech	On , Off
Toner Save	Off , On
Density	1 to 3 to 5
Dot Correction	Off, On
Top Offset	-99.0 ... 0.0 ... 99.0mm in 0.5 increments
Left Offset	-99.0 ... 0.0 ... 99.0mm in 0.5 increments
T Offset B	-99.0 ... 0.0 ... 99.0mm in 0.5 increments
L Offset B	-99.0 ... 0.0 ... 99.0mm in 0.5 increments

*1 The minimum and maximum of custom paper sizes vary depending on the tray.

(MP Tray/Standard paper cassette)

Minimum: 76.2 × 127.0 mm, maximum: 215.9 × 355.6 mm

(Optional paper cassette)

Minimum: 139.7 × 210.0 mm, maximum: 215.9 × 355.6 mm

*2 Available only when the optional paper cassette unit is installed.

*3 Available only for AL-M400 Series.

Page Size

Specifies the paper size.

Wide A4

Selecting **On** decreases the left and right margins to 3.4 mm.

Media Type

Specifies the paper type.

Page Side

Select **Front** when printing on the front of normal paper (Plain), thick paper (Thick), or extra thick paper (Extra Thick).

Paper Source

Specifies whether paper feeds into the printer from the MP tray, the standard paper cassette, or the optional paper cassette unit.

If you select **Auto**, paper feeds from the paper source containing paper that matches your Paper Size setting.

Orientation

Specifies whether the page is printed in portrait or landscape orientation.

Resolution

Specifies the printing resolution.

RI Tech

Turning RI Tech on produces smoother and crisper lines, text, and graphics.

Toner Save

When this setting is selected, the printer saves toner by substituting a gray shade for the black inside of characters. The characters are outlined in full black on the right and lower edges.

Density

Specifies the printing density.

Dot Correction

Adjusts the weight of thin lines so they are printed clearly.

Top Offset

Makes fine adjustments to the vertical printing position of the page.



Important:

Make sure that the printed image does not extend beyond the edge of the paper. Otherwise, you may damage the printer.

LeftOffset

Makes fine adjustments to the horizontal printing position of the page. This is useful for fine adjustments.

**Important:**

Make sure that the printed image does not extend beyond the edge of the paper. Otherwise, you may damage the printer.

T Offset B

Adjusts the vertical printing position on the back of the paper when printing on both sides. Use this if the printout on the back is not where you expected.

L Offset B

Adjusts the horizontal printing position on the back of the paper when printing on both sides. Use this if the printout on the back is not where you expected.

Setup Menu

Item	Settings (default in bold)
Language	English , Français, Deutsch, Italiano, ESPAÑOL, SVENSKA, Dansk, Nederlands, SUOMI, Português, Norsk, CATALÀ, РУССКИЙ, Türkçe, 中文, 繁體中文, 한국어
Time Out	0, 5 to 60 to 300 in increments of 1
MP Mode	Normal , Last
Manual Feed	Off , 1st Page, EachPage
Copies	1 to 999
Duplex ^{*1}	Off, On
Binding ^{*1}	Long Edge , Short Edge
Start Page ^{*1}	Front , Back
Skip Blank Page ^{*2}	Off , On
Auto Eject Page ^{*3}	Off , On
Size Ignore	Off , On
Auto Cont	Off , On
Page Protect ^{*2}	Auto , On
A4/LT Auto Switching	On , Off

Item	Settings (default in bold)
Extended Mode	Off , On
LCD Contrast	0 to 7 to 15
LCD Backlight ^{*4}	Auto , Off
RAM Disk ^{*5}	Off , Normal, Maximum
Convert to Simplex	Odd Page , 1 Page, Off
Confirm Media Type	No , Yes
Job Info.	Display Pattern 1, Display Pattern 2, Off

*1 Available only when you use A4, A5, B5, LT, HLT, LGL, GLT, GLG, EXE, or F4 size paper.

*2 Available only for ESCP2, FX, or I239X mode.

*3 Not available in PS3 and PCL.

*4 Available only for AL-M400 Series.

*5 After this item is changed, the setting value takes effect after a warm boot or after the power is turned on again.

Language

Specifies the language displayed on the LCD panel and that printed on the status sheet.

Time Out

Specifies the length of the time, in seconds, before a time out when interfaces are being switched automatically. The time before a time out occurs is the length of time from the point when no data is being received from an interface until the point of switching the interface. If the printer has a print job when switching the interface, the printer prints the print job.

MP Mode

This setting determines whether the MP tray has the highest or lowest priority when **Auto** is selected as the Paper Source setting in the printer driver. When **Normal** is selected as the MP Mode, the MP tray has the highest priority as the paper source. If you select **Last**, the MP tray has the lowest priority.

Manual Feed

Allows you to select the manual feed mode for the MP tray.

Copies

Designates the number of copies to be printed, from 1 through 999.

Duplex

Turns duplex printing on or off. This allows you to print on both sides of a page.

Binding

Specifies the binding direction of the printout.

Start Page

Specifies whether duplex printing starts from the front or back of the page.

Skip Blank Page

Enables you to skip blank pages when printing.

Auto Eject Page

Specifies whether or not to eject paper when the limit specified in the **Time Out** setting is reached. The default is **Off**, which means paper is not ejected when the time-out limit is reached.

Size Ignore

If you want to ignore a paper size error, select **On**. When you turn this item on, the printer keeps printing even if the image size exceeds the printable area for the specified paper size. This may cause smudges because of the toner that is not transferred onto the paper properly. When this item is turned off, the printer stops printing if a paper size error occurs.

Auto Cont

When you turn this setting on, the printer automatically continues printing after a certain period of time when one of the following errors occurs: **Paper Set**, **Print Overrun**, or **Memory Overflow**. When this option is off, you must press the **OK** button to resume printing.

Page Protect

Allocates additional printer memory for printing data, as opposed to receiving it. You may need to turn this setting on if you are printing a very complex page. If a **Print Overrun** error message appears on the LCD panel during printing, turn this setting on and reprint your data. This reduces the amount of memory reserved for processing data so your computer may take longer to send the print job, but it will allow you to print complex jobs. **Page Protect** usually works best when **Auto** is selected. You will need to increase your printer's memory if memory errors continue to occur.

Note:

*Changing the **Page Protect** setting reconfigures the printer's memory, which causes any downloaded fonts to be deleted.*

A4/LT Auto Switching

When A4 or Letter size paper is selected for printing and there is no paper source set to the selected paper size, the printout is output in an alternate paper size (Letter for A4, or A4 for Letter).

Extended Mode

If **On** is selected, printing continues even after the **Replace Toner Cartridge** error message appears on the LCD panel. However, the printing quality is not guaranteed, and the service life of the photoconductor unit may be affected. When a new toner cartridge is installed, the setting automatically returns to **Off**.

LCD Contrast

Adjusts the contrast of the LCD panel. Use the **▲ Up** and **▼ Down** buttons to set the contrast between 0 (lowest contrast) and 15 (highest contrast.)

LCD Backlight (For AL-M400 Series only)

If **Auto** is selected, the LCD backlight lights. Also, it turns off during Sleep or Deep Sleep mode. If **Off** is selected, the LCD backlight is always off.

RAM Disk

Specifies the RAM disk size available for the Reserve Job function. See the table below for details.

Optional RAM capacity	Total RAM capacity	RAM Disk capacity	
		Normal	Maximum
0 MB	128 MB	16 MB	16 MB

Optional RAM capacity	Total RAM capacity	RAM Disk capacity	
		Normal	Maximum
128 MB	256 MB	64 MB	128 MB
256 MB	384 MB	128 MB	256 MB
512 MB	640 MB	256 MB	512 MB
1024 MB	1152 MB	512 MB	1024 MB

Convert to Simplex

In the duplex printing mode, specifies whether to print the last page of a job in one side printing mode. Setting **Odd Page** or **1 Page** can prevent the last page from being printed on an unexpected page when you are printing on preprinted paper or hole-punched paper.

Odd Page: 1-page jobs or the last page of a job with an odd number of pages are printed in one side printing mode.

1 Page: 1-page jobs are printed in one side printing mode.

Off: The last page of all jobs (including 1-page jobs or jobs with an odd number of pages) is printed in duplex printing mode.

Confirm Media Type

Displays a message when the paper type in the tray selected for printing is different from that selected on **Paper Type** in the printer driver.

Job Info.

Displays job information on the control panel, also skipping and canceling printing jobs can be done with this setting. The pattern of items displayed on the control panel can be selected from **Display Pattern 1** and **Display Pattern 2**. Do not select **Display Pattern 1** when the following languages are selected as **Language** on **Setup Menu**: **Norsk**, **CATALÀ**, **Русский**, **Türkçe**, **中文**, **繁體中文**, **한국어**.

Reset Menu

Clear Warning

Clears warning messages that show errors except for these that occur from consumable products or mandatory-replacement parts.

Clear All Warnings

Clears all warning messages that appear on the LCD panel.

Reset All

Stops printing and clears the printer memory. The print jobs received from all interfaces are erased.

Note:

Performing Reset All clears print jobs received from all interfaces. Be careful not to interrupt someone else's job.

SelectType Init

Restores the control panel menu settings to their default values.

Reset Fuser Counter (For AL-M300 Series only)

Reset the fuser unit life counter when you replace the fuser unit. For instructions on replacing the fuser unit, see the documentation supplied with the fuser unit.

Reset Maintenance Counter (For AL-M400 Series only)

Reset the maintenance unit life counter when you replace the maintenance unit. For instructions on replacing the maintenance unit, see the documentation supplied with the maintenance unit.

Quick Print JobMenu

This menu allows you to print or delete print jobs that were stored in the printer's memory using the Quick Print Job feature (Re-Print Job, Verify Job, Stored Job) of the printer driver's Reserve Job function. For instructions on using this menu, see "Using the Quick Print JobMenu" on page 106.

ConfidentialJobMenu

This menu allows you to print or delete print jobs stored in the printer's memory using the Confidential Job feature of the printer driver's Reserve Job function. You need to enter the correct password to access this data. For instructions on using this menu, see "Using the ConfidentialJobMenu" on page 107.

Clock Menu

Item	Settings (default in bold)
Local Time Diff.	-13:59 ... 0:00 ... +13:59
Time Setting	2000/ 01/01 00:00 to 2099/12/31 23:59
Date Format	DD/MM/YY , MM/DD/YY, YY/MM/DD

Local Time Diff.

Specifies the current date and time by entering the time difference from Greenwich Mean time.

Time Setting

Specifies the current date and time by entering them directly.

Date Format

Specifies the format to display the date.

Parallel Menu (For AL-M300D only)

These settings control communication between the printer and the computer when using the parallel interface.

Item	Settings (default in bold)
Parallel I/F*	On , Off
Speed*	Fast , Normal
Bi-D*	ECP , Off, Nibble
Buffer Size*	Normal , Maximum, Minimum

* After this item is changed, the setting value takes effect after a warm boot or after the power is turned on again. While it is reflected in the Status Sheet and EJM read-back, the actual change takes effect after a warm boot or after the power is turned on again.

Parallel I/F

Allows you to activate or deactivate the parallel interface.

Speed

Specifies the pulse width of the ACKNLG signal when receiving data in the Compatibility mode or Nibble mode. When **Fast** is selected, the pulse width is about 1 μ s. When **Normal** is selected, the pulse width is about 10 μ s.

Bi-D

Allows you to specify the bidirectional communication mode. When you select **Off**, bidirectional communication is disabled.

Buffer Size

Determines the amount of memory to be used for receiving data and printing data. If **Maximum** is selected, more memory is allocated for receiving data. If **Minimum** is selected, more memory is allocated for printing data.

Note:

- To activate **Buffer Size** settings, you must turn off the printer for more than five seconds then turn it back on. Or, you can perform a **Reset All** operation, as explained in “Reset Menu” on page 73.
- Resetting the printer erases all print jobs. Make sure the **Ready** light is not flashing when you reset the printer.

USB Menu

Item	Settings (default in bold)
USB I/F ^{*1}	On , Off
USB Speed ^{*1 *2}	HS , FS
Buffer Size ^{*1 *2}	Normal , Maximum, Minimum

^{*1} After this item is changed, the setting value takes effect after a warm boot or after the power is turned on again. While it is reflected in the Status Sheet and EPL read-back, the actual change takes effect after a warm boot or after the power is turned on again.

^{*2} Available only when **USB I/F** is set to **On**.

USB I/F

Allows you to activate or deactivate the USB interface.

USB Speed

Allows you to select the operation mode of USB interface. Selecting **HS** is recommended. Select **FS** if **HS** does not work on your computer system.

Buffer Size

Determines the amount of memory to be used for receiving data and printing data. If **Maximum** is selected, more memory is allocated for receiving data. If **Minimum** is selected, more memory is allocated for printing data.

Note:

- To activate **Buffer Size** settings, you must turn off the printer for more than five seconds then turn it back on. Or, you can perform a **Reset All** operation, as explained in “Reset Menu” on page 73.
- Resetting the printer erases all print jobs. Make sure the **Ready** light is not flashing when you reset the printer.

Network Menu

See the *Network Guide* for each setting.

PCL Menu

These settings are available in the PCL mode.

Item	Settings (default in bold)
FontSource	Resident , Download* ¹
Font Number	0... 65535 (depending on your settings)
Pitch* ²	0.44 ... 10.00 ... 99.99cpi in 0.01cpi increment
Height* ²	4.00 ... 12.00 ... 999.75pt in 0.25pt increment
SymSet	IBM-US , Roman-8, Roman-9, ECM94-1, 8859-2 ISO, 8859-9 ISO, 8859-10ISO, 8859-15ISO, PcBlt775, IBM-DN, PcMultiling, PcE.Europe, PcTk437, PcEur858, Pc1004, WiAnsi, WiE.Europe, WiTurkish, WiBALT, DeskTop, PsText, VeInternati, VeUS, MsPublishin, Math-8, PsMath, VeMath, PiFont, Legal, UK, ANSI ASCII, Swedis2, Italian, Spanish, German, Norweg1, French2, Windows, McText, Hebrew7, 8859-8 ISO, Hebrew8, Arabic8, OCR A, OCR B, Pc866Cyr, Pc866Ukr, WinCyr, ISOCyr, Pc8Grk, Pc851Grk, WinGrk, ISOGrk, Greek8, Pc862Heb, Pc864Ara, HPWARA

Item	Settings (default in bold)
Form	5 ... 64 ... 128Lines
CR Function	CR , CR+LF
LF Function	LF , CR+LF
Tray Assign	4K , 5S, 4

*1 Available only when downloaded fonts are available.

*2 Depending on the font that has been selected.

FontSource

Sets the default font source.

Font Number

Sets the default font number for the default font source. The available number depends on the settings you made.

Pitch

Specifies the default font pitch if the font is scalable and of fixed-pitch. You can select from 0.44 to 99.99 cpi (characters per inch), in 0.01-cpi increments. This item may not appear depending on the FontSource or Font Number settings.

Height

Specifies the default font height if the font is scalable and proportional. You can select from 4.00 to 999.75 points, in 0.25-point increments. This item may not appear depending on the FontSource or Font Number settings.

SymSet

Selects the default symbol set. If the font you selected in FontSource and Font Number is not available in the new SymSet setting, the FontSource and the Font Number settings are automatically replaced with the default value, IBM-US.

Form

Selects the number of lines for the selected paper size and orientation. This also causes a line spacing (VMI) change, and the new VMI value is stored in the printer. This means that later changes in the Page Size or Orientation settings cause changes in the Form value, based on the stored VMI.

CR Function, LF Function

These functions are included for users of particular operating systems, such as UNIX.

Tray Assign

Changes the assignment for the paper source select command. When **4** is selected, the commands are set as compatible with the HP LaserJet 4. When **4K** is selected, the commands are set as compatible with the HP LaserJet 4000, 5000, and 8000. When **5S** is selected, the commands are set as compatible with the HP LaserJet 5S.

PS3 Menu

Item	Settings (default in bold)
Error Sheet	Off , On
Image Protect	Off, On
Binary	Off , On
Text Detection	Off , On
PDF Page Size	Auto, A4 , A5, A6, B5, LT, HLT, LGL, GLT, GLG, EXE, F4, MON, DL, C6

Error Sheet

When you select **On**, the printer prints out an error sheet when an error occurs in the PS3 mode or when the PDF file you tried to print is not a supported version.

Image Protect

When **On** is selected, the print quality is not reduced even with insufficient memory. In that case, `Memory Overflow` is displayed and the printing is stopped.

When **Off** is selected, the print quality is reduced with insufficient memory. In that case, `Image Optimum` is displayed and the printing is continued.

Binary

Specifies the data format. Select **On** for the Binary data and select **Off** for the ASCII data.

Note:

Binary can only be used with network connection.

To use the Binary data, make sure your application supports Binary data and that **SEND CTRL-D Before Each Job** and **SEND CTRL-D After Each Job** are set to **No**.

When this setting is set to **On**, you cannot use TBCP (Tagged binary communication protocol) in the printer driver settings.

Text Detection

When you select **On**, the text file is converted to a PostScript file when printing. This setting is available only when you select **PS3** in the **Emulation Menu**.

PDF Page Size

Specifies the paper size when you send the PDF file directory from a computer or some other device. If **Auto** is selected, the paper size is determined based on the size of the first page that is printed.

ESCP2 Menu

Item	Settings (default in bold)
Font	Courier , Prestige, Roman, Sans serif, Roman T, Orator S, Sans H, Script, OCR A, OCR B
Pitch	10 cpi , 12cpi, 15cpi, Prop.
Condensed	Off , On
T.Margin	0.40 ... 0.50 ... 1.50inch in 0.05-inch increments
Text	1 ... 66 ... 81Lines
CGTable	PcUSA , Italic, PcMultilin, PcPortugue, PcCanFrenc, PcNordic, PcTurkish2, Pclcelandic, PcE.Europe, BpBRASCI, BpAbicomp, Roman-8, PcEur858, ISO Latin1, 8859-15ISO, PcSI437, PcTurkish1, 8859-9ISO, Mazowia, CodeMJK, PcGk437, PcGk851, PcGk869, 8859-7ISO, PcCy855, PcCy866, PcUkr866, PcLit771, Bulgarian, Hebrew7, Hebrew8, PcHe862, PcAr864, PcAr864Ara, PcAr720, PcLit774, Estonia, ISO Latin2, PcLat866
Country	USA , France, Germany, UK, Denmark, Sweden, Italy, Spain1, Japan, Norway, Denmark2, Spain2, LatinAmeric, Korea, Legal
Auto CR	On , Off
Auto LF	Off , On
Bit Image	Dark , Light, BarCode
ZeroChar	0 , (or the zero character with a slash)

Font

Selects the font.

Pitch

Selects the pitch (the horizontal spacing) of the font in fixed pitch, measured in cpi (characters per inch). You can also choose proportional spacing.

Condensed

Turns condensed printing on or off.

T.Margin

Sets the distance from the top of the page to the baseline of the first printable line. The distance is measured in inches. The smaller the value, the closer the printable line is to the top.

Text

Sets the page length in lines. For this option, a line is assumed to be 1 pica (1/6 inch). If you change the *Orientation*, *Page Size*, or *T.Margin* settings, the page length setting automatically returns to the default for each paper size.

CGTable

Use the character generator (CG) table option to select the graphics character table or the italics table. The graphics table contains graphic characters for printing lines, corners, shaded areas, international characters, Greek characters, and mathematical symbols. If you select *Italic*, the upper half of the character table is defined as italic characters.

Country

Use this option to select one of the fifteen international symbol sets. See the *Font Guide* for samples of the characters in each country's symbol set.

Auto CR

Specifies whether the printer performs a carriage-return/line-feed (CR-LF) operation whenever the printing position goes beyond the right margin. If you select *Off*, the printer does not print any characters beyond the right margin and does not perform any line wrapping until it receives a carriage-return character. This function is handled automatically by most applications.

Auto LF

If you select **Off**, the printer does not send an automatic line-feed (LF) command with each carriage-return (CR). If **On** is selected, a line-feed command is sent with each carriage-return. Select **On** if your text lines overlap.

Bit Image

The printer is able to emulate the graphics densities set with the printer commands. If you select **Dark**, the bit image density is high, and if you select **Light**, the bit image density is low.

If you select **BarCode**, the printer converts bit images to bar codes by automatically filling in any vertical gaps between dots. This produces unbroken vertical lines that can be read by a bar code reader. This mode will reduce the size of the image being printed, and may also cause some distortion when printing bit image graphics.

ZeroChar

Specifies whether the printer prints a slashed or unslashed zero.

FX Menu

Item	Settings (default in bold)
Font	Courier , Prestige, Roman, Sans serif, Script, Orator S, OCR A, OCR B
Pitch	10cpi , 12cpi, 15cpi, Prop.
Condensed	Off , On
T.Margin	0.40 ... 0.50 ... 1.50inch in 0.05-inch increments
Text	1 ... 66 ... 81Lines
CGTable	PcUSA , Italic, PcMultilin, PcPortugue, PcCanFrenc, PcNordic, PcTurkish2, Pclcelandic, PcE.Europe, BpBRASCI, BpAbicomp, Roman-8, PcEur858, ISO Latin1, 8859-15ISO
Country	USA , France, Germany, UK, Denmark, Sweden, Italy, Spain1, Japan, Norway, Denmark2, Spain2, LatinAmeric
Auto CR	On , Off
Auto LF	Off , On
Bit Image	Dark , Light, BarCode

Item	Settings (default in bold)
ZeroChar	0 , (or the zero character with a slash)

Font

Selects the font.

Pitch

Selects the pitch (the horizontal spacing) of the font in fixed pitch, measured in cpi (characters per inch). You can also choose proportional spacing.

Condensed

Turns condensed printing on or off.

T.Margin

Sets the distance from the top of the page to the baseline of the first printable line. The distance is measured in inches. The smaller the value, the closer the printable line is to the top.

Text

Sets the page length in lines. For this option, a line is assumed to be 1 pica (1/6 inch). If you change the *Orientation*, *Page Size*, or *T.Margin* settings, the page length setting automatically returns to the default for each paper size.

CGTable

Use the character generator (CG) table option to select the graphics character table or the italics table. The graphics table contains graphic characters for printing lines, corners, shaded areas, international characters, Greek characters, and mathematical symbols. If you select *Italic*, the upper half of the character table is defined as italic characters.

Country

Use this option to select one of the thirteen international symbol sets. See the *Font Guide* for samples of the characters in each country's symbol set.

Auto CR

Specifies whether the printer performs a carriage-return/line-feed (CR-LF) operation whenever the printing position goes beyond the right margin. If you select **Off**, the printer does not print any characters beyond the right margin and does not perform any line wrapping until it receives a carriage-return character. This function is handled automatically by most applications.

Auto LF

If you select **Off**, the printer does not send an automatic line-feed (LF) command with each carriage-return (CR). If **On** is selected, a line-feed command is sent with each carriage-return. Select **On** if your text lines overlap.

Bit Image

The printer is able to emulate the graphics densities set with the printer commands. If you select **Dark**, the bit image density is high, and if you select **Light**, the bit image density is low.

If you select **BarCode**, the printer converts bit images to bar codes by automatically filling in any vertical gaps between dots. This produces unbroken vertical lines that can be read by a bar code reader. This mode will reduce the size of the image being printed, and may also cause some distortion when printing bit image graphics.

ZeroChar

Selects whether the printer prints a slashed or unslashed zero.

I239X Menu

The I239X mode emulates IBM® 2390/2391 Plus commands.

These settings are available only when the printer is in the I239X mode.

Item	Settings (default in bold)
Font	Courier , Prestige, Gothic, Orator, Script, Presentor, Sans serif
Pitch	10cpi , 12cpi, 15cpi, 17cpi, 20cpi, 24cpi, Prop.
Code Page	437 , 850, 858, 860, 863, 865
T.Margin	0.30 ... 0.40 ... 1.50inch in 0.05-inch increments
Text	1 ... 67 ... 81Lines
Auto CR	Off , On

Item	Settings (default in bold)
Auto LF	Off , On
Alt. Graphics	Off , On
Bit Image	Dark , Light
ZeroChar	0 , (or the zero character with a slash)
CharacterSet	1, 2

Font

Selects the font.

Pitch

Selects the pitch (the horizontal spacing) of the font in fixed pitch, measured in cpi (characters per inch). You can also choose proportional spacing.

Code Page

Selects the character tables. Character tables contain the characters and symbols used by different languages. The printer prints text based on the selected character table.

T.Margin

Sets the distance from the top of the page to the baseline of the first printable line. The distance is measured in inches. The smaller the value, the closer the printable line is to the top.

Text

Sets the page length in lines. For this option, a line is assumed to be 1 pica (1/6 inch). If you change the `Orientation`, `Page Size`, or `T.Margin` settings, the page length setting automatically returns to the default for each paper size.

Auto CR

Specifies whether the printer performs a carriage-return/line-feed (CR-LF) operation whenever the printing position goes beyond the right margin. If this setting is off, the printer does not print any characters beyond the right margin and does not perform any line wrapping until it receives a carriage-return character. This function is handled automatically by most applications.

Auto LF

If you select **Off**, the printer does not send an automatic line-feed (LF) command with each carriage-return (CR). If **On** is selected, a line-feed command is sent with each carriage-return. Select **On** if your text lines overlap.

Alt. Graphics

Turns the Alternate Graphics option on or off.

Bit Image

The printer is able to emulate the graphics densities set with the printer commands. If you select **Dark**, the bit image density is high, and if you select **Light**, the bit image density is low.

If you select **BarCode**, the printer converts bit images to bar codes by automatically filling in any vertical gaps between dots. This produces unbroken vertical lines that can be read by a bar code reader. This mode will reduce the size of the image being printed, and may also cause some distortion when printing bit image graphics.

ZeroChar

Selects whether the printer prints a slashed or unslashed zero.

CharacterSet

Selects character table 1 or 2.

Password Config Menu

Item	Settings (default in bold)
Password Config*	-
Limitation	Disable , Interface, Config, All

* The default password is blank. You can enter up to 20 characters for the password.

Password Config

Changes the password. Enter the old password first and then enter the new password twice.

To enter the password, press the ▼ **Down** or ▲ **Up** button to select the character and press the ► **Right** button to determine the character. After all characters are determined, press the **OK** button.

Note:

If you forget your password, contact your dealer. Note that when the password is initialized, the settings and data stored on the printer are deleted. Depending on your environment, settings, such as network connection settings, may need to be done again. We recommend making a note or backup of the necessary data and setting information.

Limitation

Changes the restriction range. When `Interface` is selected, the password is required to change the settings in the `USB` and `Network` menus. When `Confis` is selected, the password is required to enter `Quick Print JobMenu` or `ConfidentialJobMenu`, or to change the settings in all menus. When `All` is selected, the password is required to enter `Quick Print JobMenu` or `ConfidentialJobMenu`, or to change the settings and to perform the items in all menus. Before changing the setting, you have to enter the password set in the `Password Confis` setting.

Energy Saver Menu

Item	Settings (default in bold)
Time to Sleep	1Min , 3Min, 5Min, 15Min, 30Min, 60Min, 120Min
Deep Sleep Mode	On , Off
Power Off Timer*	On , Off
Time to Off*	120Min, 180Min, 240Min, 360Min, 480Min

* For EU models only

Time to Sleep

Specifies the length of the time until the printer enters the sleep mode or deep sleep mode if there are no button operations and no jobs to be printed.

Deep Sleep Mode

When this setting is set to `On`, the printer switches into the deep sleep mode at the time specified in the `Time to Sleep` setting if the printer is not operated or receives no jobs. In the deep sleep mode, the **Wakeup/Sleep** button lights and more power is saved than when in the sleep mode.

Note:

The printer does not enter the deep sleep mode in the following cases:

- PS3 is selected in Network of Emulation Menu.
- MS Network is set to On in Network Menu.

To recover from the deep sleep mode, press the **Wakeup/Sleep** button. The printer recovers automatically when it receives a print job.

Power Off Timer (Power Off mode) (For EU models only)

When this setting is set to On, the printer automatically turns off at the time specified in the Time to Off setting. The printer does not enter the power off mode if it is receiving or sending data.

The printer recovers from the power off mode when the power switch is turned on.

Time to Off (For EU models only)

Specifies the length of the time until the printer enters the power off mode if there are no button operations and no jobs to be printed.

Note:

You can adjust the time before power management is applied. Any increase will affect the product's energy efficiency. Please consider the environment before making any change.

Support Menu

Enter the SUPPORT MODE by pressing the ▼ **Down** button while turning the printer on, to make Support Menu and Printer Adjust Menu appear.

**Important:**

When formatting the CompactFlash or deleting the data, unplug the interface cables and do not print files.

Support StatusSheet

Prints a sheet showing information about settings of Support Menu and Printer Adjust Menu.

Format CompactFlash (For AL-M400 Series only)

Formats the CompactFlash memory in the printer if a CompactFlash memory is installed.

Format PS3 CompactFlash (For AL-M400 Series only)

Formats the CompactFlash area where PostScript information is stored if a CompactFlash memory is installed.

Delete All CompactFlash Data (For AL-M400 Series only)

Deletes all data in the CompactFlash memory if a CompactFlash memory is installed.

Extend Print Area

Makes the maximum print area larger according to the printed data.

Printer MIBv1 Mode

Uses MIBv1 as a policy rule definition reporting the printer information to SNMP manager.

Printer Adjust Menu

Enter the `SUPPORT MODE` by pressing the **▼ Down** button while turning the printer on, to make the Printer Adjust Menu appear.

Note:

- This menu is a special function. You don't have to change it for ordinary use.*
- The settings in this menu may affect the remaining service lives of consumable products or maintenance parts.*

Item	Settings (default in bold)
Plain	0, 1
Preprinted	0, 1
Letterhead	0, 1
Recycled	0, 1
Color	0, 1
Special	0, 1, 2

Feed Offset	-3.5 ... 0.0 ... 3.5 mm in 0.5 mm increments
Scan Offset	
Feed Offset2	
Scan Offset2	
FeedOffsetMP	
ScanOffsetMP	
FeedOffsetC1	
ScanOffsetC1	
FeedOffsetC2	
ScanOffsetC2	
FeedOffsetC3*	
ScanOffsetC3*	
FeedOffsetC4*	
ScanOffsetC4*	
TR Plain1	1 ... 6 ... 16
TR Plain2	
TR SemiThk	
TR Labels	
TR Thick	
TR ExtraThck	
TR Thick3	
TR Envelope	

Temp Plain1	-9 ... 0 ... 9
Temp Plain2	
Temp SemiThk	
Temp Labels1	
Temp Thick	
Temp ExtraThck	
Temp Thick3	
Temp Envelope	
Highland	0, 2, 4, 6
BTR Cleaning	-
Dev Refresh	-
Toner Refresh	-
Noise Level	0 ... 3 ... 7
Mono DiagnosisSht	-

* Available only for AL-M400 Series.

Plain, Preprinted, Letterhead, Recycled, Color, Special

Adjusts the print quality according to the paper type. Select **0** when a thin paper is printed.

To print using Thick3 paper (stiff, smooth on the surface, and more than 279 mm vertically), select **2** for **Special** in this menu, and **Special** from **Paper Type** on the printer driver. However, duplex printing is not available with this settings, and feeding paper takes more time.

Feed Offset

Adjusts the vertical position in which to start printing. The position moves lower on the sheet as the value increases. This setting is used when doing single-sided printing or printing the first page for duplex printing.

Scan Offset

Adjusts the horizontal position in which to start printing. The position moves to the right of the sheet as the value increases. This setting is used when doing single-sided printing or printing the first page for duplex printing.

Feed Offset2

Adjusts the vertical position in which to start printing. The position moves lower on the sheet as the value increases. This setting is used when printing the printing on the backside of paper for duplex printing.

Scan Offset2

Adjusts the horizontal position in which to start printing. The position moves to the right of the sheet as the value increases. This setting is used when printing on the backside of paper for duplex printing.

FeedOffsetMP, FeedOffsetC1, FeedOffsetC2, FeedOffsetC3 (For AL-M400 Series only),
FeedOffsetC4 (For AL-M400 Series only)

Adjusts the vertical position in which to start printing. The position moves lower on the sheet as the value increases. This setting is used when feeding the printed paper from the MP tray, C1, C2, C3 or C4.

ScanOffsetMP, ScanOffsetC1, ScanOffsetC2, ScanOffsetC3 (For AL-M400 Series only),
ScanOffsetC4 (For AL-M400 Series only)

Adjusts the vertical position in which to start printing. The position moves to the right of the sheet as the value increases. This setting is used when feeding the printed paper from the MP tray, C1, C2, C3 or C4.

TR Plain1, TR Plain2, TR SemiThk, TR Labels, TR Thick, TR ExtraThck, TR Thick3, TR Envelope

Adjusts the density or image granularity for the Plain1, Plain2, Semi-Thick, Labels, Thick, ExtraThick, Thick3, Envelope, Postcard. The setting becomes darker as the value increases.

TEMP Plain1, TEMP Plain2, TEMP SemiThk, TEMP Labels, TEMP Thick, TEMP ExtraThck, TEMP Thick3, TEMP Envelope

Adjusts the fixing temperature for the Plain1, Plain2, Semi-Thick, Labels, Thick, ExtraThick, Thick3, Envelope, Postcard. The setting becomes hotter as the value increases. Note that the curl of printouts could increase as the value increases.

Highland

Adjust this setting if black dots appear on the printed page when using the printer in locations at high altitudes. See the table below and select a suitable value according to the location the printer is being used.

Value	Altitude
0	0 m
2	1000 m
4	2000 m
6	3000 m

BTR Cleaning

Cleans the transfer roller. This may eliminate stains that appear on the backside of printed paper documents. Do not turn off the printer until the LCD panel displays *Ready*.

Dev Refresh

Mixes the developer to spread it evenly. This may prevent seepage when printing low-density images. Do not turn off the printer until the LCD panel displays *Ready*.

Toner Refresh

Removes deteriorated toner. If the following problems have occurred while printing low density documents, this may improve the printouts.

- toner falls inside the printer or onto the paper
- blurring (toner adheres to entire surface of the paper)

Do not turn off the printer until the LCD panel displays *Ready*.

Noise Level

Adjusts the image gradation. As the value increases, the image gradation gets better, but the image granularity gets worse.

Mono DiagnosisSht

Prints an all black sheet of paper called a mono-chrome diagnosis. The mono diagnosis sheet allows you to check for blurring or dirt on the printout.


Bookmark Menu

The bookmark menu appears by pressing the **OK** button while the LCD panel displays *Ready*. In the bookmark menu, the bookmarked setting items are listed and you can select one of them. The following menus are bookmarked by default.

- Reset Menu
- MP Tray Size
- System Information

To register the menus in bookmark, see “How to register menus as bookmarks” on page 61 for details.

Status and Error Messages

This section contains a list of error messages shown on the LCD panel, a brief description of each message and suggestions for correcting the problem. Note that not every message shown on the LCD panel indicates a problem. When the  mark is displayed at the right of the warning message, multiple warnings have occurred. The LCD panel also displays the remaining service life of the consumables and available paper sizes.

Adjusting Printer

Wait a few minutes. Do not open or close the covers, or turn off the printer until this message disappears.

Bookmark Failed

The selected menu cannot be registered as a bookmark. Some menus cannot be registered as bookmarks.

Bookmark Registered

The selected menu is registered as a bookmark.

Cancel All Print Job

The printer is canceling all print jobs in the printer memory, including jobs the printer is currently receiving or printing. This message appears when *Cancel All Jobs* is selected on the control panel.

Cancel Print Job

The printer is canceling the specified print job and the current print job. This message appears when `Cancel Job` is selected after you specify the file to be canceled on the control panel.

Can't Print

The print data is deleted because it is incorrect.

Make sure the appropriate paper size and printer driver are used.

Can't Print Duplex

The printer has encountered problems during duplex printing. Make sure you are using an appropriate type and size of paper for the duplex printing. The problem could also be a result of incorrect settings for the paper source you are using. Pressing the **OK** button will print the rest of the print job on only one side of the paper. To cancel the print job, see "Canceling Printing" on page 109.

Can't Use Bookmark

The registered menu cannot be used because the menu is disabled by changing any settings after registered the menu in bookmark.

Cassette Error 001, Cassette2 Error 002, Cassette3 Error 003 (For AL-M400 Series only),
Cassette4 Error 004 (For AL-M400 Series only)

The wrong cassette unit is installed. Turn off the printer, remove the cassette unit, and then turn on the printer.

CF CHECK (For AL-M400 Series only)

The printer is checking the CompactFlash memory.

Check Paper Size

The paper size setting is different from the size of paper loaded in the printer. Check to see if the correct size of paper is loaded in the specified paper source.

To clear this warning message, select `Clear Warning` from the control panel's `Reset Menu`. See "How to access the control panel menus" on page 60 for instructions.

Check Paper Type

The paper loaded in the printer does not match the paper type setting in the printer driver. Paper that matches only the paper size setting will be used for printing.

To clear this warning message, select `Clear Warning` from the control panel's `Reset Menu`. See "How to access the control panel menus" on page 60 for instructions.

Clear Paper Jam `www`

The location where the paper jam occurred is displayed at `www`. `www` indicates the location of the error.

If a paper jam occurs at two or more locations simultaneously, the corresponding multiple locations are displayed.

For details about clearing paper jams, see "Clearing Jammed Paper" on page 136.

Close Cover `www`

The specified cover (`www`) does not close securely. Open the cover once, and then close.

Also, this warning message may appear when the photoconductor is not installed on the printer.

Collate Disabled

Printing by specifying the number of copies is no longer possible due to a lack of memory (RAM). If this warning message appears, print only one copy at a time.

To clear this warning message, select `Clear Warning` from the control panel's `Reset Menu`. See "How to access the control panel menus" on page 60 for instructions.

CompactFlash Error (For AL-M400 Series only)

The installed CompactFlash memory is not supported by the printer or you selected `No` when the `Format Required` was displayed on the control panel. Turn off the printer and remove the CompactFlash memory. If `Format Required` is displayed on the control panel, select `Yes`.

CompactFlash Full (For AL-M400 Series only)

The optional CompactFlash memory is full and you cannot save any data. Delete the unnecessary data from the CompactFlash memory. To clear this warning message, select `Clear Warning` from the control panel's `Reset Menu`. For instruction about accessing the control panel menus, see "How to access the control panel menus" on page 60.

Cooling Down

The printer is cooling down. This is not an error message, and will clear itself.

Correct time using Time Setting

The current time setting is reset because you did not connect the power cord for a long time. To clear this warning message, select `Time Setting` from `Clock Menu` and specify the current date and time.

Duplex Memory Overflow

There is not enough memory for duplex printing. The printer prints only on the front and ejects the paper. To clear this error, follow the instructions below.

If `Off` is selected as the `Auto Cont` setting on the control panel's `Setup Menu`, press the **OK** button to print on the back of the next sheet, or cancel the print job. To cancel the print job, see "Canceling Printing" on page 109.

If `On` is selected as the `Auto Cont` setting on the control panel's `Setup Menu`, printing continues automatically after a certain period of time.

Feed Roller C1 Needed Soon, Feed Roller C2 Needed Soon, Feed Roller C3 Needed Soon (For AL-M400 Series only), Feed Roller C4 Needed Soon (For AL-M400 Series only)

This message indicates that the feed roller C1, C2, C3, or C4 is near the end of its service life. You can continue to print until the `Replace Feed Roller C1`, `Replace Feed Roller C2`, `Replace Feed Roller C3`, or `Replace Feed Roller C4` message appears.

To clear this warning message and continue printing, select `Clear All Warnings` from the control panel's `Reset Menu`. For instruction about accessing the control panel menus, see "How to access the control panel menus" on page 60.

Form Feed

The printer is ejecting paper due to a user request. This message appears when pressing the **Pause/Release** button once, then holding down the **OK** button for more than 2 seconds in order not to receive form feed command.

Format Required (For AL-M400 Series only)

The installed CompactFlash memory needs to be formatted to use it with the printer. Select **Yes** to format the memory, or select **No** to cancel formatting. If you select **No**, **CompactFlash Error** is displayed and you cannot use the memory for the printer. In that case, turn off the printer and remove the CompactFlash memory.

Formatting CF (For AL-M400 Series only)

The CompactFlash memory is being formatted.

Fuser Needed Soon (For AL-M300 Series only)

This message indicates that the fuser unit is near the end of its service life. You can continue to print until the **Replace Fuser** message appears.

To clear this warning message and continue printing, select **Clear All Warnings** from the control panel's **Reset Menu**. For instruction about accessing the control panel menus, see "How to access the control panel menus" on page 60.

Image Optimum

There is insufficient memory to print the page at the specified print quality. The printer automatically lowers the print quality so that it can continue printing. If the quality of the printout is not acceptable, try simplifying the page by limiting the number of graphics or reducing the number and size of fonts.

To clear this warning message, select **Clear Warning** from the control panel's **Reset Menu**. See "How to access the control panel menus" on page 60 for instructions.

You may need to increase the amount of printer memory to be able to print at the desired print quality for your document. For more information on adding memory, see "Memory Module" on page 116.

Install Fuser (For AL-M300 Series only)

The fuser unit is not installed in the printer. Install the fuser unit. For details, see the documentation supplied with the fuser unit.



Caution:

If the printer has been in use, the fuser and the surrounding areas may be very hot. If you must touch one of these areas, turn off the printer and wait 40 minutes to allow the heat to subside before doing so.

Install Maintenance Unit (For AL-M400 Series only)

The maintenance unit is not installed in the printer. Install the maintenance unit. For details, see the documentation supplied with the maintenance unit.



Caution:

If the printer has been in use, the fuser and the surrounding areas may be very hot. If you must touch one of these areas, turn off the printer and wait 40 minutes to allow the heat to subside before doing so.

Install Photoconductor

The photoconductor unit is not installed in the printer. Install the photoconductor unit. For details, see the documentation supplied with the photoconductor unit.

Install Toner Cartridge

The toner cartridge is not installed in the printer.

Install the toner cartridge. See “Replacing Consumable Products/Maintenance Parts” on page 124.

Invalid Data

The spool file on the driver is deleted while printing or the data is abnormal. Press the **OK** button to clear the error.

Invalid PS3 (For AL-M300 Series only)

There are errors in the ROM module. Turn off the printer and contact your dealer.

Maintenance Unit Needed Soon (For AL-M400 Series only)

This message indicates that the maintenance unit is near the end of its service life. You can continue to print until the `Replace Maintenance Unit` message appears. To clear this warning message and continue printing, select `Clear All Warnings` from the control panel's `Reset Menu`. For instruction about accessing the control panel menus, see “How to access the control panel menus” on page 60.

Manual Feed ssss (For AL-M300 Series only)

The manual feed mode is specified for the current print job. Make sure the paper size indicated by `ssss` is loaded, then press the **OK** button.

Memory Overflow

The printer has insufficient memory to execute the current task. Press the **OK** button on the control panel to resume printing, or cancel the print job. To cancel the print job, see “Canceling Printing” on page 109.

Need Memory

The printer has insufficient memory to complete the current print job.

To clear this warning message, select **Clear Warning** from the control panel's **Reset Menu**. See “How to access the control panel menus” on page 60 for instructions.

To prevent this problem from recurring, add more memory to your printer as described in “Memory modules” on page 203, or reduce the resolution of the image to be printed.

No trays available Cancel the Job

All of the **MP Tray AutoSel**, **Cassette1 AutoSel**, **Cassette2 AutoSel**, **Cassette3 AutoSel**, and **Cassette4 AutoSel** settings in **Tray Menu** are set to **Off**, so the printer cannot feed paper. Press the **Pause/Release** button to cancel the print job. To continue printing, specify the paper source on the printer driver, or set the above settings in **Tray Menu** to **On**.

Option Unit Error yyy

The printer cannot recognize the installed optional product. Remove the optional product and reinstall it.

Paper Out tttt sssss

There is no paper in the specified paper source (tttt). Load paper of the size (sssss) into the paper source.

Paper Set tttt pppp

The paper loaded in the specified paper source (tttt) does not match the required paper type (pppp). Replace the loaded paper with the correct paper type and press the **OK** button to resume printing, or cancel the print job. To cancel the print job, see “Canceling Printing” on page 109.

If you press the **OK** button without replacing the paper, the printer will print on the loaded paper even though it does not match the required paper type.

Paper Set tttt sssss

The paper loaded in the specified paper source (tttt) does not match the required paper size (sssss). Replace the loaded paper with the correct size paper and press the **OK** button to resume printing, or cancel the print job. To cancel the print job, see “Canceling Printing” on page 109.

If you press the **OK** button without replacing the paper, the printer will print on the loaded paper even though it does not match the required size.

Paper Set tttt ssss1 or ssss2

This message appears in the following situations:

- A4/LT Auto Switching in the Setup Menu is set to On
- when printing a job specified as **A4** with the printer driver, there is no paper source that is set as A4 or as LT (alternate size for A4) in the Tray Menu
- when printing a job specified as letter size with the printer driver, there is no paper source that is set as LT or as A4 (alternate size for LT) in the Tray Menu

To clear this warning message, make sure that A4 or LT is set to the specified paper source (tttt) in the Tray Menu, load A4 or Letter size paper (ssss1 or ssss2) in the specified paper source (tttt) and click the **OK** button, or cancel the print job. To cancel the print job see “Canceling Printing” on page 109.

Password Changed

The password has been changed successfully.

Paused

The printer is not ready to print. Press the **Pause/Release** button or wait for one minute to make the printer ready.

Photoconductor Needed Soon

This message indicates that the photoconductor unit is near the end of its service life. You can continue to print until the Replace Photoconductor message appears.

To clear this warning message and continue printing, select Clear All Warnings from the control panel's Reset Menu. For instruction about accessing the control panel menus, see “How to access the control panel menus” on page 60.

Photoconductor Trouble

There is a problem with the photoconductor unit. Remove the photoconductor unit and reinsert it. If that fails to clear the error, replace the photoconductor unit with a new one. For details about replacement, see the instructions that come with the photoconductor unit.

Please Wait

Printing cannot start because the previous job is being processed. Try again after a few seconds.

Print Overrun

The required time to process the print data exceeded the print engine speed because the current page is too complex. Press the **OK** button to resume printing, or cancel the print job. To cancel the print job, see “Canceling Printing” on page 109. If this message appears again, select **On** as the **Page Protect** setting in the control panel's **Setup Menu** or select **Avoid Page Error** on the printer driver.

If you continue to receive this message when printing a particular page, try simplifying the page by limiting the number of graphics or reducing the number and size of fonts.

To avoid this error, it is recommended that you set the **Page Protect** setting to **On** and add more memory to the printer. See “Setup Menu” on page 69 and “Memory Module” on page 116 for details.

PS3 CompactFlash Full (For AL-M400 Series only)

The memory allocated for writing PostScript 3 commands on the optional CompactFlash memory is full. To clear this warning message, select **Clear Warnings** from the control panel's **Reset Menu**. For instruction about accessing the control panel menus, see “How to access the control panel menus” on page 60.

RAM CHECK

The printer is checking the RAM.

Ready

The printer is ready to receive data and print.

Reboot to apply settings

You selected **No** when **Do you want to reboot to apply the settings?** was displayed. To clear this warning message, select **Clear Warnings** from the control panel's **Reset Menu**. See “How to access the control panel menus” on page 60 for instructions.

Remove paper from output tray (For AL-M400 Series only)

The output tray reached the maximum capacity. Removing the printouts will print the rest of the print job.

Replace Feed Roller C1, Replace Feed Roller C2, Replace Feed Roller C3 (For AL-M400 Series only), **Replace Feed Roller C4** (For AL-M400 Series only)

The feed roller C1, C2, C3, or C4 has reached the end of its service life and needs to be replaced. If this error occurs, consult your dealer.

Replace Fuser (For AL-M300 Series only)

The fuser has reached the end of its service life and needs to be replaced. For details about replacement, see the instructions that come with the fuser unit.



Caution:

If the printer has been in use, the fuser and the surrounding areas may be very hot. If you must touch one of these areas, turn off the printer and wait 40 minutes to allow the heat to subside before doing so.

Replace Maintenance Unit (For AL-M400 Series only)

The maintenance unit has reached the end of its service life and needs to be replaced. For details about replacement, see the instructions that come with the maintenance unit.



Caution:

If the printer has been in use, the fuser and the surrounding areas may be very hot. If you must touch one of these areas, turn off the printer and wait 40 minutes to allow the heat to subside before doing so.

Replace Photoconductor

The photoconductor unit has reached the end of its service life and needs to be replaced. For details about replacement, see the instructions that come with the photoconductor unit.

Replace Toner Cartridge

The toner cartridge has reached the end of its service life and needs to be replaced. For details about replacement, see the instructions that come with the toner cartridge.

Reserve Job Canceled

The printer cannot store the data of your print job using the Reserve Job function. The maximum number of print jobs stored on the printer's memory has been reached, or the memory has no more memory available to store a new job. To store a new print job, delete a previously stored job. Also, if you have any Confidential Jobs stored, printing those jobs will make more memory available.

You may also increase the available memory space by changing the RAM Disk setting to Normal or Maximum. For details, see "Setup Menu" on page 69.

To clear this warning message, select Clear Warning from the control panel's Reset Menu. For instruction about accessing the control panel menus, see "How to access the control panel menus" on page 60.

Reset All

All printer's interface has been reset and the buffer has been cleared. The printer reboots automatically.

Reset to Save

A control panel menu setting was changed while the printer was printing. Press the **OK** button to clear this message. The setting will become effective after printing has finished.

Alternatively you can clear this message by performing Reset All on the control panel. However, the print data will be deleted.

ROM CHECK

The printer is checking the ROM.

SELF TEST

The printer is currently performing a self test and initialization.

Service Req Cffff/ Service Req Exxx

A controller error or a print engine error has been detected. Turn off the printer. Wait at least 5 seconds, then turn it back on. If the error message still appears, write down the error number listed on the LCD panel (Cffff/Exxx), turn off the printer, unplug the power cord, then contact a qualified service representative.

Shake and reinstall Photoconductor

The photoconductor unit may not be installed correctly. Remove the photoconductor unit, shake it, and then reinsert it. If the error status still remains, turn the printer off and then on again. If this error persists, consult your dealer.

Shake and reinstall Toner Cartridge

The toner inside of the toner cartridge may be uneven. Remove the toner cartridge, rock it back and forth a few times so the toner is spread evenly, and then reinsert it. If this error persists, consult your dealer.

Sleep (while the **Wakeup/Sleep** button is lighting)

The printer is currently in the power-save mode. This mode is canceled when the printer receives print data.

Toner Cartridge Error

There is a problem with the toner cartridge. Remove the toner cartridge and reinsert it. If that fails to clear the error, replace the toner cartridge with a new one. For details about replacement, see the instructions that come with the toner cartridge.

Toner Low

This message indicates that the toner cartridge is near the end of its service life. Prepare a new toner cartridge.

Unable Clear Error

The printer cannot clear an error message because the error status still remains. Try solving the problem again.

Warming Up

The printer is warming up the fuser to be ready to print.

Write Error ROM P

This message indicates an internal error in the printer. Reset the printer. If this error persists, consult your dealer.

Writing ROM P

This message indicates that a ROM module in the slot is being written. Please wait until this message disappears.

Wrong Password

No print jobs have been saved with the password you entered.

Wrong Photoconductor

An inappropriate photoconductor unit is installed. Install only the photoconductor unit listed in “Consumable Products” on page 204.

Wrong Toner Cartridge

An inappropriate toner cartridge is installed. Install only the toner cartridge listed in “Consumable Products” on page 26.

Printing and Deleting Reserve Job Data

Print jobs stored on the printer’s memory using the Re-Print Job, Verify Job, and Stored Job options of the Reserve Job function can be printed and deleted using the control panel’s Quick Print Job Menu. Jobs saved using the Confidential Job option can be printed from the Confidential Job Menu. Follow the instructions in this section.

Note:

The RAM Disk setting on the control panel must be set to Normal or Maximum to use the Reserve Job function. We recommend installing optional memory to use this function. For instructions about increasing your printer’s memory, see “Installing a memory module” on page 116.

Using the Quick Print Job Menu

Follow the steps below to print or delete Re-Print Job, Verify Job, and Stored Job data.

1. Make sure the LCD panel displays **Ready**, then press the ► **Right** button to access the control panel menus.
2. Press the ▼ **Down** button repeatedly until **Quick Print Job Menu** appears on the LCD panel, then press the ► **Right** button.

3. Use the ▼ **Down** or ▲ **Up** button to scroll to the appropriate user name, then press the ► **Right** button.
4. Use the ▼ **Down** or ▲ **Up** button to scroll to the appropriate job name, then press the ► **Right** button.
5. Press the ► **Right** button, then use the ▼ **Down** and ▲ **Up** buttons to select the number of copies.

To delete the print job without printing any copies, press the ▼ **Down** button to display `Delete` on the LCD panel.

6. Press the ► **Right** button to start printing or to delete the data.

Using the ConfidentialJobMenu

Follow the steps below to print or delete Confidential Job data.

1. Make sure the LCD panel displays `Ready`, then press the ► **Right** button to access the control panel menus.
2. Press the ▼ **Down** button repeatedly until `ConfidentialJobMenu` appears on the LCD panel, then press the ► **Right** button.
3. Use the ▼ **Down** or ▲ **Up** button to scroll to the appropriate user name, then press the ► **Right** button.
4. Enter your four-digit password.

To enter the password, press the ▼ **Down** or ▲ **Up** button to select the character and press the ► **Right** button to determine the character. After all characters are determined, press the ► **Right** button.

Note:

If no print jobs have been saved with the password you entered, `Wrong Password` appears briefly on the LCD panel then the printer exits the control panel menus. Confirm the password and try again.

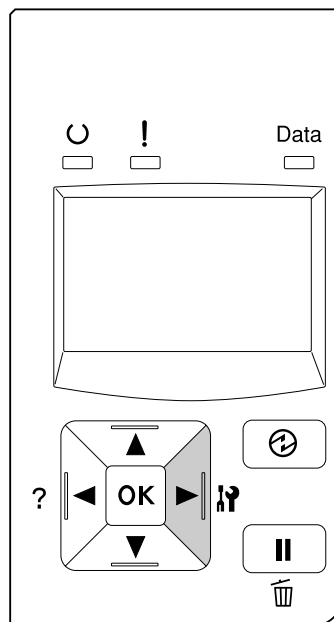
5. Use the ▼ **Down** or ▲ **Up** button to scroll to the appropriate job name, then press the ► **Right** button.
6. Use the ▼ **Down** or ▲ **Up** button to display `Print`.

To delete the print job, press the ▼ **Down** or ▲ **Up** button to display **Delete** on the LCD panel.

7. Press the ► **Right** button to start printing or to delete the data.

Printing a Configuration Status Sheet

1. Turn on the printer. The LCD panel shows **Ready**.
2. Press the ► **Right** button three times. The printer prints a configuration status sheet.



3. Confirm that the information about the installed options is correct. If the options are installed correctly, they appear under **Hardware Configuration**. If the options are not listed, try reinstalling them.

Note:


- ❑ If the configuration status sheet does not list your installed options correctly, make sure that they are securely connected to the printer.
- ❑ If you are unable to get the printer to print a correct configuration status sheet, contact your dealer.
- ❑ Print the configuration status sheet on A4 size paper.

Canceling Printing


You can cancel printing from your computer by using the printer driver.

To cancel a print job before it is sent from your computer, see “Cancelling a Print Job” on page 41.

Using the Pause/Release button

The **II**  **Pause/Release** button on your printer is the quickest and easiest way to cancel printing. Pressing this button cancels the currently printing job or the specified print job in the printer's memory.

Follow the steps below to cancel the job.

1. Press the **II**  **Pause/Release** button.
2. Press the **▼ Down** or **▲ Up** button to select the job that you want to cancel, then press the **OK** button.
3. Press the **▼ Down** or **▲ Up** button to select **Cancel Job**, then press the **OK** button. Printing is canceled.


Note:

- Select **Cancel All Jobs** on step 3 to cancel all print jobs in the printer's memory.
- The operation is canceled and printing restarts one minute after the printer is not operated.
- After canceling jobs is completed, the printer recovers from pause.

Interrupting Printing

If the printer is shared, it is possible to interrupt the current print job to print a different print job.

Follow the steps below to use this function.

1. Press the **II**  **Pause/Release** button to stop the current print job.
2. Press the **▼ Down** or **▲ Up** button to select the job that you want to print, then press the **OK** button.

3. Press the ▼ **Down** or ▲ **Up** button to select Interrupt Printing, then press the **OK** button.

Note:

The operation is canceled and the printing restarts one minute after the printer is not operated.

Chapter 4

Installing Options

Optional Paper Cassette Unit

For details about the paper types and sizes that you can use with the optional paper cassette unit, see “Lower paper cassette” on page 32. For specifications, see “Optional paper cassette unit” on page 203.

The available optional paper cassette units are as follows:

- ❑ AL-M300 Series 250-Sheet Paper Cassette Unit × 1
- ❑ AL-M400 Series 550-Sheet Paper Cassette Unit × 3

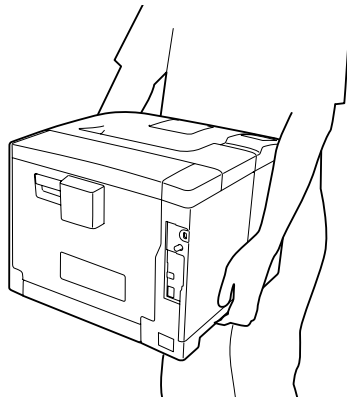
Note:

The illustrations in this section show the AL-M400 Series as an example.

Handling precautions

Always pay attention to the following handling precautions before installing the option:

Be sure to lift the printer from the positions shown below.



Caution:

If you lift the printer incorrectly, you could drop it and cause injury.

Installing the optional paper cassette unit

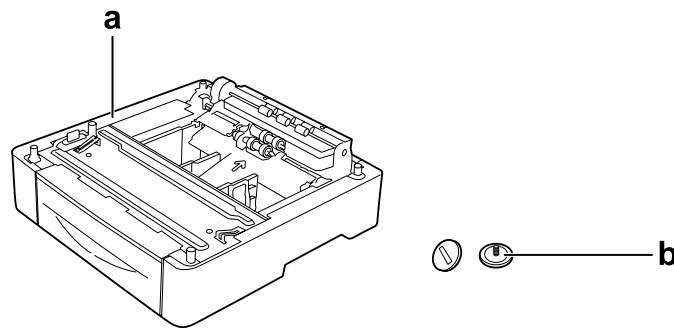
1. Turn the printer off and unplug the power cord and interface cable.



Important:

Make sure to unplug the power cord from the printer to prevent getting an electrical shock.

2. Carefully take the optional paper cassette unit out from its carton and place it where you intend to set up the printer.
3. Confirm the bundled items.

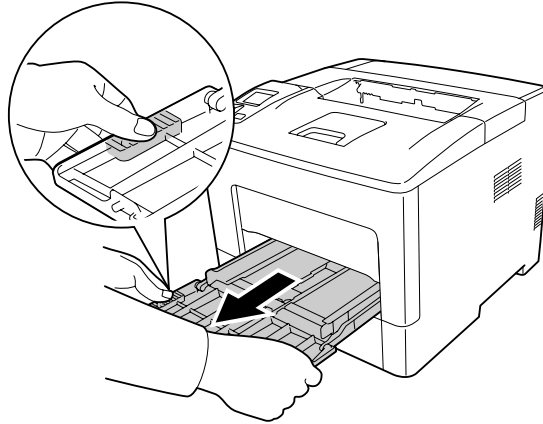


- a. optional paper cassette unit
- b. screws

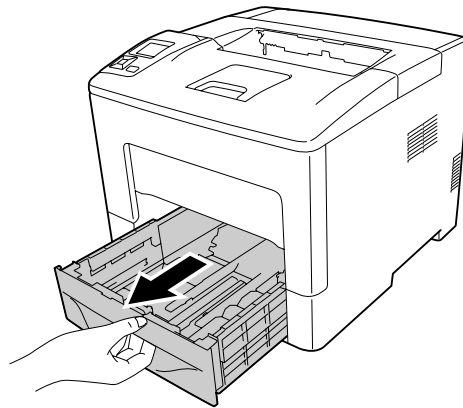
Note for AL-M400 Series users:

If you install two or more optional paper cassette units, secure them to each other in advance. Then, follow the steps below. For details on how to install the optional paper cassettes together, see the instructions that come with the paper cassette units.

4. Pull out the MP tray.

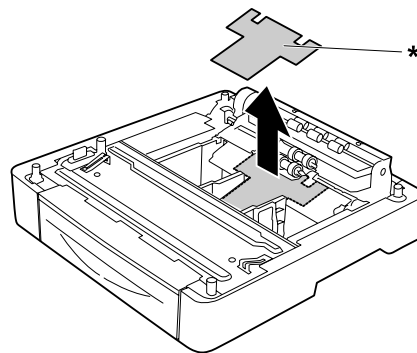


5. Pull out the standard lower paper cassette.



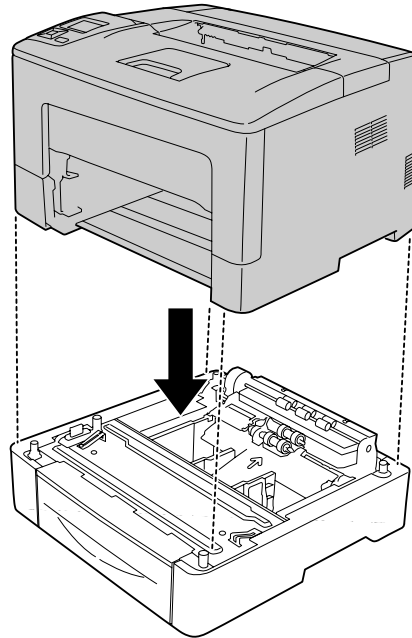
Note for AL-M300 Series users:

Remove the protective materials from the optional paper cassette before proceeding to step 6.



* protective material

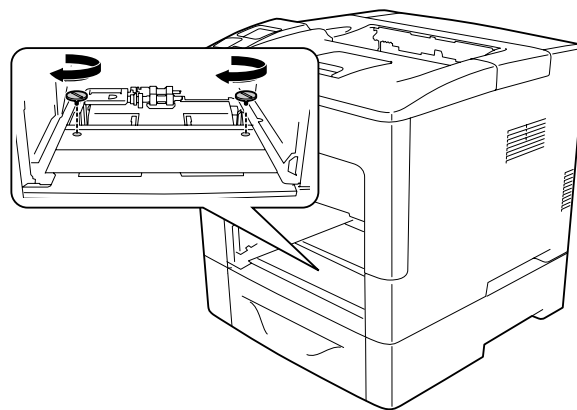
6. Place the printer onto the optional paper cassette unit. Align each of the printer's corners with those of the optional paper cassette unit. Then lower the printer until it rests securely on the optional paper cassette unit.



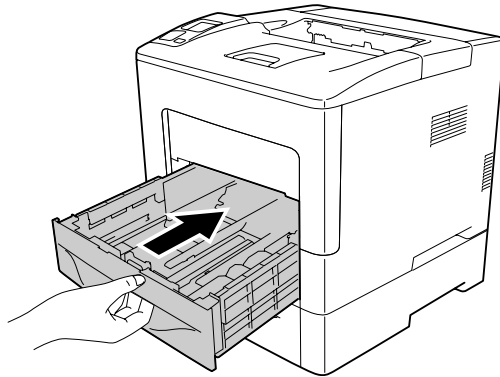
Note for AL-M400 Series users:

If multiple optional paper cassette units are connected in advance, place the printer onto the top paper cassette unit.

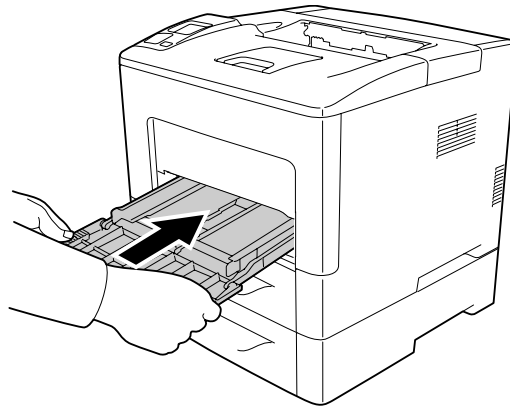
7. Secure the printer to the optional paper cassette unit with the two screws.



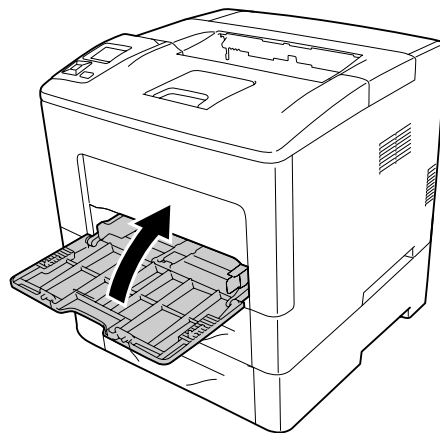
8. Insert the standard lower paper cassette.



9. Insert the MP tray into the printer.



10. Close the MP tray.



11. Reconnect the interface cable and power cord, and then turn the printer on.

To confirm that the option is installed correctly, print a configuration status sheet. See “Printing a Configuration Status Sheet” on page 151.

Removing the optional paper cassette unit

Perform the installation procedure in reverse.

Memory Module

By installing Dual In-line Memory Module (DIMM), you can increase printer memory up to 1152 MB. You may want to add additional memory if you are having difficulty printing complex graphics.

Installing a memory module



Caution:

Be careful when working inside the printer as some components are sharp and may cause injury.

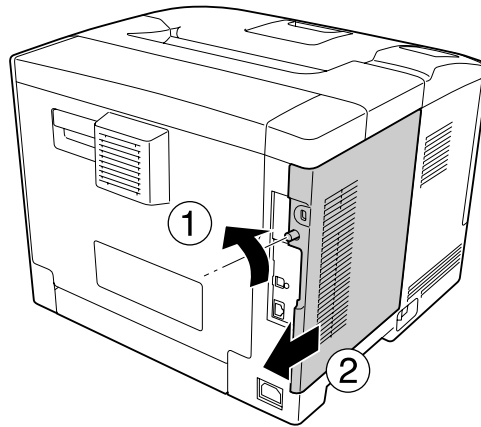


Important:

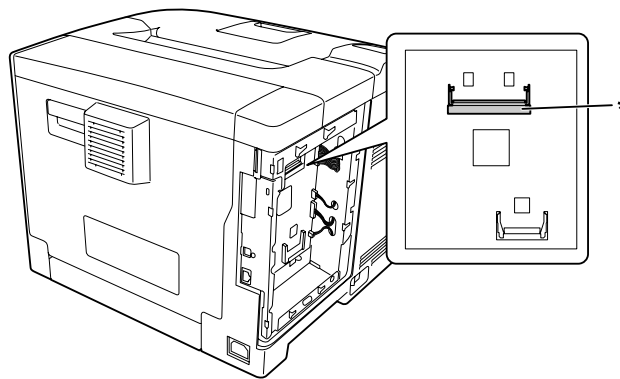
Before you install a memory module, be sure to discharge any static electricity by touching a grounded piece of metal. Otherwise, you may damage static-sensitive components.

1. Turn the printer off and unplug the power cord and interface cable.

2. Remove the left side cover by loosening the screw on the back of the printer and sliding the cover backward.

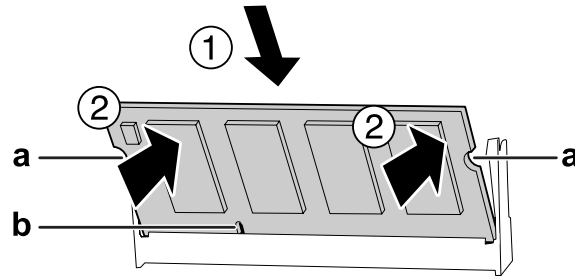


3. Identify the RAM slot.



* RAM slot

- Confirm that the notch-b on the expansion memory module matches with that of the slot, and then firmly insert the bottom edge of the memory module into the slot until it stops. Then press both sides of the memory module up. Make sure that each notch-a of the memory module fits to each protrusion of the slot.



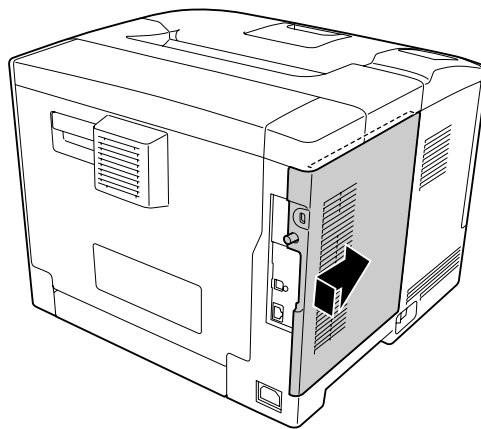
a notch-a
b notch-b



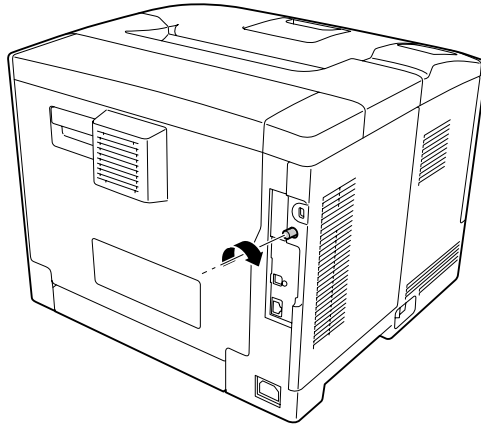
Important:

- Do not force the memory module into the slot.
- Be sure to insert the memory module facing the correct way.
- You should not remove any modules from the circuit board. Otherwise, the printer will not work.

- Reattach the left side cover to the printer as shown below.



6. Tighten the screw on the back of the printer.

**Important:**

Tighten the screw firmly to prevent the printer's left side cover from the falling off when moving the printer.

7. Reconnect the interface cable and power cord and turn the printer on.

To confirm that the option is installed correctly, print a configuration status sheet. See "Printing a Configuration Status Sheet" on page 151.

Removing a memory module

**Caution:**

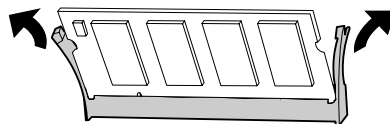
Be careful when working inside the printer as some components are sharp and may cause injury.

**Important:**

Before you remove a memory module, be sure to discharge any static electricity by touching a grounded piece of metal. Otherwise, you may damage static-sensitive components.

Perform the installation procedure in reverse.

When removing a memory module from its slot, spread apart the clips on each side of the memory slot, and then slide the memory module out.



CompactFlash Memory (For AL-M400 Series only)

Installing a CompactFlash memory

An optional CompactFlash memory enables you to store overlay forms, use Reserve Job function, and improve the collate printing environment.



Caution:

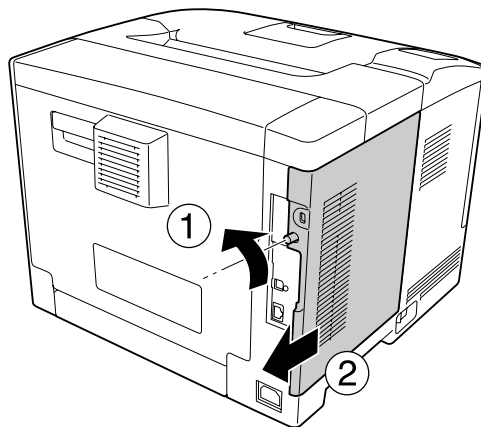
Be careful when working inside the printer as some components are sharp and may cause injury.



Important:

Before you install a CompactFlash memory, be sure to discharge any static electricity by touching a grounded piece of metal. Otherwise, you may damage static-sensitive components.

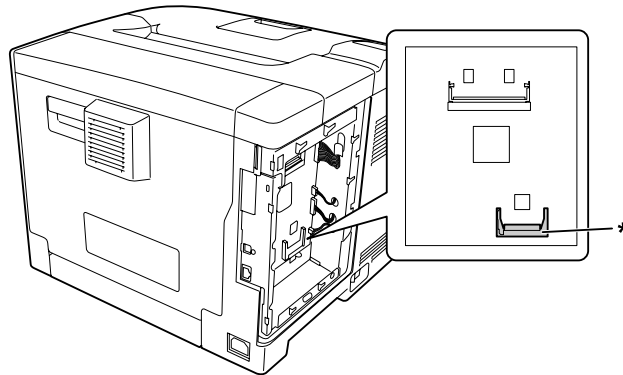
1. Turn the printer off and unplug the power cord and interface cable.
2. Remove the left side cover by loosening the screw on the back of the printer and sliding the cover backward.



Caution:

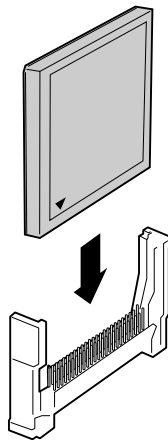
If the printer has been in use, the heatsink inside the back cover may be very hot. Be careful not to touch the heatsink. See “Using the printer” on page 17 for details.

3. Identify the installation slot for a CompactFlash memory.

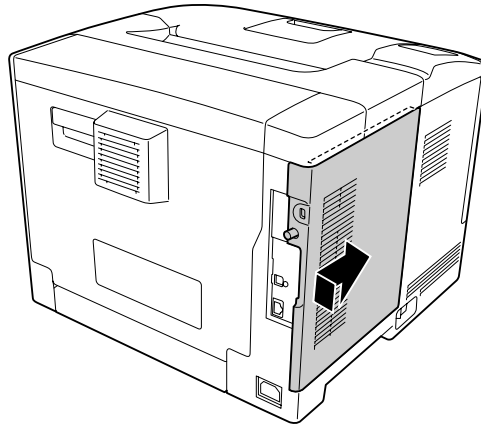


* CompactFlash memory slot

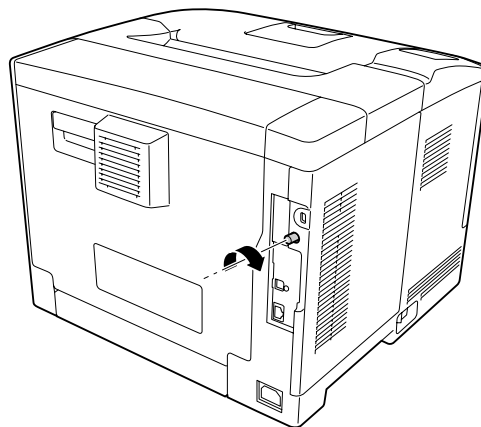
4. Insert a CompactFlash memory into the slot.



5. Reattach the left side cover to the printer as shown below.



6. Tighten the screw on the back of the printer.



7. Reconnect the interface cable and power cord and turn the printer on.

To confirm that the option is installed correctly, print a configuration status sheet. See “Printing a Configuration Status Sheet” on page 151.

Note for Windows users:

If EPSON Status Monitor is not installed, you have to make settings manually in the printer driver. See “Making Optional Settings” on page 170.

Removing a CompactFlash memory

**Caution:**

Be careful when working inside the printer as some components are sharp and may cause injury.

**Important:**

Before you remove a CompactFlash memory, be sure to discharge any static electricity by touching a grounded piece of metal. Otherwise, you may damage static-sensitive components.

Perform the installation procedure in reverse.

Note:

- Completely erase all data using specialized software or carry out Delete All CompactFlash Data on Support Menu before you give away or discard CompactFlash memory. See “Support Menu” on page 88 for details.*
- Deleting files or formatting the CompactFlash memory from the computer may not erase the data completely. Physically destroying the CompactFlash memory is also recommended when you discard CompactFlash memory.*

Chapter 5

Replacing Consumable Products/Maintenance Parts

Precautions During Replacement

Always observe the following handling precautions when replacing consumable products or maintenance parts.

For details about the replacements, see the instructions that come with the consumable products.



Caution:

- Be careful not to touch the fuser, which is marked with a caution label, or the surrounding areas. If the printer has been in use, the fuser and surrounding areas may be very hot.*
- Do not dispose of used consumable products or maintenance parts in fire, as they may explode and cause injury. Dispose of them according to local regulations.*
- Provide enough space for the replacement procedure. You will have to open some parts (such as the printer cover) of the printer when you are replacing consumables or maintenance parts.
- Do not install used consumable products or maintenance parts that reach end of service life into the printer.

For details about the handling precautions, see “Handling the consumable products and maintenance parts” on page 18.

Replacement Messages

If a consumable product or maintenance part reaches the end of its service life, the printer displays the following message on the LCD panel or the window of EPSON Status Monitor.

Note:

Messages appear for one consumable product or maintenance part at a time. After replacing a consumable product or maintenance part, check the LCD panel for replacement messages for other consumable products or maintenance parts.

AL-M300 Series

LCD Panel Message	Description
Replace Toner Cartridge	The toner cartridge has reached the end of its service life.
Replace Photoconductor	The photoconductor unit has reached the end of its service life.
Replace Fuser	The fuser has reached the end of its service life.

AL-M400 Series

LCD Panel Message	Description
Replace Toner Cartridge	The toner cartridge has reached the end of its service life.
Replace Photoconductor	The photoconductor unit has reached the end of its service life.
Replace Maintenance Unit	The maintenance unit has reached the end of its service life.

Chapter 6

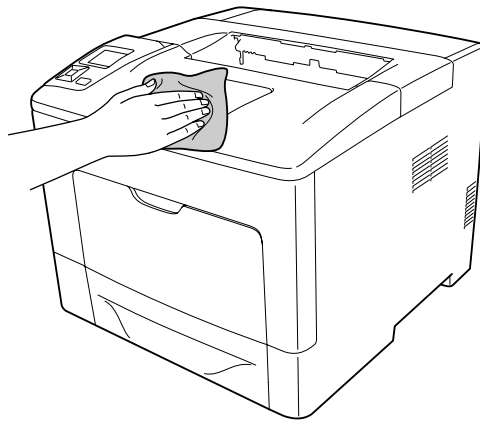
Cleaning and Transporting the Printer

Cleaning the Printer

Note:

The illustrations in this section show the AL-M400 Series as an example.

The printer needs only minimal cleaning. If the printer's outer case is dirty or dusty, turn off the printer and clean it with a soft, clean cloth moistened with a mild detergent.



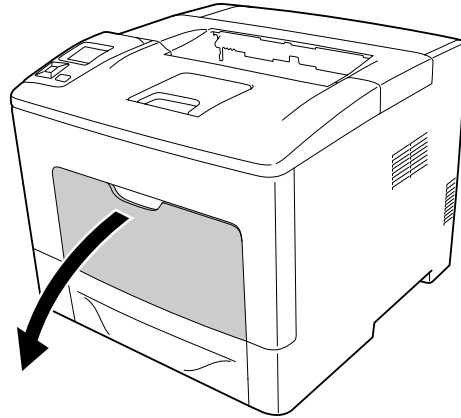
Important:

Never use alcohol or paint thinner to clean the printer cover. These chemicals can damage the components and the case. Be careful not to get water onto the printer mechanism or any electrical components.

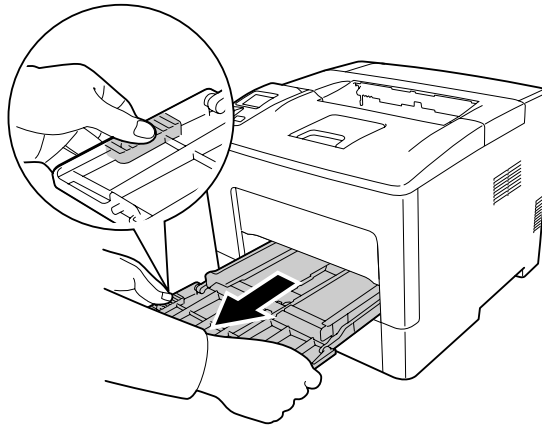
Cleaning the pickup roller

MP tray

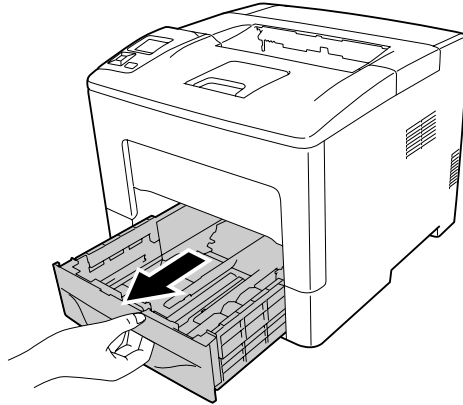
1. Open the MP tray.



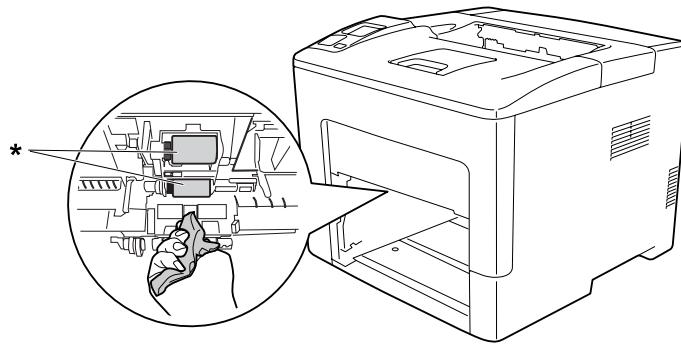
2. Pull out the MP tray from the printer.



3. Pull out the standard lower paper cassette.

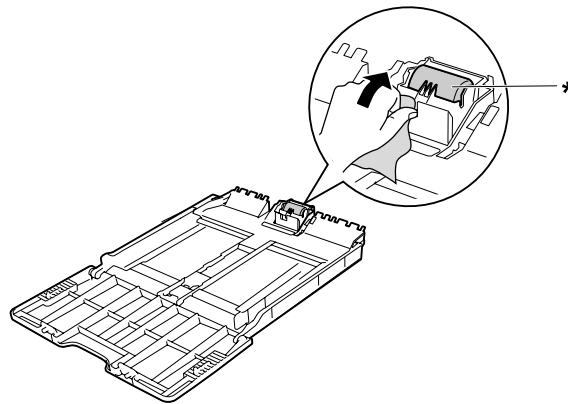


4. Gently wipe the rubber parts of the two pickup rollers inside the printer with a well-wrung wet cloth.



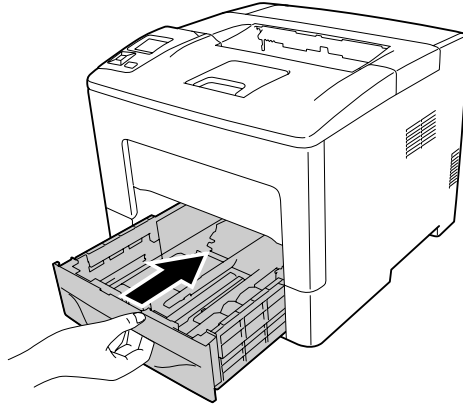
* pickup roller

5. Gently wipe the rubber parts of the pickup roller on the MP tray with a well-wrung wet cloth.

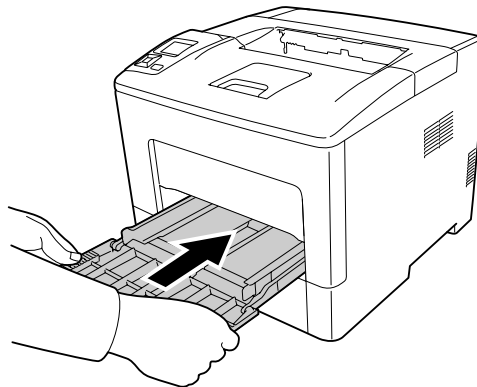


* pickup roller

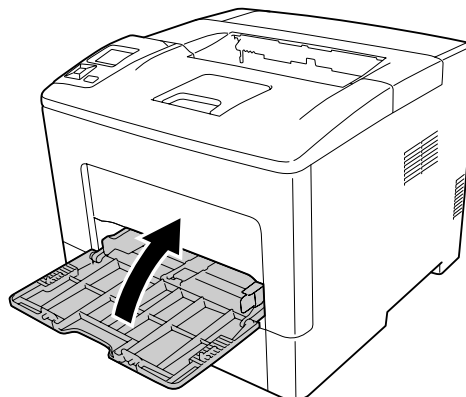
6. Insert the lower paper cassette unit.



7. Insert the MP tray into the printer.

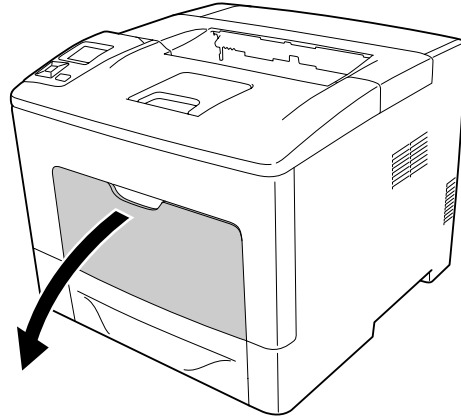


8. Close the MP Tray.

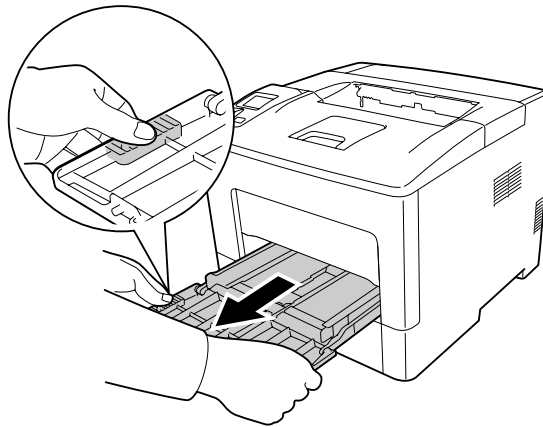


Lower paper cassette

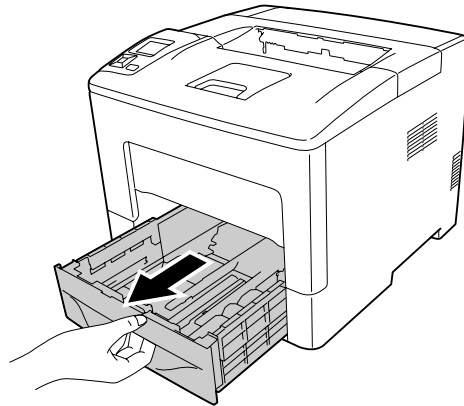
1. Open the MP tray.



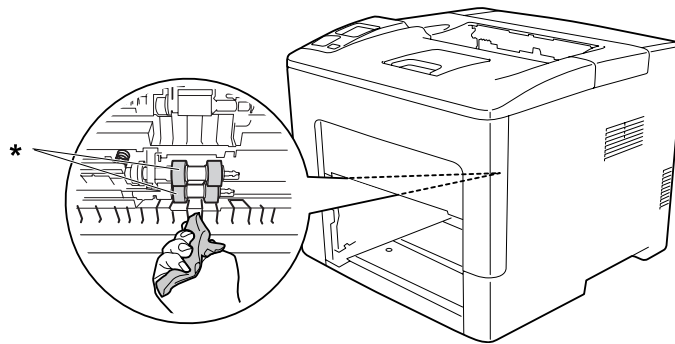
2. Pull out the MP tray from the printer.



3. Pull out the lower paper cassette.

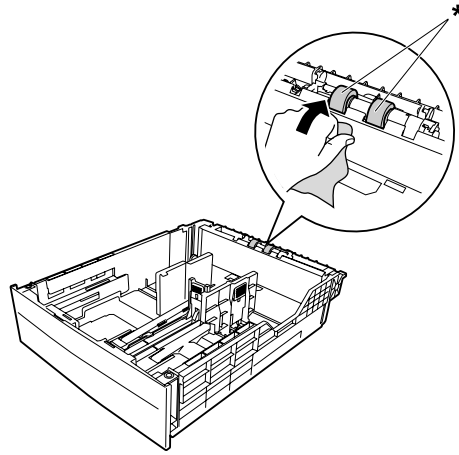


4. Gently wipe the rubber parts of the two pickup rollers inside the printer with a well-wrung wet cloth.



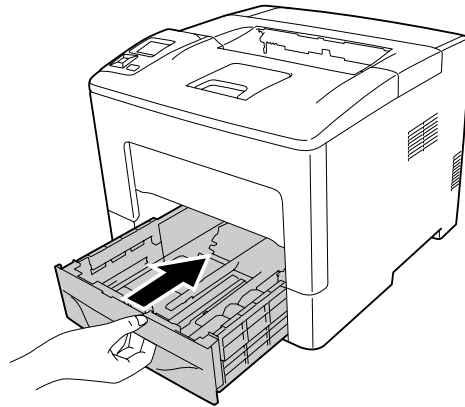
* pickup roller

5. Gently wipe the rubber parts of the pickup roller on the lower paper cassette with a well-wrung wet cloth.

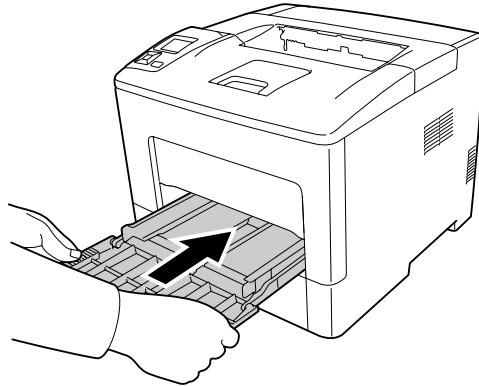


* pickup roller

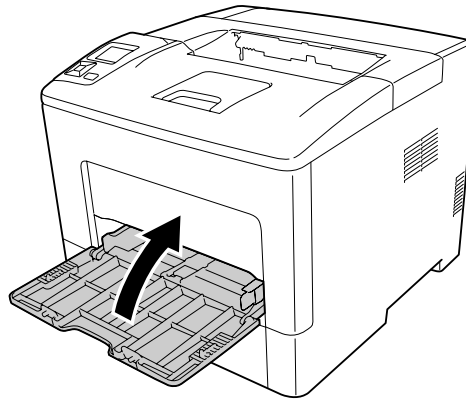
6. Insert the lower paper cassette unit.



7. Insert the MP tray into the printer.



8. Close the MP Tray.



Transporting the Printer

For long distances

Before you move the printer, prepare the location where you are going to place it. See the following sections.

- “Setting up the printer” on page 13
- “Finding the place for the printer” on page 15

Repacking the printer

If you need to transport your printer for long distances, carefully repack it using the original box and packing materials.

1. Turn off the printer and remove the following items:

- Power cord
- Interface cables
- Loaded paper
- Installed options

2. Attach the protective materials onto the printer, then repack the printer in its original box.



Important:

When moving the printer, always keep it horizontal.

For short distances

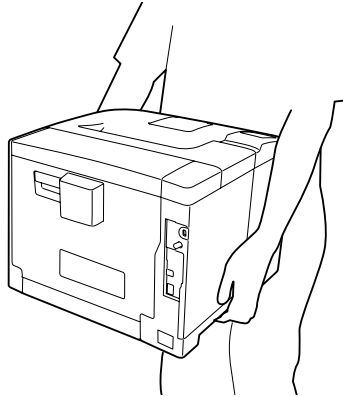
Before you move the printer, prepare the location where you are going to place it. See the following sections.

- “Setting up the printer” on page 13
- “Finding the place for the printer” on page 15

1. Turn off the printer and remove the following items:

- Power cord
- Interface cables
- Loaded paper
- Installed options

2. Be sure to lift the printer by the correct positions as shown below.

**Important:**

When moving the printer, always keep it horizontal.

Note:

The above illustrations show the AL-M400 Series as an example.

Chapter 7

Troubleshooting

Clearing Jammed Paper

If paper becomes jammed in the printer, the printer's LCD panel and EPSON Status Monitor provide alert messages.

Error Message	Refer to
Clear Paper Jam B	For instructions on clearing this type of paper jam, see "Paper Jam B (Cover B)" on page 137.
Clear Paper Jam MP C1 B	For instructions on clearing this type of paper jam, see "Paper Jam MP, C1, C2, B (MP tray, Cassette1-2, Cover B)" on page 140.
Clear Paper Jam MP C1 C2 B	
(AL-M400 Series only) Clear Paper Jam C2, E2, B Clear Paper Jam C3, E2, B Clear Paper Jam C4, E3, B Clear Paper Jam C2, C3, E2, E3, B Clear Paper Jam C3, E2, E3, B Clear Paper Jam C3, C4, E3, B Clear Paper Jam C2, C3, C4, E2, E3, B	For instructions on clearing this type of paper jam, see "Paper Jam C2, C3, C4, E2, E3, B (Cassette2-4, Cover E2-E3, Cover B)" on page 145.

Note:

The illustrations in this section show the AL-M400 Series as an example.

Precautions for clearing jammed paper

Be sure to observe the following points when you clear jammed paper.

- Do not remove jammed paper by force. Torn paper can be difficult to remove and might cause other paper jams. Pull the paper gently and steadily to avoid tearing it, falling down, and injuring yourself.
- Always try to remove jammed paper with both hands to avoid tearing it.
- If jammed paper is torn and remains in the printer, or if paper is jammed in a place not mentioned in this section, contact your dealer.
- Make sure that the paper type that is loaded is the same as the Paper Type setting in the printer driver.

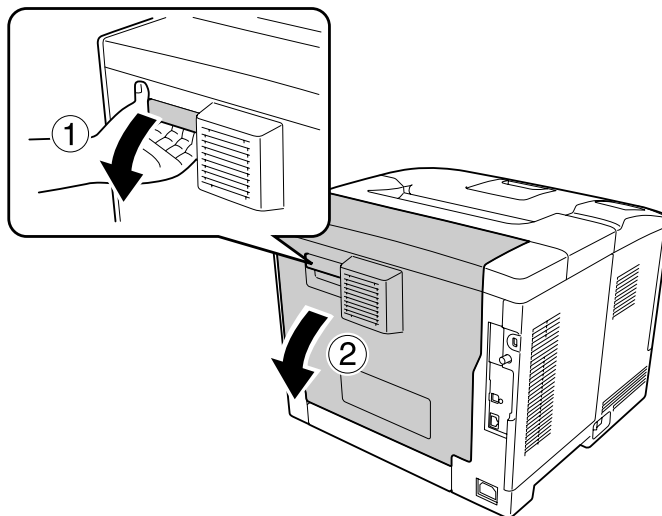


Caution:

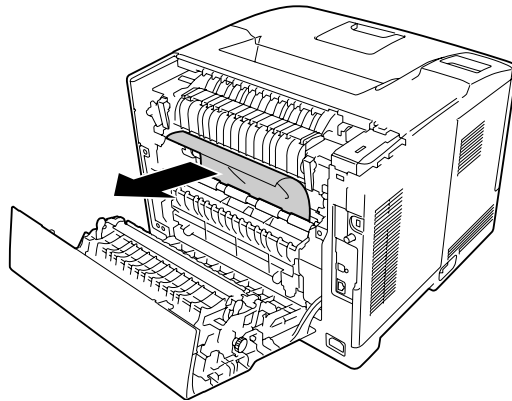
- Unless specifically instructed in this guide, be careful not to touch the fuser, which is marked with a caution label, or the surrounding areas. If the printer has been in use, the fuser and the surrounding areas may be very hot. If you must touch one of these areas, wait 40 minutes to allow the heat to subside before doing so.
- Do not insert your hand deep into the fuser unit as some components are sharp and may cause injury.

Paper Jam B (Cover B)

1. Open cover B.



2. If there is any jammed paper, remove it gently with both hands. Be careful not to tear the jammed paper.

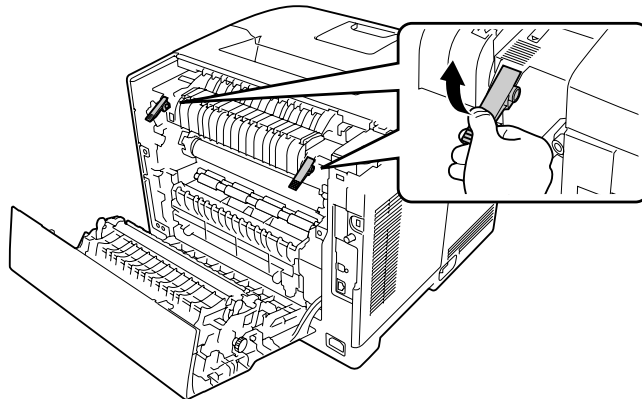
**Caution:**

Be careful not to touch the rollers in the fuser unit, they may be very hot.

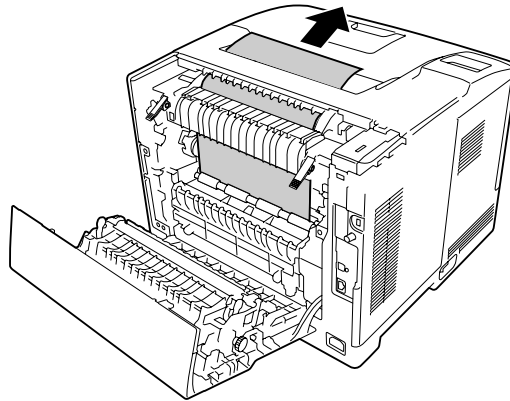
**Important:**

- Do not expose the photoconductor unit to sunlight at all and avoid exposing it to room light for more than three minutes.*
- Do not touch the transfer roller on the transfer unit to avoid damaging it.*

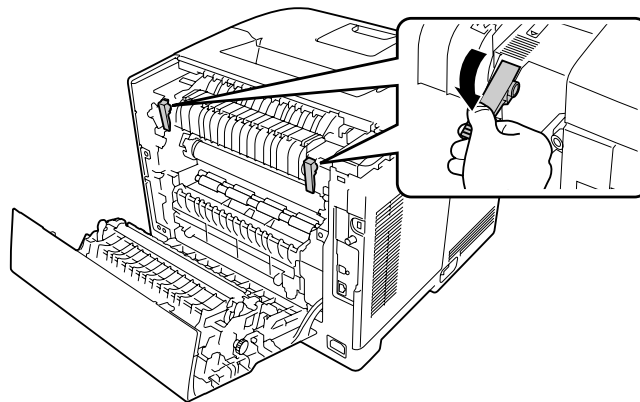
3. Unlock the release levers on the rear of the fuser unit.



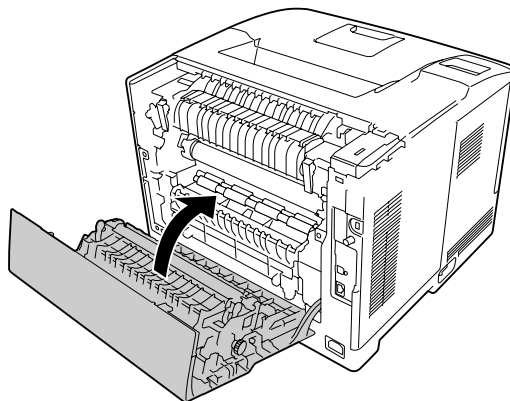
4. If there is any jammed paper, remove it gently with both hands. Be careful not to tear the jammed paper.



5. Lock the release levers.



6. Close cover B.

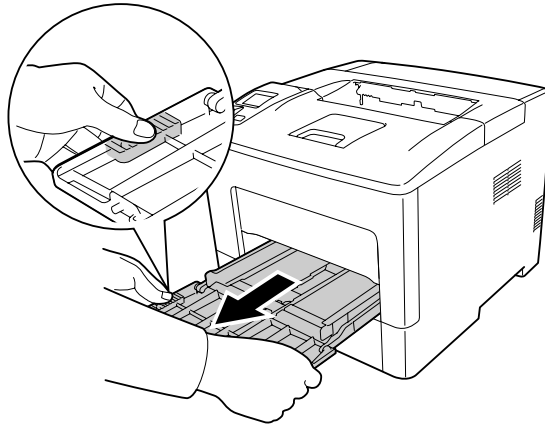


Paper Jam MP, C1, C2, B (MP tray, Cassette 1-2, Cover B)

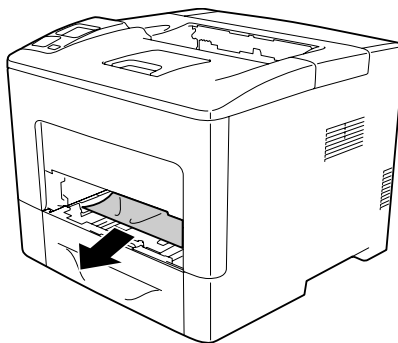
Note:

Be sure to open and close cover B in the last step of the following procedure even if there is no jammed paper inside cover B.

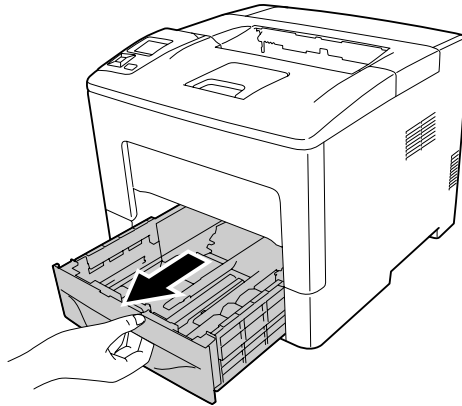
1. Open the MP tray and remove it.




2. If there is any jammed paper, remove it gently with both hands. Be careful not to tear the jammed paper.

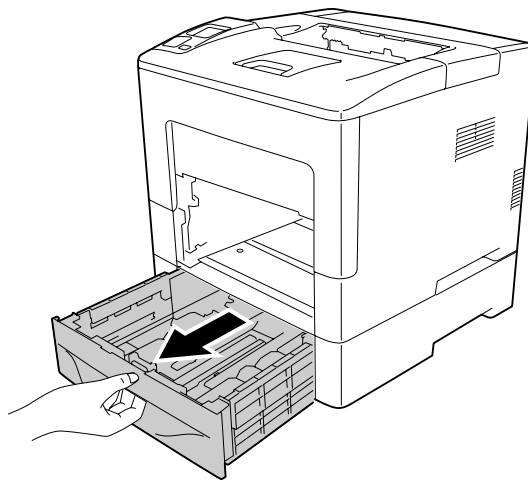


3. Pull out the standard lower paper cassette.

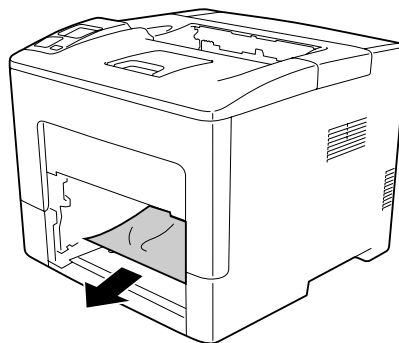


Note:

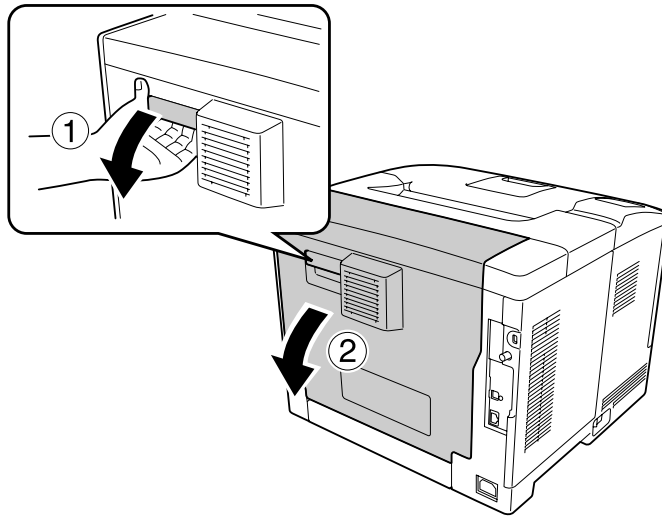
When  is displayed on the LCD panel, pull out the optional paper cassette as well.



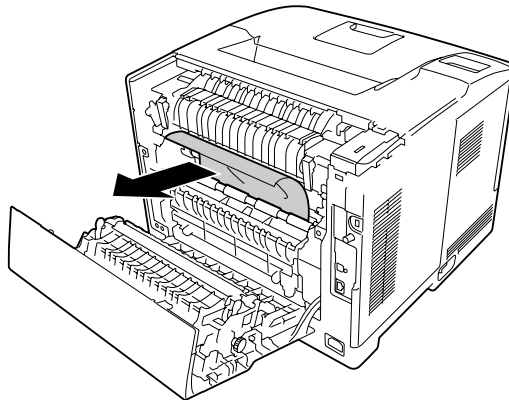
4. If there is any jammed paper, remove it gently with both hands. Be careful not to tear the jammed paper.



5. Open cover B.



6. If there is any jammed paper, remove it gently with both hands. Be careful not to tear the jammed paper.



Caution:

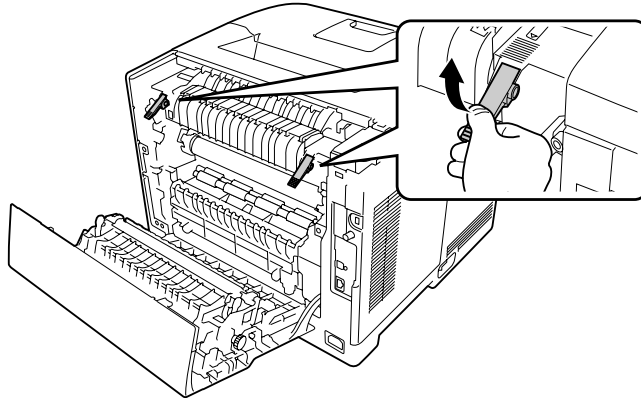
Be careful not to touch the rollers in the fuser unit, they may be very hot.



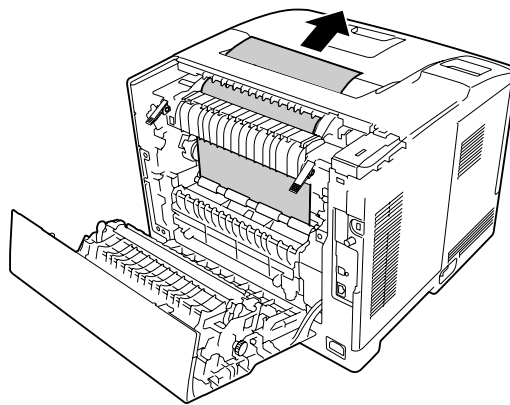
Important:

- Do not expose the photoconductor unit to sunlight at all and avoid exposing it to room light for more than three minutes.*
- Do not touch the transfer roller on the transfer unit to avoid damaging it.*

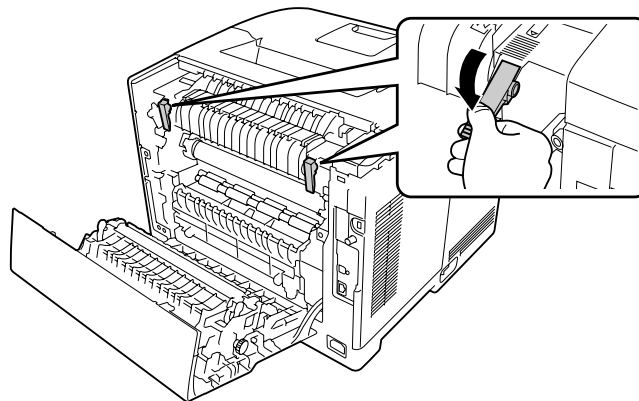
7. Unlock the release levers on the rear of the fuser unit.



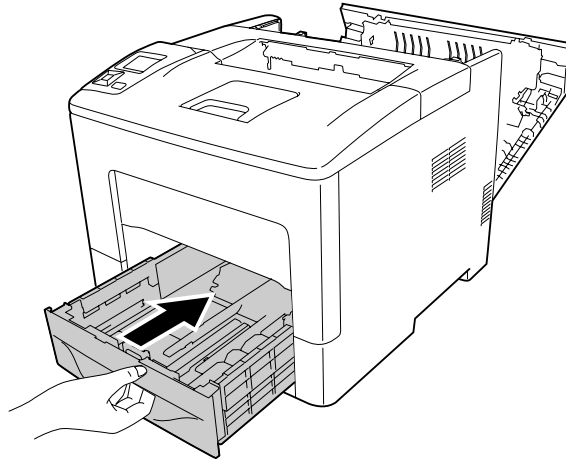
8. If there is any jammed paper, remove it gently with both hands. Be careful not to tear the jammed paper.



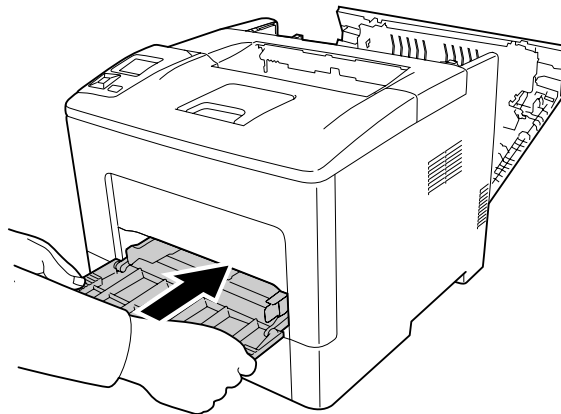
9. Lock the release levers.



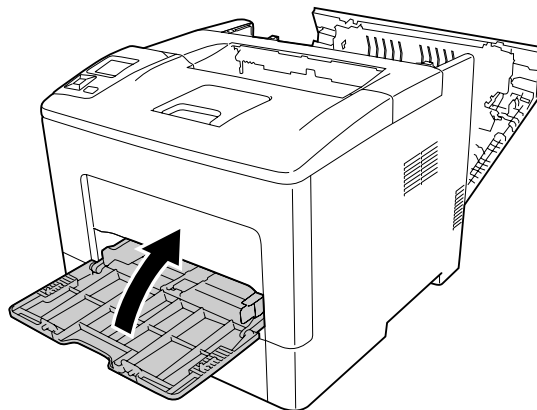
10. Insert the lower paper cassette.



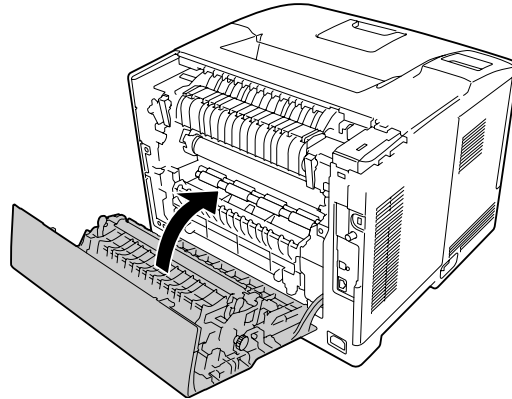
11. Insert the MP tray into the printer.



12. Close the MP Tray.



13. Close cover B.



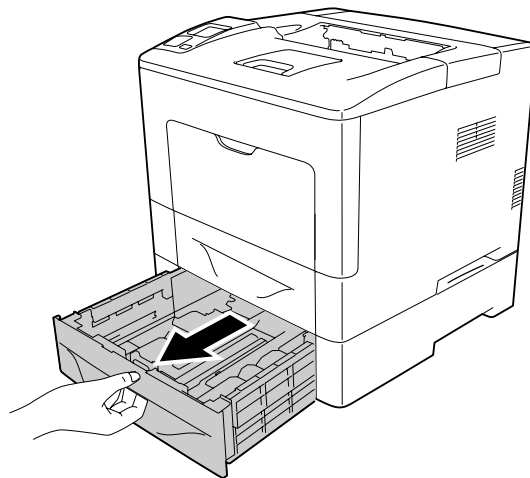
Paper Jam C2, C3, C4, E2, E3, B (Cassette 2-4, Cover E2-E3, Cover B)

Note:

Be sure to open and close cover B in the last step of the following procedure even if there is no jammed paper inside cover B.

The instruction describes about optional lower paper cassette C2 as an example. Use the same procedure for optional paper cassette C3 and C4.

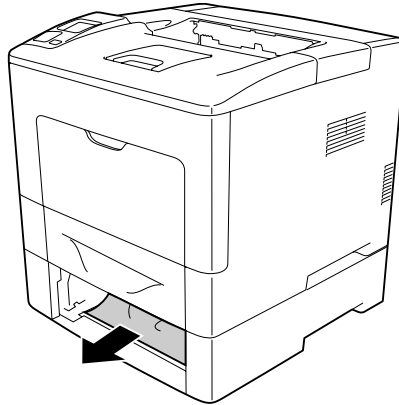
1. Pull out the optional paper cassette from the cassette unit.



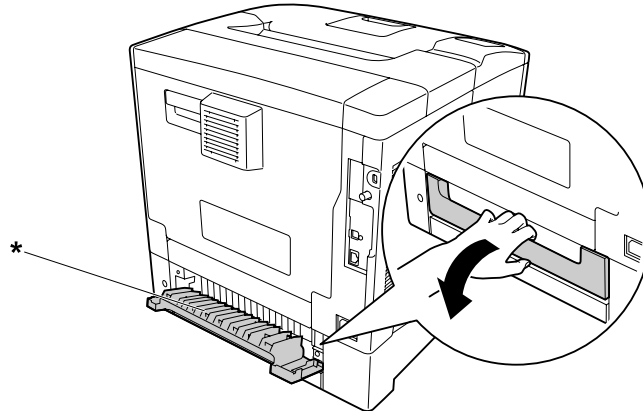
Note:

The optional paper cassette to be pulled out varies according to the error message displayed on the LCD panel. When C2, C3 and/or C4 is displayed, pull out the optional paper cassette C2, C3 and/or C4.

2. If there is any jammed paper, remove it gently with both hands. Be careful not to tear the jammed paper.



3. Open the rear cover of the optional paper cassette.

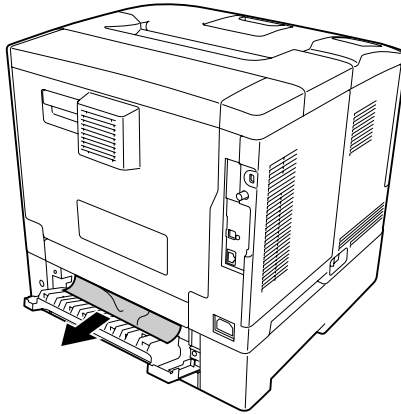


* cover E2

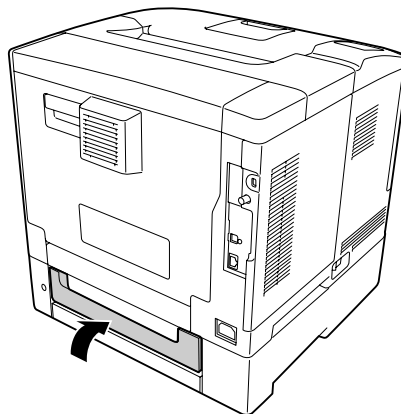
Note:

The cover to be opened varies according to the error message displayed on the LCD panel. When E2 and/or E3 is displayed, pull out the rear cover of the paper cassette C2 and/or C3.

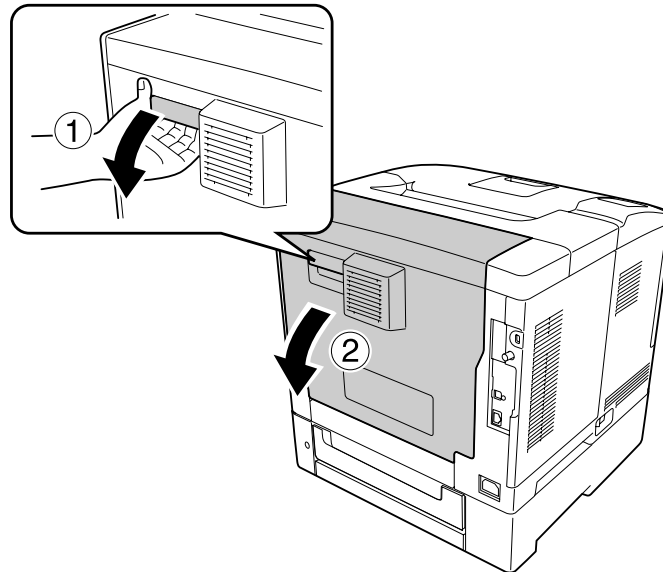
4. If there is any jammed paper, remove it gently with both hands. Be careful not to tear the jammed paper.



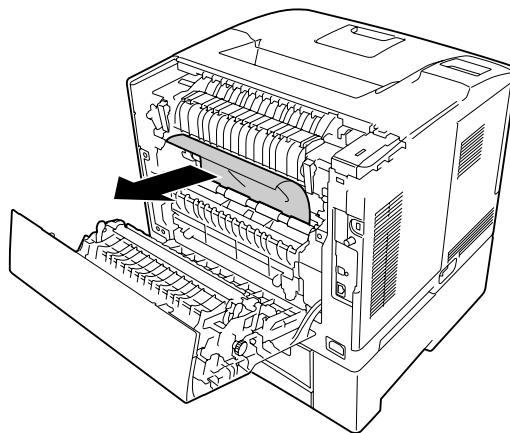
5. Close the rear cover of the optional paper cassette.



6. Open cover B.



7. If there is any jammed paper, remove it gently with both hands. Be careful not to tear the jammed paper.



Caution:

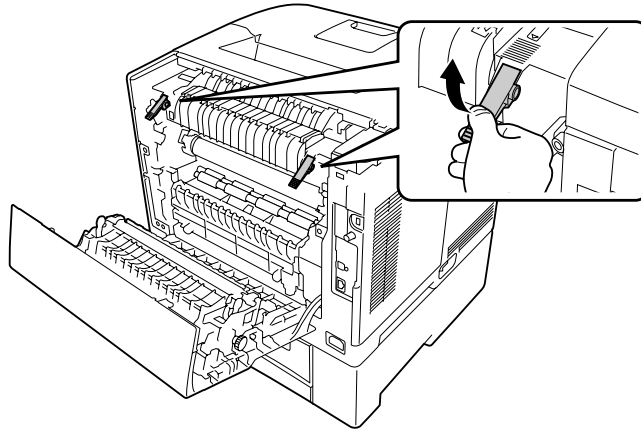
Do not touch the transfer roller on the transfer unit to avoid damaging it.



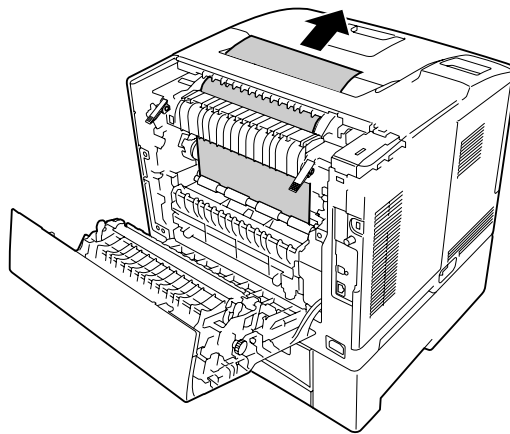
Important:

- Do not expose the photoconductor unit to sunlight at all and avoid exposing it to room light for more than three minutes.*
- Do not touch the transfer roller on the transfer unit to avoid damaging it.*

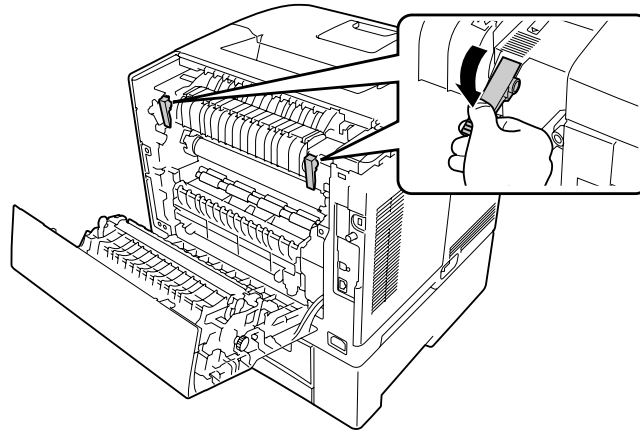
8. Unlock the release levers on the rear of the fuser unit.



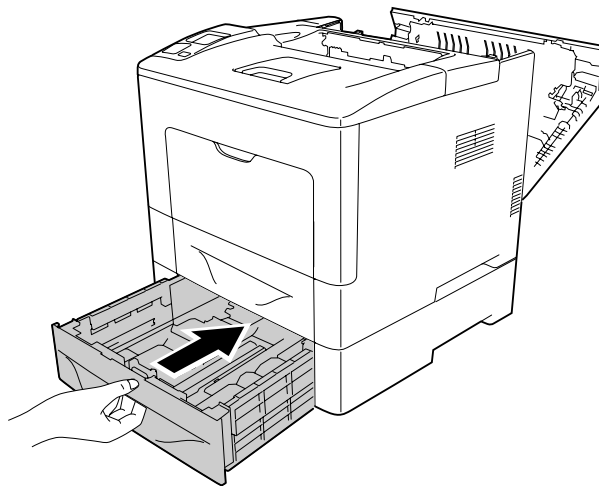
9. If there is any jammed paper, remove it gently with both hands. Be careful not to tear the jammed paper.



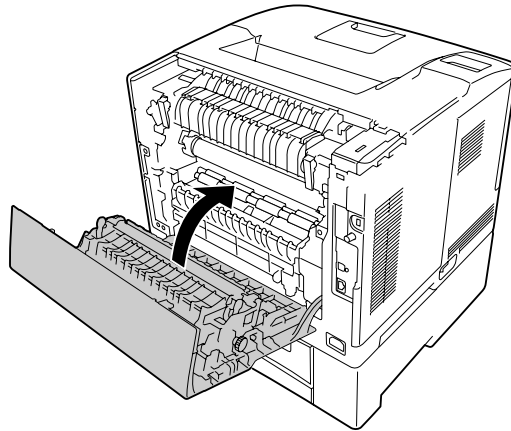
10. Lock the release levers.



11. Insert the optional paper cassette.



12. Close cover B.



Printing a Configuration Status Sheet

To confirm the current status of the printer, and that the options are installed correctly, print a configuration status sheet using the printer's control panel or the printer driver.

To print a configuration status sheet from the printer's control panel, see "Printing a Configuration Status Sheet" on page 108.

To print a configuration status sheet from the printer driver, for Windows, see "Printing a configuration status sheet" on page 170.

Operational Problems

The Ready light does not turn on

Cause	What to do
The power cord may not be properly plugged into the electrical outlet.	Turn off the printer, check the power cord connections between the printer and the electrical outlet, then turn the printer back on.
The electrical outlet may be controlled by an outside switch or an automatic timer.	Make sure that the switch is turned on or plug another electrical device into the outlet to check whether the outlet is operating properly.

Cause	What to do
The printer is in the sleep mode (the Wakeup/Sleep button lights).	Press the Wakeup/Sleep button to return the printer to ready status.
The printer is in the power off mode. (For EU models only)	Turn on the power switch. To not enter the power off mode, set Power Off Timer to Off in Energy Saver Menu on the control panel.

The printer does not print (Ready light off)

Cause	What to do
The printer is offline. The printer is paused by pressing the Pause/Release button.	Press the Pause/Release button once to switch the printer to ready status. Make sure that the Ready light turns on.
Some error may have occurred.	Check the LCD panel to see if an error message appears.
The printer is in the power off mode. (For EU models only)	Turn on the power switch. To not enter the power off mode, set Power Off Timer to Off in Energy Saver Menu on the control panel.

The Ready light is on but nothing prints

Cause	What to do
Your computer may not be properly connected to the printer.	Perform the procedure illustrated in the <i>Setup Guide</i> .
The interface cable may not be plugged in securely.	Check both ends of the interface cable between the printer and the computer.
You may not be using the correct interface cable.	If you are using the parallel interface, make sure that the cable is a double-shielded, twisted-pair interface cable no more than six feet in length. If you are using the USB interface, use a cable that is compatible with Hi-Speed USB.
Your application software is not properly set up for your printer.	Make sure that the printer is selected in your application software.
Your computer system's memory is too small to handle the volume of data in your document.	Try reducing the image resolution of your document in the application software, or install more memory in your computer if you can.

The remaining service life of the consumables is not updated (Windows only)

Cause	What to do
The interval between updating information for the consumables is too long.	Press the Get Information Now button on the Consumable Info Settings dialog box. You can also change the interval for updating information about the consumables on the Consumable Info Settings dialog box.

Cannot install software or drivers

Cause	What to do
You are not accessing the operating system with the administrator privilege.	Access the operating system with the administrator privilege.

Cannot access the shared printer

Cause	What to do
Inappropriate texts are used for the Share name of the shared printer.	Do not use spaces or hyphens for the Share name.
An additional driver cannot be installed on the client computer, although the print server's OS and the client OS are different.	Install the printer drivers from the Software Disc.
Your network system causes this problem.	Ask the administrator of the network for assistance.

Note:

For the additional driver to be installed, please see the table below.

Server OS	Client OS	Additional Driver
Windows XP*	Windows XP clients	Intel Windows 2000 or XP
	Windows XP x64 clients	x64 Windows XP
Windows XP x64, Server 2003, or Server 2003 x64*	Windows XP clients	Windows XP and Windows Server 2003
	Windows XP x64 clients	x64 Windows XP and Windows Server 2003

Server OS	Client OS	Additional Driver
Windows 8, 8 x64, 7, Vista, Vista x64, Server 2012 x64, Server 2008, Server 2008 x64, or Server 2008 R2	Windows 8, 7, Vista, or XP clients	x86 Type 3 - User Mode
	Windows 8 x64, 7 x64, Vista x64, or XP x64 clients	x64 Type 3 - User Mode

* The additional driver for Windows XP x64 and Server 2003 x64 can be used on Windows XP Service Pack 2, Windows 2003 Service Pack 1, or later.

Printout Problems

The font cannot be printed

Cause	What to do
For Windows users, you may use the printer fonts substituted for specified TrueType fonts.	In the printer driver, choose the Print TrueType fonts as bitmap check box in the Extended Settings dialog box.
The selected font is not supported by your printer.	Make sure that you have installed the correct font. See the <i>Font Guide</i> for more information.

Printout is garbled

Cause	What to do
The interface cable may not be plugged in securely.	Make sure that both ends of the interface cable are plugged in securely.
You may not be using the correct interface cable.	If you are using the parallel interface, make sure that the cable is a double-shielded, twisted-pair interface cable no more than six feet in length. If you are using the USB interface, use a cable that is compatible with Hi-Speed USB.
The emulation setting for the port may not be correct.	Specify the emulation mode by using the printer's control panel menus. See "Emulation Menu" on page 66.

Note:

If a configuration status sheet does not print correctly, your printer may be damaged. Contact your dealer or a qualified service representative.

The printout position is not correct

Cause	What to do
The page length and margins may be set incorrectly in your application.	Make sure that you are using the correct page length and margin settings in your application.
The paper size setting may be incorrect.	Make sure the correct paper size is set in the Tray Menu on the control panel.
The MP Tray Size setting may be incorrect.	When loading paper for which the size is not specified with Auto setting, specify the correct paper size by the tray paper size switch or on the MP Tray Size setting in the Tray Menu on the control panel.
The offset values may be changed in the Printer Adjust Menu.	Confirm and adjust the offset values such as Feed Offset or Scan Offset. See "Printer Adjust Menu" on page 89 for details.

Graphics do not print correctly

Cause	What to do
The printer emulation setting in your application may be incorrect.	Make sure that your application is set for the printer emulation you are using. For example, if you are using the ESC/Page mode, make sure that your application is set to use an ESC/Page printer.
You may need more memory.	Graphics require large amounts of memory. Install an appropriate memory module. See "Memory Module" on page 116.

Print Quality Problems

The background is dark or dirty

Cause	What to do
You may not be using the correct type of paper for your printer.	If the surface of your paper is too rough, printed characters may appear distorted or broken. Smooth, high-quality copier paper is recommended for best results. See "Available paper types" on page 197 for information on choosing paper.
The paper path inside the printer may be dusty.	Clean internal printer components by printing three pages with only one character per page.

Cause	What to do
The Density setting may be too dark.	In the printer driver, click Extended Settings on the Optional Settings tab, and then lighten the Density setting. If the Density setting in the Printing Menu is set to 5, change it back to 3.
There may be a temporary problem with the toner or developer.	Try to perform Dev Refresh or Toner Refresh in the Printer Adjust Menu. Note that Toner Refresh consumes the toner. See "Printer Adjust Menu" on page 89 for details.

Dots appear in the printout

Cause	What to do
The paper path inside the printer may be dusty.	Clean internal printer components by printing three pages with only one character per page.
Your paper may be moist or damp.	Do not store paper in a humid or damp environment. Be sure to use paper that is newly unwrapped.
The paper type setting may not be appropriate for the loaded paper.	Set the appropriate paper type in the printer driver. Adjust the TR settings in the Printer Adjust Menu. See "Printer Adjust Menu" on page 89 for details.
The printer may be being used in a location at a high altitudes.	Adjust the Highland setting in the Printer Adjust Menu. See "Printer Adjust Menu" on page 89 for details.
There may be a temporary problem with the toner or developer.	Try to perform Dev Refresh or Toner Refresh in the Printer Adjust Menu. Note that Toner Refresh consumes the toner. See "Printer Adjust Menu" on page 89 for details.
The transfer roller may be dusty.	Perform BTR Cleaning in the Printer Adjust Menu. See "Printer Adjust Menu" on page 89 for details.
The photoconductor unit may be near the end of its service life.	Replace the photoconductor unit. See "Replacing Consumable Products/Maintenance Parts" on page 124.

Print quality or tone is uneven

Cause	What to do
Your paper may be moist or damp.	Do not store paper in a humid or damp environment.

Cause	What to do
The paper type setting may not be appropriate for the loaded paper.	Set the appropriate paper type in the printer driver.
	Adjust the TR settings in the Printer Adjust Menu. See "Printer Adjust Menu" on page 89 for details.
There may be a temporary problem with the toner or developer.	Try to perform Dev Refresh or Toner Refresh in the Printer Adjust Menu. Note that Toner Refresh consumes the toner. See "Printer Adjust Menu" on page 89 for details.
The toner cartridge may be near the end of its service life.	If the message on the LCD panel or in EPSON Status Monitor indicates that the toner cartridge is near the end of its service life, replace the toner cartridge. See "Replacing Consumable Products/Maintenance Parts" on page 124. For Windows users, you can also check the remaining service life of the toner cartridge by looking at the Basic Settings tab in the printer driver.
There may be a problem with the photoconductor unit.	Replace the photoconductor unit. See "Replacing Consumable Products/Maintenance Parts" on page 124.

Half-tone images print unevenly

Cause	What to do
Your paper may be moist or damp.	Do not store paper in a humid or damp environment. Be sure to use paper that is newly unwrapped.
The gradation setting is too small when printing graphics.	For Windows users, on the Basic Settings tab in the printer driver, click the Advanced tab and select the More Settings button. Then select the Halftoning .
The paper type setting may not be appropriate for the loaded paper.	Set the appropriate paper type in the printer driver.
	Adjust the TR settings in the Printer Adjust Menu. See "Printer Adjust Menu" on page 89 for details.
The toner cartridge may be near the end of its service life.	If the message on the LCD panel or in EPSON Status Monitor indicates that the toner cartridge is near the end of its service life, replace the toner cartridge. See "Replacing Consumable Products/Maintenance Parts" on page 124. For Windows users, you can also check the remaining service life of the toner cartridge by looking at the Basic Settings tab in the printer driver.
There may be a problem with the toner cartridge.	Replace the toner cartridge. See "Replacing Consumable Products/Maintenance Parts" on page 124.

Cause	What to do
There may be a problem with the photoconductor unit.	Replace the photoconductor unit. See "Replacing Consumable Products/Maintenance Parts" on page 124.

Toner smudges

Cause	What to do
Your paper may be moist or damp.	Do not store your paper in a humid or damp environment.
You may not be using the correct type of paper for your printer.	Smooth, high-quality copier paper is recommended for best results. See "Available paper types" on page 197 for information on choosing paper.
The paper path inside the printer may be dusty.	Clean internal printer components by printing three pages with only one character per page.
There may be a problem with the toner cartridge.	Replace the toner cartridge. See "Replacing Consumable Products/Maintenance Parts" on page 124.
The Highland setting may not be set correctly for printing in a location at a high altitude.	Select the appropriate value in Highland of the Printer Adjust Menu. See "Printer Adjust Menu" on page 89 for details.
The photoconductor unit may be near the end of its service life.	Replace the photoconductor unit. See "Replacing Consumable Products/Maintenance Parts" on page 124.

Areas are missing in the printed image

Cause	What to do
Your paper may be moist or damp.	This printer is sensitive to moisture absorbed by the paper. The higher the moisture content in the paper, the lighter the printout. Do not store paper in a humid or damp environment.
You may not be using the correct type of paper for your printer.	If the surface of your paper is too rough, printed characters may appear distorted or broken. Smooth, high-quality copier paper is recommended for best results. See "Available paper types" on page 197 for information on choosing paper.

Completely blank pages are output

Cause	What to do
The printer may have loaded more than one sheet at a time.	Remove the paper stack and fan it. Tap it on a flat surface to even the edges, then reload the paper.
The problem may be with your application or interface cable.	Print out a configuration status sheet. See "Printing a Configuration Status Sheet" on page 151. If a blank page is ejected, the problem may be with the printer. Turn off the printer and contact your dealer.
The paper size setting may be incorrect.	Make sure the correct paper size is set in the Tray Menu on the control panel.
The MP Tray Size setting may be incorrect.	When loading paper for which the size is not specified with Auto setting, specify the correct paper size on the MP Tray Size setting in the Tray Menu on the control panel.
The toner cartridge may be near the end of its service life.	<p>If the message on the LCD panel or in EPSON Status Monitor indicates that the toner cartridge is near the end of its service life, replace the toner cartridge. See "Replacing Consumable Products/Maintenance Parts" on page 124.</p> <p>For Windows users, you can also check the remaining service life of the toner cartridge by looking at the Basic Settings tab in the printer driver.</p>
There may be a problem with the photoconductor unit.	Replace the photoconductor unit. See "Replacing Consumable Products/Maintenance Parts" on page 124.

Printouts are extremely curled

Cause	What to do
Your paper may be moist or damp.	Do not store your paper in a humid or damp environment.
The printouts are curled because of heat and pressure of the fuser unit.	Turn the paper over or load a different type of paper
The paper type setting may not be appropriate for the loaded paper.	Set the appropriate paper type in the printer driver.
	Set the value for the used paper type in the Printer Adjust Menu to 0. See "Printer Adjust Menu" on page 89 for detail.
The fixing temperature may not be appropriate.	Try to lower the temperature by the Temp settings in the Printer Adjust Menu . However, do this at your risk, as lowering the temperature too far may prevent normal fixing. See "Printer Adjust Menu" on page 89 for details.

The printed image is light or faint

Cause	What to do
Your paper may be moist or damp.	Do not store your paper in a humid or damp environment.
Cover B may not be closed securely.	Open cover B, hold both ends of it, and then close again.
The Toner Save mode may be on.	Turn off the Toner Save mode using the printer driver or the printer's control panel menus. For Windows users, on the Basic Settings tab in the printer driver, click Advanced and select the More Settings button. Then deselect the Toner Save check box.
The Density setting may be too light. (Only when ESC/Page(-Color) mode is being used)	In the printer driver, click Extended Settings on the Optional Settings tab, and then darken the Density setting.
The Density setting may be set too light in the Printing Menu.	Increase the value within the setting range (1 to 5) of Density. See "Printing Menu" on page 66 for detail.
The paper type setting may not be appropriate for the loaded paper.	Set the appropriate paper type in the printer driver.
	Adjust the TR settings in the Printer Adjust Menu. See "Printer Adjust Menu" on page 89 for details.
There may be a temporary problem with the toner or developer.	Try to perform Dev Refresh or Toner Refresh in the Printer Adjust Menu. Note that Toner Refresh consumes the toner. See "Printer Adjust Menu" on page 89 for details.
The toner cartridge may be near the end of its service life.	If the message on the LCD panel or in EPSON Status Monitor indicates that the toner cartridge is near the end of its service life, replace the toner cartridge. See "Replacing Consumable Products/Maintenance Parts" on page 124. For Windows users, you can also check the remaining service life of the toner cartridge by looking at the Basic Settings tab in the printer driver.
There may be a problem with the photoconductor unit.	Replace the photoconductor unit. See "Replacing Consumable Products/Maintenance Parts" on page 124.

The non-printed side of the page is dirty

Cause	What to do
Toner may have spilled onto the paper feed path.	Clean internal printer components by printing three pages with only one character per page.
Printing was made right after the paper jam.	Make a few one-sided printouts.

Cause	What to do
The transfer roller may be dusty.	Perform BTR Cleanings in the Printer Adjust Menu . See "Printer Adjust Menu" on page 89 for details.
The fixing temperature may not be appropriate.	Try to lower the temperature by adjusting the Temp settings in the Printer Adjust Menu . However, do this at your risk, as lowering the temperature too far may prevent normal fixing. See "Printer Adjust Menu" on page 89 for details.

Print quality decreased

Cause	What to do
The printer cannot print in the required quality level because of insufficient memory, and the printer lowers the quality automatically so that the printer can continue printing.	<p>Check to see if the printout is acceptable. If not, add more memory for a permanent solution or lower print quality temporarily in the printer driver.</p> <p>If RAM Disk is set to Maximum or Normal on the control panel, you can increase the available memory space by changing this setting to Off.</p>

Memory Problems

Insufficient memory for current task

Cause	What to do
The printer has insufficient memory for current task.	<p>Reduce the contents of print jobs, or increase the available memory on your printer. You can increase the available memory by installing an optional memory module. See "Installing a memory module" on page 116 for details.</p> <p>When RAM Disk is set to Maximum or Normal on the control panel, you can increase the available memory space by changing this setting to Off.</p>

Insufficient memory to print all copies

Cause	What to do
The printer does not have sufficient memory to collate print jobs.	<p>Reduce the contents of print jobs, or increase the available memory on your printer. You can increase the available memory by installing an optional memory module. See "Installing a memory module" on page 116 for details.</p> <p>When RAM Disk is set to Maximum or Normal on the control panel, you can increase the available memory space by changing this setting to Off.</p>

Paper Handling Problems

Paper does not feed properly

Cause	What to do
The paper guides are not set correctly.	Make sure that the paper guides in all the paper cassettes and the MP tray are set to the correct paper size positions.
The paper source setting may not be correct.	Make sure that you have selected the correct paper source in your application.
There may be no paper in the paper source.	Load paper into the selected paper source.
The size of loaded paper differs from the control panel or printer driver settings.	Make sure that the correct paper size and paper source are set in the control panel or printer driver.
Too many sheets may be loaded in the MP tray or paper cassettes.	Make sure that you have not tried to load too many sheets of paper. For the maximum paper capacity for each paper source, see "General" on page 199 (for AL-M300 Series) or "General" on page 207 (for AL-M400 Series).
If paper does not feed from the optional paper cassette unit, the unit may not be installed properly.	For instructions on installing the unit, see "Optional Paper Cassette Unit" on page 111.
The pickup roller is dirty.	Clean up the pickup roller. For instructions, see "Cleaning the pickup roller" on page 127.
<p>The extra-thick paper that is loaded may have the following problems:</p> <ul style="list-style-type: none"> - The paper is too stiff - The paper is too smooth - The paper is curled 	<p>Feed a paper from the standard paper cassette.</p> <p>When the paper is 279 mm or longer vertically, set 2 in the Special setting of the Printer Adjust Menu, set the Paper Type setting to Special in the printer driver, then try to print again. See "Printer Adjust Menu" on page 89 for details.</p>

The printout was on the wrong side of the paper when I did duplex printing.

Cause	What to do
<p>In duplex printing mode, the back side of the paper is printed first. However, if <code>Convert to Simplex</code> is set to <code>On</code>, and a job has an odd number of pages, the last page is printed on the front side of the paper.</p> <p>For single page jobs, printing is done on the front side of the paper whether <code>Convert to Simplex</code> is set to <code>On</code> or <code>1 Page</code>.</p>	<p>For jobs with three or more pages, set <code>Convert to Simplex</code> to <code>Off</code> or <code>1 Page</code> to do duplex printing.</p> <p>For jobs with just one page, set <code>Convert to Simplex</code> to <code>Off</code> to do duplex printing.</p>

Problems Using Options

To confirm your options are installed correctly, print a configuration status sheet. See “Printing a Configuration Status Sheet” on page 151 for details.

Paper does not feed from the optional paper cassette

Cause	What to do
The paper guides are not set correctly.	Make sure that the paper guides in the optional paper cassettes are set to the correct paper size positions.
The optional paper cassette may not be installed properly.	See “Optional Paper Cassette Unit” on page 111 for instructions on installing an optional paper cassette unit.
The paper source setting may not be correct.	Make sure you have selected the proper paper source in your application.
There may be no paper in the paper cassette.	Load paper into the selected paper source.
Too many sheets may be loaded in the paper cassette.	Make sure that you have not tried to load too many sheets of paper. For the maximum paper capacity for each paper source, see “General” on page 199 (for AL-M300 Series) or “General” on page 207 (for AL-M400 Series).
The paper size is not set correctly.	Make sure to set the paper guides in the optional paper cassette correctly.

An installed option cannot be used

Cause	What to do
The installed option is not defined in the printer driver.	For Windows users: You have to make settings manually in the printer driver. See "Making Optional Settings" on page 170.

The optional product is not available

Cause	What to do
The printer does not recognize the optional product.	Print a configuration status sheet to see if the printer recognizes the optional product. If not, reinstall the optional product.
The setting for recognizing options may be set manually.	See "Making Optional Settings" on page 170 to set the printer driver to automatically update information about options.

Correcting USB Problems

If you are having difficulty using printer with a USB connection, see if your problem is listed below, and take any recommended actions.

USB connections

USB cables or connections can sometimes be the source of USB problems.

For best results, you should connect the printer directly to the computer's USB port. If you must use multiple USB hubs, we recommend that you connect the printer to the first-tier hub.

Windows operating system

Your computer must have one of the operating systems supported by this printer pre-installed, or be a model upgraded from Windows XP, Vista, 7, 8, Server 2003, Server 2008, or Server 2012 to an operating system supported by this printer. You must not be able to install or run the USB printer driver on a computer that does not meet these specifications or that is not equipped with a built-in USB port.

For details about your computer, contact your dealer.

Printer software installation

Incorrect or incomplete software installation can lead to USB problems. Take note of the following and perform the recommended checks to ensure proper installation.

Checking printer software installation

When using Windows, you must follow the steps in the *Setup Guide* packed with the printer to install the printer software. Otherwise, Microsoft's Universal driver may be installed instead. To check if the Universal driver has been installed, follow the steps below.

1. Open the **View devices and printers** (for Windows 8 or Server 2012), **Devices and Printers** (for Windows 7), **Printer** (Windows Vista or Server 2008), or **Printers and Faxes** (for Windows XP or Server 2003) folder, then right-click the icon of your printer.
2. Click **Printing Preferences** ("**Printing preferences**" for Windows 8, 7 or Server 2012) on the shortcut menu that appears, then right-click anywhere in the driver.

If **About** is displayed in the shortcut menu that appears, click it. If a message box with the words "Unidrv Printer Driver" appears, you must reinstall the printer software as described in the *Setup Guide*. If About is not displayed, the printer software has been installed correctly.

Note:

*For Windows Vista, Vista x64, XP, XP x64, Server 2003, or Server 2003 x64, if the software installation dialog box appears during the installation process, click **Continue Anyway**. If you click **STOP Installation**, you will have to install the printer software again.*

Status and Error Messages

You can see the printer's status and error messages on the LCD panel. For more information, see "Status and Error Messages" on page 94.

Canceling Printing

To cancel a print job on the printer's control panel, see "Canceling Printing" on page 109.

To cancel a print job before it is sent from your computer, see “Cancelling a Print Job” on page 41.

Printing in the PostScript 3 Mode Problems

The problems listed in this section are those that you may encounter when printing with the PostScript driver. All procedural instructions refer to the PostScript printer driver.

The printer does not print correctly in the PostScript mode

Cause	What to do
The printer's emulation mode setting is incorrect.	The printer is set to the <code>Auto</code> mode by default, so that it can automatically determine the encoding used in the received print job data and select the appropriate emulation mode. However, there are situations where the printer cannot select the correct emulation mode. In this case, it must be set manually to <code>PS3</code> . Set the emulation mode through the <code>SelectTypeEmulation Menu</code> on the printer. See “Emulation Menu” on page 66.
The printer's emulation mode setting for the interface that you are using is incorrect.	The emulation mode can be set individually for each interface which receives print job data. Set the emulation mode for the interface you are using to <code>PS3</code> . Set the emulation mode through the <code>SelectTypeEmulation Menu</code> on the printer. See “Emulation Menu” on page 66.

The printer does not print

Cause	What to do
An incorrect printer driver is selected.	Make sure that the PostScript printer driver that you are using to print is selected.
The <code>Emulation Menu</code> in the printer's <code>Control Panel</code> is set to a mode other than <code>Auto</code> or <code>PS3</code> for the interface that you are using.	Change the mode setting to either <code>Auto</code> or <code>PS3</code> .

The printer or its driver does not appear in utilities in the printer configuration (Mac OS only)

Cause	What to do
The printer name has been changed.	Ask the network administrator for details, then select the appropriate printer name.

The font on the printout is different from that on the screen

Cause	What to do
The PostScript screen fonts are not installed.	The PostScript screen fonts must be installed on the computer that you are using. Otherwise, the font that you select is substituted by some other font for display on the screen.
For Windows users only The appropriate substitution fonts are not correctly specified on the Device Settings tab of the printer's Properties dialog box.	Specify the appropriate substitution fonts using the Font Substitution Table.

The printer fonts cannot be installed

Cause	What to do
The Emulation Menu in the printer's Control Panel is not set to P _S 3 for the interface that you are using.	Change the Emulation Menu setting to P _S 3 for the interface that you are using, then try reinstalling the printer fonts again.

The edges of texts and/or images are not smooth

Cause	What to do
The Print Quality is set to Fast .	Change the Print Quality setting to Fine .

The printer does not print normally via the USB interface

Cause	What to do
<p>For Windows users only</p> <p>The Data Format setting in the printer's Properties is not set to ASCII or TBCP.</p>	<p>The printer cannot print binary data when it is connected to the computer via the USB interface. Make sure that the Data Format setting, which is accessed by clicking Advanced on the PostScript sheet of the printer's Properties, is set to ASCII or TBCP.</p> <p>If your computer is running Windows Vista, Vista x64, XP, XP x64, click the Device Settings tab in the printer's Properties, then click the Output Protocol setting and select ASCII or TBCP.</p>
<p>For Mac OS users only</p> <p>The print setting in the application is set to binary encoding.</p>	<p>The printer cannot print binary data when it is connected to the computer via the USB interface. Make sure that the print setting in the application is set to ASCII encoding.</p>

The printer does not print normally via the network interface

Cause	What to do
<p>For Windows users only</p> <p>The Data Format setting is different from the data format setting specified in the application.</p>	<p>If the file is created in an application that allows you to change the data format or encoding, such as Photoshop, make sure that the setting in the application matches that in the printer driver.</p>
<p>For Windows users only</p> <p>The print data is too large.</p>	<p>Click Advanced on the PostScript sheet of the printer's Properties, then change the Data Format setting from ASCII data (default) to TBCP (Tagged binary communications protocol).</p> <p>When the Binary setting is set to On, TBCP is not available. Use the Binary protocol. See "PS3 Menu" on page 79 for details.</p>
<p>For Windows users only</p> <p>Printing cannot be performed using the network interface.</p>	<p>Click Advanced on the PostScript sheet of the printer's Properties, then change the Data Format setting from ASCII data (default) to TBCP (Tagged binary communications protocol).</p> <p>When the Binary setting is set to On, TBCP is not available. Use the Binary protocol. See "PS3 Menu" on page 79 for details.</p>

An undefined error occurs (Mac OS only)

Cause	What to do
<p>The version of the Mac OS that you are using is unsupported.</p>	<p>This printer's driver can only be used on Mac OS computers running Mac OS X version 10.5.8 or later.</p>

Chapter 8

About the Printer Software

Using the Printer Software for Windows

Using the printer driver

The printer driver is the software that allows you to adjust printer settings to get the best results.

Note:

The printer driver's online help provides details on printer driver settings.

Note for Windows Vista users:

Do not press the power button or put your computer to standby or hibernate mode manually during printing.

Accessing the printer driver

You can access the printer driver directly from any application programs, and from your Windows operating system.

The printer settings made from any Windows applications override the setting made from the operating system.

From the application

Click **Print**, **Print Setup**, or **Page Setup** from the File menu. As necessary, click **Setup**, **Options**, **Properties**, or a combination of these buttons.

Windows 8/Windows Server 2012 users

Right-click the bottom left corner of the screen in the desktop style, select **Control Panel**. Then click **View devices and printers**, right-click the printer, and select **Printing preferences**.


Note:

*To display the control panel without a mouse in the modern UI style, swipe the right edge of the screen to left, and select **Settings** in the charm bar menu.*

Windows 7 users

Click the start button, select **Devices and Printers**. Then right-click the printer and select **Printing preferences**.

Windows Vista, Server 2008 users

Click  **Start**, click **Control Panel**, then double-click **Printers**. Right-click your printer's icon, then click **Printing Preferences**.

Windows XP, Server 2003 users

Click **Start**, click **Printers and Faxes**. Right-click your printer's icon, then click **Printing Preferences**.

Printing a configuration status sheet

To confirm the current status of the printer, print a status sheet from the printer driver.

Note:

Print the configuration status sheet on A4 size paper (Landscape.)

1. Access the printer driver.
2. Click the **Optional Settings** tab and then click **Configuration** in Print Status Sheets.

Making Extended Settings

You can make various settings in the Extended Settings dialog box. To open the dialog box, click **Extended Settings** on the Optional Settings tab.

Making Optional Settings

The printer driver can update the installed option information automatically by clicking **Acquire from Printer**.

1. Access the printer driver.
2. Click the **Optional Settings** tab, then click **Manual Settings**.
3. The Optional Settings dialog box appears.
4. Make settings for each installed option, then click **OK**.

Displaying consumable product information

The remaining service life of the consumable products is displayed on the Basic Settings tab.

Note:

- ❑ *This function is available only when EPSON Status Monitor is installed.*
- ❑ *This information might be different from the information displayed in EPSON Status Monitor. Use EPSON Status Monitor to get more detailed information about consumable products.*
- ❑ *If the genuine consumable products are not used, the level indicator and the alert icon showing the remaining service life are not displayed.*

Ordering consumable products and maintenance parts

Click the **Order Online** button on the Basic Settings tab. See “Order Online” on page 177 for details.

Note:

This function is available only when EPSON Status Monitor is installed.


Using EPSON Status Monitor

EPSON Status Monitor is a utility program that monitors your printer and gives you information about its current status.

Installing EPSON Status Monitor

1. Make sure that the printer is off and that Windows is running on your computer.
2. Insert the Software Disc in the CD/DVD drive.

Note:

*If the Epson Install Navi screen does not appear automatically, right-click on the blank space in the modern UI style, click **All apps** appearing on the right-bottom corner of the screen, then click **Computer** (for Windows 8 or Server 2012), click  **Start**, then click **Computer** (for Windows 7, Vista or Server 2008) or click the **My Computer** icon on the desktop (for Windows XP or Server 2003). Right-click the CD/DVD drive icon, click **Open** in the menu that appears, then double-click **InstallNavi.exe**.*

3. Read the license agreement statement, click the check box in the screen, then click **Next**.
4. When the **Select the product** screen appears, select the product, and then click **Next**.

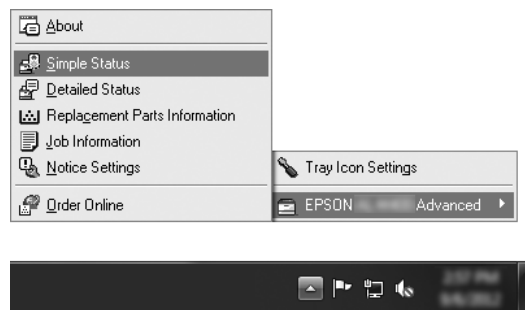
5. Make sure that the **Epson Status Monitor** check box is selected, and then click **Install**.
6. When the installation is complete, click **Cancel**.

Note:

If you want to use the printer via the print server, you have to install EPSON Status Monitor from the Software Disc with administrator privileges in each client.

Accessing EPSON Status Monitor

Click the EPSON Status Monitor tray icon on the taskbar, then select the printer name and menu you want to access.

**Note:**

- You can also access EPSON Status Monitor by clicking the **Simple Status** button on the *Optional Settings* tab on the printer driver.
- The *Order Online* dialog box also appears by clicking the **Order Online** button on the *Basic Settings* tab in the printer driver.

About	You can obtain information about EPSON Status Monitor such as product versions or interface versions.
Simple Status	You can check printer status, errors, and warnings.
Detailed Status*	You can monitor detailed printer status. When a problem occurs, the most probable solution is displayed. See "Detailed Status" on page 173.
Replacement Parts Information*	You can obtain information on paper sources and replacement parts. See "Replacement Parts Information" on page 173.
Job Information*	You can check print job information. See "Job Information" on page 174.
Notice Settings	You can make specific monitoring settings. See "Notice Settings" on page 176.

Order Online	You can order consumable products and maintenance parts online. See “Order Online” on page 177.
Tray Icon Settings	You can set the information to display when the Tray icon is double-clicked while there are no jobs sent from the computer.

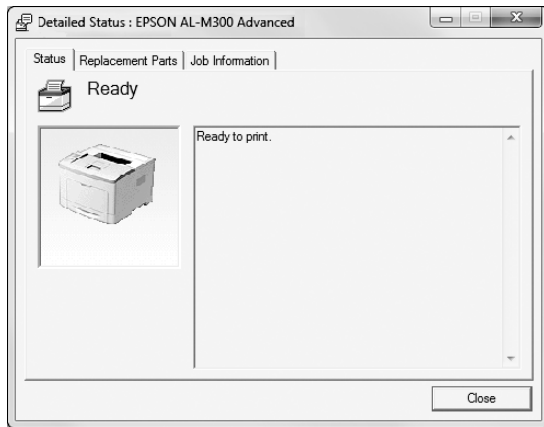
* You can also access any of the menus by clicking the appropriate tab on each information window.

Note for Windows XP users:

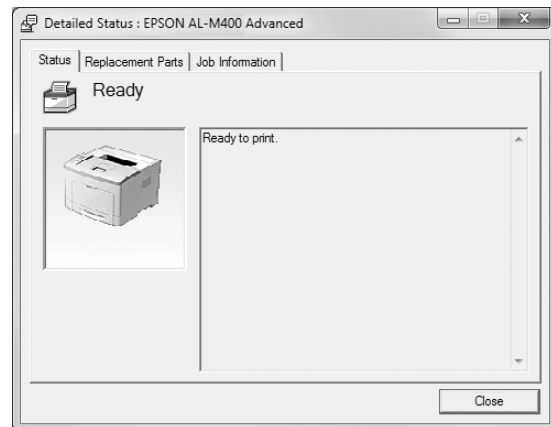
EPSON Status Monitor is not available when printing from a Remote Desktop connection.

Detailed Status

AL-M300 Series

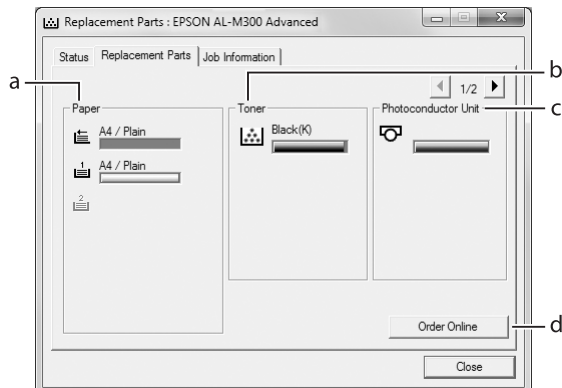


AL-M400 Series

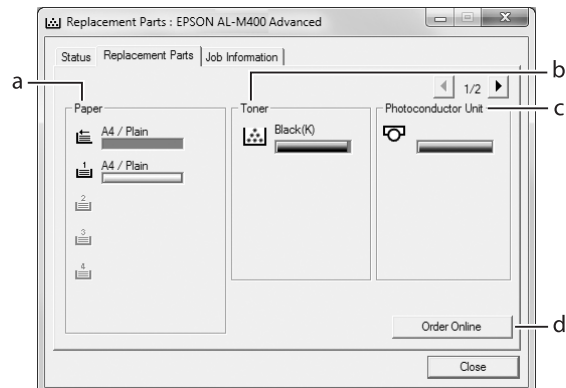


Replacement Parts Information



AL-M300 Series



AL-M400 Series



Note:

To change the two windows above, click  or .

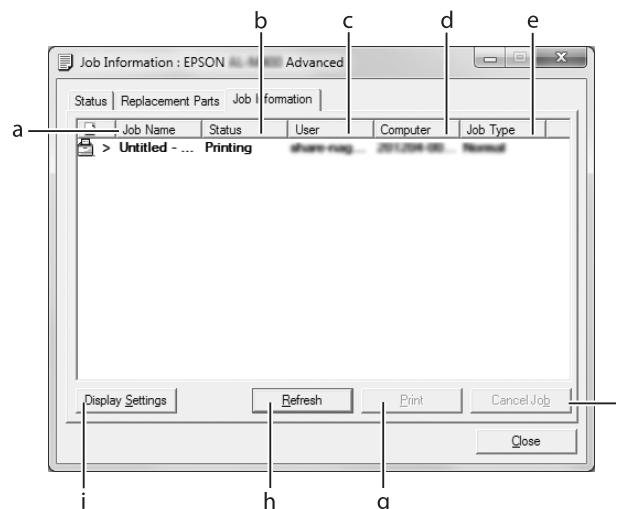
a.	Paper:	Displays the paper size, the paper type and the approximate amount of paper remaining in the paper source.
b.	Toner:	Indicates the remaining service life of the toner cartridge. The toner icon flashes when the toner cartridge has some error or has neared the end of its service life.
c.	Photoconductor Unit:	Indicates the remaining service life of the photoconductor unit. The photoconductor unit icon flashes when the photoconductor unit has some error or has neared the end of its service life.
d.	Order Online button:	Clicking this button enables you to order consumable products and maintenance parts online. See "Order Online" on page 177 for details.
e.	Fuser Unit* ¹ :	Indicates the remaining service life of the fuser unit. The service icon flashes when the fuser unit has some error or has neared the end of its service life.
f.	Maintenance Unit* ² :	Indicates the remaining service life of the maintenance unit. The service icon flashes when the maintenance unit has some error or has neared the end of its service life.

*¹ Available only for AL-M300 Series.

*² Available only for AL-M400 Series.

Note:

The remaining service lives of the replacement parts are displayed only if genuine Epson parts are used.

Job Information

a.	Job Name:	Displays the user's print job names. Other user's print jobs are displayed as -----.
----	-----------	--

b.	Status:	Waiting:	Indicates the print job is waiting to be printed.
		Spooling:	Indicates the print job is being spooled on your computer.
		Deleting:	Indicates the print job is being deleted.
		Printing:	Indicates the print job is printed currently.
		Completed:	Indicates the print job have finished.
		Canceled:	Indicates the print job have been canceled.
		Held:	Indicates the print job is on hold.
c.	User:	Displays the user name.	
d.	Computer:	Displays the name of the computer that sent the print job.	
e.	Job Type:	Displays the job type. About the Reserve Job function, see "Using the Reserve Job Function" on page 57.	
f.	Cancel Job button:	Cancels the selected print job.	
g.	Print button:	Prints the held status job.	
h.	Refresh button:	Refreshes the information on this menu.	
i.	Display Settings button:	Displays the Display Settings dialog box to select items and the order they are displayed on the Job Information screen and to select the type of jobs to be displayed.	

Note for Windows XP users:

Shared Windows XP LPR connections and shared Windows XP Standard TCP/IP connections with Windows clients do not support the Job Management function.

The **Job Information** tab is available when the following connections are used:

Server and Client Environments:

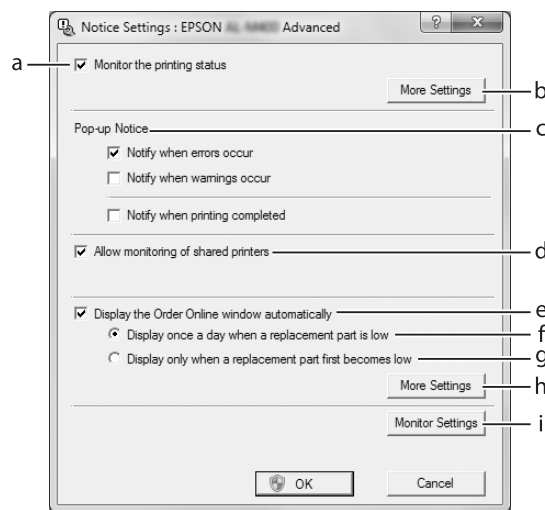
- When using the shared Windows Server 2012 x64, Server 2008, Server 2008 x64, Server 2003, or Server 2003 x64 LPR connection with Windows 8, 8 x64, Vista, Vista x64, XP, or XP x64 clients.
- When using the shared Windows 8, 8 x64, Vista, Vista x64, Sever 2012 x64, Server 2008, Server 2008 x64, Server 2003, or Server 2003 x64 Standard TCP/IP connection with Windows 8, 8 x64, Vista, Vista x64, XP, or XP x64.
- When using the shared Windows 8, 8 x64, Vista, Vista x64, Server 2012 x64, Server 2008, Server 2008 x64, Server 2003, or Server 2003 x64 EpsonNet Print TCP/IP connection with Windows 8, 8 x64, Vista, Vista x64, XP, or XP x64 clients.

Client only Environments:

- When using the LPR connection (in Windows 8, 7, Vista, Vista x64, XP, or XP x64).
- When using the Standard TCP/IP connection (in Windows 8, 7, Vista, Vista x64, XP, or XP x64).
- When using the EpsonNet Print TCP/IP connection (in Windows 8, 7, Vista, Vista x64, XP, or XP x64).

Note:

If the user account used to log on to a client is different from the user account used to connect to the server, the job management function is not available.

Notice Settings

a.	Monitor the printing status check box:	When this check box is selected, EPSON Status Monitor monitors the printer status during a print job is processed.
b.	More Settings button:	Opens the More Settings dialog box to set how to display the tray icon.
c.	Pop-up Notice:	Sets the notification to be displayed.
d.	Allow monitoring of shared printers check box:	<p>When this check box is selected, a shared printer can be monitored by other computers.</p> <p>If you connect the printer via a server with Windows Point & Print and the server and the client are both Windows XP or later, it communicates with the OS communication function. Therefore you can monitor the printer without selecting this check box.</p>

e.	Display the Order Online window automatically check box:	When this check box is selected, the Order Online window appears automatically when a replacement part becomes low or reaches end of service life.
f.	Display once a day when a replacement part is low check box:	When this radio button is selected, the Order Online window appears automatically once a day when you start printing or display the status by accessing EPSON Status Monitor.
g.	Display only when a replacement part first becomes low check box:	When this radio box is selected, the Order Online window appears automatically only when a replacement part first becomes low.
h.	More Settings button:	Opens the More Settings dialog box in which you can set the URL for placing an order appears.
i.	Monitor Settings button:	Opens the Monitor Settings dialog box to set the monitoring interval.

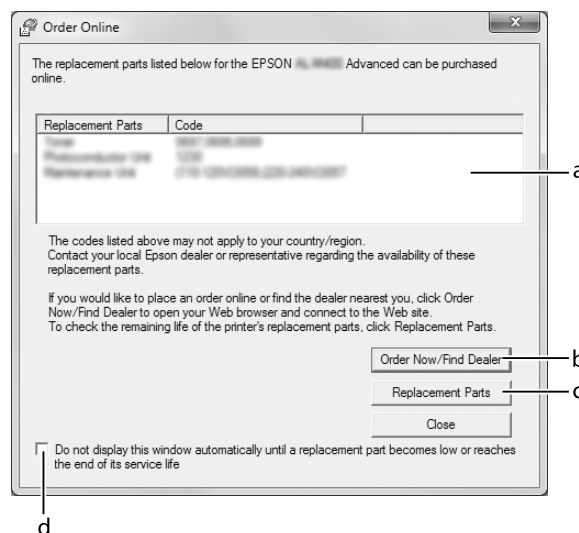
Note for Windows 8, 7 or Vista users:

When **Allow monitoring of shared printers** check box is selected, the User Account Control dialog box will appear. Then click **Yes** (for Windows 8, or 7) or **Continue** (for Windows Vista) to make the settings.

Note:

When sharing the printer, be sure to set EPSON Status Monitor so that the shared printer can be monitored on the print server.

Order Online



a.	Text box:	Displays the replacement parts and codes.
----	-----------	---

b.	Order Now/Find Dealer button:	Connects to the URL where you can place an order and find the dealer nearest you. If you do not want a confirmation message, select the Do not display the confirmation message before connecting check box in the More Settings dialog box. The More Settings dialog box appears by clicking the More Settings button in the Notice Settings dialog box.
c.	Replacement Parts button:	Displays the replacement parts information.
d.	Do not display this window automatically until a replacement part becomes low or reaches the end of its service life check box:	When this check box is selected, the Order Online window appears automatically only when a replacement part first becomes low or reaches end of service life.

Uninstalling the printer software

To uninstall the printer software, close all applications first, and then uninstall the printer software from the following menu on the Control Panel.

- Uninstall a Program** (for Windows 8, Server 2012)
- Program and Features** (for Windows 7, Vista, Server 2008)
- Change or Remove Programs** (for Windows XP or Server 2003)

Select the printer software that you want to uninstall, and then click the item below.

- Uninstall/Change** (for Windows 7, Vista, Server 2008)
- Change/Remove** (for Windows XP, Server 2003)

Note:

You can uninstall EPSON Network Utility by selecting EPSON Status Monitor from the menu. If you monitor more than one printer on the network using EPSON Status Monitor, and if you uninstall EPSON Network Utility, you cannot display any printer status from EPSON Status Monitor.

Sharing the printer on a network

This section describes how to share the printer on a standard Windows network.

The computers on a network can share a printer that is directly connected to one of them. The computer that is directly connected to the printer is the print server, and the other computers are the clients which need permission to share the printer with the print server. The clients share the printer via the print server.

The following operating systems can be used as print server and client operating systems:

Print Server OS	32 bit OS	Windows 8, 7, Vista, XP, Server 2008, Server 2003
	64 bit OS	Windows 8 x64, 7 x64, Vista x64, XP x64, Server 2012 x64, Server 2008 x64, Server 2003 x64
Client OS	32 bit OS	Windows 8, 7, Vista, XP
	64 bit OS	Windows 8 x64, 7 x64, Vista x64, XP x64

Note:



- ❑ *When sharing the printer, be sure to set EPSON Status Monitor so that the shared printer can be monitored on the print server. See “Notice Settings” on page 176.*
- ❑ *The print server and clients should be set on the same network system, and they should be under the same network management beforehand.*

Setting up the print server

Follow the steps below to set up a computer as a print server and install the additional drivers on the server. The additional drivers are required to print from client computers that have different operating systems from the server computer.

Note:

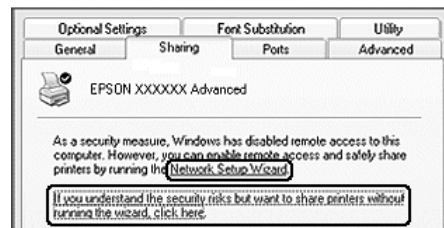
You must access Windows as the Administrators of the local machine.

1. For Windows 8, 8 x64, or Server 2012 x64, right-click the bottom left corner of the screen in the desktop style, and select **Control Panel**. Then click **View devices and printers**.
For Windows 7 or 7 x64, click  **Start** and select **Devices and Printers**.
For a Windows Vista, Vista x64, Server 2008, or Server 2008 x64 print server, click  **Start**, click **Control Panel**, then double-click **Printers**.
For a Windows XP, XP x64, Server 2003, or Server 2003 x64 print server, click **Start**, point to **Printers and Faxes**.
2. Right-click your printer's icon, click **Printer properties**, then click **Sharing** in the menu that appears.

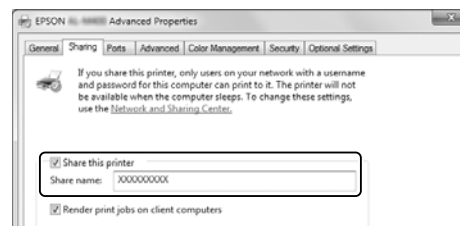
For Windows Vista, Vista x64, Server 2008, or Server 2008 x64, click **Change sharing options**, then click **Continue**.

For Windows XP, XP x64, Server 2003, or Server 2003 x64, if the following menu appears, click either **Network Setup Wizard** or **If you understand the security risks but want to share printers without running the wizard, click here**.

In either case, follow the on-screen instructions.



3. Select **Share this printer**, then type the name in the share name.



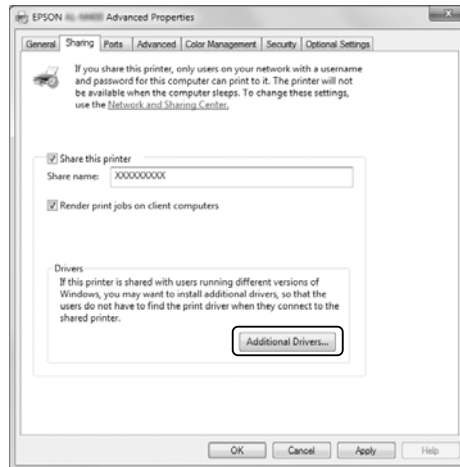
Note:

Do not use spaces or hyphens in the share name.

4. Click **Additional Drivers**.

Note:

If the computers of the server and clients use the same OS, you do not have to install the additional drivers. Just click **OK** after step3.



5. Select Windows being used for clients, then click **OK**.

Server OS	Client OS	Additional Driver
Windows XP*	Windows XP clients	Intel Windows 2000 or XP
	Windows XP x64 clients	x64 Windows XP
Windows XP x64, Server 2003, or Server 2003 x64*	Windows XP clients	Windows XP and Windows Server 2003
	Windows XP x64 clients	x64 Windows XP and Windows Server 2003

Server OS	Client OS	Additional Driver
Windows 8, 8 x64, 7, Vista, Vista x64, Server 2012 x64, Server 2008, Server 2008 x64, or Server 2008 R2	Windows 8, 7, Vista, or XP clients	x86 Type 3 - User Mode
	Windows 8 x64, 7 x64, Vista x64, or XP x64 clients	x64 Type 3 - User Mode

* The additional driver for Windows XP x64 and Server 2003 x64 can be used on Windows XP Service Pack 2, Windows 2003 Service Pack 1, or later.



Note:

The drivers checked in the Additional Drivers dialog box are pre-installed so that you do not need to reinstall them.

Setting up a client

This section describes how to set up a client computer by accessing the shared printer on a network.

Note:

- To share the printer on a Windows network, you need to set the print server. For details, see “Setting up the print server” on page 179.
- This section describes how to access the shared printer on a standard network system using the server (Microsoft workgroup). If you cannot access the shared printer due to the network system, ask the administrator of the network for assistance.
- This section describes how to install the printer driver by accessing the shared printer from the **Printers** folder.

- ❑ When you want to use EPSON Status Monitor at a client, you have to install EPSON Status Monitor from the Software Disc with administrator privileges in each client.
- ❑ If you want to monitor a shared printer with several users on a client computer, select the **Allow monitoring of shared printers** check box in **EPSON Status Monitor**.

Installing the printer driver using an additional driver

Follow the instructions below to install the printer driver on a client computer using an additional driver installed on the print server.

You can install the printer driver for the shared printer, if you have Power Users or more powerful access rights even if you are not the Administrator.

For Windows Vista or Vista x64, even if you are not an administrator or power user, you can install the printer driver by clicking **Continue** when the prompt to continue the installation appears.

Note:

The illustrations in this section show Windows 7 screens. They may be different from the screens for your operating system.

1. For Windows 8 or 8 x64 clients, right-click the bottom left corner of the screen in the desktop style, select **Control Panel**. Then click **View devices and printers**.

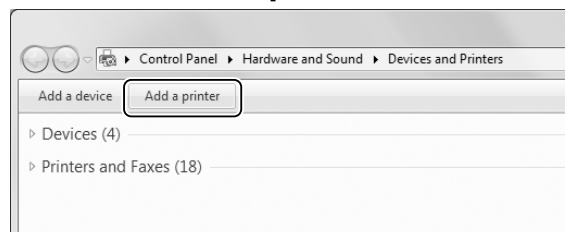
For Windows 7 or 7 x64 clients, click  **Start**, then select **Device and Printers**.

For Windows Vista or Vista x64 clients, click  **Start**, click **Control Panel**, then double-click **Printers**.

For Windows XP or XP x64 clients, click **Start**, point to **Printers and Faxes**.

2. For Windows 8, 8 x64, 7, 7 x64, Vista or Vista x64, click **Add a printer** in the menu bar.

For Windows XP or XP x64, click **Add a printer** in the Printer Tasks menu.

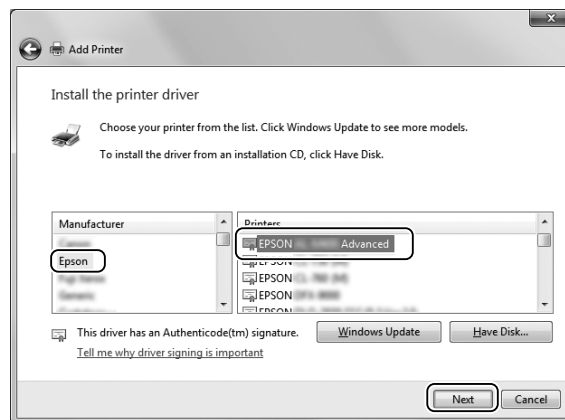


- For Windows 8 or 8 x64, if the shared printer is found automatically, click the printer name and **Next**, then go to the next step. If not, click **The printer that I want isn't listed**, then go to step 6.

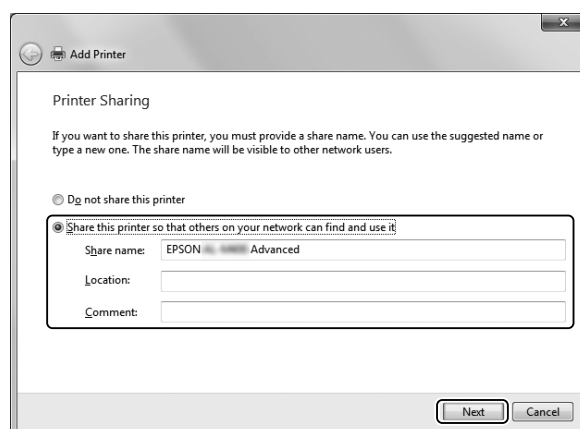
For Windows 7, 7 x64, Vista or Vista x64, click **Add a network, wireless or Bluetooth printer**. If the shared printer is found automatically, click the printer name and **Next**, then go to the next step. If not, click **Stop** and click **The printer that I want isn't listed**, then go to step 6.

For Windows XP or XP x64, select **A network printer, or a printer attached to another computer**, click **Next**, then go to step 6.

- Select **EPSON** in the **Manufacturer**, and your printer in the **Printers**, then click **Next**.

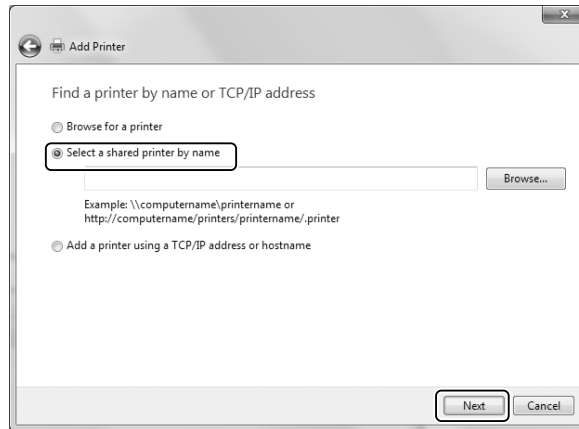


- When **Printer Sharing** dialog appears, enter the printer sharing information such as **Share name** or **Location**, then click **Next**.



- For Windows 8 or 8 x64, 7, 7 x64, select **Select a shared printer by name**, and click **Next**.

For Windows Vista, Vista x64, XP, or XP x64, click **Browse for a printer**, then click **Next**.

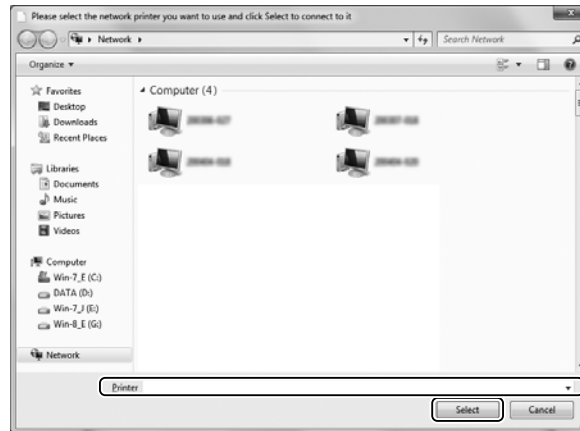


Note:

- You can also type “\\(the name of the computer that is locally connected to the shared printer)\(the shared printer’s name)” in network path or queue name.
 - You do not necessarily need to type the name of the shared printer.
7. For Windows 8, 8 x64, 7 or 7 x64, enter the host name of the computer or server that is connected the shared printer in the **Printer**. When the dialog box to enter user name and password appears, enter the information about the print server, select name of the shared printer, then click **OK**. When **Add Printer** dialog box appears, click **Next**.

For Windows Vista or Vista x64, click the icon of the computer or server that is connected to the shared printer. When the dialog box to enter user name and password appears, enter the information about the print server, select the name of the shared printer, then click **Next**. When **Add Printer** dialog box appears, click **Next**.

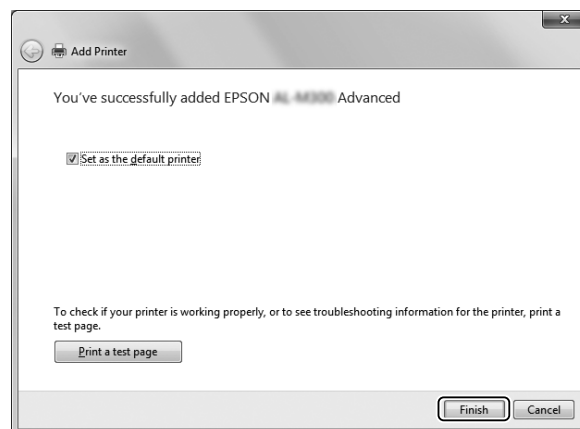
For Windows XP and XP x64, click the icon of the computer or server that is connected to the shared printer. When the dialog box to enter user name and password appears, enter the information about the print server, click the name of the shared printer, then click **Next**.



Note:

- The name of the shared printer may be changed by the computer or server that is connected to the shared printer. To make sure of the name of the shared printer, ask the administrator of the network.*
- If the printer driver is installed in the client beforehand, you need to select either the new printer driver or the current printer driver. When the prompt to select the printer driver appears, select the printer driver according to the message.*
- If the additional driver for the corresponding Windows is installed in the print server, go to the next step.*

8. Make sure of the settings, then click **Finish**.



Note:

When **Set as the default printer** check box appears, select whether to use the printer as the default printer or not, then click **Next** or **Finish**.

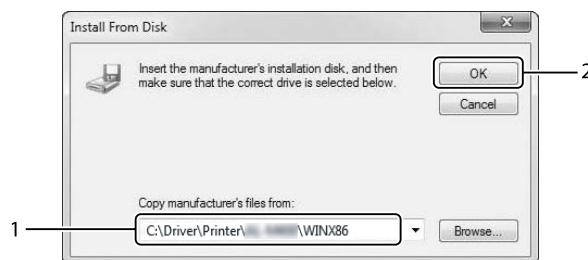
Installing the printer driver from the Software Disc

Follow the instructions below to install the printer driver from the Software Disc that comes with your printer.

The on-screen displays on the following pages may differ depending on the version of Windows OS.

Note:

- A computer with a CD/DVD drive is necessary. If the computer has no CD/DVD drive, copy the folder noted in step 2 that is stored in the Software Disc to your computer.
 - When installing in Windows XP or XP x64 clients, you must access Windows XP or XP x64 as the Administrator.
 - For Windows 8, 8 x64, 7, 7 x64, Vista, or Vista x64, even if you are not an administrator or power user, you can install the printer driver by clicking **Yes** (Windows 8, 8 x64, 7, 7 x64) or **Continue** (Windows Vista, or Vista x64) when the prompt to continue the installation appears.
 - If the additional drivers are installed or the computers of the server and clients use the same OS, you do not have to install the printer drivers from the Software Disc.
1. Access the shared printer and a prompt may appear. Click **OK**, then follow the on-screen instructions to install the printer driver from the Software Disc.
 2. Insert the Software Disc, type the appropriate drive and folder names in which the printer driver for clients is located, then click **OK**.



When installing drivers, “Digital Signature is not found.” may appear. Click **Continue Anyway**, and continue installing.

The folder name differs depending on the OS being used.

Client's OS	Folder Name
Windows 8, 7, Vista or XP	\Driver\Printer\<<model name>\WINX86
Windows 8 x64, 7 x64, Vista x64 or XP x64	\Driver\Printer\<<model name>\WINX64

3. Select the name of the printer, click **OK**, then follow the on-screen instructions.

Using the PostScript Printer Driver

System requirements

Printer hardware requirements

	Recommended
Memory	Standard + 128 MB (for duplex printing of image data at Fine)

Note:

Add more memory modules into your printer if the amount of memory currently installed does not meet your printing needs.

Computer system requirements

Windows

	Recommended
OS	Windows 8, 8 x64, 7, 7 x64, Vista, Vista x64, XP, XP x64, Server 2012 x64, Server 2008, Server 2008 x64, Server 2003, or Server 2003 x64
Remarks	No restrictions for these systems

Mac OS X

	Recommended
OS Version	Mac OS X 10.5.8 or later
Computer	Power Mac G3, G4, G5, iMac, eMac, PowerBook G3, G4, or iBook

Note:

If you use binary data for the network connection, you need to set Binary to On in the PS3 Menu on the control panel. For details about the settings, see the Network Guide. If you use the printer with a local connection, you cannot use binary data.

Using the PostScript printer driver with Windows

To print in the PostScript mode, you will have to install the printer driver. See the appropriate sections below for installation instructions according to the interface that you are using to print.

Installing the PostScript printer driver for the USB interface or the parallel interface

Note:

- Installing the printer software for Windows may require administrator privileges. If you have problems, ask your administrator for more information.
- Turn off all virus protection programs before installing the printer software.

1. Make sure that the printer is turned off. Insert the printer Software Disc into your CD/DVD drive.
2. If the printer is connected to a USB interface, connect your computer to the printer with a USB cable, then turn on the printer. If the printer is connected to a parallel interface, go to step 3.

Note for Windows Vista users:

Without the Windows driver or the Adobe PS driver, the display shows "Found New Hardware." In this case, click **Ask me again later**.

3. For Windows 8 or 8 x64, right-click the bottom left corner of the screen, select **Control Panel**, click **View devices and printers**, then click **Add a printer** button.
For Windows 7 or 7 x64, click the start button, select **Devices and Printers**, and click the **Add a printer** button.
For Windows Vista, Vista x64, XP, XP x64, Server 2008, or Server 2008 x64, click **Start**, point to **Printer and Faxes**, and click **Add a printer** in the Printer Tasks menu.
For Windows 2000, Server 2003, or Server 2003 x64, click **Start**, point to **Settings**, and click **Printers**. Then double-click the **Add Printer** icon.

The Add Printer Wizard appears.

4. For Windows 8, 8 x64, 7, 7 x64, Vista, Vista x64, Server 2012, Server 2008, or Server 2008 x64, select **Add a local printer**.

For Windows XP, XP x64, 2000, Server 2003, click **Next** to proceed the next screen, select **Local printer**, then click **Next**.

Note for Windows XP, 2000, or Server 2003 users:

*Do not select the **Automatically detect and install my Plug and Play printer** check box.*

5. If the printer is connected to a USB interface, select **USB**, then click **Next**, or if the printer is connected to a parallel interface, select **LPT1**, then click **Next**.
6. Click **Have Disk** and specify the following path for the Software Disc. If your CD/DVD drive is D:, the path will be D:\Driver\PostScript\<<model name>\eppsnt.inf. Then click **OK**.

Note:

Change the drive letter as needed for your system.

7. Select the printer, then click **Next**.
8. Follow the on-screen instructions for the rest of the installation.
9. When installation is done, click **Finish**.

Installing the PostScript printer driver for the network interface

Note:

- Set the network settings before installing the printer driver. Refer to the Network Guide that comes with your printer for details.*
 - Turn off all virus protection programs before installing the printer software.*
1. Make sure that the printer is turned on. Insert the printer Software Disc into your CD/DVD drive.
 2. For Windows 8 or 8 x64, right-click the bottom left corner of the screen in the desktop style, select **Control Panel**, click **View devices and printers**, then click **Add a printer** button.
For Windows 7 or 7 x64, click the start button, select **Devices and Printers**, and click the **Add a printer** button.
For Windows Vista, Vista x64, XP, XP x64, Server 2008, or Server 2008 x64, click **Start**, point to **Printer and Faxes**, and click **Add a printer** in the Printer Tasks menu.
For Windows 2000, Server 2003, or Server 2003 x64, click **Start**, point to **Settings**, and click **Printers**. Then double-click the **Add Printer** icon.

The Add Printer Wizard appears.

3. For Windows 8, 8 x64, 7, 7 x64, Vista, Vista x64, Server 2012, Server 2008, or Server 2008 x64, select **Add a local printer**.
For Windows XP, XP x64, 2000, Server 2003, click **Next** to proceed the next screen, select **Local printer**, then click **Next**.

Note for Windows XP, 2000, or Server 2003 users:

*Do not select the **Automatically detect and install my Plug and Play printer** check box.*

4. Select the **Create a new port** check box and select **Standard TCP/IP Port** from the drop-down list. Click **Next**.
5. (For Windows XP, 2000, or Server 2003 users only) Click **Next**.
6. Specify the IP address and port name, then click **Next**.
7. Click **Finish**.
8. Click **Have Disk** in the Add Printer Wizard and specify the following path for the Software Disc. If your CD/DVD drive is D:, the path will be D:\Driver\PostScript\\eppsnt.inf. Then click **OK**.

Note:

Change the drive letter as needed for your system.

9. Select the printer and click **Next**.
10. Follow the on-screen instructions for the rest of the installation.
11. When installation is done, click **Finish**.

Accessing the PostScript printer driver

You can change the PostScript printer driver settings in the PostScript printer driver. To access the printer driver, see “Accessing the printer driver” on page 169.

Using the PostScript printer driver with Mac OS

Installing the PostScript printer driver

Note:

Make sure that no applications are running on your Mac OS before installing the printer driver.

For Mac OS X users

Note:

Make sure that **Print & Fax** ("**Print & Scan**" for Mac OS X 10.8 or 10.7) is not open.

1. Insert the printer Software Disc into your CD/DVD drive.
2. Double-click the CD/DVD drive icon.
3. Double-click **Driver, PostScript**, and your printer's name (**AL-M300** or **AL-M400**) in order, then double-click **PS Installer.pkg**.
4. The Install EPSON PostScript Printer Driver screen appears, click **Continue**, then follow the on-screen instructions.
5. Click **Install** to start the installation.
6. When installation is done, click **Close**.

Selecting the printer


After installing the PostScript 3 printer driver, you need to select the printer.

In a network environment

For Mac OS X users

Note:

- Although **EPSON FireWire** appears in the interface pop-up list, you cannot use FireWire for printer connection in the PostScript 3 mode.
- You need to make the settings for your installed options manually when the printer is connected using USB, IP printing, or Bonjour.
- Make sure to specify ASCII as the data format in the application.

1. Open the System Preferences, and then double-click the Print & Fax ("Print & Scan" for Mac OS X 10.8 or 10.7) icon.
The Print & Fax ("Print & Scan" for Mac OS X 10.8 or 10.7) window appears.
2. Click  in the Printers window.
3. Select the protocol or the interface that you are using from the pop-up list.

Note for IP Printing users:

- Make sure to select **IP Printing**. Do not select **EPSON TCP/IP**, because it cannot be used with the PostScript 3 printer driver.*
- After selecting **IP Printing**, enter the IP address for the printer, then make sure to select the **Use default queue on server** check box.*

Note for USB users:

*Make sure to select **USB**. Do not select **EPSON USB**, because it cannot be used with the PostScript 3 printer driver.*

4. Follow the instructions as appropriate below to select your printer.

IP Printing

Select **Epson** from the Name List, then select your printer from the Printer Model List.

USB

Select your printer from the Name List, then select your printer from the Printer Model List.

Bonjour

Select your printer, the printer name is followed by (**PostScript**), from the Name List. Your printer model is automatically selected in the Printer Model List.

Note for Bonjour users:

If your printer model is not automatically selected in the Printer Model list, you need to reinstall the PostScript printer driver. See "Installing the PostScript printer driver" on page 192.

5. Click **Add**.

Note for IP Printing users, USB or Bonjour users:

*Select your printer from the Printers, then select **Options & Supplies**. The printer information dialog box appears, then make the necessary settings.*

6. Confirm that your printer's name is added to the Printers list. Then quit **Print & Fax** ("**Print & Scan**" for Mac OS X 10.8 or 10.7).

Accessing the PostScript printer driver

You can change the PostScript printer driver settings in the PostScript printer driver.

Changing the printer setup settings

You can change or update the printer setup settings according to the options installed in your printer.

For Mac OS X users

1. Open the **System Preferences**, and then double-click the **Print & Fax** ("**Print & Scan**" for OS X 10.8 or 10.7) icon.
2. Select the printer from the list.
3. Select **Options & Supplies**.
4. Make necessary changes to the settings, then close the dialog box.
5. Quit **Print & Fax** ("**Print & Scan**" for Mac OS 10.8 or 7).

Using the PCL printer driver

Using Epson Universal P6 Printer Driver

Epson Universal P6 Printer Driver is the universal PCL6 compatible print driver that has the following features:

- It supports the basic print functions needed for business situations.
- It supports multiple Epson business printers besides this printer.
- It supports most languages among the print drivers for this printer.

Computer system requirements

If your CD/DVD drive is D:, open **Epson_Universal_P6_Supplement.txt** in the **D:\Driver \PCLUniversal**, and refer to Supported OS.

Your computer must be running one of the supported Microsoft Windows versions listed there, and must meet the system requirements of its operating system.

Supported Printers

If your CD/DVD drive is D:, open **Epson_Universal_P6_Supplement.txt** in the **D:\Driver\PCLUniversal**, and refer to Supported Printers.

Supported Languages

If your CD/DVD drive is D:, open **Epson_Universal_P6_Supplement.txt** in the **D:\Driver\PCLUniversal**, and refer to Supported Languages.

Installing the Printer Driver

1. Insert the printer Software Disc into your CD/DVD drive.
2. If your CD/DVD drive is D:, double-click **setup.exe** in the **D:\Driver\PCLUniversal\<model name>\Win32** for 32-bit Windows OS or **D:\Driver\PCLUniversal\<model name>\Win64** for 64-bit Windows OS.

Note:

Change the drive letter as needed for your system.

Follow the on-screen instructions.

After the installation is done, access your printer's **Properties** to customize the settings and **Printing Preferences** to make the appropriate printer driver settings.

Note:

The printer driver's online help provides details on printer driver settings.

Uninstalling the printer driver

Note:

The procedure below uses Windows 7 as an example.

1. Close all applications.
2. Access **Program and Features** on the Control Panel.
3. Select **Epson Universal Laser P6**, and then click **Uninstall/Change**.

Follow the on screen instructions.

Appendix A

Technical Specifications (AL-M300 Series)

Paper

Since the quality of any particular brand or type of paper may be changed by the manufacturer at any time, Epson cannot guarantee the quality of any type of paper. Always test samples of paper stock before purchasing large quantities or printing large jobs.

Available paper types

Paper type	Description
Plain paper	Weight: 60 to 80 g/m ² (Recycled paper is acceptable. *)
Envelopes	No paste and no tape. No plastic window. (unless specifically designed for laser printers.)
Labels	The backing sheet should be covered completely, with no gaps between labels.
Semi thick paper	Weight: 81 to 105 g/m ²
Thick paper	Weight: 106 to 163 g/m ²
Extra thick paper	Weight: 164 to 216 g/m ²
Paper with letterhead	Paper and ink of letterheads must be compatible with laser printers.

* Use recycled paper only under normal temperature and humidity conditions. Poor quality paper may reduce print quality, or cause paper jams and other problems.

Paper that should not be used

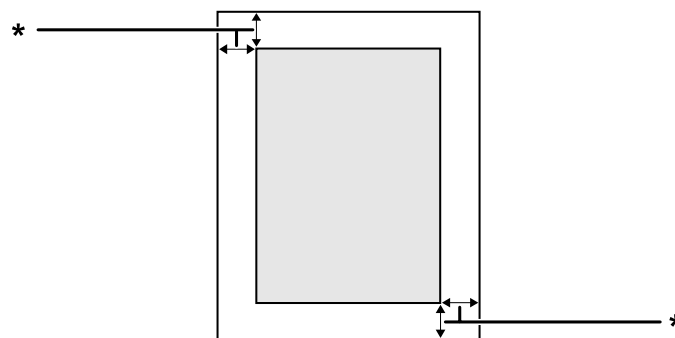
You cannot use the following paper in this printer. It may cause printer damage, paper jams, and poor print quality:

- Media meant for other black-and-white laser printers, color laser printers, color copiers, black-and-white copiers, or ink jet printers
- Previously printed paper by any other black-and-white laser printers, color laser printers, color copiers, black-and-white copiers, ink jet printers, or thermal transfer printers

- Carbon paper, carbonless paper, thermal-sensitive paper, pressure-sensitive paper, acid paper, or paper that uses high-temperature-sensitive ink (around 180°C)
- Labels that peel easily or labels that do not cover the backing sheet completely
- Special surface-coated paper or special surface-colored paper
- Paper that has binder holes or is perforated
- Paper that has glue, staples, paper clips, or tape on it
- Paper that attracts static electricity
- Moist or damp paper
- Paper of uneven thickness
- Overly thick or thin paper
- Paper that is too smooth or too rough
- Paper that is different on the front and back
- Paper that is folded, curled, wavy, or torn
- Paper of irregular shape, or paper that does not have right angle corners

Printable area

The assured printable area is an area 4 mm from all sides.



* 4 mm

Note:

The printable area may be smaller depending on the application.

Printer

General

Printing method:	Laser beam scanning and dry electrophotographic process	
Resolution:	600 × 600 dpi, 1200 × 1200 dpi	
Continuous printing speed*1:	Up to 35 pages per minute on A4 size paper	
Paper feed:	Automatic or manual feed	
Paper feed alignment:	Center alignment for all sizes	
Input paper supply:		
MP tray:	plain paper	Up to a 5.5 mm thick stack, or up to 50 sheets (80 g/m ²)
	envelopes	Up to 5.5 mm
	labels	Up to 5.5 mm
	semi thick paper	Up to a 5.5 mm thick stack
	thick paper	Up to a 5.5 mm thick stack
	extra thick paper	Up to a 5.5 mm thick stack
Standard lower paper cassette:	plain paper	Up to a 27 mm thick stack, or up to 250 sheets (80 g/m ²)
	labels	Up to a 10 mm thick stack
	semi thick paper	Up to a 27 mm thick stack
	thick paper	Up to a 10 mm thick stack
	extra thick paper	Up to a 10 mm thick stack
Optional paper cassette unit:	plain paper	Up to a 27 mm thick stack, or up to 250 sheets (80 g/m ²)
	labels	Up to a 10 mm thick stack
	semi thick paper	Up to a 27 mm thick stack
	thick paper	Up to a 10 mm thick stack
	extra thick paper	Up to a 10 mm thick stack

Paper output:	Face-down tray	For all paper types and sizes
Paper output capacity:	Face-down tray	Up to 150 sheets of plain paper (80 g/m ²)
Printer language:	ECP/Page	
	ESC/P 2 24-pin printer emulation (ESC/P 2 mode)	
	ESC/P 9-pin printer emulation (FX mode)	
	IBM Proprinter emulation (I239X mode)	
	Adobe PostScript3 (PS3 mode)	
	PCL6/PCL5 emulation (PCL mode)	
	PDF 1.6 ^{*2}	
Resident fonts:	84 scalable fonts, and 7 bitmap fonts for ESC/Page 95 scalable fonts, and 5 bitmap for PCL5 80 scalable fonts, and 1 bitmap for PCL6 136 scalable fonts for PostScript3	
RAM:	128 MB, expandable up to 1152 MB by adding an optional 1024 MB RAM DIMM	

*1 Printing speed varies by paper type or other conditions.

*2 Available only for AL-M300DN when used over a network and equipped with a memory module that has 128 MB or more.

Environmental

Temperature:	In use:	5 to 32°C (41 to 89.6°F)
	Not in use:	-20 to 40°C (-4 to 104°F)
Humidity:	In use:	15 to 85% RH
	Not in use:	5 to 85% RH
Altitude*:	3,100 meters (10,171 feet) maximum	

* If the printer is used at an altitude greater than 1000 m, adjust the value in the Highland setting of the Printer Adjust Menu. See "Printer Adjust Menu" on page 89 for details.

Mechanical

Dimensions	Height:	277 mm (10.9 in.)
	Width:	393 mm (15.5 in.)
	Depth:	426 mm (16.8 in.)
Weight	Approx. 12 kg (about 26.5 lb) (Excluding consumables and options)	

Electrical

			110-127 V	220-240 V
Rated voltage			110 V-127 V	220 V-240 V
Rated frequency			50 Hz/60 Hz	50 Hz/60 Hz
Rated current			11.0 A	6 A
Power consumption	During printing	Average	431 W	439 W
		MAX	870 W	940 W
	During ready mode		37 W	39 W
	During sleep mode*		2.65 W	2.63 W
	During deep sleep mode		0.98 W	1.01 W
	During power off mode		0 W	0 W

* Values represent power consumption while all operations are completely suspended. Power consumption varies depending on operating conditions.

Note for users in Taiwan:

Rated voltage of this printer in Taiwan is 110 V to 127V.

Standard and approvals

European model:

Low Voltage Directive 2006/95/EC	EN 60950-1 EN 60825-1
----------------------------------	--------------------------

EMC Directive 2004/108/EC	EN 55022 Class B EN 55024 EN 61000-3-2 EN 61000-3-3
---------------------------	--

Indication of the manufacturer and the importer in accordance with requirements of directive 2011/65/EU (RoHS)

Manufacturer:	SEIKO EPSON CORPORATION	
Address:	3-5, Owa 3-chome, Suwa-shi, Nagano-ken 392-8502 Japan	
	Telephone:	81-266-52-3131

Importer:	EPSON EUROPE B.V.	
Address:	Azië building, Atlas Arena, Hoogoorddreef 5, 1101 BA Amsterdam Zuidoost The Netherlands	
	Telephone:	31-20-314-5000

Interfaces

Parallel Interface (For AL-M300D only)

Use the IEEE 1284-B compliant parallel interface connector.

ECP mode/Nibble mode

USB interface

Hi-Speed USB - Compatible with the USB 2.0 Specification

Note:

- Your computer must support Hi-Speed USB or USB in order to use Hi-Speed USB or USB as the interface to connect your computer to the printer.
- Since Hi-Speed USB is fully compatible with USB, USB can be used as an interface.

Ethernet interface (For AL-M300DN only)

You can use an IEEE 802.3 1000BASE-T/100BASE-TX/10BASE-Te straight-through shielded, twisted-pair interface cable with an RJ45 connector.

Options

Optional paper cassette unit

Product code:	C12C802761
Paper size:	A4, A5, B5, Letter (LT), Half Letter (HLT), Legal (LGL), Government Letter (GLT), Government Legal (GLG), Executive (EXE), F4
Paper weight:	60 to 216 g/m ² (16 to 57.5 lb)
Paper feed:	One optional paper cassette unit can be installed. Automatic feed delivery system Cassette capacity up to 250 sheets
Paper types:	Plain paper, Semi thick paper, Preprinted paper, Letterhead, Recycled paper, Color paper, Thick paper, Extra thick paper, Labels, Special
Dimensions and weight:	
Height:	90 mm (3.5 in.)
Width:	393 mm (15.5 in.)
Depth:	399 mm (15.7 in.)
Weight:	3 kg (6.6 lb) including cassette

Note:

This product conforms to CE marking requirements in accordance with EC Directive 2004/108/EC.

Memory modules

Make sure that DIMM you purchase is compatible with Epson products. For details, contact the store where you purchased this printer or the Epson sales company.

Memory size:	128 MB, 256 MB, 512 MB, 1024 MB
--------------	---------------------------------

Consumable Products

Toner cartridge/Return toner cartridge

Product code/Model:	High Capacity Toner Cartridge	6089* ¹
	Standard Capacity Toner Cartridge	6090* ¹
	Return High Capacity Toner Cartridge* ²	6091* ¹
Storage temperature:	0 to 35°C (32 to 95°F)	
Storage humidity:	15 to 80% RH	

*¹ This product conforms to CE marking requirements in accordance with EMC Directive 2004/108/EC.

*² Return toner cartridge is not sold in some areas. Contact your local Epson dealer/representative about the availability of the Return toner cartridge scheme.

Photoconductor Unit

Product code/Model:	Photoconductor Unit (Black)	1228*
Storage temperature:	0 to 35°C (32 to 95°F)	
Storage humidity:	15 to 80% RH	

* This product conforms to CE marking requirements in accordance with EMC Directive 2004/108/EC.

Maintenance Parts

Fuser Unit

Product code/Model:	3049/3050* ¹ * ²	
Storage temperature:	0 to 35°C (32 to 95°F)	
Storage humidity:	15 to 80% RH	

*¹ This product conforms to CE marking requirements in accordance with EMC Directive 2004/108/EC.

*² Fuser unit part numbers vary by location.

Appendix B

Technical Specifications (AL-M400 Series)

Paper

Since the quality of any particular brand or type of paper may be changed by the manufacturer at any time, Epson cannot guarantee the quality of any type of paper. Always test samples of paper stock before purchasing large quantities or printing large jobs.

Available paper types

Paper type	Description
Plain paper	Weight: 60 to 80 g/m ² (Recycled paper is acceptable. *)
Envelopes	No paste and no tape. No plastic window. (unless specifically designed for laser printers.)
Labels	The backing sheet should be covered completely, with no gaps between labels.
Semi thick paper	Weight: 81 to 105 g/m ²
Thick paper	Weight: 106 to 163 g/m ²
Extra thick paper	Weight: 164 to 216 g/m ²
Paper with letterhead	Paper and ink of letterheads must be compatible with laser printers.

* Use recycled paper only under normal temperature and humidity conditions. Poor quality paper may reduce print quality, or cause paper jams and other problems.

Paper that should not be used

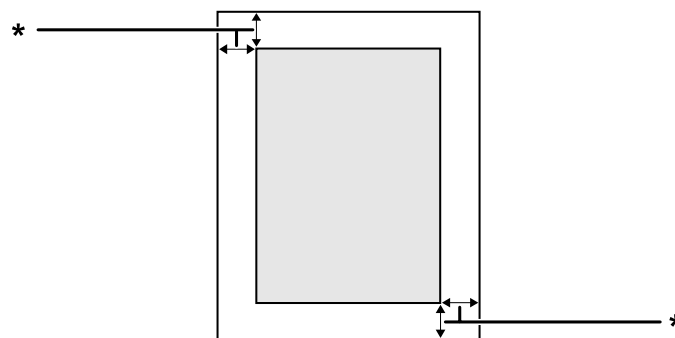
You cannot use the following paper in this printer. It may cause printer damage, paper jams, and poor print quality:

- Media meant for other black-and-white laser printers, color laser printers, color copiers, black-and-white copiers, or ink jet printers
- Previously printed paper by any other black-and-white laser printers, color laser printers, color copiers, black-and-white copiers, ink jet printers, or thermal transfer printers

- Carbon paper, carbonless paper, thermal-sensitive paper, pressure-sensitive paper, acid paper, or paper that uses high-temperature-sensitive ink (around 195 °C)
- Labels that peel easily or labels that do not cover the backing sheet completely
- Special surface-coated paper or special surface-colored paper
- Paper that has binder holes or is perforated
- Paper that has glue, staples, paper clips, or tape on it
- Paper that attracts static electricity
- Moist or damp paper
- Paper of uneven thickness
- Overly thick or thin paper
- Paper that is too smooth or too rough
- Paper that is different on the front and back
- Paper that is folded, curled, wavy, or torn
- Paper of irregular shape, or paper that does not have right angle corners

Printable area

The assured printable area is an area 4 mm from all sides.



* 4 mm

Note:

The printable area may be smaller depending on the application.

Printer

General

Printing method:	Laser beam scanning and dry electrophotographic process	
Resolution:	600 × 600 dpi, 1200 × 1200 dpi	
Continuous printing speed*1:	Up to 45 pages per minute on A4 size paper	
Paper feed:	Automatic or manual feed	
Paper feed alignment:	Center alignment for all sizes	
Input paper supply:		
MP tray:	plain paper	Up to a 16.5 mm thick stack, or up to 150 sheets (80 g/m ²)
	envelopes	Up to 10 mm
	labels	Up to 10 mm
	semi thick paper	Up to a 16.5 mm thick stack
	thick paper	Up to a 10 mm thick stack
	extra thick paper	Up to a 10 mm thick stack
Standard lower paper cassette:	plain paper	Up to a 59.4 mm thick stack, or up to 550 sheets (80 g/m ²)
	labels	Up to a 20 mm thick stack
	semi thick paper	Up to a 59.4 mm thick stack
	thick paper	Up to a 20 mm thick stack
	extra thick paper	Up to a 20 mm thick stack
Optional paper cassette unit:	plain paper	Up to a 59.4 mm thick stack, or up to 550 sheets (80 g/m ²)
	labels	Up to a 20 mm thick stack
	semi thick paper	Up to a 59.4 mm thick stack
	thick paper	Up to a 20 mm thick stack
	extra thick paper	Up to a 20 mm thick stack

Paper output:	Face-down tray	For all paper types and sizes
Paper output capacity:	Face-down tray	Up to 250 sheets of plain paper (80 g/m ²)
Printer language:	ECP/Page	
	ESC/P 2 24-pin printer emulation (ESC/P 2 mode)	
	ESC/P 9-pin printer emulation (FX mode)	
	IBM Proprinter emulation (I239X mode)	
	Adobe PostScript3 (PS3 mode)	
	PCL6/PCL5 emulation (PCL mode)	
	PDF 1.6 ^{*2}	
Resident fonts:	84 scalable fonts, and 7 bitmap fonts for ESC/Page 95 scalable fonts, and 5 bitmap for PCL5 80 scalable fonts, and 1 bitmap for PCL6 136 scalable fonts for PostScript3	
RAM:	128 MB, expandable up to 1152 MB by adding an optional 1024 MB RAM DIMM	

*1 Printing speed varies by paper type or other conditions.

*2 Available only when used over a network and equipped with a memory module that has 128 MB or more.

Environmental

Temperature:	In use:	5 to 32°C (41 to 89.6°F)
	Not in use:	-20 to 40°C (-4 to 104°F)
Humidity:	In use:	15 to 85% RH
	Not in use:	5 to 85% RH
Altitude*:	3,100 meters (10,171 feet) maximum	

* When the printer is used in locations at an altitude greater than 1000 m, adjust the value in the `Highland` setting of the `Printer Adjust Menu`. See "Printer Adjust Menu" on page 89 for details.

Mechanical

Dimensions	Height:	324 mm (12.8 in.)
	Width:	393 mm (15.5 in.)
	Depth:	426 mm (16.8 in.)
Weight	Approx. 14 kg (about 30.9 lb) (Excluding consumables and options)	

Electrical

			110-127 V	220-240 V
Rated voltage			110 V-127 V	220 V-240 V
Rated frequency			50 Hz/60 Hz	50 Hz/60 Hz
Rated current			11.0 A	6 A
Power consumption	During printing	Average	466 W	454 W
		MAX	900 W	960 W
	During ready mode		44 W	52 W
	During sleep mode*		2.73 W	2.80 W
	During deep sleep mode		0.99 W	1.02 W
	During power off mode		0 W	0 W

* Values represent power consumption while all operations are completely suspended. Power consumption varies depending on operating conditions.

Note for users in Taiwan:

Rated voltage of the printer in Taiwan is 110 V to 127V.

Standard and approvals

European model:

Low Voltage Directive 2006/95/EC	EN 60950-1 EN 60825-1
----------------------------------	--------------------------

EMC Directive 2004/108/EC	EN 55022 Class B EN 55024 EN 61000-3-2 EN 61000-3-3
---------------------------	--

Indication of the manufacturer and the importer in accordance with requirements of directive 2011/65/EU (RoHS)

Manufacturer:	SEIKO EPSON CORPORATION	
Address:	3-5, Owa 3-chome, Suwa-shi, Nagano-ken 392-8502 Japan	
	Telephone:	81-266-52-3131

Importer:	EPSON EUROPE B.V.	
Address:	Azië building, Atlas ArenA, Hoogoorddreef 5, 1101 BA Amsterdam Zuidoost The Netherlands	
	Telephone:	31-20-314-5000

Interfaces

USB interface

Hi-Speed USB - Compatible with the USB 2.0 Specification

Note:

- Your computer must support Hi-Speed USB or USB in order to use Hi-Speed USB or USB as the interface to connect your computer to the printer.
- Since Hi-Speed USB is fully compatible with USB, USB can be used as an interface.

Ethernet interface

You can use an IEEE 802.3 1000BASE-T/100BASE-TX/10BASE-Te straight-through shielded, twisted-pair interface cable with an RJ45 connector.

Options

Optional paper cassette unit

Product code:	C12C802771
Paper size:	A4, A5, B5, Letter (LT), Half Letter (HLT), Legal (LGL), Government Letter (GLT), Government Legal (GLG), Executive (EXE), F4
Paper weight:	60 to 216 g/m ² (16 to 57.5 lb)
Paper feed:	Three optional paper cassette units can be installed. Automatic feed delivery system Cassette capacity up to 550 sheets
Paper types:	Plain paper, Semi thick paper, Preprinted paper, Letterhead, Recycled paper, Color paper, Thick paper, Extra thick paper, Labels, Special
Dimensions and weight:	
Height:	140 mm (5.5 in.)
Width:	393 mm (15.5 in.)
Depth:	399 mm (15.7 in.)
Weight:	4 kg (8.8 lb) including cassette

Note:

This product conforms to CE marking requirements in accordance with EC Directive 2004/108/EC.

Memory modules

Make sure that DIMM you purchase is compatible with Epson products. For details, contact the store where you purchased this printer or the Epson sales company.

Memory size:	128 MB, 256 MB, 512 MB, 1024 MB
--------------	---------------------------------

CompactFlash memory

Contact the Epson sales company for detail information.

Consumable Products

Toner cartridge/Return toner cartridge

Product code/Model:	High Capacity Toner Cartridge	0697* ¹
	Standard Capacity Toner Cartridge	0698* ¹
	Return High Capacity Toner Cartridge* ²	0699* ¹
Storage temperature:	0 to 35°C (32 to 95°F)	
Storage humidity:	15 to 80% RH	

*¹ This product conforms to CE marking requirements in accordance with EMC Directive 2004/108/EC.

*² Return toner cartridge is not sold in some areas. Contact your local Epson dealer/representative about the availability of the Return toner cartridge scheme.

Photoconductor Unit

Product code/Model:	Photoconductor Unit (Black)	1230*
Storage temperature:	0 to 35°C (32 to 95°F)	
Storage humidity:	15 to 80% RH	

* This product conforms to CE marking requirements in accordance with EMC Directive 2004/108/EC.

Maintenance Parts

Maintenance unit

Product code/Model:	3057/3058* ¹ * ²	
Storage temperature:	0 to 35°C (32 to 95°F)	
Storage humidity:	15 to 80% RH	

*¹ This product conforms to CE marking requirements in accordance with EMC Directive 2004/108/EC.

*² Maintenance unit part numbers vary by location.

Appendix C

Where To Get Help

Contacting Epson Support

Before Contacting Epson

If your Epson product is not operating properly and you cannot solve the problem using the troubleshooting information in your product documentation, contact Epson support services for assistance. If Epson support for your area is not listed below, contact the dealer where you purchased your product.

Epson support will be able to help you much more quickly if you give them the following information:

- Product serial number
(The serial number label is usually on the back of the product.)
- Product model
- Product software version
(Click **About**, **Version Info**, or similar button in the product software.)
- Brand and model of your computer
- Your computer operating system name and version
- Names and versions of the software applications you normally use with your product

Help for Users in Europe

Check your **Pan-European Warranty Document** for information on how to contact Epson support.

Help for Users in Taiwan

Contacts for information, support, and services are:

World Wide Web (<http://www.epson.com.tw>)

Information on product specifications, drivers for download, and products enquiry are available.

Epson HelpDesk (Phone: +0800212873)

Our HelpDesk team can help you with the following over the phone:

- Sales enquiries and product information
- Product usage questions or problems
- Enquiries on repair service and warranty

Repair service center:

Telephone number	Fax number	Address
02-23416969	02-23417070	No.20, Beiping E. Rd., Zhongzheng Dist., Taipei City 100, Taiwan
02-27491234	02-27495955	1F., No.16, Sec. 5, Nanjing E. Rd., Songshan Dist., Taipei City 105, Taiwan
02-32340688	02-32340699	No.1, Ln. 359, Sec. 2, Zhongshan Rd., Zhonghe City, Taipei County 235, Taiwan
039-605007	039-600969	No.342-1, Guangrong Rd., Luodong Township, Yilan County 265, Taiwan
038-312966	038-312977	No.87, Guolian 2nd Rd., Hualien City, Hualien County 970, Taiwan
03-4393119	03-4396589	5F., No.2, Nandong Rd., Pingzhen City, Taoyuan County 32455, Taiwan (R.O.C.)
03-5325077	03-5320092	1F., No.9, Ln. 379, Sec. 1, Jingguo Rd., North Dist., Hsinchu City 300, Taiwan
04-23011502	04-23011503	3F., No.30, Dahe Rd., West Dist., Taichung City 40341, Taiwan (R.O.C.)
04-23805000	04-23806000	No.530, Sec. 4, Henan Rd., Nantun Dist., Taichung City 408, Taiwan
05-2784222	05-2784555	No.463, Zhongxiao Rd., East Dist., Chiayi City 600, Taiwan
06-2221666	06-2112555	No.141, Gongyuan N. Rd., North Dist., Tainan City 704, Taiwan

Telephone number	Fax number	Address
07-5520918	07-5540926	1F., No.337, Minghua Rd., Gushan Dist., Kaohsiung City 804, Taiwan
07-3222445	07-3218085	No.51, Shandong St., Sanmin Dist., Kaohsiung City 807, Taiwan
08-7344771	08-7344802	1F., No.113, Shengli Rd., Pingtung City, Pingtung County 900, Taiwan

Help for Users in Singapore

Sources of information, support, and services available from Epson Singapore are:

World Wide Web (<http://www.epson.com.sg>)

Information on product specifications, drivers for download, Frequently Asked Questions (FAQ), Sales Enquiries, and Technical Support via e-mail are available.

Epson HelpDesk (Phone: (65) 6586 3111)

Our HelpDesk team can help you with the following over the phone:

- Sales enquiries and product information
- Product usage questions or problems
- Enquiries on repair service and warranty

Help for Users in Thailand

Contacts for information, support, and services are:

World Wide Web (<http://www.epson.co.th>)

Information on product specifications, drivers for download, Frequently Asked Questions (FAQ), and e-mail are available.

Epson Hotline (Phone: (66)2685-9899)

Our Hotline team can help you with the following over the phone:

- Sales enquiries and product information
- Product usage questions or problems
- Enquiries on repair service and warranty

Help for Users in Vietnam

Contacts for information, support, and services are:

Epson Hotline (Phone): 84-8-823-9239

Service Center: 80 Truong Dinh Street, District 1, Hochiminh City
Vietnam

Help for Users in Indonesia

Contacts for information, support, and services are:

World Wide Web (<http://www.epson.co.id>)

- Information on product specifications, drivers for download
- Frequently Asked Questions (FAQ), Sales Enquiries, questions through e-mail

Epson Hotline

- Sales enquiries and product information
- Technical support

Phone (62) 21-572 4350

Fax (62) 21-572 4357

Epson Service Center

Jakarta	Mangga Dua Mall 3rd floor No 3A/B Jl. Arteri Mangga Dua, Jakarta Phone/Fax: (62) 21-62301104
Bandung	Lippo Center 8th floor Jl. Gatot Subroto No.2 Bandung Phone/Fax: (62) 22-7303766
Surabaya	Hitech Mall It IIB No. 12 Jl. Kusuma Bangsa 116 – 118 Surabaya Phone: (62) 31-5355035 Fax: (62)31-5477837
Yogyakarta	Hotel Natour Garuda Jl. Malioboro No. 60 Yogyakarta Phone: (62) 274-565478
Medan	Wisma HSBC 4th floor Jl. Diponegoro No. 11 Medan Phone/Fax: (62) 61-4516173
Makassar	MTC Karebosi Lt. III Kav. P7-8 Jl. Ahmad Yani No.49 Makassar Phone: (62)411-350147/411-350148

Help for Users in Hong Kong

To obtain technical support as well as other after-sales services, users are welcome to contact Epson Hong Kong Limited.

Internet Home Page

Epson Hong Kong has established a local home page in both Chinese and English on the Internet to provide users with the following information:

- Product information
- Answers to Frequently Asked Questions (FAQs)
- Latest versions of Epson product drivers

Users can access our World Wide Web home page at:

<http://www.epson.com.hk>

Technical Support Hotline

You can also contact our technical staff at the following telephone and fax numbers:

Phone: (852) 2827-8911

Fax: (852) 2827-4383

Help for Users in Malaysia

Contacts for information, support, and services are:

World Wide Web (<http://www.epson.com.my>)

- Information on product specifications, drivers for download
- Frequently Asked Questions (FAQ), Sales Enquiries, questions through e-mail

Epson Trading (M) Sdn. Bhd.

Head Office.

Phone: 603-56288288

Fax: 603-56288388/399

Epson Helpdesk

- Sales enquiries and product information (Infoline)

Phone: 603-56288222

- Enquiries on repair services & warranty, product usage and technical support (Techline)

Phone: 603-56288333

Help for Users in India

Contacts for information, support, and services are:

World Wide Web (<http://www.epson.co.in>)

Information on product specifications, drivers for download, and products enquiry are available.

Epson India Head Office - Bangalore

Phone: 080-30515000

Fax: 30515005

Epson India Regional Offices:

Location	Telephone number	Fax number
Mumbai	022-28261515 /16/17	022-28257287
Delhi	011-30615000	011-30615005
Chennai	044-30277500	044-30277575
Kolkata	033-22831589 / 90	033-22831591
Hyderabad	040-66331738/ 39	040-66328633

Location	Telephone number	Fax number
Cochin	0484-2357950	0484-2357950
Coimbatore	0422-2380002	NA
Pune	020-30286000 /30286001/30286002	020-30286000
Ahmedabad	079-26407176 / 77	079-26407347

Helpline

For Service, Product info or to order a cartridge - 18004250011 (9AM - 9PM) - This is a Toll-free number.

For Service (CDMA & Mobile Users) - 3900 1600 (9AM - 6PM) Prefix local STD code

Help for Users in the Philippines

To obtain technical support as well as other after sales services, users are welcome to contact the Epson Philippines Corporation at the telephone and fax numbers and e-mail address below:

Trunk Line:	(63-2) 706 2609
Fax:	(63-2) 706 2665
Helpdesk Direct Line:	(63-2) 706 2625
E-mail:	epchelpdesk@epc.epson.com.ph

World Wide Web (<http://www.epson.com.ph>)

Information on product specifications, drivers for download, Frequently Asked Questions (FAQ), and E-mail Enquiries are available.

Toll-Free No. 1800-1069-EPSON(37766)

Our Hotline team can help you with the following over the phone:

- Sales enquiries and product information
- Product usage questions or problems

- ❑ Enquiries on repair service and warranty

Index

- A**
- Anti-copy (copy protection) function
 - how to use (Windows).....56
 - Available paper
 - for AL-M300 Series.....197
 - for AL-M400 Series.....205
- B**
- Bookmark menu.....94
- C**
- Canceling printing.....109, 165
 - Clock menu.....75
 - CompactFlash memory (AL-M400 Series)
 - how to install.....120
 - how to remove.....123
 - specifications.....211
 - Confidential Job menu.....74, 107
 - Consumable products
 - Replacing.....124
 - Consumables
 - specification (photoconductor unit) (AL-M300 Series).....204
 - specification (photoconductor unit) (AL-M400 Series).....212
 - specification (toner cartridge) (AL-M300 Series).....204
 - specification (toner cartridge) (AL-M400 Series).....212
 - Contacting Epson.....213
 - Control panel.....109
 - overview.....24
 - Control panel menus
 - about.....60
 - bookmark.....94
 - clock.....75
 - confidential job.....74, 107
 - emulation.....66
 - energy saver.....87
 - ESCP2.....80
 - FX.....82
 - how to access.....60
 - I239X.....84
 - information.....62
 - network.....77
 - panel settings.....60
 - parallel.....75
 - password config.....86
 - PCL.....77
 - Printer Adjust Menu.....89
 - printing.....66
 - PS3.....79
 - quick print job.....74, 106
 - reserve job data.....106
 - reset.....73
 - setup.....69
 - support.....88
 - system information.....64
 - tray.....65
 - USB.....76
- D**
- Duplex printing.....48
- E**
- Emulation menu.....66
 - Energy saver menu.....87
 - EPSON Status Monitor
 - Accessing EPSON Status Monitor (Windows).....172
 - Installing EPSON Status Monitor (Windows).....171
 - Job Information (Windows).....174
 - Notice Settings (Windows).....176
 - Order Online.....177
 - Replacement Parts Information (Windows).....173
 - Status (Windows).....173
 - ESCP2 menu.....80
 - Ethernet
 - for AL-M300DN.....203
 - for AL-M400 Series.....210

F	
Fuser unit	
Specifications (AL-M300 Series).....	204
FX menu.....	82
G	
Guides	
Font Guide.....	27
Network Guide.....	27
Online Help.....	27
Setup Guide.....	26
User's Guide.....	27
H	
Headers and footers.....	52
Help	
Epson.....	213
Hidden Watermark (copy protection) function.....	56
How to register menus as bookmarks.....	61
I	
I239X menu.....	84
Information menu.....	62
Installing options	
installing a CompactFlash memory (AL-M400 Series).....	120
installing a memory module.....	116
installing the optional paper cassette unit.....	112
removing a CompactFlash memory (AL-M400 Series).....	123
removing a memory module.....	119
removing the optional paper cassette unit.....	116
Installing the postScript printer driver (Mac OS).....	192
Installing the PostScript printer driver for the network interface (Windows).....	190
Installing the PostScript printer driver for the USB interface (Windows).....	189
Interfaces	
ethernet (AL-M300DN).....	203
ethernet (AL-M400 Series).....	210
Parallel (AL-M300D).....	202
USB (AL-M300 Series).....	202
USB (AL-M400 Series).....	210
Interrupting printing.....	109
M	
Maintenance	
printer.....	126
Printer (pickup roller).....	127
Maintenance Parts	
specification (fuser unit) (AL-M300 Series).....	204
specification (maintenance unit) (AL-M400 Series).....	212
Maintenance unit (AL-M400 Series)	
Specifications.....	212
Memory module	
how to install.....	116
how to remove.....	119
specifications (AL-M300 Series).....	203
specifications (AL-M400 Series).....	211
MP tray	
Specifications.....	28
Supported paper.....	28
N	
Network menu.....	77
O	
Optional paper cassette unit	
how to install.....	112
how to remove.....	116
specifications:for AL-M300 Series.....	203
specifications:for AL-M400 Series.....	211
Options	
specifications (CompactFlash) (AL-M400 Series)....	211
specifications (memory module) (AL-M300 Series).....	203
specifications (memory module) (AL-M400 Series).....	211
specifications (optional paper cassette unit) (AL-M300 Series).....	203
specifications (optional paper cassette unit) (AL-M400 Series).....	211

Overlay	
how to create (Windows).....	53
how to print (Windows).....	55
how to use (Windows).....	53
P	
Paper	
available paper (AL-M300 Series).....	197
available paper (AL-M400 Series).....	205
loading the lower paper cassette.....	32
loading the MP tray.....	28
printable area (AL-M300 Series).....	198
printable area (AL-M400 Series).....	206
Special media.....	36
unavailable paper (AL-M300 Series).....	197
unavailable paper (AL-M400 Series).....	205
Paper Jam B (Cover B).....	137
Paper Jam C2, C3, C4, E2, E3, B (Cassette2-4, Cover E2-E3, Cover B).....	145
Paper Jam MP, C1, C2, B (MP tray, Cassette1-2, Cover B).....	140
Paper jams	
how to clear.....	136
Paper source	
lower paper cassette.....	32
MP tray.....	28
Parallel Interface (AL-M300D).....	202
Parallel menu.....	75
Password config menu.....	86
PCL menu.....	77
Photoconductor unit	
Specifications (AL-M300 Series).....	204
Specifications (AL-M400 Series).....	212
PostScript printer driver	
Accessing the PostScript printer driver (Mac OS)....	194
Accessing the PostScript printer driver (Windows)	191
hardware requirements.....	188
Installing the PostScript printer driver for Mac OS X users.....	192
Selecting a printer in a network environment for Mac OS X users.....	192
Precautions	
Replacing consumable products.....	124
Print layout	
Modifying the print layout.....	49
Printer	
cleaning.....	126
cleaning (pickup roller).....	127
consumable products.....	26
electrical (AL-M300 Series).....	201
electrical (AL-M400 Series).....	209
environmental (AL-M300 Series).....	200
environmental (AL-M400 Series).....	208
general (AL-M300 Series).....	199
general (AL-M400 Series).....	207
maintenance parts.....	26
mechanical (AL-M300 Series).....	201
mechanical (AL-M400 Series).....	209
optional products.....	25
parts (front view).....	21
parts (inside).....	23
parts (rear view).....	22
standard and approvals (AL-M300 Series).....	201
standard and approvals (AL-M400 Series).....	209
transporting.....	15
transporting (long distance).....	133
transporting (short distance).....	134
Printer driver	
Accessing the printer driver (Windows).....	169
Uninstalling the Printer software (Windows).....	178
Printer driver settings	
Creating an overlay (Windows).....	53
Dot Correction.....	47
Duplex printing.....	48
Making a new watermark.....	51
Making Extended settings (Windows).....	170
Making Optional settings (Windows).....	170
print layout.....	49
Printing the copy-protected document.....	56
Printing with an overlay.....	55
Re-Print Job.....	58
Reserve Job.....	57
Toner Save mode.....	45
Using a watermark.....	51
Using an overlay.....	53
Using headers and footers.....	52
Visibility.....	46
Printer software (Windows)	

About.....	169	Troubleshooting.....	94, 108 , 136 , 151 , 165
Printing menu.....	66	memory problems.....	161
Problems		operational problems.....	151
contacting Epson.....	213	options.....	163
solving.....	213	paper handling problems.....	162
PS3 menu.....	79	PostScript 3 mode.....	166
Q		print quality problems.....	155
Quick Print Job menu.....	74, 106	printout problems.....	154
R		USB problems.....	164
Relocating the printer.....	15	U	
Replacement Messages.....	124	Unavailable paper	
Reserve job data.....	106	for AL-M300 Series.....	197
Reset menu.....	73	for AL-M400 Series.....	205
S		USB	
Service.....	213	for AL-M300 Series.....	202
Setup menu.....	69	for AL-M400 Series.....	210
Sharing the printer		USB menu.....	76
Installing the printer driver from the Software Disc		W	
(Windows).....	187	Watermark	
Setting up clients (Windows).....	182	how to make.....	51
Using an additional driver (Windows).....	179	how to use.....	51
Special media			
Printing on.....	36		
Status and error messages.....	94		
Status sheet			
how to print.....	108, 151		
Support menu.....	88		
System information menu.....	64		
T			
Toner cartridge			
Specifications (AL-M300 Series).....	204		
Specifications (AL-M400 Series).....	212		
Toner Save mode.....	45		
Toner Save mode.....	45		
Transporting the printer (long distance).....	133		
Transporting the printer (short distance).....	134		
Tray menu.....	65		

Free Manuals Download Website

<http://myh66.com>

<http://usermanuals.us>

<http://www.somanuals.com>

<http://www.4manuals.cc>

<http://www.manual-lib.com>

<http://www.404manual.com>

<http://www.luxmanual.com>

<http://aubethermostatmanual.com>

Golf course search by state

<http://golfingnear.com>

Email search by domain

<http://emailbydomain.com>

Auto manuals search

<http://auto.somanuals.com>

TV manuals search

<http://tv.somanuals.com>