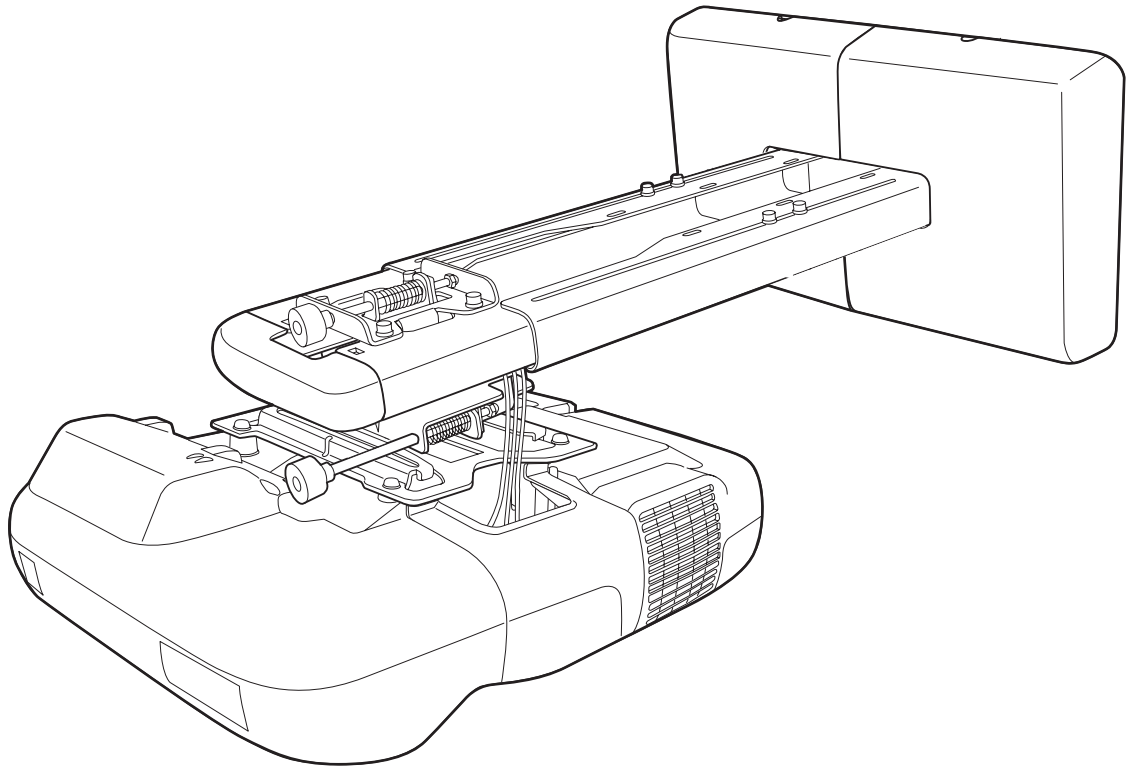


EPSON®
EXCEED YOUR VISION

BrightLink™ 455Wi

Installation Guide Guide d'installation





Safety Instructions



For your safety, read all the instructions in this guide before using the setting plate. Incorrect handling that ignores instructions in this guide could damage the setting plate or could result in personal injury or property damage. Keep this installation guide at hand for future reference.

Read the safety instructions in the User's Guide for your projector and follow the instructions in this document.









Explanation of Symbols

The warning marks shown below are used throughout this installation guide to prevent personal injury or property damage. Make sure you understand these warnings when reading this installation guide.

 Warning	This symbol indicates information that, if ignored, could possibly result in personal injury or even death due to incorrect handling.
 Caution	This symbol indicates information that, if ignored, could possibly result in personal injury or physical damage due to incorrect handling.

	Symbol indicating an action that must not be done
	Symbol indicating an action that should be done

Safety Precautions for Installation

 Warning	
<p>The setting plate is designed specifically for mounting a projector to a wall. If anything other than a projector is mounted, the weight may result in damage.</p> <p>If the setting plate falls, it could cause personal injury or property damage.</p>	
<p>The installation work (wall mounting) should be performed by specialists who have technical knowledge and ability. Incomplete or incorrect installation could cause the setting plate to fall and cause personal injury or property damage. Contact the customer support office listed in "Where to Get Help" in the User's Guide for your projector when installing the setting plate.</p>	
<p>Follow the instructions in this guide when installing the setting plate.</p> <p>If the instructions are not followed, the setting plate may fall, resulting in personal injury or property damage.</p>	
<p>Handle the power cable carefully.</p> <p>Incorrect handling may cause fire or electric shock. Observe the following precautions when handling:</p> <ul style="list-style-type: none"> • Do not handle the power plug with wet hands. • Do not use a power cable that is damaged or modified. • Do not pull the power cable with too much force when routing the cable through the setting plate. 	
<p>When you mount the projector on the wall with the setting plate, the wall requires enough strength to hold the projector and the setting plate. Confirm the weight of the projector and the setting plate before installation, and maintain the strength of the wall. If the wall is not strong enough, reinforce the wall before installation.</p>	
<p>Do not install the setting plate in a place where it might be subjected to vibration or shock.</p> <p>Vibration or shock could cause damage to the projector or mounting surface. It could also cause the setting plate or projector to fall and cause personal injury or property damage.</p>	
<p>Install the setting plate so that it can sufficiently support the weight of the projector and setting plate, and resist any horizontal vibration. Use M8 nuts and bolts.</p> <p>Nuts and bolts smaller than M8 could cause the setting plate to fall. Epson takes no responsibility for any damage or injury caused by incorrect installation.</p>	

! Warning

<p>The installation work should be performed by at least two qualified service personnel. If you need to loosen any screws during installation, be careful not to drop the setting plate.</p> <p>If the setting plate or projector falls, it could cause personal injury or property damage.</p>	!
<p>Inspect the setting plate on a regular basis to ensure there are no broken parts or loose screws.</p> <p>If there are any broken parts, stop using the setting plate immediately. If the setting plate or projector falls, it could cause personal injury or property damage.</p>	/
<p>Never modify the setting plate.</p>	/
<p>Do not hang on the setting plate or hang a heavy object on the setting plate.</p> <p>If the projector or setting plate falls, it could cause personal injury or property damage.</p>	/
<p>If you use adhesives to prevent the screws from loosening or things such as lubricants or oils on the slide plate fixing part of the projector, the case may crack and cause the projector to fall, resulting in personal injury or property damage. Do not use adhesives, lubricants, or oils to install or adjust the setting plate.</p>	/
<p>Tighten all screws firmly after adjustment.</p> <p>If the screws are not tightened firmly, the projector or setting plate may fall and cause personal injury or property damage.</p>	!
<p>Never loosen the bolts and nuts after installation.</p> <p>Confirm that the screws have not become loose on a regular basis. If you find any loose screws, tighten them firmly. If the screws are not tightened firmly, the projector or setting plate may fall and cause personal injury or property damage.</p>	/

! Caution

<p>Do not install the setting plate in a location where the operating temperature for your projector model may be exceeded.</p> <p>Such an environment may damage the projector.</p>	/
<p>Install the setting plate in a place free from excessive dust and humidity to prevent the lens or optical components from becoming dirty.</p>	!
<p>Do not use excessive force when adjusting the setting plate.</p> <p>The setting plate may break, resulting in personal injury.</p>	/

Location

- Before installing the projector, verify the power supply wiring for the installation location.
- Install the projector away from other electric devices such as fluorescent lights or air conditioners. Some kinds of fluorescent lights could interfere with the remote control of the projector.
- Install the projector away from direct sunlight and other bright light sources.
- It is recommended to keep connection cable length less than 65 ft (20 meters) to reduce external noise.
- Install the setting plate in a place free from excessive dust and humidity to prevent the lens or optical components from becoming dirty.

About This Installation Guide

This guide describes how to mount the BrightLink™ 455 Wi projector to a wall using the exclusive setting plate.

1 Package Contents  **Page 5**



2 Specifications  **Page 7**



3 Connecting Devices  **Page 8**



4 Positioning the Projector  **Page 9**


- (1) Installation worksheet for projecting on a pre-installed wall-mounted board
- (2) Installation worksheet for projecting on a plain wall
- (3) Installation measurements in inches
- (4) Installation measurements in millimeters



5 Installing the Projector  **Page 17**


- (1) Install the wall plate on the wall
- (2) Determine the projection distance and pull out the slider
- (3) Attach the setting plate to the wall plate
- (4) Secure the projector to the setting plate
- (5) Connect the power cable and other cables to the projector



6 Adjusting the Image  **Page 21**

- (1) Turn on the projector
- (2) Display the test pattern
- (3) Change the aspect ratio if necessary
- (4) Adjust the focus
- (5) Use the left adjustment dial to adjust the horizontal roll
- (6) Use the right adjustment dial to adjust the horizontal rotation
- (7) Use the top adjustment dial to adjust the vertical tilt
- (8) Adjust the vertical position
- (9) Adjust the forward/backward slide
- (10) Turn off the display of the test pattern or computer image

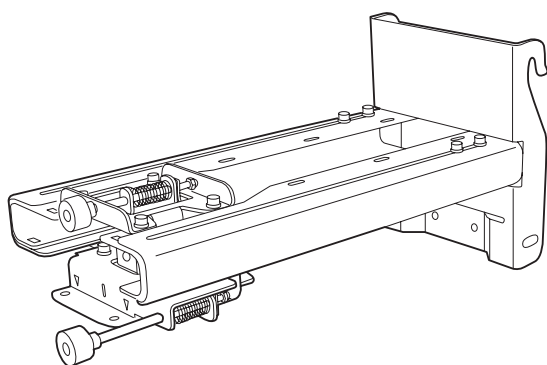


7 Attaching the Covers  **Page 26**

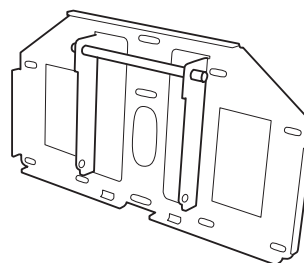
- (1) Attach the wall plate cover and end cap
- (2) Attach the cable cover to the projector

1. Package Contents

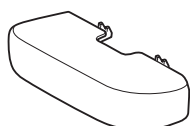
Mounting hardware



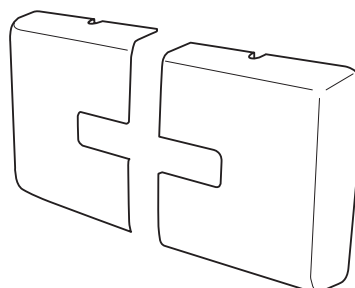
Setting plate (wall mount)



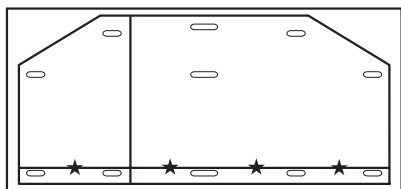
Wall plate



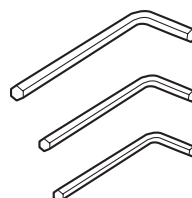
End cap



Wall plate cover



Template sheet
(for installing the wall plate)

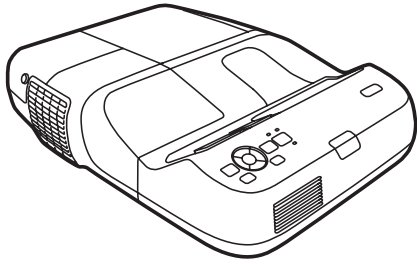


Hexagon wrenches (for M4, M5, and M8)

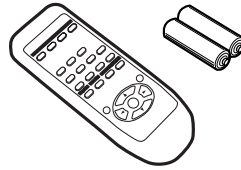
Shape	Name	Quantity	Application
	M8 x 15 mm hexagon socket head cap bolt with washer	2	For installing setting plate
	M5 x 12 mm hexagon socket head cap bolt with washer	2	For securing projector
	M4 x 12 mm hexagon socket head cap bolt without washer	2	For installing wall plate cover

- Use the bolts supplied with the setting plate to install it, as directed in this guide. Do not substitute these bolts with any other types.
- Use commercially available M8 x 50 mm anchors (at least 3) or 8 x 80 mm lag bolts (at least 3) to attach the wall plate to the wall.
- Gather the tools and parts you need before you begin installation.

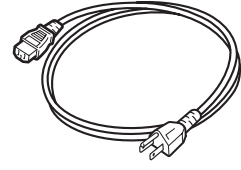
Projector box



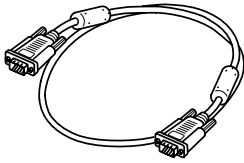
Projector



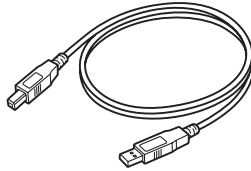
Remote control and AA batteries



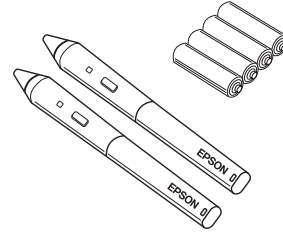
Power cord



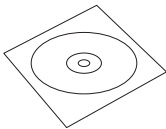
VGA computer cable



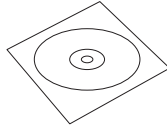
USB cable



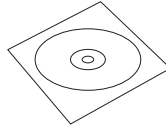
Interactive pens and AAA batteries



Epson Projector Software for Easy Interactive Function CD



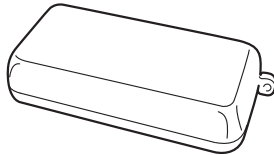
BrightLink 455Wi CD



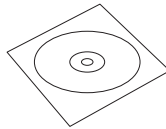
Epson Projector Software CD



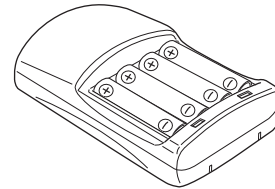
Security sticker



Pen tray



TeamBoard Draw CD

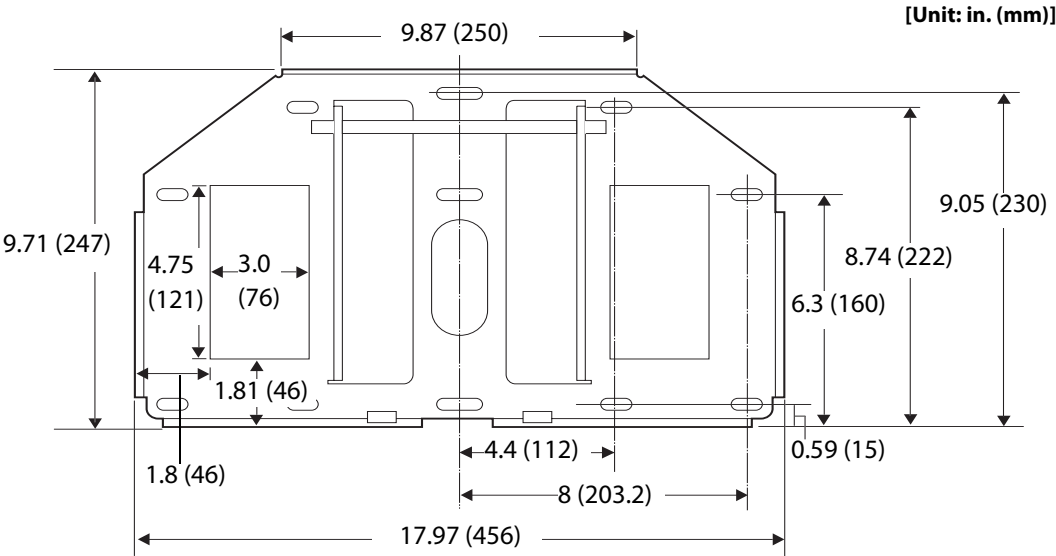


Battery charger with 4 AAA rechargeable batteries (for interactive pens)

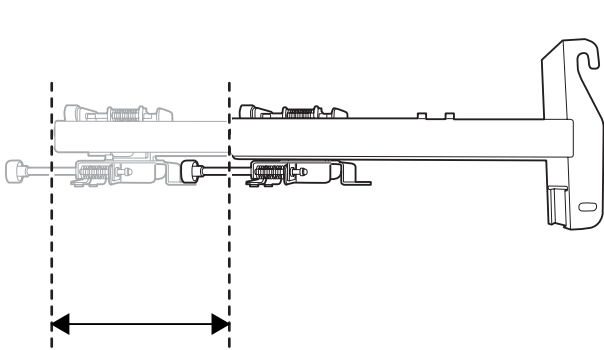
2. Specifications

Item	Specification	Remark	Reference Page
Setting plate weight	Approx. 13.89 lb (6.3 kg)	Wall plate 4.85 lb (2.2 kg) Covers and cap 1.04 lb (0.47 kg)	
Forward/backward slide adjustment range	0 to 11.81 in. (300 mm)		Refer to the figure below
Vertical slide adjustment range	4°	Minimum: 1.10 in. (28 mm) Maximum: 1.67 in. (42.5 mm)	☛ 25
Vertical tilt adjustment range	± 5°	Fine adjustments possible with adjustment dial	☛ 24
Horizontal rotation adjustment range	± 5°	Fine adjustments possible with adjustment dial	☛ 24
Horizontal roll adjustment range	± 3°	Fine adjustments possible with adjustment dial	☛ 23
Horizontal slide adjustment range	± 1.77 in. (45 mm)		Refer to the figure below

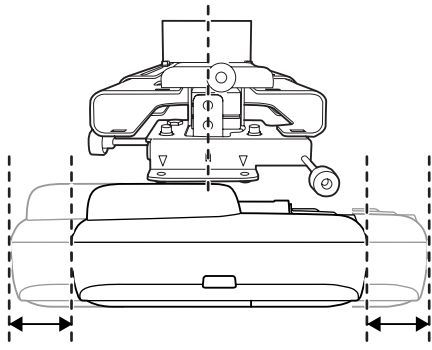
Wall plate



Setting plate adjustment range



Forward/backward slide adjustment range:
0 to 11.81 in. (300 mm)

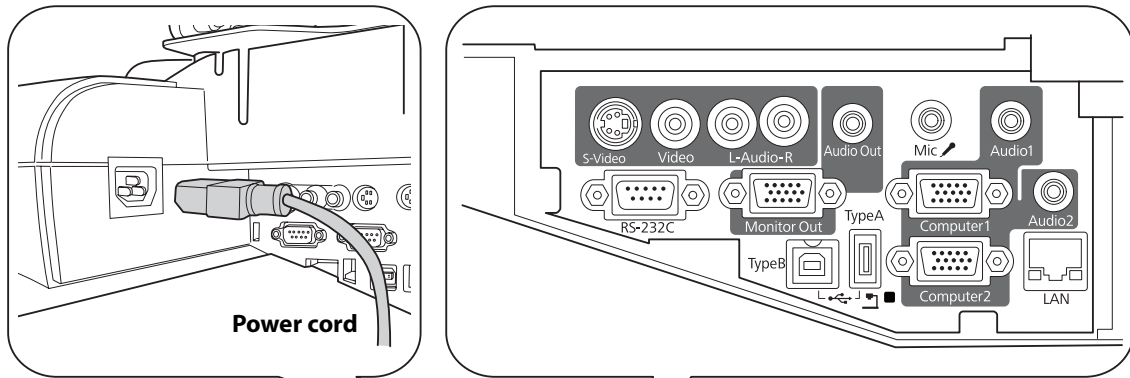


Horizontal slide adjustment range:
± 1.77 in. (45 mm)

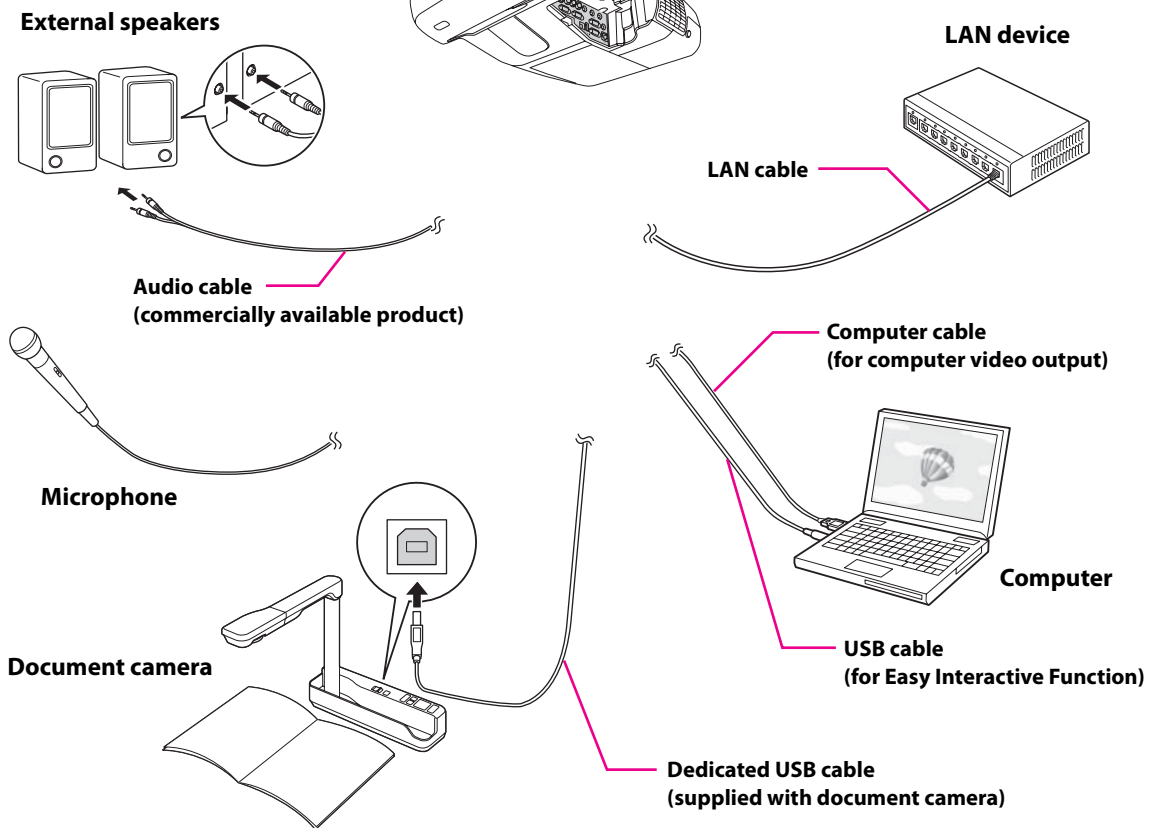
3. Connecting Devices

Make sure you have the power cable, computer cable, USB cable, and other parts at the location where the setting plate is to be installed.

Make sure you have all necessary cables for any devices, such as a document camera or microphone, that you will connect to the projector.



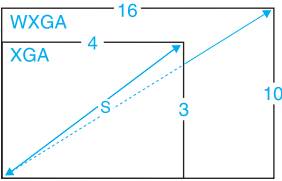
Connection Example



4. Positioning the Projector

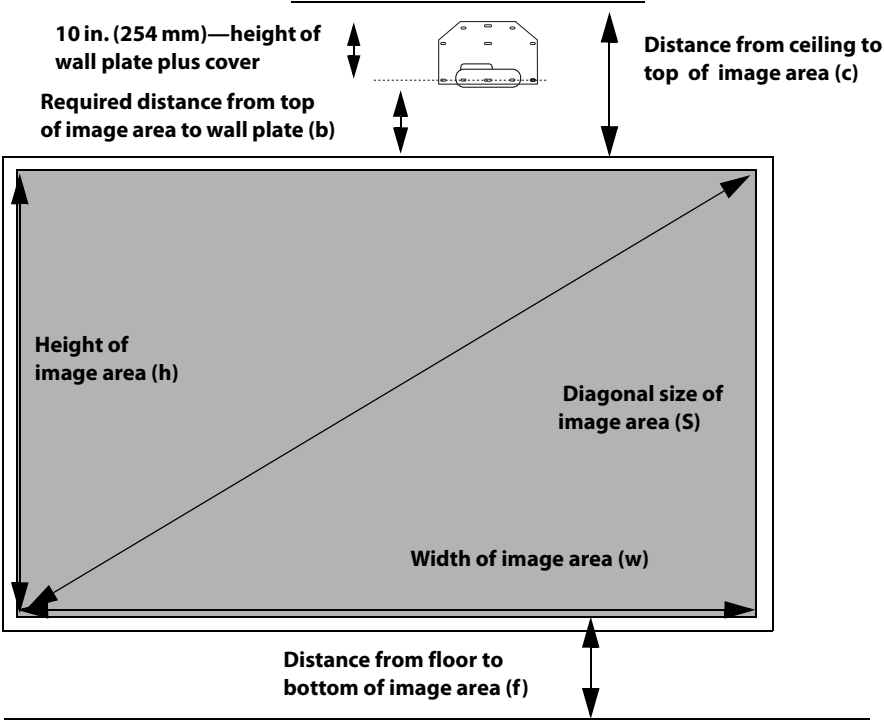
The BrightLink 455Wi can project up to 96 inches diagonally for a WXGA image or 85 inches diagonally for an XGA image. You can project onto a pre-installed whiteboard or directly onto a plain wall. The height of the included wall mount determines the maximum image size and how high the image appears on the wall or whiteboard. The distance of the projector from the wall (once it is mounted on the adjustable arm of the setting plate) also affects image size and position.

If you are planning to project on a whiteboard, the image may not fill the entire board, depending on the aspect ratio. If you match the image height to the board's height, gaps may appear on the sides of the board. Use the following worksheets to determine the proper location of the wall plate on the wall. If you are projecting onto a pre-installed whiteboard, use the worksheet below. If you are projecting on a plain wall, use the worksheet on page 10.



Installation worksheet for projecting on a pre-installed wall-mounted board

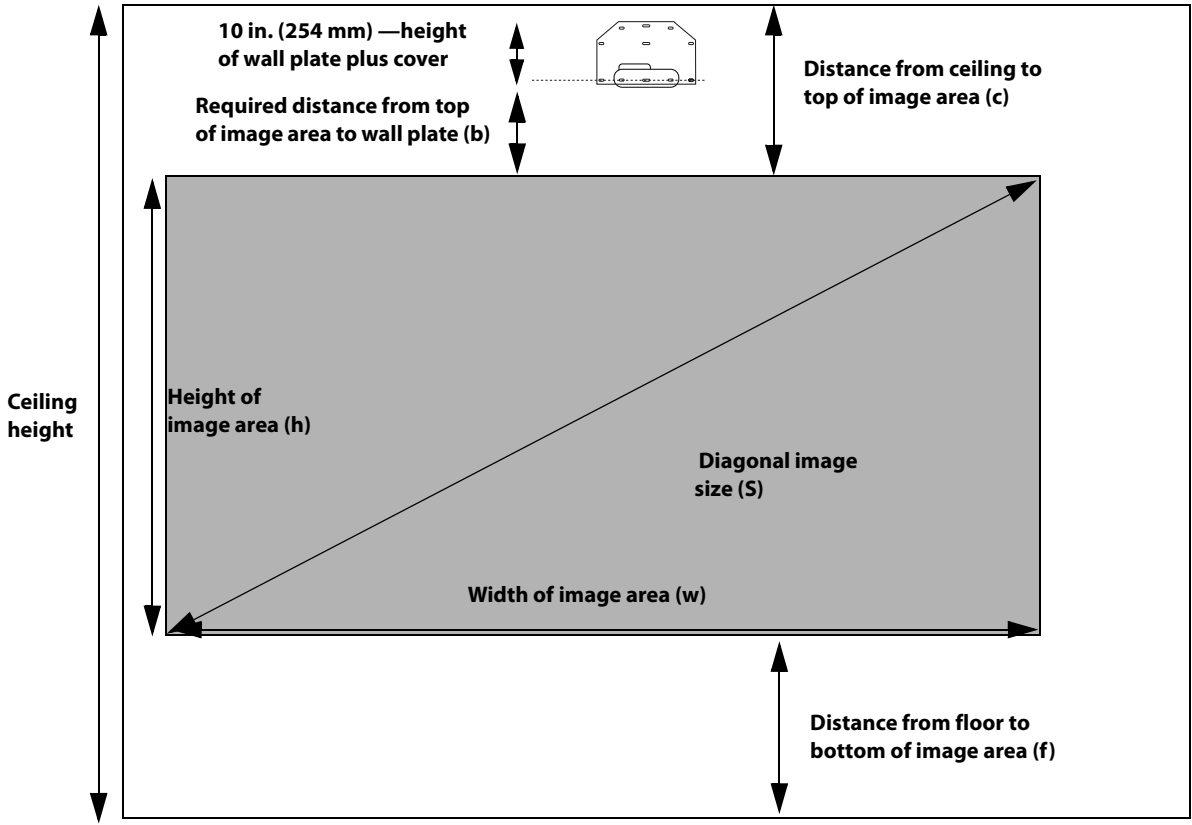
- (1) Measure the ceiling height (distance from the floor to the ceiling). _____
- (2) Measure the height of the board's image area (h). _____ (h)
- (3) Measure the width of the board's image area (w). _____ (w)
- (4) Measure the distance from the floor to the bottom of the board's image area (f). _____ (f)
- (5) Measure the distance from the ceiling to the top of the board's image area (c). _____ (c)
- (6) Measure the thickness of the board (x). _____ (x)



- (7) Determine the aspect ratio of the board or of the images that will be projected. For new computers or laptops, this will most likely be WXGA (16:10). For older equipment, this will most likely be XGA (4:3). You may need to consult your IT director for this information.
- 4:3 XGA 16:10 WXGA 16:9 Widescreen
- (8) Using the tables on pages 12 to 15 for your aspect ratio and desired image height (h), find the required distance between the top of the image area and the wall plate (b). _____ (b)
- (9) Determine the position for your projector installation by adding the values for (f), (h), and (b), plus an additional 10 inches for the height of the wall plate plus the cover. _____ (f)
 _____ (h)
 _____ (b)
 If the ceiling height of your room (as noted in step 1) does not meet the minimum ceiling height required for your board, you may need to select a smaller image size or move the board to a lower position on the wall. +10 inches
 _____ total
- (10) After confirming your image size, use tape or a pencil to mark the distance (b) from the top of the image area on the board to the bottom of the wall plate.
- (11) Align the ★ line (horizontal) on the template sheet with the (b) mark, then align the center line on the template sheet with the center of the image area. Follow the instructions on page 17 to install the projector.

Installation worksheet for projecting on a plain wall

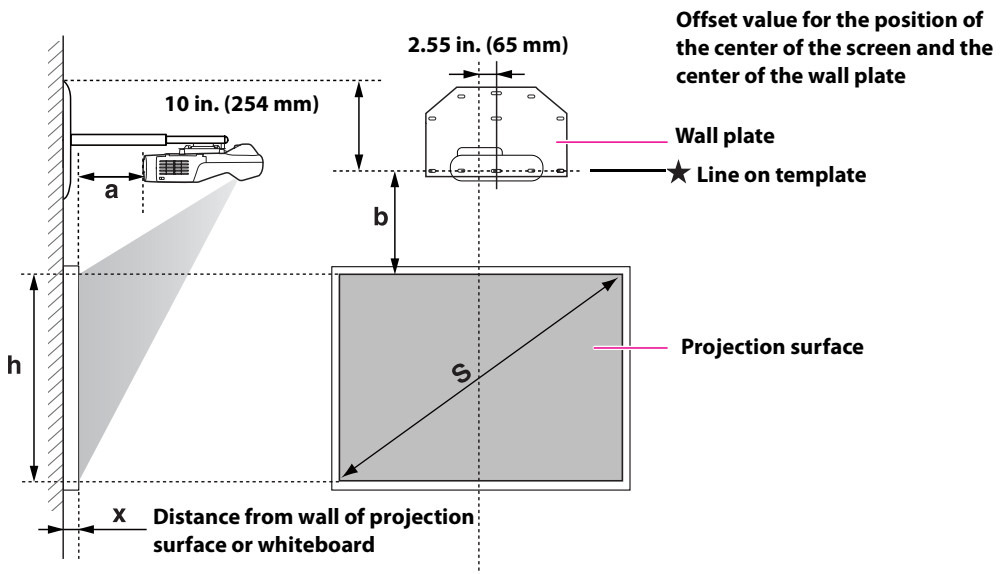
- (1) Measure the ceiling height (distance from the floor to the ceiling). _____
- (2) Determine the desired aspect ratio of the image. For new computers or laptops, this will most likely be WXGA (16:10). For older equipment, this will most likely be XGA (4:3). You may need to consult your IT director for this information.
- 4:3 XGA 16:10 WXGA 16:9 Widescreen
- (3) Using the tables on pages 12 to 15 for your aspect ratio, select the largest image size available for your ceiling height.
- Image height (h) _____ (h)
 Image width (w) _____ (w)
- (4) Determine the desired distance from the floor to the bottom of the image area (f). _____ (f)
 The recommended minimum distance is 30 inches. Images appearing less than 28 inches from the floor may be obstructed for some viewers.
- (5) Find the top of the projected image area by adding distances (f) and (h). _____
- (6) Use the tables on pages 12 to 15 to determine the required distance from the top of the image area to the bottom of the wall plate (b). _____ (b)
- (7) Add:
 Required distance from top of image area to wall plate (b) _____ (b)
 Height of image area (h) _____ (h)
 Distance from floor to bottom of image area (f) _____ (f)
 Height of wall plate plus cover +10 inches
 If the total exceeds the ceiling height, you will need to reduce the image size or reduce the distance from the floor to the bottom of the image area. _____ total



- (8) After confirming your image size, use tape or a pencil to mark the distance (b) from the top of the image area on the board to the bottom of the wall plate.
- (9) Align the ★ line (horizontal) on the template sheet with the (b) mark, then align the center line on the template sheet with the center of the image area. Follow the instructions on page 17 to install the projector.

The tables on the following pages provide installation information for all supported image sizes. The minimum ceiling height is based on an image 30 inches from the floor; if the image is lower, the minimum ceiling height is reduced by the corresponding measurement.

Use the worksheets, the illustration below, and the information in the tables on the following pages to determine the projection distance and placement of the wall plate. The recommended range for projection distance (a) is 2.76 to 14.57 inches (7 to 37 cm).



Installation measurements in inches

Diagonal image size (S)	16:10 WXGA				4:3 XGA				16:9 Widescreen						
	Min. ceiling height*	Image width (w)	Image height (h)	Min. projection distance (a)	Distance from top of image to wall plate (b)	Min. ceiling height*	Image width (w)	Image height (h)	Min. projection distance (a)	Distance from top of image to wall plate (b)	Min. ceiling height*	Image width (w)	Image height (h)	Min. Projection distance (a)	Distance from top of image to wall plate (b)
55"	—	—	—	—	—	83.8	44.0	33.0	3.7	10.8	—	—	—	—	—
56"	—	—	—	—	—	84.6	44.8	33.6	4.1	11.0	—	—	—	—	—
57"	—	—	—	—	—	85.4	45.6	34.2	4.4	11.2	—	—	—	—	—
58"	—	—	—	—	—	86.2	46.4	34.8	4.8	11.4	—	—	—	—	—
59"	81.6	50.0	31.3	2.7	10.3	86.9	47.2	35.4	5.2	11.5	—	—	—	—	—
60"	82.3	50.9	31.8	3.0	10.5	87.7	48.0	36.0	5.5	11.7	81.8	52.3	29.4	3.5	12.4
61"	83.0	51.7	32.3	3.3	10.6	88.5	48.8	36.6	5.9	11.9	82.5	53.2	29.9	3.9	12.6
62"	83.7	52.6	32.9	3.6	10.8	89.3	49.6	37.2	6.2	12.1	83.1	54.0	30.4	4.2	12.8
63"	84.3	53.4	33.4	4.0	11.0	90.0	50.4	37.8	6.6	12.2	83.8	54.9	30.9	4.5	12.9
64"	85.0	54.3	33.9	4.4	11.1	90.8	51.2	38.4	7.0	12.4	84.5	55.8	31.4	4.8	13.1
65"	85.7	55.1	34.4	4.6	11.3	91.6	52.0	39.0	7.3	12.6	85.2	56.7	31.9	5.2	13.3
66"	86.4	56.0	35.0	4.9	11.4	92.4	52.8	39.6	7.7	12.8	85.9	57.5	32.4	5.5	13.5
67"	87.1	56.8	35.5	5.2	11.6	93.1	53.6	40.2	8.0	12.9	86.5	58.4	32.8	5.8	13.7
68"	87.8	57.7	36.0	5.5	11.7	93.9	54.4	40.8	8.4	13.1	87.2	59.3	33.3	6.2	13.9
69"	88.4	58.5	36.6	5.9	11.9	94.7	55.2	41.4	8.8	13.3	87.9	60.1	33.8	6.5	14.1
70"	89.1	59.4	37.1	6.2	12.0	95.5	56.0	42.0	9.1	13.5	88.6	61.0	34.3	6.8	14.2
71"	89.8	60.2	37.6	6.5	12.2	96.2	56.8	42.6	9.5	13.6	89.2	61.9	34.8	7.2	14.4
72"	90.5	61.1	38.2	6.8	12.3	97.0	57.6	43.2	9.8	13.8	89.9	62.8	35.3	7.5	14.6
73"	91.2	61.9	38.7	7.1	12.5	97.8	58.4	43.8	10.2	14.0	90.6	63.6	35.8	7.8	14.8
74"	91.9	62.8	39.2	7.5	12.7	98.6	59.2	44.4	10.6	14.2	91.3	64.5	36.3	8.1	15.0
75"	92.6	63.6	39.7	7.8	12.8	99.3	60.0	45.0	10.9	14.3	91.9	65.4	36.8	8.4	15.2
76"	93.2	64.4	40.3	8.1	13.0	100.1	60.8	45.6	11.3	14.5	92.6	66.2	37.3	8.8	15.4

Diagonal image size (S)	16:10 WXGA					4:3 XGA					16:9 Widescreen				
	Min. ceiling height*	Image width (w)	Image height (h)	Min. projection distance (a)	Distance from top of image to wall plate (b)	Min. ceiling height*	Image width (w)	Image height (h)	Min. projection distance (a)	Distance from top of image to wall plate (b)	Min. ceiling height*	Image width (w)	Image height (h)	Min. projection distance (a)	Distance from top of image to wall plate (b)
77"	93.9	65.3	40.8	8.4	13.1	100.9	61.6	46.2	11.7	14.7	93.3	67.1	37.8	9.1	15.5
78"	94.6	66.1	41.3	8.7	13.3	101.7	62.4	46.8	12.0	14.9	94.0	68.0	38.2	9.4	15.7
79"	95.3	67.0	41.9	9.0	13.4	102.4	63.2	47.4	12.4	15.0	94.6	68.9	38.7	9.7	15.9
80"	96.0	67.8	42.4	9.4	13.6	103.2	64.0	48.0	12.7	15.2	95.3	69.7	39.2	10.1	16.1
81"	96.7	68.7	42.9	9.7	13.7	104.0	64.8	48.6	13.1	15.4	96.0	70.6	39.7	10.4	16.3
82"	97.3	69.5	43.5	10.0	13.9	104.8	65.6	49.2	13.5	15.6	96.7	71.5	40.2	10.7	16.5
83"	98.0	70.4	44.0	10.3	14.0	105.5	66.4	49.8	13.8	15.7	97.4	72.3	40.7	11.1	16.7
84"	98.7	71.2	44.5	10.6	14.2	106.3	67.2	50.4	14.2	15.9	98.0	73.2	41.2	11.4	16.9
85"	99.4	72.1	45.0	11.0	14.4	107.1	68.0	51.0	14.5	16.1	98.7	74.1	41.7	11.7	17.0
86"	100.1	72.9	45.6	11.3	14.5	—	—	—	—	—	99.4	75.0	42.2	12.0	17.2
87"	100.8	73.8	46.1	11.6	14.7	—	—	—	—	—	100.1	75.8	42.7	12.4	17.4
88"	101.5	74.6	46.6	11.9	14.8	—	—	—	—	—	100.7	76.7	43.1	12.7	17.6
89"	102.1	75.5	47.2	12.2	14.9	—	—	—	—	—	101.4	77.6	43.6	13.0	17.9
90"	102.8	76.3	47.7	12.6	15.1	—	—	—	—	—	102.1	78.4	44.1	13.3	18.0
91"	103.5	77.2	48.2	12.9	15.3	—	—	—	—	—	102.8	79.3	44.6	13.7	18.2
92"	104.2	78.0	48.8	13.2	15.4	—	—	—	—	—	103.4	80.2	45.1	14.0	18.3
93"	104.9	78.9	49.3	13.5	15.6	—	—	—	—	—	104.1	81.1	45.6	14.3	18.5
94"	105.6	79.7	49.8	13.8	15.8	—	—	—	—	—	—	—	—	—	—
95"	106.3	80.6	50.3	14.2	15.9	—	—	—	—	—	—	—	—	—	—
96"	106.9	81.4	50.9	14.5	16.1	—	—	—	—	—	—	—	—	—	—

* Based on an image 30 inches from the floor; if the image is lower, the minimum ceiling height is reduced by the corresponding measurement.

Installation measurements in millimeters

Diagonal image size (S)	16:10 WXGA				4:3 XGA				16:9 Widescreen						
	Min. ceiling height*	Image width (w)	Image height (h)	Min. projection distance (a)	Distance from top of image to wall plate (b)	Min. ceiling height*	Image width (w)	Image height (h)	Min. projection distance (a)	Distance from top of image to wall plate (b)	Min. ceiling height*	Image width (w)	Image height (h)	Min. Projection distance (a)	Distance from top of image to wall plate (b)
55"	—	—	—	—	—	2129	1118	838	94	275	—	—	—	—	—
56"	—	—	—	—	—	2149	1138	853	104	280	—	—	—	—	—
57"	—	—	—	—	—	2188	1158	869	113	284	—	—	—	—	—
58"	—	—	—	—	—	2208	1179	884	122	289	—	—	—	—	—
59"	2073	1271	794	68	262	2228	1199	899	131	293	—	—	—	—	—
60"	2090	1292	808	76	266	2248	1219	914	140	297	2078	1328	747	90	314
61"	2107	1314	821	84	270	2267	1240	930	149	302	2095	1350	760	98	319
62"	2125	1335	835	92	274	2287	1260	945	158	306	2112	1373	772	106	324
63"	2142	1357	848	100	278	2307	1280	960	168	311	2129	1395	785	114	329
64"	2160	1379	862	108	282	2326	1300	975	177	315	2146	1417	797	123	333
65"	2177	1400	875	117	286	2346	1321	991	186	320	2163	1439	809	131	338
66"	2194	1422	888	125	290	2366	1341	1006	195	324	2181	1461	822	139	343
67"	2212	1443	902	133	294	2385	1361	1021	204	329	2198	1483	834	148	348
68"	2229	1465	915	141	298	2405	1382	1036	213	333	2215	1505	847	156	352
69"	2247	1486	929	149	302	2425	1402	1052	223	338	2232	1528	859	164	357
70"	2264	1508	942	157	306	2444	1422	1067	232	342	2249	1550	872	173	362
71"	2281	1529	956	165	310	2464	1443	1082	241	346	2267	1572	884	181	366
72"	2299	1551	969	173	313	2487	1463	1097	250	351	2284	1594	897	189	371
73"	2316	1572	983	181	317	2504	1483	1113	259	355	2301	1616	909	198	376
74"	2334	1594	996	189	321	2523	1504	1128	268	360	2318	1638	921	206	381
75"	2351	1615	1010	197	325	2510	1524	1143	277	364	2335	1660	934	214	385
76"	2368	1637	1023	205	329	2543	1544	1158	287	369	2352	1682	946	223	390

Diagonal image size (S)	16:10 WXGA						4:3 XGA						16:9 Widescreen					
	Min. ceiling height*	Image width (w)	Image height (h)	Min. projection distance (a)	Distance from top of image to wall plate (b)		Min. ceiling height*	Image width (w)	Image height (h)	Min. projection distance (a)	Distance from top of image to wall plate (b)		Min. ceiling height*	Image width (w)	Image height (h)	Min. projection distance (a)	Distance from top of image to wall plate (b)	
77"	2386	1659	1037	214	333		2563	1565	1173	296	373		2370	1705	959	231	395	
78"	2403	1680	1050	222	337		2582	1585	1189	305	378		2387	1727	971	239	400	
79"	2420	1702	1063	230	341		2602	1605	1204	314	382		2404	1749	984	247	404	
80"	2438	1723	1077	238	345		2622	1626	1219	323	389		2421	1771	996	256	409	
81"	2455	1745	1090	246	349		2641	1646	1234	332	391		2438	1793	1009	264	414	
82"	2473	1766	1104	254	353		2661	1666	1250	342	395		2456	1815	1021	272	418	
83"	2490	1788	1117	262	357		2681	1687	1265	351	400		2473	1837	1034	281	423	
84"	2507	1809	1131	270	361		2700	1707	1280	360	404		2490	1860	1046	289	428	
85"	2525	1831	1144	278	365		2720	1727	1295	369	409		2507	1882	1058	297	433	
86"	2542	1852	1158	286	369		—	—	—	—	—		2524	1904	1071	306	437	
87"	2560	1874	1171	294	372		—	—	—	—	—		2542	1926	1083	314	442	
88"	2577	1895	1185	303	376		—	—	—	—	—		2559	1948	1096	322	447	
89"	2594	1917	1198	311	380		—	—	—	—	—		2576	1970	1108	331	452	
90"	2612	1939	1212	319	384		—	—	—	—	—		2593	1992	1121	339	456	
91"	2629	1960	1225	327	388		—	—	—	—	—		2610	2015	1133	347	461	
92"	2647	1982	1239	335	392		—	—	—	—	—		2627	2037	1146	356	466	
93"	2664	2003	1252	343	396		—	—	—	—	—		2645	2059	1158	364	471	
94"	2681	2025	1265	351	400		—	—	—	—	—		—	—	—	—	—	
95"	2699	2046	1279	359	404		—	—	—	—	—		—	—	—	—	—	
96"	2716	2068	1292	367	408		—	—	—	—	—		—	—	—	—	—	

* Based on an image 762 mm from the floor; if the image is lower, the minimum ceiling height is reduced by the corresponding measurement.

If you have a pre-existing whiteboard, refer to the table below to identify common models and sizes. If your board is listed here, use the dimensions to reference the installation requirements found on pages 12 to 15.

Interactive whiteboard sizes

Diagonal size	16:10 WXGA	4:3 XGA	16:9 Widescreen
60 inches	—	—	RM ClassBoard2 60
63 inches	—	Hitachi® StarBoard FX-63	—
64 inches	—	SMART Board 660 Promethean ActivBoard 164	—
71 inches	—	—	INTERWRITE BOARD 1071
77 inches	—	Hitachi Cambridge Board 77 Hitachi StarBoard FX-77 SMART Board 680	—
77.5 inches	—	RM ClassBoard2 77.5 INTERWRITE® BOARD 1077	—
78 inches	PolyVision® TS 600/ TS610 / TSL610/ENO 2610	PolyVision TS610 Promethean ActivBoard 178 / 378	—
82 inches	—	—	Hitachi StarBoard FX-82W
85 inches	—	—	INTERWRITE BOARD 1085
87 inches	SMART Board™ 685 Promethean ActivBoard 387	—	—
93 inches	—	—	PolyVision ENO 2810
94 inches	—	—	SMART Board 690
96 inches	Epson BrightLink 455Wi	—	—

5. Installing the Projector

Make sure to follow the steps below to install the setting plate. If you ignore these steps, the setting plate could fall and cause personal injury or property damage.

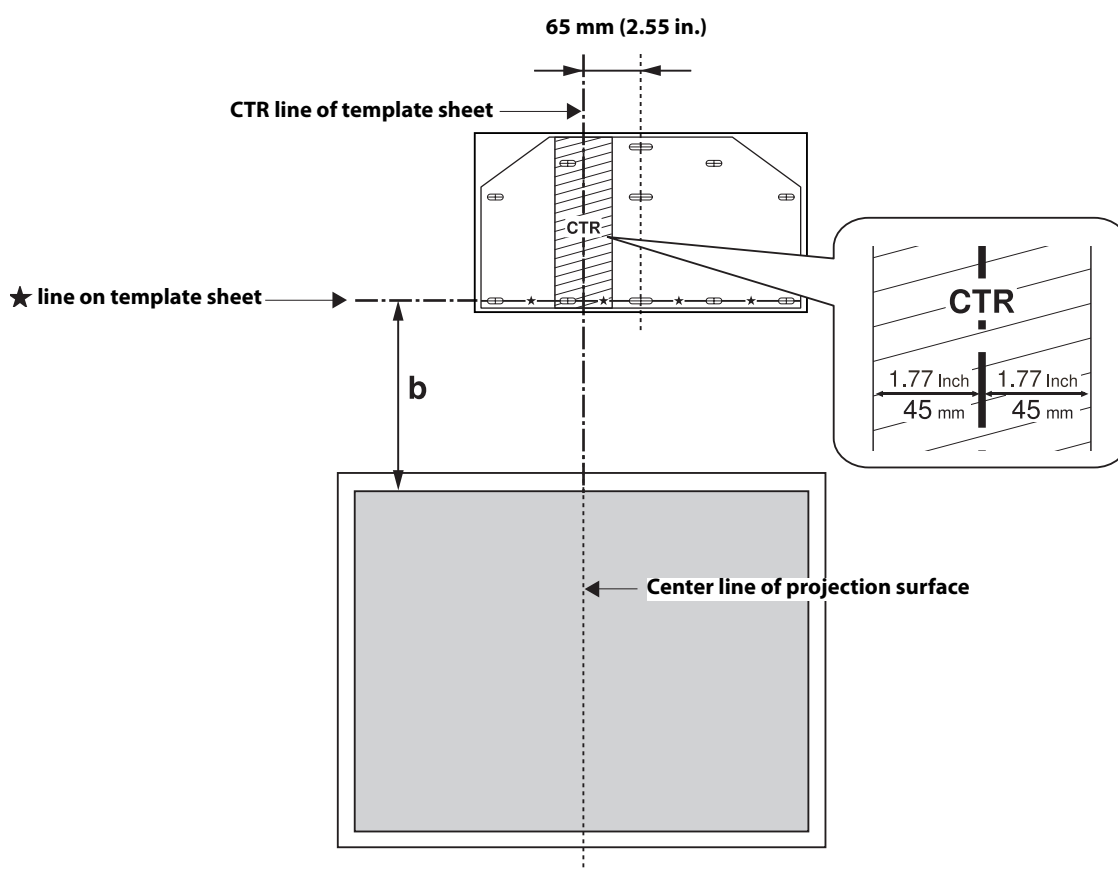
The maximum combined weight of the setting plate and the projector is approximately 33.5 lb (15.2 kg). When you install the setting plate, calculate the permissible weight, carefully check the construction, material, and strength of the wall, and perform the installation properly using the most appropriate method.

1 Install the wall plate on the wall

- (1) Determine the template sheet position.
 - From the tables on pages 12 to 15, confirm the screen size (S) and the distance between the projection surface and wall plate (b).
 - Align the CTR line (vertical) of the template sheet with the center line (vertical) of the projection surface.

Confirm where the beams or studs are within the wall, and shift the position left or right as necessary. The position can be shifted horizontally left or right from the center line of the projection surface by up to 1.77 in. (45 mm).

 - Align the ★ line (horizontal) on the template with the height of (b).



Warning

- ❑ When you mount the projector on the wall with the setting plate, the wall needs to be strong enough to hold the projector and the setting plate. Confirm the weight of the projector and the setting plate before installation, and maintain the strength of the wall. If the wall is not strong enough, reinforce the wall before installation.
- ❑ Install the setting plate so that it can sufficiently support the weight of the projector and setting plate, and resist any horizontal vibration. Use M8 nuts and bolts. Nuts and bolts smaller than M8 could cause the setting plate to fall.
- ❑ Epson takes no responsibility for any damage or injury caused by incorrect installation.

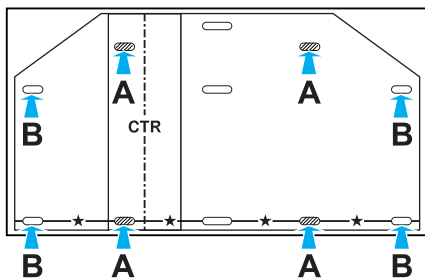
- (2) Attach the template sheet to the wall.

If you need to install a junction box, you can use the cutout areas in the wall plate for the box. The junction box needs to be recessed into the wall if you want to use the wall plate cover.

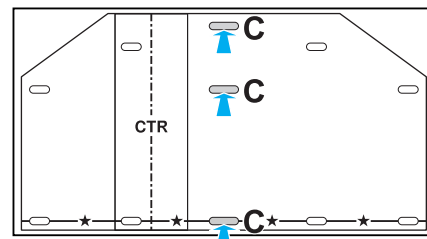
- (3) Make mounting holes in the wall in the required locations.

The wall plate needs to be secured by commercially available anchors or lag bolts in the following places. It is recommended that the wall plate be secured in at least three places.

- If securing the wall plate in four places, make the holes indicated by A or B in the figure.
- If securing the wall plate in three places, make the holes indicated by C in the figure.



Four mounting holes



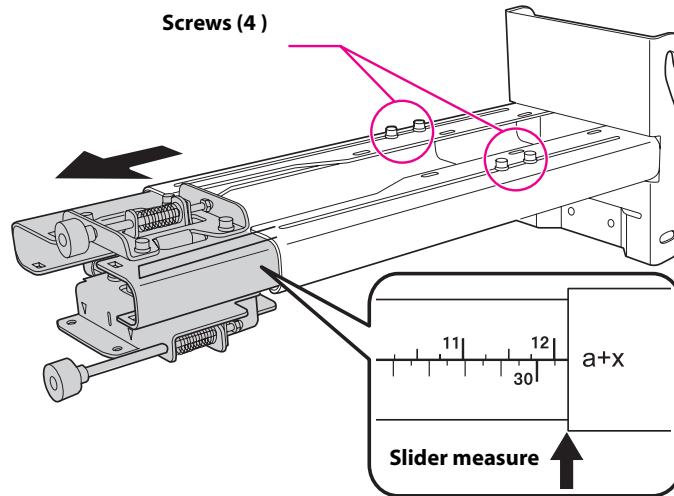
Three mounting holes

- (4) Remove the template sheet.
(5) Mount the wall plate on the wall.

Determine the projection distance and pull out the slider

- (1) Using the tables on pages 12 to 15, calculate the distance (a) from the projection surface to the front of the projector.
(2) Loosen the four screws and pull out the slider on the setting plate.

Align the slider with the mark on the slider measure that is a distance (a+x) equivalent to the distance (a) plus the thickness of the board (x). See the tables on pages 12 to 15. The recommended range for projection distance (a) is 2.76 to 14.57 in. (7 to 37 cm).



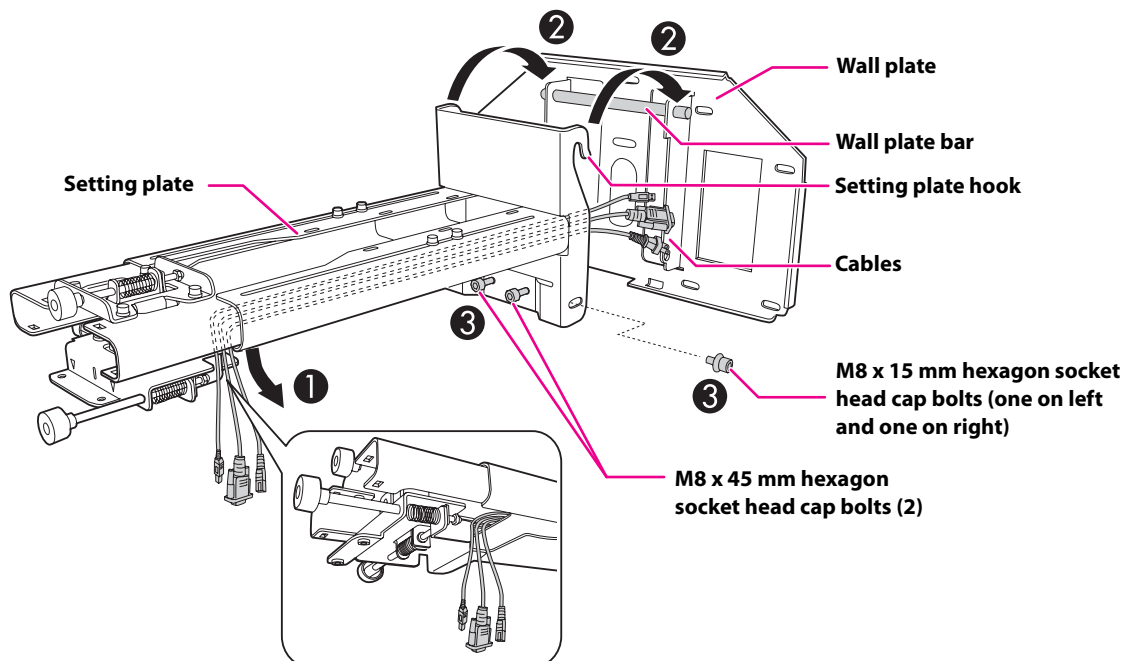
3 Attach the setting plate to the wall plate

- (1) Position the cables between the two screws and pass the cables through the setting plate (1).
- (2) Hang the setting plate hook onto the wall plate bar (2).

⚠ Caution
Take care not to trap the cables between the setting plate and wall plate.

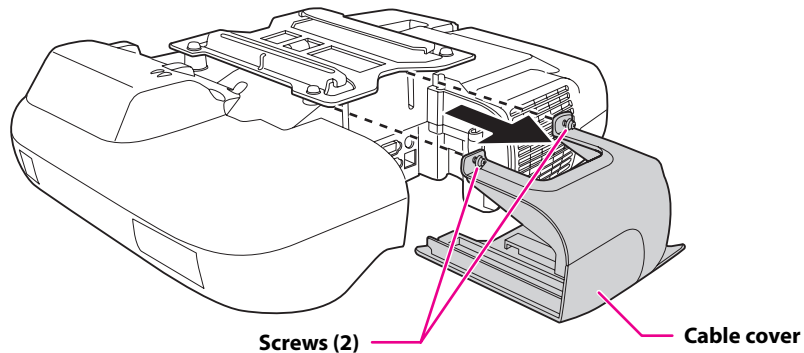
- (3) Tighten the two M8 x 15 mm hexagon socket head cap bolts and two M8 x 45 mm hexagon socket head cap bolts supplied with the setting plate so that the setting plate becomes vertical against the wall (3).

Use the two M8 x 45 mm hexagon socket head cap bolts to adjust the vertical position.
 🔧 25

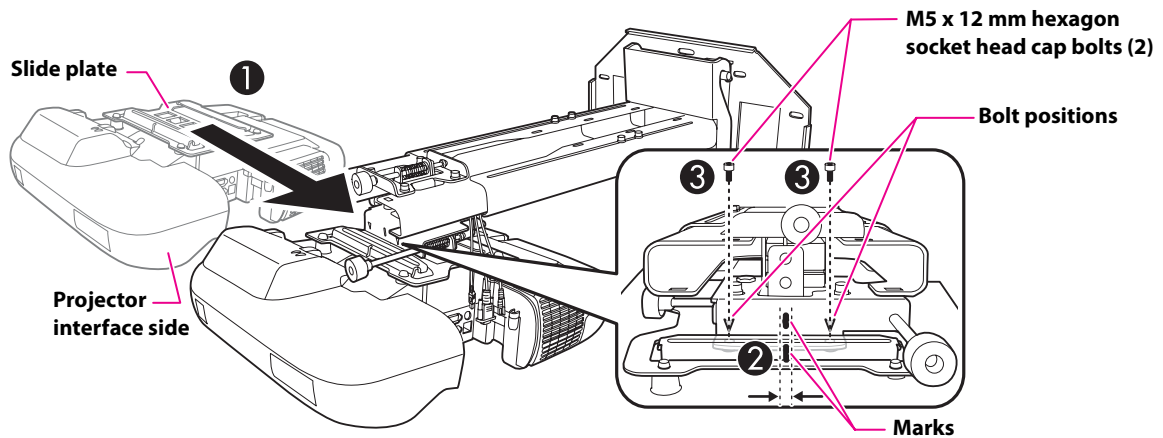


4 Secure the projector to the setting plate

- (1) Loosen the two screws and remove the cable cover from the projector.



- (2) Insert the slide plate into the setting plate from the interface side of the projector (1). Align the marks on the projector and the setting plate (2).



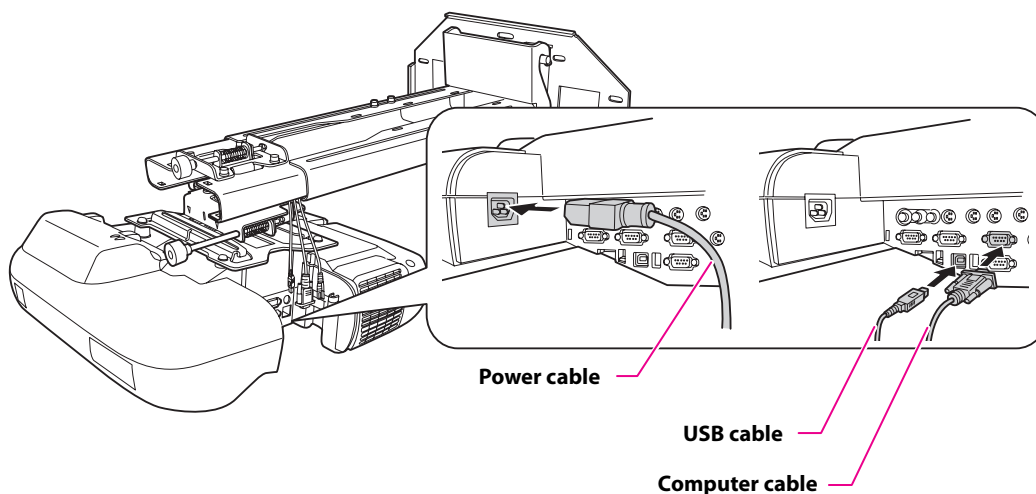
- (3) Tighten the two M5 x 12 mm hexagon socket head cap bolts (3).

Warning

If you use adhesives to prevent the screws from loosening or things such as lubricants or oils on the slide plate, the case may crack and cause the projector to fall, resulting in personal injury or property damage. Do not use adhesives, lubricants, or oils to install or adjust the setting plate.

5 Connect the power cable and other cables to the projector

Connect any necessary cables such as the power cable, computer cable, and USB cable to the projector.



If you are planning to run the cables inside the wall, make sure you follow all local electrical codes. If you are running the cables outside the wall, use a cable management system to keep the cables from obstructing the image. An optional cable management system is available from Epson (part # ELPCK01).

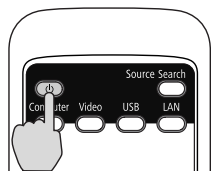
6. Adjusting the Image

To ensure maximum projection screen quality, follow the steps below to adjust the projected image.

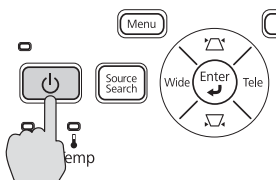
Do not make adjustments with the Keystone function of the projector. Doing so may result in a reduction in image quality.

1 Turn on the projector

Using Remote Control



Using Control Panel



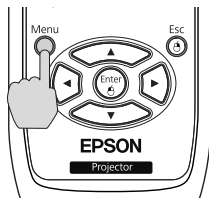
2 Display the test pattern

Press the **Menu** button and select the Settings menu - Pattern - Test Pattern. The test pattern is optimized for a WXGA (16:10) image. If you want to change the aspect ratio, you need to connect a computer and project an actual image, preferably a pattern that fills the whole screen.

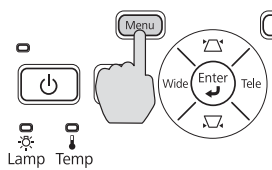
To project an image from a laptop, you may need to Hold down the **Fn** key on the keyboard and press the function key that lets you display on an external monitor. It may have an icon, or it may be labelled **CRT/LCD**. You may need to hold down the **Fn** key while pressing it.

👉 **User's Guide for the projector: Settings menu**

Using Remote Control



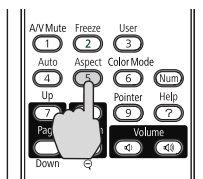
Using Control Panel



3 Change the aspect ratio if necessary

You must connect a computer before you can change the aspect ratio. Each time you press the **Aspect** button on the remote control, the aspect name is displayed on the screen and the aspect ratio changes. Change the setting according to the signal for the connected equipment.

Remote Control



Aspect Ratio



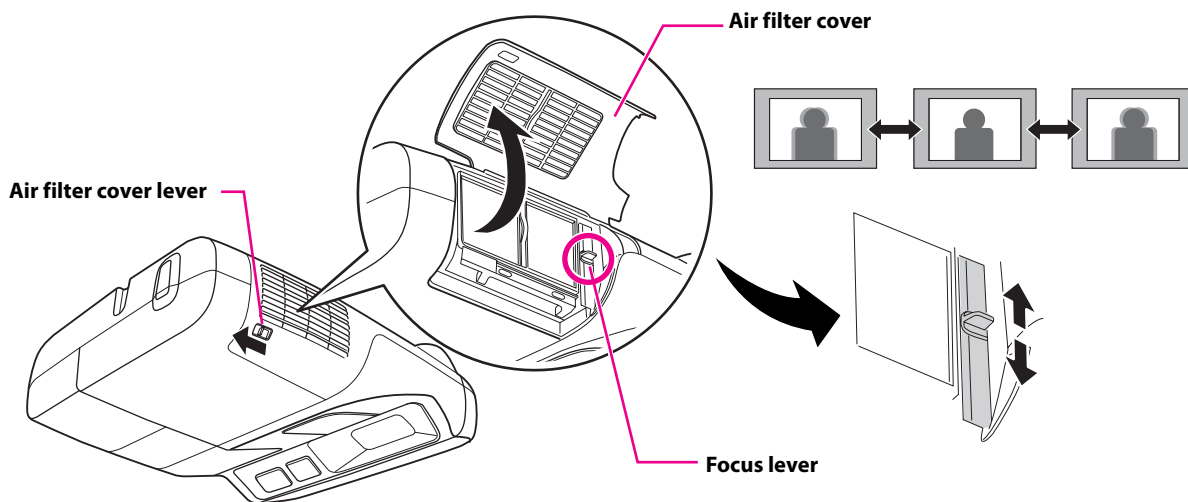
Alternatively, set the aspect ratio from the Signal menu - Aspect. Following is a list of available aspect settings:

- **Normal:** Displays images using the full projection area and maintains the aspect ratio of the image. Choose this setting to automatically resize the image and make the best use of the display area.
- **16:9:** Converts the aspect ratio of the image to 16:9. 4:3 ratio images are elongated horizontally to fit.
- **Full:** Displays images using the full width of the projection area, but does not retain the aspect ratio. 4:3 ratio images are elongated horizontally.
- **Zoom:** Displays images using the full width of the projection area and maintains the aspect ratio of the image. The image may be cut off on the top and bottom depending on its aspect ratio.
- **Native:** Displays images as is (aspect ratio and resolution are maintained). Black bands may appear or images may be cut off, depending on the resolution.

👉 **User's Guide for the projector: Configuration menu - Signal menu**

4 Adjust the focus

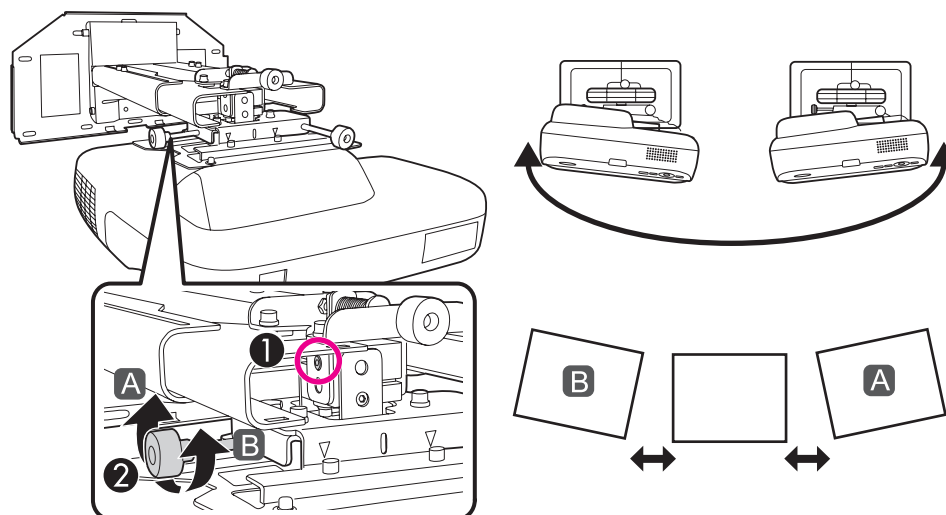
- (1) Move the air filter cover lever to open the air filter cover.
- (2) Use the focus lever to adjust the focus.



- (3) After you finish making the adjustment, close the air filter cover.
You may need to adjust the focus again after you adjust the image position.

5 Use the left adjustment dial to adjust the horizontal roll

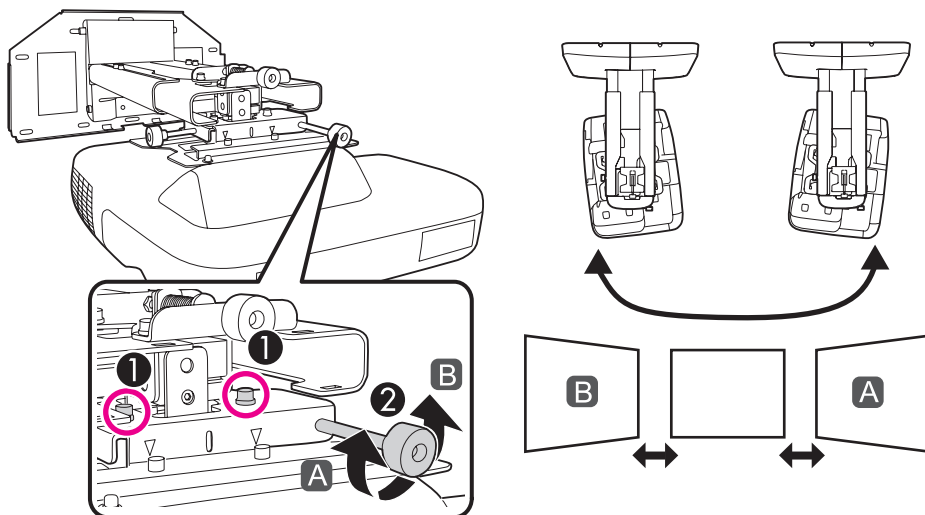
- (1) Loosen the screw that corresponds to the left adjustment dial (1).
- (2) Turn the adjustment dial to adjust the horizontal roll (2).



- (3) After you finish making all of the adjustments in steps 5 to 9, tighten the screw you loosened in 1.

6 Use the right adjustment dial to adjust the horizontal rotation

- (1) Loosen the two screws that correspond to the right adjustment dial (1).
- (2) Turn the adjustment dial to adjust the horizontal rotation (2).

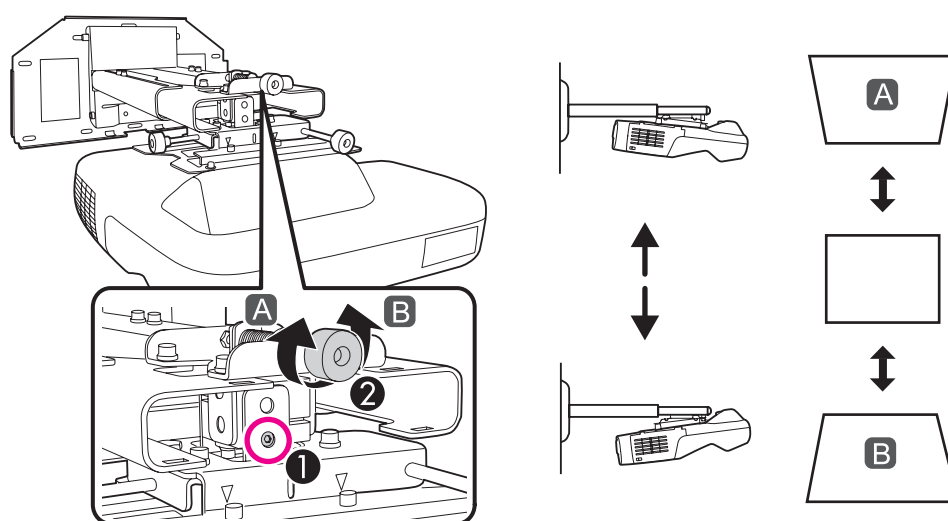


- (3) After you finish making all of the adjustments in steps (5) to (9), tighten the two screws you loosened in (1).

7 Use the top adjustment dial to adjust the vertical tilt

Repeat steps (5) to (9) as necessary.

- (1) Loosen the screw that corresponds to the top adjustment dial (1).
- (2) Turn the adjustment dial to adjust the vertical tilt (2).

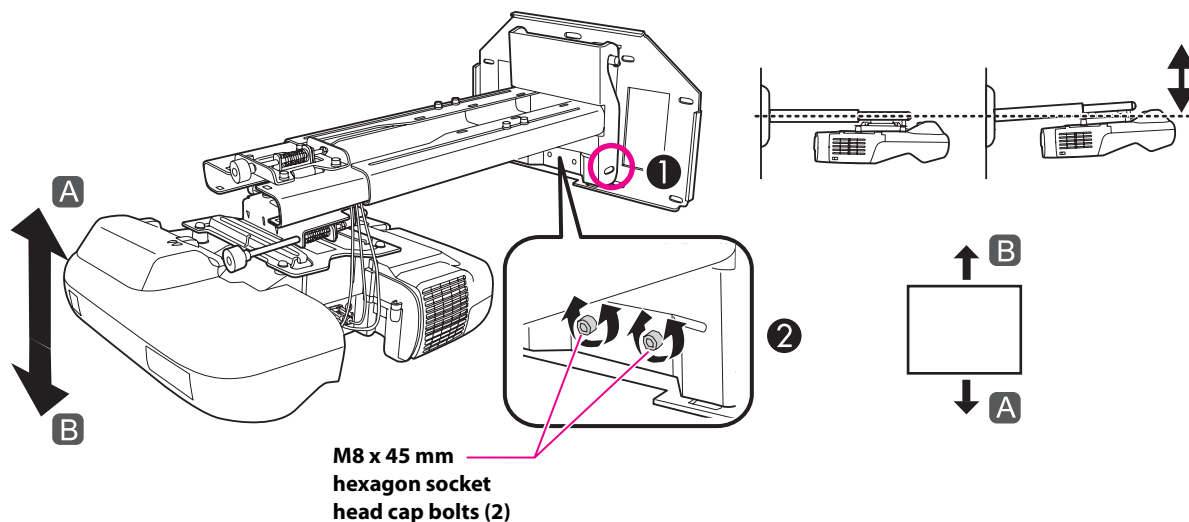


- (3) After you finish making all of the adjustments in steps (5) to (9), tighten the screw you loosened in (1).

8 Adjust the vertical position

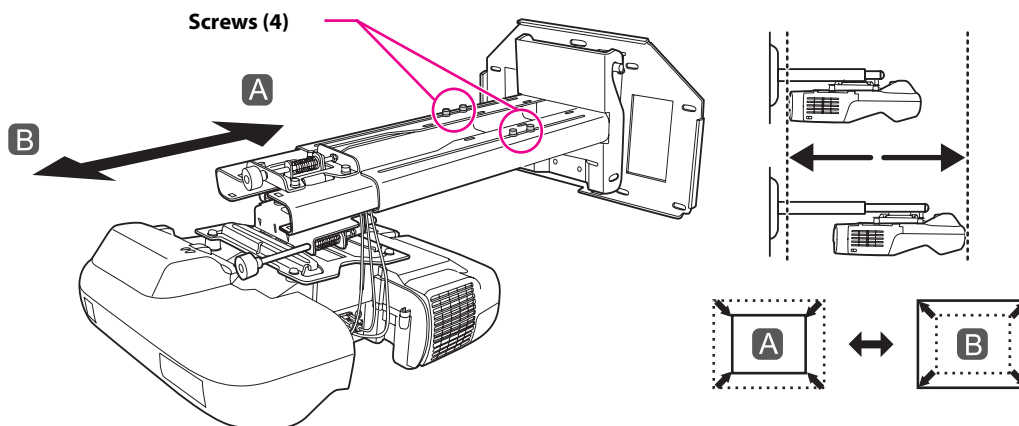
- (1) Adjust the vertical position, then tighten the two M8 x 15 mm hexagon socket head cap bolts on the sides of the setting plate (1).
- (2) Tighten the two M8 x 45 mm hexagon socket head cap bolts at the bottom of the setting plate to support your vertical adjustment (2).

The projected image is raised or lowered accordingly. After you make this adjustment, you may need to readjust the vertical tilt, as described on page 24.



9 Adjust the forward/backward slide

Loosen the four screws and adjust the slider of the setting plate.



After you finish making all of the adjustments in steps 5 to 9, tighten the screws.

10 Turn off the display of the test pattern or computer image

Press the **Esc** button on the remote control or control panel to turn off the test pattern.

Warning

Tighten all screws firmly. If the screws are not tightened firmly, the projector or setting plate may fall and cause personal injury or property damage.

7. Attaching the Covers

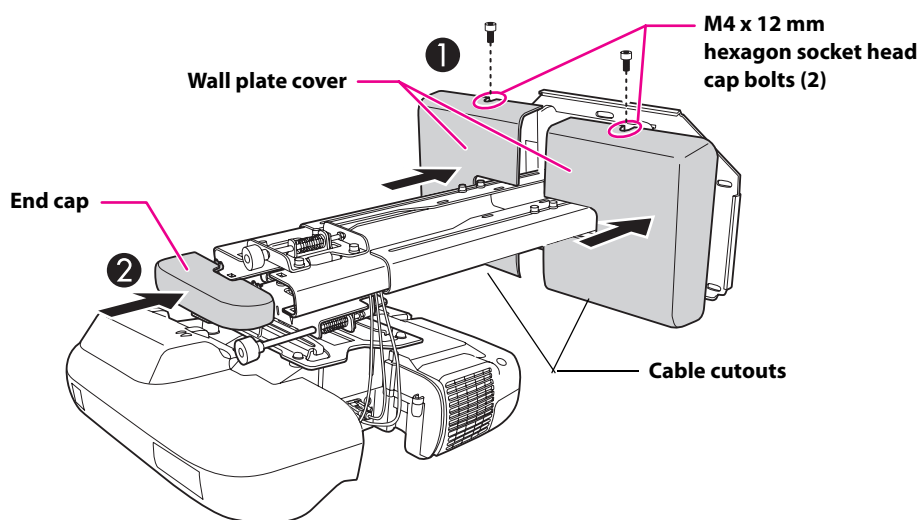
1 Attach the wall plate cover and end cap

- (1) Secure the wall plate cover with the two M4 x 12 mm hexagon socket head cap bolts (1).



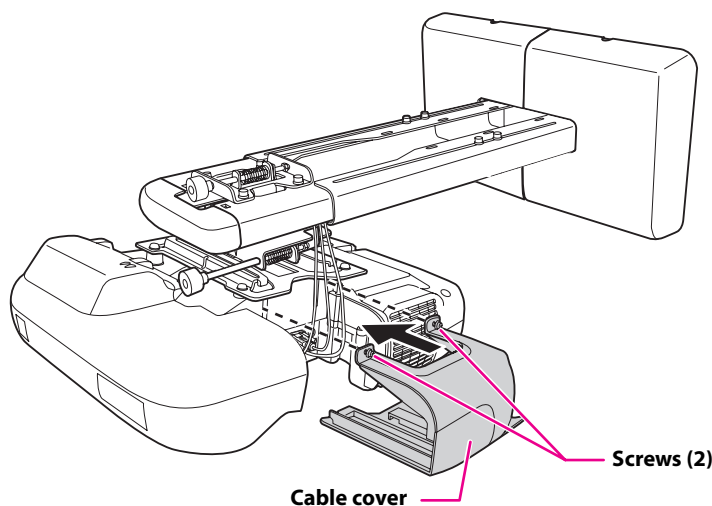
If the cables are not installed inside the wall, you need to pass them through the cutouts on each side of the wall plate cover. You may need to enlarge the cutouts to allow the cables to be passed through.

- (2) Place the end cap with the concave portion facing up (2).



2 Attach the cable cover to the projector

Attach the cable cover and tighten the two screws to secure the cable cover.



Only a specialist should remove or reinstall the projector, including for maintenance and repairs. Refer to the User's Guide of your projector for instructions on maintenance and repairs.

Warning

- ❑ Never loosen the bolts and nuts after installation. Confirm that the screws have not become loose on a regular basis. If you find any loose screws, tighten them firmly. If the screws are not tightened firmly, the projector or setting plate may fall and cause personal injury or property damage.
- ❑ Do not hang on the setting plate or hang a heavy object on the setting plate. If the projector or setting plate falls, it could cause personal injury or property damage.

8. Appendix

Using the Easy Interactive Function

After you install the projector, you need to install the Easy Interactive Driver and perform calibration (to align the positions of the cursor and Easy Interactive Pen).

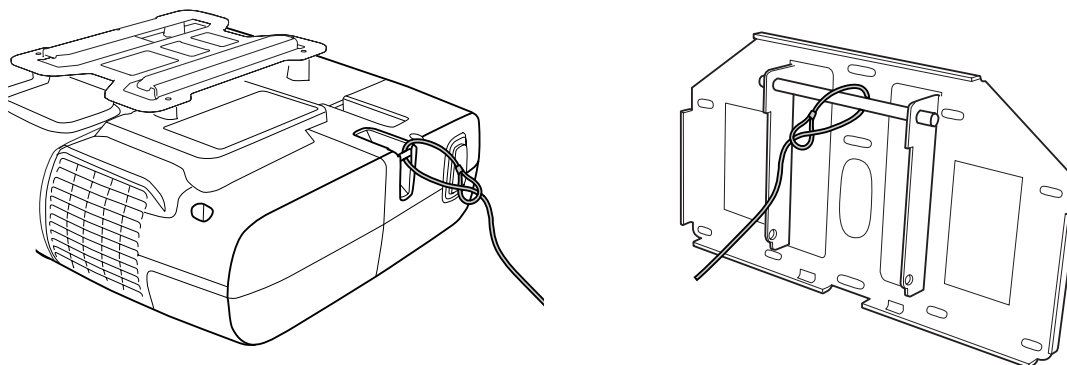
For details, refer to the supplied Quick Guide or the User's Guide on the BrightLink 455Wi CD-ROM.

Attaching a Security Cable

If the projector is to be installed in a room where it will be left unattended, you can use a commercially available theft-prevention wire lock to secure the projector to a post or other object to prevent someone from taking it.

Pass the wire of the theft-prevention wire lock through the security cable installation point.

For details on how to lock the wire lock, refer to the User's Guide supplied with the wire lock.



After installation of the projector is complete, make sure you leave the pens, remote control, batteries, software CDs, and Quick Guide in the room with the projector.



Consignes de sécurité



Pour votre sécurité, veuillez lire toutes les consignes contenues dans ce guide avant d'utiliser le support de montage. Une manipulation incorrecte ne respectant pas ces consignes pourrait endommager le support de montage ou provoquer des blessures corporelles ou des dommages matériels. Conservez ce guide d'installation à portée de main pour pouvoir vous y reporter ultérieurement.

Lisez les Consignes de sécurité de votre projecteur dans le *Guide de l'utilisateur* et suivez les instructions figurant dans ce document.









Explication des symboles

Les symboles d'avertissement ci-dessous sont utilisés dans ce guide d'installation afin de vous éviter de vous blesser ou de provoquer des dommages matériels. Assurez-vous de bien avoir compris la signification de ces avertissements lorsque vous lisez ce guide.








 Avertissement	Ce symbole signale des informations qui, si elles sont ignorées, peuvent provoquer des blessures, voire la mort, en raison d'une manipulation incorrecte.
 Attention	Ce symbole indique des informations qui, si elles sont ignorées, peuvent provoquer des blessures ou des dommages physiques, en raison d'une manipulation incorrecte.

	Symbole indiquant une action à ne pas faire
	Symbole indiquant une action à faire




Consignes de sécurité pour l'installation

 Avertissement	
Le support de montage est conçu exclusivement pour fixer un projecteur à un mur. Si un équipement autre qu'un projecteur est installé, son poids peut endommager le support. En cas de chute du support de montage, il peut provoquer des blessures corporelles ou des dommages matériels.	
Les travaux d'installation (fixation murale) doivent être effectués par des spécialistes disposant des compétences techniques et du savoir-faire appropriés. Une installation incomplète ou incorrecte peut entraîner la chute du support de montage et provoquer des blessures corporelles ou des dommages matériels. Contactez le bureau du service d'assistance à la clientèle répertorié dans la section « Comment obtenir de l'aide » du <i>Guide de l'utilisateur</i> de votre projecteur pour installer le support de montage.	
Suivez les instructions du présent guide pour installer le support de montage. En cas de non-respect des instructions, le support de montage peut tomber et provoquer des blessures corporelles ou des dommages matériels.	
Manipulez le câble d'alimentation avec précaution. Une manipulation incorrecte peut provoquer un incendie ou une électrocution. Prenez les précautions suivantes en le manipulant : • Ne saisissez pas la fiche secteur avec des mains humides. • N'utilisez pas un câble d'alimentation endommagé ou modifié. • Ne tirez pas exagérément sur le cordon lorsque vous le faites passer à travers le support de montage.	
La fixation du projecteur sur un mur à l'aide du support de montage doit être effectuée sur un mur suffisamment solide pour maintenir le support de montage et le projecteur. Vérifiez donc le poids du projecteur et du support de montage avant l'installation et veillez à la bonne solidité du mur. Si la solidité du mur est insuffisante, renforcez le mur avant de procéder à l'installation.	
N'installez pas le support de montage à un endroit où il peut être soumis à des vibrations ou des chocs. Des vibrations ou des chocs pourraient endommager le projecteur ou la surface de montage. Vous risqueriez également de provoquer la chute du support de montage ou du projecteur et donc des blessures corporelles ou des dommages matériels.	
Installez le support de montage de sorte qu'il puisse supporter son poids ainsi que celui du projecteur et résister à toute vibration horizontale. Utilisez des écrous et des boulons M8. Si vous utilisez des écrous et des boulons de taille inférieure à M8, le support de montage risque de tomber. Epson décline toute responsabilité en cas de dommage ou de blessure dû à une mauvaise installation.	

Avertissement

L'installation doit être exécutée par au moins deux techniciens qualifiés. Si vous devez desserrer des vis pendant l'installation, veillez à ne pas provoquer la chute du support de montage.	
En cas de chute du support de montage ou du projecteur, il peut provoquer des blessures corporelles ou des dommages matériels.	
Contrôlez régulièrement le support de montage pour vérifier qu'aucune de ses pièces n'est endommagée ou que des vis ne sont pas desserrées.	
Si des pièces sont endommagées, cessez immédiatement d'utiliser le support de montage. En cas de chute du support de montage ou du projecteur, il peut provoquer des blessures corporelles ou des dommages matériels.	
Ne modifiez jamais le support de montage.	
Ne suspendez aucun objet au support de montage ni ne posez d'objet lourd sur celui-ci.	
En cas de chute du projecteur ou du support de montage, il peut provoquer des blessures corporelles ou des dommages matériels.	
Si vous utilisez des adhésifs pour empêcher les vis de se desserrer ou si vous utilisez des lubrifiants ou des huiles sur la plaque coulissante de fixation du projecteur, le boîtier risque de se détériorer, au risque de provoquer la chute du projecteur et des blessures corporelles ou des dommages matériels. N'utilisez pas d'adhésifs, ni d'huiles ou lubrifiants pour installer ou régler le support de montage.	
Serrez fermement toutes les vis après tout réglage.	
Des vis insuffisamment serrées peuvent entraîner la chute du projecteur ou du support de montage et provoquer des blessures corporelles ou des dommages matériels.	
Ne desserrez jamais les écrous et les boulons après l'installation.	
Vérifiez régulièrement que les vis ne se sont pas desserrées. Si vous constatez le moindre jeu, resserrez fermement les vis concernées. Des vis insuffisamment serrées peuvent entraîner la chute du projecteur ou du support de montage et provoquer des blessures corporelles ou des dommages matériels.	

Attention



N'installez pas le support de montage dans un endroit qui excède la plage de température de fonctionnement du modèle de projecteur.	
Un tel environnement peut endommager le projecteur.	
Installez le support de montage dans un endroit à l'abri de la poussière et de l'humidité pour que l'objectif et les éléments optiques internes ne se salissent pas.	
Ne forcez pas de manière excessive lorsque vous réglez le support de montage.	
Le support de montage peut être endommagé et provoquer des blessures corporelles.	

Emplacement


- Avant d'installer le projecteur, vérifiez le câblage de l'alimentation électrique de l'emplacement d'installation.
- Éloignez le projecteur des autres appareils électriques, notamment des éclairages fluorescents ou des climatiseurs. Certains types d'éclairages fluorescents risquent d'interférer avec la télécommande du projecteur.
- Assurez-vous que le projecteur n'est pas directement exposé à la lumière du soleil ou d'autres sources de lumière vive.
- Nous vous recommandons d'utiliser un câble de connexion d'une longueur inférieure à 20 mètres (65 pieds) afin de réduire l'effet de parasites.
- Installez le support de montage dans un endroit à l'abri de la poussière et de l'humidité pour que l'objectif et les éléments optiques internes ne se salissent pas.

À propos de ce guide d'installation


Le présent guide décrit comment installer le projecteur BrightLink™ 455 Wi sur un mur à l'aide du support de montage prévu exclusivement à cet effet.

1 Contenu de l'emballage  **Page 32****2 Spécifications**  **Page 34****3 Connexion des appareils**  **Page 35****4 Positionnement du projecteur**  **Page 36**


- (1) Feuille de travail d'installation pour la projection sur un tableau mural préinstallé
- (2) Feuille de travail d'installation pour la projection sur un mur ordinaire
- (3) Mesures d'installation en pouces
- (4) Mesures d'installation en millimètres

**5 Installation du projecteur**  **Page 45**

- (1) Installez la plaque murale sur le mur
- (2) Déterminez la distance de projection et retirez la glissière
- (3) Fixez le support de montage à la plaque murale
- (4) Fixez le projecteur au support de montage
- (5) Connectez le câble d'alimentation et les autres câbles au projecteur

**6 Réglage de l'image**  **Page 51**

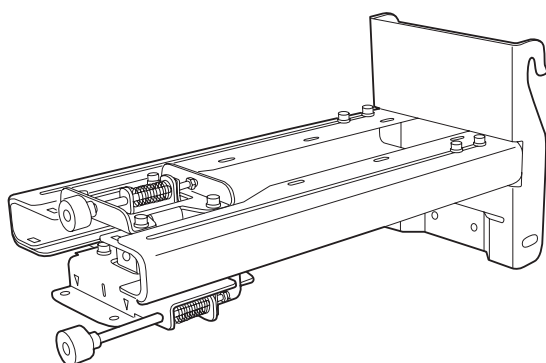
- (1) Mettez le projecteur sous tension
- (2) Affichez la mire
- (3) Changez le rapport hauteur/largeur (au besoin)
- (4) Réglez la mise au point
- (5) Utilisez la molette de réglage gauche pour régler le roulis horizontal
- (6) Utilisez la molette de réglage droite pour régler la rotation horizontale
- (7) Utilisez la molette de réglage supérieure pour régler l'inclinaison verticale
- (8) Réglez la position verticale
- (9) Réglez le coulissement vers l'avant/l'arrière
- (10) Désactivez l'affichage de la mire ou l'image de l'ordinateur

**7 Fixation des caches**  **Page 56**

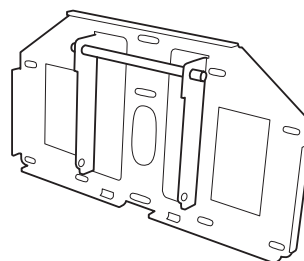
- (1) Fixez le cache de la plaque murale et le capuchon de protection
- (2) Fixez le cache du câble au projecteur

1. Contenu de l'emballage

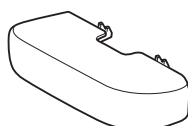
Matériel de montage



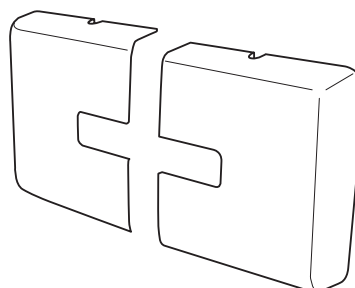
**Support de montage
(support mural)**



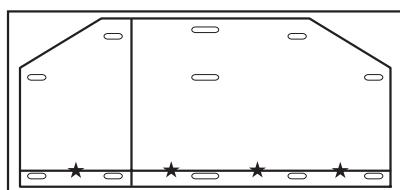
Plaque murale



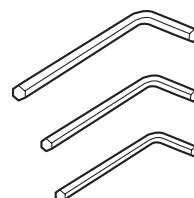
**Capuchon de
protection**



Cache de la plaque murale



**Fiche modèle
(pour l'installation de la plaque murale)**

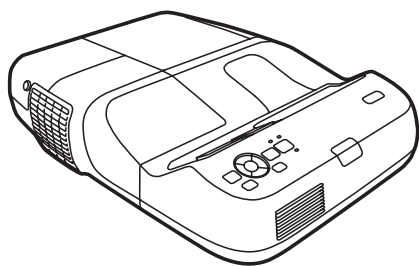


Clés à six pans (pour M4, M5 et M8)

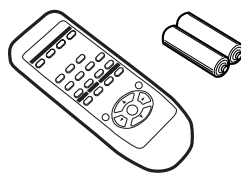
Forme	Nom	Quantité	Application
	Boulon à tête cylindrique à six pans M8 x 15 mm avec rondelle	2	Pour installer le support de montage
	Boulon à tête cylindrique à six pans M5 x 12 mm avec rondelle	2	Pour fixer le projecteur
	Boulon à tête cylindrique à six pans M4 x 12 mm sans rondelle	2	Pour installer le cache de la plaque murale

- Utilisez les boulons fournis avec le support de montage pour installer ce dernier, comme décrit dans le présent guide. Ne leur substituez pas un autre type de boulons.
- Utilisez des pattes de fixation M8 x 50 mm (3 minimum) ou des tire-fonds 8 x 80 mm (3 minimum), disponibles dans le commerce, pour fixer la plaque murale au mur.
- Rassemblez les outils et les éléments nécessaires avant de commencer l'installation.

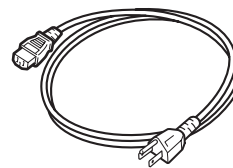
Boîte du projecteur



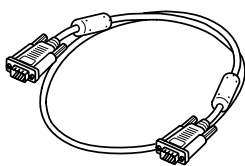
Projecteur



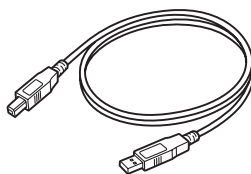
**Télécommande
et piles AA**



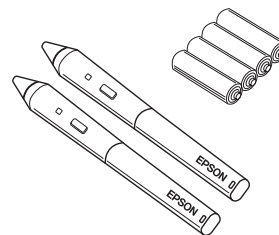
**Cordon
d'alimentation**



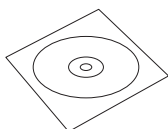
Câble d'ordinateur VGA



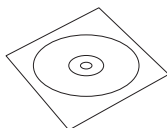
Câble USB



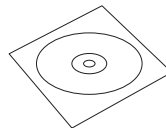
**Crayons interactifs et
piles AAA**



**CD Epson Projector
Software for Easy
Interactive Function**



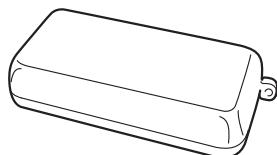
**CD du
projecteur**



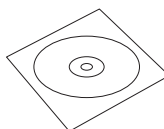
**CD des logiciels du
projecteur Epson**



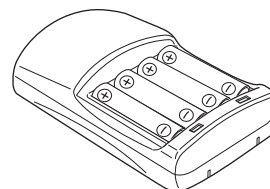
**Autocollant de
sécurité**



Plateau pour crayons



CD TeamBoard Draw

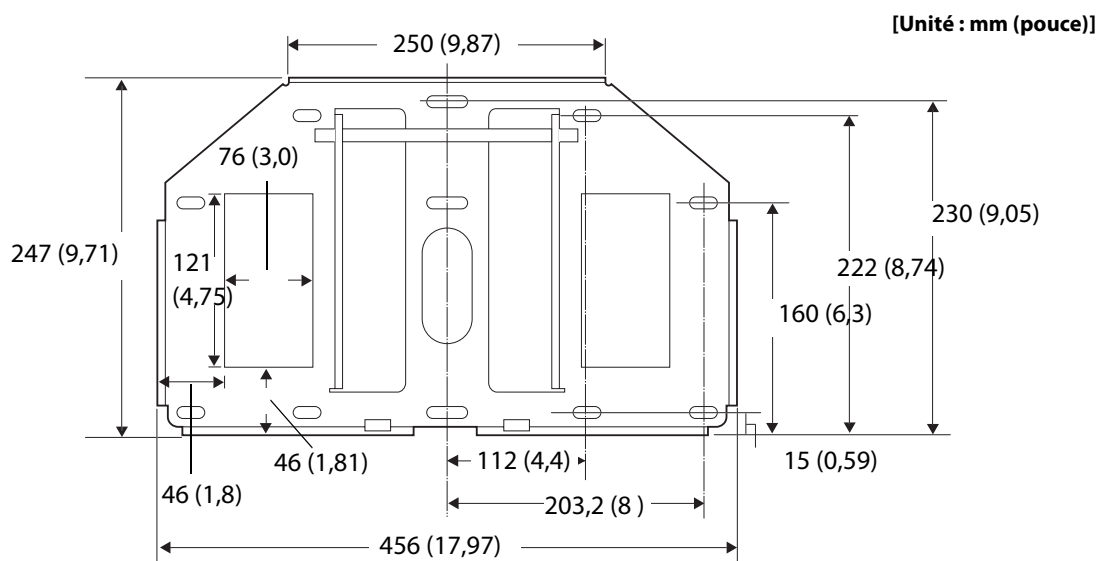


**Chargeur de piles avec 4 piles
AAA rechargeables
(pour les crayons interactifs)**

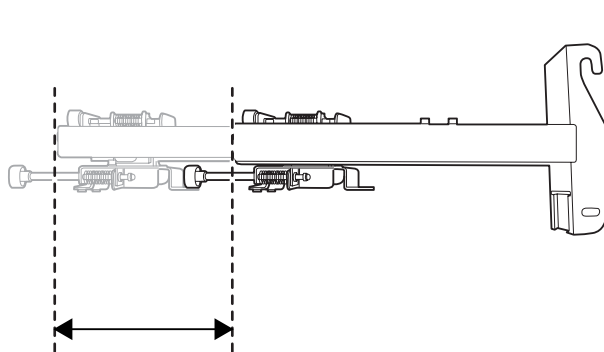
2. Spécifications

Élément	Spécification	Remarque	Page de référence
Poids du support de montage	Environ 6,3 kg (13,89 livres)	Plaque murale (2,2 kg [4,85 livres]) Caches et capuchon (0,47 kg [1,04 livre])	
Plage de réglage du coulisement vers l'avant/l'arrière	0 à 300 mm (11,81 pouces)		Voir l'illustration ci-dessous
Plage de réglage du coulisement vertical	4 °	Minimum : 28 mm (1,10 pouce) Maximum : 42,5 mm (1,67 pouce)	55
Plage de réglage de l'inclinaison verticale	± 5 °	Réglages précis possibles avec la molette de réglage	54
Plage de réglage de la rotation horizontale	± 5 °	Réglages précis possibles avec la molette de réglage	54
Plage de réglage du roulis horizontal	± 3 °	Réglages précis possibles avec la molette de réglage	53
Plage de réglage du coulisement horizontal	± 45 mm (1,77 pouce)		Voir l'illustration ci-dessous

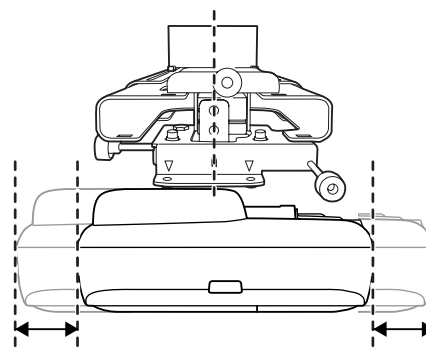
Plaque murale



Plage de réglage du support de montage



Plage de réglage du coulisement vers l'avant/l'arrière :
0 à 300 mm (11,81 pouces)

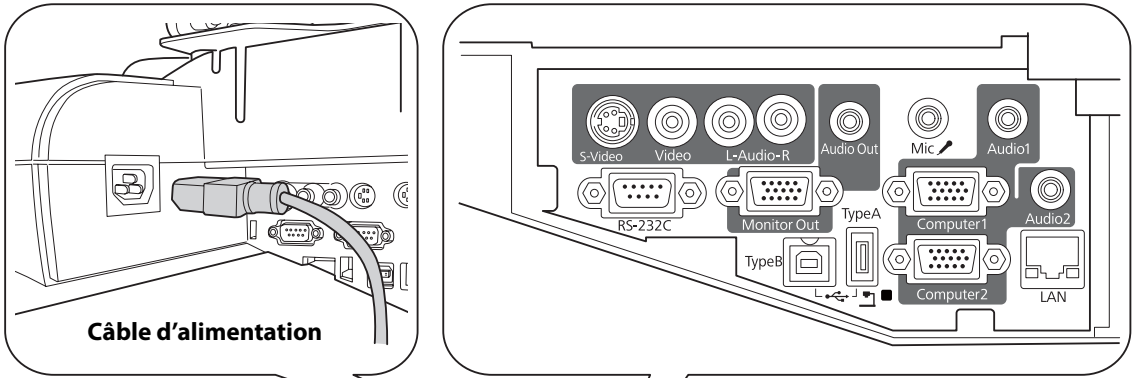


Plage de réglage du coulisement horizontal :
± 45 mm (1,77 pouce)

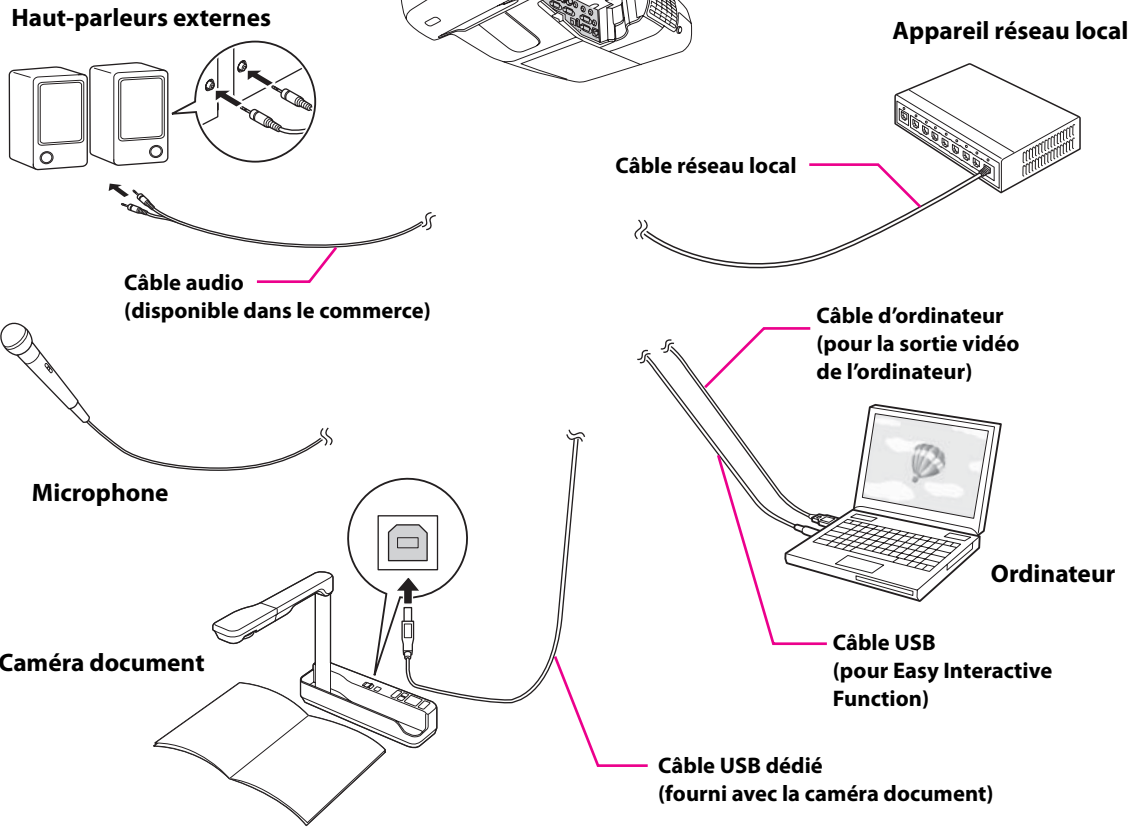
3. Connexion des appareils

Assurez-vous d'avoir le câble d'alimentation, le câble d'ordinateur, le câble USB et les autres pièces, à l'emplacement d'installation du support de montage.

Assurez-vous d'avoir tous les câbles nécessaires pour tous les appareils, une caméra document ou un microphone par exemple, que vous envisagez de connecter au projecteur.



Exemple de connexion

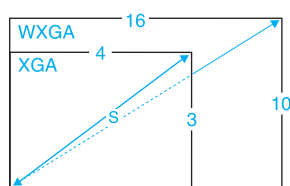


4. Positionnement du projecteur

Les projecteurs BrightLink 455Wi peut projeter jusqu'à 85 pouces (diagonale) en format image XGA. Vous pouvez projeter sur un tableau blanc préinstallé ou directement sur un mur ordinaire. C'est la hauteur du support mural qui détermine la taille d'image maximum et la hauteur à laquelle l'image est projetée sur le mur ou le tableau blanc. La distance du projecteur du mur (une fois qu'il est monté sur le bras réglable de la plaque de fixation) influe aussi sur la taille et la position de l'image.

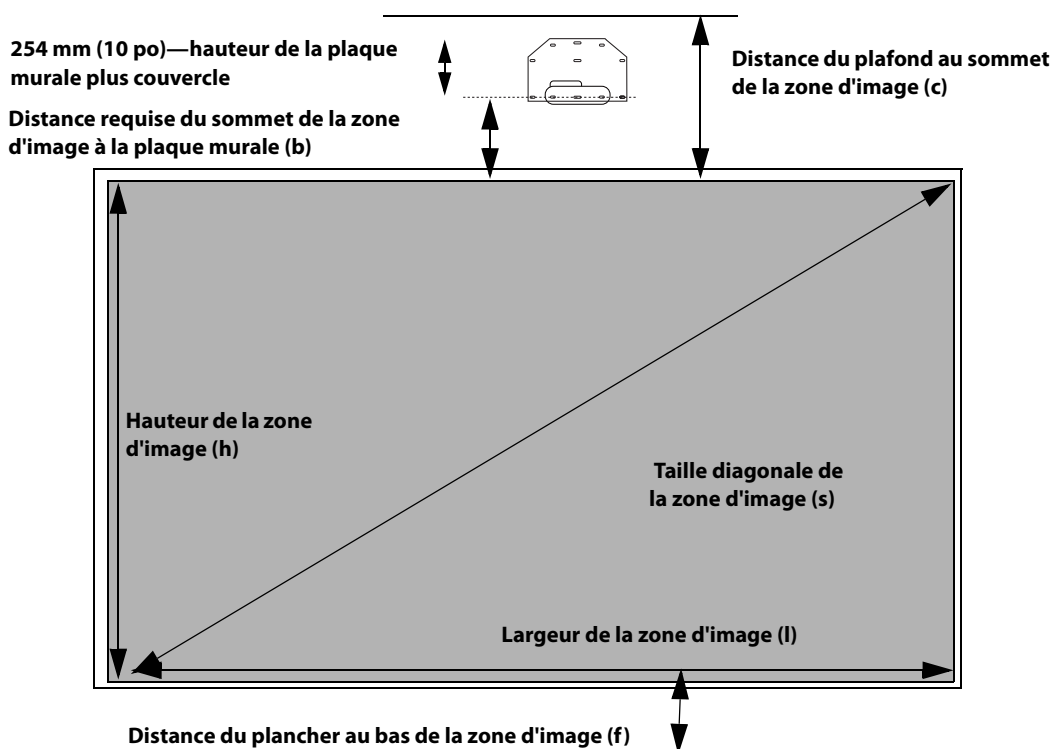
Si vous planifiez de projeter sur un tableau blanc, il est possible que l'image n'occupe pas tout le tableau; tout dépend du rapport hauteur/largeur. Si vous faites correspondre la hauteur de l'image à la hauteur du tableau, il est possible que des espaces apparaissent sur les côtés du tableau.

Utilisez les feuilles de travail suivantes pour déterminer l'emplacement approprié de la plaque murale sur le mur. Si vous projetez sur un tableau blanc préinstallé, utilisez la feuille de travail ci-dessous. Si vous projetez sur un mur ordinaire, utilisez la feuille de travail de la page 37.



Feuille de travail d'installation pour la projection sur un tableau mural préinstallé

- (1) Mesurez la hauteur du plafond (distance du plancher au plafond). _____
- (2) Mesurez la hauteur de la zone d'image du tableau (h). _____ (h)
- (3) Mesurez la largeur de la zone d'image du tableau (l). _____ (l)
- (4) Mesurez la distance du plancher au bas de la zone d'image du tableau (f). _____ (f)
- (5) Mesurez la distance du plafond au sommet de la zone d'image du tableau (c). _____ (c)
- (6) Mesurez l'épaisseur du tableau (x). _____ (x)



(7) Déterminez le rapport d'aspect du tableau ou des images à projeter. Pour de nouveaux ordinateurs ou portatifs, il s'agira probablement de WXGA (16:10). Pour l'équipement plus ancien, il s'agira probablement de XGA (4:3). Il vous faudra peut-être consulter votre directeur en TI pour obtenir cette information.

4:3 XGA 16:10 WXGA 16:9 grand écran

(8) En utilisant les tableaux des pages 40 à 43 pour votre rapport d'aspect et la hauteur d'image souhaitée (h), trouvez la distance requise entre le sommet de la zone d'image et la plaque murale (b). _____ (b)

(9) Déterminez la position pour l'installation de votre projecteur en additionnant les valeurs (f), (h) et (b), en prévoyant 254 mm (10 po) de plus pour la hauteur de la plaque murale et le couvercle. _____ (f)
 _____ (h)
 _____ (b)

Si la hauteur du plafond de votre salle (telle que notée à l'étape 1) ne correspond pas à la hauteur de plafond minimum requise pour votre tableau, vous pourriez avoir besoin de sélectionner une taille d'image plus petite ou d'abaisser le tableau sur le mur. ± 254 mm (10 po)
 _____ total

(10) Après avoir confirmé votre taille d'image, utilisez du ruban ou un crayon pour marquer la distance (b) du sommet de la zone d'image sur le tableau au bas.

(11) Alignez la ligne horizontale ★ (horizontal) sur le gabarit avec la marque (b), puis alignez la ligne centrale du gabarit avec le centre de la zone d'image. Suivez les directives de la page 45 pour installer le projecteur.

Feuille de travail d'installation pour la projection sur un mur ordinaire

(1) Mesurez la hauteur du plafond (distance du plancher au plafond). _____

(2) Déterminez le rapport d'aspect souhaité de l'image. Pour de nouveaux ordinateurs ou portatifs, il s'agira probablement de WXGA (16:10). Pour l'équipement plus ancien, il s'agira probablement de XGA (4:3). Il vous faudra peut-être consulter votre directeur en TI pour obtenir cette information.

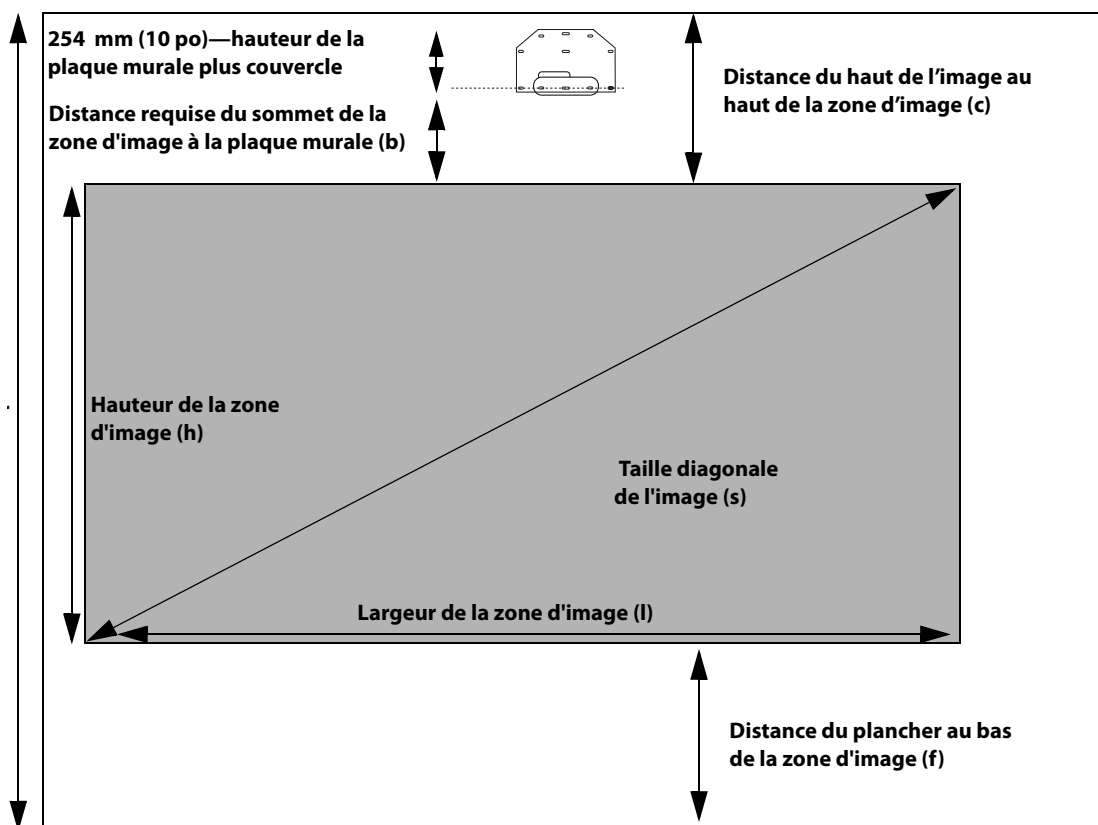
4:3 XGA 16:10 WXGA 16:9 grand écran

(3) À l'aide des tableaux des pages 40 à 43 pour votre rapport d'aspect, sélectionnez la taille d'image la plus grande qui soit disponible pour la hauteur de votre plafond.

Hauteur d'image (h) _____ (h)

Largeur d'image (l) _____ (l)

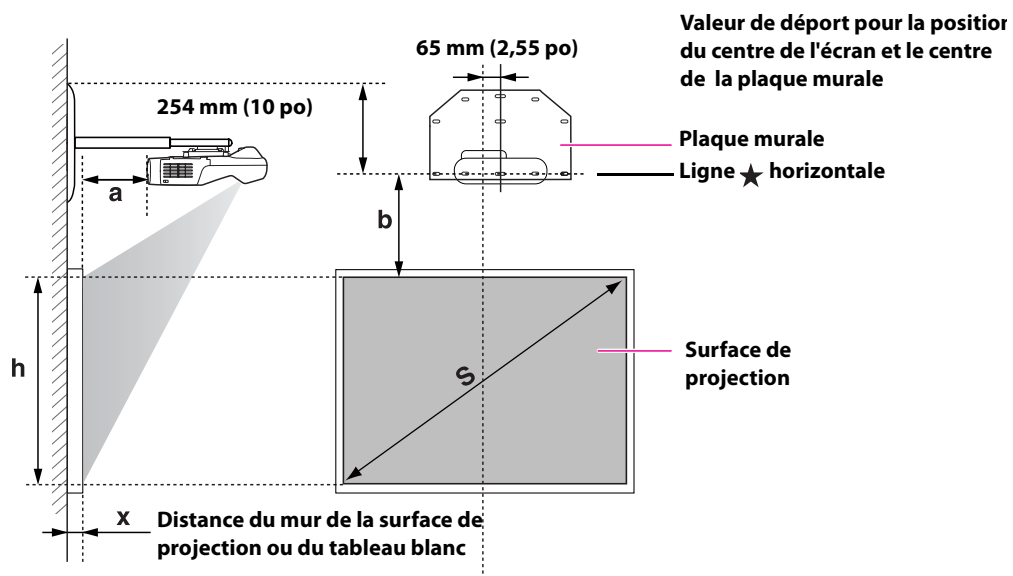
- (4) Mesurez la distance souhaitée du plancher au bas de la zone d'image (f). _____ (f)
 La distance minimum recommandée est de 762 mm (30 po). Il se peut que la vue des images apparaissant à moins de 28 pouces du plancher soit obstruée.
- (5) Trouvez le sommet de la zone d'image projetée en additionnant les distances (f) et (h). _____
- (6) Utilisez les tableaux des pages 40 à 43 pour déterminer la distance requise du haut de la zone d'image au bas de la plaque murale (b). _____ (b)
- (7) Additionnez :
- | | |
|--|----------------|
| Distance requise du haut de la zone d'image à la plaque murale (b) | _____ (b) |
| Hauteur de la zone d'image (h) | _____ (h) |
| Distance du plancher au bas de la zone d'image (f) | _____ (f) |
| Hauteur de la plaque murale plus couvercle | <u>+254</u> mm |
| Si le total dépasse la hauteur du plancher, il vous faudra réduire la taille d'image ou réduire la distance du plancher au bas de la zone d'image. | 10 po. |
| | _____ total |



- (8) Après avoir confirmé votre taille d'image, utilisez du ruban ou un crayon pour marquer la distance (b) du sommet de la zone d'image sur le tableau au bas de la plaque murale.
- (9) Alignez la ligne horizontale ★ (horizontal) sur le gabarit avec la marque (b), puis alignez la ligne centrale du gabarit avec le centre de la zone d'image. Suivez les directives de la page 45 pour installer le projecteur.

Les tableaux des pages suivantes fournissent des renseignements d'installation pour toutes les tailles d'image prises en charge. La hauteur de plafond minimum est basée sur une image de 762 mm (30 po) du plancher; si l'image est plus basse, la hauteur de plafond minimum est réduite par la mesure correspondante.

Utilisez les feuilles de travail, l'illustration ci-dessous et les renseignements des tableaux aux pages suivantes pour déterminer la distance de projection et le placement de la plaque murale. La plage recommandée pour la distance de projection (a) est de 7 à 37 cm (2,76 à 14,57 pouces).



Mesures d'installation en pouces

Taille de l'image diagonale (S)	16:10 WXGA				4:3 XGA				16:9 grand écran						
	Hauteur du plafond min.*	Largeur de l'image (l)	Hauteur de l'image (h)	Distance de projection min. (a)	Distance du haut de l'image à la plaque murale (b)	Hauteur du plafond min.*	Largeur de l'image (l)	Hauteur de l'image (h)	Distance de projection min. (a)	Distance du haut de l'image à la plaque murale (b)	Hauteur du plafond min.*	Largeur de l'image (l)	Hauteur de l'image (h)	Distance de projection min. (a)	Distance du haut de l'image à la plaque murale (b)
55 po	—	—	—	—	—	83,8	44,0	33,0	3,7	10,8	—	—	—	—	—
56 po	—	—	—	—	—	84,6	44,8	33,6	4,1	11,0	—	—	—	—	—
57 po	—	—	—	—	—	85,4	45,6	34,2	4,4	11,2	—	—	—	—	—
58 po	—	—	—	—	—	86,2	46,4	34,8	4,8	11,4	—	—	—	—	—
59 po	81,6	50,0	31,3	2,7	10,3	86,9	47,2	35,4	5,2	11,5	—	—	—	—	—
60 po	82,3	50,9	31,8	3,0	10,5	87,7	48,0	36,0	5,5	11,7	81,8	52,3	29,4	3,5	12,4
61 po	83,0	51,7	32,3	3,3	10,6	88,5	48,8	36,6	5,9	11,9	82,5	53,2	29,9	3,9	12,6
62 po	83,7	52,6	32,9	3,6	10,8	89,3	49,6	37,2	6,2	12,1	83,1	54,0	30,4	4,2	12,8
63 po	84,3	53,4	33,4	4,0	11,0	90,0	50,4	37,8	6,6	12,2	83,8	54,9	30,9	4,5	12,9
64 po	85,0	54,3	33,9	4,4	11,1	90,8	51,2	38,4	7,0	12,4	84,5	55,8	31,4	4,8	13,1
65 po	85,7	55,1	34,4	4,6	11,3	91,6	52,0	39,0	7,3	12,6	85,2	56,7	31,9	5,2	13,3
66 po	86,4	56,0	35,0	4,9	11,4	92,4	52,8	39,6	7,7	12,8	85,9	57,5	32,4	5,5	13,5
67 po	87,1	56,8	35,5	5,2	11,6	93,1	53,6	40,2	8,0	12,9	86,5	58,4	32,8	5,8	13,7
68 po	87,8	57,7	36,0	5,5	11,7	93,9	54,4	40,8	8,4	13,1	87,2	59,3	33,3	6,2	13,9
69 po	88,4	58,5	36,6	5,9	11,9	94,7	55,2	41,4	8,8	13,3	87,9	60,1	33,8	6,5	14,1
70 po	89,1	59,4	37,1	6,2	12,0	95,5	56,0	42,0	9,1	13,5	88,6	61,0	34,3	6,8	14,2
71 po	89,8	60,2	37,6	6,5	12,2	96,2	56,8	42,6	9,5	13,6	89,2	61,9	34,8	7,2	14,4
72 po	90,5	61,1	38,2	6,8	12,3	97,0	57,6	43,2	9,8	13,8	89,9	62,8	35,3	7,5	14,6
73 po	91,2	61,9	38,7	7,1	12,5	97,8	58,4	43,8	10,2	14,0	90,6	63,6	35,8	7,8	14,8
74 po	91,9	62,8	39,2	7,5	12,7	98,6	59,2	44,4	10,6	14,2	91,3	64,5	36,3	8,1	15,0
75 po	92,6	63,6	39,7	7,8	12,8	99,3	60,0	45,0	10,9	14,3	91,9	65,4	36,8	8,4	15,2

Taille de l'image diagonale (S)	16:10 WXGA				4:3 XGA				16:9 grand écran						
	Hauteur du plafond min.*	Largeur de l'image (l)	Hauteur de l'image (h)	Distance de projection min. (a)	Distance du haut de l'image à la plaque murale (b)	Hauteur du plafond min.*	Largeur de l'image (l)	Hauteur de l'image (h)	Distance de projection min. (a)	Distance du haut de l'image à la plaque murale (b)	Hauteur du plafond min.*	Largeur de l'image (l)	Hauteur de l'image (h)	Distance de projection min. (a)	Distance du haut de l'image à la plaque murale (b)
76 po	93,2	64,4	40,3	8,1	13,0	100,1	60,8	45,6	11,3	14,5	92,6	66,2	37,3	8,8	15,4
77 po	93,9	65,3	40,8	8,4	13,1	100,9	61,6	46,2	11,7	14,7	93,3	67,1	37,8	9,1	15,5
78 po	94,6	66,1	41,3	8,7	13,3	101,7	62,4	46,8	12,0	14,9	94,0	68,0	38,2	9,4	15,7
79 po	95,3	67,0	41,9	9,0	13,4	102,4	63,2	47,4	12,4	15,0	94,6	68,9	38,7	9,7	15,9
80 po	96,0	67,8	42,4	9,4	13,6	103,2	64,0	48,0	12,7	15,2	95,3	69,7	39,2	10,1	16,1
81 po	96,7	68,7	42,9	9,7	13,7	104,0	64,8	48,6	13,1	15,4	96,0	70,6	39,7	10,4	16,3
82 po	97,3	69,5	43,5	10,0	13,9	104,8	65,6	49,2	13,5	15,6	96,7	71,5	40,2	10,7	16,5
83 po	98,0	70,4	44,0	10,3	14,0	105,5	66,4	49,8	13,8	15,7	97,4	72,3	40,7	11,1	16,7
84 po	98,7	71,2	44,5	10,6	14,2	106,3	67,2	50,4	14,2	15,9	98,0	73,2	41,2	11,4	16,9
85 po	99,4	72,1	45,0	11,0	14,4	107,1	68,0	51,0	14,5	16,1	98,7	74,1	41,7	11,7	17,0
86 po	100,1	72,9	45,6	11,3	14,5	—	—	—	—	—	99,4	75,0	42,2	12,0	17,2
87 po	100,8	73,8	46,1	11,6	14,7	—	—	—	—	—	100,1	75,8	42,7	12,4	17,4
88 po	101,5	74,6	46,6	11,9	14,8	—	—	—	—	—	100,7	76,7	43,1	12,7	17,6
89 po	102,1	75,5	47,2	12,2	14,9	—	—	—	—	—	101,4	77,6	43,6	13,0	17,9
90 po	102,8	76,3	47,7	12,6	15,1	—	—	—	—	—	102,1	78,4	44,1	13,3	18,0
91 po	103,5	77,2	48,2	12,9	15,3	—	—	—	—	—	102,8	79,3	44,6	13,7	18,2
92 po	104,2	78,0	48,8	13,2	15,4	—	—	—	—	—	103,4	80,2	45,1	14,0	18,3
93 po	104,9	78,9	49,3	13,5	15,6	—	—	—	—	—	104,1	81,1	45,6	14,3	18,5
94 po	105,6	79,7	49,8	13,8	15,8	—	—	—	—	—	—	—	—	—	—
95 po	106,3	80,6	50,3	14,2	15,9	—	—	—	—	—	—	—	—	—	—
96 po	106,9	81,4	50,9	14,5	16,1	—	—	—	—	—	—	—	—	—	—

* Calcul basé sur une image de 30 pouces à partir du plancher; si l'image est plus basse, la hauteur minimale du plafond est réduite selon la mesure correspondante.

Mesures d'installation en millimètres

Taille de l'image diagonale (S)	16:10 WXGA				4:3 XGA				16:9 grand écran						
	Hauteur du plafond min.*	Largeur de l'image (l)	Hauteur de l'image (h)	Distance de projection min. (a)	Distance du haut de l'image à la plaque murale (b)	Hauteur du plafond min.*	Largeur de l'image (l)	Hauteur de l'image (h)	Distance de projection min. (a)	Distance du haut de l'image à la plaque murale (b)	Hauteur du plafond min.*	Largeur de l'image (l)	Hauteur de l'image (h)	Distance de projection min. (a)	Distance du haut de l'image à la plaque murale (b)
55 po	—	—	—	—	—	2129	1118	838	94	275	—	—	—	—	—
56 po	—	—	—	—	—	2149	1138	853	104	280	—	—	—	—	—
57 po	—	—	—	—	—	2169	1158	869	113	284	—	—	—	—	—
58 po	—	—	—	—	—	2188	1179	884	122	289	—	—	—	—	—
59 po	2073	1271	794	68	262	2208	1199	899	131	293	—	—	—	—	—
60 po	2090	1292	808	76	266	2228	1219	914	140	297	2078	1328	747	90	314
61 po	2107	1314	821	84	270	2248	1240	930	149	302	2095	1350	760	98	319
62 po	2125	1335	835	92	274	2267	1260	945	158	306	2112	1373	772	106	324
63 po	2142	1357	848	100	278	2287	1280	960	168	311	2129	1395	785	114	329
64 po	2160	1379	862	108	282	2307	1300	975	177	315	2146	1417	797	123	333
65 po	2177	1400	875	117	286	2326	1321	991	186	320	2163	1439	809	131	338
66 po	2194	1422	888	125	290	2346	1341	1006	195	324	2181	1461	822	139	343
67 po	2212	1443	902	133	294	2366	1361	1021	204	329	2198	1483	834	148	348
68 po	2229	1465	915	141	298	2385	1382	1036	213	333	2215	1505	847	156	352
69 po	2247	1486	929	149	302	2405	1402	1052	223	338	2232	1528	859	164	357
70 po	2264	1508	942	157	306	2425	1422	1067	232	342	2249	1550	872	173	362
71 po	2281	1529	956	165	310	2444	1443	1082	241	346	2267	1572	884	181	366
72 po	2299	1551	969	173	313	2464	1463	1097	250	351	2284	1594	897	189	371
73 po	2316	1572	983	181	317	2484	1483	1113	259	355	2301	1616	909	198	376
74 po	2334	1594	996	189	321	2504	1504	1128	268	360	2318	1638	921	206	381
75 po	2351	1615	1010	197	325	2523	1524	1143	277	364	2335	1660	934	214	385
76 po	2368	1637	1023	205	329	2543	1544	1158	287	369	2352	1682	946	223	390

Taille de l'image diagonale (S)	16:10 WXGA				4:3 XGA				16:9 grand écran						
	Hauteur du plafond min.*	Largeur de l'image (l)	Hauteur de l'image (h)	Distance de projection min. (a)	Distance du haut de l'image à la plaque murale (b)	Hauteur du plafond min.*	Largeur de l'image (l)	Hauteur de l'image (h)	Distance de projection min. (a)	Distance du haut de l'image à la plaque murale (b)	Hauteur du plafond min.*	Largeur de l'image (l)	Hauteur de l'image (h)	Distance de projection min. (a)	Distance du haut de l'image à la plaque murale (b)
77 po	2386	1659	1037	214	333	2563	1565	1173	296	373	2370	1705	959	231	395
78 po	2403	1680	1050	222	337	2582	1585	1189	305	378	2387	1727	971	239	400
79 po	2420	1702	1063	230	341	2602	1605	1204	314	382	2404	1749	984	247	404
80 po	2438	1723	1077	238	345	2622	1626	1219	323	386	2421	1771	996	256	409
81 po	2455	1745	1090	246	349	2641	1646	1234	332	391	2438	1793	1009	264	414
82 po	2473	1766	1104	254	353	2661	1666	1250	342	395	2456	1815	1021	272	418
83 po	2490	1788	1117	262	357	2681	1687	1265	351	400	2473	1837	1034	281	423
84 po	2507	1809	1131	270	361	2700	1707	1280	360	404	2490	1860	1046	289	428
85 po	2525	1831	1144	278	365	2720	1727	1295	369	409	2507	1882	1058	297	433
86 po	2542	1852	1158	286	369	—	—	—	—	—	2524	1904	1071	306	437
87 po	2560	1874	1171	294	372	—	—	—	—	—	2542	1926	1083	314	442
88 po	2577	1895	1185	303	376	—	—	—	—	—	2559	1948	1096	322	447
89 po	2594	1917	1198	311	380	—	—	—	—	—	2576	1970	1108	331	452
90 po	2612	1939	1212	319	384	—	—	—	—	—	2593	1992	1121	339	456
91 po	2629	1960	1225	327	388	—	—	—	—	—	2610	2015	1133	347	461
92 po	2647	1982	1239	335	392	—	—	—	—	—	2627	2037	1146	356	466
93 po	2664	2003	1252	343	396	—	—	—	—	—	2645	2059	1158	364	471
94 po	2681	2025	1265	351	400	—	—	—	—	—	—	—	—	—	—
95 po	2699	2046	1279	359	404	—	—	—	—	—	—	—	—	—	—
96 po	2716	2068	1292	367	408	—	—	—	—	—	—	—	—	—	—

* Calcul basé sur une image de 762 mm à partir du plancher; si l'image est plus basse, la hauteur minimale du plafond est réduite selon la mesure correspondante.

Si vous avez déjà un tableau blanc, veuillez vous référer au tableau ci-dessous pour identifier les modèles et les tailles courantes. Si votre tableau est listé ci-dessous, utilisez ces dimensions afin des respecter les mesures requises lors de l'installation qui sont mentionnées aux pages 40 à 43.

Tailles du tableau blanc interactif

Taille diagonale	16:10 WXGA	4:3 XGA	16:9 grand écran
60 po	—	—	RM ClassBoard2 60
63 po	—	Hitachi® StarBoard FX-63	—
64 po	—	SMART Board 660 Promethean ActivBoard 164	—
71 po	—	—	INTERWRITE BOARD 1071
77 po	—	Hitachi Cambridge Board 77 Hitachi StarBoard FX-77 SMART Board 680	—
77.5 po	—	RM ClassBoard2 77.5 INTERWRITE® BOARD 1077	—
78 po	PolyVision® TS 600/ TS610 / TSL610/ENO 2610	PolyVision TS610 Promethean ActivBoard 178 / 378	—
82 po	—	—	Hitachi StarBoard FX-82W
85 po	—	—	INTERWRITE BOARD 1085
87 po	SMART Board ^{MD} 685 Promethean ActivBoard 387	—	—
93 po	—	—	PolyVision ENO 2810
94 po	—	—	SMART Board 690
96 po	Epson BrightLink 455Wi	—	—

5. Installation du projecteur

Veillez à bien respecter les étapes ci-dessous lorsque vous installez le support de montage. Si vous les ignorez, le support de montage pourrait tomber et provoquer des blessures corporelles et des dommages matériels.

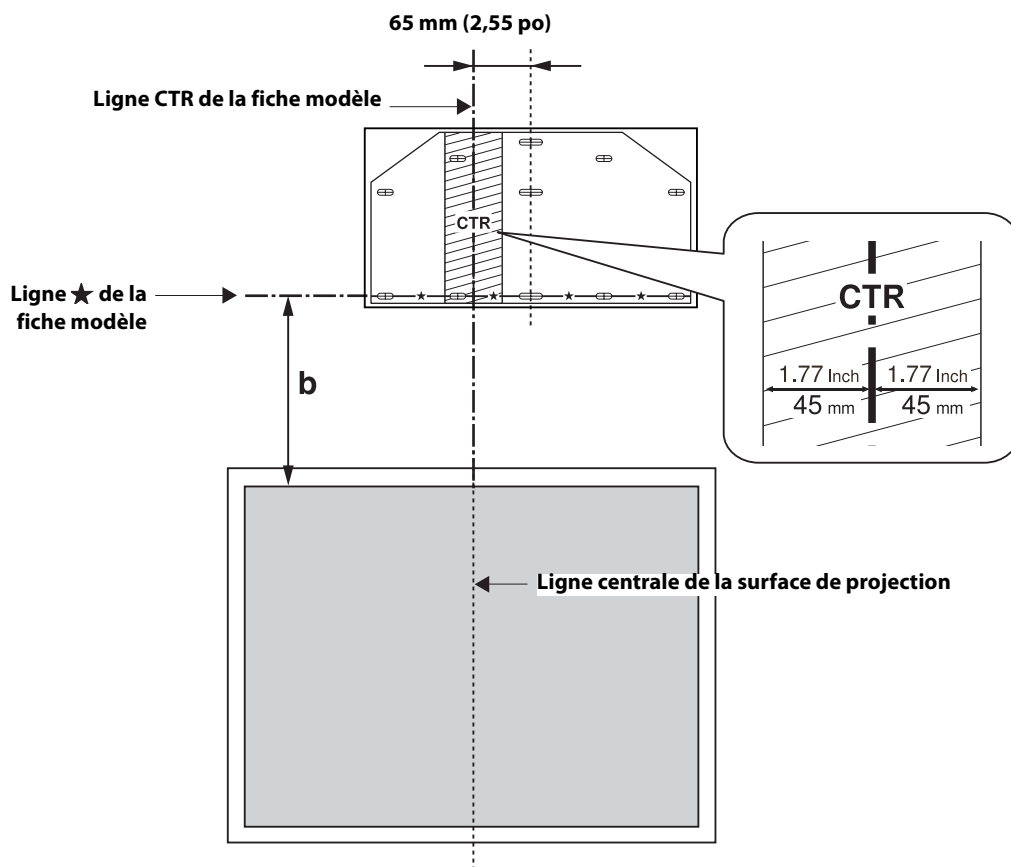
Le poids combiné maximum du support de montage et du projecteur peut atteindre environ 15,2 kg (33,5 livres). Lorsque vous installez le support de montage, calculez le poids autorisé, vérifiez avec le plus grand soin la construction, le matériau et la solidité du mur et procédez à l'installation selon la méthode qui convient le mieux.



1 Installez la plaque murale sur le mur

- (1) Déterminez la position de la fiche modèle.
 - En vous aidant des tableaux aux pages 40 à 43, vérifiez la taille de l'écran (s) et la distance entre la surface de projection et la plaque murale (b).
 - Alignez la ligne CTR (verticale) de la fiche modèle avec la ligne centrale (verticale) de la surface de projection.
Vérifiez l'emplacement des poutres à l'intérieur du mur et déplacez vers la gauche ou la droite si nécessaire.
La position peut être décalée horizontalement vers la gauche ou la droite de la ligne centrale de la surface de projection de 45 mm [1,77 po] au maximum.

- Alignez la ligne ★ (horizontale) du modèle avec la hauteur de (b).



⚠ Avertissement

- ❑ La fixation du projecteur sur un mur à l'aide du support de montage doit être effectuée sur un mur suffisamment solide pour maintenir le support de montage et le projecteur. Vérifiez donc le poids du projecteur et du support de montage avant l'installation et veillez à la bonne solidité du mur. Si la solidité du mur est insuffisante, renforcez le mur avant de procéder à l'installation.
- ❑ Installez le support de montage de sorte qu'il puisse supporter son poids ainsi que celui du projecteur et résister à toute vibration horizontale. Utilisez des écrous et des boulons M8. Si vous utilisez des écrous et des boulons de taille inférieure à M8, le support de montage risque de tomber.
- ❑ Epson décline toute responsabilité en cas de dommage ou de blessure dû à une mauvaise installation.

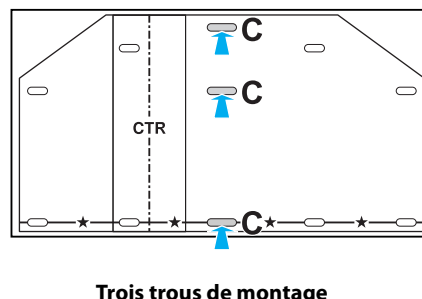
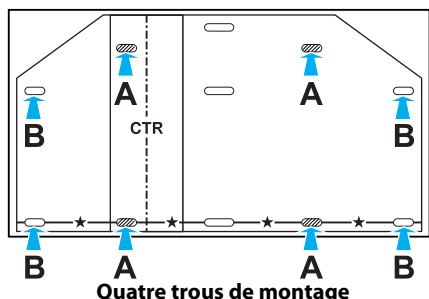
- (2) Fixez la fiche modèle au mur.

Si vous devez installer une boîte de jonction, vous pouvez utiliser les zones de découpes de la plaque murale pour la boîte. La boîte de jonction doit être encastrée dans le mur si vous souhaitez utiliser le couvercle de la plaque murale.

- (3) Percez les trous de montage dans le mur aux emplacements nécessaires.

La plaque murale doit être fixée à l'aide de pattes de fixation ou de tire-fonds disponibles dans le commerce aux emplacements suivants. Nous vous recommandons de fixer la plaque murale à trois emplacements minimum.

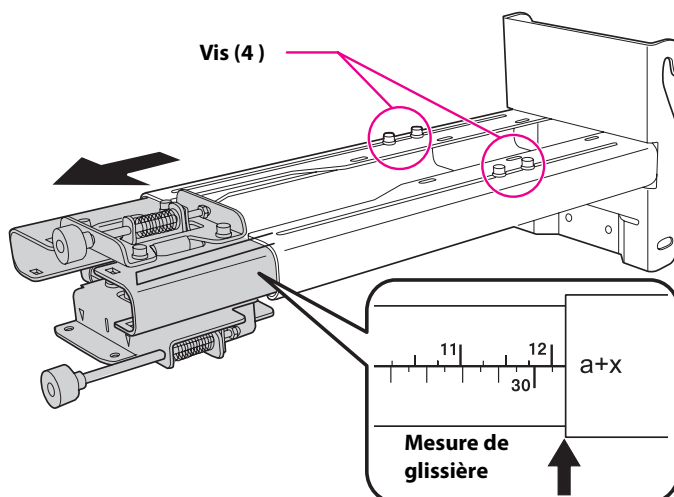
- Si vous fixez la plaque murale à quatre emplacements, percez les trous indiqués par A ou B sur l'image.
- Si vous fixez la plaque murale à trois emplacements, percez les trous indiqués par C sur l'image.



- (4) Retirez la fiche modèle.
 (5) Installez la plaque murale sur le mur.

2 Déterminez la distance de projection et retirez la glissière

- (1) En vous aidant des tableaux aux pages 40 à 43, calculez la distance (a) entre la surface de projection et l'avant du projecteur.
- (2) Desserrez les quatre vis et retirez la glissière du support de montage.
 Alignez la glissière avec le repère de mesure de la glissière qui représente une distance (a+x) équivalente à la distance (a) plus l'épaisseur de l'écran de projection (x). Consultez les tableaux aux pages 40 à 43. L'intervalle de distance de projection recommandé (a) est 7 à 37 cm (2,76 à 14,57 po).



3 Fixez le support de montage à la plaque murale

- (1) Placez les câbles entre les deux vis et faites passer les câbles à travers le support de montage (1).
- (2) Relevez le support de montage et faites passer les câbles à travers (2).

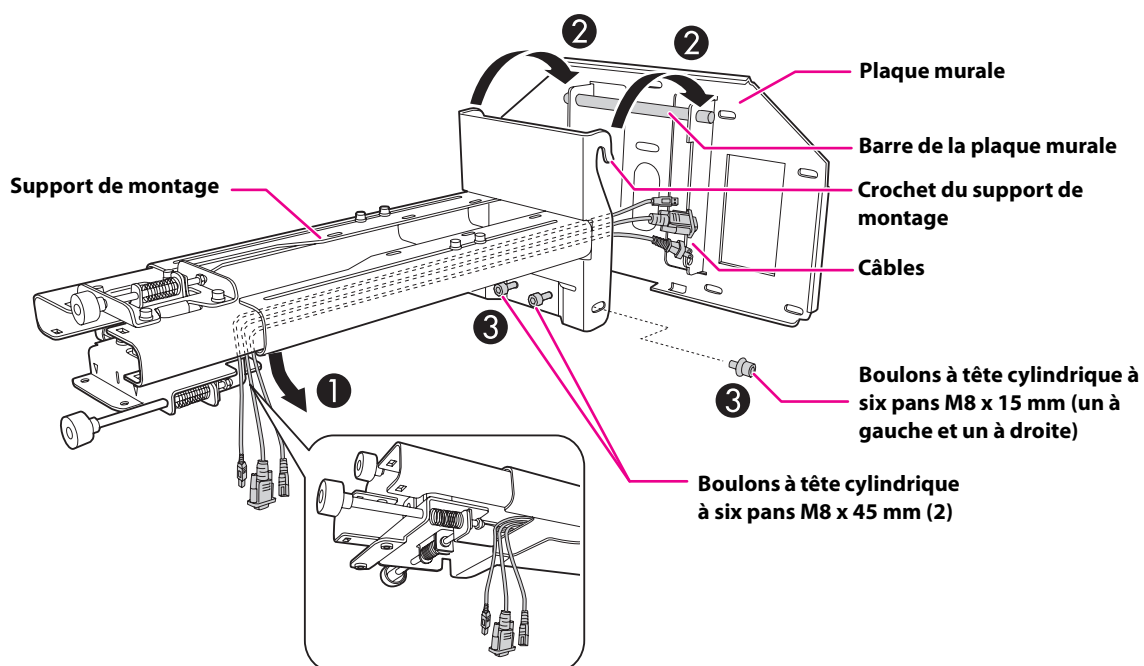
⚠ Attention

Veillez à ne pas bloquer les câbles entre le support de montage et la plaque murale.

- (3) Serrez les deux boulons à tête cylindrique à six pans M8 x 15 mm et les deux boulons à tête cylindrique à six pans M8 x 45 mm fournis avec le support de montage afin que ce dernier soit à la verticale (3).

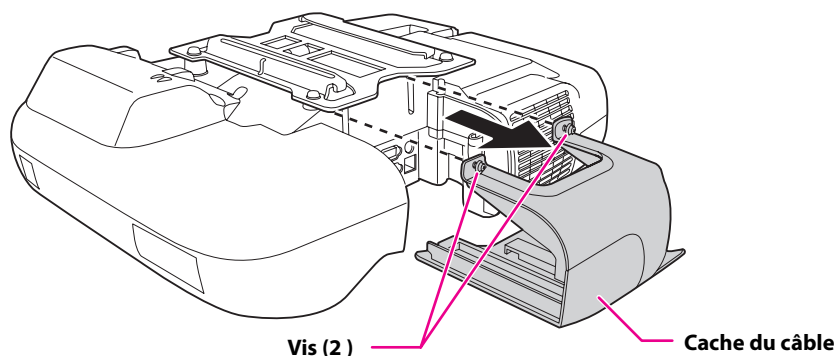
Utilisez les deux boulons à tête cylindrique à six pans M8 x 45 mm pour régler la position verticale.

🔧 55

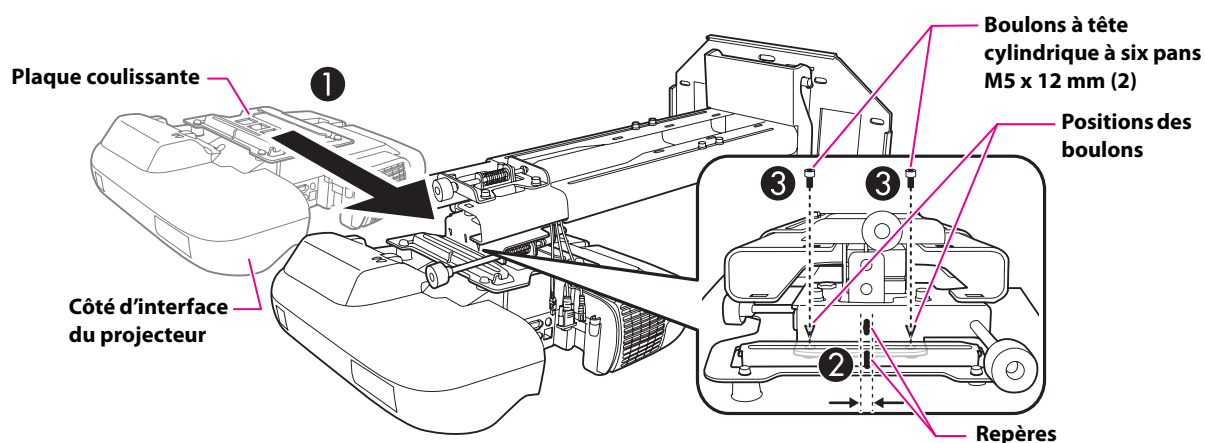


4 Fixez le projecteur au support de montage

- (1) Desserrez les deux vis et retirez le cache du câble du projecteur.



- (2) Insérez la plaque coulissante dans le support de montage à partir du côté d'interface du projecteur (1).
Alignez les repères sur le projecteur et le support de montage (2).



- (3) Serrez les deux boulons à tête cylindrique à six pans M5 x 12 mm (3).

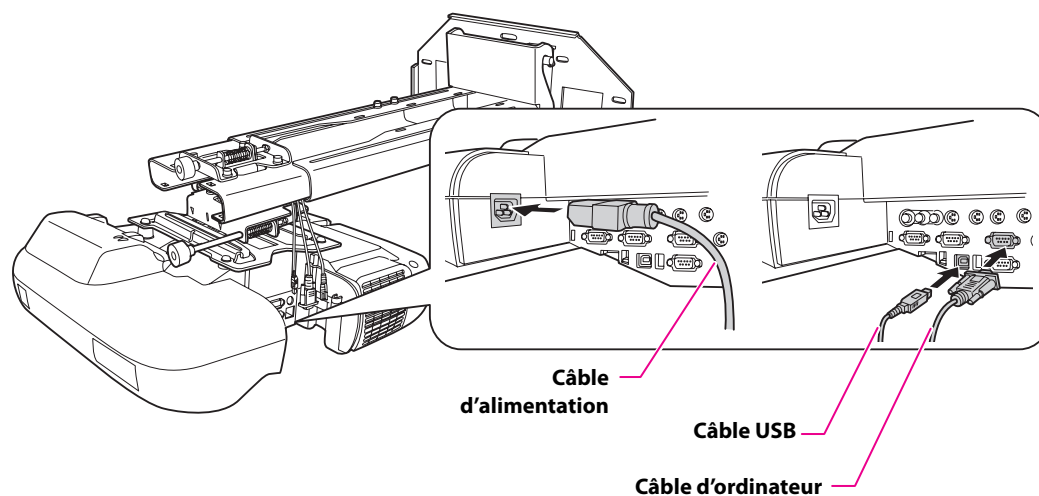
⚠ Avertissement

Si vous utilisez des adhésifs pour empêcher les vis de se desserrer ou si vous utilisez des lubrifiants ou des huiles sur la plaque coulissante, le boîtier risque de se détériorer, au risque de provoquer la chute du projecteur et des blessures corporelles ou des dommages matériels. N'utilisez pas d'adhésifs, ni d'huiles ou lubrifiants pour installer ou régler le support de montage.

5

Connectez le câble d'alimentation et les autres câbles au projecteur

Connectez tous les câbles nécessaires, le câble d'alimentation, le câble d'ordinateur et le câble USB par exemple, au projecteur.



Si vous planifiez de faire passer les câbles à l'intérieur du mur, assurez-vous de suivre la réglementation électrique de votre région. Si vous faites passer les câbles à l'extérieur du mur, utilisez un système de gestion des câbles afin d'éviter que les câbles obstruent l'image. Un système de gestion des câbles est disponible en option chez Epson (numéro de pièce : ELPCK01).

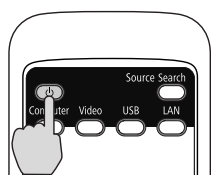
6. Réglage de l'image

Pour garantir une qualité d'écran de projection optimale, procédez comme décrit ci-dessous pour régler l'écran de projection.

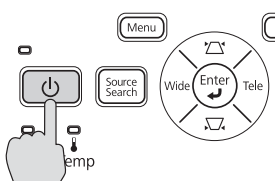
Ne procédez à aucun réglage avec la fonction Keystone du projecteur. Vous risqueriez de détériorer la qualité de l'image.

1 Mettez le projecteur sous tension

Avec la télécommande



Avec le panneau de commande

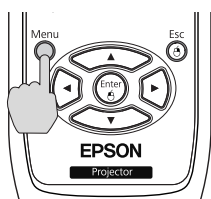


2 Affichez la mire

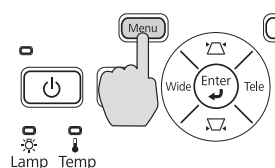
Appuyez sur le bouton **Menu** et sélectionnez le menu Réglage - Motif - Mire. La mire est optimale pour une image WXGA (16:10). Si vous souhaitez modifier le rapport hauteur/largeur, vous devez brancher un ordinateur et projeter une image réelle; de préférence, projetez un motif qui occupe tout l'écran. Pour projeter une image à partir d'un ordinateur portable, vous devrez possiblement maintenir la touche **Fn** de votre clavier enfoncée et vous devrez appuyer sur la touche de fonction qui vous permet d'afficher sur un moniteur externe. Cette touche affichera une icône ou elle sera possiblement étiquetée **CRT/LCD**. Il est possible que vous deviez maintenir la touche **Fn** enfoncée au même moment.

👉 **Guide de l'utilisateur du projecteur : menu Réglage**

Avec la télécommande



Avec le panneau de commande



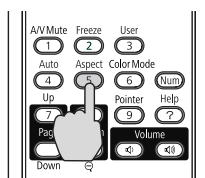
3

Changez le rapport hauteur/largeur (au besoin)

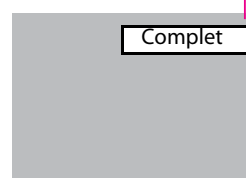
Vous devez brancher un ordinateur avant de pouvoir changer le rapport hauteur/largeur. Chaque fois que vous appuyez sur le bouton **Aspect** de la télécommande, le nom de l'aspect s'affiche à l'écran et le rapport hauteur/largeur change. Modifiez le paramètre selon le signal pour les équipements connectés.

Changez le réglage en fonction du signal de l'équipement connecté.

Télécommande



Rapport hauteur/largeur



Vous pouvez également définir le rapport hauteur/largeur dans le menu Signal - Aspect.

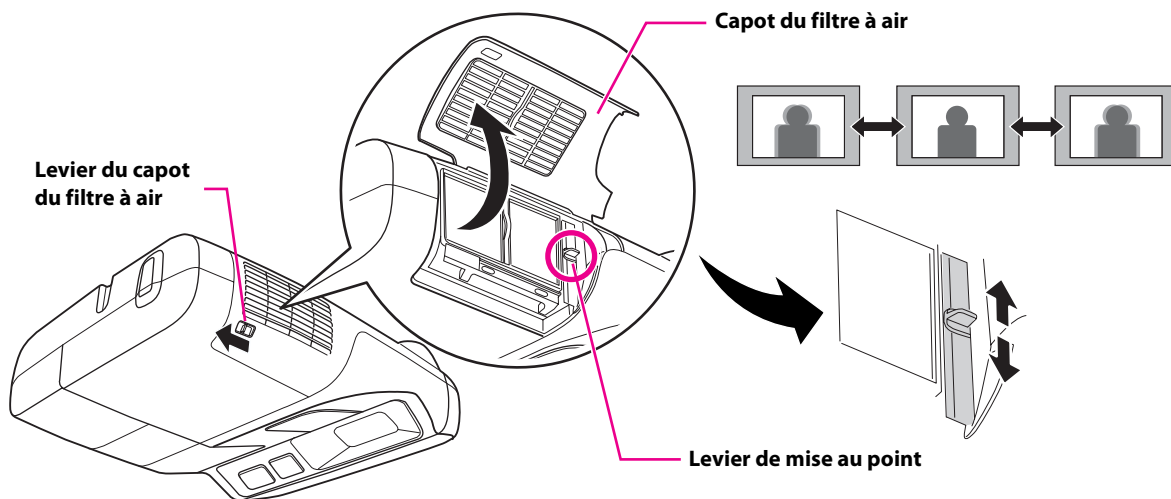
Il est aussi possible de configurer le rapport hauteur/largeur à partir du menu Signal - Aspect. Voici une liste des réglages de rapport hauteur/largeur disponibles :

- **Normal** : Affiche les images sur toute la surface de projection et conserve le format de l'image. Choisissez ce réglage pour redimensionner automatiquement l'image et utilisez l'espace d'affichage de la façon la plus efficace.
- **16:9** : Convertit le rapport hauteur/largeur de l'image de 16:9. Les images 4:3 sont étirées horizontalement pour tenir à l'écran.
- **Complet** : Affiche les images sur la pleine largeur de la surface de projection, mais ne conservent pas le format. Les images 4:3 sont étirées horizontalement.
- **Zoom** : Affiche les images sur la pleine largeur de la surface de projection et conserve le format de l'image. L'image pourrait être rognée dans le haut et le bas selon le rapport hauteur/largeur choisi.
- **Native** : Affiche les images telles quelles (format et résolution conservés). Des bandes noires peuvent apparaître ou les images peuvent être rognées, selon la résolution.

👉 **Guide de l'utilisateur du projecteur : menu Configuration - menu Signal**

4 Réglez la mise au point

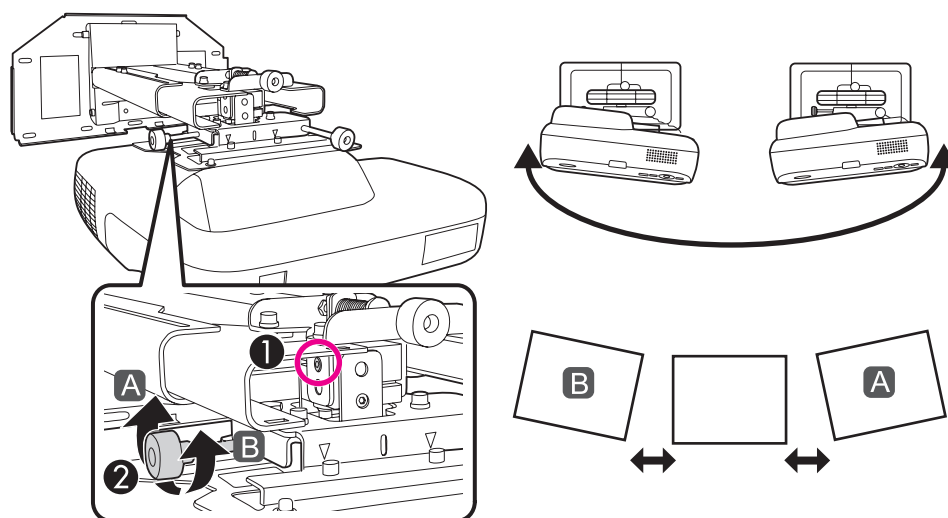
- (1) Déplacez le levier du capot du filtre à air pour ouvrir le capot du filtre à air.
- (2) Utilisez le levier de mise au point pour régler la mise au point.



- (3) Une fois le réglage terminé, fermez le capot du filtre à air.
Il est possible que vous deviez régler la mise au point de nouveau après avoir réglé la position de l'image.

5 Utilisez la molette de réglage gauche pour régler le roulis horizontal

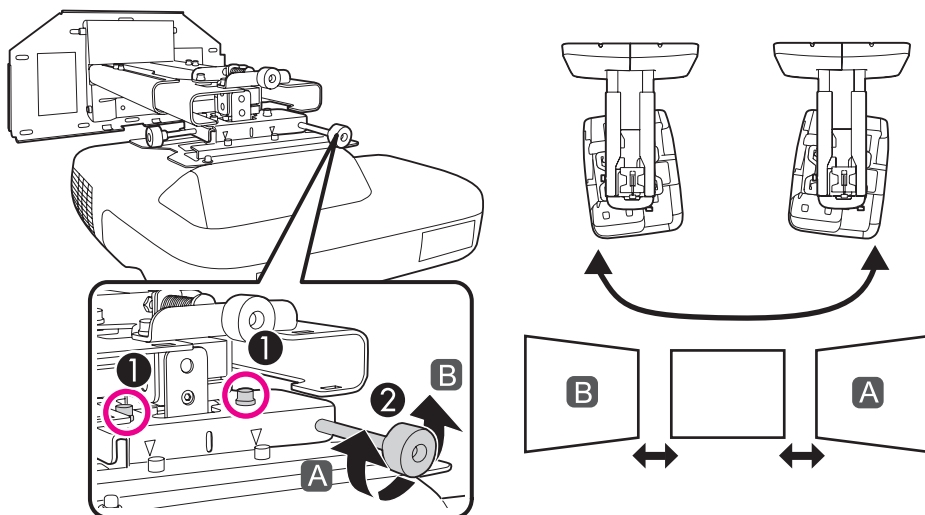
- (1) Desserrez la vis correspondant à la molette de réglage gauche (❶).
- (2) Tournez la molette de réglage pour régler le roulis horizontal (❷).



- (3) Une fois tous les réglages des étapes ❷ à ❹ terminés, serrez la vis que vous avez desserrée à l'étape ❶.

6 Utilisez la molette de réglage droite pour régler la rotation horizontale

- (1) Desserrez les deux vis correspondant à la molette de réglage droite (1).
- (2) Tournez la molette de réglage pour régler la rotation horizontale (2).

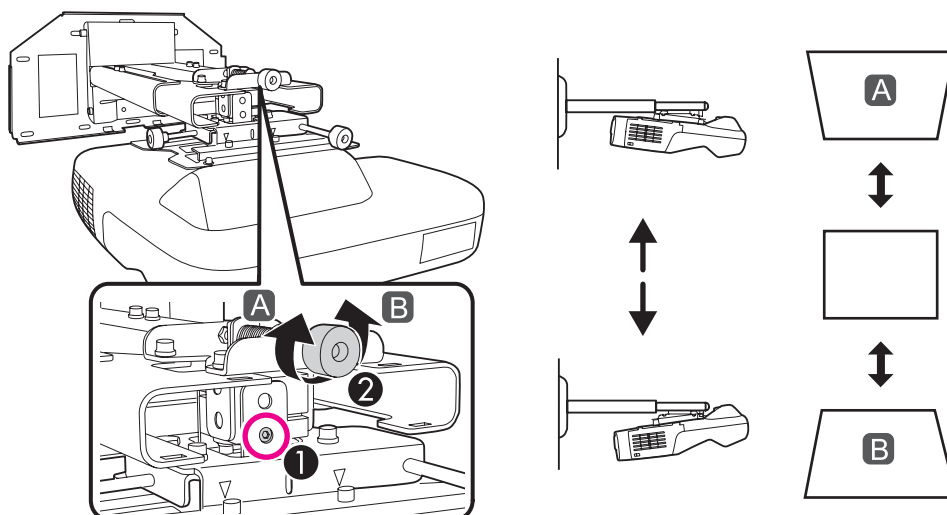


- (3) Une fois tous les réglages des étapes (5) à (9) terminés, serrez les deux vis que vous avez desserrées à l'étape (1).

7 Utilisez la molette de réglage supérieure pour régler l'inclinaison verticale

Répétez les étapes (5) à (9) si nécessaire.

- (1) Desserrez la vis correspondant à la molette de réglage supérieure (1).
- (2) Tournez la molette de réglage pour régler l'inclinaison verticale (2).

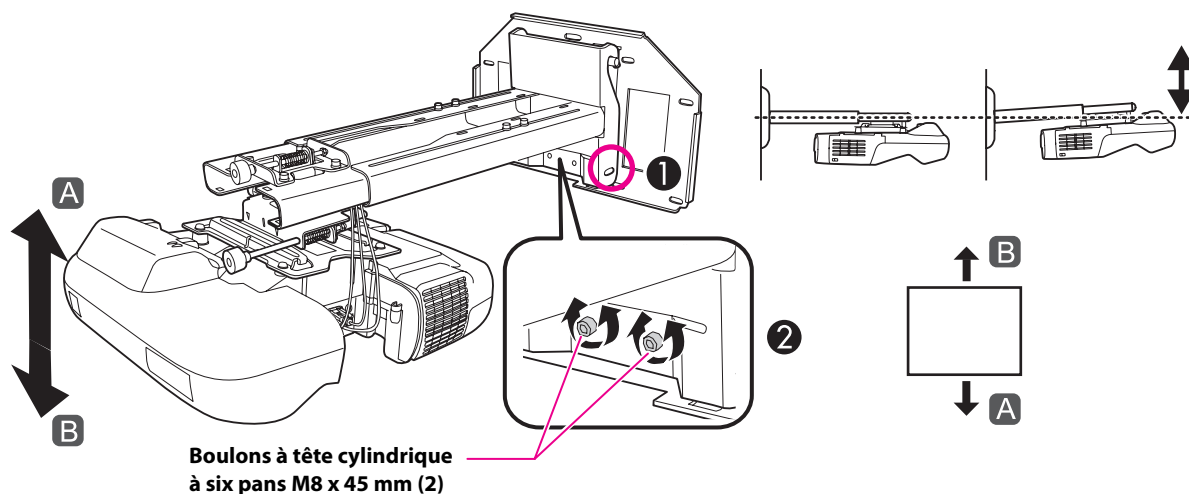


- (3) Une fois tous les réglages des étapes ⑤ à ⑨ terminés, serrez la vis que vous avez desserrée à l'étape ①.

⑧ Réglez la position verticale

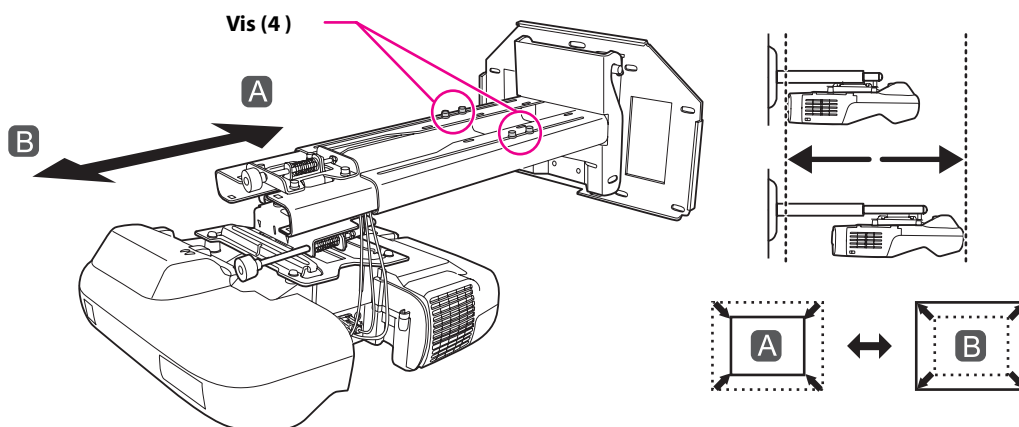
- (1) Réglez la position verticale et ensuite serrez les deux boulons à tête cylindrique à six pans M8 x 15 mm sur les côtés du support de montage (①).
- (2) Serrez les deux boulons à tête cylindrique à six pans M8 x 45 mm dans le bas du support de montage pour renforcer le réglage vertical (②).

L'image projetée est relevée ou abaissée en conséquence. Après avoir effectué ce réglage, il est possible que vous deviez ajuster l'inclinaison verticale de nouveau, tel que décrit à la page 54.



⑨ Réglez le coulissement vers l'avant/l'arrière

Desserrez les quatre vis et réglez la glissière du support de montage.



Une fois tous les réglages des étapes ⑤ à ⑨ terminés, serrez les vis.

10 Désactivez l'affichage de la mire ou l'image de l'ordinateur

Appuyez sur le bouton **Esc** de la télécommande ou du panneau de commande pour supprimer la mire.

⚠ Avertissement

Serrez fermement toutes les vis. Des vis insuffisamment serrées peuvent entraîner la chute du projecteur ou du support de montage et provoquer des blessures corporelles ou des dommages matériels.

7. Fixation des caches

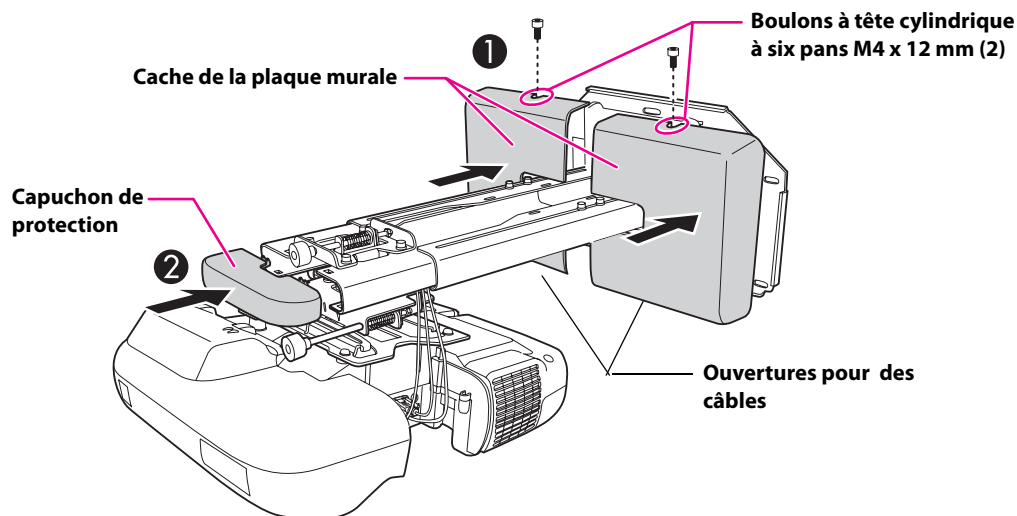
1 Fixez le cache de la plaque murale et le capuchon de protection

- (1) Fixez le cache de la plaque murale à l'aide des deux boulons à tête cylindrique à six pans M4 x 12 mm (1).



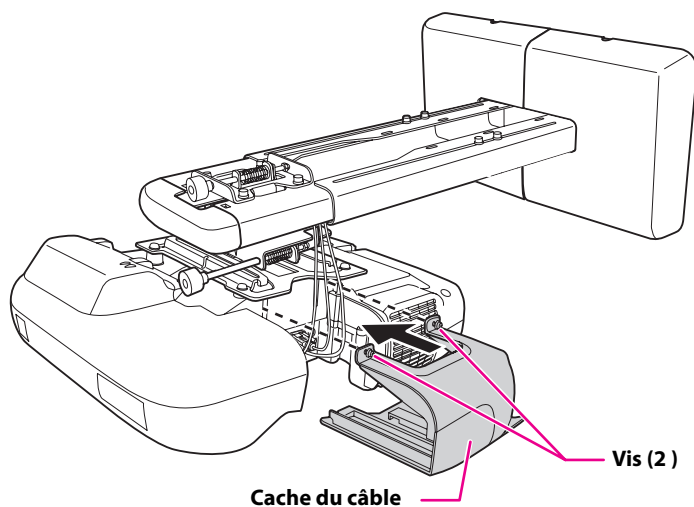
Si les câbles ne sont pas installés à l'intérieur du mur, il est possible que vous deviez les faire passer à travers les ouvertures de chaque côté de la plaque murale. Vous devrez peut-être découper une partie du cache de la plaque murale pour pouvoir passer les câbles à travers celui-ci.

- (2) Placez le capuchon de protection, partie concave orientée vers le haut (2).



2 Fixez le cache du câble au projecteur

Fixez le cache du câble et serrez les deux vis pour le bloquer en place.



Seul un spécialiste est autorisé à désinstaller ou réinstaller le projecteur, même pour l'entretien et les réparations. Reportez-vous au *Guide de l'utilisateur* de votre projecteur pour plus d'informations sur l'entretien et les réparations.

⚠ Avertissement

- Ne desserrez jamais les écrous et les boulons après l'installation. Vérifiez régulièrement que les vis ne se sont pas desserrées. Si vous constatez le moindre jeu, resserrez fermement les vis concernées. Des vis insuffisamment serrées peuvent entraîner la chute du projecteur ou du support de montage et provoquer des blessures corporelles ou des dommages matériels.**
- Ne suspendez aucun objet au support de montage ni ne posez d'objet lourd sur celui-ci. En cas de chute du projecteur ou du support de montage, il peut provoquer des blessures corporelles ou des dommages matériels.**

8. Annexe

Utilisation de Easy Interactive Function

Après avoir installé le projecteur, vous devez installer Easy Interactive Driver et procéder à un calibrage (pour aligner les positions du curseur et de Easy Interactive Pen).

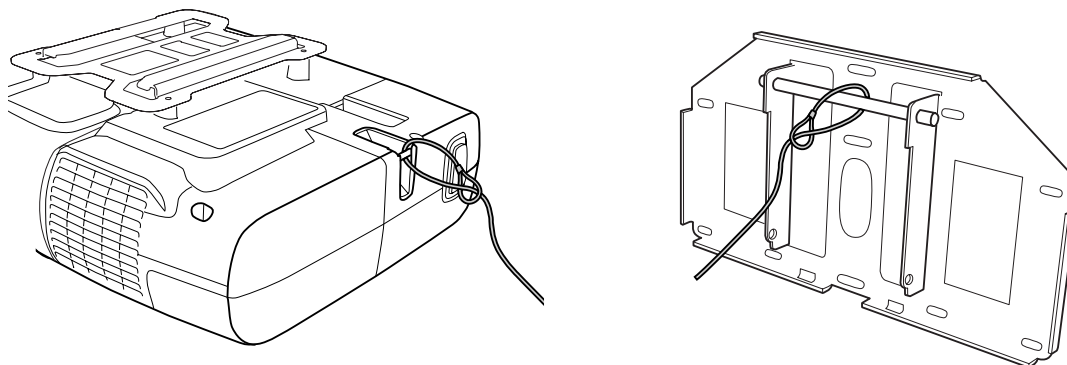
Pour plus d'informations, reportez-vous au *Guide rapide* ou au *Guide de l'utilisateur* fourni sur le CD-ROM du projecteur BrightLink 455Wi.

Fixation d'un câble de sécurité

Si le projecteur doit être installé dans une pièce qui ne sera pas surveillée, vous pouvez utiliser un verrou de câble antivol disponible dans le commerce pour fixer le projecteur à un pilier ou autre objet pour éviter qu'il soit volé.

Faites passer le câble du verrou antivol dans le point d'installation du câble de sécurité.

Pour plus d'informations sur le verrouillage du verrou de câble, reportez-vous au *Guide de l'utilisateur* fourni avec le verrou.



Lorsque l'installation du projecteur est terminée, assurez-vous de laisser les crayons, la télécommande, les piles, les CD des logiciels et le *Guide rapide* dans la pièce où le projecteur se trouve.



412016000

CPD-28213

Printed in: XXXXXX

Pays d'impression : XXXXXX

Free Manuals Download Website

<http://myh66.com>

<http://usermanuals.us>

<http://www.somanuals.com>

<http://www.4manuals.cc>

<http://www.manual-lib.com>

<http://www.404manual.com>

<http://www.luxmanual.com>

<http://aubethermostatmanual.com>

Golf course search by state

<http://golfingnear.com>

Email search by domain

<http://emailbydomain.com>

Auto manuals search

<http://auto.somanuals.com>

TV manuals search

<http://tv.somanuals.com>