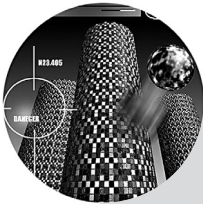


Home Projector
EH-TW3600
EH-TW3200

User's Guide



About the Manuals and Notations Used

Types of Manual

The documentation for your EPSON projector is divided into the following two manuals. Refer to the manuals in the order given below.

① Safety Instructions/Support and Service Guide

This manual contains information on using the projector safely, and also includes a guide for warranty service, and a troubleshooting check sheet.

Be sure to read this manual thoroughly before using the projector.

② User's Guide (this manual)



This User's Guide contains information on installing the projector, basic operations, using the configuration menus, troubleshooting and maintenance.

Notations used in this User's Guide








Safety indications

So that you can use the product safely and correctly, symbols are applied in the User's Guide and on the product to indicate possible harm to the user or to others and the risk of damage to property.

The indications and their meaning are as follows. Make sure you understand them properly before reading the guide.

 Warning	This symbol indicates information that, if ignored, could possibly result in death or personal injury due to incorrect handling.
 Caution	This symbol indicates information that, if ignored, could possibly result in personal injury or physical damage due to incorrect handling.

General information

	Indicates procedures where personal injury or damage to the projector may occur if the procedures are not followed correctly.
	Indicates additional information and points which may be useful to know regarding a topic.
	Indicates a page where useful information regarding a topic can be found.
	Indicates that an explanation of the underlined word or words in front of this symbol appears in the glossary of terms. Refer to the "Glossary" in the "Appendix".  p.56
 ,  etc.	Indicates buttons on the remote control or projector's control panel.
"Menu Name"	Indicates configuration menu items. Example: "Image"- "Color Mode"
[Name]	Indicates the port name of the projector. Example: [Video]

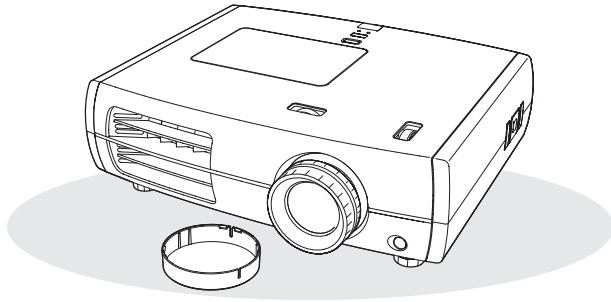
Meaning of "unit" and "projector"

When "unit" or "projector" appears in the text of this *User's Guide*, they may refer to items which are accessories or optional equipment in addition to the main projector unit itself.

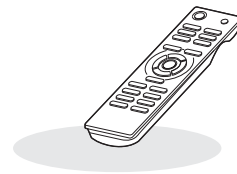
Checking the Components

When you unpack the projector, make sure that you have all these components.

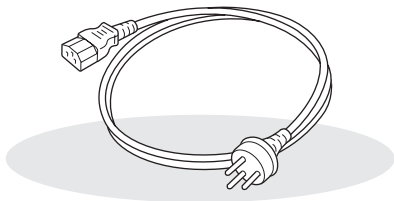
If any of the components are missing or incorrect, please contact the place of purchase.



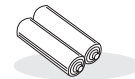
- Projector (with lens cover)**



- Remote control**

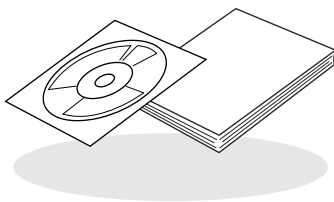


- Power cable (3.0m)**
Connect to the projector and to a wall outlet.



- AA-size alkali batteries (2 pcs.)**
Insert into the remote control.

Documentation



- Document CD-ROM**
(Safety Instructions/Support and Service Guide, User's Guide)
- Quick Start Guide**

■ Features of the Projector	4	Remote control	7
■ Part Names and Functions	6	Rear	8
Front / Top	6	Base	8
Control panel.....	6	■ Appearance	9

Installing the Projector

■ Setting up	10	■ Preparing the Remote Control	13
Adjusting the projection size.....	10	Inserting batteries into the remote control.....	13
Projection methods.....	11	Using the remote control	13
■ Connecting Image Sources	12		

Basic Operations

■ Starting and Stopping Projection	14	■ Adjusting the Projection Screen	16
Turning the power on and projecting images	14	Focus adjustment	16
When the expected images are not projected.....	15	Projection size adjustment (Zoom adjustment)	16
Turning the power off	15	Projection image position adjustment (Lens shift).....	16
		Adjusting the tilt of the projector	17
		Displaying a test pattern	17

Image Quality Adjustments


■ Basic Image Quality Adjustments	18	■ Examining Image Quality Further	23
Selecting the color mode.....	18	Sharpness (Advanced) adjustment.....	23
Selecting the aspect.....	18	Auto Iris (automatic aperture) setting.....	23
■ Advanced Color Adjustments	20	■ Viewing Images at a Preset Image Quality (Memory Function)	24
Hue, saturation, and brightness adjustment	20	Saving, Loading, Erasing and Renaming Memory	24
Gamma adjustment	20		
RGB adjustment (Offset, Gain)	22		

Configuration Menu

■ Configuration Menu Functions	26	"Memory" menu	36
Using the configuration menus	26	"Reset" menu	36
List of configuration menus	28		
"Image" menu	30		
"Signal" menu	31		
"Settings" menu.....	33		



Troubleshooting

■ Problem Solving	37
Reading the indicators	37
• When the  (warning) indicator is lit or flashing	37
• Indicator statuses in normal operation	38

When the indicators provide no help	39
• Problems relating to images	39
• Problems when projection starts	43
• Problems with the remote control	44

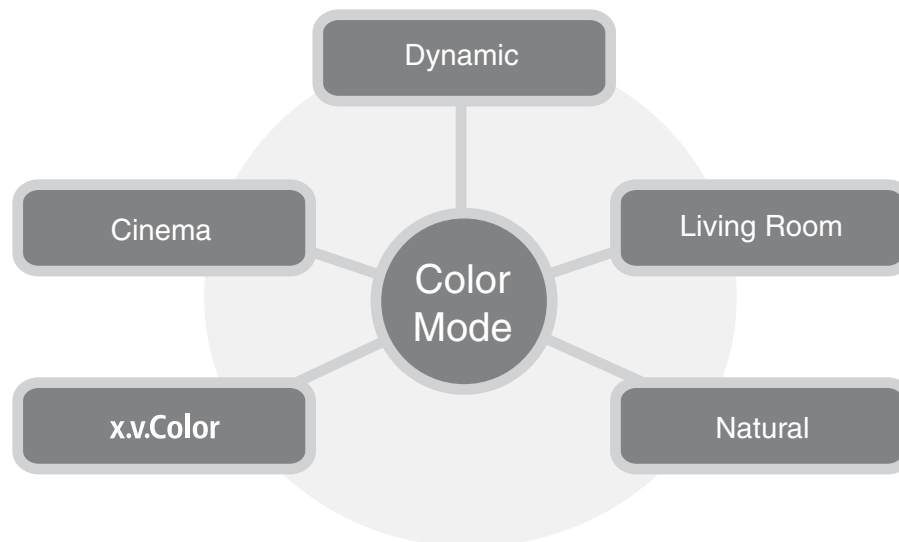
Appendix

■ Maintenance	45
Cleaning	45
• Cleaning the air filter	45
• Cleaning the projector case	46
• Cleaning the lens	46
Consumable replacement periods	47
• Air filter replacement period	47
• Lamp replacement period	47
Replacing consumables	48
• Replacing the air filter	48
• Replacing the lamp	48
• Resetting the lamp operating time	48

■ Optional Accessories/Consumables	50
■ List of Supported Monitor Displays	51
• Component Video	51
• Composite Video/S-Video	51
• Computer image (analog RGB)	52
• Input signal from the [HDMI1] / [HDMI2] input port	52
■ Specifications	53
■ Glossary	56
■ Index	58

▶ Image appearance can be selected to match the projection environment (Color Mode)

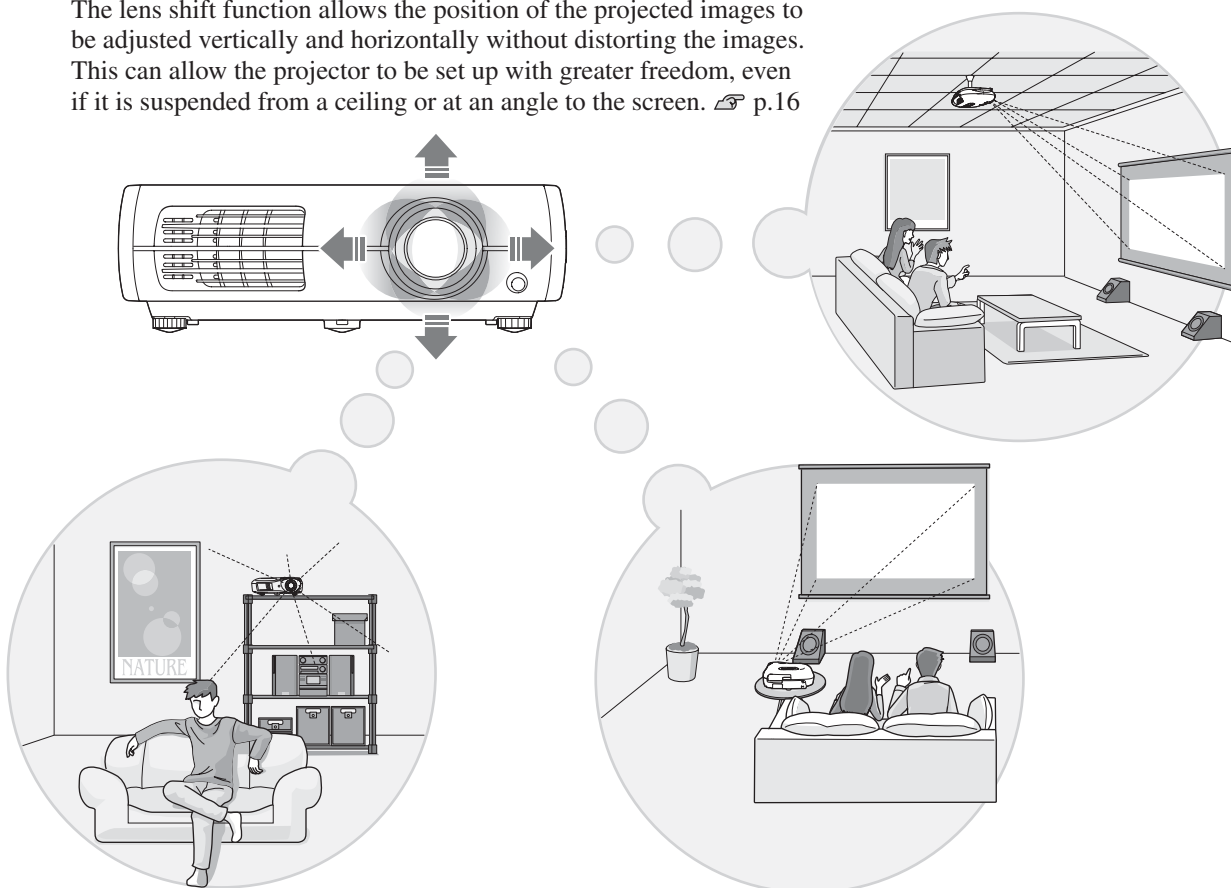
The optimum images for the location can be projected simply by selecting the desired color mode from the following five preset modes. [☞ p.18](#)




If "Natural", "Cinema" or "x.v.Color" is selected, the Epson Cinema Filter effect is applied automatically to increase the contrast and to make skin tones appear with more natural tints. [☞ p.18](#)

▶ Equipped with a wide-angle lens shift function


The lens shift function allows the position of the projected images to be adjusted vertically and horizontally without distorting the images. This can allow the projector to be set up with greater freedom, even if it is suspended from a ceiling or at an angle to the screen. [☞ p.16](#)



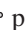
"x.v.Color" mode realizes more natural color reproduction

This mode is compatible with the extended-gamut color space standard for video (xvYCC). Extended-gamut color images output by equipment supporting this standard are more faithful to the original, and the viewer can enjoy clearer, more natural images.  p.18


Sophisticated color adjustment

In addition to the "Color Mode", the absolute color temperature and skin tones can be adjusted by simple procedures to render the picture even more to your own liking. Further, you can adjust gamma, the offset and gain for RGB colors, and the hue, saturation, and brightness of RGBCMY colors, to create colors that match the image.  p.20

Equipped with 2.1x short throw zoom lens





For zoom adjustment, 2.1x short throw zoom lens is provided. Images can be projected onto an 100" screen (16:9 screen only) even at a distance of approximately 3 m.  p.10

Advanced image quality adjustment functions

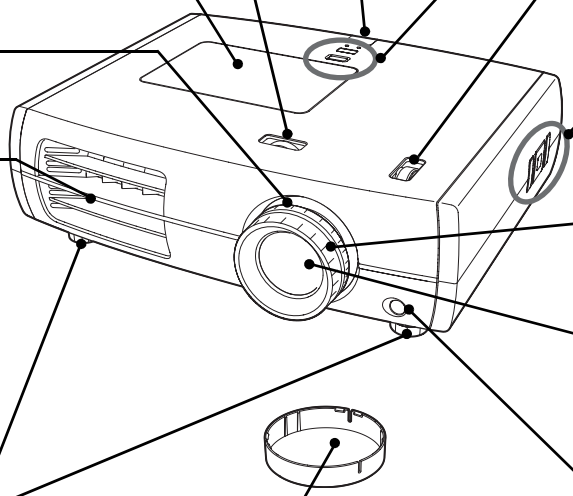










Advanced image quality adjustment functions such as "Auto Iris" and "Sharpness (Advanced)" can be used to enjoy even sharper images. With the Auto Iris function turned on, the amount of light can be automatically adjusted to match the images being projected, to create images with depth and perspective. The Sharpness function is used not only to adjust the entire image, but also to emphasize specific regions, such as hair and clothing.  p.23

Other functions to enjoy images more

Some of the other many functions are available as follows.

- EPSON Super White that prevents overexposure in images that are too bright  p.32
- The memory function makes it easy to store your preferred color tone settings for projected images into memory, and to load them again.  p.24
- Remote control with backlight provides greater visibility and ease of operation in dark rooms.  p.7
- Auto iris function automatically recognizes changes in the brightness of images to produce natural feelings of depth and stereoscopic effect.  p.23

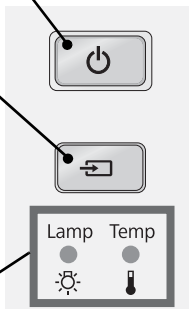



Front / Top

- 
- **Horizontal lens adjustment dial**  p.16
Turn the dial to move the position of the projection image to the left or right.
 - **Lamp cover**  p.48
Open this cover when replacing the lamp inside.
 - **Zoom ring**  p.16
Adjusts the image size.
 - **Air exhaust vent**
A discharge outlet for the air which cools the inside of the projector.
⚠ Caution
Do not place anything that can become warped or damaged by heat near the exhaust vents. Do not bring your hands or face close to the vents while projection is in progress.
 - **Front adjustable feet**  p.17
Extend to adjust the projection angle so that the projector is horizontal when placed on a desk top.
 - **Remote control light-receiving area**  p.13
Receives signals from the remote control.
 - **Top control panel**  See below
 - **Vertical lens adjustment dial**  p.16
Turn the dial to move the position of the projection image up or down.
 - **Side control panel**  See below
 - **Focus ring**  p.16
Adjusts the image focus.
 - **Projection lens**
Projects images from here.
 - **Remote control light-receiving area**  p.13
Receives signals from the remote control.
 - **Lens cover**
When not using the projector, attach this to the lens to protect the lens from damage and dirt.

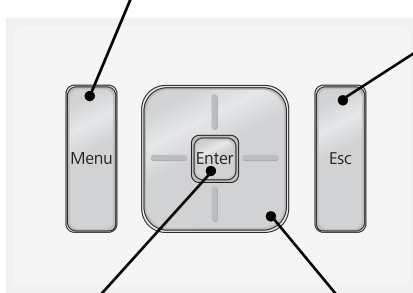




Control panel

Buttons with no explanation function in the same way as the corresponding buttons on the remote control. Refer to "Remote control" for further details on these buttons.

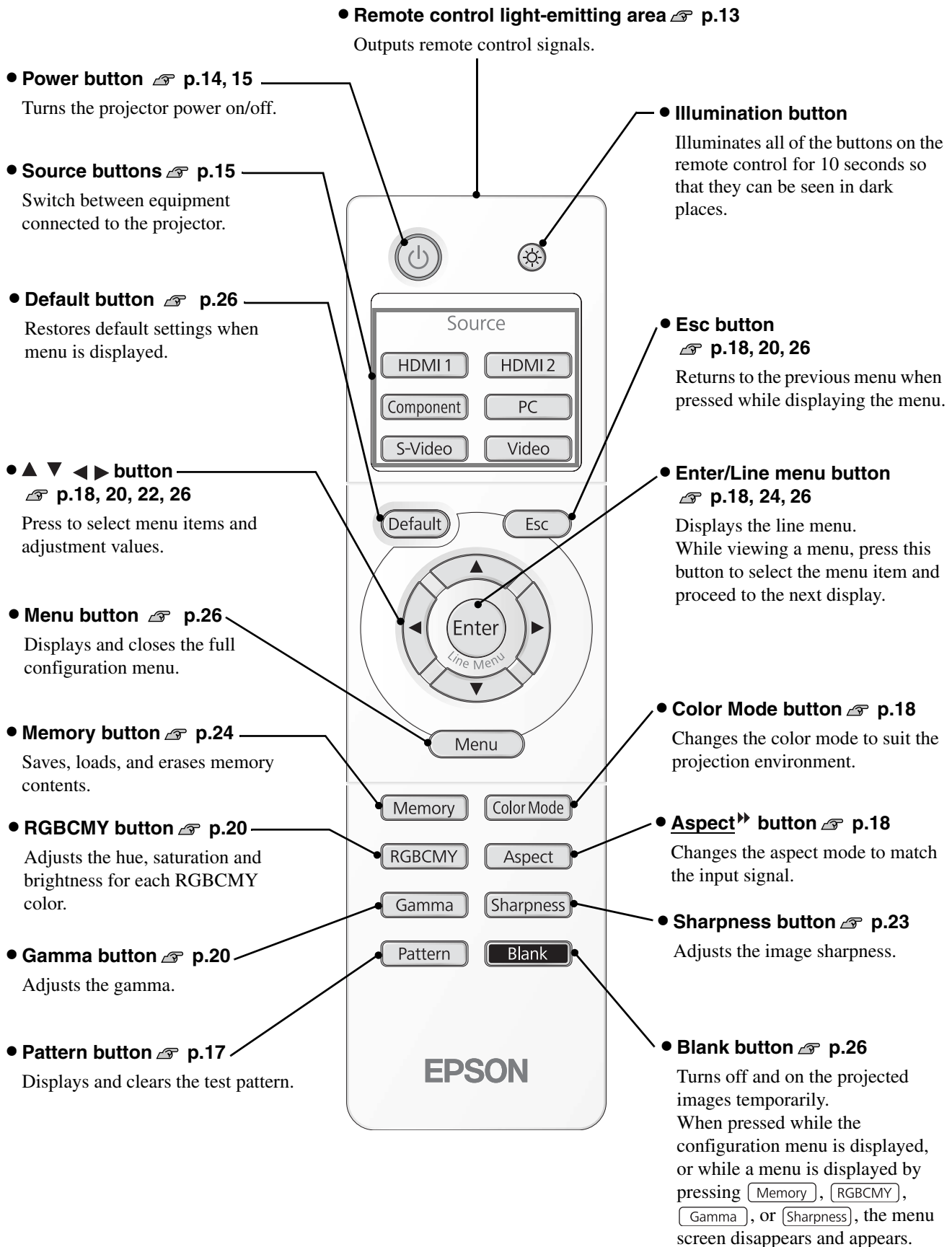
Top control panel

- 
- **Power button**  p.14, 15
 - **Source button**  p.15
Displays a list of input sources and switches to your desired input source.
 - **Warning indicator**  p.37
Flashes or lights in different colors to indicate problems with the projector.

Side control panel

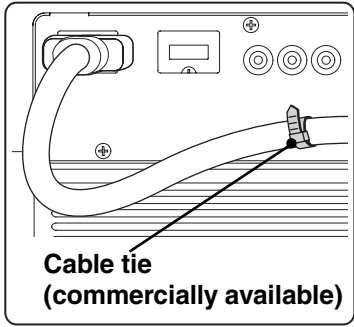
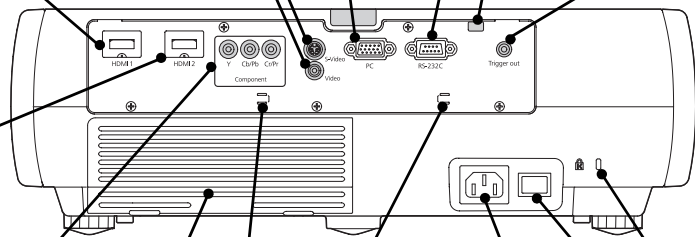
- 
- **Menu button**  p.26
 - **Esc button**  p.18, 20, 26
 - **Enter/Line menu button**  p.18, 24, 26
 - **button**  p.18, 20, 22, 26

Remote control



Rear

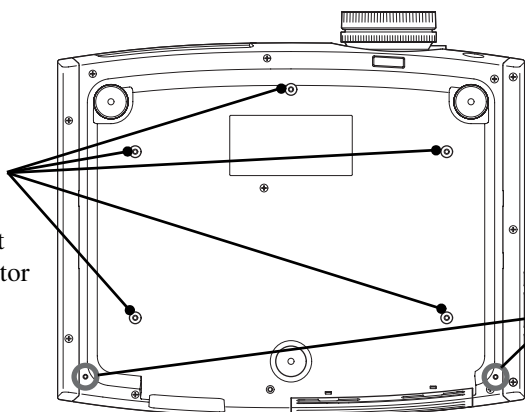
- **[S-Video] input port** p.12
Connects to the S-Video out ports of the video equipment.
- **[Video] input port** p.12
Connects to the Composite Video output port of the video equipment.
- **[HDMI1] input port*** p.12
Connects to an HDMI™-compatible video source or to a computer.
- **[HDMI2] input port*** p.12
Connects to an HDMI™-compatible video source or to a computer.
- **[Component] input port** p.12
Connects to the component (YCbCr or YPbPr) out port of the video equipment.
- **[PC] input port** p.12
Connects to the RGB out port of the computer.
- **[RS-232C] port**
Connects to a computer using an RS-232C cable to control the projector from the computer. This is not used in normal use.
- **Lamp cover open switch** p.48
Press to open the lamp cover.
- **[Trigger out] port**
Outputs a 12-volt DC signal when the projector is turned on. It is used to transmit the power status of this projector (on/off) to external equipment such as a motorized screen.
- **Security lock** p.57
- **Main power switch** p.14
- **[Power] inlet** p.14
Connects the power cable.
- **Air inlet (air filter)** p.45, 48
This draws in air for cooling the inside of the projector. If dust collects on the filter, the temperature inside the projector will rise and problems with operation or more rapid deterioration of the optical components may occur. The air filter should be cleaned periodically.
- **Cable holders**
When an HDMI cable with a large outer diameter is connected to the input port, the weight of the cable may cause it to hang down and result in a poor connection. To prevent this by securing the cable, you can pass a commercially-available cable tie through one of the two holders whichever is more convenient for you.

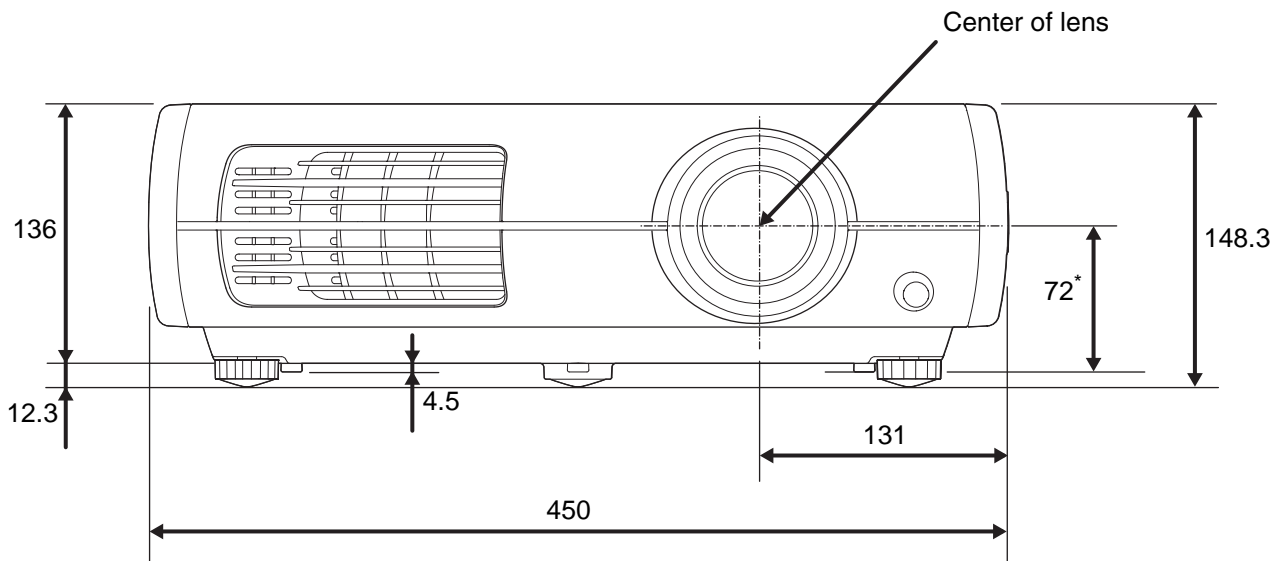


* Compatible with HDCP

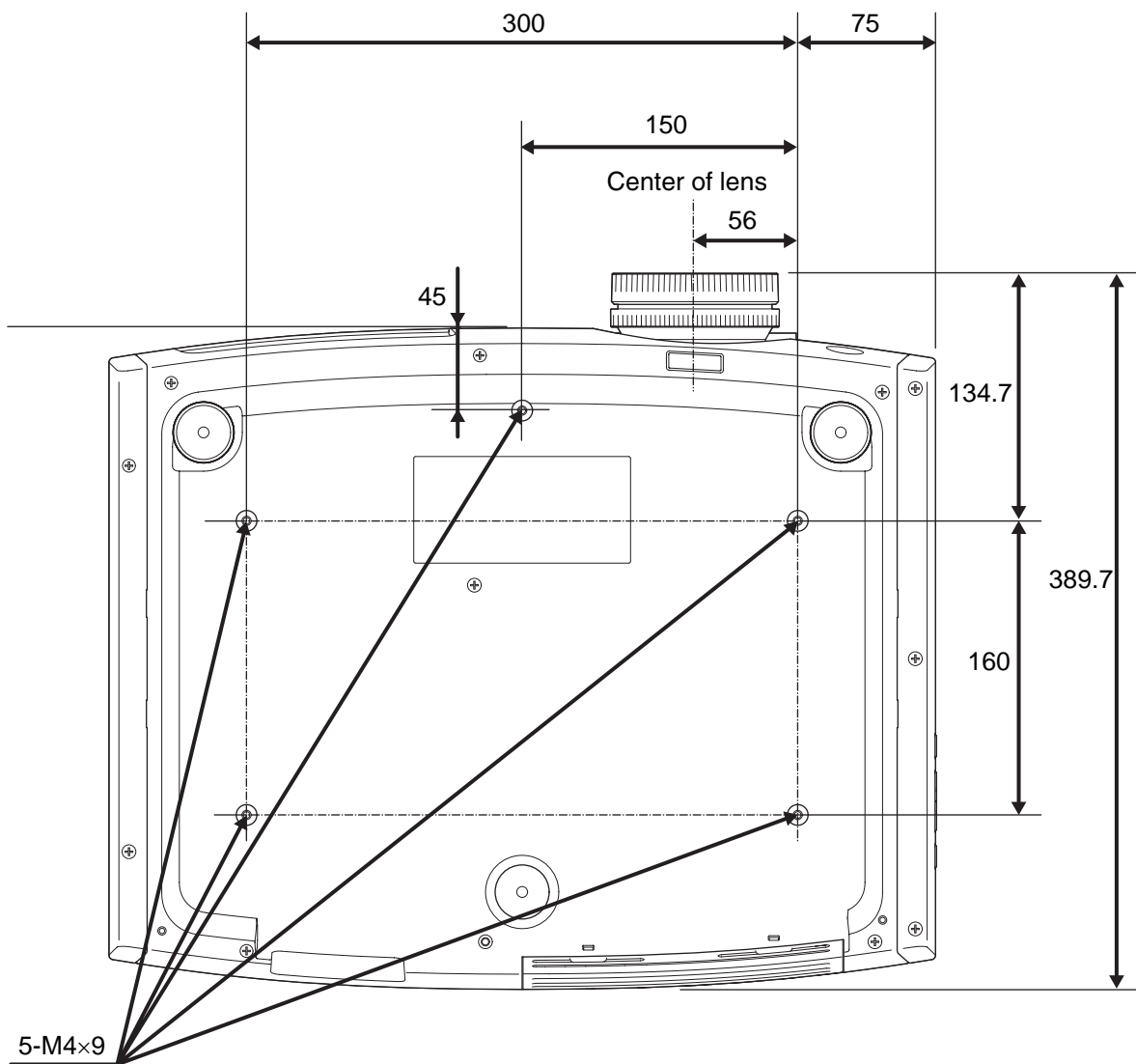
Base

- **Suspension bracket fixing points (5 points)** p.50
Install the optional ceiling mount here when suspending the projector from a ceiling.
- **Cable cover stays (2 places)**
Attach the optional cable cover here.





* Distance from center of lens to suspension bracket fixing point

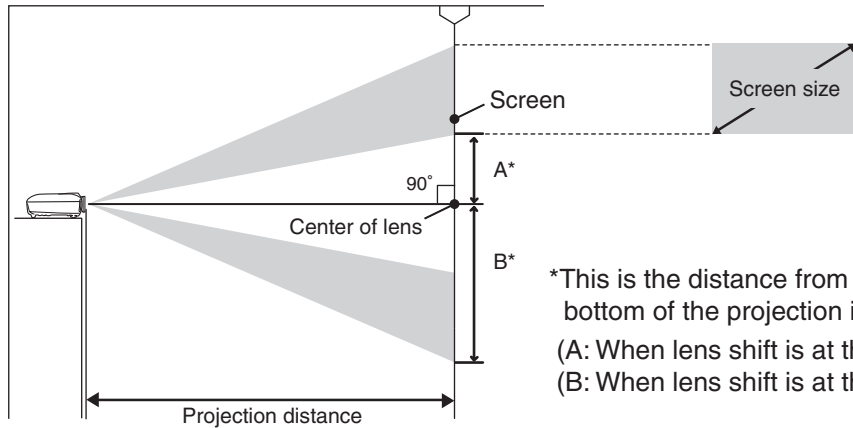


Units: mm

Adjusting the projection size

When the projector is further away from the screen, the projection image size are larger. While referring to the table below, position the projector so that the images are projected onto the screen at the optimum size.

The values should be used as a guide for setting up the projector.



*This is the distance from the center of the lens to the bottom of the projection images.

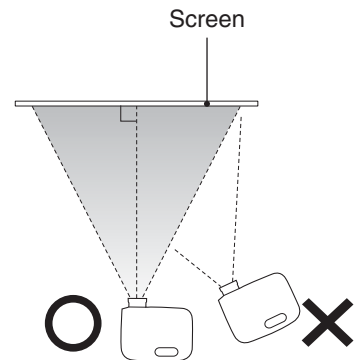
(A: When lens shift is at the highest setting)
(B: When lens shift is at the lowest setting)

Units: cm

16:9 screen size		Projection distance		A	B
		Shortest (Wide)	Longest (Tele)		
30"	66×37	87	188	17	55
40"	89×50	117	252	23	73
60"	130×75	177	380	35	109
80"	180×100	238	508	46	146
100"	220×120	298	636	58	182
120"	270×150	359	764	69	219
150"	330×190	450	956	86	273
200"	440×250	601	1276	115	364

Units: cm

4:3 screen size		Projection distance		A	B
		Shortest (Wide)	Longest (Tele)		
30"	61×46	107	231	21	67
40"	81×61	144	309	28	89
60"	120×90	218	466	42	134
80"	160×120	292	623	56	178
100"	200×150	366	779	71	223
120"	240×180	440	936	85	268
150"	300×230	551	1171	106	334
200"	410×300	736	1562	141	446



Set up so that the projector is parallel to the screen. If the projector is set up at an angle to the screen, distortion of the images will occur.

Lens shift adjustment

The lens shift can be used to position the image and the feature is especially useful under the following conditions.

☞ p.16

- When the projector is suspended from the ceiling
- When the height of the projector does not match with that of the screen
- When the projector is set up to the side so that the screen can be viewed sitting right in front of it

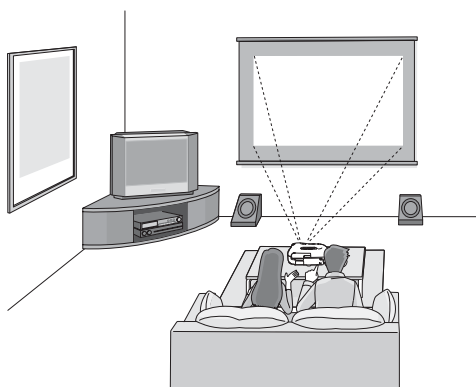
When positioning an image using the lens shift dial, hardly any deterioration of the image occurs because the lens shift correction is adjusted optically. However, for optimal image quality the lens shift function should not be used.

Projection methods

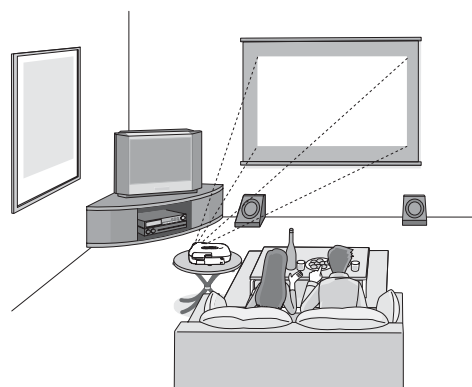
- Warning**
- If you are installing the projector on the ceiling, this projector should be installed by qualified technicians using only approved mounting equipment. If installation work is not carried out correctly, the projector could fall down. This may result in injury or accidents. Contact your dealer to carry out the installation work.
 - If you use a ceiling mount and apply adhesives to the mount to prevent the screws from loosening, or if you use lubricants or oils on the projector, the projector housing may crack and the projector may fall from its ceiling mount. This could cause serious injury to anyone under the mount and could damage the projector. When installing or adjusting a ceiling mount, do not use adhesives to prevent the screws from loosening and do not use oils or lubricants.

- Attention**
- Do not use the projector in places where there is a lot of humidity or dust, near cooking or heating appliances, or in places where it may come into contact with smoke or steam. Do not use or store this projector outdoors for an extended length of time. Fire or electric shock may result.
 - Clean the air filter at least once every 3 months. Clean the air filter more frequently if using the projector in a dusty environment.
 - Do not use the projector on its side. This may cause malfunctions to occur.

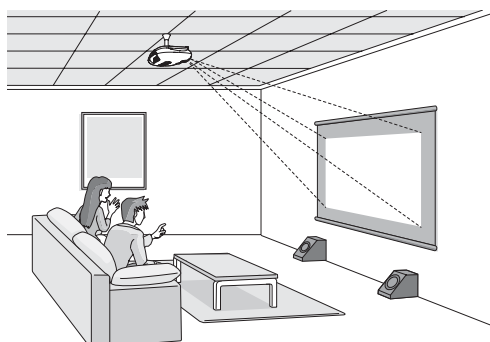
■ When projecting from directly in front



■ When projecting from the side of the screen



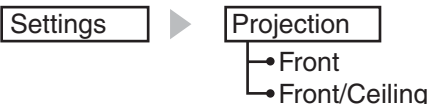
■ When projecting from a ceiling



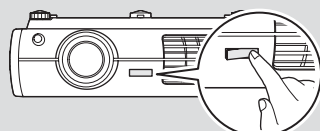
* If you place the projector off to the side, aim it straight ahead (rather than at the center of the screen), then use the horizontal lens shift dial to center the image on the screen.

* When suspending the projector from a ceiling, change the configuration menu settings. p.34

Configuration menu



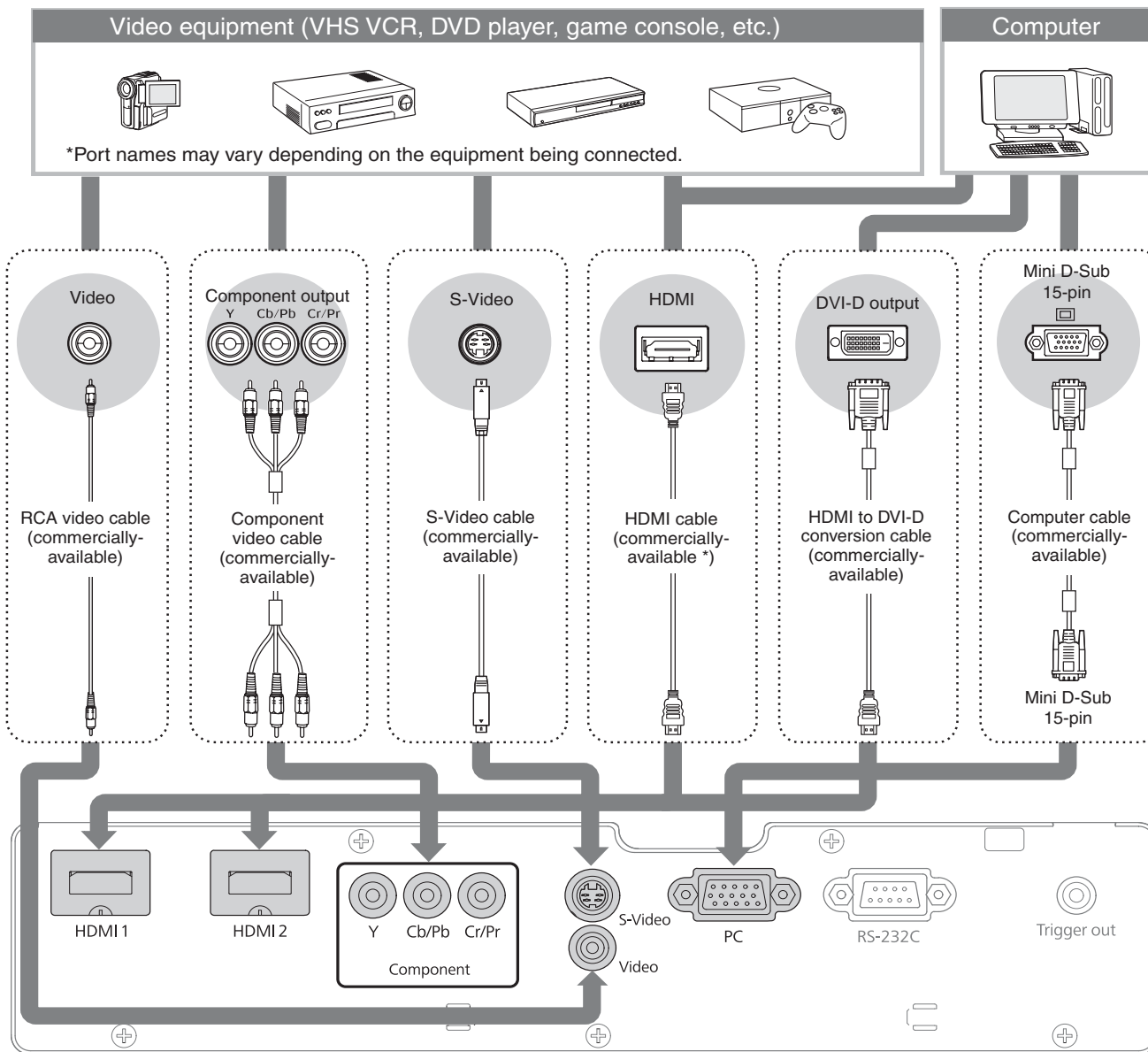
You can rotate the EPSON logo plate around 180 degrees when suspending the projector from a ceiling.



When one end of the plate is pressed, the opposite end lifts up, so you can pull it out slightly, turn it around and then push it back in.

Attention

- Turn the power off for both the projector and the signal source before connecting them. If the power for either device is on at the time of connection, damage may result.
- Check the shapes of the cable connectors and the device ports before making the connections. If you try to force a connector to fit a device port with a different shape or number of terminals, a malfunction or damage to the connector or port may result.



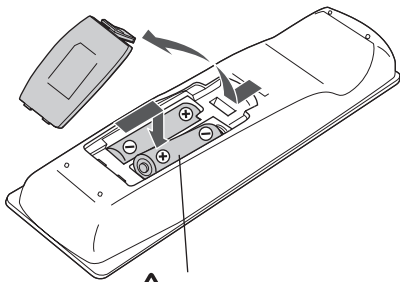
* Use a HDMI cable that conforms to the HDMI specifications.



TIP

The cables used will vary depending on the output signals of the video equipment which is being connected. Some video equipment can output several different types of signal. Refer to the documentation provided with the video equipment for details on what types of signal the video equipment can output.

Inserting batteries into the remote control



⚠ Caution

Check the (+) and (-) indications inside the battery compartment and insert the batteries so that they face correctly.

At the time of purchase, the batteries are not inserted into the remote control. Insert the supplied batteries before using the remote control.

- 1 Lift up the battery cover while pressing its tab.
- 2 Insert the batteries in the correct direction.
- 3 Close the cover.

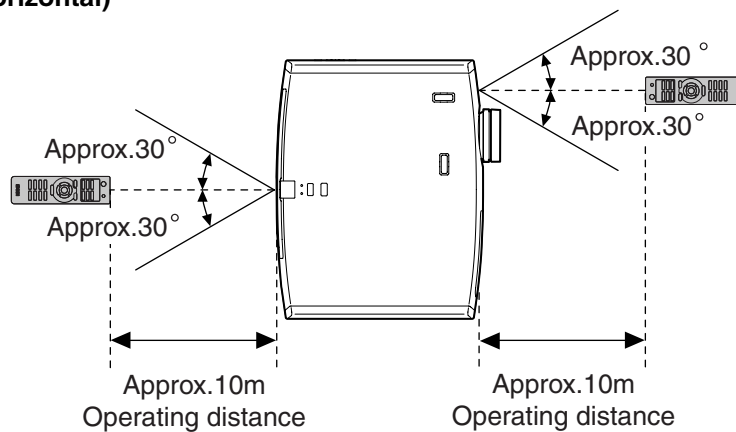


TIP

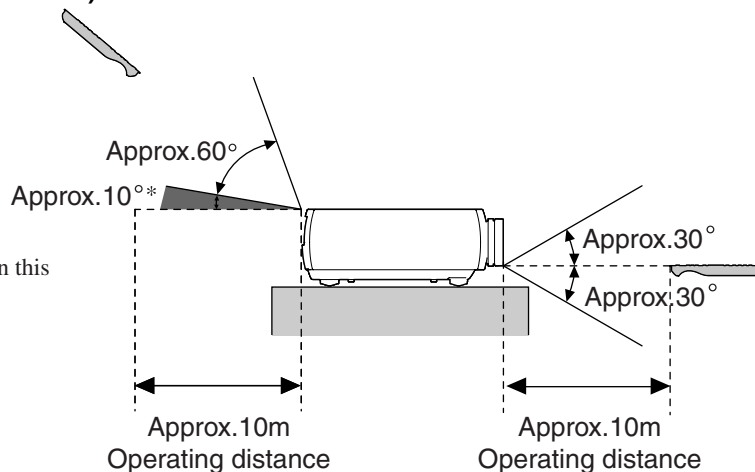
If delays in the responsiveness of the remote control occur or if it does not operate after it has been used for some time, it probably means that the batteries are becoming flat. When this happens, replace them with new batteries. Have two AA size manganese or alkaline batteries ready. You cannot use other batteries except for the AA size manganese or alkaline.

Using the remote control

■ Operating range (horizontal)

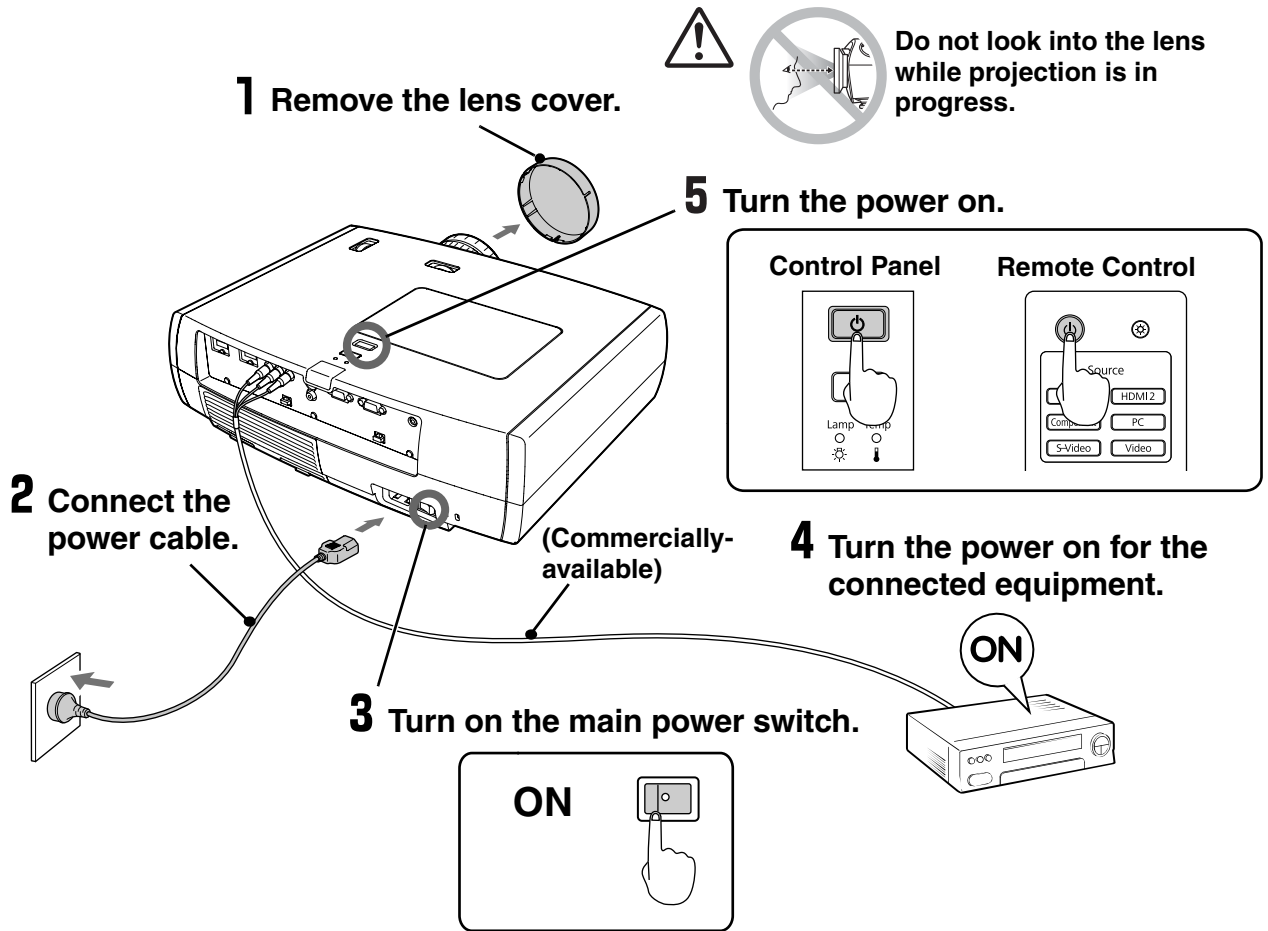


■ Operating range (vertical)



* Remote control signals cannot be received within this range.

Turning the power on and projecting images



If there is a problem with projection even though the projector is set up and connected correctly, refer to [p.15, 37](#).



TIP

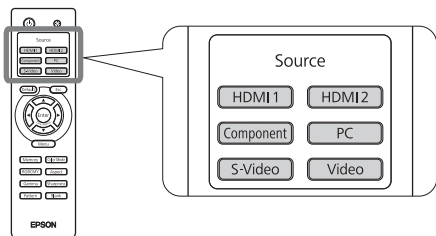
- If you set the "Direct Power On" to "On", the power of the unit will turn on when the main power switch is turned on, without having to press the power button of the remote control or the projector's control panel. [p.33](#)
- The projector is equipped with the "Child Lock" function that prevents young children from accidentally turning the power on and looking into the lens, and also the "Control Panel Lock" function that prevents mis-operations is available. [p.33](#)
- When using the projector at an altitude of about 1500m or above, make sure you set the "High Altitude Mode" to "On". [p.34](#)
- This projector is equipped with an automatic adjustment function that automatically optimizes it when a computer input signal is switched.
- If a laptop computer or a computer with a LCD screen has been connected to the projector, you may need to use keyboard or function settings to change the output destination. While holding down the **Fn** key, press **F₀** (the key with a symbol such as / on it). After the selection is made, projection will soon start.
[Computer's documentation](#)

Example of output selection	
NEC	
Panasonic	Fn + F3
SOTEC	
HP	Fn + F4
Toshiba	Fn + F5
IBM	
LENOVO	Fn + F7
SONY	
DELL	Fn + F8
Fujitsu	Fn + F10
Macintosh	Set mirror setting or display detection. Depending on OS, you can change the output selection by pressing F2 .

When the expected images are not projected

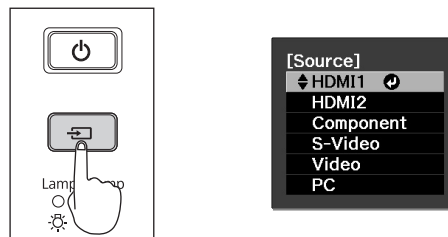
If more than one signal source has been connected, or if no images are projected, use the remote control or the projector's control panel buttons to select the signal source. For video devices, press the [Play] button on the video equipment first, then select the signal source.

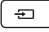
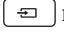

Using the remote control



Press the button that has the name of the port on it that the desired signal source is connected to.


Using the control panel









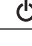
When you press , the menu is displayed. Each press of  moves the pointer. Move the pointer to the target input source to select it. The input source is automatically switched when no operations are performed about three seconds with placing pointer at the target input source. You can also press  to switch to the target source.




TIP

When the color of the image projected from the [Component] input port is unnatural, select an appropriate signal according to the signal from the device connected at "Input Signal" in the Configuration menu.  p.35


Turning the power off

- 1 Turn the power off for the signal sources that are connected to the projector.
- 2 Press  on the remote control or  on the projector's control panel.
A standby confirmation message will be displayed, so press  or  once more.
- 3 When cool-down^{*)} (approximately 16 seconds) is completed, flashing around the  stops and you can then turn off the main power switch.
Simply pressing  or  does not stop electricity consumption.
- 4 Attach the lens cover.

Power Off?

Yes : Press  button
No : Press any other button

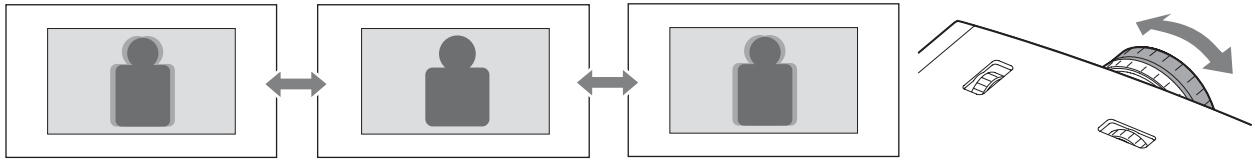
You can select whether the standby confirmation message is displayed (On) or not displayed (Off) in the Configuration menu.

If it is set to Off, the power will turn off with a single button operation.  p.34

If the projector is suspended from a ceiling and the lens cover is left removed, the lens cover will still be needed if the projector is moved anywhere, so keep it in a safe place.

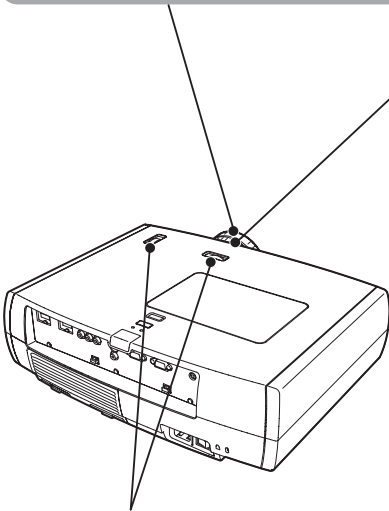
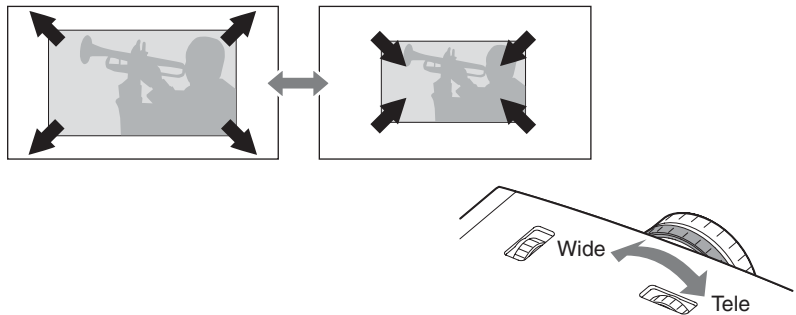
Focus adjustment

Turn the focus ring to adjust the focus.



Projection size adjustment (Zoom adjustment)

Turn the zoom ring to adjust the size of the projected image.

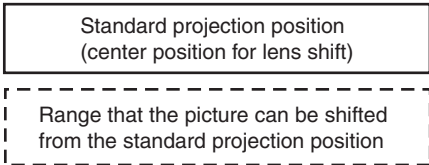
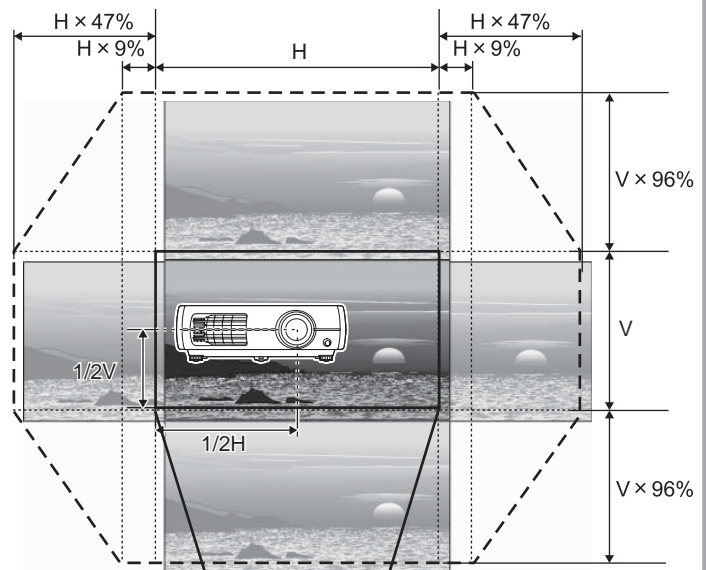


Projection image position adjustment (Lens shift)

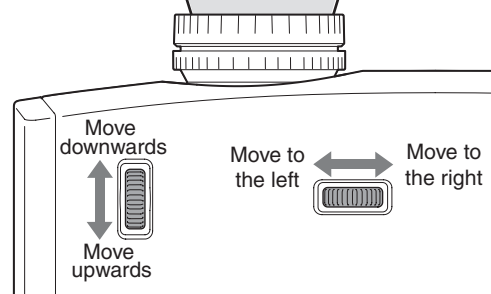
If the projector cannot be set up directly in front of the screen, you can use the lens shift function to move the position of the projected images vertically or horizontally within the range shown at right. While turning the lens shift dials, the position where a click is heard is currently at about the middle of the shift range.

The image position cannot be moved to the maximum vertical values and maximum horizontal values at the same time.



Ex) The image cannot be shifted vertically when it has been shifted horizontally by the full amount. When the image has been shifted vertically by the full amount, it can be shifted up to 9% of the horizontal width of the screen.

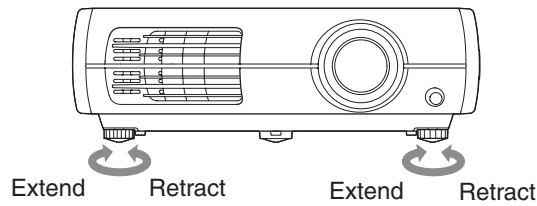


Attention When transporting the projector, make sure to turn the lens position down by the full amount. Otherwise the lens shift mechanism may be damaged.



Adjusting the tilt of the projector

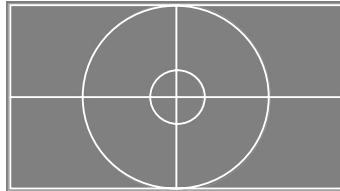
When an image from the projector that is placed on a flat surface is tilting horizontally ( ) , use the front feet to correct the tilt.



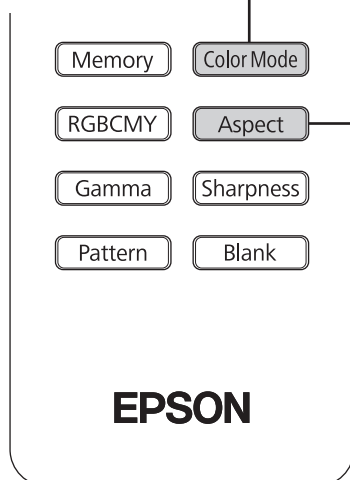
Displaying a test pattern

You can use a test pattern to make the first setup such as zoom, focus, and image position using the lens shift without connecting to any electrical equipment.

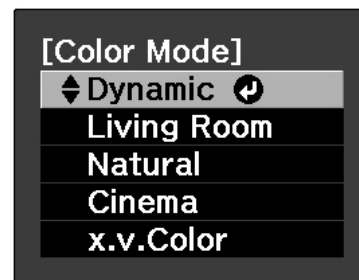
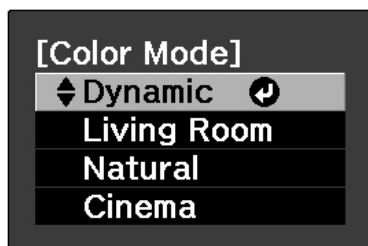
If on the remote control is pressed, the test pattern appears.



To stop displaying the test pattern, press again.



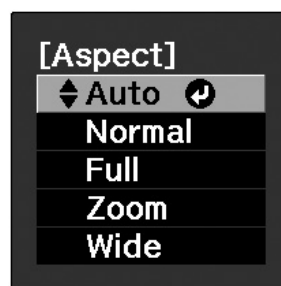
Selecting the color mode



Press **Color Mode** and select the color mode from the menu. Setting is also possible using the configuration menu.

Inputting a signal to the HDMI1/HDMI2 terminals.

Selecting the aspect



Press **Aspect** and select the aspect mode from the menu.

When 720p, 1080i or 1080p signals are being input to the [HDMI1], [HDMI2] or [Component] input port, the aspect setting is fixed at "Normal" and cannot be changed.

When projecting using **Auto**

- For 4:3 input signals → Normal
- For input images recorded in squeeze mode → Full
- For letterbox input signals → Zoom
- This is not available for when image signals are being input from a computer and for some component video signals.
- If Auto is not suitable, the setting will become Normal.

Select Menu Operations

Use to select an item. Press to confirm the selection.

*If you press **Esc**, the Select menu disappears.



TIP

If you project an image that is compressed, enlarged or separated using the aspect function in public places such as a store or hotel for the purposes of profit-making or public display, it may result in infringing on the author's right that is protected by copyright law.

Dynamic : Ideal for using in a bright room.







Cinema : Ideal for watching movies and concerts in a dark room.

Living Room : Ideal for using in a bright room. Provides clear and crisp images with vivid colors.


x.v.Color : You can select from either of the signals being input to the HDMI1 and HDMI2 terminals. If this is used when viewing images which have been recorded in the x.v.Color standard, a true natural color representation will be obtained. ↗ p.4

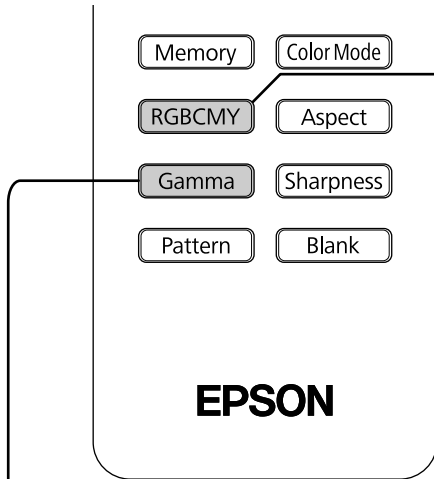
Natural : Ideal for using in a dark room. It is recommended that you start in this mode when making color adjustments.

When the **■** mode is selected, the EPSON cinema filter is automatically applied and the original colors of the image source are reproduced more exactly.

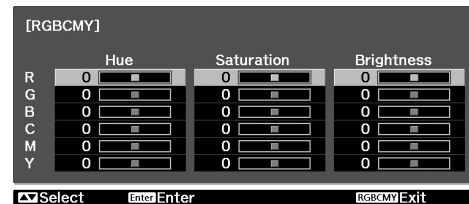
Input signal	<ul style="list-style-type: none"> Images with standard aspect ratio (4:3) Computer images 	Images recorded by a video camera or DVD software in squeeze mode	Letterbox images	Images with standard aspect ratio (4:3)
Recommended aspect mode	Normal	Full	Zoom	Wide
Result	 <p>Black bands will appear at the left and right of the images.</p>	 <p>Input signals will be projected at the same width as the projector's panel resolution.</p>	 <p>Input signals will be projected at the same height as the projector's panel resolution.</p>	 <p>Input signals will be projected at the same height as the projector's panel resolution. At this time, the image enlargement ratio will be smaller near the middle of the images but become larger towards the left and right edges of the images.</p>
Remarks	 <p>When HDTV mode images are projected, the images appear in 16:9 size.</p>	 <p>When 4:3 images are projected, the images will be elongated horizontally.</p>	<ul style="list-style-type: none"> When a 4:3 image is projected, the top and bottom of the image are hidden from view. If this happens, the part of the image hidden from view at the top and bottom can be reduced in size in the vertical direction so that it can be viewed by "Zoom Size" in the Configuration menu. ↗ p.31 When images with subtitles are projected and the subtitles are truncated, use the "Zoom Caption Pos." menu command to adjust. ↗ p.31 	<p>This is useful for when 4:3 images are projected onto a wide screen. Because there is almost no distortion due to enlargement in the middle of the images, the images appear close to what they would be at their original size. And because both ends of the images are enlarged, movement at the edges of the images appears faster and gives an impression of greater speed, making it ideal for viewing sporting events.</p>

You can select "Sharpness" or "Advanced" in the "Image" menu to adjust the images according to your own preferences. The adjustment screens for "Gamma" and "RGBCMY" can be displayed on the screen directly by pressing the corresponding buttons on the remote control.

The adjustment values can be stored in the memory so that you can retrieve them and apply them to the projected images at any time. ( p.24)

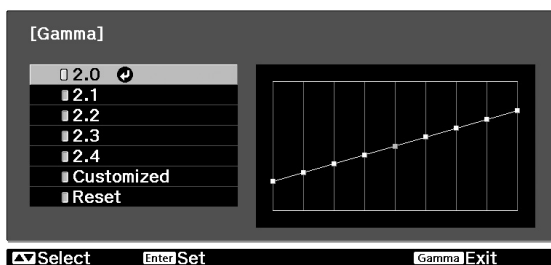


Hue, saturation, and brightness adjustment



The hue, saturation, and brightness for each of the R (red), G (green), B (blue), C (cyan), M (magenta) and Y (yellow) color components can be adjusted. Adjustment is not possible when "Color Mode" is set to "x.v. Color".




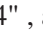
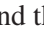
Gamma adjustment



Differences between equipment may result in a slight variation in the coloring when images are projected, and you may want to adjust this. (Projection will stop temporarily during such adjustment.) There are two methods of doing so. One is to select one of the gamma correction values [2.0], [2.1], [2.2], [2.3], [2.4]. The other is customized adjustment, which is done with reference to the projected image or a gamma graph. The gamma graph's horizontal axis represents the input signal level and its vertical axis the output signal level.

Adjustment is not possible when "Color Mode" is set to "x.v. Color".

Adjusting from the gamma correction values

Use  or  or  (UP or DOWN) to select the correction value that suits the connected equipment and your own preferences from "2.0", "2.1", "2.2", "2.3" or "2.4", and then press  or  to confirm the selection.

Observe the gamma graph to check the result of the adjustment.

When a smaller value is selected, the dark areas of images become brighter, but the lighter areas may become oversaturated. This is indicated by bulging in the upper portion in the gamma graph.

When a larger value is selected, the bright areas of images become darker. This is indicated by bulging in the lower portion in the gamma graph.

■ Hue





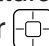
Adjusts the tone of the entire image to bluish, greenish and reddish.

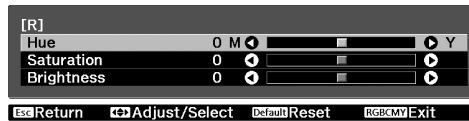
■ Saturation

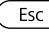

Adjusts the overall vividness of the images.

■ Brightness

Adjusts the brightness of the overall image.





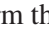
1 Use   or  (UP or DOWN) to select and confirm the color, and then select either "Hue", "Saturation" or "Brightness" and then use  or  (LEFT or RIGHT) to make the adjustment.



To adjust another color, press . To return the adjustment results to their default settings, press .




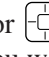

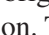
2 Press  to exit the menu.

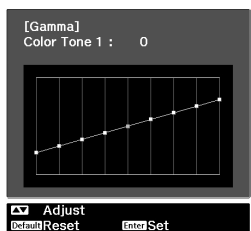
■ Customized ("Adjust it from the image")



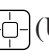
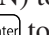
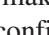
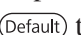
Use   or  (UP or DOWN) to select "Customized" - "Adjust it from the image" in that order, and then press  or  to confirm the selection.

A gamma icon will appear in the projected image.








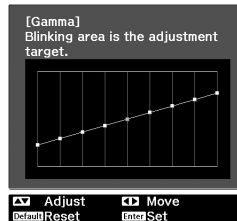
Use    or  to move the gamma icon to the place where you want to adjust the brightness, and press  or  to confirm the selection. The place selected and the regions of the same brightness will flash, and a gamma graph will appear.





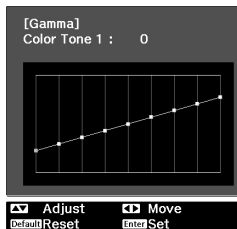
Use   or  (UP or DOWN) to make the adjustment, and then press  or  to confirm the adjustment. Press  to go back and do it again.




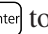

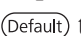
■ Customized ("Adjust it from the graph")

Use   or  (UP or DOWN) to select "Customized" - "Adjust it from the graph" in that order, and then press  or  to confirm the selection. A gamma adjustment graph will appear.



Use  or  (LEFT or RIGHT) to select the place where you would like to adjust the brightness of the color tone.



Use   or  (UP or DOWN) to make the adjustment, and then press  or  to confirm the adjustment. Press  to go back and do it again.

RGB adjustment (Offset, Gain)

The image brightness can be adjusted by adjusting the individual R (red), G (green) and B (blue) components of the dark areas (offset) and bright areas (gain).

Adjustment is not possible when "Color Mode" is set to "x.v. Color".

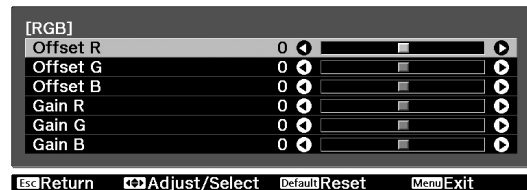
■ Offset





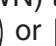

If you would like dark areas to appear more clearly, change the setting to the + (right) side. If you change it to the – (left) side, the whole image will become sharper, but the contrast in dark areas will become poorer.

■ Gain

If you would like bright areas to appear more clearly, change the setting to the – (left) side. If you change it to the + (right) side, you will feel that the image is becoming brighter and closer to white, but the contrast in light areas will become poorer.

- 1 Press **Menu** and then select "Image" - "Advanced" - "RGB" in that order and confirm the selection.



- 2 Use   or  (UP or DOWN) to select an item, and then use   or  (LEFT or RIGHT) to make the adjustment.

To return the adjustment results to their default settings, press **Default**.

- 3 Press **Menu** to exit the menu.

In addition to color adjustments, adjustments to advanced sharpness and the amount of light from the lamp can also be made to match the image in search of the best picture.

Sharpness (Advanced) adjustment

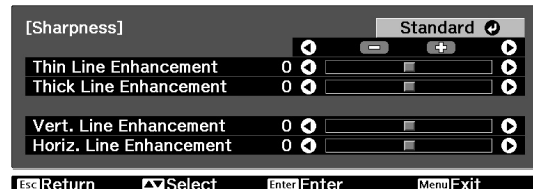
If "Thin Line Enhancement" is set in the + direction, hair and the detailed areas of clothing will be emphasized.






If "Thick Line Enhancement" is set in the + direction, the areas emphasized by "Thin Line Enhancement" will be hardly emphasized. Instead, the rough areas of the entire subject, such as contour and background, will be emphasized, resulting in a sharp image.

Setting "Horiz. Line Enhancement" / "Vert. Line Enhancement" to the + side will enhance the image sharpness in the horizontal / vertical direction. Setting them to the - side will give a soft image.

This cannot be adjusted during input of computer image signals.

- 1 Press **Menu**, and then select "Image" - "Sharpness". Select "Advanced" at the top-right corner of the screen to confirm the selection.



- 2 Use   or  (UP or DOWN) to select a menu item, and use  or  (LEFT or RIGHT) to make adjustments. You can adjust "Thin Line Enhancement" and "Thick Line Enhancement" at the same time by using the bar on the top in the screen. To return the adjustment results to their default settings, press **Default**.

- 3 Press **Menu** to exit the menu.

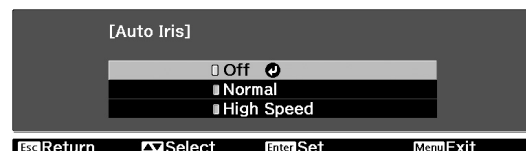
By pressing **Sharpness** on the remote control, you can directly display the sharpness setting ("Standard"/"Advanced") screen just as selected using "Sharpness" of the "Image" menu.

Auto Iris (automatic aperture) setting

When "Auto Iris" is on, the light intensity from the lamp is automatically controlled according to the brightness of images, and you can get higher contrast and rich images. Tracking speed of the light intensity control in response to changes in brightness of images can be set to either "Normal" or "High Speed" depending on your preference. Setting is not possible when "Color Mode" is set to "x.v. Color."

* An operation sound of Auto Iris function may be emitted while projecting some images. This is not a failure of the projector.

- 1 Press **Menu**, and then select "Image" - "Auto Iris".

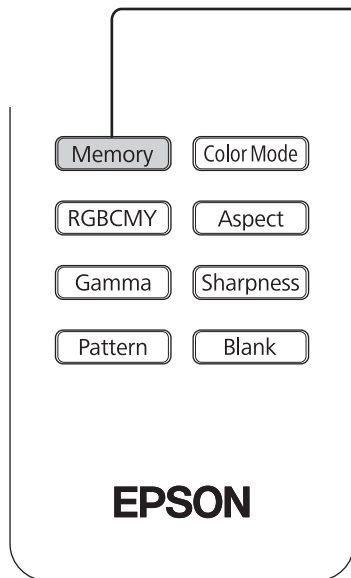


- 2 Select "Normal" or "High Speed" to confirm the selection.

- 3 Press **Menu** to exit the menu.

After using a subset of "Signal" and "Image" in the configuration menu to adjust the projected images, the adjusted values can then be saved (Save Memory).

In addition, the saved data can be retrieved easily, so that you can enjoy viewing images with the adjusted settings at any time (Load Memory).



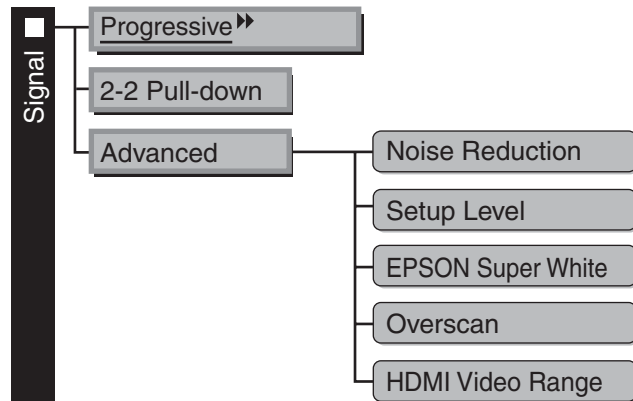
Saving, Loading and Erasing memory



Up to ten adjustments can be saved to memory. The adjustments that can be saved to memory are as follows.

- All "Image" items

- The following "Signal" items



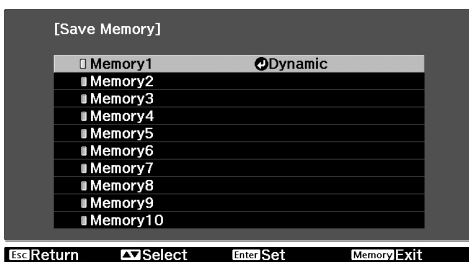
 Not displayed when image signals are being input from a computer.

■ Save Memory

1 Adjust each of the settings to the values to be saved.

2 Press **Memory**, and select "Save Memory".

The Save Memory screen is displayed.



3 Select the memory name to register the adjustments to from Memory1 to 10, and press **Enter** or **Enter**.

When **■** preceding the memory name is green, this indicates that adjustments are already saved to memory.

Select an already saved memory name, and press **Enter** or **Enter**.

A confirmation message will be displayed. If you select "Yes", the previous memory content is erased, and the current adjustment values are saved.

■ Load Memory

Load saved memories.

1 Press **Memory**, and select "Load Memory".
The Load Memory screen will be displayed.

2 Select the target memory name.



TIP

- The color mode selected when the memory was registered is displayed on the right side.
- Some settings retrieved from memory may not be applied to the images depending on the input signal.


■ Erase Memory

This feature can be used to erase and clean up unwanted memories.

1 Press **Memory**, and select "Erase Memory".
The Erase Memory screen will be displayed.

2 Select the memory name to erase.
A confirmation message will be displayed. If you select "Yes", the memory will be erased.

To erase all saved memories, select "Reset" - "Reset Memory" in the Configuration menu.

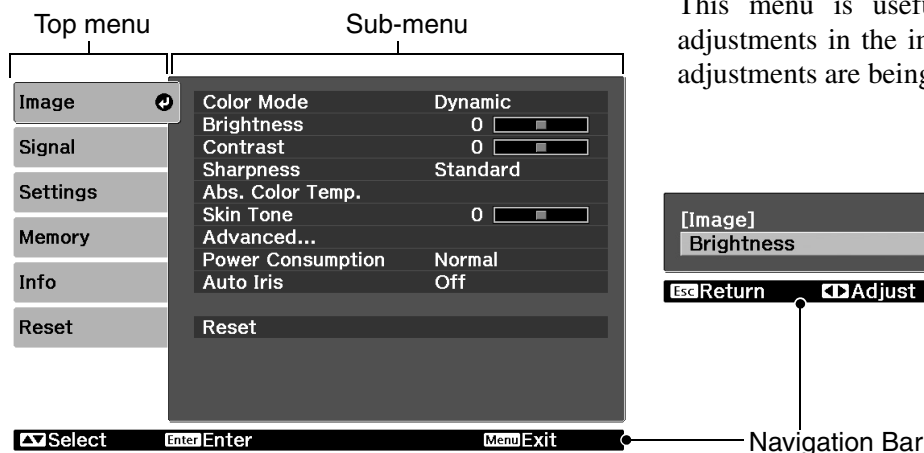
 p.36

The configuration menus can be used to make a variety of adjustments and settings involving image quality and input signals.

The following two types of menu are available.

■ Full menu

All items in the configuration menu can be checked while the settings are being made.



■ Line menu

Some of the items in the "Image" menu in the Configuration menu can be adjusted.

This menu is useful for viewing the effects of adjustments in the images being projected while the adjustments are being made.



For details on the operation method, refer to "Using the configuration menus" in the next section.



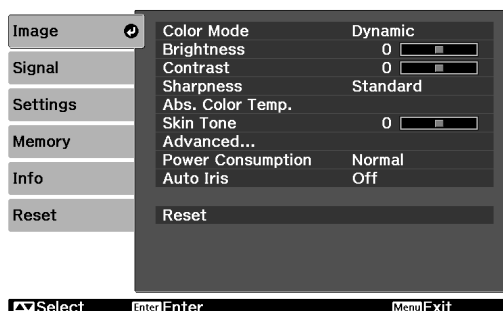
The Configuration menu can be used to change the color pattern and display position of the menus.

☞ "Settings" - "Display" - "Menu Position", "Menu Color"

Using the configuration menus

1 Displaying a menu




Full menu: Press .



Line menu: Press  or .



2 Selecting a menu item

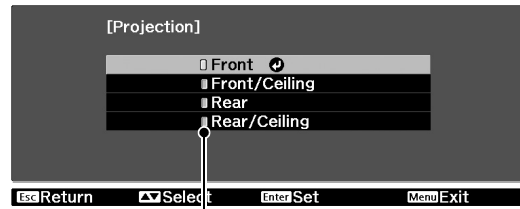
Use  or  to select a menu item, then press .

3 Changing settings

Example:



Use or to adjust values.



(green): Current setting value

Use or to select an item, then press .

If you press when an item with next to it is selected, the selection screen for that item will be displayed.

To return to a previous display, press .



TIP


- For items such as "Brightness" which can be adjusted using an adjustment bar, the adjustment values can be reset to the default if you press while the adjustment bar is being displayed.
- If on the remote control is pressed while a menu is being displayed, the menu screen disappears. This is useful for checking your adjustment result on the images. If you press once more, the menu is displayed again.

4 When setting is complete













Press .

List of configuration menus



When no image signals are being input, the "Image" menu and the "Signal" menu cannot be adjusted. Also, the items displayed in the "Image" menu, the "Signal" menu and the "Info" menu will vary depending on the type of image signals that are being projected.

 Not displayed when image signals are being input from a computer. * This is displayed in the line menu.













Image

Color Mode  p.30	Dynamic, Living Room, Natural, Theatre, Cinema, x.v.Color (*x.v.Color" is displayed when a signal is being input through the HDMI1/HDMI2 input terminals.)	
Brightness  p.30		*
Contrast  p.30		*
Color Saturation  p.30		*
Tint  p.30		*
Sharpness  p.30		*
Abs. Color Temp.  p.30		*
Skin Tone  p.30		*
Advanced  p.30		
Power Consumption  p.31	Normal, ECO	
Auto Iris  p.31	Off, Normal, High Speed	
Reset  p.31	Yes, No	

Standard	
Advanced	Thin Line Enhancement, Thick Line Enhancement, Horiz. Line Enhancement, Vert. Line Enhancement
Gamma	2.0, 2.1, 2.2, 2.3, 2.4 Customized Adjust it from the image Adjust it from the graph Reset
RGB	Offset R, G, B Gain R, G, B
RGBCMY	R (Hue/Saturation/Brightness), G (Hue/Saturation/Brightness), B (Hue/Saturation/Brightness), C (Hue/Saturation/Brightness), M (Hue/Saturation/Brightness), Y (Hue/Saturation/Brightness)

 Not displayed when image signals are being input from a computer.  Only displayed for Computer image input (does not appear when signals from the [HDMI1]/[HDMI2] input port are being input)

Signal

Aspect  p.31	Auto, Normal, Full, Zoom, Wide	
Zoom Size  p.31		
Zoom Caption Pos.  p.31		
Tracking  p.31		
Sync.  p.31		
Position  p.32		
Progressive  p.32	Off, Video, Film/Auto	
Motion Detection  p.32		
2-2 Pull-down  p.32	On, Off	
Auto Setup  p.32	On, Off	
Advanced  p.32		
Reset  p.33	Yes, No	

Noise Reduction	Off, 1, 2, 3
Setup Level	0%, 7.5%
EPSON Super White	On, Off
Overscan	Auto, Off, 2%, 4%, 6%, 8%
HDMI Video Range	Auto, Normal, Expanded



Settings	Direct Power On	p.33	On, Off	
	Sleep Mode	p.33	Off, 5min., 10min., 30min.	
	Child Lock	p.33	On, Off	
	Control Panel Lock	p.34	On, Off	
	Trigger Out	p.34	On, Off	
	High Altitude Mode	p.34	On, Off	
	Projection	p.34	Front, Front/Ceiling, Rear, Rear/Ceiling	
	Illumination	p.34	On, Off	
	Display	p.34	Menu Position	Top-left, Top-center, Top-right, Center-left, Center, Center-right, Bottom-left, Bottom-center, Bottom-right
			Menu Color	Color 1, Color 2
			Messages	On, Off
			Display Background	Black, Blue, Logo
			Startup Screen	On, Off
			Standby Confirmation	On, Off
Input Signal	p.35	Video Signal	Auto, NTSC, NTSC4.43, PAL, M-PAL, N-PAL, PAL60, SECAM	
		Component	Auto, YCbCr, YPbPr	
Language	p.35	日本語, English, Français, Deutsch, Italiano, Español, Português, 中文(简体), 中文(繁體), 한국어, Nederlands, Dansk, Polski, Magyar, Český, Norsk, Svenska, Suomi, Русский, Ελληνικά, Türkçe		
Reset	p.35	Yes, No		

 Only displayed for composite video/S-Video input
 Only displayed for component video/Computer image input
 Only displayed for Computer image input

Info	Lamp Hours	<ul style="list-style-type: none"> The message text will be displayed in yellow when it is time to replace the lamp. Time from 0H to 10H will be displayed as 0H. From 10H onwards, the display will be in units of 1H.
	Source	
	Input Signal	
	Resolution	
	Scan Mode	
	Refresh Rate	
	Sync Info	
	Video Signal	The "Info" menu is only used to display the projector status.
	Deep Color	Display the color depth of HDMI transmission.
	Status	This is information about errors that have occurred on the projector. This value is sometimes referred to when inquiries are made.
Serial Number		

Memory	Load Memory	p.36	Memory1 to Memory10
	Save Memory	p.36	Memory1 to Memory10
	Erase Memory	p.36	Memory1 to Memory10

Reset	Reset All	p.36
	Reset Memory	p.36
	Reset Lamp Hours	p.36

"Image" menu

Not displayed when image signals are being input from a computer.

Color Mode ^{*1}

Five different settings can be selected for the Color Mode, to match the images being projected or the projection environment.  p.18

Brightness ^{*2}

(Adjustment is not possible when "Color Mode" is set to "x.v. Color".)

Adjust this when the output level of the connected equipment is weak and you feel that images are dark.

Contrast ^{*2}

(Adjustment is not possible when "Color Mode" is set to "x.v. Color".)

Adjusts the difference between bright and dark areas.

When the contrast is increased, images with greater modulation are obtained.

Color Saturation ^{*2}

(Adjustment is not possible when "Color Mode" is set to "x.v. Color".)

This adjusts the color intensity for the images.

Tint ^{*2}

(Adjustment is not possible when "Color Mode" is set to "x.v. Color".)

This adjusts the image tint.


Sharpness ^{*2}

This adjusts the image sharpness.

Standard

The adjustment results are applied to the entire image.

Advanced

This can be used to adjust a specific region.  p.23

Abs. Color Temp. ^{*2}

(Adjustment is not possible when "Color Mode" is set to "x.v. Color".)

This adjusts the overall tints of the images. If you select a higher value, images appear bluish, and if you select a lower value, images appear reddish. The absolute color temperature can be set to one of 12 settings within the range of 5000K to 10000K.

Skin Tone ^{*2}


(Adjustment is not possible when "Color Mode" is set to "x.v. Color".)

This adjusts the skin tones of people who appear in the images. If you select a higher value, green tone is increased, and if you select a lower value, red tone is increased.


Advanced

(When "Color Mode" is set to "x.v.Color", these adjustments are not possible except for "Super-resolution".)

Gamma ^{*1}

This adjusts gamma. You can select a value, or make adjustments while viewing an image or a graph.  p.20

RGB ^{*1}

This lets you adjust the offset and gain for each of the R/G/B color components.  p.22

*1 The setting values are stored separately for each image source and signal type.

*2 The setting values are stored separately for each image source and color mode setting.

Only displayed for Computer image input
(does not appear when signals from the [HDMI1] / [HDMI2] input port are being input)

RGBCMY *1

This lets you adjust the hue, saturation, and brightness for each of the R/G/B/C/M/Y color components.
☞ p.20

Power Consumption *2

This lets you set the lamp brightness to one of two settings.
Set to "ECO" if the projection images are too bright when projecting in a dark room or projecting onto a small screen. When used at the "ECO" setting, the power consumption and fan noise during projection is reduced.

Auto Iris *3

(Setting is not possible when "Color Mode" is set to "x.v. Color.")
Tracking speed of the light intensity control in response to changes in brightness of images can be set to either "Normal" or "High Speed" depending on your preference. If set to "Off", no light intensity control is performed. ☞ p.23

Reset

This returns all settings in the "Image" menu to their default settings.

"Signal" menu

Aspect ▶▶ *1

Selects the aspect mode. ☞ p.18

Zoom Size *1

This can be set only when "Aspect" is set to "Zoom".
This function enables the image to be reduced in size in the vertical direction so that the top and bottom of images that are hidden from view can be viewed when "Zoom" is set. The larger the adjustment value (reduction ratio) set here, the more the image is compressed and displayed squashed in the vertical direction.

Zoom Caption Pos. *1

This can be set only when "Aspect" is set to "Zoom".
This function moves the display position of the image in one direction, up or down, to display captions when projecting images with captions.

Tracking ▶▶ *1

(This can be adjusted only when analog RGB image signals are being input.)
This adjusts the images if vertical stripes appear in the images.

Sync. ▶▶ *1

(This can be adjusted only when analog RGB image signals are being input.)
This adjusts the images if flickering, fuzziness or interference appear in the images.

- Flickering and fuzziness may also occur when the brightness, contrast▶▶ and sharpness settings are adjusted.
- Clearer adjustments can be obtained if you adjust the "Tracking" first and then adjust the "Sync".


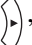

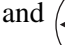
*1 The setting values are stored separately for each image source and signal type.

*2 The setting values are stored separately for each image source and color mode setting.

*3 The setting values are stored separately for each color mode setting.

- Not displayed when image signals are being input from a computer.
- Only displayed for Computer image input (does not appear when signals from the [HDMI1] / [HDMI2] input port are being input)

Position *

(Setting is not possible when signals are being input from the [HDMI1] / [HDMI2] input port.)
 When part of the image is clipped, move the image display position vertically and horizontally so that the entire image is projected. Press , ,  and  to adjust the position.

Progressive▶▶*

(This can be set only when signals are being input from the [Video] / [S-Video] input port, or 480i, 576i, 1080i signals are being input from the [HDMI1] / [HDMI2] / [Component] input port.)

Interlace▶▶ (i) signals are converted to progressive (p) signals using a method appropriate for the image.

- Off :This is ideal for using when viewing images with a large amount of movement.
- Video :This is ideal for general video images.
- Film/Auto :Optimum conversion is performed for movie, computer graphics, and animation input signals.

Motion Detection *

(This can be set only when signals are being input from the [Video] / [S-Video] input port, or 480i, 576i, 1080i signals are being input from the [HDMI1] / [HDMI2] / [Component] input port.)

Select whether the progressive conversion operation mode is for fast-moving images or for slow-moving images. The smaller the value, the more suitable the mode is for viewing still images. The larger the value, the more suitable the mode is for viewing video images.

2-2 Pull-down

(This setting can be made only when a 1080p/24Hz signal is being input to the [HDMI1] / [HDMI2] / [Component] input terminals.)

For a 1080p/24Hz input signal, you can select between 2-2 pull-down projection or 2-3 pull-down projection. Selecting "On" sets the 2-2 pull-down.

Auto Setup

This sets automatic adjustment to on or off in order to set whether the projector automatically adjusts images to their optimum condition when the input signal is changed. The three automatically adjusted items are "Tracking", "Position" and "Sync."

Advanced

Noise Reduction *

This reduces flickering of images.
 Three modes are available. Select the mode to suit your liking.
 Set "Off" when the image source, such as DVD, contains little electrical interference.

Setup Level *

(This can be set when **NTSC▶▶** signals or **component video▶▶** signals are being input from the [Video]/[S-Video] input port.)

If using products designed for destinations such as South Korea that have different black level (setup level) settings, use this function to obtain correct images. Check the specifications of the connected equipment when changing this setting.

EPSON Super White *

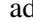
(This can only be adjusted when the color mode is set to "Natural" or "Cinema" and signals are being input via the [HDMI1]/[HDMI2] input ports.)
 If bright white areas of images appear uneven and overexposed, set to "On".
 When set to "On", the "HDMI Video Range" setting will be ignored.

Not displayed when image signals are being input from a computer.

Overscan*

(Setting is possible only when signals are being input from the [HDMI1]/[HDMI2]/[Component] input port.)

This changes the display area (the part of projected images).

- Off, 2%, 4%, 6%, 8%: If set to "Off", the top and the bottom of the image are sometimes affected by electrical interference depending on the image signal. In such cases, try to adjust the display position ("Position").  p.32
- Auto: Displayed when the signals from [HDMI1] / [HDMI2] input port are being input. This is automatically set to Off or 8%, depending on the input signal. (Not displayed when the equipment's DVI port is connected to the projector's [HDMI1] / [HDMI2] input port.)

HDMI Video Range*


(Setting is possible only when "EPSON Super White" is "Off". Setting is not possible, however, when "Color Mode" is set to "x.v. Color.")

When the [HDMI1] / [HDMI2] input port of the projector is connected to a DVD player, for example, setting this to Auto allows the projector to automatically determine and set the video range of the input signal.

If this is set to Auto and a blackout/whiteout condition occurs, set the video range of the projector to match that of the DVD player. The setting on the DVD player can be either Normal or Expand.

Note that if the equipment's DVI port is connected to the projector's [HDMI1] / [HDMI2] input port, Auto is not displayed.

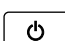

Reset

All the adjustment values on the "Signal" menu, except "Aspect", are returned to their default values.

- * The setting values are stored separately for each image source and signal type.

"Settings" menu


Direct Power On

When the main power switch is turned on, you can set for projection to start (On) / not start (Off) without pressing  or .


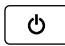

When set to "On" with the main power switch left on, be aware that sudden surges of electricity that may occur when the power comes back on after a power outage may cause the projector to turn on.


Sleep Mode

The projector is equipped with a power-saving function that causes the power to turn off automatically and the projector to switch to standby if no signal is input to the projector for a continuous length of time. The length of time before the power-saving function operates can be selected from four available settings. If "Off" is selected, the power-saving function will not operate.

If you press  while the projector is in standby mode, projection will start again.



Child Lock

This locks the power on function of the  button on the projector's control panel, so that a child cannot accidentally turn the projector's power on and look into the projector's lens. When the lock is applied, the power will only turn on if  is pressed down for about 3 seconds.  can be used to turn off the power, and the remote control will continue to operate as normal.

If you change the setting, the new setting will take effect after the power has been turned off and the cool-down period is complete.

Even if "Child Lock" is set to "On", be aware that projection starts merely by turning the main power switch on when "Direct Power On" is set to "On".

Control Panel Lock

If this is set to "On", you can't operate the projector's control panel buttons and a  icon appears on the screen when a button is pressed. To cancel, press and hold  on the projector's control panel for about seven seconds or more.

If you change the setting, the new setting will take effect after exiting the configuration menu.

Trigger Out

This sets the trigger out function which communicates information such as the power on status of the projector to external equipment.

If you change the setting, the new setting will take effect after the power has been turned off and the cool-down^{▶▶} period is complete.

High Altitude Mode

A fan is set at a certain speed of rotation so as to bring down internal temperature.

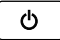
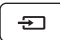
When using above an altitude of about 1500m, set to "On".

Projection

This should be set in accordance with the method used to set up the projector.





- Front : Select when the projector is set up in front of the screen.
- Front/Ceiling : Select when the projector is set up in front of the screen and suspended from a ceiling.
- Rear : Select when the projector is set up behind the screen.
- Rear/Ceiling : Select when the projector is set up behind the screen and suspended from a ceiling.

Illumination

If the light from  or  becomes bothersome while watching a movie or the like in a dark room, turn this setting to "Off".

Display

Menu Position

Press , ,  and  to specify the position for the menus to be displayed.

Menu Color

Selects the color for the main configuration menu.

- Color 1:Black
- Color 2:Blue

Messages

This sets whether the following message displays appear (On) or don't appear (Off).

- Image signal, color mode, aspect^{▶▶} and item name when memory settings are retrieved.
- Messages such as when no image signals are being input, when an incompatible signal is input, and when the internal temperature rises.

Display Background

Displays a menu for selecting the screen status for when using the blank function or when no image signal is input.

Startup Screen

This sets whether the start-up screen (the image that is projected when projection starts) is displayed (On) or not displayed (Off).

If you change the setting, the new setting will take effect after the power has been turned off and the cool-down^{▶▶} period is complete.

Standby Confirmation

Sets whether the standby confirmation message is displayed (On) or not displayed (Off).



Input Signal

Video Signal

Sets the signal format in accordance with the video equipment that is connected to the [Video] or [S-Video] input port. If set to "Auto", the video signal format is set automatically.

If there is a lot of interference in the image, or if a problem such as no image being projected occurs even though "Auto" has been selected, select the correct signal format manually.

Component

Change this setting depending on the type of signal that is being output from the video equipment that is connected to the [Component] input port.

If "Auto" is selected, appropriate signal is automatically set. If colors appear unnatural even though "Auto" is selected, select appropriate signal name in the menu.

Language


This sets the display language for messages and menus.

Reset


Adjustment values for the "Settings" menu functions are returned to their default settings, except for the "High Altitude Mode", "Projection", "Component", and "Language".

"Memory" menu

Load Memory

This retrieves settings previously saved using "Save Memory".  p.24
This cannot be selected when nothing is saved at "Save Memory".

Save Memory

This can be used to save "Image" menu settings.  p.24

Erase Memory

This is used to erase unwanted saved memory.  p.25

"Reset" menu

Reset All

This resets all configuration menu settings to their default settings. "Component" and "Language" in the "Settings" menu, and the settings of "Memory" menu are not returned to their default even if "Reset All" is executed.

Reset Memory

This resets (erases) all settings that have been made using the "Save Memory".

Reset Lamp Hours

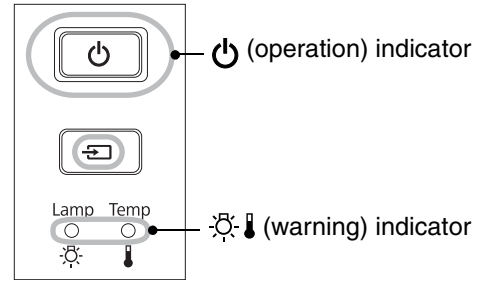
Clear the cumulative lamp operating time and reset to "0H". Perform this procedure when you replace the lamp.

Reading the indicators

The projector indicates its status using the indicators. (the icon and the around the button) and (the icon) light and flash, and lights and flashes in red according to the current status.

The following tables show what the indicators mean and how to remedy the problems that they indicate.

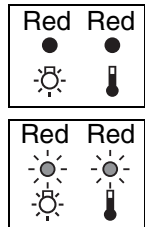
* If all indicators are switched off, check that the power cable is connected correctly and that the main power switch is on.



When the (warning) indicator is lit or flashing **warning/problem**

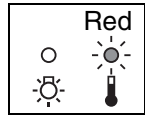
● : Lit : Flashing ○ : Off

Internal problem

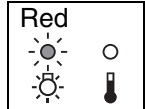


Attention Disconnect the power cable from the electrical outlet. Then contact your local dealer or the nearest address provided in the *Support and Service Guide*. ↗ *Epson Projector Contact List*

Fan problem / Sensor problem



Lamp problem / Lamp on error



Check if the lamp is broken. ↗ p.48
Clean the air filter. ↗ p.45

If the lamp is not broken

Replace the lamp and then turn the power on.

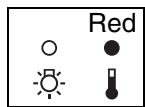
If the problem is still not solved after the lamp is replaced, stop using the projector and disconnect the power cable from the electrical outlet. Then contact your local dealer or the nearest address provided in the *Support and Service Guide*. ↗ *Epson Projector Contact List*

If the lamp is broken

Contact your local dealer or the nearest address provided in the *Epson Projector Contact List*.

When using above an altitude of about 1500 m, make sure you set the "High Altitude Mode" to "On". ↗ p.34

High internal temperature (overheating)

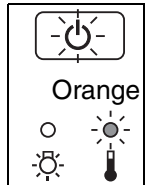


The lamp will switch off automatically and projection will stop. Wait for approximately 5 minutes. When the cooling fan stops, turn off the main power switch at the rear of the projector.

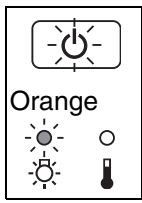
- If the projector is installed against a wall, leave a space of 20 cm or more between it and the wall.
- Clean the air filters if they are blocked. ↗ p.45

If the problem is not solved when the power is turned back on, stop using the projector, turn off the main power switch, and disconnect the power cable from the electrical outlet. Then contact your local dealer or the nearest address provided in the *Support and Service Guide*. ↗ *Epson Projector Contact List*


High-speed cooling in progress



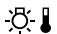
You can continue using the projector, but if the temperature rises again, it will switch off automatically.



Lamp replacement warning

It is time to replace the lamp. Replace the lamp with a new one as soon as possible.  p.50
If you continue to use the projector without replacing the lamp, the lamp may blowout.


Indicator statuses in normal operation

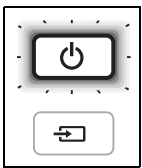
During normal operation, the  indicator is off.

 /  : Lit  : Flashing



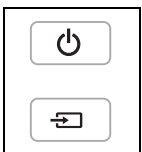
Standby condition

If you press , projection will start after a brief interval.



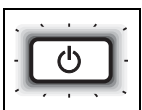
Warm-up in progress

Warm-up time is approximately 30 seconds.
Power off operations are ignored while warm-up is in progress.



Projection in progress

Normal operation is in progress.



Cool-down[»] in progress (Approx. 16 seconds)

Remote control and control panel are disabled while cool-down is in progress. Once cool-down is complete, the projector turns to stand-by mode. If the main power switch at the rear of the projector is turned off while cool-down is still in progress, wait until the lamp has cooled down sufficiently (approximately 10 minutes is required), and then turn the main power switch back on.

When the indicators provide no help

If any of the following problems occur and the indicators do not offer a solution, refer to the pages given for each problem.


Problems relating to images

- **No images appear**  p.39

Projection does not start, the projection area is completely black, the projection area is completely blue, etc.

- **Moving images are not displayed**  p.40

Moving images played on computer are not displayed.

- **The message "Not Supported" is displayed**  p.40

- **The message "No Signal" is displayed**  p.41

- **Images are fuzzy or out of focus**  p.41

- **Interference or distortion appear in images**  p.41

Problems such as interference, distortion or black & white checked patterns appear.

- **Image is truncated (large) or small**  p.42

Only part of the image is displayed.

- **Image colors are not right**  p.42

The whole image appears purplish or greenish, images are black & white, colors appear dull, etc.

(Computer monitors and LCD screens have different color reproduction performance, so that the colors projected by the projector and the colors appearing on the monitor may not necessarily match, but this is not a sign of a problem.)

- **Images appear dark**  p.43

- **Projection stops automatically**  p.43

Problems when projection starts






- **Power does not turn on**  p.43

Problems with the remote control

- **The remote control does not work**  p.44

Problems relating to images

■ No images appear

Have you pressed the [Power] button?	Press  on the remote control or  on the projector's control panel.
Is the main power switch turned off?	Turn on the main power switch at the rear of the projector.
Are all of the indicators switched off?	Disconnect the power cable and then reconnect it.  p.14 Check the circuit breaker to see if power is being supplied.
Is blank mode active?	Press  on the remote control to cancel the blank function.
Is a video signal being input?	Check that the power for the connected equipment is turned on. If the "Messages" menu command has been set to "On", messages relating to the image signals will be displayed.  "Settings" - "Display" - "Messages" p.34

<p>Are the image signal format settings correct?</p>	<p>If a <u>composite video</u> or <u>S-Video</u> signal is being input If projection does not occur when the "Video Signal" menu command is set to "Auto", select the signal format that matches the signal source. ☞ "Settings" - "Input Signal" - "Video Signal" p.35</p>
	<p>If the signal source is connected to the [Component] input port If projection does not occur when the "Component" in the "Input Signal" menu command is set to "Auto", set the signal format that matches the signal that is being projected from the connected equipment. ☞ "Settings" - "Input Signal" - "Component" p.35</p>
<p>Have the configuration menu settings been made correctly?</p>	<p>Try resetting all of the current settings. ☞ p.36</p>
<p>Were the projector and computer connected while their power was already turned on?</p> <p>When a computer is connected</p>	<p>If the connection is made while the power is already turned on, the function [Fn] key that switches the computer's video signal to external output may not work. Turn the power for the computer that is connected to the projector off and then back on again.</p>

■ **Moving images are not displayed**

<p>Is the computer image signal set to output simultaneously both externally and to the LCD monitor?</p> <p>Only when projecting images from a laptop computer or computer with a built-in LCD screen</p>	<p>When attempting to display images simultaneously on an external monitor and an LCD monitor, moving images may not be displayed due to specifications of the computer. Set the image signal to output only externally. ☞ Computer documentation, under a title such as "External output" or "Connecting an external monitor"</p>
---	--

■ **The message "Not Supported" is displayed**

<p>Are the image signal format settings correct?</p>	<p>If a <u>composite video</u> or <u>S-Video</u> is being input If projection does not occur when the "Video Signal" menu command is set to "Auto", select the signal format that matches the signal source. ☞ "Settings" - "Input Signal" - "Video Signal" p.35</p>
	<p>If the signal source is connected to the [Component] input port If projection does not occur when the "Component" in the "Input Signal" menu command is set to "Auto", set the signal format that matches the signal that is being projected from the connected equipment. ☞ "Settings" - "Input Signal" - "Component" p.35</p>
<p>Does the mode match the frequency and resolution of the image signals?</p> <p>Only when projecting computer images</p>	<p>Use the "Resolution" menu command to check the signals being input, and check the "List of Supported Monitor Displays" to make sure that the signals are compatible. ☞ "Info" - "Resolution" p.29 ☞ "List of Supported Monitor Displays" p.51</p>



■ The message "No Signal" is displayed

Are the cables connected correctly?	Check that all of the cables required for projection are securely connected. p.12
Has the correct video input port been selected?	Press , , , , or on the remote control or on the projector's control panel to change the image source. p.15
Is the power for the connected equipment turned on?	Turn the power on for the devices.
Are the image signals being output to the projector? <div style="background-color: black; color: white; padding: 5px; margin-top: 10px;"> Only when projecting images from a laptop computer or computer with a built-in LCD screen </div>	If the image signals are only being output to the computer's LCD monitor, you need to change the output. For some computer models, when the image signals are output externally, they no longer appear on the LCD monitor. Computer documentation, under a title such as "External output" or "Connecting an external monitor" <hr/> If the connection is made while the power is already turned on, the function [Fn] key that switches the computer's video signal to external output may not work. Turn the power for the projector and the computer off and then back on again. p.14

■ Images are fuzzy or out of focus

Has the focus been adjusted correctly?	Adjust the focus. p.16
Is the lens cover still attached?	Remove the lens cover.
Is the projector at the correct distance?	The recommended distance from the projector to the screen is within 87 to 1276 cm for a screen size of 16:9, and 107 to 1562 cm for a screen size of 4:3. Set up the projector so that the projection distance is within this range. p.10
Has condensation formed on the lens?	If the projector is suddenly taken from a cold environment to a warm environment or if sudden ambient temperature changes occur, condensation may form on the surface of the lens, and this may cause the images to appear fuzzy. Set the projector up in the room approximately one hour before it is to be used. If condensation forms on the lens, turn off the projector, disconnect the power cable and wait for the condensation to disappear.

■ Interference or distortion appear in images

Are the image signal format settings correct?	If a <u>composite video</u> ^{▶▶} or <u>S-Video</u> ^{▶▶} is being input If projection does not occur when the "Video Signal" menu command is set to "Auto", select the signal format that matches the signal source. "Settings" - "Input Signal" - "Video Signal" p.35
	If the signal source is connected to the [Component] input port If projection does not occur when the "Component" in the "Input Signal" menu command is set to "Auto", set the signal format that matches the signal that is being projected from the connected equipment. "Settings" - "Input Signal" - "Component" p.35
Are the cables connected correctly?	Check that all of the cables required for projection are securely connected. p.12

<p>Is an extension cable being used?</p>	<p>If an extension cable is used, interference may increase. Try connecting a signal amplifier.</p>
<p>Have the "Sync.▶" and "Tracking▶" settings been adjusted correctly?</p> <p>Only when projecting computer images</p>	<p>The projector has an automatic adjustment function that causes the optimum images to be projected. However, for some types of signal, the correct adjustments may not be obtained even after automatic adjustment is carried out. In such cases, use the "Tracking" and "Sync." menu commands to make the adjustments. ☞ "Signal" - "Tracking", "Sync." p.31</p>
<p>Has the correct resolution been selected?</p> <p>Only when projecting computer images</p>	<p>Set the computer so that the signals that are output are compatible with this projector. ☞ "List of Supported Monitor Displays" p.51 Computer documentation</p>

■ **Image is truncated (large) or small**

<p>Has the correct aspect▶ been selected?</p>	<p>Press <input type="text" value="Aspect"/> to select the aspect that corresponds to the input signal. ☞ p.18 If images with subtitles are being projected using "Zoom", use the "Zoom Caption Pos." menu command to adjust the images. ☞ p.31</p>
<p>Has the "Position" setting been adjusted correctly?</p>	<p>Use the "Position" the menu command to make the adjustment. ☞ "Signal" - "Position" p.32</p>
<p>Has the computer been set for dual display?</p> <p>Only when projecting computer images</p>	<p>If the dual display setting has been activated by the connected computer, only half of the images on the computer screen is displayed by the projector. To display the whole of the image on the computer screen, turn off the dual display setting. ☞ Computer video driver documentation</p>
<p>Has the correct resolution been selected?</p> <p>Only when projecting computer images</p>	<p>Set the computer so that the signals that are output are compatible with this projector. ☞ "List of Supported Monitor Displays" p.51 Computer documentation</p>

■ **Image colors are not right**


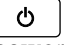
<p>Are the image signal format settings correct?</p>	<p>If a <u>composite video▶</u> or <u>S-Video▶</u> is being input If projection does not occur when the "Video Signal" menu command is set to "Auto", select the signal format that matches the signal source. ☞ "Settings" - "Input Signal" - "Video Signal" p.35</p>
	<p>If the signal source is connected to the [Component] input port If projection does not occur when the "Component" in the "Input Signal" menu command is set to "Auto", set the signal format that matches the signal that is being projected from the connected equipment. ☞ "Settings" - "Input Signal" - "Component" p.35</p>
<p>Are the cables connected correctly?</p>	<p>Check that all of the cables required for projection are securely connected. ☞ p.12</p>
<p>Has the image contrast▶ been adjusted correctly?</p>	<p>Use the "Contrast" menu command to adjust the color. ☞ "Image" - "Contrast" p.30</p>
<p>Has color been adjusted appropriately?</p>	<p>Use the "Advanced" menu command to adjust the color. ☞ "Image" - "Advanced" p.30</p>

<p>Have the color intensity and tint been adjusted correctly?</p> <p>Only when projecting images from a video source</p>	<p>Use the "Color Saturation" and "Tint" menu commands to adjust the color and tint.</p> <p>☞ "Image" - "Color Saturation", "Tint" p.30</p>
--	---

■ Images appear dark


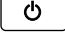
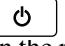


<p>Has the image brightness been adjusted correctly?</p>	<p>Use the "Brightness" menu commands to make the adjustments.</p> <p>☞ "Image" - "Brightness" p.30</p>
<p>Has the image contrast been adjusted correctly?</p>	<p>Use the "Contrast" menu command to adjust the color.</p> <p>☞ "Image" - "Contrast" p.30</p>
<p>Is the lamp due for replacement?</p>	<p>When the lamp is nearly due for replacement, the images will become darker and the color quality will become poorer. When this happens, the lamp should be replaced with a new one. ☞ p.48</p>

■ Projection stops automatically

<p>Is sleep mode active?</p>	<p>When "Sleep Mode" has been set to On, the lamp turns off automatically if no signal is input for about 30 minutes, and the projector switches to standby mode. Press the  button on the remote control or the  button on the projector's control panel to turn the projector's power back on. To cancel the sleep mode setting, change "Sleep Mode" menu command to "Off".</p> <p>☞ "Settings" - "Sleep Mode" p.33</p>
-------------------------------------	--




Problems when projection starts

■ Power does not turn on

<p>Have you pressed the [Power] button?</p>	<p>Press  on the remote control or  on the projector's control panel.</p>
<p>Is "Child Lock" set to "On"?</p>	<p>If the "Child Lock" menu command is set to "On", press  on the projector's control panel for about 3 seconds or press  on the remote control to turn the power on.</p> <p>☞ "Settings" - "Child Lock" p.33</p>
<p>Is "Control Panel Lock" set to "On"?</p>	<p>If the "Control Panel Lock" menu command is set to "On", all buttons on the projector's control panel are disabled. Press  on the remote control.</p> <p>☞ "Settings" - "Control Panel Lock" p.34</p>
<p>Are all of the indicators switched off?</p>	<p>Disconnect the power cable and then reconnect it. ☞ p.14 Check the circuit breaker to see if power is being supplied.</p>
<p>Do the indicators turn off and on when the power cable is touched?</p>	<p>Turn the power off, disconnect the power cable and then reconnect it. If this does not solve the problem, there may be a problem with the power cable. Then contact your local dealer or the nearest address provided in the <i>Support and Service Guide</i>. ☞ <i>Epson Projector Contact List</i></p>

Problems with the remote control

■ The remote control does not work

<p>Is the remote control light-emitting area facing towards the remote control light-receiving area when it is operated?</p>	<p>Face the remote control towards the remote control light-receiving area. Operating range  p.13</p>
<p>Is the remote control too far from the projector?</p>	<p>The operating range for the remote control is approximately 10m.  p.13</p>
<p>Is direct sunlight or strong light from fluorescent lamps shining onto the remote control light-receiving area?</p>	<p>Set the projector up in a location where strong light will not shine onto the remote control light-receiving area.</p>
<p>Are the batteries dead, or have the batteries been inserted correctly?</p>	<p>Insert new batteries, while making sure that they face correctly.  p.13</p>

This section describes maintenance tasks such as cleaning the projector and replacing consumable parts.

Cleaning

You should clean the projector if it becomes dirty or if the quality of projected images starts to deteriorate.

Warning Do not use sprays containing a flammable gas to remove dirt or dust which is adhering to parts such as the lens or filter of the projector. Because the lamp inside the projector becomes very hot during use, the gases may ignite and result in a fire.

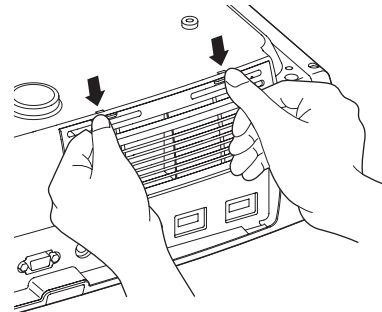
Cleaning the air filter

If the air filter becomes blocked with dust and the message "The projector is overheating. Make sure nothing is blocking the air vent, and clean or replace the air filter" is displayed, clean the air filter.

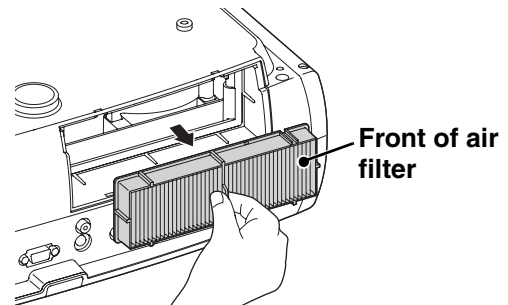
- Attention**
- If the air filter becomes clogged with dust, it can result in overheating which may cause operating problems or reduce the operating life of the optical parts. It is recommended that you clean the air filter about once every three month. If using the projector in a dusty location, the air filter should be cleaned more often.
 - The air filter is not washable. Also do not use detergent or solvents.
 - When using a brush for cleaning, use a soft brush with long bristles and brush the filter gently. If you brush too strong, dust may be pushed inside the air filter and hardly be removed.

1 Remove the air filter cover.

Press the knobs to release the catches, and then pull the cover upward.



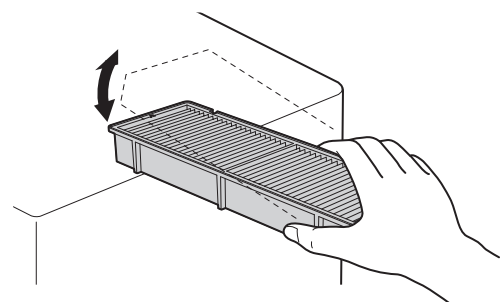
2 Take out the air filter.



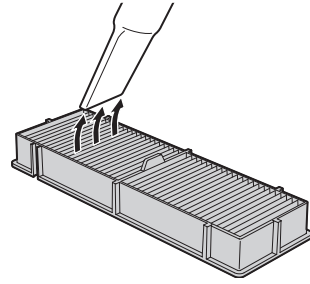
3 Tap the air filter four or five times with the surface facing downwards to shake off the dust.

Hold the filter at the other side and tap it again to shake off the dust.

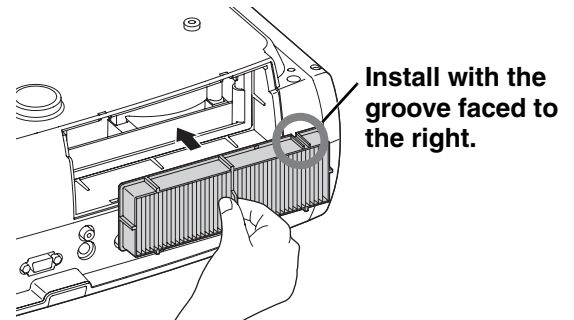
Attention Do not hit the air filter hard, otherwise it may become bent or broken and can no longer be used.



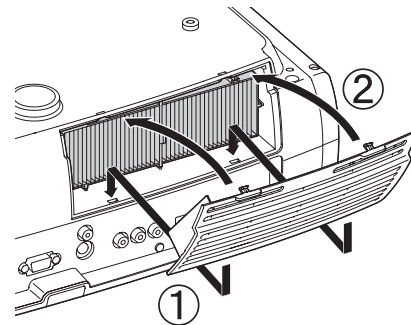
- 4** Use a vacuum cleaner to remove any remaining dust from the surface of the air filter.



- 5** Install the air filter.



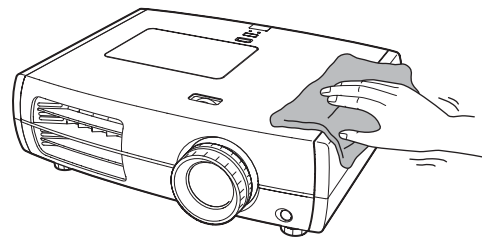
- 6** Install the air filter cover.



Cleaning the projector case

Clean the projector case by wiping it gently with a soft cloth.

If the projector is particularly dirty, moisten the cloth with water containing a small amount of neutral detergent, and then firmly wring the cloth dry before using it to wipe the projector case. Then wipe the case again with a soft, dry cloth.

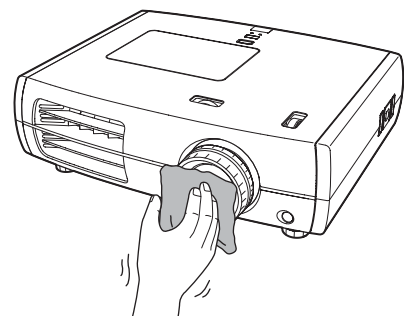


Attention Do not use volatile substances such as wax, alcohol or thinner to clean the projector case. These can cause the case to warp and make the coating finish peel off.

Cleaning the lens

To clean the lens it is preferable to use an air blower purchased for the purpose. But alternatively you can wipe it gently clean with a spectacle-cleaning cloth.


Attention Do not rub the lens with harsh materials or subject the lens to shocks, as it can easily become damaged.



Consumable replacement periods

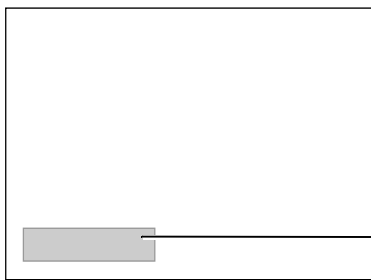
Air filter replacement period

- If the air filter has been broken or the "Replace" message is displayed even though the air filter has been cleaned.

 Replacing the air filter p.48

Lamp replacement period

- The message "Replace the lamp." appears on the screen when projection starts.



A message will be displayed.

- The projected images get darker or start to deteriorate.



TIP

- The replacement warning message is set to appear after a minimum of about 3900 hours of lamp use in order to maintain the initial brightness and quality of the projected images. The time taken for the message to appear will vary depending on usage conditions such as Color Mode settings. If you continue to use the lamp after this period, the possibility of the lamp breaking becomes greater. When the lamp replacement message appears, replace the lamp with a new one as soon as possible, even if it is still working.
- Depending on the characteristics of the lamp and on the way it has been used, the lamp may become darker or stop working before the lamp warning message appears. You should always have a spare lamp ready in case it is needed.
- Contact your local dealer or the nearest address provided in the *Epson Projector Contact List*.

Replacing consumables

Replacing the air filter

⚠ Caution

Do not touch the lamp cover soon after power-off or you may get burned because it is very hot.

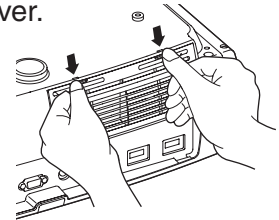


TIP

Dispose of used air filters properly in accordance with your local regulations.
 Frame material: PP
 Filter materials: PP, PET

1 Press or to turn off the power, and then turn the main power switch OFF.

2 Remove the air filter cover.



Press the knobs to release the catches, and then pull the cover upward.

Replacing the lamp

⚠ Warning

If the lamp stops working and needs to be replaced, there is the danger that the lamp may already be broken. If replacing the lamp of a projector which has been installed to the ceiling, you should always assume that the lamp is broken and handle it with extreme care during removal. Furthermore, you should stand to the side of the projector, not underneath it.

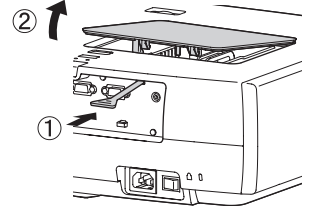
⚠ Caution

Wait until the lamp has cooled down sufficiently before removing the lamp cover. If the lamp is very hot, you may get burned.

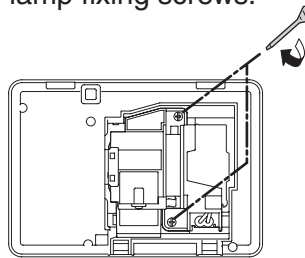
1 Press or to turn off the power, and then turn the main power switch OFF.

* Wait until the lamp cools down (takes approximately 1 hour).

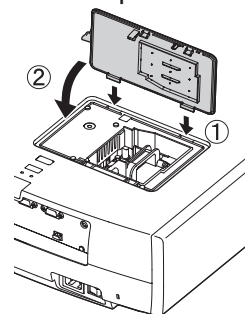
2 Insert the supplied screwdriver of the replacement lamp into the lamp cover opening switch, then remove the lamp cover.



6 Securely tighten the lamp fixing screws.



7 Install the lamp cover.



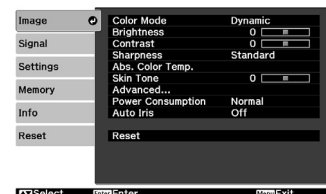
Resetting the lamp operating time

The lamp operating time must always be reset after the lamp has been replaced with a new one.

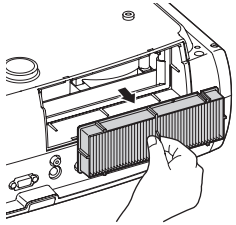
The projector has a built-in counter which keeps track of the lamp operating time. When the cumulative operating time reaches a certain point, it causes the replacement warning message to be displayed.

1 Press to turn on the power.

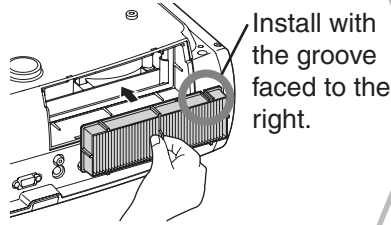
2 Press to display the configuration menu.



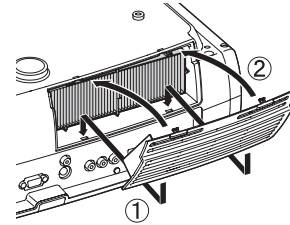
3 Remove the old air filter.



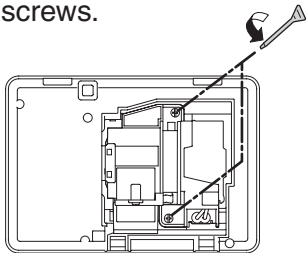
4 Insert the new air filter.



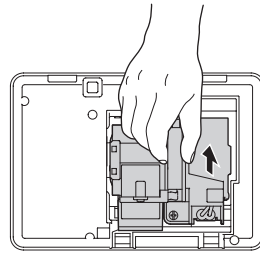
5 Install the air filter cover.



3 Loosen the lamp fixing screws.

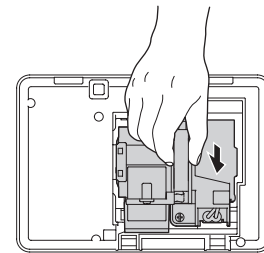


4 Remove the old lamp.



Pull out straight.

5 Insert the new lamp.

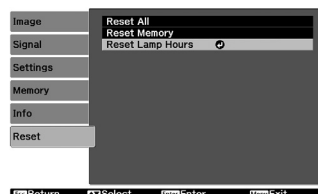


Make sure that it faces the correct way.

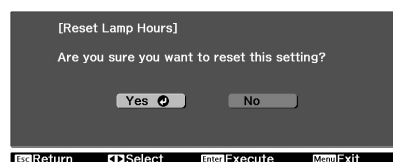
Attention

- Install the lamp and the lamp cover securely. The projector will not turn on if the lamp or the lamp cover is not installed correctly.
- This product includes a lamp component that contains mercury (Hg). Please consult your local regulations regarding disposal or recycling. Do not dispose of it with normal waste.

3 Select "Reset Lamp Hours" from the "Reset" menu.



4 Select "Yes" and then press **Enter**.



The following optional accessories/consumables are available for purchase if required. This list of optional accessories/consumables is current as of: 2010.7. Details of accessories are subject to change without notice.

Varies depending on country of purchase.

■ Optional Accessories

50" Portable Screen	ELPSC06
---------------------	---------

A compact screen which can be carried easily.
(Aspect Ratio▶▶ 4:3)

60" Portable Screen	ELPSC07
80" Portable Screen	ELPSC08
100" Portable Screen	ELPSC10

A portable roll-type screen. (Aspect 4:3)

VGA-HD15 PC Cable (1.8 m)	ELPKC02
VGA-HD15 PC Cable (3 m)	ELPKC09
VGA-HD15 PC Cable (20 m)	ELPKC10

(For mini D-Sub 15-pin/mini D-Sub 15-pin)
Use to connect the projector to a computer.

Ceiling Mount*	ELPMB20 ELPMB22
----------------	--------------------

(with ceiling plate)
Use when installing the projector to a ceiling.

Ceiling Pipe 600 (600 mm/white)*	ELPFP07
Ceiling Pipe 450 (450 mm/white)*	ELPFP13
Ceiling Pipe 700 (700 mm/white)*	ELPFP14

Use when installing the projector to a high ceiling or a ceiling with veneer panels.

Cable Cover (White)	ELPCC01W
---------------------	----------

Use to cover cables of the projector that is suspended from a ceiling to improve the appearance.

* A special method of installation is required in order to suspend the projector from the ceiling. Please contact the place of purchase if you would like to use this installation method.

■ Consumables

Lamp Unit	ELPLP49
-----------	---------

(1 spare lamp, 1 spare screwdriver)
Use as a replacement for spent lamps.

Air Filter Set	ELPAF21
----------------	---------

(1 air filter)
Use as a replacement for old air filters.

Component Video

Signal	Refresh rate (Hz)	Resolution (Dots)
<u>SDTV</u> (480i)	60	720×480
<u>SDTV</u> (576i)	50	720×576
<u>SDTV</u> (480p)	60	720×480
<u>SDTV</u> (576p)	50	720×576
<u>HDTV</u> (720p)	50/60	1280×720
<u>HDTV</u> (1080i)	50/60	1920×1080
<u>HDTV</u> (1080p)	50/60	1920×1080

Composite Video/S-Video

Signal	Refresh rate (Hz)	Resolution (Dots)
<u>TV</u> (<u>NTSC</u>)	60	720×480
<u>TV</u> (<u>SECAM</u>)	50	720×576
<u>TV</u> (<u>PAL</u>)	50/60	720×576

Input signal from the [HDMI1] / [HDMI2] input port

Signal	Refresh rate (Hz)	Resolution (Dots)
<u>VGA</u> ▶▶	60	640×480
<u>SDTV</u> ▶▶(480i)	60	720×480
SDTV(576i)	50	720×576
SDTV(480p)	60	720×480
SDTV(576p)	50	720×576
<u>HDTV</u> ▶▶(720p)	50/60	1280×720
HDTV(1080i)	50/60	1920×1080
HDTV(1080p)	24/30/50/60	1920×1080

Computer image (analog RGB)

Signal	Refresh rate (Hz)	Resolution (Dots)
<u>VGA</u> ▶▶	60/72/75/85	640×480
<u>SVGA</u> ▶▶	56/60/72/75/85	800×600
<u>XGA</u> ▶▶	60/70/75/85	1024×768
<u>SXGA</u> ▶▶	70/75/85	1152×864
	60/75/85	1280×960
	60/75/85	1280×1024
WXGA	60	1280×768
	60	1360×768
	60/75/85	1280×800
MAC13"	67	640×480
MAC16"	75	832×624
MAC19"	59/75	1024×768
MAC21"	75	1152×870

Product name		EH-TW3600	EH-TW3200
Dimensions		450 (W) × 136 (H) × 360 (D) mm (not including feet)	
Panel size		0.74 inch wide	
Display method		Polysilicon TFT active matrix	
Resolution		2,073,600 pixels (1920 (W) × 1080 (H) dots) × 3	
Scanning frequencies	Digital	Pixel clock: 13.5 to 148.5 MHz	
		Horizontal: 15.63 to 67.5 kHz	
		Vertical: 24, 50 to 60 Hz	
	Analogue	Pixel clock: 13.5 to 157.5 MHz	
		Horizontal: 15.63 to 91.15 kHz	
		Vertical: 50 to 85 Hz	
Focus adjustment		Manual	
Zoom adjustment		Manual (Approx. 1 : 2.1)	
Lens shift		Manual (Maximums: Approx. 96% vertically, 47% horizontally)	
Lamp (light source)		UHE lamp, 200 W, Model No.: ELPLP49	
Power supply		100 to 240V AC±10%, 50/60Hz, 3.1 to 1.3A	
Power Consumption	100 to 120V area	Operating: 272W	
		Standby: 0.2W	
	220 to 240V area	Operating: 261W	
		Standby: 0.3W	
Operating altitude		0 to 2286m	
Operating temperature		+5 to +35°C (No condensation)	
Storage temperature		-10 to +60°C (No condensation)	
Mass		Approx. 7.3kg	
Ports	Component input	1	RCA pin jack × 3
	PC input	1	Mini D-sub 15-pin (female) blue
	HDMI input*	2	HDMI [®] HDCP compatible, incompatible with CEC signals
	Video input	1	RCA pin jack
	S-Video input	1	Mini DIN 4-pin
	RS-232C	1	D-sub 9-pin (male)
	Trigger out	1	3.5 mm mini jack

* You can connect any HDMI or DVI-D compatible equipment. However, depending on the equipment, the projector may not project any image.



Pixelworks DNX™ ICs are used in this Projector.

This product is also designed for IT power distribution system with phase-to-phase voltage 230V.

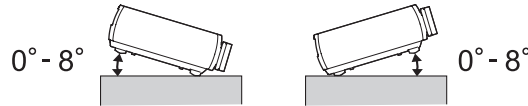
Product Information

For users in Turkey:
In Conformity with the Turkish EEE Regulation.

Türkiye'deki kullanıcılar için

EEE Yönetmeliğine Uygunur.

■ **Angle of tilt**

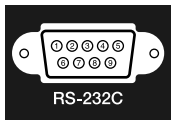


If you set the projector higher than 8 °, it could damage the projector and cause an accident.

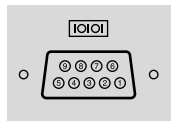
■ **RS-232C cable layout**

- Connector shape: D-Sub 9-pin (male)
- Projector input connector: RS-232C

<At projector>



<At computer>



<At projector> (PC serial cable) <At computer>

GND	5	—————	5	GND
RD	2	←————	3	TD
TD	3	————→	2	RD

Signal	Function
GND	Signal wire earth
TD	Transmit data
RD	Receive data





DECLARATION of CONFORMITY

According to 47CFR, Part 2 and 15
Class B Personal Computers and Peripherals; and/or
CPU Boards and Power Supplies used with Class B
Personal Computers

We: EPSON AMERICA, INC.
Located at: 3840 Kilroy Airport Way
MS: 3-13
Long Beach, CA 90806
Tel: 562-290-5254

Declare under sole responsibility that the product identified herein, complies with 47CFR Part 2 and 15 of the FCC rules as a Class B digital device. Each product marketed, is identical to the representative unit tested and found to be compliant with the standards. Records maintained continue to reflect the equipment being produced can be expected to be within the variation accepted, due to quantity production and testing on a statistical basis as required by 47CFR 2.909. Operation is subject to the following two conditions : (1) this device may not cause harmful interference, and (2) this device must accept any interference received, including interference that may cause undesired operation.

Trade Name: EPSON
Type of Product: LCD Projector
Model: H373C/H416C

FCC Compliance Statement For United States Users

This equipment has been tested and found to comply with the limits for a Class B digital device, pursuant to Part 15 of the FCC Rules. These limits are designed to provide reasonable protection against harmful interference in a residential installation. This equipment generates, uses and can radiate radio frequency energy and, if not installed and used in accordance with the instructions, may cause harmful interference to radio communications. However, there is no guarantee that interference will not occur in a particular installation. If this equipment does cause harmful interference to radio or television reception, which can be determined by turning the equipment off and on, the user is encouraged to try to correct the interference by one or more of the following measures:

- Reorient or relocate the receiving antenna.
- Increase the separation between the equipment and receiver.
- Connect the equipment into an outlet on a circuit different from that to which the receiver is connected.
- Consult the dealer or an experienced radio/TV technician for help.

WARNING

The connection of a non-shielded equipment interface cable to this equipment will invalidate the FCC Certification or Declaration of this device and may cause interference levels which exceed the limits established by the FCC for this equipment. It is the responsibility of the user to obtain and use a shielded equipment interface cable with this device. If this equipment has more than one interface connector, do not leave cables connected to unused interfaces. Changes or modifications not expressly approved by the manufacturer could void the user's authority to operate the equipment.

Following is an explanation of some of the terms used in this guide which may be unfamiliar or which were not explained in the manual itself. Further information can be obtained by referring to other commercially-available publications.

Aspect Ratio

The ratio between an image's length and its height. Wide screen refers to screens such as those for HDTV where the ratio between the width and the height is 16:9. The aspect ratio for SDTV and general computer screens is 4:3.

Component video

A method of separating images signals into luminance (Y), blue color difference (Cb or Pb) and red color difference (Cr or Pr) for video transmission.

Composite video

A video transmission method conveying luminance and chrominance signals together in a single cable.

Contrast

The relative brightness of the light and dark areas of an image can be increased or decreased in order to make text and graphics stand out more clearly, or to make them appear softer.

Cool-down

This is the process by which the projector's lamp is cooled down after it has become hot through use. It is carried out automatically when the [Power] button on either the remote control or the projector's control panel has been pressed to turn off the projector. Do not turn off the main power switch while cool-down is in progress, otherwise the cool-down process will not work properly. If the cool-down period is not allowed to finish normally, the projector's lamp and internal components will remain at high temperatures, and this may shorten the useful life of the lamp or cause problems with the operation of the projector. The projector takes about 16 seconds to cool down. The actual time will vary depending on the external air temperature.

HDCP

An abbreviation for High-bandwidth Digital Content Protection, which is a type of copyright protection technology used for preventing unauthorized copying by encoding digital signals which are transmitted and received via DVI and HDMI ports. The HDMI input terminals of this projector are HDCP compatible, so that digital images which are protected by HDCP technology can be projected. However, if changes are made to the HDCP standard, it may no longer be possible to project digital images which have been protected by the new, changed standard.

HDMI™

An abbreviation for High Definition Multimedia Interface, and refers to a standard for digital transmission of high-definition images and multi-channel audio signals.

HDMI™ is a standard that is targeted towards household digital equipment and computers that allows digital signals to be transmitted in their original high quality without compression, and it also includes a digital signal encryption function.

HDTV

An abbreviation for High-Definition Television. It refers to high-definition systems which satisfy the following conditions.

- Vertical resolution of 720p or 1080i or greater (p = progressive , i = interlace)
- Screen aspect of 16:9
- Dolby Digital audio reception and playback (or output)

Interlace

Displays an image by transmitting scan data for every other line from top to bottom. Because one frame is displayed in every other line, flickering may easily become visible.

NTSC

An abbreviation for National Television Standards Committee, and a format for ground-based analogue color television broadcasts. This format is used in Japan, North America and Central and South America.

PAL

An abbreviation for Phase Alternation by Line, and a format for ground-based analogue color television broadcasts. This format is used in Western European countries except France, and also in Asian countries such as China and in Africa.

Progressive

Displays an image for one frame line by line from top to bottom all at once. Even though the scanning lines are the same as for interlace scanning, flickering is much less visible in images because twice as much information transmitted per unit time.

S-Video

A method of separating images signals into luminance (Y) and chrominance (C) for video transmission.

SDTV

An abbreviation for Standard Definition Television. It refers to standard television systems which do not satisfy the conditions for HDTV.



SECAM

An abbreviation for Sequential Couleur A Memoire, and a format for ground-based analogue color television broadcasts. This format is used in France, Eastern Europe and the former Soviet Union, the Middle East and Africa.

Security lock

A device consisting of a protector case with a hole in it that a commercially-available theft-prevention cable can be passed through in order to secure the device to a table or pillar. This projector is compatible with the Microsaver Security System manufactured by Kensington.

SVGA

A screen resolution standard for 800(W) x 600(H) pixels.

SXGA

A screen resolution standard for 1280(W) x 1024(H) pixels.

Sync. (Synchronization)

The signals output from computers have a specific frequency. If the projector frequency does not match this frequency, the resulting images will not be of a good quality. The process of matching the phases of these signals (the relative position of the crests and troughs in the signal) is called "synchronization". If the signals are not synchronized, problems such as flickering, blurriness and horizontal interference can occur.

Tracking

The signals output from computers have a specific frequency. If the projector frequency does not match this frequency, the resulting images will not be of a good quality. The process of matching the frequency of these signals (the number of crests in the signal) is called "tracking". If tracking is not carried out correctly, wide vertical stripes will appear in the projected images.

VGA

A screen resolution standard for 640(W) x 480(H) pixels.

XGA

A screen resolution standard for 1024(W) x 768(H) pixels.

YCbCr

A component video signal for SDTV. Y indicates the luminance, and Cb and Cr indicate the color difference.

YPbPr

A component video signal for HDTV. Y indicates the luminance, and Pb and Pr indicate the color difference.

Numeric Character

2-2 Pull-down 28, 32

A

Abs. Color Temp. 28, 30
 Advanced 28, 30
 Air filter 8
 Aspect 18, 28, 31
 Auto 18
 Auto Iris 23, 28, 31
 Auto Setup 14, 28, 32

B

Battery replacement period (Remote control) 13
 Brightness 28, 30

C

Ceiling 11, 29, 34
 Child Lock 29, 33
 Cleaning the air filter 45
 Cleaning the lens 46
 Cleaning the projector case 46
 Color Mode 18, 28, 30
 Color Saturation 28, 30
 Component input port 8, 12, 51, 53
 Component Video 12, 51
 Composite Video 12, 51
 Configuration menu 26
 Connecting to a computer 12
 Connecting to a video source 12
 Consumables 50
 Contrast 28, 30
 Control Panel 6
 Control Panel Lock 29, 34
 Cool-down 15, 38
 Correcting projector tilt 17

D

Direct Power On 29, 33
 Display 29, 34
 Display Background 29, 34

E

Epson Cinema Filter 18
 EPSON Super White 28, 32
 Erase Memory 24, 29

F

Focus adjustment 6, 16
 Front adjustable foot 6
 Full 19
 Full Menu 26

G

Gain 22, 28
 Gamma 20, 28, 30

H

HDMI input port 8, 12, 52, 53

HDMI Video Range 28, 33
 HDTV 51, 52
 High Altitude Mode 29, 34
 Hue, saturation, and brightness adjustment 20

I

Illumination 29, 34
 "Image" menu 28, 30
 Image size 10
 Indicators 6, 37
 "Info" menu 29
 Input Signal 29, 35

L

Lamp cover 6, 48
 Lamp Hours 29
 Language 29, 35
 Lens cover 6, 14
 Lens shift 6, 16
 Line menu 26
 Load Memory 24, 29

M

Main power switch 8, 14, 15
 Memory 24
 "Memory" menu 29, 36
 Menu Color 29, 34
 Menu Position 29, 34
 Menus 26
 Messages 29
 Motion Detection 28, 32

N

Noise Reduction 28, 32
 Normal 19

O

Offset 22, 28
 Optional accessories 50
 Overheating 37
 Overscan 28, 33

P

PC input port 8, 12, 52, 53
 Port 8, 12, 53
 Position 28, 32
 Power cable 14
 Power Consumption 28, 31
 Power inlet 8, 14
 Progressive 28, 32
 Projection 11, 29, 34
 Projection distance 10
 Projection image position adjustment 16
 Projection methods 11

R

Refresh Rate 29
 Remote control 7, 13
 Replacing the air filter 48
 Replacing the battery 13



Replacing the lamp	48
Reset	28, 29, 31, 33, 35
Reset All	29, 36
Reset Lamp Hours	29, 48
Reset Memory	29, 36
"Reset" menu	29, 36
Resolution.....	29, 51
RGB.....	20, 28, 30
RGBCMY.....	20, 28, 31
RS-232C.....	54
RS-232C port	8, 53

S

Save Memory	24, 29
Screen size	10
SDTV	51, 52
Selecting the image source.....	6, 7, 15
"Settings" menu.....	29, 33
Setup Level	28, 32
Sharpness.....	28, 30
Sharpness (Advanced).....	23, 28, 30
"Signal" menu	28, 31
Skin Tone	28, 30
Sleep Mode	29, 33
Source	29
Specifications	53
Startup Screen	29, 34
Sub-menu	26
Supported Monitor Displays	51
S-Video	12, 51
S-Video input port	8, 12, 51, 53
Sync Info	29
Sync	28, 31

T

Test Pattern	17
Tint	28, 30
Top menu	26
Tracking	28, 31
Trigger Out	29, 34
Trigger out port	8, 53
Turning off.....	15

U

Using the configuration menus	26
-------------------------------------	----

V

Video input port	8, 12, 51, 53
Video Signal	29

W

Warning indicator	6, 37
Wide	19

X

x.v.Color	4, 18
-----------------	-------

Y

YCbCr.....	12, 29, 35
YPbPr.....	12, 29, 35

Z

Zoom	19
Zoom adjustment	6, 16
Zoom Caption Pos.	19, 28, 31
Zoom Size	28, 31

All rights reserved. No part of this publication may be reproduced, stored in a retrieval system, or transmitted in any form or by any means, electronic, mechanical, photocopying, recording, or otherwise, without the prior written permission of Seiko Epson Corporation. No patent liability is assumed with respect to the use of the information contained herein. Neither is any liability assumed for damages resulting from the use of the information contained herein.

Neither Seiko Epson Corporation nor its affiliates shall be liable to the purchaser of this product or third parties for damages, losses, costs, or expenses incurred by purchaser or third parties as a result of: accident, misuse, or abuse of this product or unauthorized modifications, repairs, or alterations to this product, or (excluding the U.S.) failure to strictly comply with Seiko Epson Corporation's operating and maintenance instructions.

Seiko Epson Corporation shall not be liable against any damages or problems arising from the use of any options or any consumable products other than those designated as Original Epson Products or Epson Approved Products by Seiko Epson Corporation.

The contents of this guide may be changed or updated without further notice.

Illustrations and screens used in this publication may differ from actual illustrations and screens.

General Notice:

"x.v.Color" and **x.v.Color** are trademarks of Sony Corporation.

Macintosh, Mac, and iMac are trademarks of Apple Inc.

Dolby is a trademark of Dolby Laboratories.

HDMI and High-Definition Multimedia Interface are trademarks or registered trademarks of HDMI Licensing LLC. **HDMI**
HIGH DEFINITION MULTIMEDIA INTERFACE

Pixelworks and DNX are trademarks of Pixelworks, Inc.

Other product names used herein are also for identification purposes only and may be trademarks of their respective owners. Epson disclaims any and all rights in those marks.

Free Manuals Download Website

<http://myh66.com>

<http://usermanuals.us>

<http://www.somanuals.com>

<http://www.4manuals.cc>

<http://www.manual-lib.com>

<http://www.404manual.com>

<http://www.luxmanual.com>

<http://aubethermostatmanual.com>

Golf course search by state

<http://golfingnear.com>

Email search by domain

<http://emailbydomain.com>

Auto manuals search

<http://auto.somanuals.com>

TV manuals search

<http://tv.somanuals.com>