

DESCRIPTION

The MSLED600 series outdoor security light provides the comfort of a security light, without the hassle of wiring a conventional fixture. Delivering 650 lumens when fully charged, this product is perfect for wall or eave mount. Install the solar panel virtually anywhere with the 16' cord (included). The integrated 180 degree motion sensor automatically turns the light on when motion is detected. This product features a replaceable battery that ensures you are charged and ready to go even in those not so sunny days. Available in bronze and white finishes.

Catalog #		Type
Project		
Comments		Date
Prepared by		

SPECIFICATION FEATURES

Construction

- Durable polycarbonate housing suitable for wet locations
- 6" x 8" amorphous solar panel with 16' cord
- One-handed adjustments to fixture head and motion sensor possible
- UV stable polycarbonate lens
- Suitable for wall or eave mounting

Electrical

- Replaceable Li-ion battery

Optics

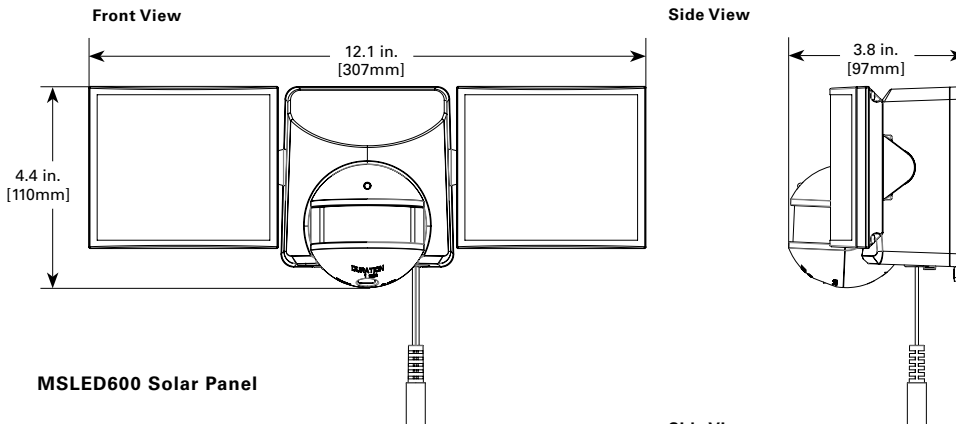
- Produces 650 lumens when fully charged
- Frosted lens for even light distribution
- 4000K CCT (bright white) perfect for security applications

Warranty

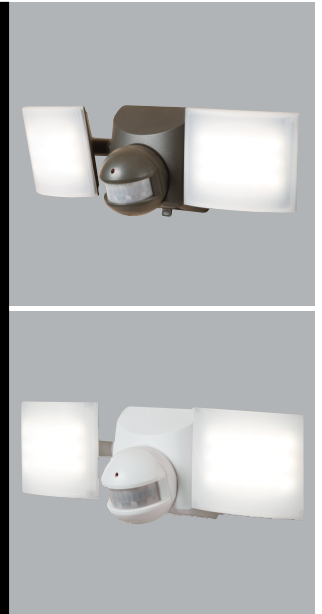
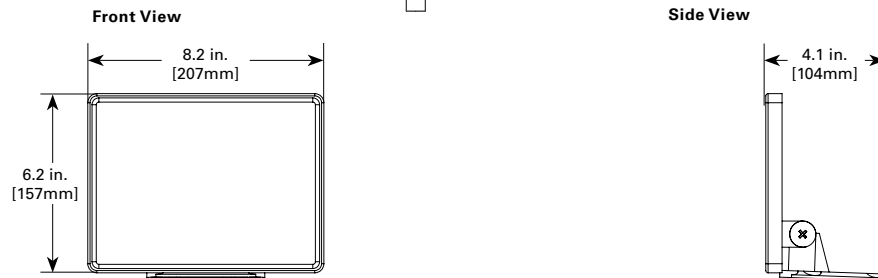
1 year limited warranty

DIMENSIONS

MSLED600



MSLED600 Solar Panel



MSLED600 SERIES

Solar Powered LED
Motion Activated

TECHNICAL DATA

650 lumens
100 min runtime
4000K CCT
84 CRI

ORDERING INFORMATION

Model	Description	Finish
MSLED600	LED twin head with motion sensor	Bronze
MSLED600W	LED twin head with motion sensor	White

Free Manuals Download Website

<http://myh66.com>

<http://usermanuals.us>

<http://www.somanuals.com>

<http://www.4manuals.cc>

<http://www.manual-lib.com>

<http://www.404manual.com>

<http://www.luxmanual.com>

<http://aubethermostatmanual.com>

Golf course search by state

<http://golfingnear.com>

Email search by domain

<http://emailbydomain.com>

Auto manuals search

<http://auto.somanuals.com>

TV manuals search

<http://tv.somanuals.com>