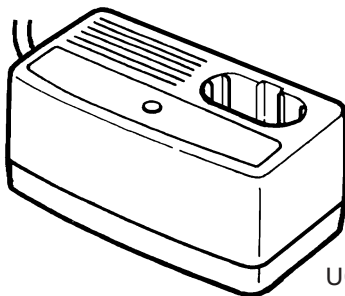


# Hitachi Koki

Model  
Modèle  
Modelo

UC 14SD • UC 18SD

Battery Charger  
Chargeur de batterie  
Cargador de baterias



UC14SD

## SAFETY INSTRUCTIONS AND INSTRUCTION MANUAL

### WARNING

**IMPROPER OR UNSAFE** use of this battery charger can result in death or serious bodily injury!

This manual contains important information about product safety. Please read and understand this manual **BEFORE** operating the power tool. Please keep this manual available for other users and owners before they use the battery charger. This manual should be stored in safe place.

## INSTRUCTIONS DE SECURITE ET MODE D'EMPLOI

### AVERTISSEMENT

**Une utilisation INCORRECTE OU DANGEREUSE** de ce chargeur de batterie peut entraîner la mort ou de sérieuses blessures corporelles!

Ce mode d'emploi contient d'importantes informations à propos de la sécurité de ce produit. Prière de lire et de comprendre ce mode d'emploi **AVANT** d'utiliser l'outil motorisé. Garder ce mode d'emploi à la disponibilité des autres utilisateurs et propriétaires avant qu'ils utilisent le chargeur de batterie. Ce mode d'emploi doit être conservé dans un endroit sûr.

## INSTRUCCIONES DE SEGURIDAD Y MANUAL DE INSTRUCCIONES

### ADVERTENCIA

¡La utilización **INAPROPIADA O PELIGROSA** de este cargador de baterías puede resultar en lesiones de gravedad o la muerte!

Este manual contiene información importante sobre la seguridad del producto. Lea y comprenda este manual **ANTES** de utilizar la herramienta eléctrica. Guarde este manual para que puedan leerlo otras personas antes de utilizar el cargador de baterías. Este manual debe ser guardado en un lugar seguro.

# CONTENTS

English

	Page		Page
IMPORTANT SAFETY INFORMATION .....	3	<b>OPERATION AND MAINTENANCE</b>	
MEANINGS OF SIGNAL WORDS .....	3	MODEL .....	7
<b>SAFETY</b>		NAME OF PARTS .....	7
IMPORTANT SAFETY INSTRUCTIONS		SPECIFICATIONS .....	7
FOR BATTERY CHARGER .....	4	APPLICATIONS .....	8
IMPORTANT SAFETY INSTRUCTIONS		CHARGING METHOD .....	8
FOR USE OF THE BATTERY AND		BEFORE USE .....	10
BATTERY CHARGER .....	5	MAINTENANCE AND INSPECTION .....	10
DISPOSAL OF THE EXHAUSTED BATTERY .....	6	STORAGE .....	10
		SERVICE AND REPAIRS .....	10
		PARTS LIST .....	29

# TABLE DES MATIERES

Français

	Page		Page
INFORMATIONS IMPORTANTES		<b>UTILISATION ET ENTRETIEN</b>	
DE SÉCURITÉ .....	11	MODÈLE .....	15
SIGNIFICATION DES MOTS		NOM DES PARTIES .....	15
D'AVERTISSEMENT .....	11	SPECIFICATIONS .....	16
<b>SECURITE</b>		UTILISATIONS .....	16
CONSIGNES DE SÉCURITÉ IMPORTANTES		MÉTHODE DE RECHARGE .....	16
POUR L'UTILISATION DU CHARGEUR		AVANT L'UTILISATION .....	18
DE BATTERIE .....	12	ENTRETIEN ET INSPECTION .....	18
CONSIGNES DE SÉCURITÉ IMPORTANTES		RANGEMENT .....	19
POUR L'UTILISATION DE LA BATTERIE		SERVICE APRES-VENTE ET REPARATIONS .....	19
ET DU CHARGEUR DE BATTERIE .....	13	LISTE DES PIÈCES .....	29
MISE AU REBUT D'UNE BATTERIE USÉE .....	14		

# ÍNDICE

Español

	Página		Página
INFORMACIÓN IMPORTANTE SOBRE		<b>OPERACIÓN Y MANTENIMIENTO</b>	
SEGURIDAD .....	20	MODELO .....	24
SIGNIFICADO DE LAS PALABRAS		NOMENCLATURA .....	24
DE SEÑALIZACIÓN .....	20	ESPECIFICACIONES .....	25
<b>SEGURIDAD</b>		APLICACIONES .....	25
INSTRUCCIONES IMPORTANTES		MÉTODO DE CARGA .....	25
DE SEGURIDAD PARA EL CARGADOR		ANTES DE LA UTILIZACIÓN .....	27
DE BATERÍAS .....	21	MANTENIMIENTO E INSPECCIÓN .....	27
INSTRUCCIONES IMPORTANTES		ALMACENAMIENTO .....	28
DE SEGURIDAD PARA LA BATERÍA		SERVICIO Y REPARACIONES .....	28
Y EL CARGADOR DE BATERÍAS .....	22	LISTA DE PIEZAS .....	29
ELIMINACIÓN LAS BATERÍAS AGOTADAS .....	23		

---

## **IMPORTANT SAFETY INFORMATION**

---

Read and understand all of the safety precautions, warnings and operating instructions in the Instruction Manual before operating or maintaining this battery charger.

Most accidents that result from battery charger operation and maintenance are caused by the failure to observe basic safety rules or precautions. An accident can often be avoided by recognizing a potentially hazardous situation before it occurs, and by observing appropriate safety procedures.

Basic safety precautions are outlined in the "SAFETY" section of this Instruction Manual and in the sections which contain the operation and maintenance instructions.

Hazards that must be avoided to prevent bodily injury or machine damage are identified by WARNINGS on the battery charger and in this Instruction Manual.

**NEVER** use this battery charger in a manner that has not been specifically recommended by HITACHI.

---

## **MEANINGS OF SIGNAL WORDS**

---

**WARNING** indicates a potentially hazardous situation which, if ignored, could result in death or serious injury.

**CAUTION** indicates a potentially hazardous situation which, if not avoided, may result in minor or moderate injury, or may cause machine damage.

**NOTE** emphasizes essential information.

# SAFETY

## IMPORTANT SAFETY INSTRUCTIONS FOR BATTERY CHARGER

**⚠ WARNING:** Death or serious bodily injury could result from improper or unsafe use of battery chargers. To avoid these risks, follow these basic safety instructions:

### READ ALL INSTRUCTIONS

1. This manual contains important safety and operating instructions for battery charger Model UC14SD and UC18SD.
2. Before using battery charger, read all instructions and cautionary markings on (1) battery charger, (2) battery, and (3) product using battery.
3. To reduce risk of injury, charge HITACHI rechargeable battery types EB1414 (For UC14SD) and EB1812S (For UC18SD). Other type of batteries may burst causing personal injury and damage.
4. Do not expose battery charger to rain or snow.
5. Use of an attachment not recommended or sold by the battery charger manufacturer may result in a risk of fire, electric shock, or injury to persons.
6. To reduce risk of damage to electric plug and cord, pull by plug when disconnecting battery charger.
7. Make sure cord is located so that it will not be stepped on, tripped over, or otherwise subjected to damage or stress.
8. An extension cord should not be used unless absolutely necessary. Use of improper extension cord could result in a risk of fire and electric shock. If extension cord must be used make sure:

- a. That blades of extension cord are the same number, size, and shape as those of plug on battery charger;
- b. That extension cord is properly wired and in good electrical condition; and
- c. That wire size is large enough for AC ampere rating of battery charger as specified in Table 1.

Table 1  
RECOMMENDED MINIMUM AWG SIZE FOR  
EXTENSION CORDS FOR BATTERY CHARGERS

AC Input Rating Amperes*		AWG Size of Cord			
Equal to or greater than	but less than	Length of Cord, Feet (Meter)			
		25 (7.5)	50 (15)	100 (30)	150 (45)
0	2	18	18	18	16
2	3	18	18	16	14
3	4	18	18	16	14

- \* If the input rating of a battery charger is given in watts rather than in amperes, the corresponding ampere rating is to be determined by dividing the wattage rating by the voltage rating—for example:

$$\frac{1250\text{watts}}{125\text{ volts}} = 10\text{ amperes}$$

9. Do not operate battery charger with damaged cord or plug—replace them immediately.
10. Do not operate battery charger if it has received a sharp blow, been dropped, or otherwise damaged in any way; take it to a qualified serviceman.
11. Do not disassemble battery charger; take it to a qualified serviceman when service or repair is required. Incorrect reassembly may result in a risk of electric shock or fire.
12. To reduce risk of electric shock, unplug charger from receptacle before attempting any maintenance or cleaning. Removing the battery will not reduce this risk.
13. This battery charger might be attached to HITACHI battery operated tools as a standard accessory. In this case, please confirm Instruction Manual of the HITACHI battery operated tools before using the battery charger.

---


## IMPORTANT SAFETY INSTRUCTIONS FOR USE OF THE BATTERY AND BATTERY CHARGER

---

You must charge the battery before you can use the power tool. Before using the model UC14SD and UC18SD battery charger, be sure to read all instructions and cautionary statements on it, the battery and in this manual.

**REMEMBER: USE ONLY HITACHI BATTERY TYPES EB1414 (FOR UC14SD) AND EB1812S (FOR UC18SD). OTHER TYPES OF BATTERIES MAY BURST AND CAUSE INJURY!**

Follow these instructions to avoid the risk of injury:

** WARNING: Improper use of the battery or battery charger can lead to serious injury. To avoid these injuries:**

1. **NEVER** disassemble the battery.
2. **NEVER** incinerate the battery, even if it is damaged or is completely worn out. The battery can explode in a fire.
3. **NEVER** short-circuit the battery.
4. **NEVER** insert any objects into the battery charger's air vents. Electric shock or damage to the battery charger may result.
5. **NEVER** charge outdoors. Keep the battery away from direct sunlight and use only where there is low humidity and good ventilation.
6. **NEVER** charge when the temperature is below 50°F (10°C) or above 104°F (40°C).
7. **NEVER** connect two battery chargers together.
8. **NEVER** insert foreign objects into the hole for the battery or the battery charger.

9. **NEVER** use a booster transformer when charging.
10. **NEVER** use an engine generator or DC power to charge.
11. **NEVER** store the battery or battery charger in places where the temperature may reach or exceed 104°F (40°C).
12. **ALWAYS** operate charger on standard household electrical power (120 volts). Using the charger on any other voltage may overheat and damage the charger.
13. **ALWAYS** wait at least 15 minutes between charges to avoid overheating the charger.
14. **ALWAYS** disconnect the power cord from its receptacle when the charger is not in use.

---

## **DISPOSAL OF THE EXHAUSTED BATTERY**

---

**⚠ WARNING:** Do not dispose of the exhausted battery. The battery must explode if it is incinerated. The product that you have purchased contains a rechargeable battery. The battery is recyclable. At the end of its useful life, under various state and local laws, it may be illegal to dispose of this battery into the municipal waste stream. Check with your local solid waste officials for details in your area for recycling options or proper disposal.

**SAVE THESE INSTRUCTIONS  
AND  
MAKE THEM AVAILABLE TO  
OTHER USERS  
AND  
OWNERS OF THIS TOOL!**

# OPERATION AND MAINTENANCE

**NOTE:** The information contained in this Instruction Manual is designed to assist you in the safe operation and maintenance of the battery charger.

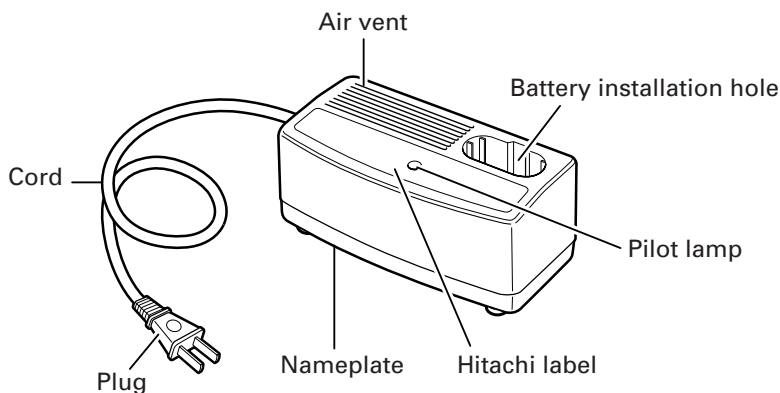
**NEVER** operate, or attempt any maintenance on the battery charger unless you have first read and understood all safety instructions contained in this manual.

Some illustrations in this Instruction Manual may show details or attachments that differ from those on your own battery charger.

## MODEL

UC14SD / UC18SD

## NAME OF PARTS



UC14SD

Fig. 1

## SPECIFICATIONS

Model	UC14SD	UC18SD
Input power source	Single phase: AC120V 60Hz	
Charging time	Approx. 60 minutes (EB1414)	Approx. 60 minutes (EB1812S)
Charging voltage	14.4V	18V
Charging current	1.55A	1.6A
Weight	3.5 lbs (1.6kg)	

## APPLICATIONS

For charging the HITACHI battery types EB1414 (For UC14SD) and EB1812S (For UC18SD).

## CHARGING METHOD

**NOTE:** Before plugging into the receptacle, make sure the following points.

- The power source voltage is stated on the nameplate.
- The cord is not damaged.

**⚠ WARNING:** Do not charge at voltage higher than indicated on the nameplate.  
If charged at voltage higher than indicated on the nameplate, the charger will burn up.

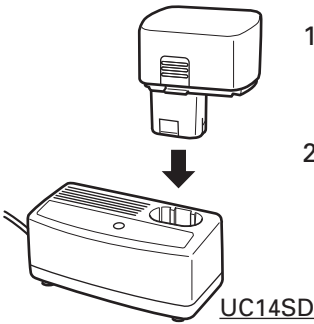


Fig. 2

1. Insert the battery to the battery charger.  
Insert the battery into the battery charger as shown in Fig. 2. Make sure it contacts the bottom of the battery charger.
2. Insert the plug of battery charger into the receptacle.



**⚠ WARNING:**  
Do not use the electrical cord if damaged. Have it repaired immediately.

### 3. Charging

- When the plug of battery charger has been inserted into the receptacle, charging will commence and the pilot lamp will light on.

**NOTE:** If the pilot lamp does not light, pull out the plug from the receptacle and check if the battery is properly mounted.

- In approx. one hour, when the battery is fully charged, the pilot lamp will go out.

**NOTE:** ○ The battery charging time becomes longer when a temperature is low or the voltage of the power source is too low.

When the pilot lamp does not go off even if more than four hour has passed after start of the charging, stop the charging and contact your HITACHI AUTHORIZED SERVICE CENTER.



- The UC14SD is a charger to be used exclusively for the EB1414 battery. Avoid charging batteries with the charger other than the EB1414 battery. While it is possible to insert the 7.2V, 9.6V, 12V and 24V batteries into the charger lighting up the pilot lamp, please note that no charging can be made.
- The UC18SD is a charger to be used exclusively for the EB1812S battery. Avoid charging batteries with the charger other than the EB1812S battery. While it is possible to insert the 7.2V, 9.6V, 12V and 24V batteries into the charger lighting up the pilot lamp, please note that no charging can be made.  
Inserting a 14.4V battery into this charger will commence charging. However, do not do so since this may damage the battery and charger.

4. Disconnect battery charger from the receptacle.

**⚠ CAUTION:**

**Do not pull the plug out of the receptacle by pulling on the cord.**

**Make sure to grasp the plug when removing from receptacle to avoid damaging cord.**

5. Remove the battery from the battery charger.

Supporting the battery charger with hand, pull out the battery from the battery charger.

**Regarding electric discharge in case of new batteries, etc.**

As the internal chemical substance of new batteries and batteries that have not been used for an extended period is not activated, the electric discharge might be low when using them the first and second time. This is a temporary phenomenon, and normal time required for recharging will be restored by recharging the batteries 2 – 3 times.

**How to make the batteries perform longer.**

- Recharge the batteries before they become completely exhausted.  
When you feel that the power of the tool becomes weaker, stop using the tool and recharge its battery. If you continue to use the tool and exhaust the electric current, the battery may be damaged and its life will become shorter.
- Avoid recharging at high temperatures.  
A rechargeable battery will be hot immediately after use. If such a battery is recharged immediately after use, its internal chemical substance will deteriorate, and the battery life will be shortened. Leave the battery and recharge it after it has cooled for a while.

**⚠ CAUTION:**

- **When the battery charger has been continuously used, the battery charger will be heated, thus constituting the cause of the failures. Once the charging has been completed, give 15 minutes rest until the next charging.**
- **If the battery is recharged when it is warm due to battery use or exposure to sunlight, the pilot lamp may not light.  
The battery will not be recharged. In such a case, let the battery cool before charging.**
- **If the battery charger does not work while the battery is mounted correctly, it is probable that the battery or charger is malfunctioning. Take it to your authorized Service Center.**

---

## **BEFORE USE**

---

Check the work area to make sure that it is clear of debris and clutter.  
Clear the area of unnecessary personnel. Ensure that lighting and ventilation is adequate.

---

## **MAINTENANCE AND INSPECTION**

---

 **CAUTION: Pull out battery before doing any inspection or maintenance.**

1. Check the Screws  
Loose screws are dangerous. Regularly inspect them and make sure they are tight.

 **CAUTION: Using this battery charger with loosened screws is extremely dangerous.**

2. Check for Dust  
Dust may be removed with a soft cloth or a cloth dampened with soapy water.  
Do not use bleach, chlorine, gasoline or thinner, for they may damage the plastics.
3. Service parts list

 **CAUTION:**

**Repair, modification and inspection of Hitachi Power Tools must be carried out by an Hitachi Authorized Service Center.**

**This Parts List will be helpful if presented with the tool to the Hitachi Authorized Service Center when requesting repair or other maintenance. In the operation and maintenance of power tools, the safety regulations and standards prescribed in each country must be observed.**

### **MODIFICATIONS:**

Hitachi Power Tools are constantly being improved and modified to incorporate the latest technological advancements.

Accordingly, some parts (i.e. code numbers and/or design) may be changed without prior notice.

---

## **STORAGE**

---

Storing in a place below 104°F (40°C) and out of the reach of children.

---

## **SERVICE AND REPAIRS**

---

All quality power tools will eventually require servicing or replacement of parts because of wear from normal use. To assure that only authorized replacement parts will be used, all service and repairs must be performed by a HITACHI AUTHORIZED SERVICE CENTER, ONLY.

**NOTE:** Specifications are subject to change without any obligation on the part of the HITACHI.

---

## INFORMATIONS IMPORTANTES DE SÉCURITÉ

---

Lire et comprendre toutes les précautions de sécurité, les avertissements et les instructions de fonctionnement dans ce mode d'emploi avant d'utiliser ou d'entretenir ce chargeur de batterie.

La plupart des accidents causés lors de l'utilisation ou de l'entretien du chargeur de batterie proviennent d'un non respect des règles ou précautions de base de sécurité. Un accident peut la plupart du temps être évité si l'on reconnaît une situation de danger potentiel avant qu'elle ne se produise, et en observant les procédures de sécurité appropriées.

Les précautions de base de sécurité sont mises en évidence dans la section "SECURITE" de ce mode d'emploi et dans les sections qui contiennent les instructions de fonctionnement et d'entretien.

Les dangers qui doivent être évités pour prévenir des blessures corporelles ou un endommagement de la machine sont identifiés par AVERTISSEMENTS sur le chargeur de batterie et dans ce mode d'emploi.

**NE JAMAIS** utiliser ce chargeur de batterie d'une manière qui n'est pas spécifiquement recommandée par HITACHI.

---

## SIGNIFICATION DES MOTS D'AVERTISSEMENT

---

**AVERTISSEMENT** indique des situations potentiellement dangereuses qui, si elles sont ignorées, pourraient entraîner la mort ou de sérieuses blessures.

**PRECAUTION** indique des situations dangereuses potentielles qui, si elles ne sont pas évitées, peuvent entraîner de mineures et légères blessures ou endommager la machine.

**REMARQUE** met en relief des informations essentielles.

# SECURITE

## CONSIGNES DE SÉCURITÉ IMPORTANTES POUR LE CHARGEUR DE BATTERIE

**⚠ AVERTISSEMENT:** Une utilisation incorrecte ou dangereuse des chargeurs de batterie peut entraîner la mort ou des blessures graves:

### LIRE TOUT CE MODE D'EMPLOI.

1. Ce manuel renferme des instructions de sécurité et de fonctionnement importantes pour les chargeurs de batterie modèles UC14SD et UC18SD.
2. Avant d'utiliser le chargeur de batterie, lire toutes les étiquettes d'instruction et de précaution apposées sur (1) le chargeur de batterie, (2) la batterie, et (3) le produit utilisant la batterie.
3. Pour réduire tout risque de blessures, recharger des batteries rechargeables HITACHI types EB1414 (pour UC14SD) et EB1812S (pour UC18SD). Les autres types de batterie pourraient exploser et provoquer des blessures ou des dommages.
4. Ne pas exposer le chargeur à la pluie ni à la neige.
5. L'utilisation d'un accessoire non recommandé ou non vendu par le fabricant du chargeur de batterie risque de provoquer un feu, une décharge électrique ou des blessures.
6. Pour réduire tout risque de dommage de la fiche et du cordon électrique, débrancher le cordon du chargeur en tirant sur la fiche.
7. Vérifier que le cordon est placé de façon que personne ne puisse marcher dessus, se prendre les pieds dedans, ni l'endommager ou le soumettre à des contraintes.
8. Ne pas utiliser de cordon de rallonge si cela n'est pas absolument nécessaire. L'utilisation d'un cordon de rallonge incorrect pourrait entraîner un feu ou une décharge électrique. Si l'on doit utiliser un cordon de rallonge, s'assurer que:
  - a. Les broches de la rallonge ont les mêmes numéro, taille et forme que celles de la fiche du chargeur;
  - b. Le cordon de rallonge est correctement raccordé et en bon état électrique;
  - c. Le calibre du fil doit être au moins suffisant pour l'intensité nominale CA (ampères) du chargeur de batterie spécifiées dans le tableau ci-dessous.

Tableau 1  
CALIBRE MINIMUM RECOMMANDÉ POUR LES CORDONS DE RALLONGE  
DES CHARGEURS DE BATTERIE

Intensité nominale d'entrée CA (ampères)*		Calibre du cordon			
Egal ou supérieur à	mais non inférieur à	Longueur de cordon en pieds (mètres)			
		25 (7,5)	50 (15)	100 (30)	150 (45)
0	2	18	18	18	16
2	3	18	18	16	14
3	4	18	18	16	14

- \* Si l'intensité nominale d'entrée du chargeur de batterie est donnée en watts et non en ampères, calculer la capacité en ampères correspondante en divisant la capacité en ampères par la capacité de tension, par exemple:

$$\frac{1250 \text{ watts}}{125 \text{ volts}} = 10 \text{ ampères}$$

9. Ne pas utiliser le chargeur si son cordon ou sa fiche sont endommagés - Le remplacer immédiatement.
10. Ne pas utiliser le chargeur s'il a reçu un coup, s'il est tombé ou endommagé de toute autre manière. L'apporter à un réparateur qualifié.
11. Ne pas démonter le chargeur ni le produit qui reçoit la batterie; si un entretien ou des réparations sont nécessaires, les apporter à un réparateur qualifié. Un remontage incorrect pourrait provoquer une décharge électrique ou un feu.
12. Pour réduire tout risque de décharge électrique, débrancher le chargeur de la prise secteur avant tout entretien ou nettoyage. Il ne suffit pas de sortir la batterie.
13. Ce chargeur de batterie pourra être fixé comme accessoire standard sur les outils HITACHI alimentés sur batterie. Dans ce cas, vérifier le mode d'emploi de l'outil HITACHI alimenté sur batterie avant d'utiliser le chargeur de batterie.

## CONSIGNES DE SÉCURITÉ IMPORTANTES POUR L'UTILISATION DE LA BATTERIE ET DU CHARGEUR DE BATTERIE

Pour pouvoir utiliser l'outil motorisé, il faudra recharger la batterie. Avant d'utiliser les chargeurs de batterie modèles UC14SD et UC18SD, bien lire toutes les instructions et les précautions spécifiées sur le chargeur, sur la borne de la batterie et dans ce manuel.

**BIEN NOTER: UTILISER EXCLUSIVEMENT DES BATTERIES HITACHI DE TYPES EB1414 (POUR UC14SD) ET EB1812S (POUR UC18SD). L'UTILISATION D'AUTRES TYPES DE BATTERIES RISQUE DE PROVOQUER UNE EXPLOSION ET DE CAUSER DES BLESSURES!**

Pour éviter tout risque de blessure, observer les consignes suivantes:

**⚠ AVERTISSEMENT: Une utilisation incorrecte de la batterie ou du chargeur de batterie risque de provoquer des blessures. Pour éviter tout risque de blessure:**

1. **NE JAMAIS** démonter la batterie.
2. **NE JAMAIS** jeter la batterie au feu, même si elle est endommagée ou complètement usée. La batterie risque d'exploser au feu.
3. **NE JAMAIS** court-circuiter la batterie.
4. **NE JAMAIS** insérer d'objets dans les ouïes d'aération du chargeur. Il pourrait en résulter un choc électrique ou des dommages du chargeur.
5. **NE JAMAIS** effectuer la recharge à l'extérieur. Eloigner la batterie des rayons directs du soleil et utiliser exclusivement dans des endroits à faible humidité et bien aérés.
6. **NE JAMAIS** effectuer la recharge si la température est inférieure à 50°F (10°C) ou supérieure à 104°F (40°C).
7. **NE JAMAIS** raccorder deux chargeurs de batterie ensemble.
8. **NE JAMAIS** insérer de corps étrangers dans l'orifice de la batterie ou du chargeur de batterie.
9. **NE JAMAIS** utiliser de transformateur-élévateur pour la recharge.
10. **NE JAMAIS** utiliser de générateur de moteur ni d'alimentation CC pour la recharge.
11. **NE JAMAIS** ranger la batterie ni le chargeur de batterie dans un lieu où la température peut atteindre ou dépasser 104°F (40°C).
12. **TOUJOURS** alimenter le chargeur sur une prise secteur domestique standard (120 volts). L'utilisation du chargeur à une autre tension peut entraîner une surchauffe et endommager le chargeur.
13. **TOUJOURS** attendre au moins 15 minutes entre deux recharges pour éviter toute surchauffe du chargeur.
14. **TOUJOURS** débrancher le cordon d'alimentation de la prise secteur lorsqu'on ne se sert pas du chargeur.

---

## **MISE AU REBUT D'UNE BATTERIE USÉE**

---

**⚠ AVERTISSEMENT:** Ne pas jeter la batterie usée aux ordures ménagères. La batterie risque d'exploser si elle est incinérée. L'appareil que vous avez acheté renferme une batterie rechargeable. La batterie est recyclable. Lorsqu'elle a atteint sa limite de service, selon les lois des états et les lois locales, il peut être illégal de jeter cette batterie aux ordures ménagères. Vérifier auprès de son service de ramassage d'ordures les options de recyclage et la procédure correcte de mise au rebut.

**CONSERVER CES INSTRUCTIONS  
ET  
LES METTRE A LA DISPOSITION  
DES AUTRES UTILISATEURS  
ET  
PROPRIETAIRES DE CET OUTIL!**

# UTILISATION ET ENTRETIEN

**REMARQUE:** Les informations contenues dans ce mode d'emploi sont conçues pour assister l'utilisateur dans une utilisation sans danger et un entretien du chargeur de batterie.

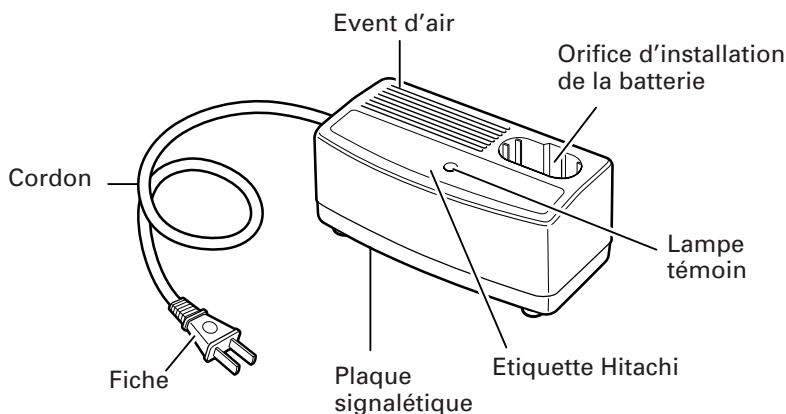
**NE JAMAIS** utiliser ni entreprendre une révision du chargeur de batterie sans avoir d'abord lu et compris toutes les instructions de sécurité contenues dans ce manuel.

Certaines illustrations dans ce mode d'emploi peuvent montrer des détails ou des accessoires différents de ceux du chargeur de batterie.

## MODÈLE

UC14SD / UC18SD

## NOM DES PARTIES



UC14SD

Fig. 1



## SPECIFICATIONS

Modèle	UC14SD	UC18SD
Source d'alimentation d'entrée	Monophasée : CA 120 V 60 Hz	
Durée de recharge	Environ 60 minutes (EB1414)	Environ 60 minutes (EB1812S)
Tension de charge	14,4V	18V
Courant de charge	1,55 A	1,6A
Poids	3,5 lbs (1,6 kg)	

## UTILISATIONS

Pour la recharge des batteries HITACHI types EB1414 (pour UC14SD) et EB1812S (pour UC18SD).

## MÉTHODE DE RECHARGE

**REMARQUE:** Avant de brancher le chargeur dans la prise, vérifier les points suivants:

- La tension de la source d'alimentation est indiquée sur la plaque signalétique.
- Le cordon n'est pas endommagé.

**⚠ AVERTISSEMENT:** Ne pas effectuer de recharge à une tension supérieure à la tension indiquée sur la plaque signalétique. Cela brûlerait le chargeur.

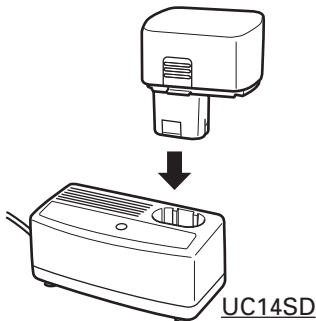


Fig. 2

1. Insérer la batterie dans le chargeur de batterie.  
Insérer la batterie dans le chargeur de batterie comme indiqué à la Fig. 2. Bien s'assurer qu'elle touche le fond du chargeur de batterie.
2. Brancher la fiche du chargeur de batterie dans la prise.



**⚠ AVERTISSEMENT:**  
Ne pas utiliser le cordon électrique s'il est endommagé. Le faire réparer immédiatement.

### 3. Recharge

- Quand la fiche du chargeur de batterie est insérée dans la prise, la recharge commence et la lampe témoin s'allume.

**REMARQUE:** Si la lampe témoin ne s'allume pas, débrancher la fiche de la prise et vérifier si la batterie est insérée correctement.

- Au bout d'une heure environ, quand la batterie est complètement rechargée, la lampe témoin s'éteint.

**REMARQUE:** ○ Le temps de recharge de la batterie devient plus long si la température est basse ou que la tension d'alimentation est trop faible.

Si la lampe témoin ne s'éteint pas bien qu'il se soit écoulé plus de quatre heures après le début de la recharge, arrêter la recharge et consulter son SERVICE APRES-VENTE HTACHI AGREE.

- Le chargeur UC14SD est conçu exclusivement pour la batterie EB1414. Ne pas recharger d'autres batteries avec le chargeur que les batteries EB1414. Bien qu'il soit possible d'insérer des batteries de 7,2 V, 9,6 V, 12 V et 24 V dans le chargeur et que la lampe témoin s'allume, la recharge ne s'effectuera pas.
- L'UC18SD est un chargeur de batterie conçu exclusivement pour la batterie EB1812S. Ne pas recharger d'autres batteries que des batteries EB1812S avec ce chargeur. S'il est possible d'insérer des batteries de 7,2 V, 9,6 V, 12 V et 24 V dans le chargeur et que le témoin s'allume, noter toutefois que la recharge ne sera pas possible. Le fait d'insérer une batterie de 14,4 V dans le chargeur déclenche la recharge. Toutefois, ne pas le faire car cela risque d'endommager la batterie et le chargeur.

### 4. Débrancher le chargeur de batterie de la prise.

#### ATTENTION:

**Ne pas débrancher la fiche de la prise en tirant sur le cordon.**

**Pour éviter tout dommage lorsqu'on débranche la fiche de la prise, bien tenir la fiche proprement dite.**

### 5. Retirer la batterie du chargeur de batterie.

Sortir la batterie du chargeur tout en la soutenant de la main.

#### En ce qui concerne le courant de décharge d'une batterie neuve

Etant donnée que les substances chimiques internes sont restées inactives dans le cas des batteries neuves ou des batteries qui sont restées longtemps inutilisées, le courant de décharge risque d'être très faible lors des première et deuxième utilisations. Ce phénomène est temporaire et le temps de recharge normal sera rétabli quand les batteries auront été rechargées 2 ou 3 fois.

## Comment prolonger la durée de vie des batteries

- Recharger les batteries avant qu'elles ne soient complètement épuisées.  
Quand la puissance de l'outil utilisé faiblit, l'éteindre et recharger la batterie. Si l'outil continue d'être utilisé jusqu'à épuisement du courant électrique, la batterie risque d'être endommagée et sa durée de vie se raccourcira.
- Eviter d'effectuer la recharge sous des températures élevées.  
Une batterie est toujours chaude immédiatement après son utilisation. Si la batterie est rechargée immédiatement après utilisation, les substances chimiques internes risquent de se détériorer et la durée de vie de la batterie se raccourcira. Laisser la batterie refroidir un moment avant de l'utiliser.

### ATTENTION:

- **Si le chargeur a fonctionné pendant longtemps de suite, il sera chaud, ce qui risque de provoquer des pannes. Lorsque la recharge est terminée, laisser le chargeur refroidir pendant environ 15 minutes avant de passer à la recharge suivante.**
- **Si l'on recharge la batterie lorsqu'elle est chaude, soit parce qu'elle vient de fonctionner, soit parce qu'elle est en plein soleil, la lampe témoin risque de ne pas s'allumer. La batterie ne se rechargera pas. Dans ce cas, laisser la batterie refroidir avant de la recharger.**
- **Si le chargeur de batterie ne fonctionne pas alors que la batterie est installée correctement, il s'agit probablement d'une anomalie de la batterie ou du chargeur. Les porter au service après-vente agréé.**

## AVANT L'UTILISATION

Vérifier l'aire de travail pour s'assurer qu'il n'y a ni débris ni désordre.

Evacuer toutes les personnes non nécessaires au travail. S'assurer que l'éclairage et la ventilation sont satisfaisants.

## ENTRETIEN ET INSPECTION

### ATTENTION: Sortir la batterie avant toute opération d'inspection ou d'entretien.

#### 1. Vérifier les vis

Des vis mal serrées sont dangereuses. Les inspecter régulièrement et vérifier qu'elles sont serrées à fond.

### ATTENTION: Il serait extrêmement dangereux d'utiliser ce chargeur de batterie avec des vis mal serrées.

#### 2. Vérifier s'il y a de la poussière

Enlever la poussière avec un chiffon doux ou un chiffon humecté d'eau savonneuse. Ne pas utiliser de décolorant, chlorure, essence ou diluant, car ces produits pourraient endommager le plastique.

### 3. Liste des pièces de rechange

#### PRECAUTION:

**Les réparations, modifications et inspections des outils électriques Hitachi doivent être confiées à un service après-vente Hitachi agréé. Il sera utile de présenter cette liste de pièces au service après-vente Hitachi agréé lorsqu'on apporte un outil nécessitant des réparations ou tout autre entretien.**

**Lors de l'utilisation et de l'entretien d'un outil électrique, respecter les règlements et les normes de sécurité en vigueur dans le pays en question.**

#### MODIFICATIONS:

Les outils électriques Hitachi sont constamment améliorés et modifiés afin d'incorporer les tous derniers progrès technologiques.

En conséquence, il est possible que certaines pièces (c.-à-d. no. de code et/ou dessin) soient modifiées sans avis préalable.

---

## RANGEMENT

Ranger dans un lieu dont la température est inférieure à 104°F (40°C), et hors de portée des enfants.

---

## SERVICE APRES-VENTE ET RÉPARATIONS

Tous les outils motorisés de qualité auront éventuellement besoin d'une réparation ou du remplacement d'une pièce à cause de l'usure normale de l'outil. Pour assurer que seules des pièces de rechange autorisées seront utilisées, tous les entretiens et les réparations doivent être effectués uniquement par UN CENTRE DE SERVICE HITACHI AUTORISÉ.

**REMARQUE:** Les spécifications sont sujettes à modification sans aucune obligation de la part de HITACHI.

---

## INFORMACIÓN IMPORTANTE SOBRE SEGURIDAD

---

Antes de utilizar o de realizar cualquier trabajo de mantenimiento de este cargador de baterías, lea y comprenda todas las precauciones de seguridad, advertencias e instrucciones de funcionamiento de este Manual de instrucciones.

La mayoría de los accidentes producidos en la operación y el mantenimiento de un cargador de baterías se deben a la falta de observación de las normas o precauciones de seguridad. Los accidentes normalmente podrán evitarse reconociendo una situación potencialmente peligrosa a tiempo y siguiendo los procedimientos de seguridad apropiados.

Las precauciones básicas de seguridad se describen en la sección "SEGURIDAD" de este Manual de instrucciones y en las secciones que contienen las instrucciones de operación y mantenimiento.

Para evitar lesiones o el daño del cargador de baterías, los riesgos están identificados con ADVERTENCIAS en dicho cargador y en este Manual de instrucciones.

No utilice **NUNCA** este cargador de baterías de ninguna forma que no esté específicamente recomendada por HITACHI.

---

## SIGNIFICADO DE LAS PALABRAS DE SEÑALIZACIÓN

---

**ADVERTENCIA** indica situaciones potencialmente peligrosas que, si se ignoran, pueden resultar en la muerte o en lesiones de gravedad.

**PRECAUCIÓN** indica situaciones potencialmente peligrosas que, de no evitarse, pueden resultar en lesiones menores o moderadas, o causar daños en la herramienta eléctrica.

**NOTA** acentúa información esencial.

# SEGURIDAD

## INSTRUCCIONES IMPORTANTES DE SEGURIDAD PARA EL CARGADOR DE BATERÍAS

**⚠ ADVERTENCIA:** La utilización inadecuada del cargador de baterías puede resultar en lesiones serias o en la muerte. Para evitar estos riesgos, siga las instrucciones de seguridad ofrecidas a continuación:

### LEA TODAS LAS INSTRUCCIONES

1. Este manual contiene importantes instrucciones de seguridad y de funcionamiento para el cargador de baterías modelo UC14SD y UC18SD.
2. Antes de utilizar el cargador de baterías, lea todas las instrucciones y tenga en cuenta las marcas de precaución de (1) el cargador de baterías, (2) la batería, y (3) el producto que utiliza la batería.
3. Para reducir el riesgo de lesiones, cargue baterías recargables HITACHI EB1414 (para UC14SD) y EB1812S (para UC18SD). Otros tipos de baterías podrían explotar causando lesiones y daños.
4. No exponga el cargador de baterías a la lluvia ni a la nieve.
5. La utilización de un accesorio no recomendado o vendido por el fabricante del cargador de baterías puede resultar en el riesgo de incendios, en descargas eléctricas, o en lesiones.
6. Para reducir el riesgo de dañar el cable y el enchufe, para desconectar el cable del cargador de baterías, tire del enchufe.
7. Cerciórese de que el cable quede situado donde no pueda pisarse, donde nadie pueda tropezar con él, y donde no pueda recibir daños.
8. A menos que sea absolutamente necesario, no deberá utilizarse un cable prolongador. La utilización de un cable prolongador inadecuado podría resultar en el riesgo de incendios y descargas eléctricas.  
Cuando tenga que utilizar un cable prolongador, cerciórese de que:
  - a. El enchufe del cable prolongador sea igual en tamaño y forma que el del cargador de baterías;
  - b. El cable prolongador esté adecuadamente conectado y en buenas condiciones eléctricas; y
  - c. Que el calibre del cable sea suficiente para el amperaje de CA del cargador de baterías, como se especifica en la Tabla 1.

Tabla 1  
CALIBRE (AWG) MÍNIMO RECOMENDADO PARA CABLES PROLONGADORES  
PARA EL CARGADOR DE BATERÍAS

Amperaje nominal de entrada de CA*		Calibre (AWG) del cable			
Igual o superior a	pero inferior a	Longitud del cable, Pies (metros)			
		25 (7,5)	50 (15)	100 (30)	150 (45)
0	2	18	18	18	16
2	3	18	18	16	14
3	4	18	18	16	14

\* Si la entrada nominal del cargador de baterías se indica en vatios en vez de amperios, el amperaje nominal correspondiente se determinará dividiendo el vataje por la tensión, por ejemplo:

$$\frac{1250 \text{ vatios}}{125 \text{ voltios}} = 10 \text{ amperios}$$

9. No utilice el cargador de baterías con un cable o un enchufe dañado. Si están dañados, reemplácelos inmediatamente.
10. No utilice el cargador de baterías si ha recibido un golpe, si ha caído, o si está dañado de alguna otra forma. Llévelo a un técnico cualificado.
11. No desarme el cargador de baterías. Cuando necesite reparación, llévelo a un técnico cualificado. El reensamblaje incorrecto podría resultar en el riesgo de incendios o descargas eléctricas.
12. Para reducir el riesgo de descargas eléctricas, desenchufe el cargador del tomacorriente antes de intentar realizar cualquier operación de mantenimiento o de limpiarlo. La extracción de la batería no reducirá este riesgo.
13. Este cargador de baterías puede utilizarse con herramientas alimentadas con batería HITACHI como accesorio estándar. En este caso, antes de utilizarlo, lea los manuales de instrucciones de las herramientas alimentadas con batería HITACHI.

## INSTRUCCIONES IMPORTANTES DE SEGURIDAD PARA LA BATERÍA Y EL CARGADOR DE BATERÍAS

Usted deberá cargar la batería antes de utilizar la herramienta eléctrica. Antes de utilizar el cargador de baterías UC14SD y UC18SD, asegúrese de leer atentamente todas las instrucciones y precauciones que figuran en las mismas, en el terminal de la batería y en este manual.

**RECUERDE QUE: SÓLO SE DEBERÁN UTILIZAR BATERÍAS HITACHI TIPOS EB1414 (PARA UC14SD) Y EB1812S (PARA UC18SD). OTROS TIPOS DE BATERÍAS PODRÁN EXPLOTAR Y PRODUCIR LESIONES.**

Para evitar el riesgo de lesiones, siga las instrucciones ofrecidas a continuación:

**⚠ ADVERTENCIA:** La utilización inadecuada de la batería o del cargador de baterías puede conducir a lesiones serias. Para evitar estas lesiones:

1. **NUNCA** desarme la batería.
2. **NUNCA** incinere la batería, aunque esté dañada o completamente agotada. La batería podría explotar en el fuego.
3. **NUNCA** cortocircuite la batería.
4. **NUNCA** inserte ningún objeto en las ranuras de ventilación del cargador. Si lo hiciese podría recibir descargas eléctricas o dañar el cargador de baterías.
5. **NUNCA** cargue en exteriores. Mantenga la batería alejada de la luz solar directa, y utilícela solamente donde haya poca humedad y una buena ventilación.
6. **NUNCA** cargue cuando la temperatura sea inferior a 50°F (10°C) o superior a 104°F (40°C).
7. **NUNCA** conecte dos cargadores de baterías juntos.
8. **NUNCA** inserte objetos extraños en el orificio para la batería ni en el cargador de baterías.
9. **NUNCA** utilice un transformador elevador para cargar.
10. **NUNCA** utilice un motogenerador ni tensión de CC para cargar.
11. **NUNCA** guarde la batería ni el cargador de baterías en lugares en los que la temperatura pueda alcanzar o sobrepasar 104°F (40°C).
12. **SIEMPRE** utilice el cargador con un tomacorriente (120 voltios). La utilización de un cargador con cualquier otra tensión podría hacer que éste se recalentase y dañase.
13. **SIEMPRE** espere 15 minutos por lo menos entre las cargas para evitar que el cargador se recaliente.
14. **SIEMPRE** desconecte el cable de alimentación del tomacorriente cuando no vaya a utilizar el cargador.

---

## ELIMINACIÓN DE LAS BATERÍAS AGOTADAS

---

**⚠ ADVERTENCIA:** No tire las baterías agotadas. Las baterías pueden explotar si se incineran. El producto que ha adquirido contiene una batería. La batería es reciclable. Cuando se agote su duración útil, de acuerdo con las leyes estatales y locales, puede ser ilegal tirar esta batería a la basura, Solicite a las autoridades locales los detalles sobre las opciones de reciclado o de la forma de deshacerse apropiadamente de la batería.



**¡GUARDE ESTAS INSTRUCCIONES  
Y  
PÓNGALAS A DISPOSICIÓN DE  
OTROS USUARIOS  
Y  
PROPIETARIOS DE ESTA  
HERRAMIENTA!**

# OPERACIÓN Y MANTENIMIENTO

**NOTA:** La información contenida en este Manual de instrucciones ha sido diseñada para ayudarle a utilizar con seguridad y mantener este cargador de baterías.

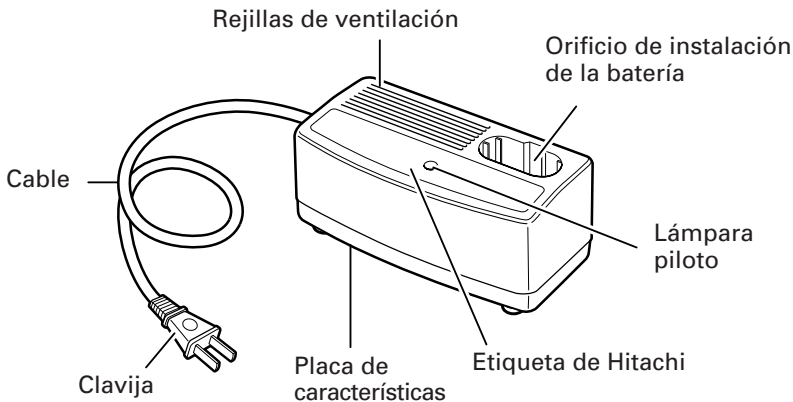
**NUNCA** haga funcionar ni efectúe el mantenimiento del cargador de baterías antes de leer y comprender todas las instrucciones de seguridad contenidas en este manual.

Algunas ilustraciones de este Manual de Instrucciones pueden mostrar detalles o accesorios diferentes a los del propio cargador de baterías.

## MODELO

UC14SD / UC18SD

## NOMENCLATURA



US14SD

Fig. 1

## ESPECIFICACIONES

Modelo	UC14SD	UC18SD
Fuente de alimentación de entrada	Monofásica: 120 V CA, 60 Hz	
Tiempo de carga	Aprox. 60 minutos (EB1414)	Aprox. 60 minutos (EB1812S)
Tensión de carga	14,4 V	18V
Corriente de carga	1,55 A	1,6A
Peso	3,5 libras (1,6 kg)	

## APLICACIONES

Para cargar baterías HITACHI tipos EB1414 (para UC14SD) y EB1812S (para UC18SD).

## MÉTODO DE CARGA

**NOTA:** Antes de enchufar el cargador en un tomacorriente, tenga en cuenta los puntos siguientes.

- La tensión de la fuente de alimentación está indicada en la placa de características.
- El cable no deberá estar dañado.

**⚠ ADVERTENCIA:** No cargue con una tensión superior a la indicada en la placa de características. Si cargase con una tensión superior a la indicada en la placa de características, el cargador se quemaría.

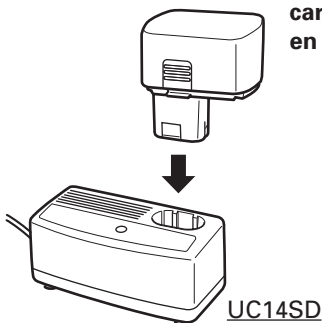


Fig. 2

1. Inserte la batería en el cargador de baterías. Inserte la batería en el cargador de baterías como se muestra en la Fig. 2. Cerciérese de que haya quedado en contacto con la base del cargador de baterías.
2. Inserte el enchufe del cargador de baterías en un tomacorriente.



**⚠ ADVERTENCIA:** No utilice el cargador si su cable está dañado. Haga que se lo reparen inmediatamente.

### 3. Carga

- Al insertar la clavija del cargador de batería en el enchufe se inicia la carga y se encenderá la lámpara piloto.

**NOTA:** Si la lámpara piloto no se enciende, desconecte el enchufe del tomacorriente y compruebe que la batería esté correctamente instalada.

- Cuando la batería esté completamente cargada después de aproximadamente una hora, se apagará la lámpara piloto.

**NOTA:** ○ El tiempo de carga de la batería disminuye a bajas temperaturas o cuando el voltaje de la fuente de alimentación es muy bajo.

Cuando la lámpara piloto no se apague a pesar de que hayan transcurrido más de cuatro horas desde que comenzó la carga, interrumpa la carga y póngase en contacto con el CENTRO DE SERVICIO AUTORIZADO DE HITACHI.

- El UC14SD es un cargador a utilizar exclusivamente con la batería EB1414. Evite utilizar este cargador para cargar baterías distintas de la EB1414. Aunque consiga insertar algunas baterías de 7,2V, 9,6V, 12V y 24V, iluminándose la lámpara piloto, tenga en cuenta que no se efectuará la carga.

- El UC18SD es un cargador para uso exclusivo de la batería EB1812S. Evite cargar otras baterías distintas de la batería EB1812S. Tenga en cuenta que si bien es posible insertar baterías de 7,2V, 9,6V, 12V o 24V en el cargador, produciendo la iluminación de la lámpara piloto, no se podrá realizar la carga.

Cuando se inserta una batería de 14,4V en este cargador, se iniciará la carga. No obstante, no realice tal acción pues se podrá dañar la batería y el cargador.

### 4. Desconecte el cargador de baterías del tomacorriente.

#### PRECAUCIÓN:

**No desconecte el cable del tomacorriente tirando del mismo.**

**Cerciórese de tirar del enchufe para desconectarlo del tomacorriente a fin de evitar dañar el cable.**

### 5. Extraiga la batería del cargador de baterías.

Sujetando el cargador de baterías con una mano, extraiga la batería del mismo.

#### **Descarga eléctrica en caso de baterías nuevas, etc.**

Como la substancia química interna de las baterías nuevas o las que no se hayan utilizado durante mucho tiempo no está activada, la descarga eléctrica puede ser inferior cuando se utilicen por primera y segunda vez. Este fenómeno es temporal, y el tiempo normal requerido para la recarga se restablecerá recargando las baterías 2 – 3 veces.

## Forma de hacer que las baterías duren más

- Recargue las baterías antes de que se hayan agotado completamente. Si siente que la potencia de la herramienta eléctrica se debilita, deje de utilizarla y recargue su batería. Si continuase utilizando la herramienta hasta agotar la capacidad de la batería, ésta podría dañarse y su duración útil podría acortarse.
- Evite realizar la recarga a altas temperaturas. Una batería se calentará inmediatamente después de haberla utilizado. Si recargase tal batería inmediatamente después de haberla utilizado, su substancia química interna se deterioraría, y la duración útil de la batería se acortaría. Deje la batería y recárguela después de que se haya enfriado durante cierto tiempo.

### PRECAUCIÓN:

- Si utiliza continuamente el cargador de baterías, éste se calentará, lo que puede causar averías. Después de haber finalizado la carga, espere 15 minutos antes de realizar la carga siguiente.
- Si recarga una batería que esté caliente debido al uso o por haber estado expuesta al sol, podría suceder que la lámpara piloto no se encienda. La batería no será recargada. En tal caso, déjela enfriar antes de cargarla.
- Si el cargador de batería no funciona aunque la batería esté correctamente insertada, es probable que la batería o que el cargador de baterías esté funcionando mal. Llévelos a un centro de reparaciones autorizado.

## ANTES DE LA UTILIZACIÓN

Compruebe el área de trabajo para cerciorarse de que esté libre de escombros y bien ordenada.

Despeje el área de personal innecesario. Cerciórese de que la iluminación y la ventilación sean adecuadas.

## MANTENIMIENTO E INSPECCIÓN

 **PRECAUCIÓN:** Extraiga la batería antes de realizar cualquier trabajo de inspección o de mantenimiento.

### 1. Comprobación de los tornillos

Los tornillos son peligrosos. Inspecciónelos regularmente y cerciódese de que estén bien apretados.

 **PRECAUCIÓN:** La utilización del cargador de baterías con tornillos flojos es extremadamente peligrosa.

### 2. Comprobación del polvo

El polvo podrá eliminarse con un paño suave y seco o ligeramente humedecido en agua jabonosa.

No utilice lejía, cloro, gasolina, ni diluidor de pintura, porque podrían dañar el plástico.

### 3. Lista de repuestos

#### PRECAUCIÓN:

**La reparación, modificación e inspección de las herramientas eléctricas Hitachi deben ser realizadas por un Centro de Servicio Autorizado de Hitachi.**

**Esta lista de repuestos será de utilidad si es presentada junto con la herramienta al Centro de Servicio Autorizado de Hitachi para solicitar la reparación o cualquier otro tipo de mantenimiento. En el manejo y el mantenimiento de las herramientas eléctricas, se deberán observar las normas y reglamentos vigentes en cada país.**

#### MODIFICACIONES:

Hitachi Power Tools introduce constantemente mejoras y modificaciones para incorporar los últimos avances tecnológicos.

Por consiguiente, algunas partes (por ejemplo, números de códigos y/o diseño) pueden ser modificadas sin previo aviso.

---

## ALMACENAMIENTO

Guarde la herramienta en un lugar con menos de 104°F (40°C) y fuera del alcance de niños.

---

## SERVICIO Y REPARACIONES

Todas las herramientas eléctricas de calidad requieren de vez en cuando el servicio de mantenimiento o el reemplazo de piezas debido al desgaste producido durante la utilización normal. Para asegurarse de que solamente se utilicen piezas de reemplazo autorizadas, todos los servicios de mantenimiento y reparación deberán realizarse **SOLAMENTE EN UN CENTRO DE REPARACIONES AUTORIZADO POR HITACHI.**

**NOTA:** Las especificaciones están sujetas a cambio sin ninguna obligación por parte de HITACHI.

# UC14SD

## English

- A: Item No.
- B: Code No.
- C: No. Used
- D: Remarks

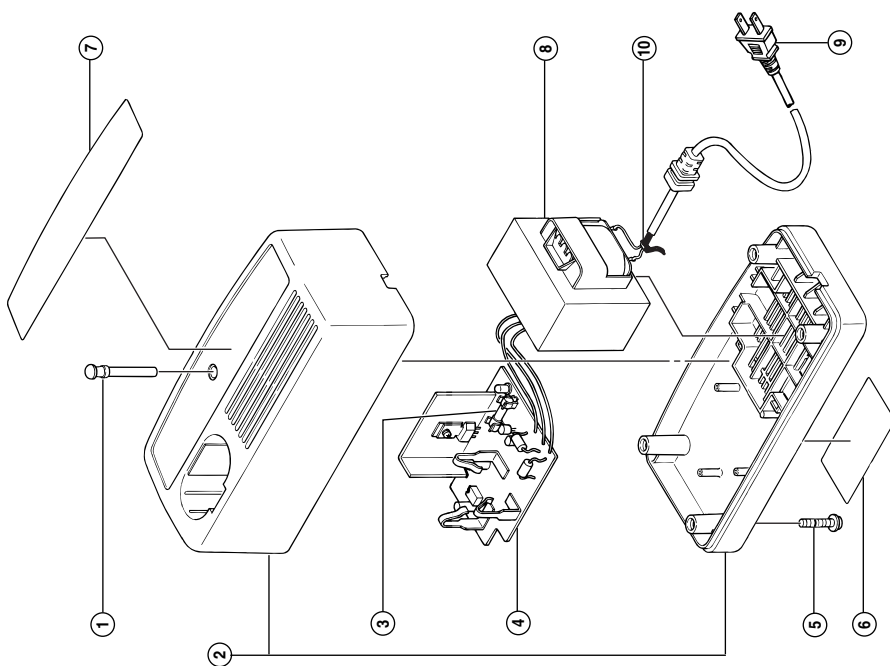
## Français

- A: No. élément
- B: No. code
- C: No. utilisé
- D: Remarques

## Español

- A: N.º ítem
- B: N.º código
- C: N.º usado
- D: Observaciones

A	B	C	D
1	318-258	1	
2	320-654	1	
3	320-682	1	6.3A/250V
4	320-659	1	
5	994-806	4	D4×20
6	_____	1	
7	_____	1	
8	320-655	1	120V
9	318-259	1	





Please contact HITACHI KOKI U.S.A. LTD. at 1-800-59-TOOLS (toll free), or HITACHI AUTHORIZED POWER TOOL SERVICE CENTER regarding COLLECTION.



Pour le RAMASSAGE, contacter HITACHI KOKI U.S.A. LTD. au 1-800-59-TOOLS (appel gratuit), ou UN SERVICE APRES-VENTE D'OUTILS ELECTRIQUE AGREE PAR HITACHI.



Con respecto a la RECOLECCIÓN de baterías, póngase en contacto con HITACHI KOKI U.S.A. LTD. número 1-800-59-TOOLS (llamada gratis), o con HITACHI AUTHORIZED POWER TOOL SERVICE CENTER.

Issued by



**Hitachi Koki Co., Ltd.**

Shinagawa Intercity Tower A, 15-1, Konan 2-chome,  
Minato-ku, Tokyo 108-6020, Japan

Distributed by



**Hitachi Koki U.S.A., Ltd.**

3950 Steve Reynolds Blvd.  
Norcross, GA 30093



**Hitachi Koki Canada Co.**

6395 Kestrel Road  
Mississauga ON L5T 1Z5



## Free Manuals Download Website

<http://myh66.com>

<http://usermanuals.us>

<http://www.somanuals.com>

<http://www.4manuals.cc>

<http://www.manual-lib.com>

<http://www.404manual.com>

<http://www.luxmanual.com>

<http://aubethermostatmanual.com>

Golf course search by state

<http://golfingnear.com>

Email search by domain

<http://emailbydomain.com>

Auto manuals search

<http://auto.somanuals.com>

TV manuals search

<http://tv.somanuals.com>