

Operating Instructions



In Focus
Systems, Inc.

**Professional
Overhead
Projector**

OverView[®]

410P

High Output
Overhead
Projector

InFocus[®]
S Y S T E M S

IMPORTANT SAFETY INSTRUCTIONS

When using your overhead projector, basic safety precautions should always be followed, including the following:

1. Read and understand all instructions before using.
2. Close supervision is necessary when any projector is used by or near children. Do not leave projector unattended while in use.
3. Care must be taken as burns can occur from touching hot parts.
4. Do not operate projector with a damaged cord or if the projector has been dropped or damaged – until it has been examined by a qualified serviceman.
5. Position the cord so that it will not be tripped over, be pulled or contact hot surfaces.
6. If an extension cord is necessary, a cord with a current rating at least equal to that of the projector should be used. Cords rated for less amperage than the projector may overheat.
7. Always unplug projector from electrical outlet before cleaning and servicing and when not in use. Never yank cord to pull plug from outlet. Grasp plug and pull to disconnect.
8. Let projector cool completely before putting away.
9. To protect against the risk of electric shock, do not immerse this projector in water or other liquids.
10. To avoid the risk of electric shock, do not disassemble this projector, but take it to a qualified serviceman when some service or repair work is required. Incorrect reassembly can cause electric shock when the projector is used subsequently.
11. The use of accessory attachment not recommended by the manufacturer may cause a risk of fire, electric shock or injury to persons.
12. Connect this projector to a grounded outlet.
13. Disconnect this unit from its source of supply before replacing the projection lamp.

Additional lamp safeguards: never handle lamps with bare fingers; periodically inspect lamps, when they're turned off, for signs of blistering or blackening; insure proper action of the cooling system; turn off the projector immediately if the image becomes abnormally dim; never operate a projector with the lamp housing open; and make sure that the lamp itself is properly seated.

SAVE THESE INSTRUCTIONS

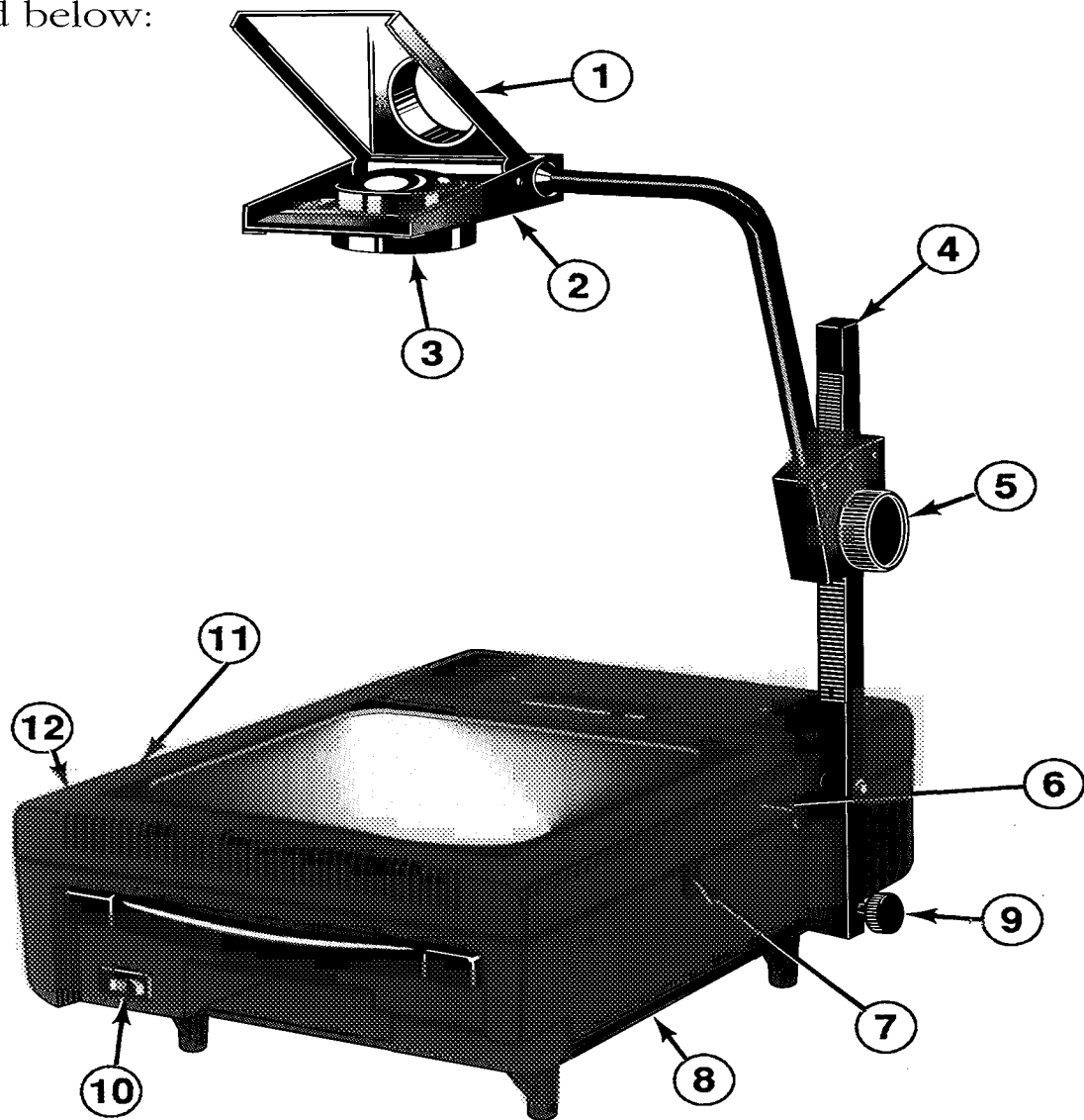
TABLE OF CONTENTS

Page

1	PRODUCT FEATURES	1
2	SPECIFICATIONS	3
3	GENERAL DESCRIPTION	3
4	SETUP	4
5	OPERATION	4
6	CARE IN USE	5
	6.1 Maintenance	5
	6.2 Lamp Replacement	5
	6.3 Information On Lamp Warranty	6
7	SERVICING	6
	7.1 Shipping Information	6
	7.2 Service	6
	7.3 No Charge Warranty Repair	6
8	ELECTRICAL SAFETY GROUNDING INSTRUCTIONS	7

1 – PRODUCT FEATURES

A number of terms are used frequently in this instruction booklet. The OVERHEAD PROJECTOR will be easier to operate if you become familiar with the terms and their respective features for the functional parts listed below:



1. Mirror; used to direct projected image

2. Lens Head

3. 317 mm lens

4. Mast; rack & pinion focusing mechanism

5. Focus Knob; turn to focus projected image

6. Stage; place presentation media to be projected on stage

7. Stage Latch; release for lamp replacement and cleaning

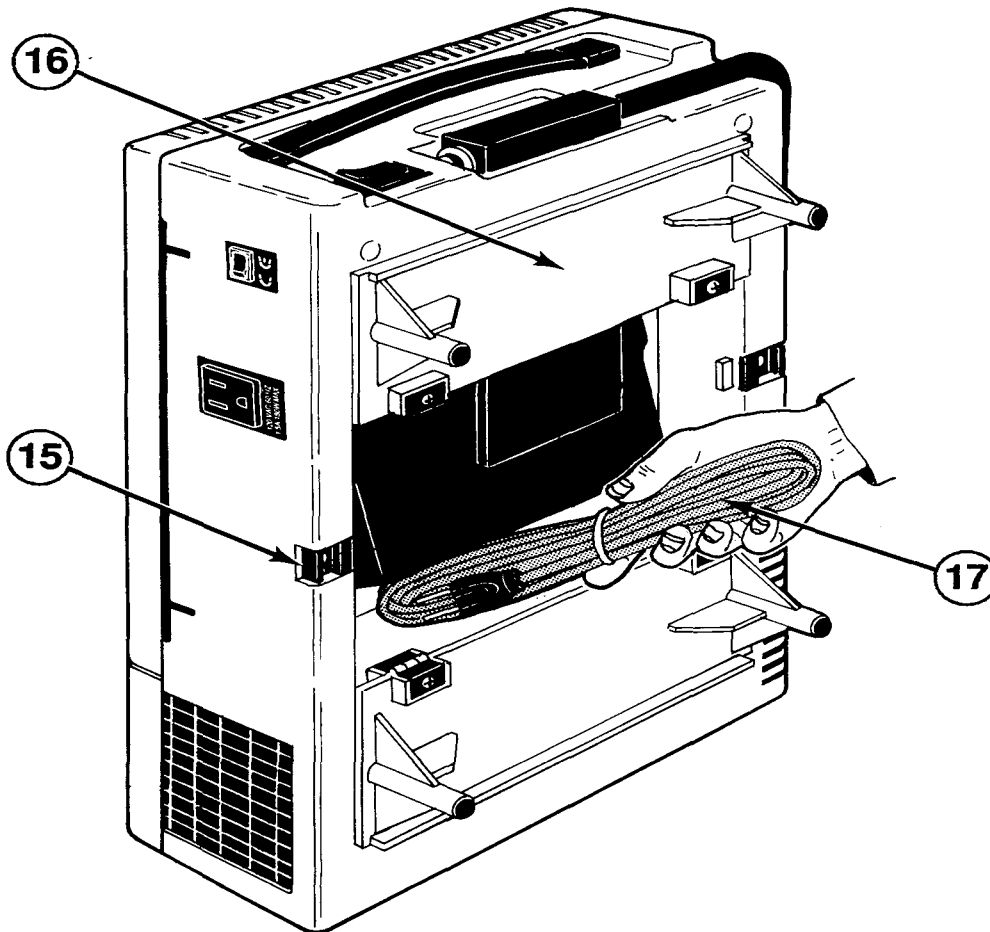
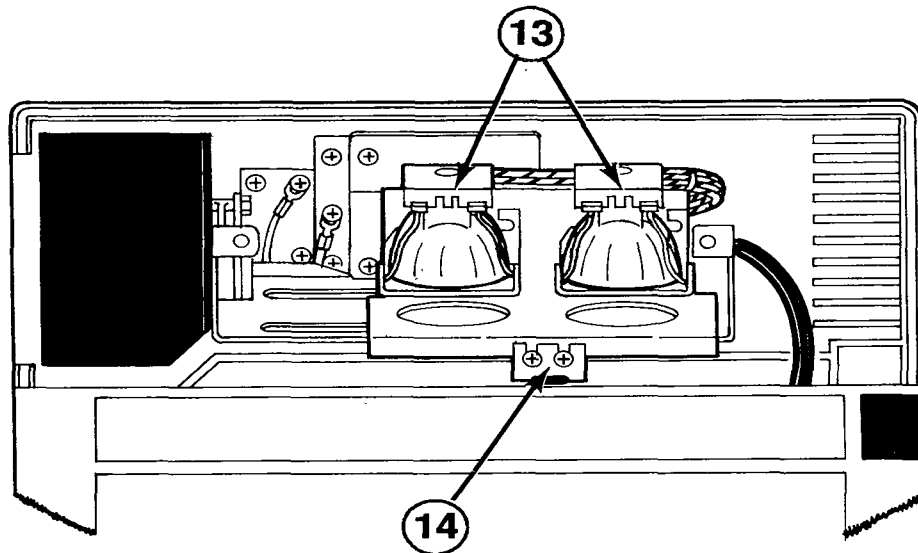
8. Base

9. Locking Knob; release for fold-away design

10. Power Switch

11. Lighted High/Low Switch; lighted for high mode (4000 lumens), low mode (3200 lumens)

12. 120 V AC Outlet; for use with LCD panel connection



13. Lamp Ejection Lever; release for bulb replacement
14. Lamp Changer Lever; slide for replacement lamp

15. Door Latch (one each side); for cord storage
16. Door/Leg Assembly; close for foldaway design
17. Power Cord

2 – SPECIFICATIONS

Dimensions	5" H x 13" W x 17.5" D (Folded) 32" H x 13" W x 17.5" D (Opened)
Aperture	10" x 10" (254mm x 254mm)
Lens	Three Element, 317mm
Lamp	410 W, FXL (82 V)
Elevation	Up to 30 Degrees
Focus	Rack and Pinion
Power	120V, 60Hz, 7.0A
Power Cord	3-Wire Grounded, 10 Ft.
Safety Interlock	Cuts Off Power When Unit Is Open
Weight	17 Lbs.

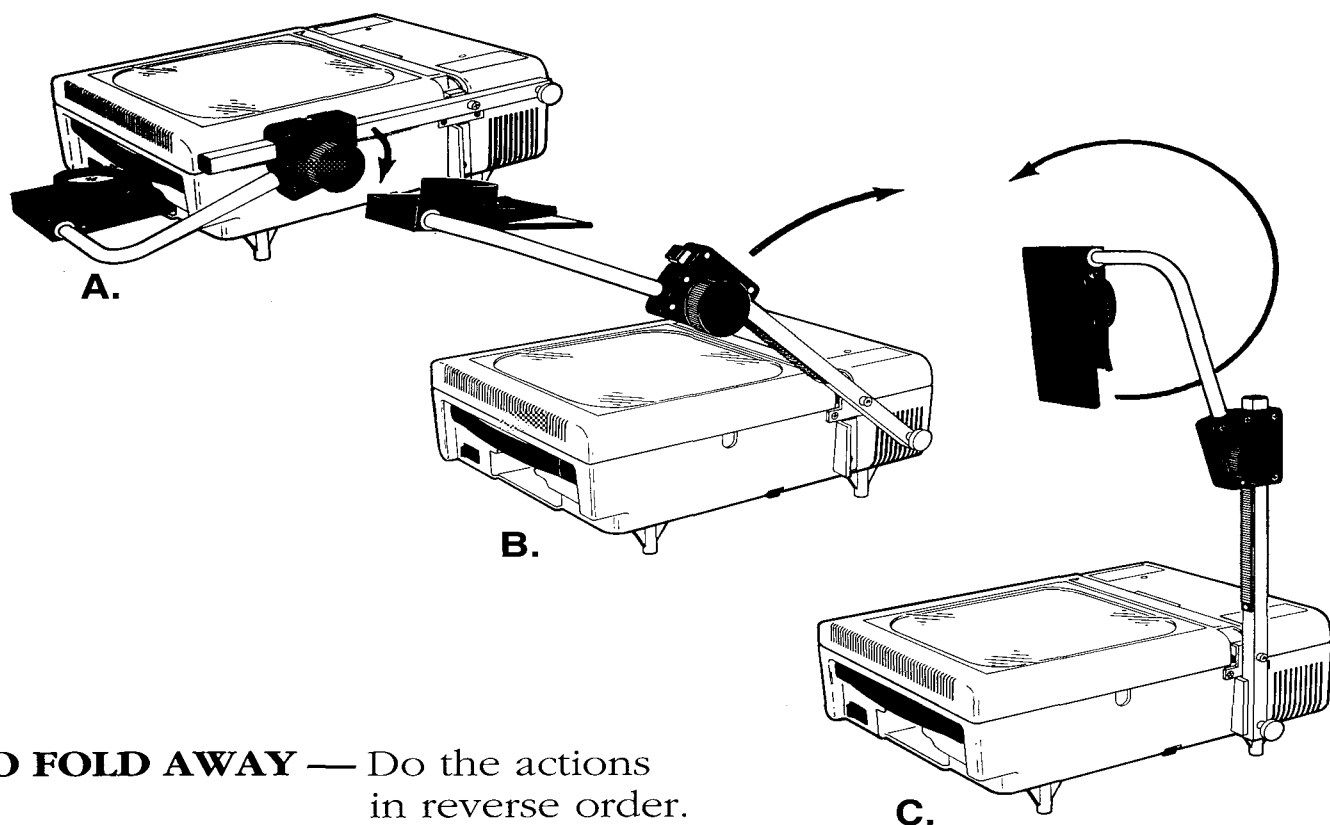
3 – GENERAL DESCRIPTION

This Overhead Projector is a transmissive (lamp under stage) projector designed to project material on transparencies and LCD panels for audience viewing. The high performance 317 mm lens is specially designed for clean and crisp focusing in the corners of the projection. It is especially suited for projecting small text, as with the high resolution LCD panels from In Focus Systems.

Your projector is designed to incorporate rugged simplicity with easy-to-use efficient operation. With a minimum of routine care and maintenance, it will provide you with dependable service.

4 - SETUP

1. Set unit on projection table in the vertical position (handle up).
2. Slide bottom door latches out and swing both doors around to magnet latches (see page 2).
3. Remove all of the power cord, then tip unit over to rest on its legs.
4. Turn focus knob clockwise until it stops at the end of the mast (Fig. A).
5. Rotate the mast up until it stops (Fig. B and C).
6. Push in the mast locking knob and tighten (Fig. C).
7. Rotate the lens assembly counterclockwise to the working position. Open the mirror and focus image (Fig. C).



TO FOLD AWAY — Do the actions in reverse order.

5 - OPERATION

Place the projector on a stable surface that is desk or table height. Be sure the side vents are not blocked. Plug the power cord into a properly rated power source. Press the power switch to the ON position. Place a LCD panel or transparency on the stage and focus the image. Keystone can be minimized by adjusting the mirror up or down on the lens. The lamp changer can be used to switch to a reserve lamp should the primary lamp fail during a presentation. Simply slide the lamp changing lever towards the side labeled "SPARE 2."

6- CARE IN USE

6.1 Maintenance

To clean fresnel, cover glass and mirror.

1. Press stage catch.
2. Lift and swing stage over.
3. Remove fresnel (4 screws) as shown below.
4. Clean with dry, lint-free cloth.

6.2 Lamp Replacement

CAUTION: Glass components may shatter. Cover glass parts with cloth. Protect eyes. Handle carefully.

Allow the lamp to cool before removing it.

Your projector uses:
410W, FXL, 82V.

TO REMOVE:

1. Remove the defective lamp by pulling up and pushing back the lamp ejection lever.
2. Before inserting a new lamp, move the ejection lever back to its original position.
3. Avoid touching the new lamp — oily skin can cause discoloration of the lamp capsule or reflector.
4. Push lamp down into socket until firmly seated with the reflector lined up with the aperture.

6.3 Information On Lamp Warranty

Projection lamps are warranted by the lamp manufacturer and not by the equipment manufacturer. If you have a lamp which you believe to be defective, contact the manufacturer of that particular lamp for the appropriate warranty replacement.

General Electric Company
1501 South 19th Street
Mattoon, IL 61938

7- SERVICING

7.1 Shipping Information

If it becomes necessary to return a unit, please use the original packing material or pack securely to insure safe shipment.

7.2 Service

Service and parts are available from the manufacturer or an approved service station. Please contact your dealer or In Focus Systems customer support for further information on service and repair.

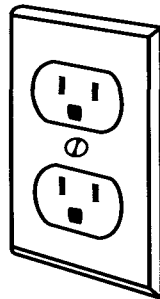
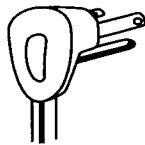
7.3 No Charge Warranty Repair

Please contact In Focus Systems customer service regarding warranty repair at 1-800-327-7231. Proof of purchase and date of purchase are required for warranty service.

8 – ELECTRICAL SAFETY GROUNDING INSTRUCTIONS

The power cords used on the Overview 410P are equipped with a three-prong, ground-type plug for your safety. Whenever a two-prong receptacle is encountered, we strongly recommend that it be replaced with a properly grounded three-prong receptacle by a qualified electrician in accordance with the National Electrical Code and local codes and ordinances. See Figure A.

**THREE-PRONG
GROUNDING PLUG
POWER SUPPLY CORD**



**APPROVED
GROUNDING TYPE
WALL RECEPTACLES
PASS & SEYMOUR
NO. 5261 OR
BRYANT NO. 5261
(NEMA NO. 5-15R)
OR EQUIVALENT**

FIGURE A
120 Volt Grounded Plug and Adaptor

For your safety and for the safety of others, **if there is any question** as to whether or not the receptacle is properly grounded, **have it checked** by a qualified electrician.

Do not cut off the power cord grounding prong or alter the plug in any way.

Do not use a two-wire extension cord with this product. When it is necessary to use an extension cord, be sure that it is a **three-wire** cord, that it is in good condition, and that it is large enough to do the job safely and efficiently. It, too, must be plugged into a grounded receptacle.

If changing the wall receptacle to an approved grounding type is not possible, and where local codes permit, an adaptor may be used to connect the three-prong grounding plug to a two-prong receptacle.

However, the green **pigtail must be connected to ground**. If the receptacle is grounded, the pigtail may be connected to the receptacle. If the receptacle is not grounded, connect a separate #18 gauge ground wire from the receptacle nearest available effectively grounded metal pipe or equivalent grounding electrode. See Figure B.

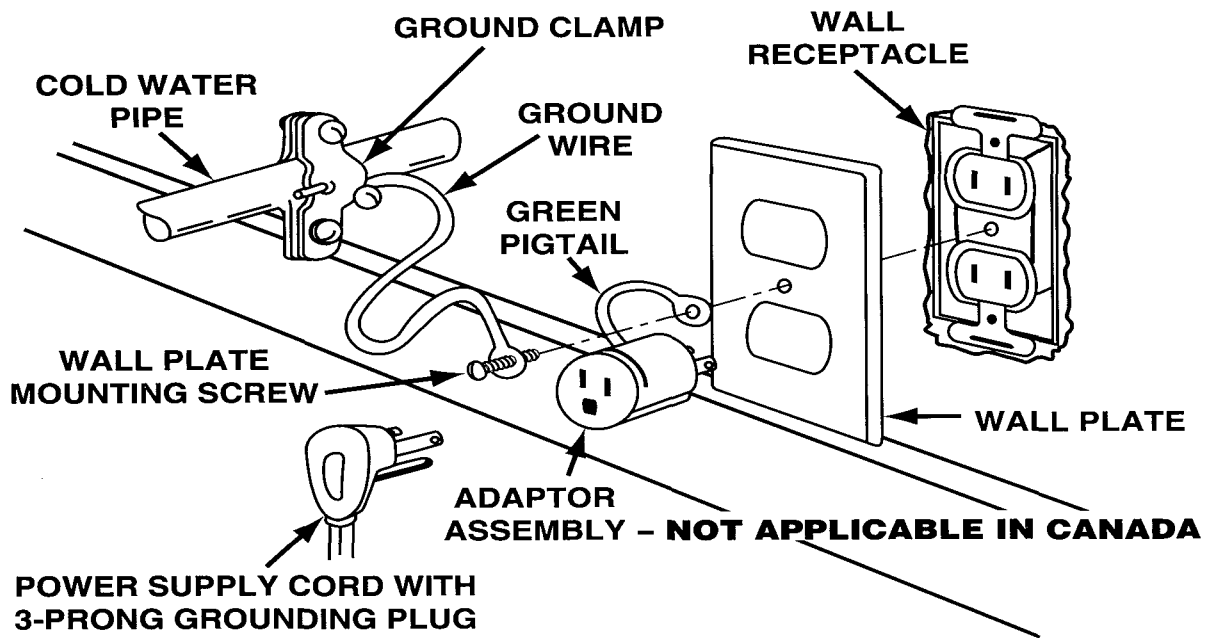


FIGURE B
120 Volt Grounded Adaptor

LIMITED WARRANTY

In Focus Systems Inc. ("In Focus") warrants that each Overview ("the Product") sold hereunder will conform to and function in accordance with the written specifications of In Focus. Said limited warranty shall apply only to the first person or entity that purchases the Product for personal or business use and not for the purpose of distribution or resale. Said warranty shall continue for a period of one (1) year from the date of such purchase. In Focus does not warrant that the Product will meet the specific requirements of the first person or entity that purchases the Product for personal or business use.

In Focus' liability for the breach of the foregoing limited warranty is limited to the repair or replacement of the Product or refund of the purchase price of the Product, at In Focus' sole option. To exercise the Purchaser's rights under the foregoing warranty, the Product must be returned at the Purchaser's sole cost and expense, to In Focus or to any authorized In Focus service center provided, however, that the Product must be accompanied by a written letter explaining the problem and which includes (i) proof of date of purchase; (ii) the dealer's name; and (iii) the model and serial number of the Product. A return authorization number, issued by the In Focus customer service department, must also be clearly displayed on the outside of the shipping carton containing the Product.

WARRANTY LIMITATION AND EXCLUSION

In Focus shall have no further obligation under the foregoing limited warranty if the Product has been damaged due to abuse, misuse, neglect, accident, unusual physical or electrical stress, unauthorized modifications, tampering, alterations, or service other than by In Focus or its authorized agents, causes other than from ordinary use or failure to properly use the Product in the application for which said Product is intended.

DISCLAIMER OR UNSTATED WARRANTIES

THE WARRANTY PRINTED ABOVE IS THE ONLY WARRANTY APPLICABLE TO THIS PURCHASE. ALL OTHER WARRANTIES, EXPRESS OR IMPLIED, INCLUDING, BUT NOT LIMITED TO, THE IMPLIED WARRANTIES OF MERCHANTABILITY AND FITNESS FOR A PARTICULAR PURPOSE ARE DISCLAIMED. THERE ARE NO WARRANTIES THAT EXTEND BEYOND THE FACE HEREOF AND THE FOREGOING WARRANTY SHALL NOT BE EXTENDED, ALTERED OR VARIED EXCEPT BY WRITTEN INSTRUMENT SIGNED BY IN FOCUS.

LIMITATION OF LIABILITY

IT IS UNDERSTOOD AND AGREED THAT IN FOCUS' LIABILITY WHETHER IN CONTRACT, IN TORT, UNDER ANY WARRANTY, IN NEGLIGENCE OR OTHERWISE SHALL NOT EXCEED THE RETURN OF THE AMOUNT OF THE PURCHASE PRICE PAID BY PURCHASER AND UNDER NO CIRCUMSTANCES SHALL IN FOCUS BE LIABLE FOR SPECIAL, INDIRECT OR CONSEQUENTIAL DAMAGES. THE PRICE STATED FOR THE PRODUCT IS A CONSIDERATION IN LIMITING IN FOCUS' LIABILITY. NO ACTION, REGARDLESS OF FORM, ARISING OUT OF THE AGREEMENT TO PURCHASE THE PRODUCT MAY BE BROUGHT BY PURCHASER MORE THAN ONE YEAR AFTER THE CAUSE OF ACTION HAS ACCRUED.

In Focus Systems, Inc.
7770 SW Mohawk Street
Tualatin, OR 97062
1-800-327-7231
503-692-4968
FAX 503-692-4476

InFocus[®]
S Y S T E M S

401-524

Free Manuals Download Website

<http://myh66.com>

<http://usermanuals.us>

<http://www.somanuals.com>

<http://www.4manuals.cc>

<http://www.manual-lib.com>

<http://www.404manual.com>

<http://www.luxmanual.com>

<http://aubethermostatmanual.com>

Golf course search by state

<http://golfingnear.com>

Email search by domain

<http://emailbydomain.com>

Auto manuals search

<http://auto.somanuals.com>

TV manuals search

<http://tv.somanuals.com>