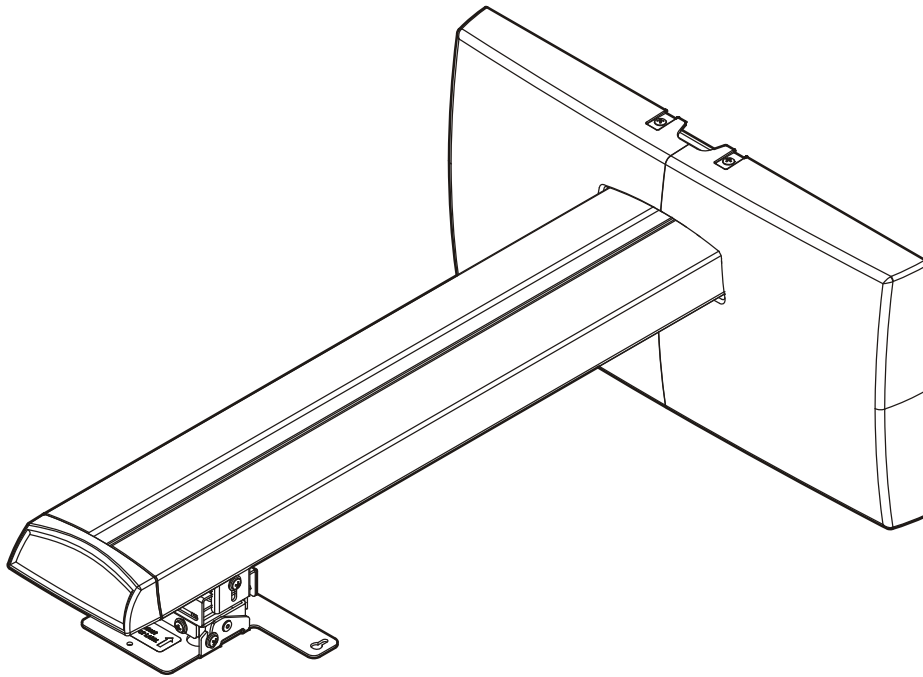

INSTALLATION INSTRUCTIONS



Short Throw Wall Mount

InFocus

PRJ-WALLKIT-13

DISCLAIMER

InFocus and its affiliated corporations and subsidiaries (collectively "InFocus"), intend to make this manual accurate and complete. However, InFocus makes no claim that the information contained herein covers all details, conditions or variations, nor does it provide for every possible contingency in connection with the installation or use of this product. The information contained in this document is subject to change without notice or obligation of any kind. InFocus makes no representation of warranty, expressed or implied, regarding the information contained herein. InFocus assumes no responsibility for accuracy, completeness or sufficiency of the information contained in this document.



IMPORTANT SAFETY INSTRUCTIONS



WARNING: A WARNING alerts you to the possibility of serious injury or death if you do not follow the instructions.



CAUTION: A CAUTION alerts you to the possibility of damage or destruction of equipment if you do not follow the corresponding instructions.



WARNING: Failure to read, thoroughly understand, and follow all instructions can result in serious personal injury, damage to equipment, or voiding of factory warranty! It is the installer's responsibility to make sure all components are properly assembled and installed using the instructions provided.



WARNING: Failure to provide adequate structural strength for this component can result in serious personal injury or damage to equipment! It is the installer's responsibility to make sure the structure to which this component is attached can support five times the combined weight of all equipment. Reinforce the structure as required before installing the component. The wall to which the mount is being attached may have a maximum drywall thickness of 5/8" (1.6cm) for wood stud installation, and 1/2" (1.3cm) minimum for steel stud installation.



WARNING: Exceeding the weight capacity can result in serious personal injury or damage to equipment! It is the installer's responsibility to make sure the weight of the projector does not exceed 25 lbs (11.3 kg).



WARNING: Use this mounting system only for its intended use as described in these instructions. Do not use attachments not recommended by the manufacturer.



WARNING: Never operate this mounting system if it is damaged. Return the mounting system to a service center for examination and repair.















WARNING: Do not use this product outdoors.

IMPORTANT ! : The PRJ-WALLKIT-13 short throw projector mount is designed to be mounted to:

- an 8" thick bare concrete wall;
- an 8"x8"x16" bare concrete block wall;
- a 2"x4" wood stud (16" on center) wall covered with drywall of 5/8" maximum thickness; or
- a steel stud (16" on center) wall covered with drywall of 1/2" minimum thickness.

--SAVE THESE INSTRUCTIONS--

LEGEND

	Tighten Fastener			Pencil Mark	
	Apretar elemento de fijación	留め具を締める		Marcar con lápiz	鉛筆で印を付ける
	Befestigungsteil festziehen	上紧紧固件		Stiftmarkierung	鉛筆标记
	Serrez les fixations	旋緊扣件		Marquage au crayon	鉛筆標記
	Serrare il fissaggio	패스너 조이기		Segno a matita	연필 표시
	Apertar fixador	ตึงสายรัดให้แน่น		Marcar com lápis	ดินสอทำเครื่องหมาย
	Loosen Fastener			Drill Hole	
	Afajar elemento de fijación	留め具を緩める		Perforar	ドリルで穴を開ける
	Befestigungsteil lösen	松开紧固件		Bohrloch	钻孔
	Desserrez les fixations	鬆開扣件		Percez un trou	鑽孔
	Allentare il fissaggio	패스너 풀기		Praticare un foro	드릴 구멍
	Soltar fixador	คลายสายรัดให้หลวม		Perfurar	เจาะรู
	Phillips Screwdriver			Adjust	
	Destornillador Phillips	プラスドライバー		Ajustar	調節する
	Kreuzschlitzschraubendreher	十字螺丝刀		Einstellen	调节
	Tournevis à pointe cruciforme	十字螺絲起子		Ajuster	調整
	Cacciavite a stella	십자 나사드라이버		Regolare	조정
	Chave de fendas Phillips	ไขควงปากแฉก		Regular	ปรับ
	Open-Ended Wrench			Hex-Head Wrench	
	Llave de boca	スパナ		Llave de cabeza hexagonal	六角レンチ
	Gabelschlüssel	开口扳手		Sechskantschlüssel	六头扳手
	Clé à fourche	雙頭扳手		Clé à tête hexagonale	六角扳手
	Chiave a punta aperte	양입 렌치		Chiave esagonale	육각 렌치
	Chave de porcas aberta	ประแจปากตาย		Chave sextavada	ประแจหัวหกเหลี่ยม
	By Hand			Socket Wrench	
	A mano	手で行う		Llave de cubo	ソケットレンチ
	Von Hand	手动		Steckschlüssel	套筒扳手
	À la main	以手操作		Clé à douilles	套筒扳手
	A mano	손으로		Chiave a brugola	소켓 렌치
	À mão	ด้วยมือ		Chave de tubos	ประแจกระบอก
	Hammer			Measure	
	Martillo	ハンマー		Medir	メジャー
	Hammer	锤子		Messen	測量
	Marteau	鐵鎚		Mesurer	測量
	Martello	망치		Misura	줄자
	Martelo	ค้อน		Medir	วัด

TOOLS REQUIRED FOR INSTALLATION

1/2" - steel stud
3/8" / 5/16" - concrete
7/32" - wood stud

5/32" (included)

Hardware required, NOT INCLUDED:

Steel Stud Install

- 4 - Toggler® 1/4-20 (BB) Snap-Toggle
- 4 - Grade 2 or better 1/4-20 x 1-3/4" Phillips pan head screws
- 4 - Grade 2 or better 1/4" washer

Concrete Install

- 4 - Fischer UX 10 x 60 anchors [P/N 077871], OR
- Toggler A8/AF8 anchors

Wood Stud Install and Concrete Install

- 4 - Grade 2 or better 5/16 x 2-1/2" hex head lag screws
- 4 - Grade 2 or better 5/16" washers

PARTS

A (1)
[Short throw projector arm]

B (1)
[Wall plate]

C (1)
[Arm adjust plate]

D (1)
[End cap]

E (1)
[Wall cover - right]

F (1)
[Wall cover - left]

G (2)
[Dual stud bracket]

H (1) [Hardware kit]

HA (4)
M4 x 8mm
[one not used]

HB (4)
10-24 x 5/8"

HC (1)
5/32"

HD (2)
1/4-20 x 3/4"

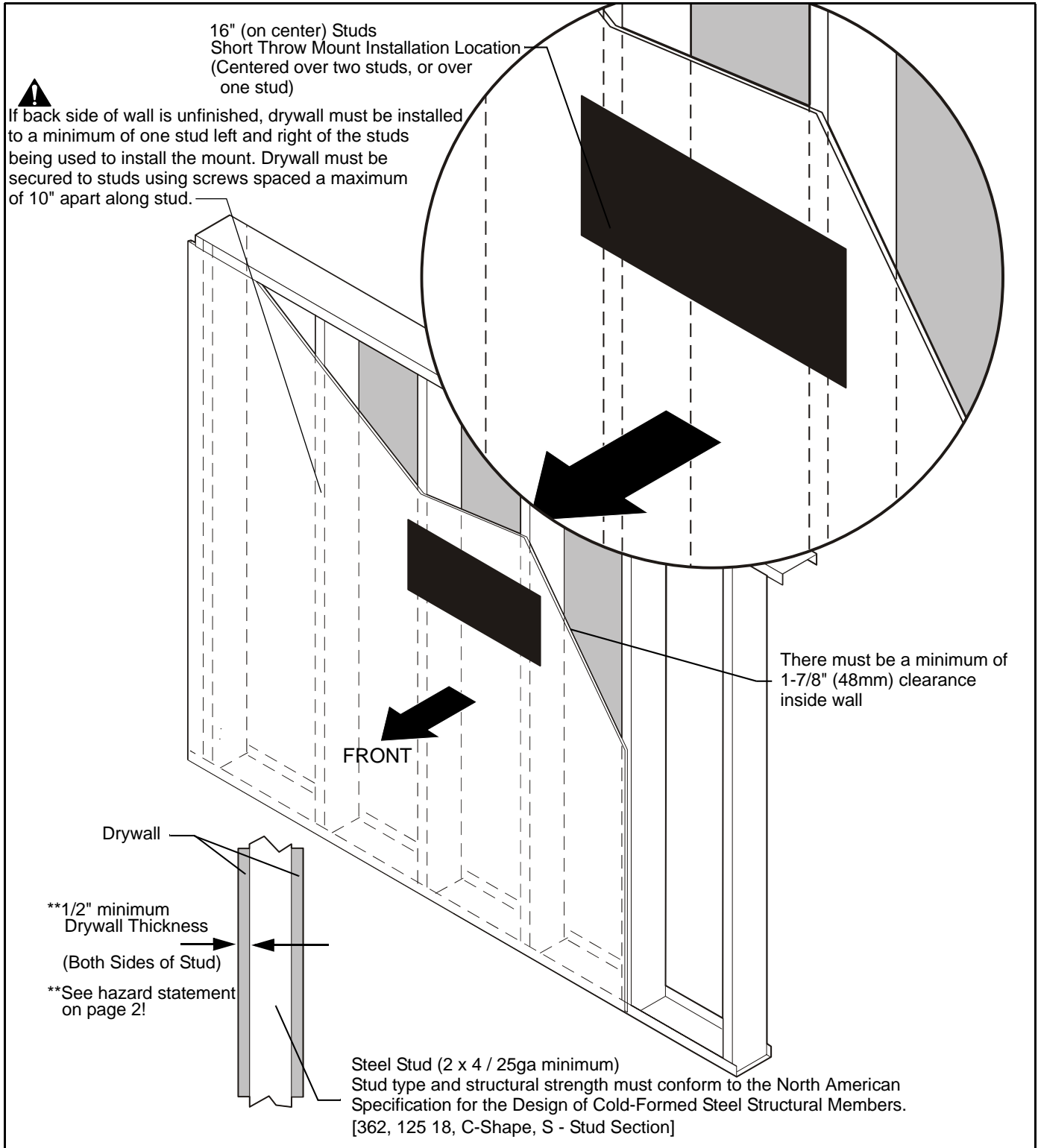
HE (1)
1/4-20 x 1-1/4"

HF (4)
5/16"

Site Requirements



WARNING: IMPROPER INSTALLATION CAN LEAD TO EQUIPMENT FALLING CAUSING SERIOUS PERSONAL INJURY OR DAMAGE TO EQUIPMENT! The figure below identifies the minimum requirements for installation of mount onto a steel stud structure. If the structure or its components do not meet these requirements contact the mount manufacturer for specific instructions before attempting installation. It should also be noted that no other equipment should be mounted to the same stud.



ASSEMBLY AND INSTALLATION

The PRJ-WALLKIT-13 short throw projector mount is designed to be mounted to solid concrete, hollow concrete block, 2" x 4" wood studs (16" on center), or steel studs (16" on center).

Assembling Wall Plate to Brackets

IMPORTANT ! : This step must be taken for **BOTH** single **AND** dual stud installations!

1. Attach wall plate (B) to two dual stud brackets (G) using four 5/16" lock nuts (HF). (See Figure 1)

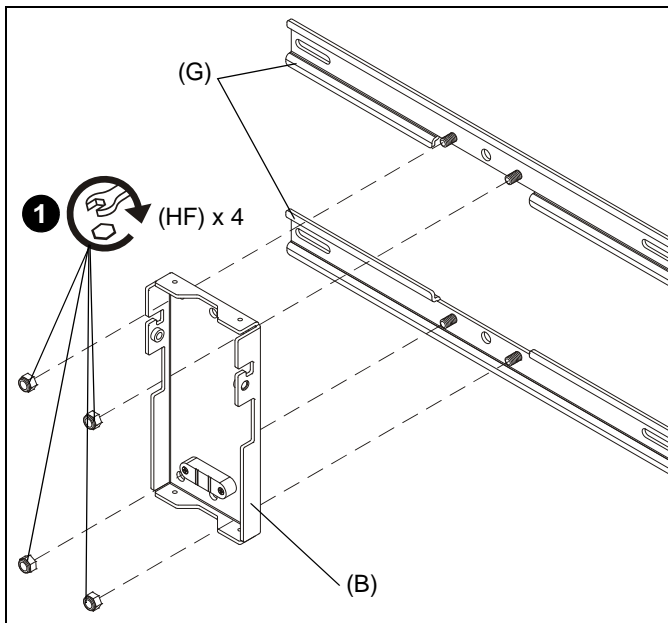


Figure 1

NOTE: Proceed to the **Concrete or Concrete Block, Wood Studs** or **Steel Studs** section, as appropriate for installation.

Concrete or Concrete Block

1. Using wall plate/bracket assembly, mark four mounting holes (dual stud), or two mounting holes (single stud) in wall plate. (See Figure 2)
2. Drill one 3/8" hole at one of the marked locations in wall. (See Figure 2)
3. Install either one Fischer UX 10 x 60 anchor [Part number 077871] (not included) or one Hilti HUD-L 10x70 anchor (not included) into one of the drilled holes. (See Figure 2)
4. Install one Grade 2 or better 5/16 x 2-1/2" hex head lag screw (not included) through one Grade 2 or better 5/16" washer (not included), one mounting hole in wall bracket and into one Fischer or Hilti anchor (not included). (See Figure 2)
5. Level wall bracket using attached bubble level.
6. Make any necessary corrections to remaining mounting hole marking(s).
7. Repeat Steps 2 through 4 for remaining mounting hole(s).

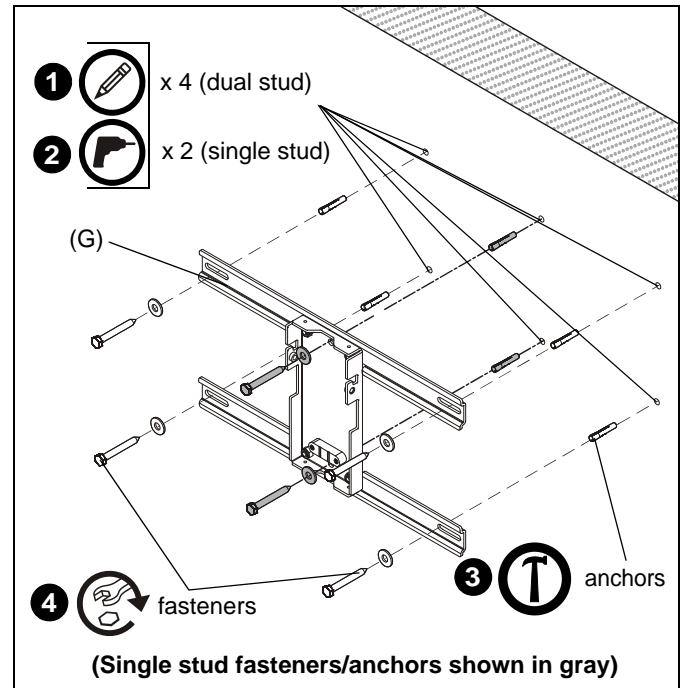


Figure 2

NOTE: Proceed to **Installing Short Throw Projector Arm to Bracket** section to continue installation.

Wood Studs

1. Using a stud finder and wall plate/bracket assembly, mark four preliminary mounting holes (dual stud) over center of wood studs, or two mounting holes (single stud) in wall plate. (See Figure 3)
2. Drill one 7/32" hole at marked location in wall. (See Figure 3)
3. Install one Grade 2 or better 5/16 x 2-1/2" hex head lag screw (not included) through one Grade 2 or better 5/16" washer (not included), hole in wall bracket and into drilled hole. (See Figure 3)

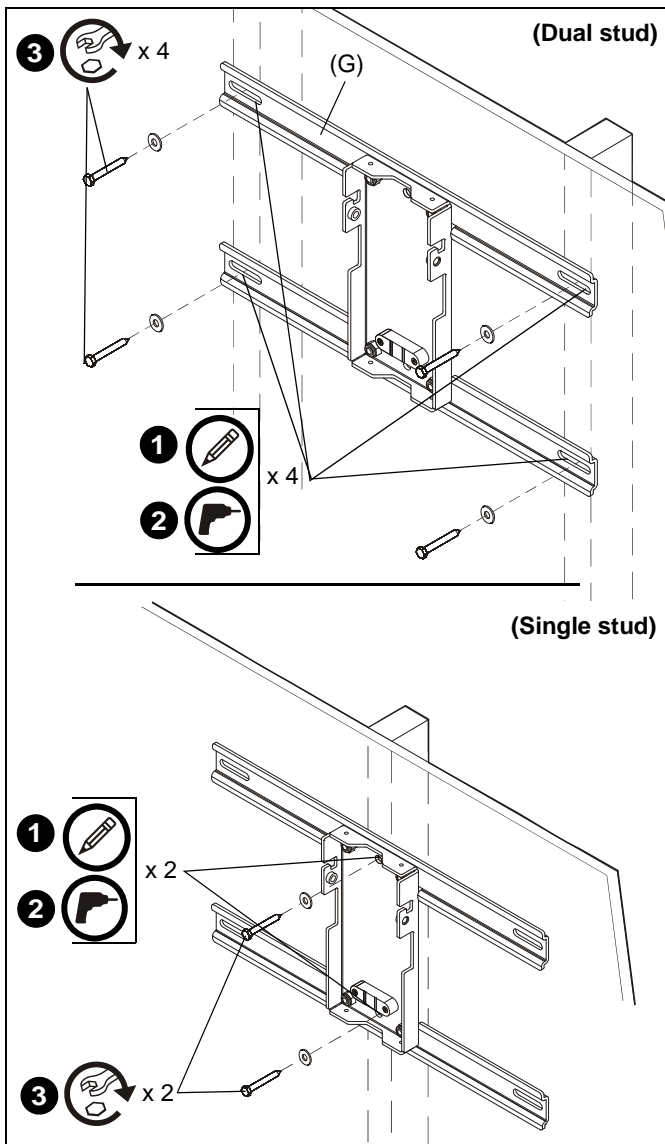


Figure 3

4. Level wall bracket using attached bubble level.
5. Make any necessary corrections to remaining mounting hole marking(s).
6. Repeat Steps 2 and 3 for remaining mounting hole(s).

NOTE: Proceed to **Installing Short Throw Projector Arm to Bracket** section to continue installation.

Steel Studs

IMPORTANT ! : See **Site Requirements** section before proceeding with Steel Studs installation to ensure installation site meets requirements! The drywall must have a minimum thickness of 1/2"!

1. Using a stud finder and wall plate/bracket assembly, mark four preliminary mounting holes over center of steel studs, or two mounting holes (single stud) in wall plate. (See Figure 4)
2. Drill one 1/2" hole at marked location on wall. (See Figure 4)

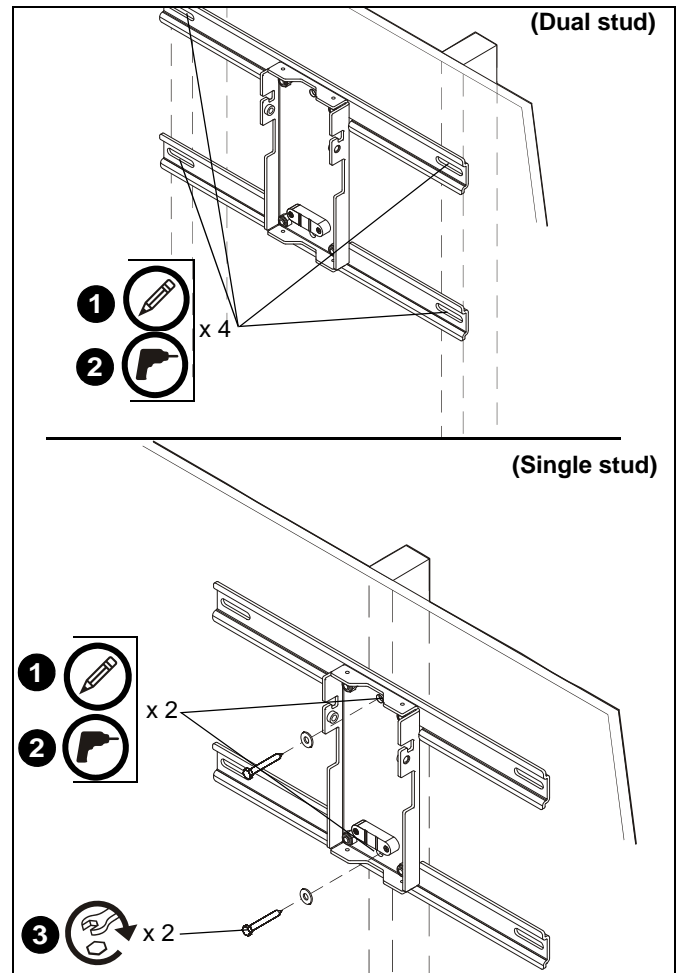


Figure 4

3. Hold metal channel on Toggler® 1/4-20 (BB) Snap-Toggle (not included) flat alongside plastic straps and slide channel through hole. (See Figure 5)

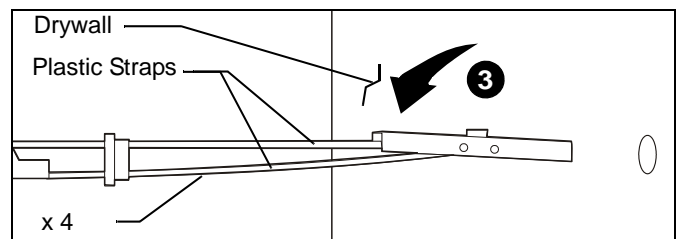


Figure 5

4. Holding plastic straps on anchor, pull anchor away from wall until channel rests flush behind wall making sure anchor channel is positioned vertically on stud. (See Figure 6)
5. Slide plastic cap on anchor towards wall until flange of cap is flush with wall. (See Figure 6)

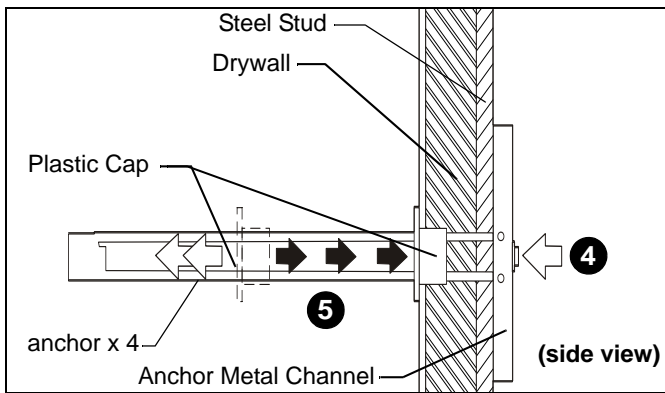


Figure 6

6. Snap off plastic straps on anchor at wall by pushing side to side, snapping off straps level with flange of plastic cap. (See Figure 7)

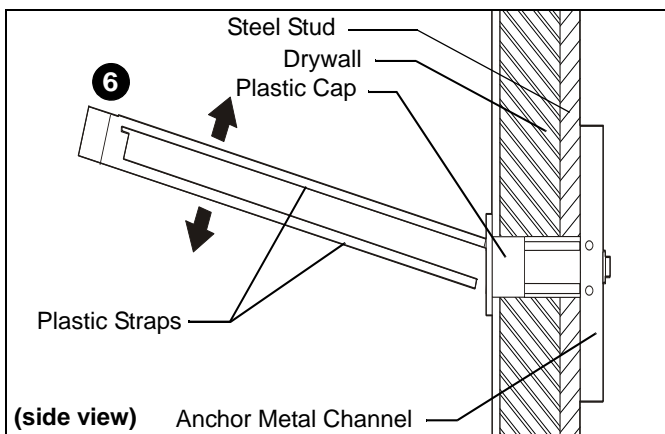


Figure 7

7. Place wall bracket over anchor and align mounting hole in wall bracket with hole in anchor. (See Figure 8)
8. Insert Grade 2 or better 1/4-20 x 1-3/4" Phillips pan head screw (not included) through Grade 2 or better 1/4" washer (not included), corresponding mounting hole on wall bracket and into Snap-Toggle (not included) and tighten until flush against mount. DO NOT overtighten! (See Figure 8)

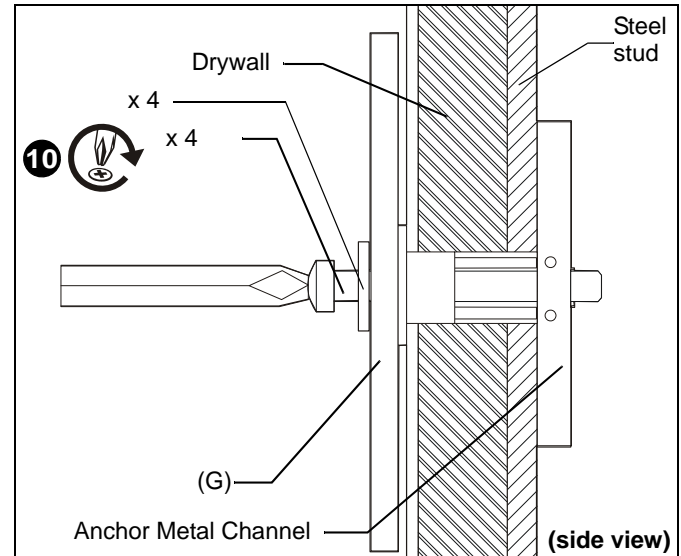


Figure 8

9. Level wall bracket using attached bubble level.
10. Make any necessary corrections to remaining mounting hole marking(s).
11. Repeat Steps 2 through 8 for remaining mounting hole(s).

Adjusting Projector Mount

Lower projector mount [attached to short throw projector arm (A)] to lowest position. (See Figure 9)

1. Loosen two screws (one on each side of projector mount). (See Figure 9)
2. Turn the button head cap screw on top of mount counterclockwise to lower the mount. (See Figure 9)
3. Loosen four hex head bolts. (See Figure 9)

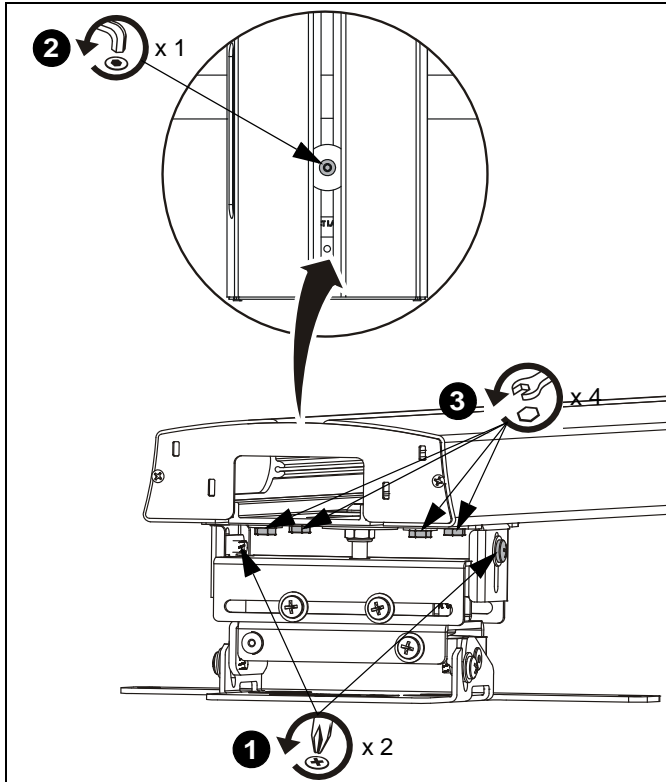


Figure 9

Installing Short Throw Projector Arm to Bracket

1. Attach arm adjust plate (C) to wall plate ensuring that adjust plate tabs fit into notches on wall plate. Insert and slightly tighten one 1/4-20 x 1-1/4" button head cap screw (HE). (See Figure 10)

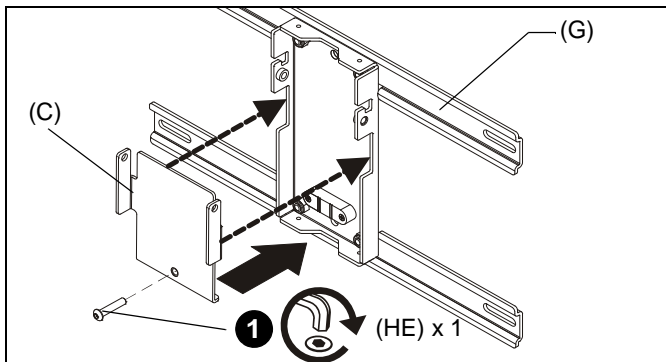


Figure 10

2. Lift short throw projector arm (A) up to wall plate (B) and place projector arm slots over wall plate hooks. (See Figure 11)

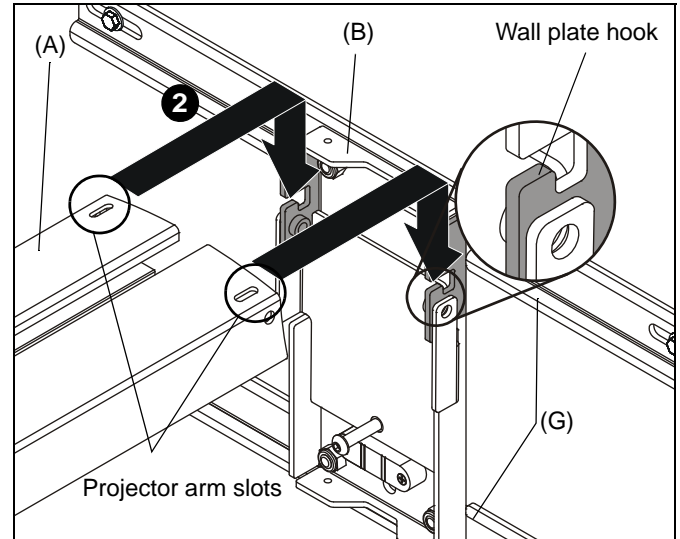


Figure 11

3. Fasten short throw arm (A) to wall plate (B) using two 1/4-20 x 3/4" button head cap screws (HD). (See Figure 12)

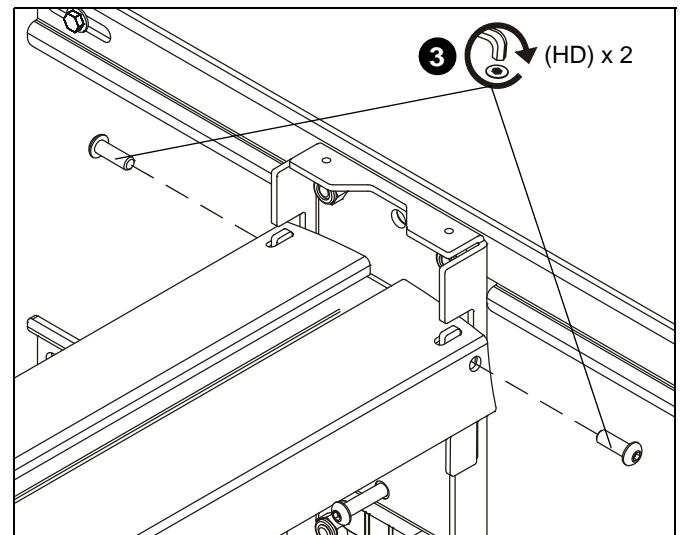


Figure 12

Projector Installation



WARNING: Exceeding the weight capacity can result in serious personal injury or damage to equipment! It is the installer's responsibility to make sure the weight of the projector does not exceed 25 lbs (11.3 kg).

1. Insert and slightly tighten two M4 x 8mm Phillips pan head screws (HA) into the projector threaded inserts. (See Figure 13)

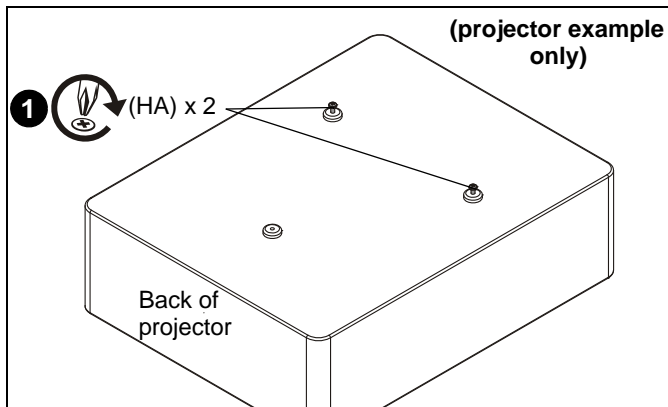


Figure 13

2. Raise the projector up to the projector arm and slide two screws into slots on the projector arm. (See Figure 14)
3. Add one remaining M4 x 8mm Phillips pan head screw (HA) through the projector arm and into the projector. (See Figure 14)
4. Tighten all three fasteners.
5. Slide projector along short throw projector arm until image is the correct size on screen.

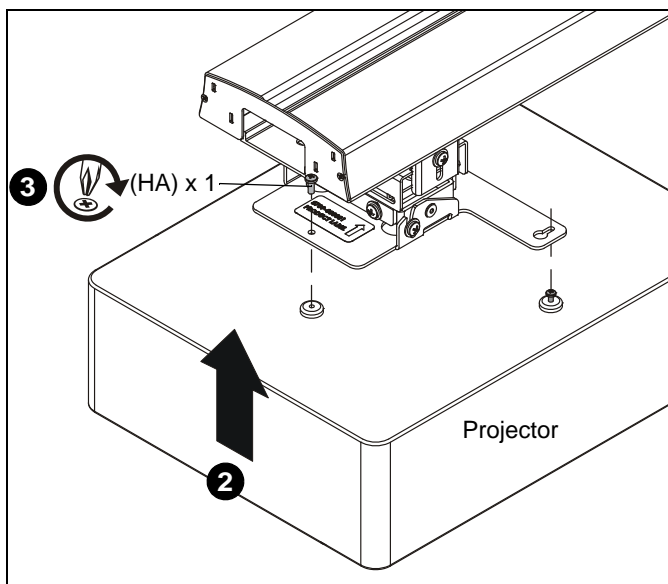


Figure 14

6. Tighten four hex head bolts, making sure image is square with wall. (See Figure 15)

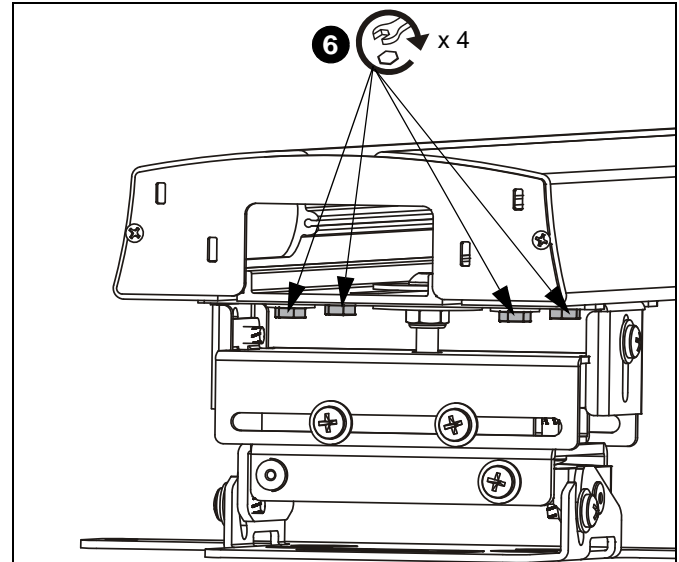


Figure 15

Leveling the Projector Arm

Tighten the button head cap screw on the arm adjustment plate (C) to level the projector arm. (See Figure 16)

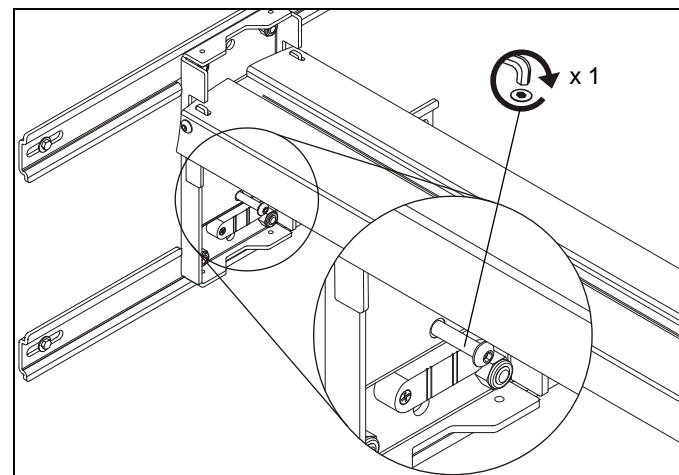


Figure 16

Adjustments

Height Adjustment

1. Loosen two Phillips screws (one on left, one on right). (See Figure 17)
2. Turn the button head cap screw on top of mount clockwise to raise the mount (counterclockwise to lower the mount). (See Figure 17)
3. Tighten two Phillips screws. (See Figure 17)

Pitch Adjustment

NOTE: Use a level to make this process easier.

4. Loosen two Phillips screws (one on right, one on left). (See Figure 17)
5. Tip up or down, as required.
6. Tighten two Phillips screws. (See Figure 17)

Roll Adjustment

NOTE: Use a level to make this process easier.

7. Loosen one Phillips screw. (See Figure 17)
8. Adjust horizontal tilt, as required.
9. Tighten one Phillips screw. (See Figure 17)

Side-to-Side Adjustment

10. Loosen four Phillips screws (two on front, two on back). (See Figure 17)
11. Adjust side-to-side, as required.
12. Tighten four Phillips screws. (See Figure 17)

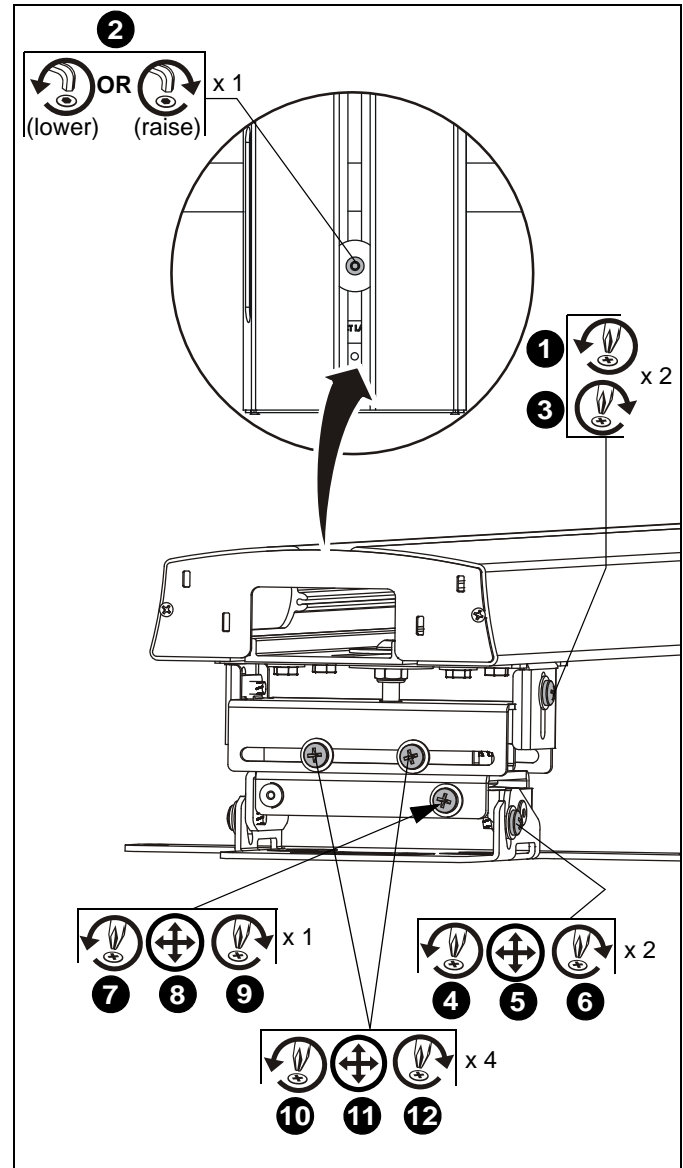


Figure 17

Cable Management (Optional)

1. Route cables/cords from projector through opening on projector arm and route to wall. (See Figure 18)
2. Guide cables/cords from wall end of projector arm upward or downward through slots in wall plate. (See Figure 18)

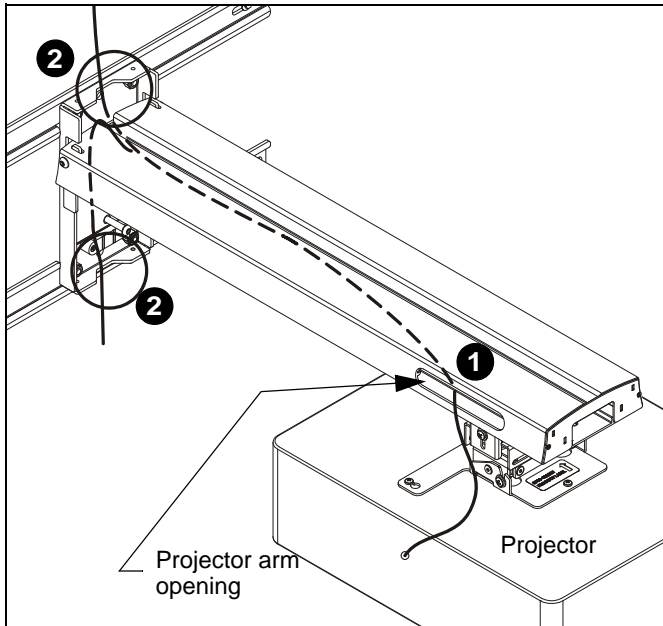


Figure 18

3. Add end cap (D) to end of short throw projector arm. (See Figure 20)

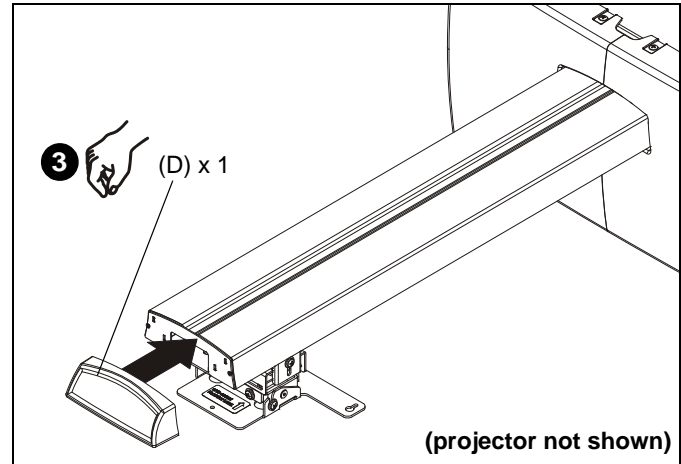


Figure 20

Add Plastic Covers

1. Add right and left plastic covers (E and F) over brackets. (See Figure 19)
2. Fasten covers using four 10-24 x 5/8" Phillips cap head screws (HB). (See Figure 19)

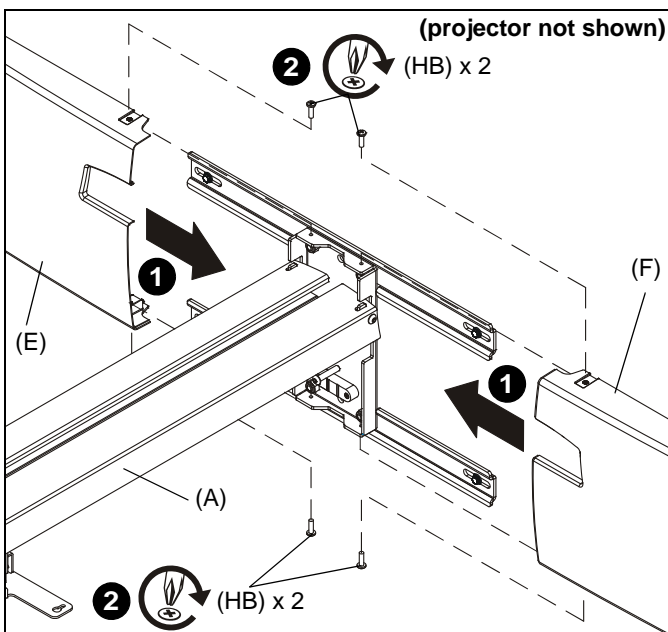


Figure 19

InFocus

8800-002462 Rev00
©2013 InFocus Corporation
www.infocus.com
09/13

InFocus Corporation

13190 SW 68th Parkway, Ste 200
Portland, OR 97223



Free Manuals Download Website

<http://myh66.com>

<http://usermanuals.us>

<http://www.somanuals.com>

<http://www.4manuals.cc>

<http://www.manual-lib.com>

<http://www.404manual.com>

<http://www.luxmanual.com>

<http://aubethermostatmanual.com>

Golf course search by state

<http://golfingnear.com>

Email search by domain

<http://emailbydomain.com>

Auto manuals search

<http://auto.somanuals.com>

TV manuals search

<http://tv.somanuals.com>