



27700B S.W. Parkway Ave.  
Wilsonville, Oregon 97070-9215  
1-800-294-6400

www.infocus.com

## SP-CEIL-004 DIGITAL PROJECTOR MOUNT

### Installation Instructions

These are the installation instructions for your Digital Projector Mount. Included are four methods of installation. Select the method that works best for your viewing situation. The methods are:

**Fixed Height Ceiling Installation**— best for short ceilings, eight (8') or lower

**Adjustable Height Ceiling Installation**—best for high ceilings, nine (9') feet or higher \*

**Wall Mount Installation**—for installing the Digital Projector Mount on a rear wall

\*If the required height range is greater than 12½", the optional SP-LTMT-EXTP could be used to extend the length of the suspension adapter (see (N) under "Hardware Description" on the next page). For further information or ordering assistance, please contact us at the phone number and address listed at the top of this column.



#### Before You Start the Installation

The wall or ceiling where you want to install the digital projector must be capable of supporting a weight that is five (5) times the weight of 6lbs the projector you are installing. Consult the projector's documentation for weight specifications. If the wall, ceiling, tabletop, shelf, or floor is not strong enough to handle five (5) times the weight of 6lbs, then you must reinforce the installation environment. If you are unsure about the installation environment, please consider having it reinforced and having the projector installed by qualified personnel. Failure to do so could result in serious personal injury and damage to the projector.

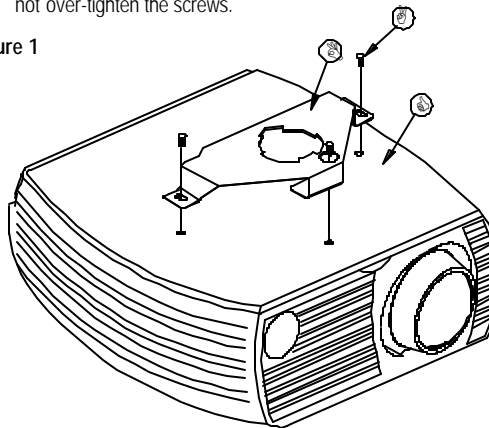
- To avoid personal injury, use only an approved projector mount. Using an unauthorized projector mount may lead to poor ventilation and projector failure.
- When installing the projector mount, keep in mind that the projector's focus ring is not squarely in the center of the front of the projector, but offset by several inches. Make sure that when you mount the projector you offset the installation to match the amount of inches that the projector's focus ring is offset from the center of the front of the projector.

### Getting the Digital Projector Ready

Before you start the installation process, prepare your Digital Projector by performing the following steps (FIGURE 1).

1. Turn the projector (C) upside down and place it on a clean flat surface, preferably on a towel.
2. Locate the mounting bracket (B) and align it over the holes on the projector.
3. Locate the three (3) 4 (mm) x 8 (mm) Phillips head screws (A).
4. Use the Phillips head screwdriver to secure the mounting bracket (B) to the projector via the three (3) Phillips head screws (A). Do not over-tighten the screws.

Figure 1



### Tools Needed for Installing the Digital Projector Mount

You need the following tools to install the Digital Projector Mount:

- Phillips head screwdriver (not included)
- Allen wrench (included)
- Drill (for installation environment only - *do not* use a drill on the Digital Projector or the Digital Projector Mount) and drill bit to match the hardware for your installation environment (not included)
- The commercially available hardware (F) that is required by your installation environment (not included)

### Projected Image Sizes

For image sizes based upon the projector's distance to the screen, consult the "Projected Image Size" section in your projector's User's Guide.

Download from [Www.Somanuals.com](http://Www.Somanuals.com). All Manuals Search And Download.

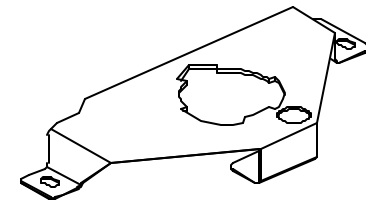
### Hardware Description

The Digital Projector Mount utilizes the following hardware. Note that the letters associated with the hardware on this list correspond to the letters listed in the instructions for each installation method.

- (A) Three (3) 4 (mm) x 8 (mm) Phillips head screws



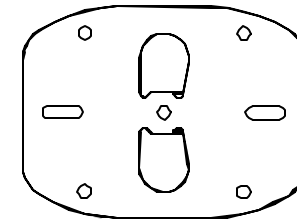
- (B) One (1) mounting bracket



- (C) Digital Projector (not included)

- (D) Ceiling structure (not included)

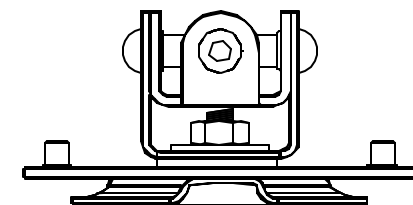
- (E) One (1) upper plate



- (F) **SINGLE WOOD STUD:** If mounting on a single wood stud use three (3) 5/16" x 2" Lag bolts (minimum) commercially available. Use the mounting points on the center of the plate.

**SOLID STRUCTURE:** If mounting to a solid structure use four (4) 5/16" x 2" Lag bolts (minimum) commercially available. Use the mounting points on the outer points of the plate.

- (G) One (1) swivel bracket (unit-attached)



(H) One (1) safety screw



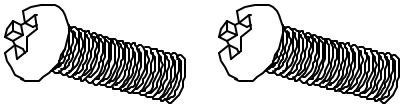
(I) One rotation plate unit attached



(J) Two (2) tension screws



(K) Two (2) height adjustable screws



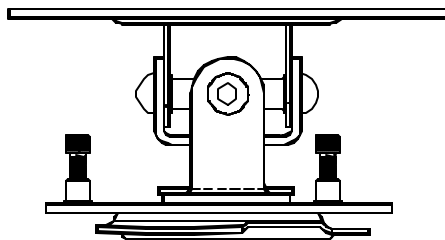
(L) Single wood stud (not included)

(M) Wall structure

(N) One (1) suspension adapter



(O) One (1) Litemount Plus® assembly (this contains (E), (G), and (I))



## Fixed Height Ceiling Installation

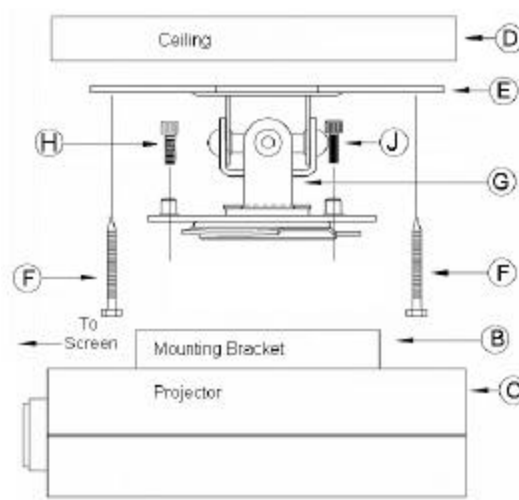
Complete the following steps to install the projector mount and projector on your ceiling. This installation works best with low ceilings (**FIGURE 2**).

**Note:** Look at the bottom of the swivel bracket (**G**) and locate the arrow. Make sure you install the projector mount with the arrow pointing toward your screen.

1. Secure the upper plate (**E**) to the ceiling (**D**) using the commercially available hardware (**F**) suitable for your environment. Be sure that the swivel bracket (**G**) arrow is pointing toward your screen.
2. Carefully raise the projector (**C**) with the mounting bracket (**B**) attached and insert it into the bottom of the swivel bracket (**G**) by its tabs.
3. Rotate the projector (**C**) with the mounting bracket (**B**) attached 180° so that the projector's focus ring is pointing toward your screen.
4. Align the safety screw (**H**) on the swivel bracket (**G**) with the end of the arrow-shaped slot on the mounting bracket (**B**) and screw it through the opening to prevent further rotation. Hand-tighten the screw (**H**).
5. Hand-tighten the remaining two clamp screws (**J**) to secure the mounting bracket (**B**) to the swivel bracket (**G**).

Check all of the hardware for proper tightness and security. *Do not over-tighten the screws.*

Figure 2



## Adjustable Height Ceiling Installation

Complete the following steps to install the projector mount and projector on your ceiling with the suspension adapter (**N**). This installation works best with high ceilings (**FIGURE 3**).

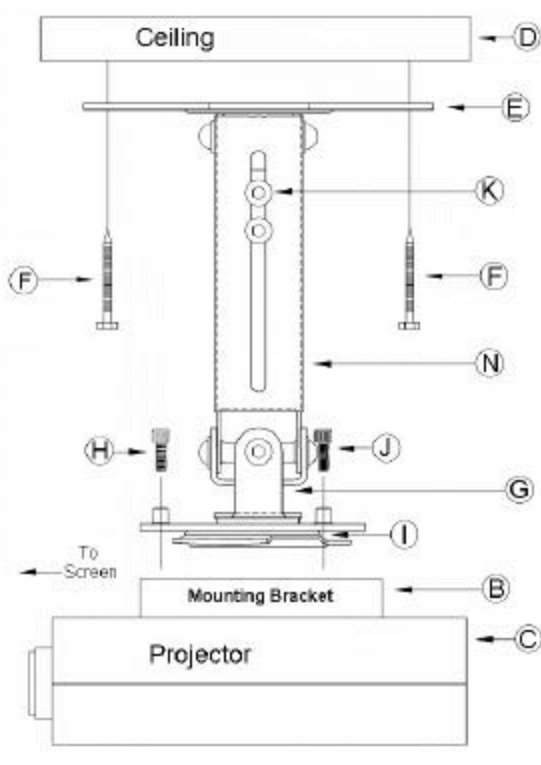
**Note:** Look at the bottom of the swivel bracket (**G**) and locate the arrow. Make sure you install the projector mount with the arrow pointing toward your screen.

6. Use the Allen wrench to remove the upper plate (**E**) from the swivel bracket (**G**).
7. Use the Allen wrench to remove the two screws from the enclosed end of the suspension adapter (**N**), and place it (**N**) into the slotted extension on the upper plate (**E**). Make sure that the two (2) outer holes on the suspension adapter (**N**) align with the holes on the slotted extension on the upper plate (**E**).
8. Screw the two screws removed in step 2 into the two (2) holes to secure the suspension adapter (**N**) to the upper plate (**E**).
9. Attach the swivel bracket (**G**) to the suspension adapter (**N**) and secure them with the two screws removed in step 1.
10. Secure the upper plate (**E**) to the ceiling (**D**) using the commercially available hardware (**F**) suitable for your environment. Be sure that the swivel bracket (**G**) arrow is pointing toward your screen.
11. Carefully raise the projector (**C**) with the mounting bracket (**B**) attached and insert it into the bottom of the swivel bracket (**G**) by its tabs.
12. Rotate the projector (**C**) with the mounting bracket (**B**) attached 180° so that the projector's focus ring is pointing toward your screen.
13. Align the safety screw (**H**) on the swivel bracket (**G**) with the end of the arrow-shaped slot on the mounting bracket (**B**) and screw it through the opening to prevent further rotation. Hand-tighten the screw (**H**).
14. Hand-tighten the remaining two clamp screws (**J**) to secure the mounting bracket (**B**) to the swivel bracket (**G**).

Check all of the hardware for proper tightness and security. *Do not over-tighten the screws.*

\*\* Hardware item (**F**) is what secures the Digital Projector Mount to your ceiling, wall, tabletop, shelf or floor. Make sure you consult with your local hardware store staff for the type of hardware that works best for your installation environment.

FIGURE 3



### Wall Mount Installation

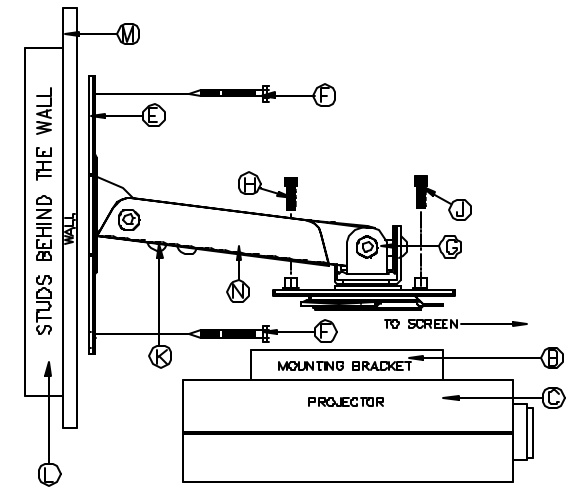
Complete the following steps to install the projector mount and projector to your wall. (FIGURE 4)

**Note:** Look at the bottom of the swivel bracket (G) and locate the arrow. Make sure you install the projector mount with the arrow pointing toward your screen.

15. Use the Allen wrench to remove the upper plate (E) from the swivel bracket (G).
16. Use the Allen wrench to remove the two screws from the enclosed end of the suspension adapter (N), and place it (N) into the slotted extension on the upper plate (E). Make sure that the two (2) outer holes on the suspension adapter (N) align with the holes on the slotted extension on the upper plate (E).
17. Screw the two screws removed in step 2 into the two (2) holes to secure the suspension adapter (N) to the upper plate (E).
18. Attach the swivel bracket (G) to the suspension adapter (N) and secure them with two screws removed in step 1.
19. Secure the upper plate (E) to the wall (M) using the commercially available hardware (F) suitable for your environment. Be sure that the swivel bracket (G) arrow is pointing toward your screen.
20. Carefully raise the projector (C) with the mounting bracket (B) attached and insert it into the bottom of the swivel bracket (G) by its tabs.
21. Rotate the projector (C) with the mounting bracket (B) attached 180° so that the projector's focus rings is pointing toward your screen.
22. Align the safety screw (H) on the swivel bracket (G) with the end of the arrow-shaped slot on the mounting bracket (B) and screw it through the opening to prevent further rotation. Hand-tighten the screw (H).
23. Hand-tighten the remaining two clamp screws (J) to secure the mounting bracket (B) to the swivel bracket (G).

Check all of the hardware for proper tightness and security. *Do not over-tighten the screws.*

FIGURE 4



## Free Manuals Download Website

<http://myh66.com>

<http://usermanuals.us>

<http://www.somanuals.com>

<http://www.4manuals.cc>

<http://www.manual-lib.com>

<http://www.404manual.com>

<http://www.luxmanual.com>

<http://aubethermostatmanual.com>

Golf course search by state

<http://golfingnear.com>

Email search by domain

<http://emailbydomain.com>

Auto manuals search

<http://auto.somanuals.com>

TV manuals search

<http://tv.somanuals.com>