



This product is intended for use with UL Listed products and must be installed by a qualified professional installer.

Maximum Load Capacity: 25 lb (11 kg)

Read instruction sheet before you start installation and assembly.

⚠ WARNING

- Make sure that the supporting surface will safely support the combined load of the equipment and all attached hardware and components.

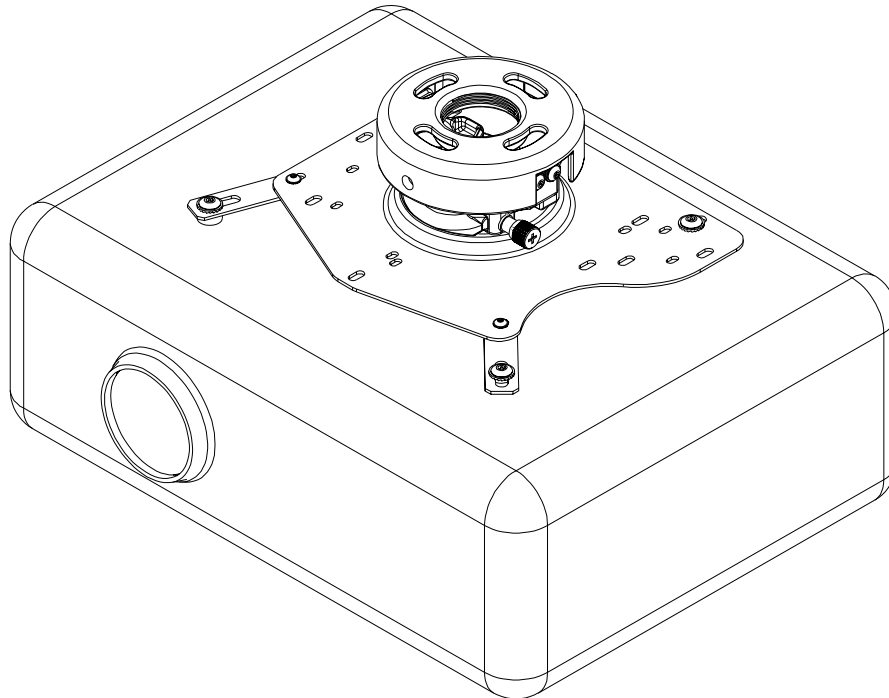
IMPORTANT! Turn to the appropriate page for your ceiling installation.

Applications:

Flush Mount	page 5
Extension Column	page 6
Lightweight Suspended Ceiling Plate	page 7

Installations:

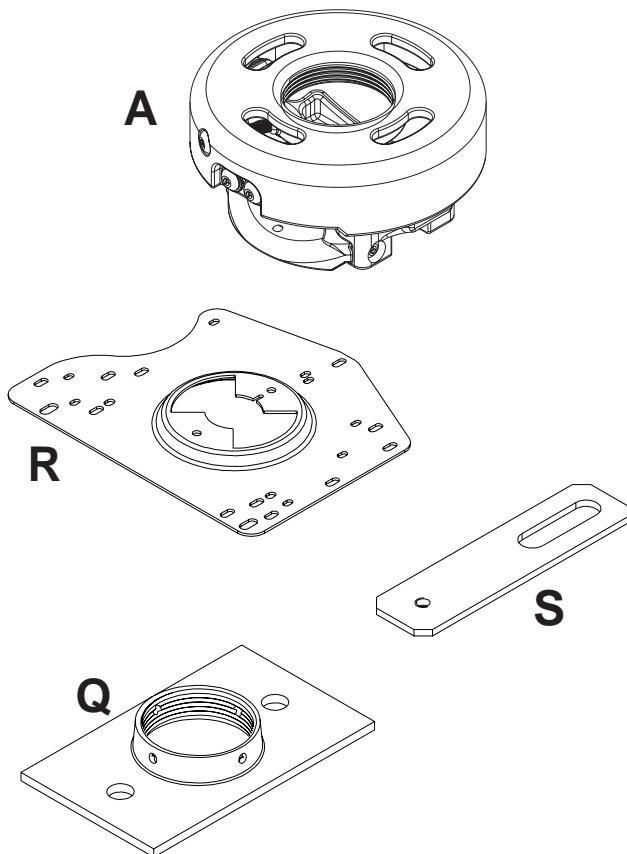
To Wood Joist Finished Ceilings, Exposed Wood Joists, or Wood Beam Ceilings	page 3
To Concrete Ceilings	page 4



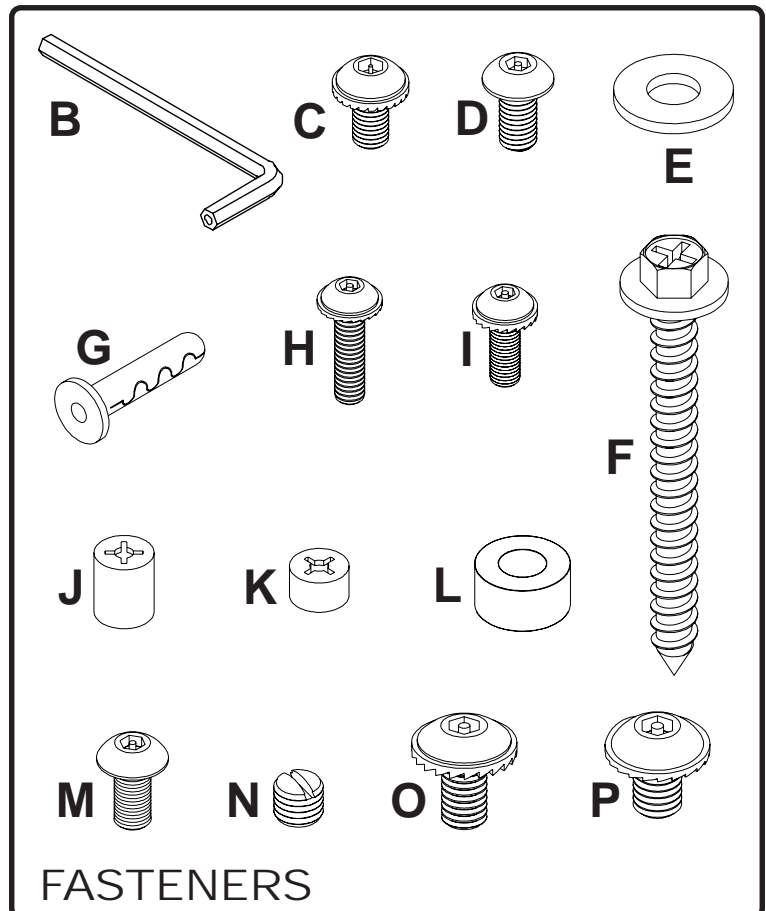
Before you start check the parts list to insure all of the parts shown are included.

Parts List

Description	Qty.	Part Number
A projector mount assembly	1	055-0420
B 4 mm security allen wrench	1	560-9646
C #10-32 x 3/8" serrated socket pin screw	2	520-1151
D #10-32 x 1/4" socket pin screw	1	520-1196
E 1/4" flat washer	2	540-9440
F #14 x 2.5 phillips hex head wood screw	2	5S1-015-C03
G concrete anchor	2	590-0097
H M4 x 16 mm serrated socket pin screw	3	510-1087
I M4 x 12 mm serrated socket pin screw	1	510-1079
J .198 x .313 x .375 retaining spacer	3	590-2020
K .198 x .313 x .187 retaining spacer	1	590-1030
L .25" ID x .56" OD x .26" spacer	6	590-1050
M M5 x 10 mm socket pin screw	1	520-1164
N #10-32 x 3/16" slotted set screw	1	520-1187
O M6 x 12 mm serrated socket pin screw	4	510-1050
P M4 x 6 mm serrated socket pin screw	2	510-1059
Q ceiling plate	1	580-1042
R adapter plate	1	055-1539
S extension bracket	2	055-1540

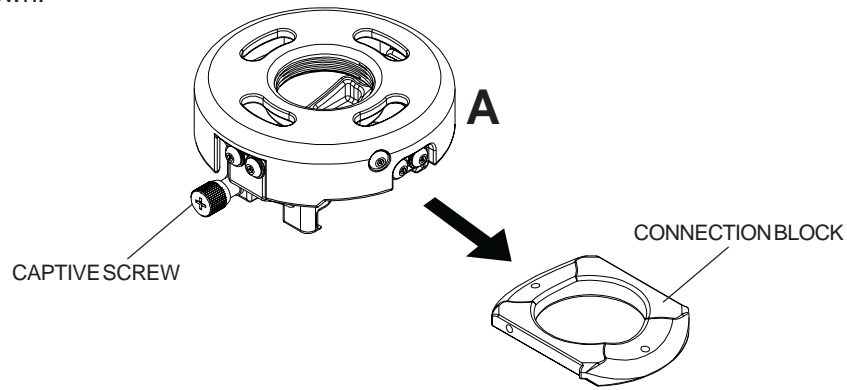


Note: Actual parts may appear slightly different than illustrated.



FASTENERS

- 1** Disengage connection block from projector mount assembly (**A**) by unscrewing captive screw and sliding out connection block as shown.

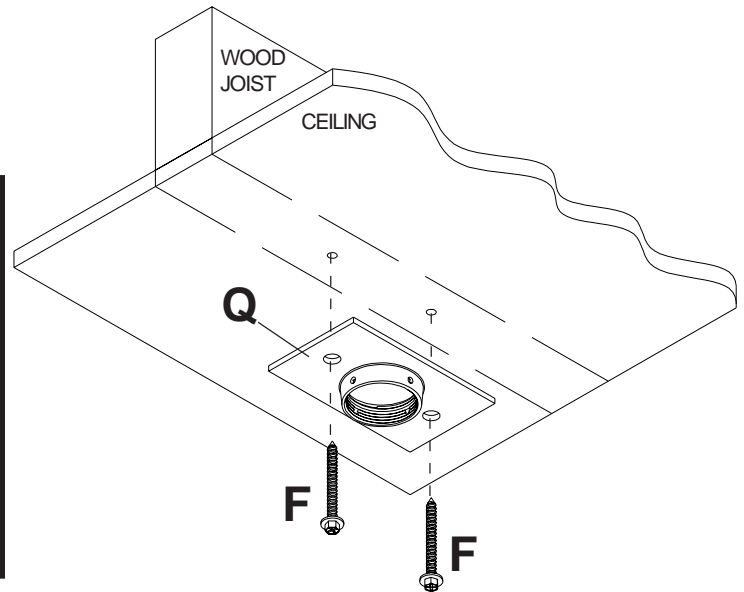


Installation To Wood Joist Finished Ceilings, Exposed Wood Joists, or Wood Beam Ceilings

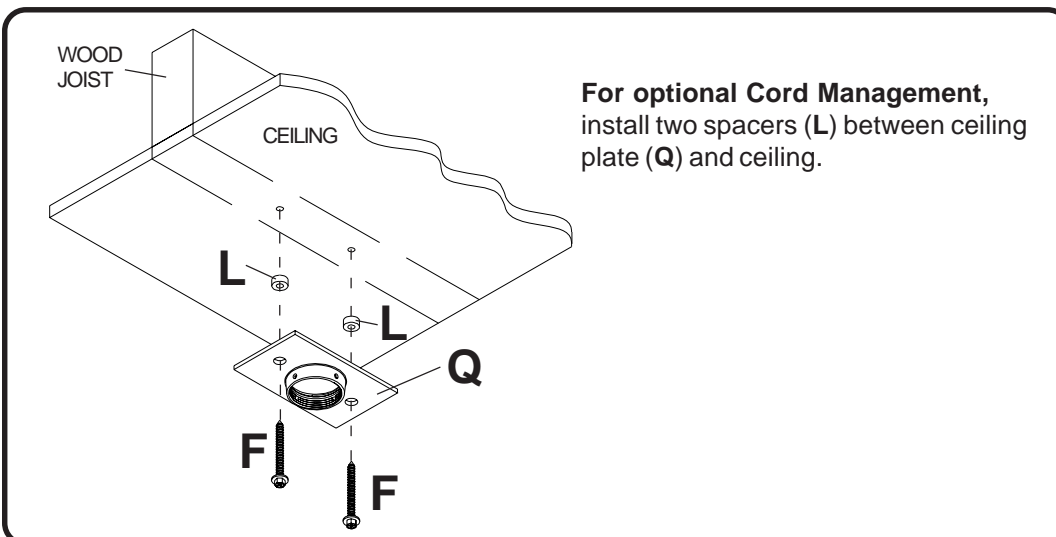
- 2** Drill two 5/32" (4 mm) dia. holes to a minimum depth of 2.5" (64 mm). Attach ceiling plate (**Q**) with two #14 x 2.5" (6 mm x 65 mm) wood screws (**F**) as shown using 3/8" (10 mm) socket wrench. Tighten wood screws (**F**) so ceiling plate (**Q**) is firmly attached.

⚠ WARNING

- Tighten wood screws so that ceiling plate is firmly attached, but do not overtighten. Overtightening can damage the screws, greatly reducing their holding power.
- Never tighten in excess of 80 in • lb (9 N.M.).
- Make sure that mounting screws are anchored into the center of the joist. The use of an "edge to edge" stud finder is highly recommended.



Skip to step 7.



Installation to Concrete Ceilings

Alligator® concrete anchors are recommended.

- 3** Drill two 1/4" (6 mm) dia. holes to a minimum depth of 2.5" (64 mm). Attach ceiling plate (Q) using two concrete anchors (G) and #14 x 2.5" wood screws (F) as shown in **Illustration A** and 1, 2, and 3. Tighten all fasteners.

Skip to step 7.

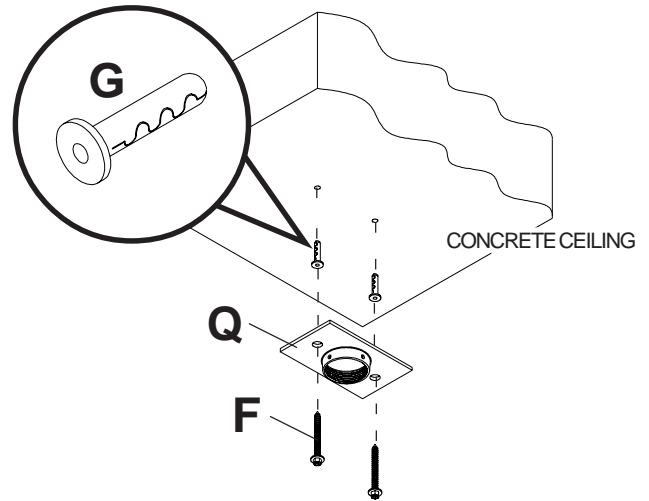


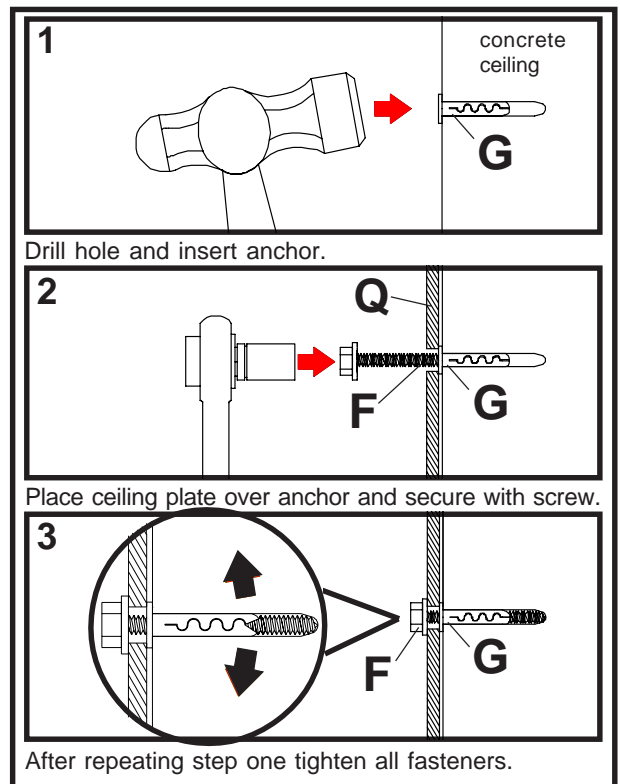
Illustration A

⚠ WARNING

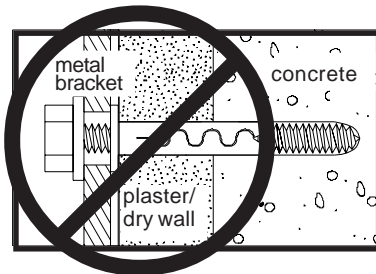
- Make sure that the supporting surface will safely support the combined load of the equipment and all attached hardware and components.
- Tighten concrete anchor bolt firmly, but do not over-tighten. Overtightening can damage the bolt, greatly reducing its holding power.
- Never tighten in excess of 80 in • lb (9 N.M.).

⚠ WARNING

- Concrete anchors are **not** intended for attachment to concrete wall covered with a layer of plaster, drywall, or other finishing material. If mounting to concrete wall covered with plaster/drywall is unavoidable, plaster/drywall (up to 5/8" thick) must be counterbored as shown below. If plaster/drywall is thicker than 5/8", custom fasteners must be supplied by installer.

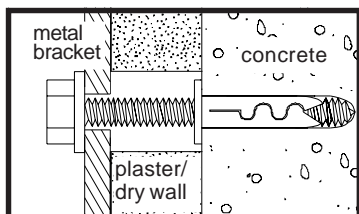


INCORRECT



CUTAWAY VIEW

CORRECT



Flush Mount Installation

- 4** Drill two 5/32" (4 mm) dia. holes to a minimum depth of 2.5" (64 mm). Attach projector mount assembly (A) with two #14 x 2.5" (6 mm x 65 mm) wood screws (F) and two flat washers (E) as shown in **figure 1** or **figure 2** depending on joist orientation. Tighten wood screws (F) using 3/8" (10 mm) socket wrench until projector mount assembly (A) is firmly attached.

⚠ WARNING

- Tighten wood screws so that projector mount assembly is firmly attached, but do not overtighten. Overtightening can damage the screws, greatly reducing their holding power.
- Never tighten in excess of 80 in • lb (9 N.M.).
- Make sure that mounting screws are anchored into the center of the joist. The use of an "edge to edge" stud finder is highly recommended.

Skip to step 7.

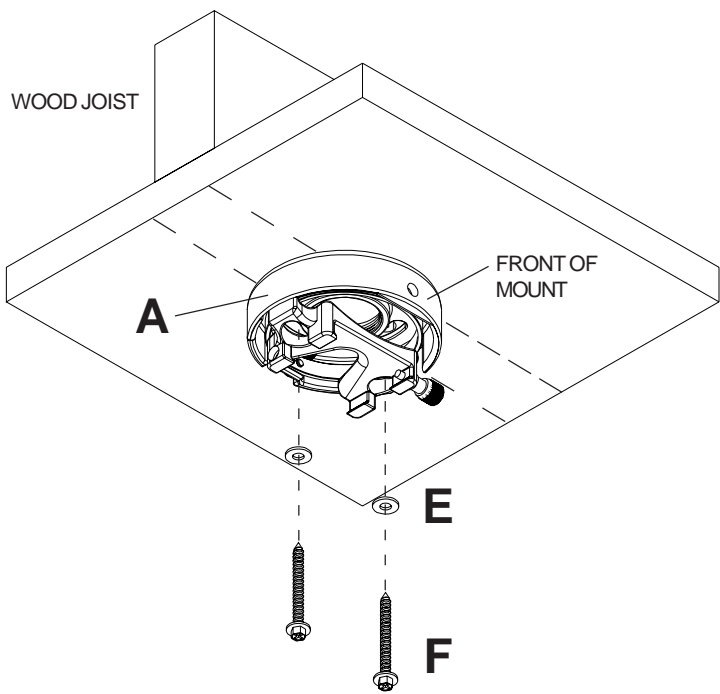


figure 1

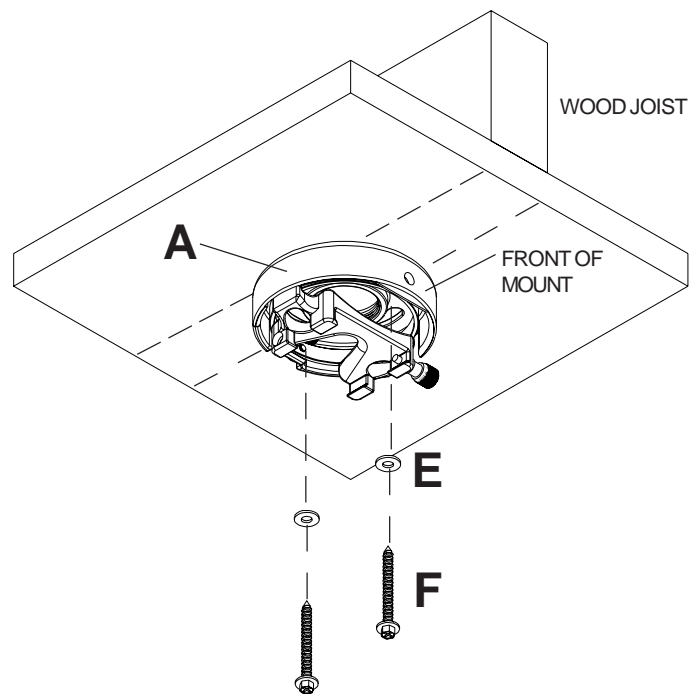


figure 2

Installation to Extension Column (SP-EXTARM-01, SP-EXTARM-02, SP-EXTARM-03, SP-EXTARM-04)

5 Screw extension column (sold separately) to ceiling plate (Q). Align the notch with one of the four holes in the ceiling plate (Q) and secure extension column with a M5 x 10 mm socket pin screw (M) using security allen wrench (B). See detail 3.

Screw projector mount assembly (A) onto the extension column as shown in detail 4.

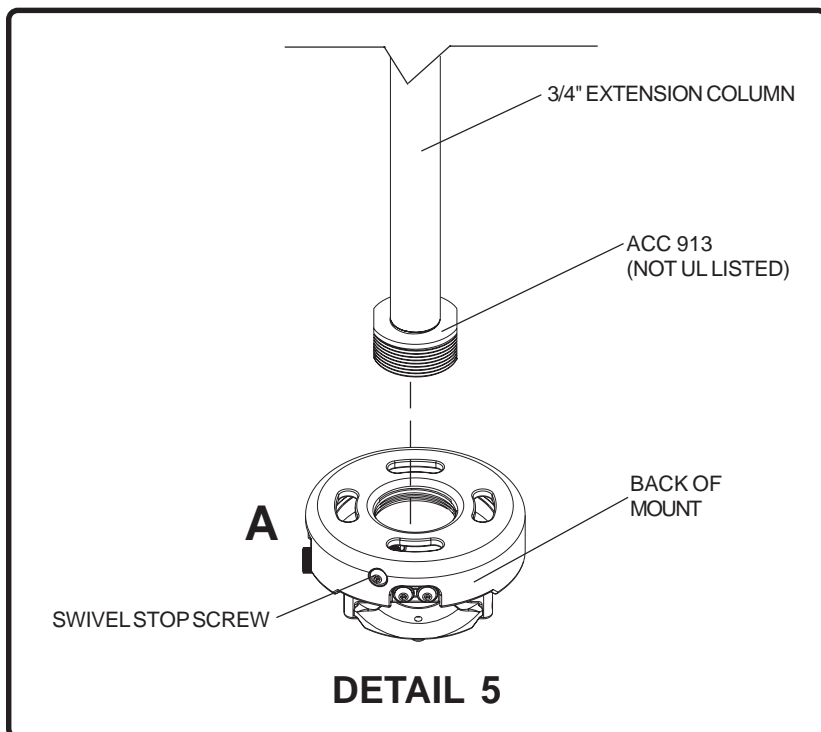
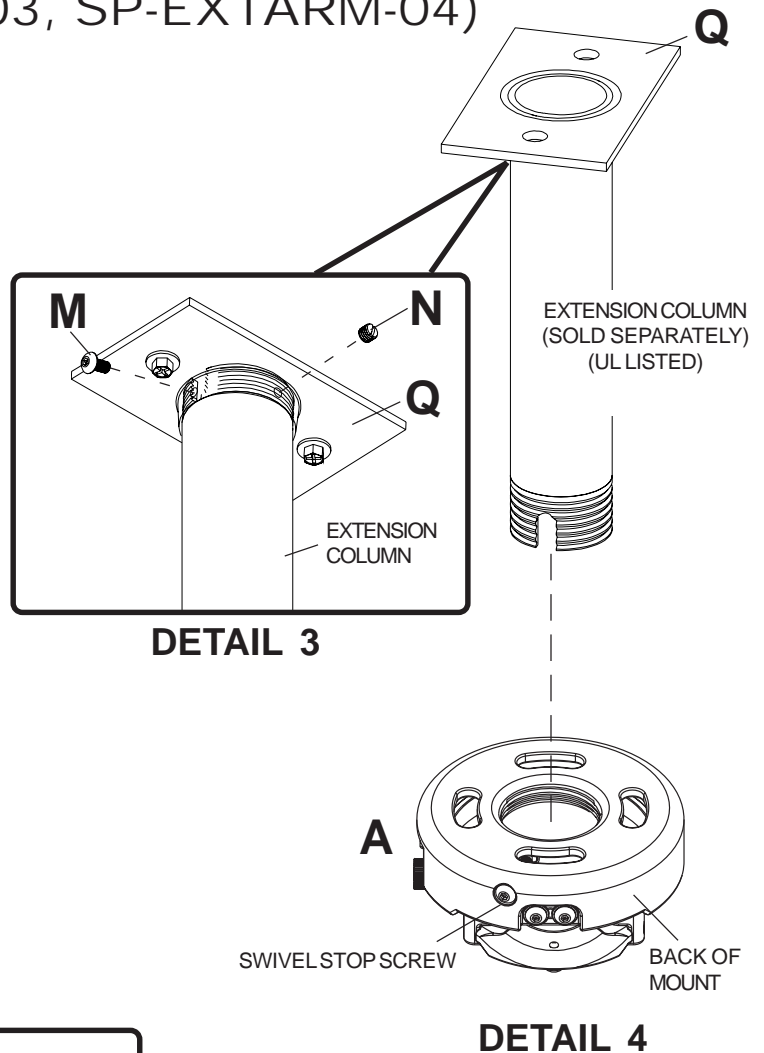
Note: For 3/4" extension columns, reducer ACC 913 will be required as shown in detail 5.

Tighten swivel stop screw against extension column or reducer using security allen wrench (B).

Note: Swivel stop screw is used to jam against threads of extension column or reducer to prevent any excess movement of projector mount assembly (A). Do not overtighten screw; overtightening screw will damage threads making it difficult to separate products.

Note: Slotted set screws (N) are used to jam against the threads of each connecting joint to prevent any excess movement. Do not overtighten screws; overtightening screws will damage threads making it difficult to separate the products.

Skip to step 7.



Installation to Lightweight Suspended Ceiling Plate (EXT-LTMT-PLTB)

6 Refer to instruction sheet for lightweight suspended ceiling plate (sold separately) for attachment of ceiling plate to ceiling.

Screw extension column (sold separately) to retaining collar in ceiling tray. Align the notch with one of the four holes in retaining collar and secure extension column with a M5 x 10 mm socket pin screw (M) using security allen wrench (B). See detail 6.

Screw projector mount assembly (A) onto the extension column as shown in detail 7.

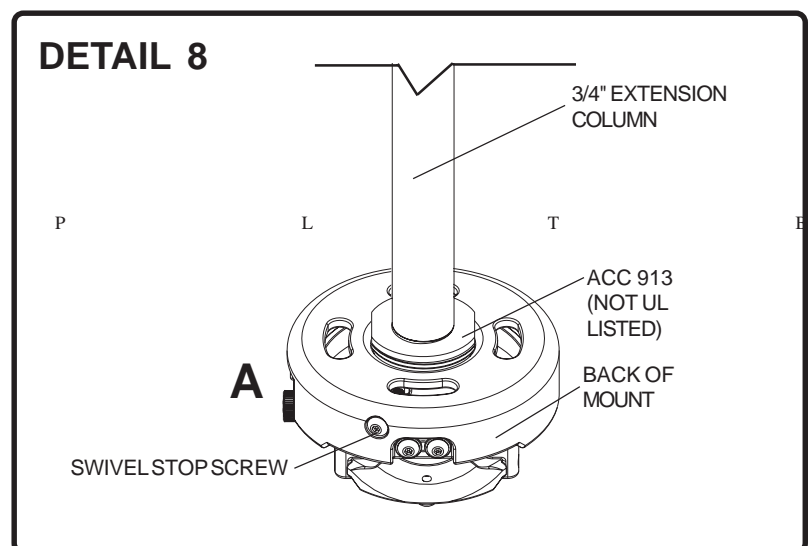
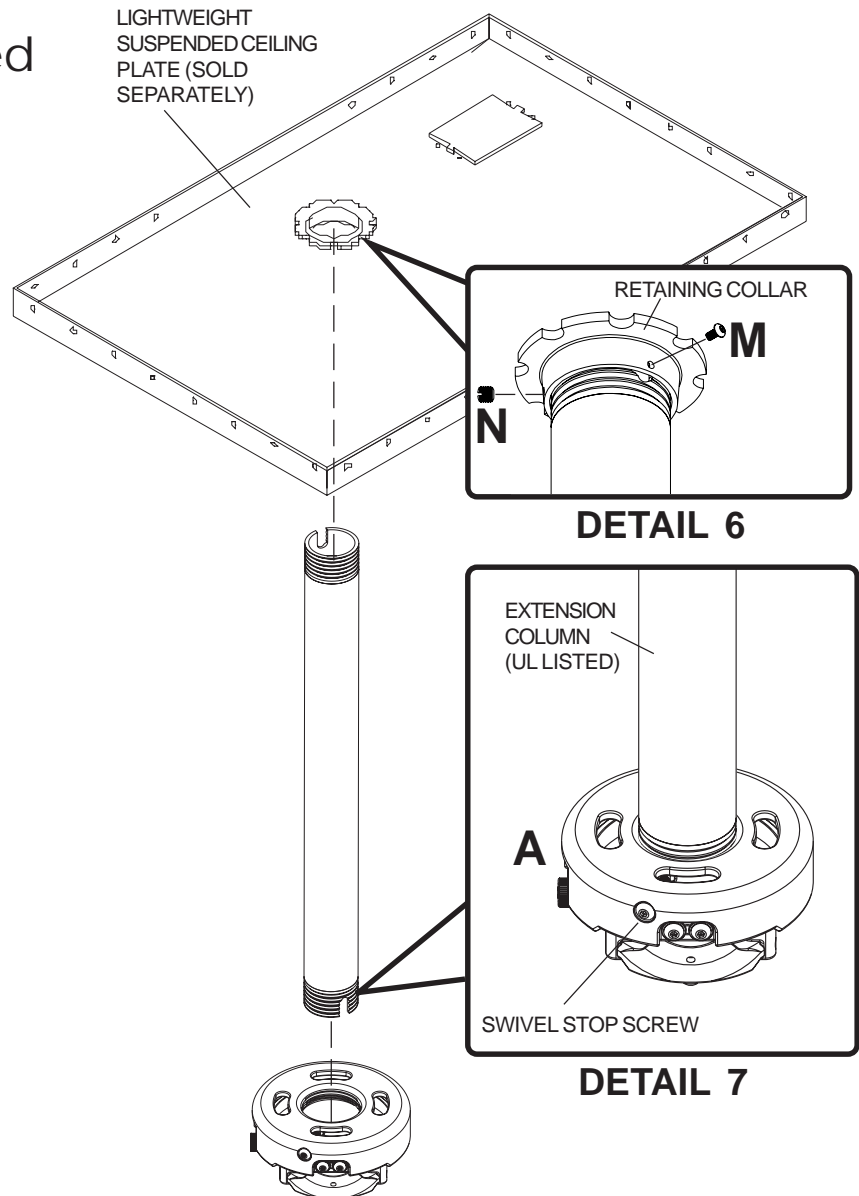
Note: For 3/4" extension columns, reducer ACC 913 will be required as shown in detail 8.

Tighten swivel stop screw against extension column or reducer using security allen wrench (B).

Note: Swivel stop screw is used to jam against threads of extension column or reducer to prevent any excess movement of projector mount assembly (A). Do not overtighten screw; overtightening screw will damage threads making it difficult to separate products.

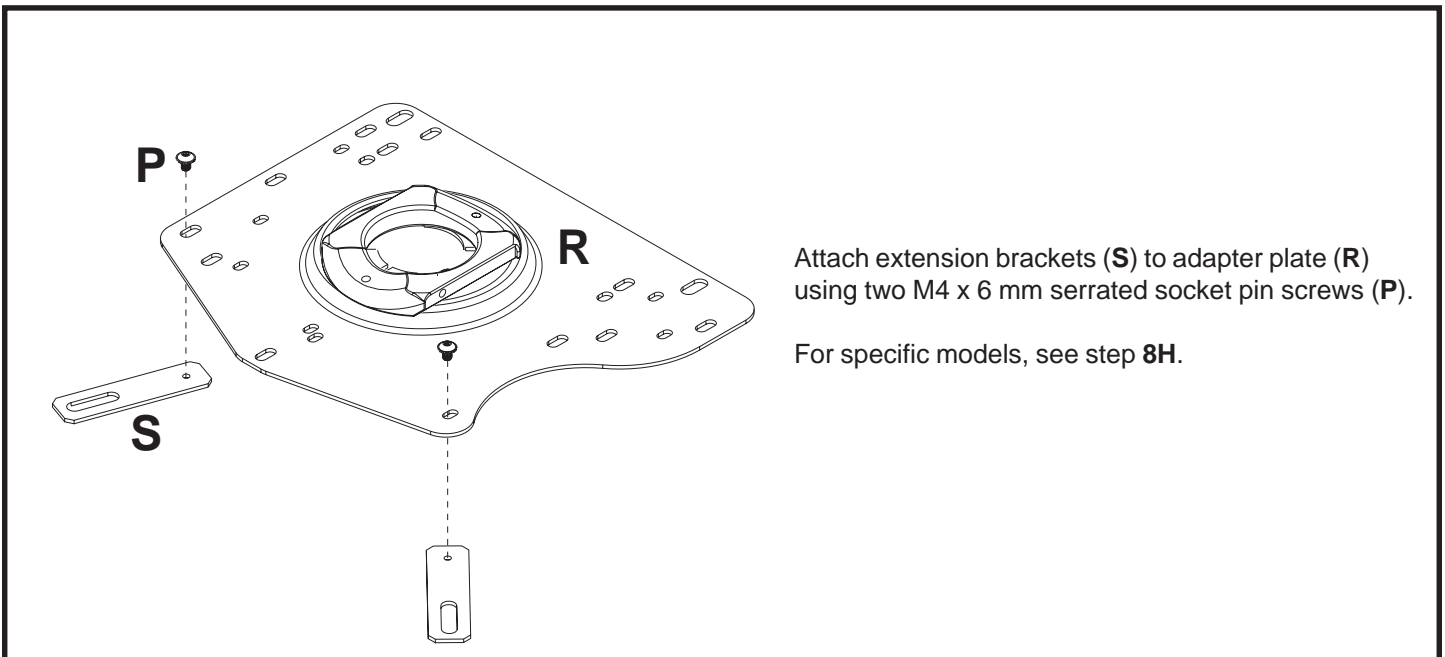
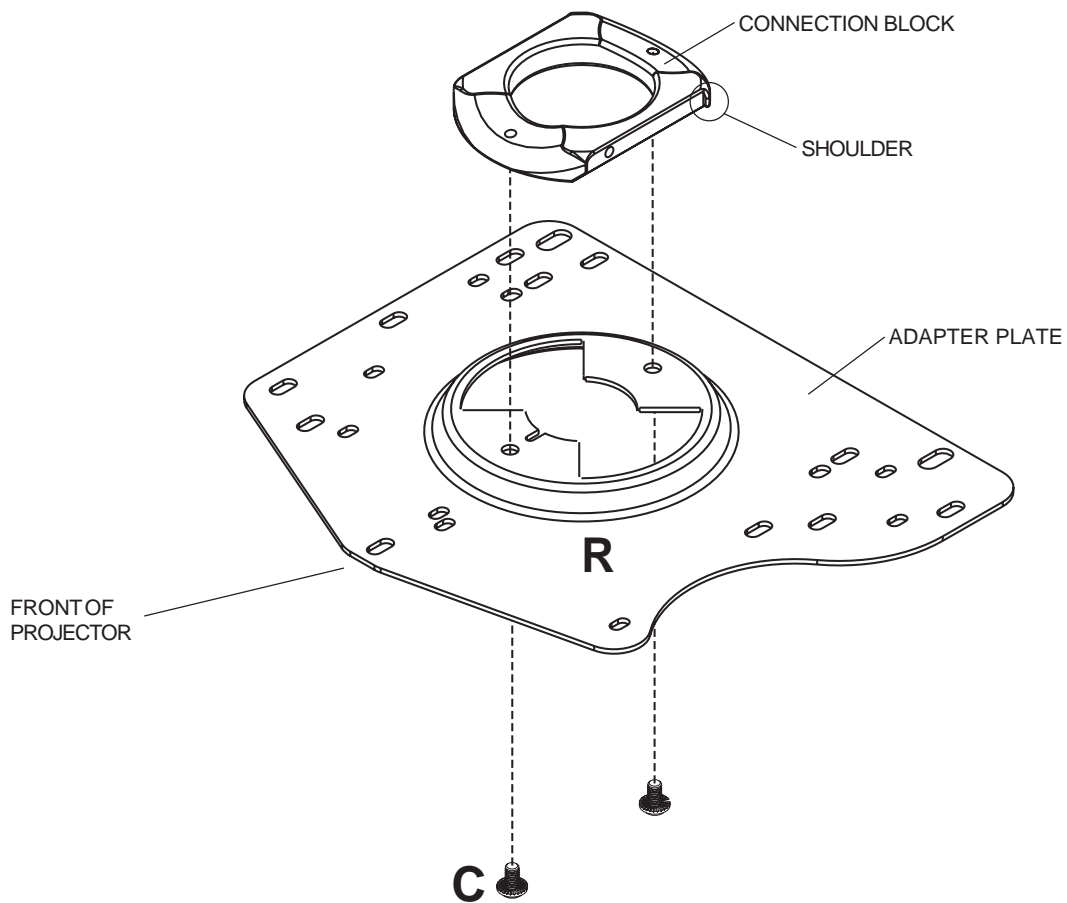
Note: Slotted set screws (N) are used to jam against the threads of each connecting joint to prevent any excess movement. Do not overtighten screws; overtightening screws will damage threads making it difficult to separate the products.

Skip to step 7.



Note: The projector adapter plate and projector you are installing may differ in appearance from the sample illustrated below.

7 Align shoulder on connection block opposite of front of projector. Attach adapter plate (**R**) to connection block from projector mount assembly (**A**) using two #10-32 x 3/8" serrated socket pin screws (**C**) as shown.



Attach extension brackets (**S**) to adapter plate (**R**) using two M4 x 6 mm serrated socket pin screws (**P**).

For specific models, see step **8H**.

8 Flip projector upside down. Find your projector from the models listed below. Using the holes indicated on the corresponding hole pattern diagram, attach adapter plate (**R**) to projector using three M4 x 16 mm serrated socket pin screws (**H**) and three .198 x .313 x .375 retaining spacers (**J**).

Notes:

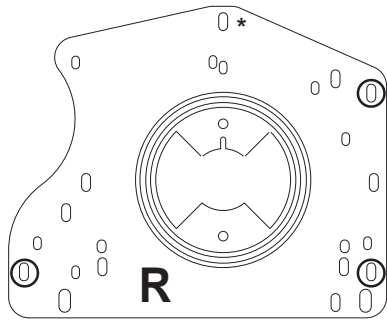
Retaining spacers go between adapter plate and projector.

* Front of projector.

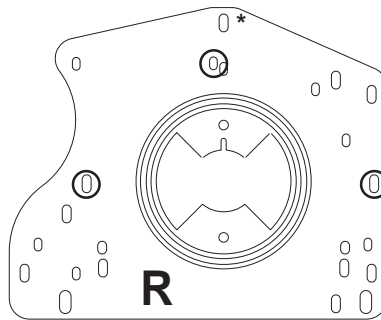
** Projectors using hole pattern **G** use one M4 x 12 mm screw (**I**) and one .198 x .313 x .187 retaining spacer (**K**) where indicated.

*** Using holes indicated in hole pattern **H**, attach adapter plate (**R**) to projector using four M6 x 12 mm serrated socket pin screws (**O**) and four spacers (**L**)

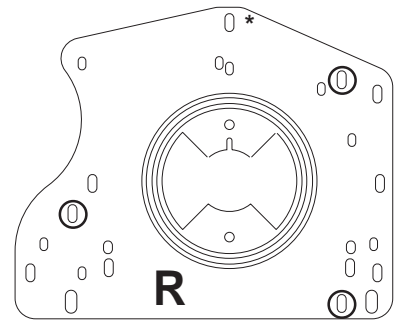
A. C200, DP6500X, LP650, SP5700, SP7200, SP7205, SP7210



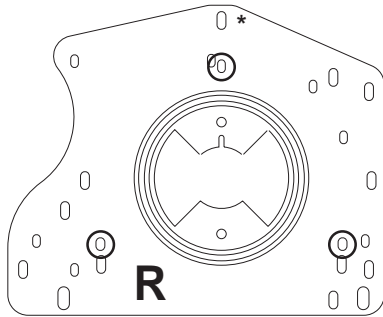
B. C40, C50, DP2000S, DP2000X, LP240, LP250



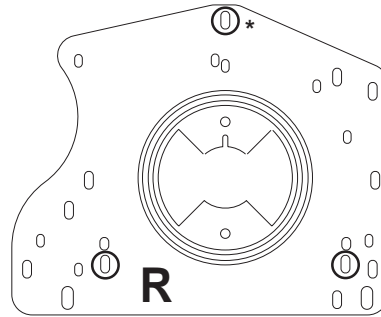
C. LP340, LP350, LP500, LP530, SP110



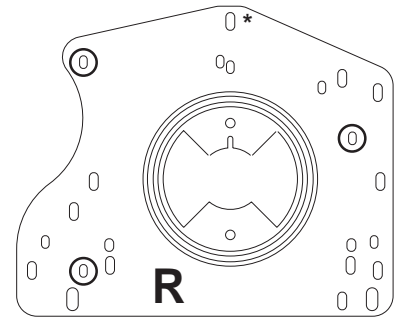
D. C100, C105, DP6150, DP6155, LP690



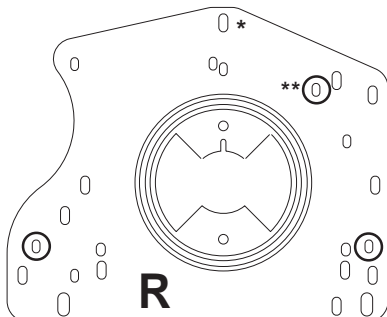
E. C109, C110, DP8000, LP790, SP4800, SP4805, X1, X1a, X2, X3



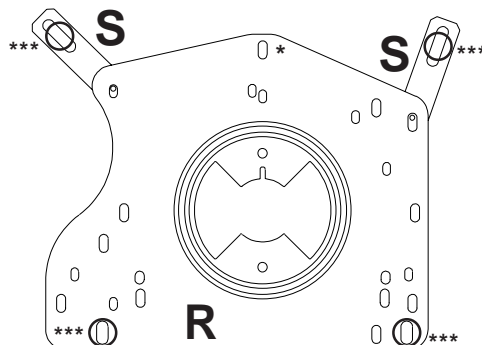
F. C170, LP600



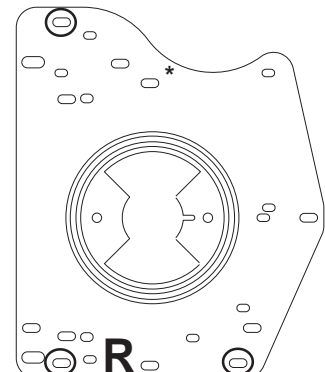
G. C160, C180, LP540, LP640, SP5000



H. C440, C450, C460, DP8400X, DP8500X, LP840, LP850, LP860

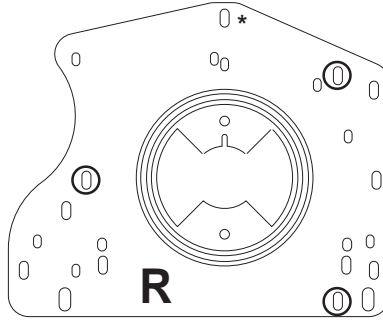
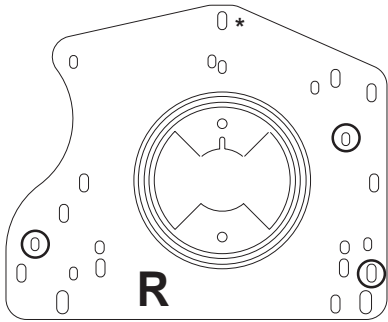


I. C410, C420, LP815, LP820, DP8200X



J. IN72, IN74, IN76

K. IN24, IN26

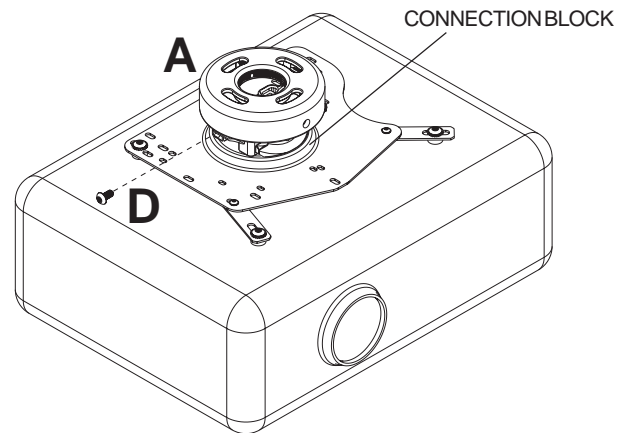
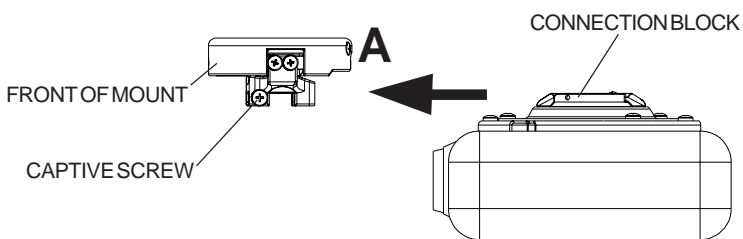


⚠ WARNING

- Always use an assistant or mechanical lifting equipment to safely lift and position the projector.

9 Slide connection block with projector into projector mount assembly (A) as shown. Tighten captive screw to secure projector to projector mount assembly (A).

10 **IMPORTANT:** For security installations, insert one #10-32 x 1/4" socket pin screw (D) through projector mount assembly (A) and into connection block as shown.



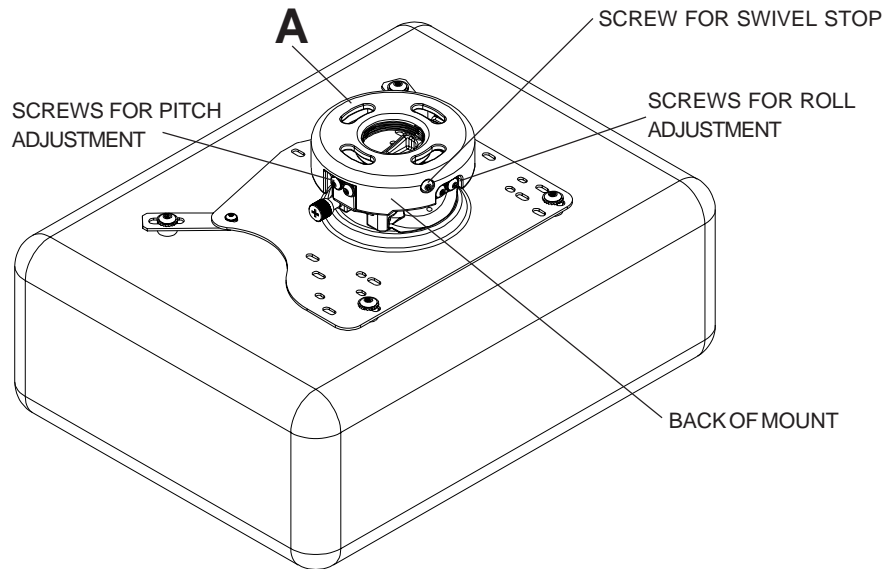
Projector Alignment

11 **To adjust yaw (swivel) for wood stud, concrete ceiling, and threaded rod mounting applications:** Loosen wood screws (F), or locknuts for threaded rods, until projector mount can be rotated. Rotate mount to desired position and retighten screws or locknuts.

To adjust yaw (swivel) for extension column applications: Loosen screw on projector mount assembly (A) indicated below until projector mount can be rotated. Rotate mount to desired position and retighten screw.

To adjust pitch (forward and backward tilt): Loosen two screws on projector mount assembly (A) indicated below. Tilt mount to desired position and retighten screws.

To adjust roll (side to side tilt): Loosen two screws on projector mount assembly (A) indicated below. Tilt mount to desired position and retighten screws.



Free Manuals Download Website

<http://myh66.com>

<http://usermanuals.us>

<http://www.somanuals.com>

<http://www.4manuals.cc>

<http://www.manual-lib.com>

<http://www.404manual.com>

<http://www.luxmanual.com>

<http://aubethermostatmanual.com>

Golf course search by state

<http://golfingnear.com>

Email search by domain

<http://emailbydomain.com>

Auto manuals search

<http://auto.somanuals.com>

TV manuals search

<http://tv.somanuals.com>