

IN3118HD

User's Guide
Mode d'emploi
Benutzeranleitung
Manual de Uso
Guida all'uso
Gebruikershandleiding
Guia do Usuário
Användarhandbok
Руководство по пользователю
사용 설명서
用戶指南
Panduan Pengguna



Regulatory Model: IN3118HD

DISPERINDAG No. 0287/1.824.51/09.03

3534172901



InFocus

Bright Ideas Made Brilliant

Copyright

This publication, including all photographs, illustrations and software, is protected under international copyright laws, with all rights reserved. Neither this manual, nor any of the material contained herein, may be reproduced without written consent of the author.

© Copyright 2011

Disclaimer

The information in this document is subject to change without notice. The manufacturer makes no representations or warranties with respect to the contents hereof and specifically disclaims any implied warranties of merchantability or fitness for any particular purpose. The manufacturer reserves the right to revise this publication and to make changes from time to time in the content hereof without obligation of the manufacturer to notify any person of such revision or changes.

Trademark Recognition

Apple, Macintosh, and PowerBook are trademarks or registered trademarks of Apple Computer, Inc. IBM is a trademark or registered trademark of International Business Machines, Inc. Microsoft, PowerPoint, and Windows are trademarks or registered trademarks of Microsoft Corporation. Adobe and Acrobat are trademarks or registered trademarks of Adobe Systems Incorporated. DLP®, DLP Link and the DLP logo are registered trademarks of Texas Instruments and BrilliantColor™ is a trademark of Texas Instruments. InFocus, In Focus, and INFOCUS (stylized) are either registered trademarks or trademarks of InFocus Corporation in the United States and other countries.

HDMI, the HDMI Logo, and High-Definition Multimedia Interface are trademarks or registered trademarks of HDMI Licensing LLC in the United States and other countries.

All other product names used in this manual are the properties of their respective owners and are acknowledged.

Important Safety Information

Important:

It is strongly recommended that you read this section carefully before using the projector. These safety and usage instructions will ensure that you enjoy many years of safe use of the projector. Keep this manual for future reference.

Symbols Used

Warning symbols are used on the unit and in this manual to alert you of hazardous situations.

The following styles are used in this manual to alert you to important information.

Note:

Provides additional information on the topic at hand.

Important:

Provides additional information that should not be overlooked.

Caution:

Alerts you to situations that may damage the unit.

Warning:

Alerts you to situations that may damage the unit, create a hazardous environment, or cause personal injury.

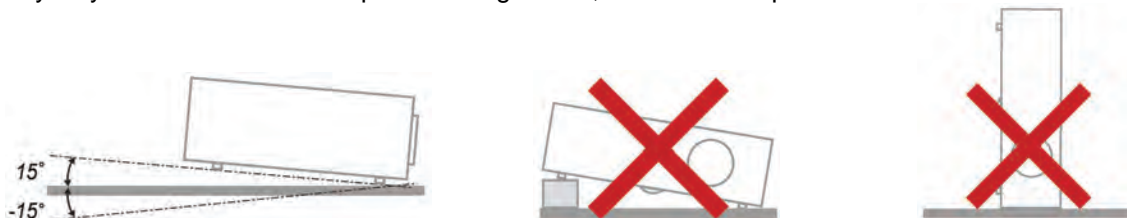
Throughout this manual, component parts and items in the On-Screen Display (OSD) menus are denoted in bold font as in this example: "Push the **MENU** button on the remote control to open the **DISPLAY** menu."

General Safety Information

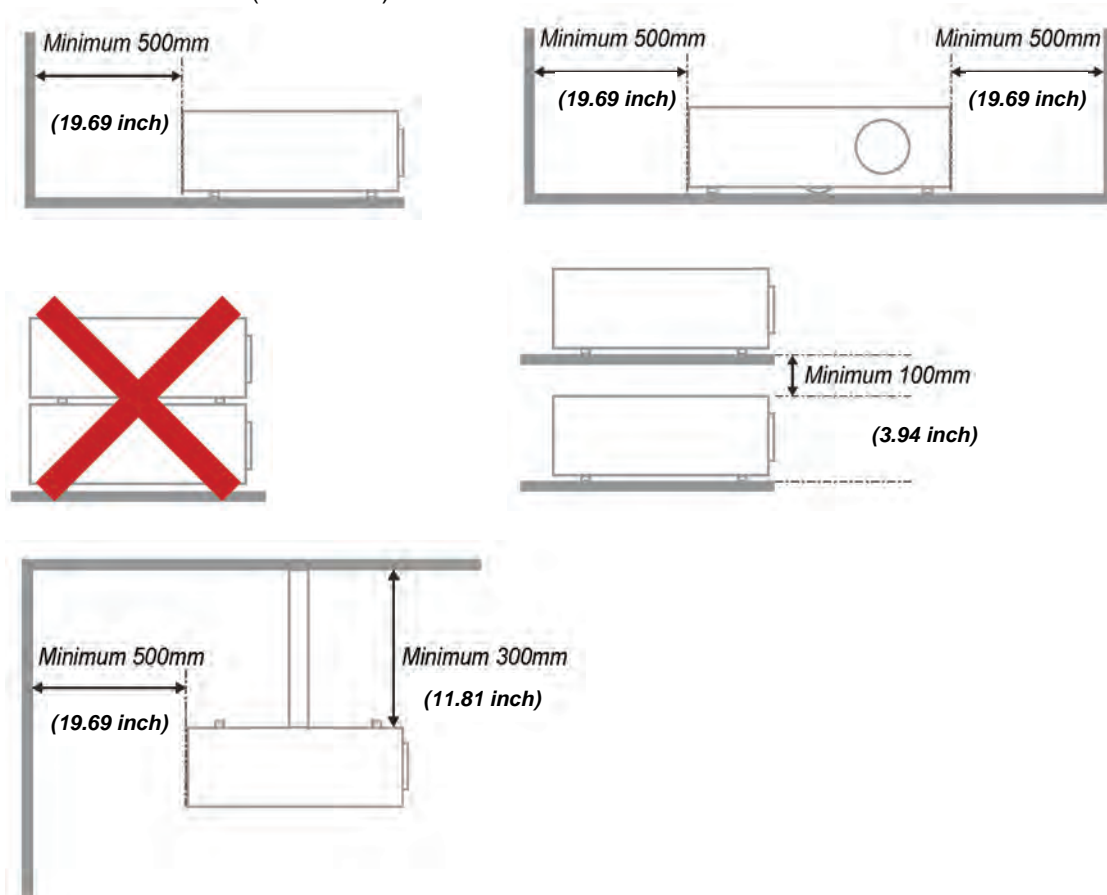
- Do not open the unit case. Aside from the projection lamp, there are no user-serviceable parts in the unit. For servicing, contact InFocus at www.infocus.com/support
- Follow all warnings and cautions in this manual and on the unit case.
- The projection lamp is extremely bright by design. To avoid damage to eyes, do not look into the lens when the lamp is on.
- Do not place the unit on an unstable surface, cart, or stand.
- Avoid using the system near water, in direct sunlight, or near a heating device.
- Do not place heavy objects such as books or bags on the unit.

Projector Installation Notice

- Place the projector in a horizontal position
The tilt angle of the projector should not exceed 15 degrees, nor should the projector be installed in any way other than the desktop and ceiling mount, otherwise lamp life could decrease dramatically.



- Allow at least 50 cm (19.69 inch) clearance around the exhaust vent.



- Ensure that the intake vents do not recycle hot air from the exhaust vent.
- When operating the projector in an enclosed space, ensure that the surrounding air temperature within the enclosure does not exceed 0 – 40°C (32– 104°F) while the projector is running, and the air intake and exhaust vents are unobstructed.
- All enclosures should pass a certified thermal evaluation to ensure that the projector does not recycle exhaust air, as this may cause the device to shutdown even if the enclosure temperature is within the acceptable 0 – 40°C (32– 104°F) range.

Power Safety

- Only use the supplied power cord.
- Do not place anything on the power cord. Place the power cord where it will not be in the way of foot traffic.
- Remove the batteries from the remote control when storing or not in use for a prolonged period.

Replacing the Lamp

Replacing the lamp can be hazardous if done incorrectly. See *Replacing the Projection Lamp* on page 33 for clear and safe instructions for this procedure. Before replacing the lamp:

- Unplug the power cord.
- Allow the lamp to cool for about one hour.

Cleaning the Projector

- Unplug the power cord before cleaning. See *Cleaning the Projector* on page 36.
- Allow the lamp to cool for about one hour.

Regulatory Warnings

Before installing and using the projector, read the regulatory notices in the *Regulatory Compliance* section on page 47.

Important Recycle Instructions:



Lamp(s) inside this product contain mercury. This product may contain other electronic waste that can be hazardous if not disposed of properly. Recycle or dispose in accordance with local, state, or federal Laws. For more information, contact the Electronic Industries Alliance at www.eiae.org. For lamp specific disposal information check www.lamperecycle.org.

Symbol Explanations



DISPOSAL: Do not use household or municipal waste collection services for disposal of electrical and electronic equipment. EU countries require the use of separate recycling collection services.

About this Manual

This manual is intended for end users and describes how to install and operate the DLP projector. Wherever possible, relevant information—such as an illustration and its description—has been kept on one page. This printer-friendly format is both for your convenience and to help save paper, thereby protecting the environment. It is suggested that you only print sections that are relevant to your needs.

Table of Contents

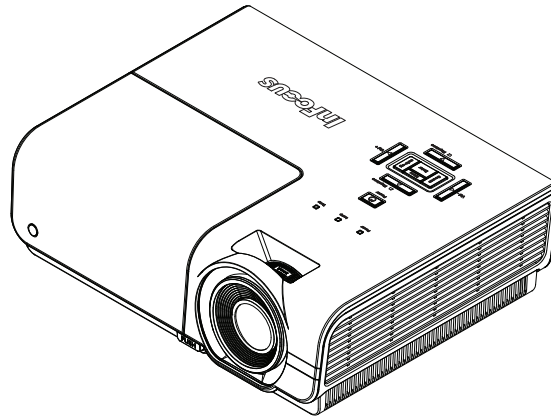
GETTING STARTED.....	1
PACKING CHECKLIST.....	1
VIEWS OF PROJECTOR PARTS.....	2
<i>Front-right View</i>	2
<i>Top view—On-screen Display (OSD) buttons and LEDs</i>	3
<i>Rear view</i>	4
<i>Bottom view</i>	5
REMOTE CONTROL PARTS.....	6
SETUP AND OPERATION.....	8
INSERTING THE REMOTE CONTROL BATTERIES.....	8
STARTING AND SHUTTING DOWN THE PROJECTOR.....	9
ADJUSTING THE PROJECTOR LEVEL.....	10
ADJUSTING THE ZOOM RING, FOCUS AND KEYSTONE.....	11
ADJUSTING THE VOLUME.....	12
ON-SCREEN DISPLAY (OSD) MENU SETTINGS.....	13
OSD MENU CONTROLS.....	13
<i>Navigating the OSD</i>	13
SETTING THE OSD LANGUAGE.....	14
OSD MENU OVERVIEW.....	15
PICTURE>>BASIC MENU.....	16
PICTURE>>ADVANCED MENU.....	17
<i>HSG Adjustment</i>	18
DISPLAY MENU.....	19
<i>PC Detail Adjustment</i>	20
SETUP>>BASIC MENU.....	21
<i>Menu Settings</i>	22
<i>Source</i>	22
<i>Lan Control Settings</i>	23
<i>Network State</i>	24
SETUP>>ADVANCED MENU.....	28
<i>Audio</i>	29
<i>Lamp</i>	29
<i>HDMI</i>	30
<i>Closed Caption</i>	30
<i>Presentation Timer</i>	31
STATUS MENU.....	32
MAINTENANCE AND SECURITY.....	33
REPLACING THE PROJECTION LAMP.....	33
CLEANING THE PROJECTOR.....	36
<i>Cleaning the Lens</i>	36
<i>Cleaning the Case</i>	36
TROUBLESHOOTING.....	37
COMMON PROBLEMS AND SOLUTIONS.....	37
TIPS FOR TROUBLESHOOTING.....	37
LED ERROR MESSAGES.....	38
IMAGE PROBLEMS.....	38
LAMP PROBLEMS.....	39
REMOTE CONTROL PROBLEMS.....	39
AUDIO PROBLEMS.....	40
HAVING THE PROJECTOR SERVICED.....	40
HDMI Q & A.....	41
SPECIFICATIONS.....	42
SPECIFICATIONS.....	42

PROJECTION DISTANCE VS. PROJECTION SIZE.....	43
<i>Projection Distance and Size Table</i>	43
TIMING MODE TABLE.....	44
PROJECTOR DIMENSIONS.....	46
REGULATORY COMPLIANCE.....	47
FCC WARNING.....	47
CANADA.....	47
WEEE.....	47
SAFETY CERTIFICATIONS.....	47

GETTING STARTED

Packing Checklist

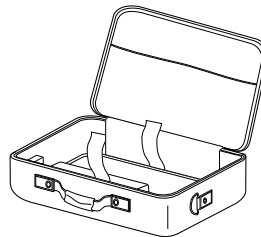
Carefully unpack the projector and check that the following items are included:



DLP PROJECTOR



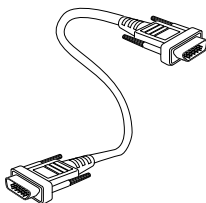
*REMOTE CONTROL
(BATTERIES NOT INCLUDED)*



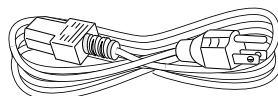
CARRY CASE



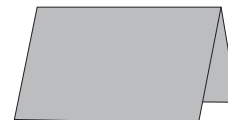
*CD-ROM
(THIS USER’S MANUAL)*



VGA CABLE



*POWER CORD
(VARIES PER COUNTRY)*



REGISTRATION CARD



SAFETY BOOKLET



QUICK START GUIDE



WARRANTY BOOKLET

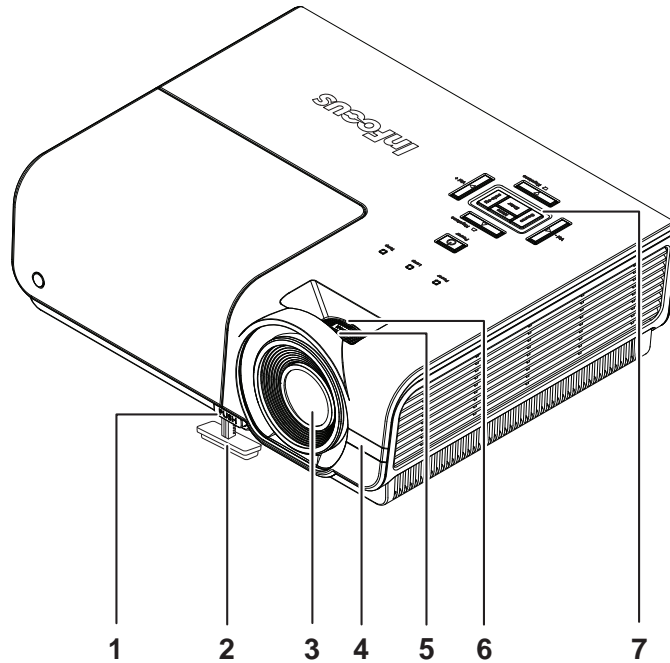
Contact your dealer immediately if any items are missing, appear damaged, or if the unit does not work. It is recommend that you keep the original packing material should you ever need to return the equipment for warranty service.

Caution:

Avoid using the projector in dusty environments.

Views of Projector Parts

Front-right View

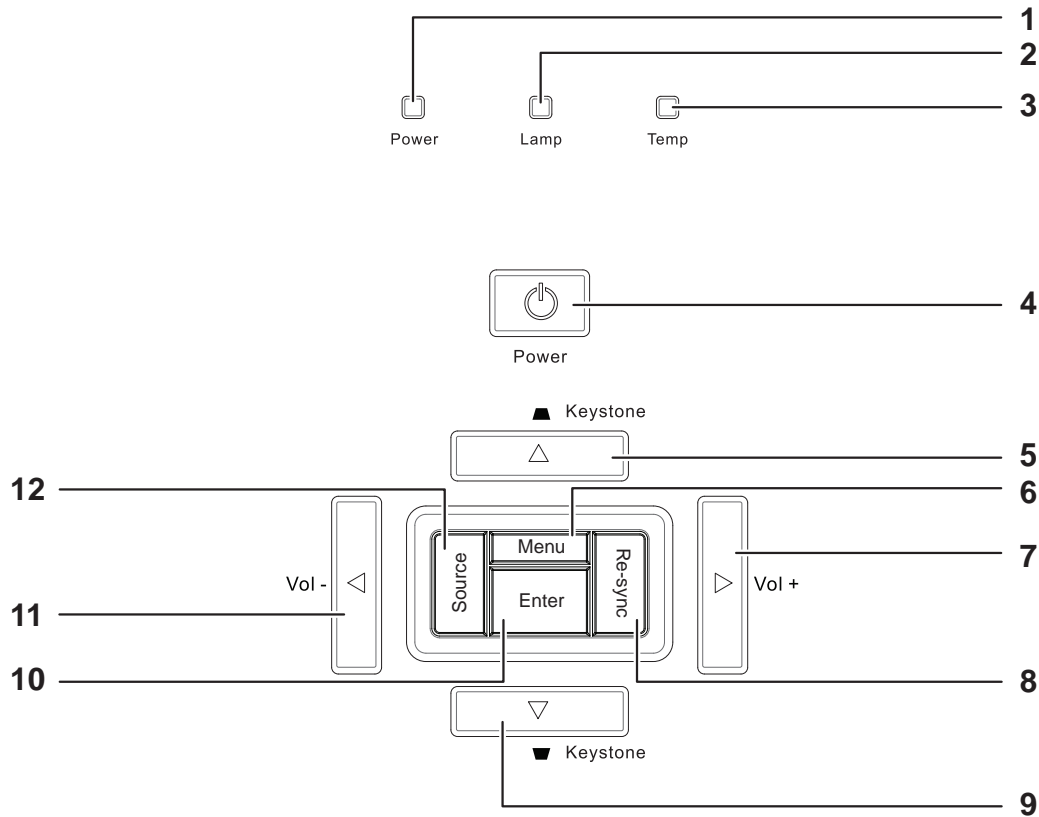


ITEM	LABEL	DESCRIPTION	SEE PAGE:
1.	Elevator button	Push to release elevator foot	10
2.	Elevator foot	Adjusts level of projector	
3.	Lens	Projection Lens	
4.	IR receiver	Receives the remote control IR signal	6
5.	Focus ring	Focuses the projected image	11
6.	Zoom ring	Enlarges the projected image	
7.	Function keys	See Top view—On-screen Display (OSD) buttons and LEDs.	3

Important:

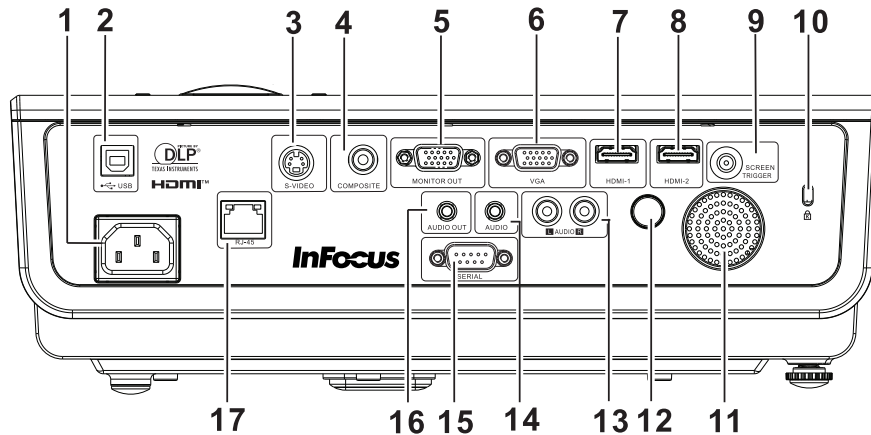
Ventilation openings on the projector allow for good air circulation, which keeps the projector lamp cool. Do not obstruct any of the ventilation openings.

Top view—On-screen Display (OSD) buttons and LEDs



ITEM	LABEL	DESCRIPTION		SEE PAGE:
1.	Power LED	Solid Green	Power On / Standby	
		Off	Power Off (AC Off)	
2.	Lamp LED	Solid Red	The lamp is powered on.	
		Flashing Red	The lamp is warming up or cooling down. (see <i>LED Error Messages</i> on page 38)	
3.	Temp LED	Solid Red	Error code (see <i>LED Error Messages</i> on page 38)	
4.	(Power button)	Turn the projector On or Off.		9
5.	▲ (Up cursor) / ▲ Keystone	Navigate the OSD Quick Menu – For Keystone		13
6.	Menu	Open and exit OSD menus		
7.	▶ (Right cursor) / Vol+	Navigate and change settings in the OSD Quick Menu – For Volume		
8.	Re-sync	Optimize image size, position, and resolution		
9.	▼ (Down cursor) / ▼ Keystone	Navigate the OSD Quick Menu – For Keystone		13
10.	Enter	Enter or confirm highlighted OSD menu item		
11.	◀ (Left cursor) / Vol-	Navigate and change settings in the OSD Quick Menu – For Volume		
12.	Source	Enter the Source menu		4

Rear view

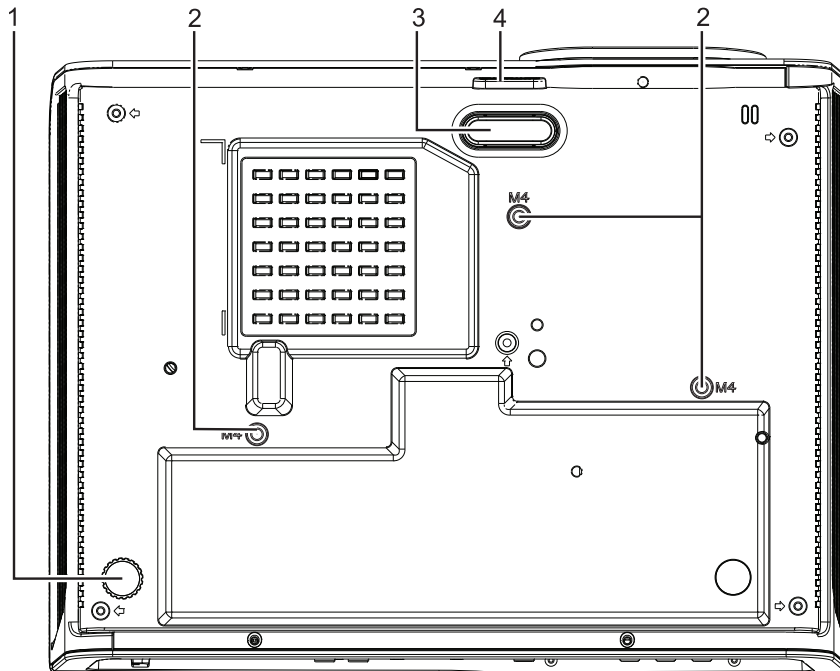


ITEM	LABEL	DESCRIPTION	SEE PAGE:
1.	AC IN	Connect the POWER CABLE	9
2.	(USB)	Connect the USB CABLE from a computer (used for presentation slide control with the projector remote)	
3.	S-VIDEO IN	Connect the S-VIDEO CABLE from a video device	
4.	VIDEO IN	Connect the COMPOSITE CABLE from a video device	
5.	VGA OUT	Connect the RGB CABLE to an external monitor	
6.	VGA IN	Connect the RGB CABLE from a computer	
7.	HDMI – 1	Connect the HDMI CABLE from an HDMI device	
8.	HDMI – 2	Connect the HDMI CABLE from an HDMI device	
9.	DC 12V TRIGGER	Connect a 12V screen trigger (200ma max)	
10.	Security Lock	Secure to permanent object with a security lock system	
11.	Speaker	Outputs the projector audio	
12.	IR receiver	Receives the remote control IR signal	6
13.	AUDIO IN (L and R)	Connect the AUDIO CABLES from an input device	
14.	AUDIO IN	Connect an AUDIO CABLE from an input device	
15.	RS-232C	Connect RS-232 serial port cable for command control	
16.	AUDIO OUT	Connect an AUDIO CABLE to external speaker system	
17.	RJ – 45	Connect a LAN CABLE for networking purposes	

Note:
 If your video equipment has various input sources, it is recommended to connect in priority of HDMI, component, S-Video, Composite for better picture quality.

Warning:
 As a safety precaution, disconnect all power to the projector and connecting devices before making connections.

Bottom view



ITEM	LABEL	DESCRIPTION	SEE PAGE:
1.	Leveling foot	Rotate leveling foot to adjust angle position.	10
2.	Ceiling support holes	Only use with an InFocus ceiling mount system (p/n PRJ-MNT-UNIV). See your InFocus dealer or go to www.infocusstore.com .	
3.	Elevator foot	Elevator foot drops down when elevator button is pushed.	10
4.	Elevator button	Push to release elevator foot.	

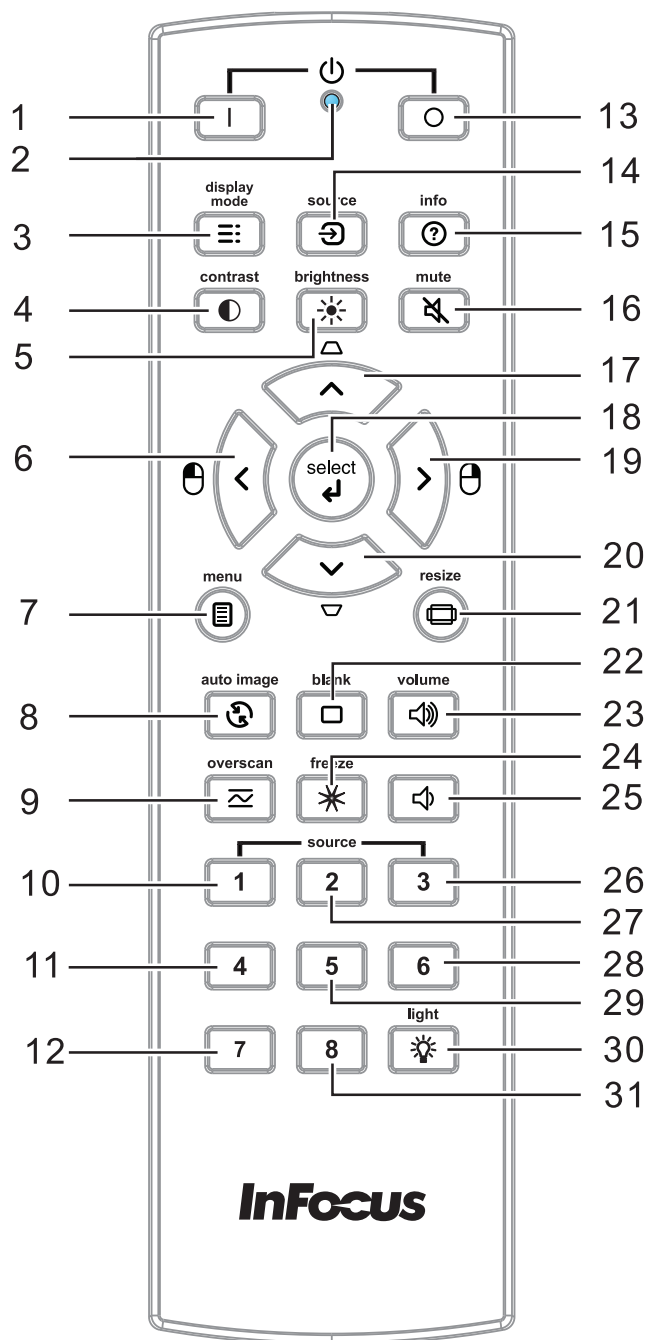
Note:

When installing, ensure that you use only UL Listed ceiling mounts.

For ceiling installations, use approved mounting hardware and M4 screws with a maximum screw depth of 12 mm (0.47inch).

The construction of the ceiling mount must be of a suitable shape and strength. The ceiling mount load capacity must exceed the weight of the installed equipment, and as an additional precaution be capable of withstanding three times the weight of the equipment (not less than 5.15 kg) over a period of 60 seconds.

Remote Control Parts



Important:

1. Avoid using the projector with bright fluorescent lighting turned on. Certain high-frequency fluorescent lights can disrupt remote control operation.

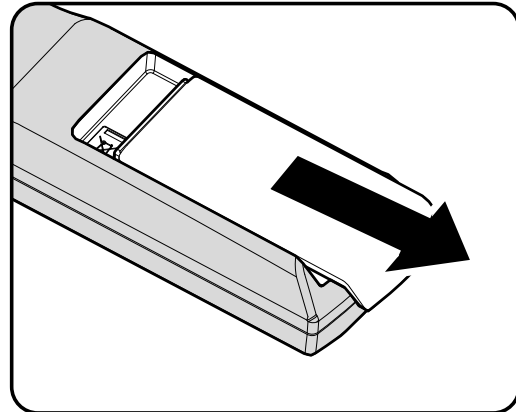
2. Be sure nothing obstructs the path between the remote control and the projector. If the path between the remote control and the projector is obstructed, you can bounce the signal off certain reflective surfaces such as projector screens.

3. The buttons and keys on the projector have the same functions as the corresponding buttons on the remote control. This user's manual describes the functions based on the remote control.

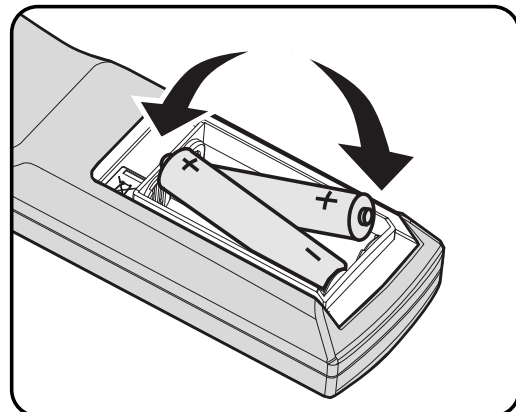
ITEM	LABEL	DESCRIPTION	SEE PAGE:
1.	Power ON	Turn the projector on	9
2.	LED indicator	Only lights when the remote keys are pressed	
3.	Display Mode	Choose a suitable preset mode for usage environment	
4.	Contrast	Display the Contrast setting bar and use the right and left keys to adjust	
5.	Brightness	Display the Brightness setting bar and use the right and left keys to adjust.	
6.	Left cursor	When the OSD is displayed, this button navigates to the left. When USB has been connected to the projector and PC, the previous presentation slide is displayed	13
7.	Menu	Display the OSD menu	
8.	Auto image	Re-synchronize the PC image	
9.	Overscan	Adjust overscan	
10.	Source-1	VGA	
11.	Source-4	S-Video	
12.	Source-7	NA	
13.	Power OFF	Turn the projector off	9
14.	Source	Display the source menu	
15.	Info	Display projector information	
16.	Mute	Mute the audio	
17.	Up cursor / Keystone+	When the OSD is displayed, this button navigates up the menu. Otherwise it adjusts keystone	13
18.	Select	Enter and confirm settings in the OSD	
19.	Right cursor	When the OSD is displayed, this button navigates to the right. When USB has been connected to the projector and PC, the next presentation slide is displayed	
20.	Down cursor / Keystone -	When the OSD is displayed, this button navigates down the menu. Otherwise it adjusts keystone	
21.	Resize	Change the image aspect ratio	
22.	Blank	Blank the screen	
23.	Volume+	Increase the volume	
24.	Freeze	Freeze video	
25.	Volume-	Decrease the volume	
26.	Source-3	HDMI 2	
27.	Source-2	HDMI 1	
28.	Source-6	NA	
29.	Source-5	Composite	
30.	Light	Turn the remote control backlight on or off	
31.	Source-8	NA	

Inserting the Remote Control Batteries

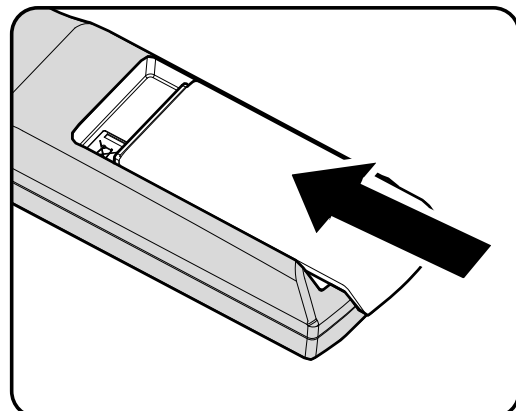
1. Remove the battery compartment cover by sliding the cover in the direction of the arrow.



2. Insert the batteries (not included) as shown in the illustration.



3. Replace the cover.



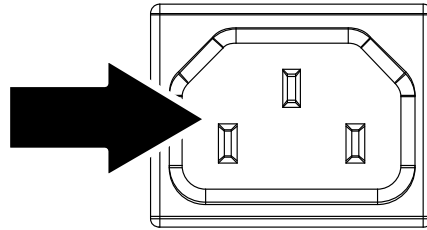
Caution:

1. Only use AA batteries (Alkaline batteries are recommended).
2. Dispose of used batteries according to local ordinance regulations.
3. Remove the batteries when not using the projector for prolonged periods.



Starting and Shutting down the Projector

1. Connect the power cord to the projector. Connect the other end to a wall outlet.

The  **POWER** LED will be on.



2. Turn on the connected devices.

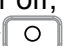

3. Ensure the  **POWER** LED displays a solid green. Then press the Power ON button on the projector keypad or remote ().

The projector splash screen displays and connected devices are detected.

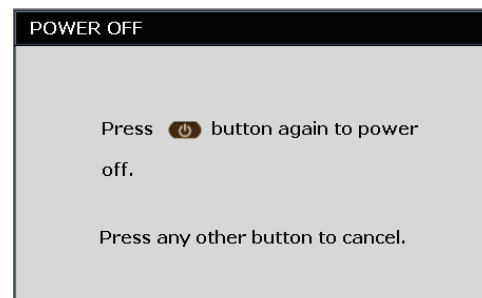


4. If more than one input device is connected, press the **SOURCE** button and use **▲▼** to scroll among devices.

- VGA : Analog RGB
- HDMI 1/2: High Definition Multimedia Interface
- S-Video: Super video (Y/C separated)
- Video: Traditional composite video

5. To turn the projector off, press the Power OFF button (). on the projector keypad or remote. When the POWER OFF window appears, press the Power OFF button () again.

The projector turns off.



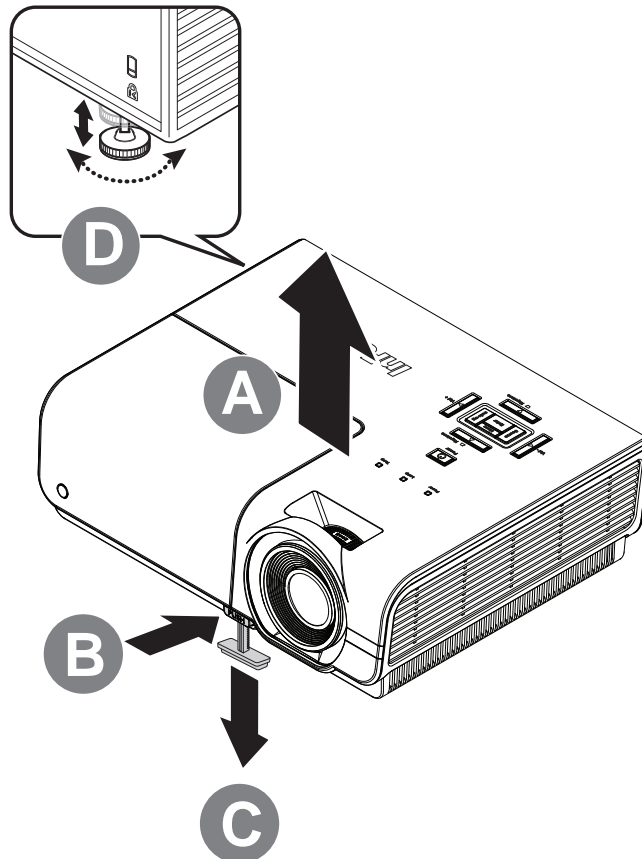
Caution:

Do not unplug the power cord until the LAMP LED stops flashing—indicating the projector has cooled down.

Adjusting the Projector Level

Take note of the following when setting up the projector:

- *The projector table or stand should be level and sturdy.*
- *Position the projector so that it is perpendicular to the screen.*
- *Remove and discard the foam spacer on the rear leveling foot before adjusting the projection angle.*
- *Ensure the cables are in a safe location. You could trip over them.*

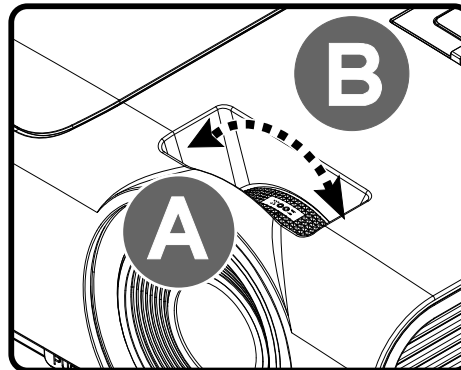


- 1.** To raise the level of the projector, lift the projector **[A]** and press the elevator button **[B]**.

The elevator foot drops down **[C]**.
- 2.** To lower the level of the projector, press the elevator button and push down on the top of the projector.
- 3.** To adjust the angle of the picture, turn the leveling foot **[D]** right or left until the desired angle has been achieved.

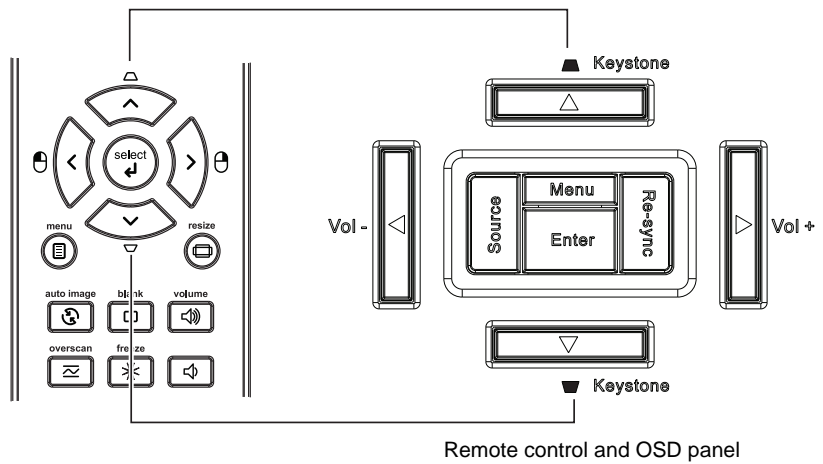
Adjusting the Zoom ring, Focus and Keystone

1. Use the **Zoom** control (on the projector only) to resize the projected image and screen size **B**.



2. Use the **Focus** control (on the projector only) to sharpen the projected image **A**.

3. Use the **KEYSTONE** buttons (on the projector or the remote control) to correct image trapezoiding (wider top or bottom).



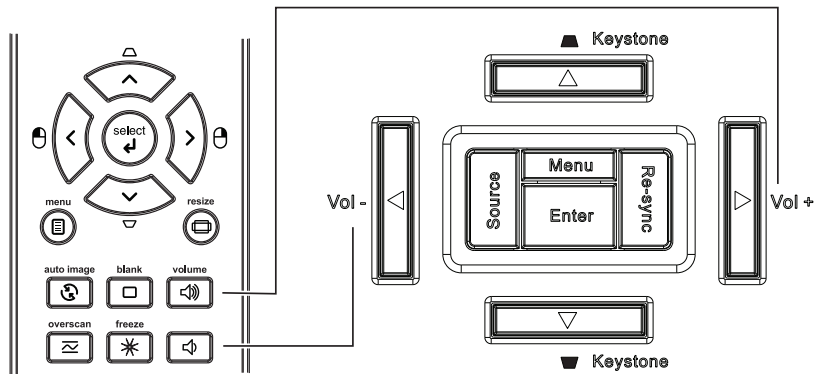
4. The keystone control appears on the display.



Adjusting the Volume

1. Press the **Volume** buttons (on the projector or the remote control).

The volume control appears on the display.



2. Use the **Vol +/-** buttons (on the projector or the remote control).



3. Press the **MUTE** button to turn off the audio (This feature is available only on the remote).



ON-SCREEN DISPLAY (OSD) MENU SETTINGS

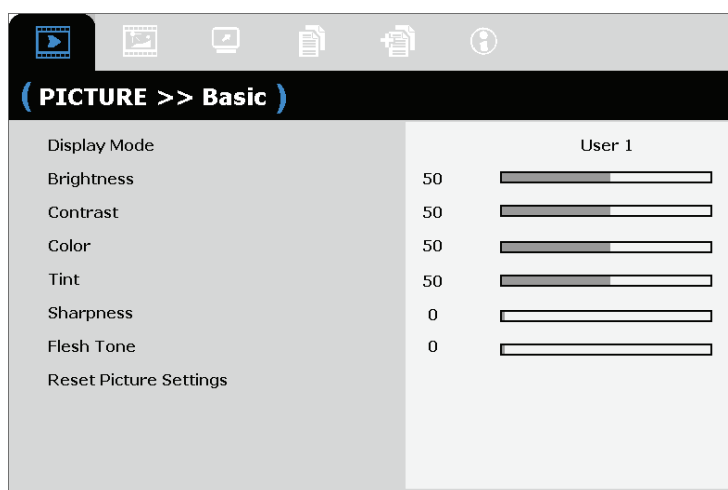
OSD Menu Controls

The projector has an OSD that lets you make image adjustments and change various settings.

Navigating the OSD

You can use the remote control cursor buttons or the projector keypad to navigate and make changes to the OSD.

1. To enter the OSD, press the **MENU** button.
2. There are six menus. Press the cursor ◀▶ button to move through the menus.
3. Press the cursor ▲▼ button to move up and down in a menu.
4. Press ◀▶ to change values for settings.
5. Press **MENU** to close the OSD or leave a sub menu.



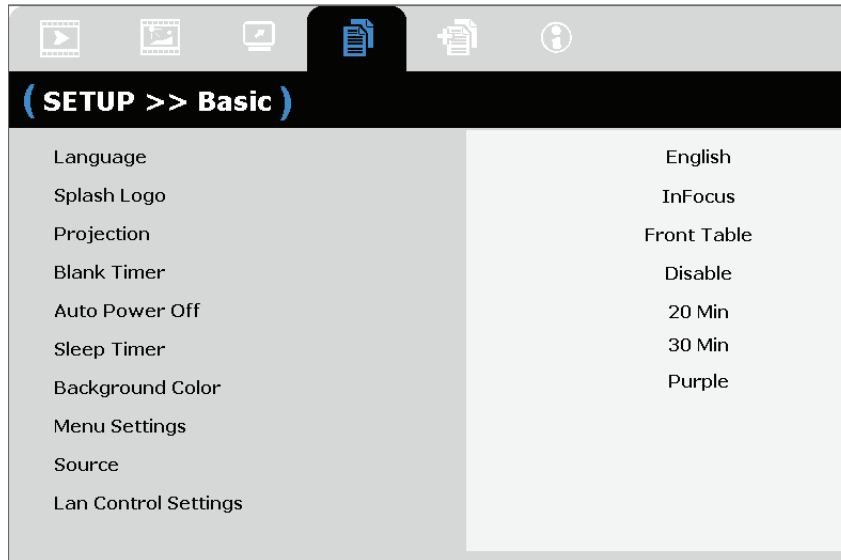
Note:

Depending on the video source, not all items in the OSD are available. For example, the **PC Detail Adjustment** item in the **PICTURE>>Basic** menu can only be modified when connected to a PC. Items that are not available cannot be accessed and are grayed out.

Setting the OSD Language

Set the OSD language to your preference before continuing.

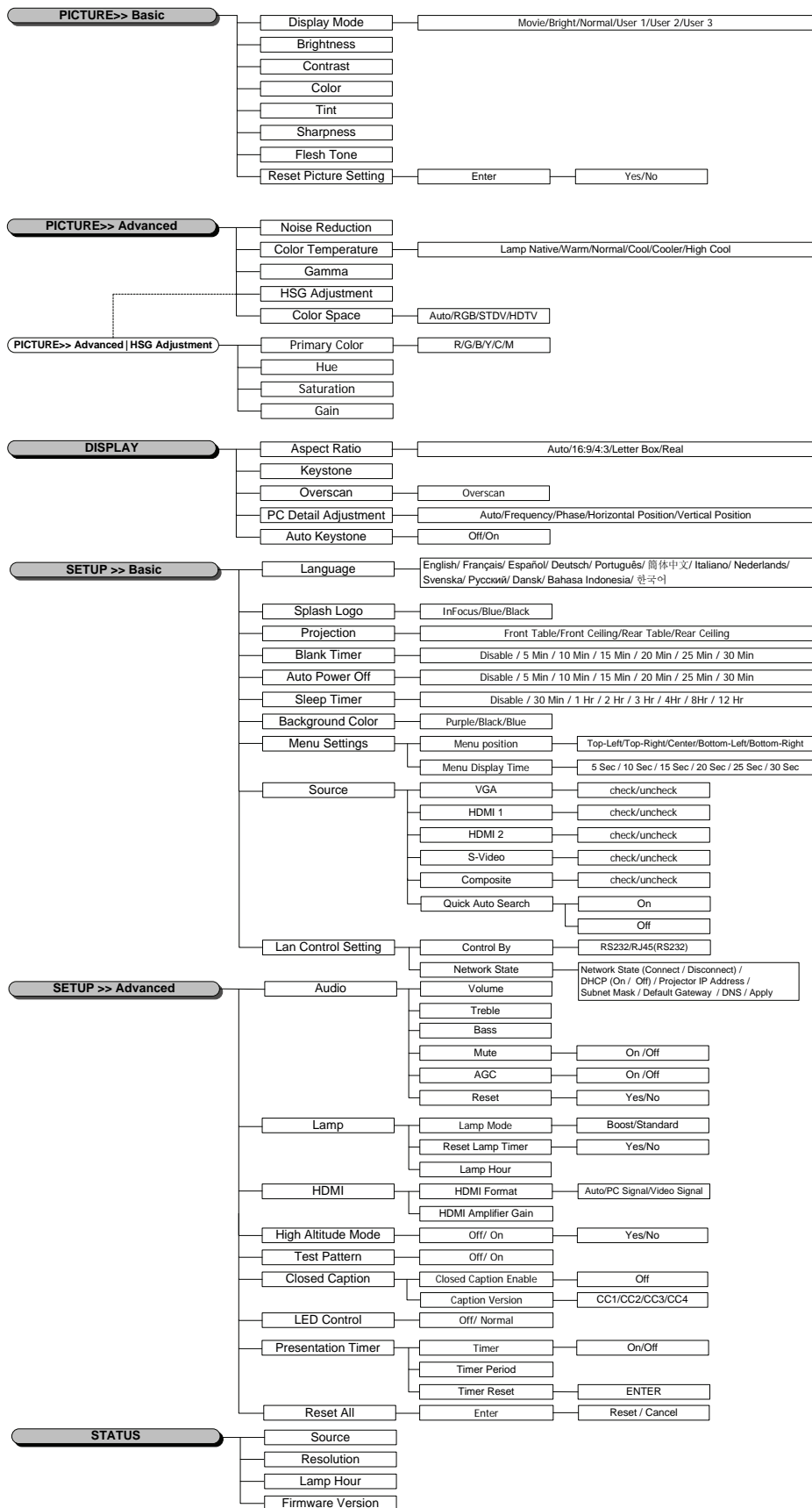
1. Press the **MENU** button. Press the cursor ◀▶ button to navigate to **SETUP>>Basic**.



2. Press the cursor ▲▼ button until **Language** is highlighted.
3. Press the cursor ◀▶ button until the language you want is selected.
4. Press the **MENU** button to close the OSD.

OSD Menu Overview

Use the following illustration to quickly find a setting or determine the range for a setting.

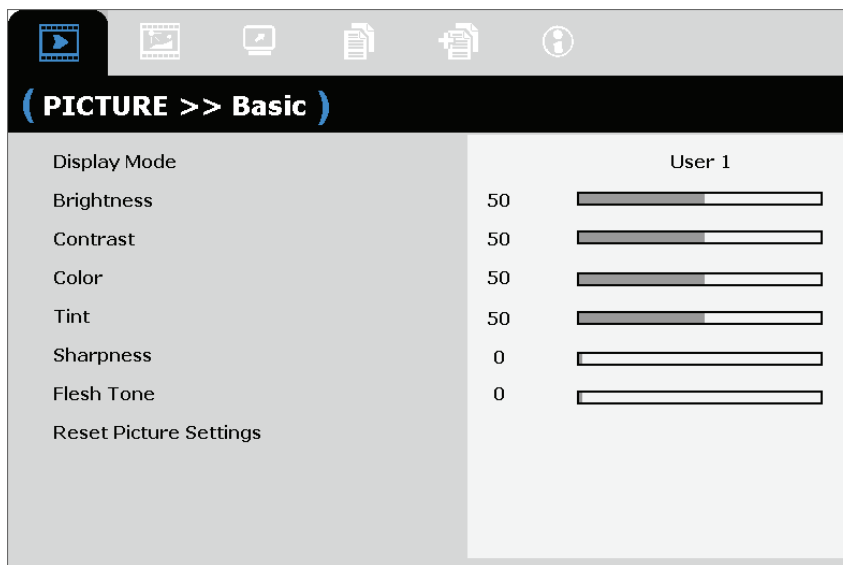


PICTURE>>Basic Menu

Press the **MENU** button to open the **OSD** menu. Press the cursor **◀▶** button to move to the **PICTURE>>Basic** menu. Press the cursor **▲▼** button to move up and down in the **PICTURE>>Basic** menu. Press **◀▶** to change values for settings.

Note:

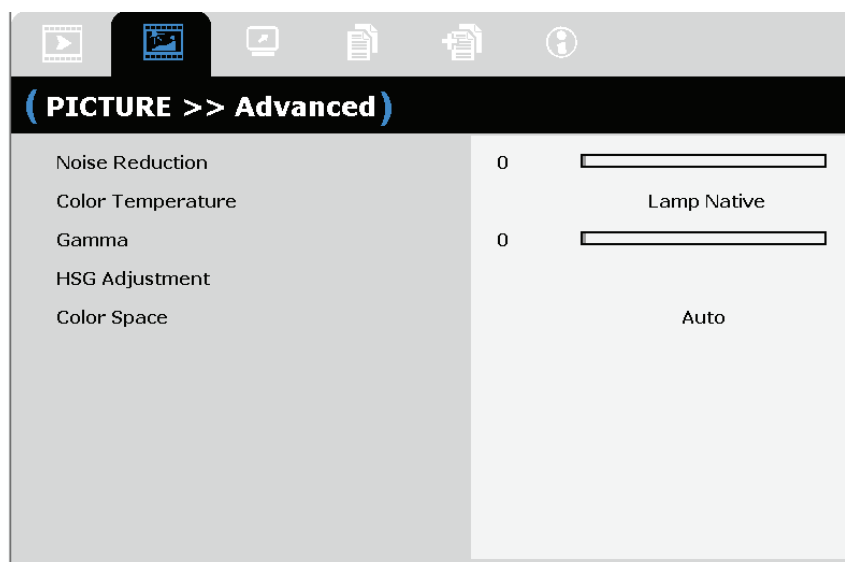
Customizing the settings in **PICTURE>>Basic** menu is only available in User 1/2/3 mode.



ITEM	DESCRIPTION
Display Mode	Press the cursor ◀▶ buttons to set the Display Mode. (Range: Movie/ Bright/ Normal/ User 1/ User 2/ User 3)
Brightness	Press the cursor ◀▶ buttons to adjust the display brightness.
Contrast	Press the cursor ◀▶ buttons to adjust the display contrast.
Color	Press the cursor ◀▶ buttons to adjust the video saturation. Notes: This function is only available when Video or S-Video input source is selected.
Tint	Press the cursor ◀▶ buttons to adjust the video tint/hue. Notes: This function is only available when Video or S-Video with NTSC system input source is selected.
Sharpness	Press the cursor ◀▶ buttons to adjust the display sharpness. Notes: This function is only available when Video or S-Video input source is selected.
Flesh Tone	Press the cursor ◀▶ buttons to adjust the display flesh tone. Notes: This function is only available when Video or S-Video input source is selected.
Reset Picture Settings	Press the ENTER/SELECT button to reset all settings to default values.

PICTURE>>Advanced Menu

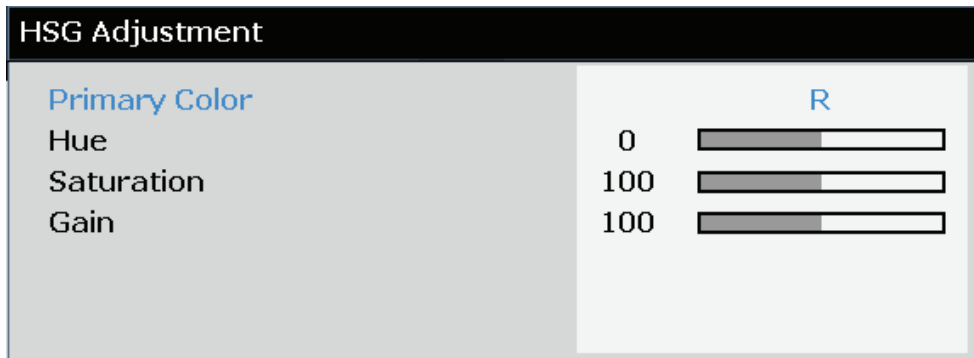
Press the **MENU** button to open the **OSD** menu. Press the cursor ◀▶ button to move to the **PICTURE>>Advanced** menu. Press the cursor ▲▼ button to move up and down in the **PICTURE>>Advanced** menu. Press ◀▶ to change values for settings.



ITEM	DESCRIPTION
Noise Reduction	Press the cursor ◀▶ button to adjust the Noise Reduction.
Color Temperature	Press the cursor ◀▶ button to set the Color Temperature.
Gamma	Press the cursor ◀▶ button to adjust the gamma correction of the display. Notes: This function is only available in User 1/ 2/ 3 mode.
HSG Adjustment	Press the ENTER/SELECT button to enter the HSG (Hue/Saturation/Gain) Adjustment sub menu. See <i>HSG Adjustment</i> on page 18.
Color Space	Press the cursor ◀▶ button to set the Color Space. (Range: Auto/ RGB/ SDTV/ HDTV) Notes: This function is only available when HDMI input source is selected.

HSG Adjustment

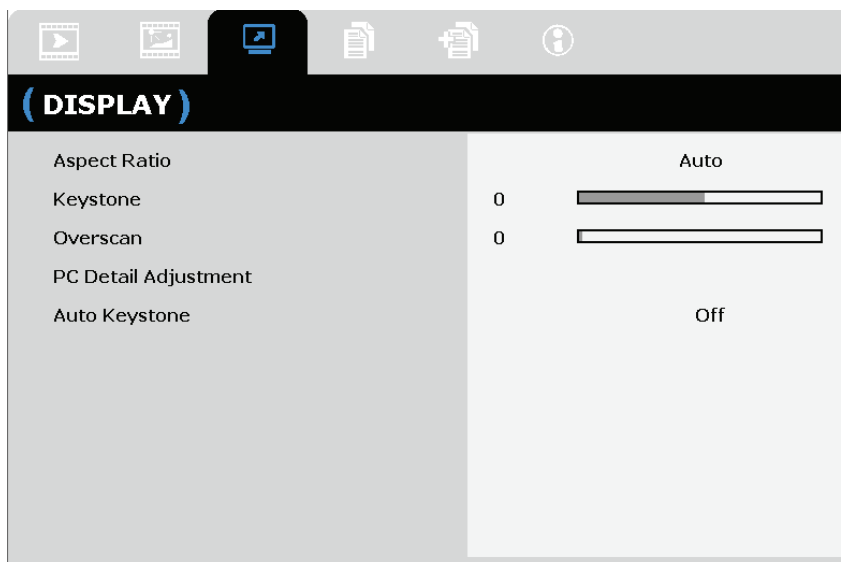
Press the **ENTER/SELECT** button to enter the **HSG Adjustment** sub menu.



ITEM	DESCRIPTION
Primary Color	Press the ◀▶ buttons to set the Primary Color. Notes: There are six colors (R/ G/ B/ C/ M/ Y) to be customized.
Hue	Press the ◀▶ buttons to adjust the Hue.
Saturation	Press the ◀▶ buttons to adjust the Saturation.
Gain	Press the ◀▶ buttons to adjust the Gain.

DISPLAY Menu

Press the **MENU** button to open the **OSD** menu. Press the cursor ◀▶ button to move to the **DISPLAY** menu. Press the cursor ▲▼ button to move up and down in the **DISPLAY** menu. Press ◀▶ to change values for settings.



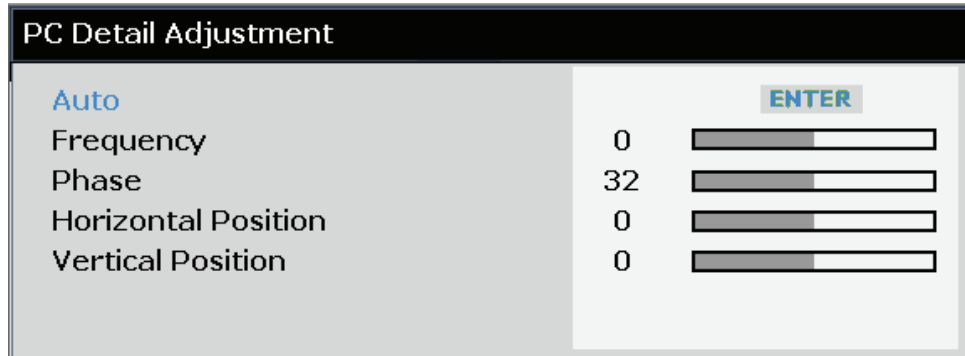
ITEM	DESCRIPTION
Aspect Ratio	Press the cursor ◀▶ button to set the Aspect Ratio. (Range: Auto / 16:9/ 4:3/ Letter Box/ Real)
Keystone	Press the cursor ◀▶ button to adjust the Keystone. Notes: This function is available when the Auto Keystone function is turned off.
Overscan	Press the cursor ◀▶ button to adjust the Overscan.
PC Detail Adjustment	Press the ENTER/SELECT button to enter the PC Detail Adjustment sub menu. See <i>PC Detail Adjustment</i> on page 20.
Auto Keystone	Press the cursor ◀▶ button to turn on or off the Auto Keystone. Notes: When Auto Keystone is on, the projector will automatically adjust the Keystone.

PC Detail Adjustment

Press the **ENTER/SELECT** button to enter the **PC Detail Adjustment** sub menu.

Note:

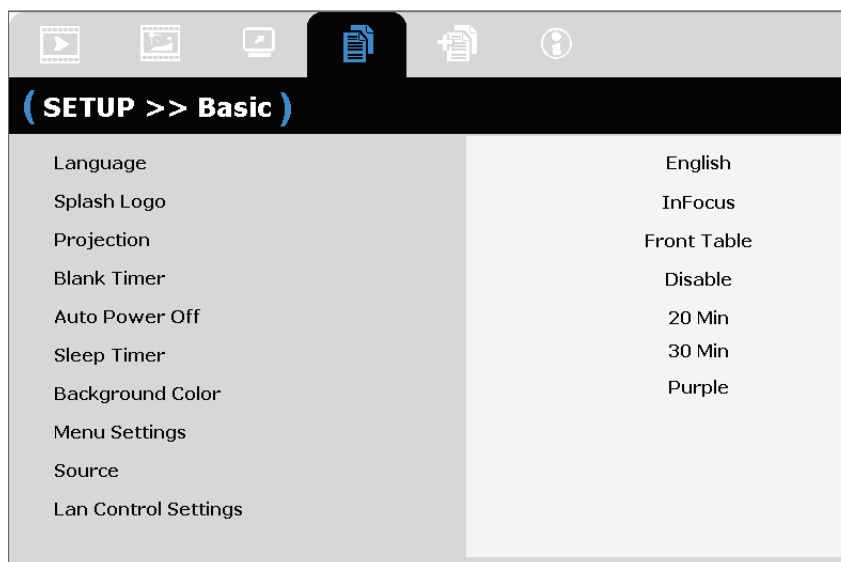
Customizing the settings in **PC Detail Adjustment** menu is only available when PC input source (analog RGB) is selected.



ITEM	DESCRIPTION
Auto	Press the RE-SYNC button on the projector keypad or the AUTO IMAGE button on the remote control to automatically adjust frequency, phase, and position.
Frequency	Press the ◀▶ buttons to adjust the A/D sampling number.
Phase	Press the ◀▶ buttons to adjust the A/D sampling clock.
Horizontal Position	Press the ◀▶ buttons to adjust the display position right or left.
Vertical Position	Press the ◀▶ buttons to adjust the display position up or down.

SETUP>>Basic Menu

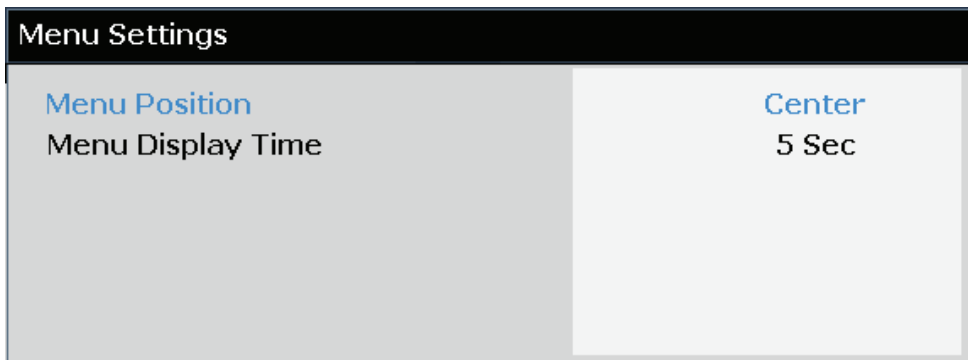
Press the **MENU** button to open the **OSD** menu. Press the cursor ◀▶ button to move to the **SETUP>>Basic** menu. Press the cursor ▲▼ button to move up and down in the **SETUP>>Basic** menu. Press ◀▶ to change values for settings.



ITEM	DESCRIPTION
Language	Press the cursor ◀▶ buttons to select a different localization menu. (Range: English/ Français/ Español/ Deutsch/ Português/ 简体中文/ Italiano/ Nederlands/ Svenska/ Русский/ Dansk/ Bahasa Indonesia/ 한국어)
Splash Logo	Press the cursor ◀▶ buttons to select a different startup screen. (Range: InFocus / Blue/ Black)
Projection	Press the cursor ◀▶ buttons to choose from four projection methods: Front Table / Front Ceiling/ Rear Table/ Rear Ceiling.
Blank Timer	Press the cursor ◀▶ buttons to set the Blank Screen timer. The projected image is automatically restored after the set time. (Range: Disable / 5 min/ 10 min/ 15 min/ 20 min/ 25 min/ 30 min)
Auto Power Off	Press the cursor ◀▶ buttons to set the Auto Power Off timer. The projector automatically turns off if no input source is detected after the preset period of time. (Range: Disable / 5 min/ 10 min/ 15 min/ 20 min/ 25 min/ 30 min)
Sleep Timer	Press the cursor ◀▶ buttons to set Sleep timer. The projector automatically turns off after the preset period of time. (Range: Disable / 30 min/ 1hr/ 2hr/ 3hr/ 4hr/ 8hr/ 12hr)
Background Color	Press the cursor ◀▶ buttons to select the background color when no input source is detected. (Range: Purple/ Black/ Blue)
Menu Settings	Press the ENTER/SELECT button to enter the Menu Settings sub menu. See <i>Menu Settings</i> on page 22.
Source	Press the ENTER/SELECT button to enter the Source sub menu. See <i>Source</i> on page 22.
Lan Control Settings	Press the ENTER/SELECT button to enter the Lan Control Settings sub menu. See <i>Lan Control Settings</i> on page 23.

Menu Settings

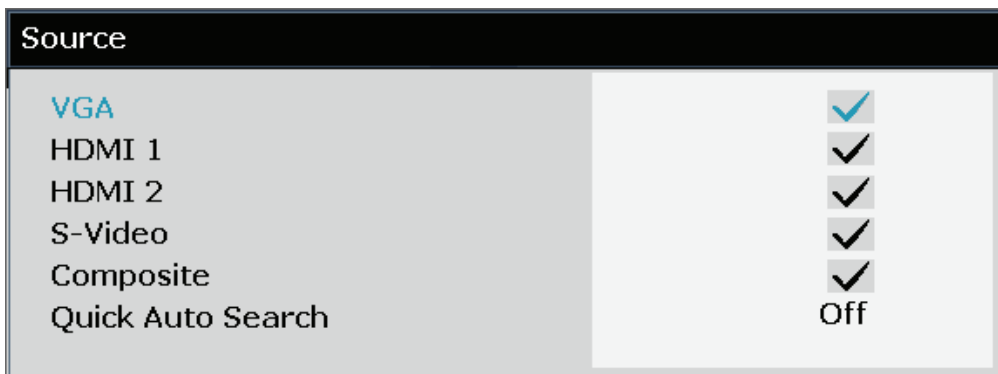
Press the **ENTER/SELECT** button to enter the **Menu Settings** sub menu.



ITEM	DESCRIPTION
Menu Position	Press the ◀▶ buttons to select from five OSD locations: Top-Left/ Top-Right/ Center / Bottom-Left/ Bottom-Right.
Menu Display Time	Press the ◀▶ buttons to set the Menu Display timer before the OSD times out. (Range: 5sec/ 10sec/ 15sec / 20sec/ 25sec/ 30sec)

Source

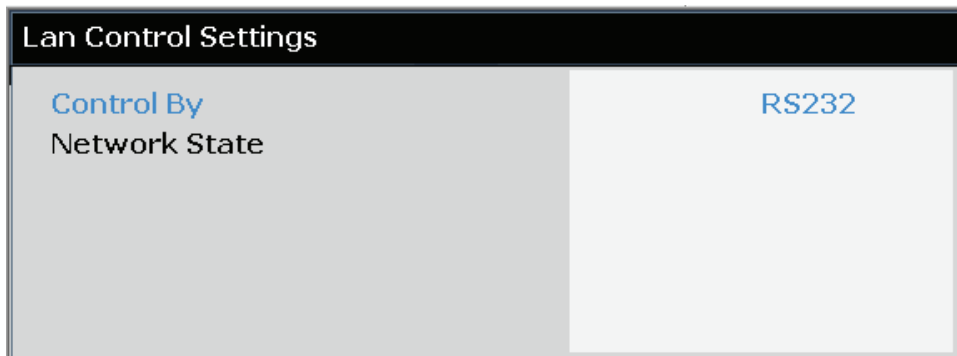
Press the **ENTER/SELECT** button to enter the **Source** sub menu.



ITEM	DESCRIPTION
VGA	Press the ◀▶ buttons to enable or disable the VGA source.
HDMI 1	Press the ◀▶ buttons to enable or disable the HDMI source.
HDMI 2	
S-Video	Press the ◀▶ buttons to enable or disable the S-Video source.
Composite	Press the ◀▶ buttons to enable or disable the Composite source.
Quick Auto Search	Press the ◀▶ buttons to enable or disable Quick Auto Search for available input source. Notes: When the desired source is selected, the Quick Auto Search function will be turned off.

Lan Control Settings

Press the **ENTER/SELECT** button to enter the **Lan Control Settings** sub menu.



ITEM	DESCRIPTION
Control By	<p>Press the ◀▶ buttons to select projector remote command control. Selecting RJ45 enables RJ45 control and disables the RS232 port. Selecting RS232 enables RS232 control and disables the RJ45 network port. When RS232 control is enabled, the serial port settings are fixed to: 9600 Baud;8-bits;No parity;1 Stop-bit;No flow control (Range: RS232/ RJ45)</p> <p>Note: this setting changes the standby power: RS232 = <1W (Default) RJ45 = <10W</p>
Network State	<p>Press the ENTER/SELECT button to enter the Network State sub menu. See <i>Network State</i> on page 24.</p>

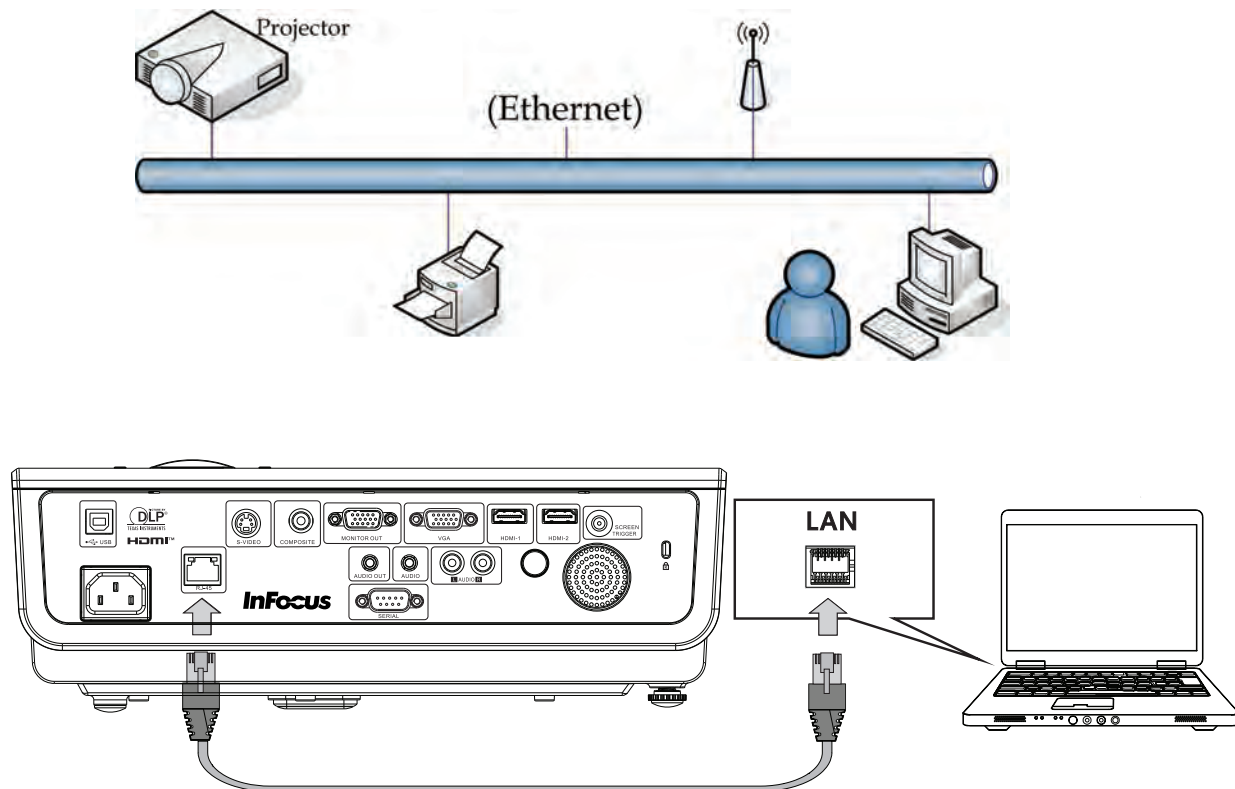
Network State

Network State	
Network State	Connect
DHCP	Off
Projector IP Address	10.10.10.10
Subnet Mask	255.255.255.0
Default Gateway	0.0.0.0
DNS	0.0.0.0
Apply	

ITEM	DESCRIPTION
Network State	Displays the network connection status.
DHCP	Press ◀▶ to turn DHCP On or Off. Note: If you select DHCP Off, complete the IP Address, Subnet Mask, Gateway, and DNS fields.
Projector IP Address	Enter a valid IP address if DHCP is turned off.
Subnet Mask	Enter a valid Subnet Mask if DHCP is turned off.
Default Gateway	Enter the default Gateway address on the network.
DNS	Enter a valid DNS name if DHCP is turned off.
Apply	Press ◀ (ENTER/SELECT) / ▶ to confirm settings.

For simplicity and ease of operation, the projector provides diverse networking and remote management features.

The LAN/RJ45 feature allows the projector to be connected to a network and remotely managed. Available remote management controls include: Power On/Off, Video-Source, Brightness and Contrast settings, Sound-Mute, etc.

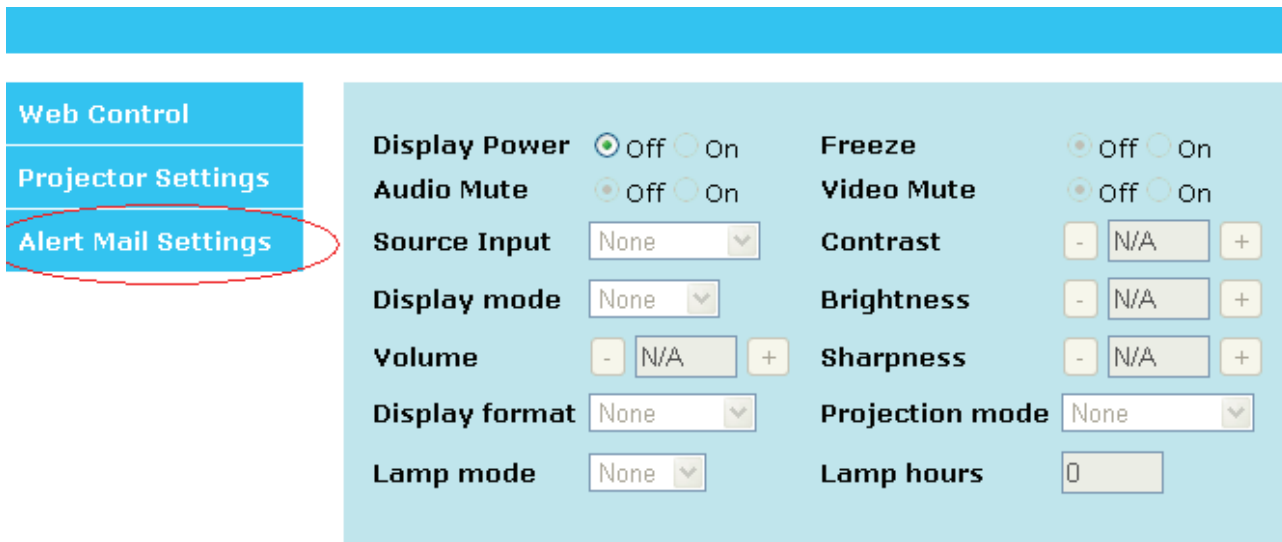


Enter the Projector IP address shown in the Setup >> Basic >> Lan Control Settings >> Network State menu. Note: DHCP must be on. The LAN/RJ45 Web Control window displays as follows:

Web Control	
Projector Settings	
Alert Mail Settings	
<p>Display Power <input checked="" type="radio"/> Off <input type="radio"/> On</p> <p>Audio Mute <input checked="" type="radio"/> Off <input type="radio"/> On</p> <p>Source Input <input type="text" value="None"/> ▼</p> <p>Display mode <input type="text" value="None"/> ▼</p> <p>Volume - <input type="text" value="N/A"/> +</p> <p>Display format <input type="text" value="None"/> ▼</p> <p>Lamp mode <input type="text" value="None"/> ▼</p>	<p>Freeze <input checked="" type="radio"/> Off <input type="radio"/> On</p> <p>Video Mute <input checked="" type="radio"/> Off <input type="radio"/> On</p> <p>Contrast - <input type="text" value="N/A"/> +</p> <p>Brightness - <input type="text" value="N/A"/> +</p> <p>Sharpness - <input type="text" value="N/A"/> +</p> <p>Projection mode <input type="text" value="None"/> ▼</p> <p>Lamp hours <input type="text" value="0"/></p>

Preparing Email Alerts

1. Make sure that user can access the homepage of LAN RJ45 function by web browser (for example, Microsoft Internet Explorer v6.01/v8.0).
2. From the Homepage of LAN/RJ45, click **Alert Mail Settings**.



3. By default, these input boxes in **Alert Mail Settings** are blank.



4. For Sending alert mail, input the following:
 - ▶ The **SMTP** field is the mail server for sending out email (SMTP protocol). This is a required field.
 - ▶ The **To** field is the recipient's email address (for example, the projector administrator). This is a required field.
 - ▶ The **Cc** field sends a carbon copy of the alert to the specified email address. This is an optional field (for example, the projector administrator's assistant).

- ▶ The **From** field is the sender’s email address (for example, the projector administrator). This is a required field.
- ▶ Select the alert conditions by checking the desired boxes.

Web Control

Projector Settings

Alert Mail Settings

Send E-Mail

Enter the appropriate settings in the fields below:
(Your SMTP server may not require a user name or password.)

MAC Address: 00:18:23:03:03:38

SMTP Server: Port:

User Name:

Password:

From:

To:

CC:

E-mail Alert Options:

Fan lock : Over_Heat:

Case Open: Lamp Fail:

Lamp Hours Over:

Note: Fill in all fields as specified. Select the desired alert condition and click **Submit** to conduct an **Email Alert Test**. A successful test alerts the designated email accounts. To create an email alert, you must select alert conditions and enter a correct email address.

Group and **Name** identify the alerting projector and are located at the bottom of the alert mail as shown below:

Web Control

Projector Settings

Alert Mail Settings

Projector Setting

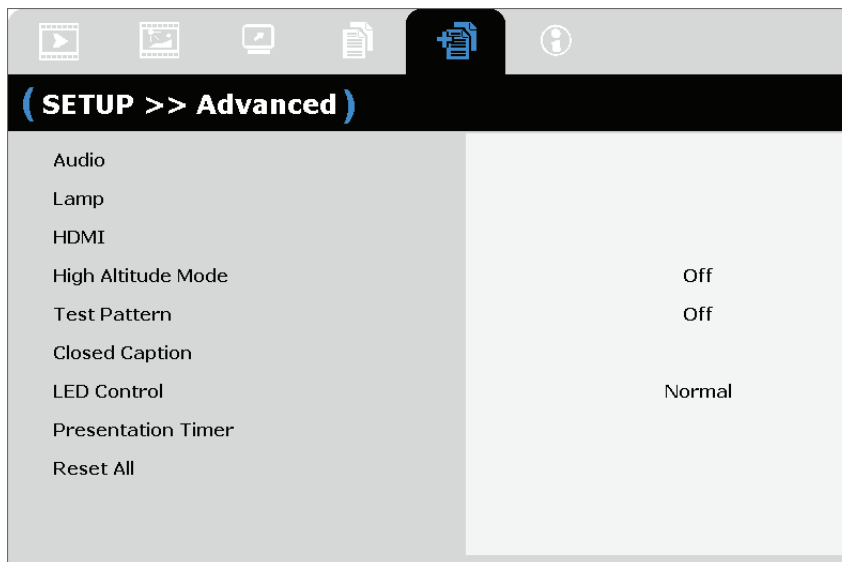
Enter the Projector settings in the fields below:

Group:

Name:

SETUP>>Advanced Menu

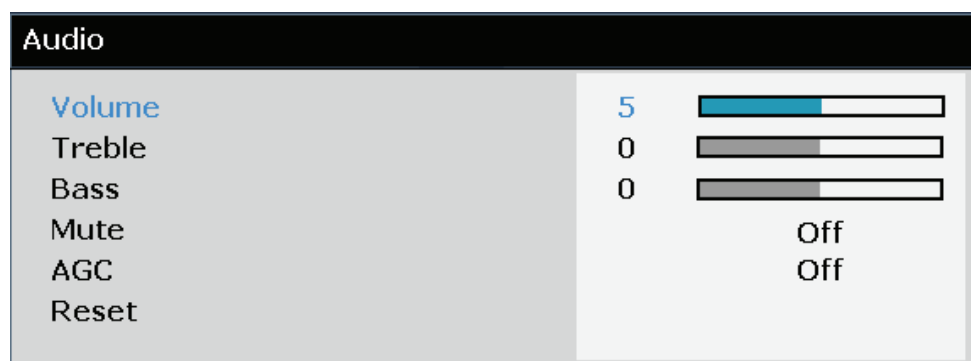
Press the **MENU** button to open the **OSD** menu. Press the cursor **◀▶** button to move to the **SETUP>>Advanced** menu. Press the cursor **▲▼** button to move up and down in the **SETUP>>Advanced** menu.



ITEM	DESCRIPTION
Audio	Press the ENTER/SELECT button to enter the Audio sub menu. See <i>Audio</i> on page 29.
Lamp	Press the ENTER/SELECT button to enter the Lamp sub menu. See <i>Lamp</i> on page 29.
HDMI	Press the ENTER/SELECT button to enter the HDMI sub menu. See <i>HDMI</i> on page 30.
High Altitude Mode	Press the cursor ◀▶ buttons to turn on or off High Altitude Mode when the altitude of the environment is higher than 1500m (4921 ft.).
Test Pattern	Press the cursor ◀▶ buttons to turn on or off the grid test pattern.
Closed Caption	Press the ENTER/SELECT button to enter the Closed Caption sub menu. See <i>Closed Caption</i> on page 30.
LED Control	Press the cursor ◀▶ buttons to turn the projector LED indicators on (Normal) and off (Off).
Presentation Timer	Press ◀ (ENTER/SELECT) / ▶ to the Presentation Timer menu. See <i>Presentation Timer</i> on page 31.
Reset All	Press the ENTER/SELECT button to enter reset all settings to default values.

Audio

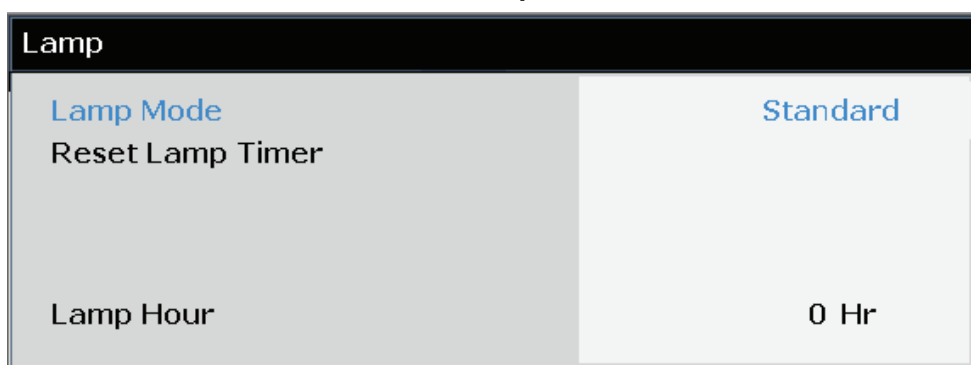
Press the **ENTER/SELECT** button to enter the **Audio** sub menu.



ITEM	DESCRIPTION
Volume	Press the ◀▶ buttons to adjust the audio Volume.
Treble	Press the ◀▶ buttons to adjust the audio Treble.
Bass	Press the ◀▶ buttons to adjust the audio Bass.
Mute	Press the ◀▶ buttons to turn on or off the internal and external speakers.
AGC	Press the ◀▶ buttons to turn on or off the Automatic Gain Control setting.
Reset	Press the ENTER/SELECT button to reset all settings to default values.

Lamp

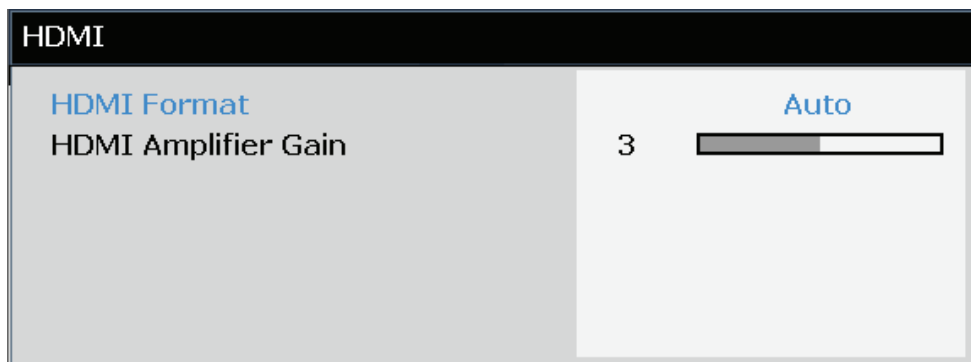
Press the **ENTER/SELECT** button to enter the **Lamp** sub menu.



ITEM	DESCRIPTION
Lamp Mode	Press the ◀▶ buttons to adjust lamp brightness.
Reset Lamp Timer	Press the ENTER/SELECT button to reset the Lamp Hour after the lamp is replaced.
Lamp Hour	Displays the number of hours the lamp has been in use.

HDMI

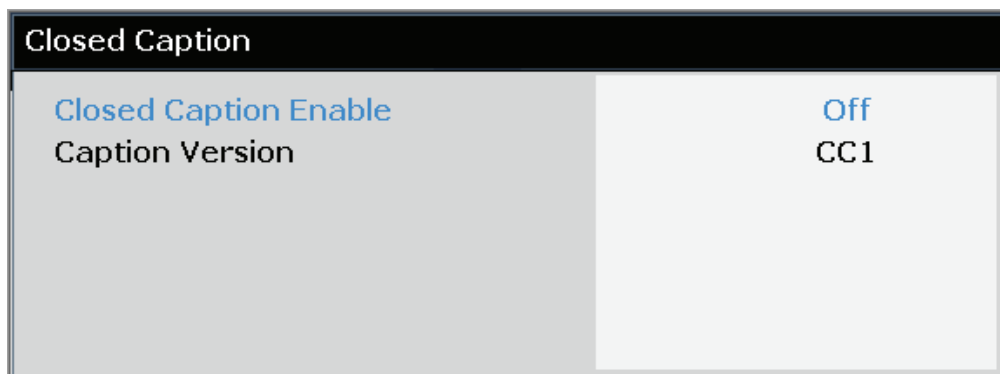
Press the **ENTER/SELECT** button to enter the **HDMI** sub menu.



ITEM	DESCRIPTION
HDMI Format	Press the ◀▶ buttons to select from three HDMI display formats: Auto/ PC signal/ Video signal.
HDMI Amplifier Gain	Press the ◀▶ buttons to adjust HDMI Amplifier Gain. Use this feature when using long HDMI cable runs.

Closed Caption

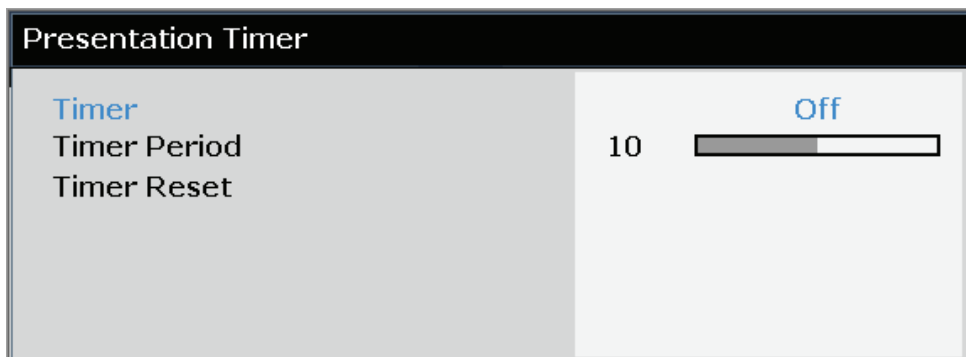
Press the **ENTER/SELECT** button to enter the **Closed Caption** sub menu.



ITEM	DESCRIPTION
Closed Caption Enable	Press the ◀▶ buttons to turn on or off Closed Caption.
Caption Version	Press the ◀▶ buttons to select the Caption Version.

Presentation Timer

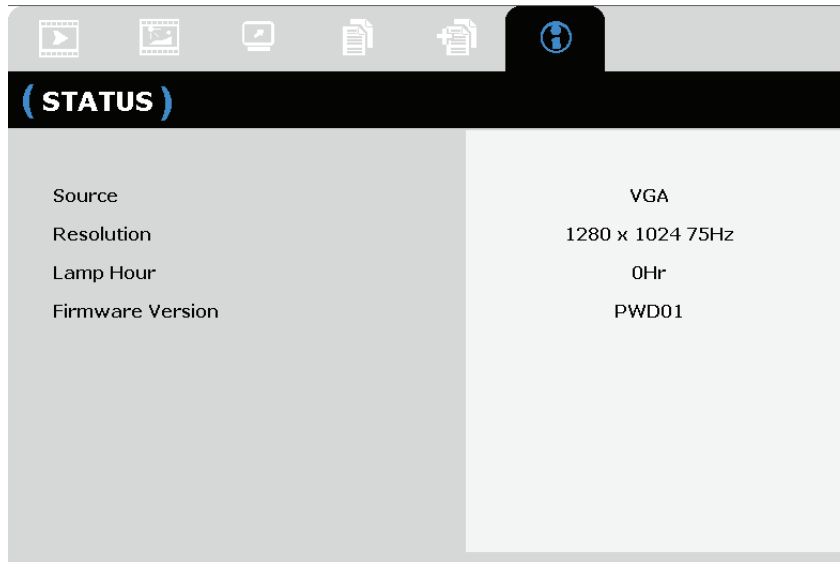
The Presentation Timer function can indicate the presentation time on the screen to help you achieve better time management when giving presentations.



ITEM	DESCRIPTION
Timer	Press the cursor ◀▶ button to enable or disable presentation timer.
Timer Period	Press the cursor ◀▶ button to select timer period (1 ~ 60 minutes)
Timer Reset	Press ◀ (ENTER/SELECT) / ▶ to reset the timer settings.

STATUS Menu

Press the **MENU** button to open the **OSD** menu. Press the cursor ◀▶ button to move to the **STATUS Menu**.



ITEM	DESCRIPTION
Source	Displays the activated input source.
Resolution	Displays the native resolution of input source.
Lamp Hour	Displays the number of hours the lamp has been in use.
Firmware Version	Displays the firmware version of the projector.

Note:

Status displayed in this menu is for viewing only and cannot be edited.

MAINTENANCE AND SECURITY

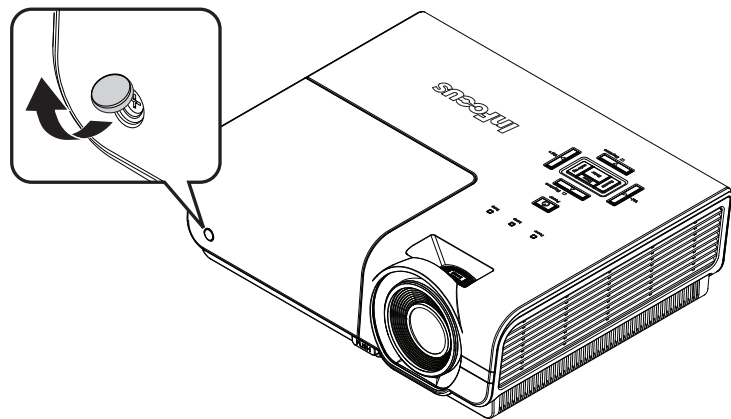
Replacing the Projection Lamp

The projection lamp should be replaced when it burns out. Be sure to use the InFocus lamp module designed for this projector. You can order new lamps from www.infocusstore.com (in select areas), your retailer or your dealer. Only genuine InFocus lamps are tested for use in this projector. Use of non InFocus lamps may cause electrical shock and fire, and may void the projector warranty. InFocus is not liable for the performance, safety or certification of any other lamps.

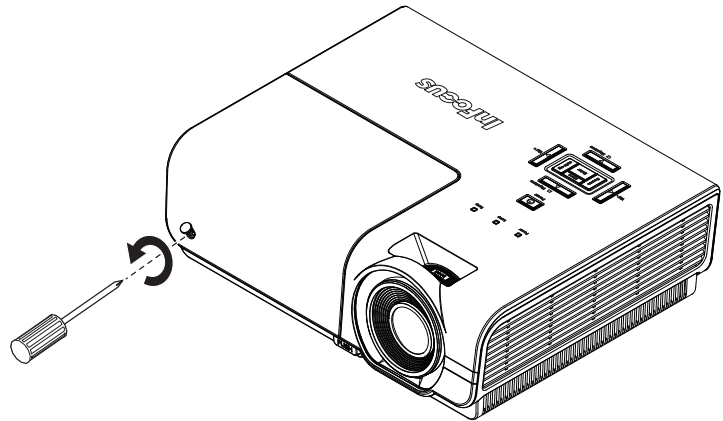
Warning:

- *The projector uses a high-pressure mercury glass lamp. The lamp may fail prematurely, or it may rupture with a popping sound if jolted, scratched, or handled while hot. The risk of lamp failure or rupture also increases as the lamp age increases; please replace the lamp when you see the "Replace Lamp"*
- *To avoid burns, allow the projector to cool for at least 60 minutes before you replace the lamp.*
- *Do not touch or block the projector lens with any objects as this can damage the projector lens. Scratches, gouges and other lens damage are not covered by the product warranty.*
- *Unplug the power cord before replacing the lamp.*
- *Do not drop the lamp module. The glass may shatter and cause injury.*
- *Do not touch the glass surface of the lamp module. Fingerprints can obscure projection sharpness and may cause the glass to shatter.*
- *Be extremely careful when removing the lamp housing. In the unlikely event that the lamp ruptures, small glass fragments may be generated. The lamp module is designed to contain most of these fragments, but use caution when removing it.*
- *Before replacing a ruptured lamp, clean the lamp compartment and dispose of cleaning materials. Wash hands after lamp replacement.*
- *When replacing the lamp while the projector is ceiling-mounted, wear protective eyewear to prevent eye injury. Hg – Lamp contains mercury. Manage in accordance with local disposal laws. See www.lamprecycle.org.*
- *Be sure to turn off and unplug the projector at least 60 minutes before replacing the lamp. Failure to do so could result in a severe burn.*

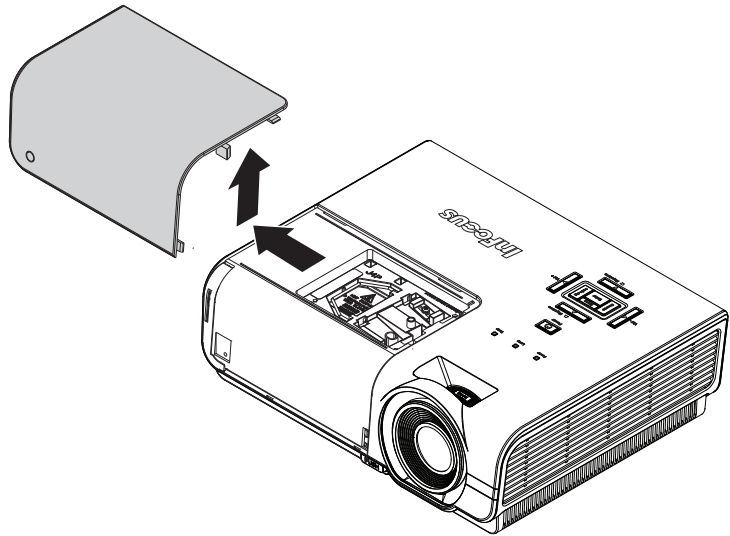
1. Pry the screw cover out.



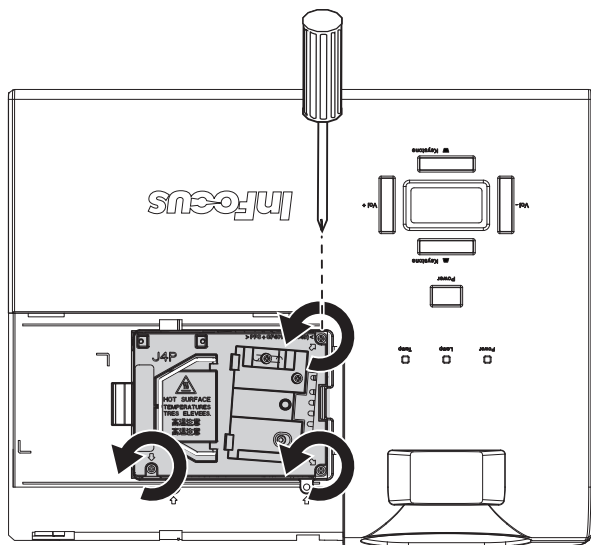
2. Remove the single screw on the lamp compartment cover.



3. Remove the lamp compartment cover.

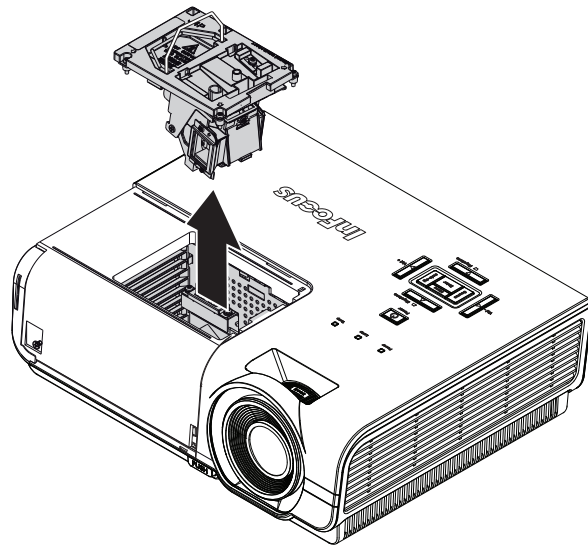


4. Remove the three screws from the lamp module.

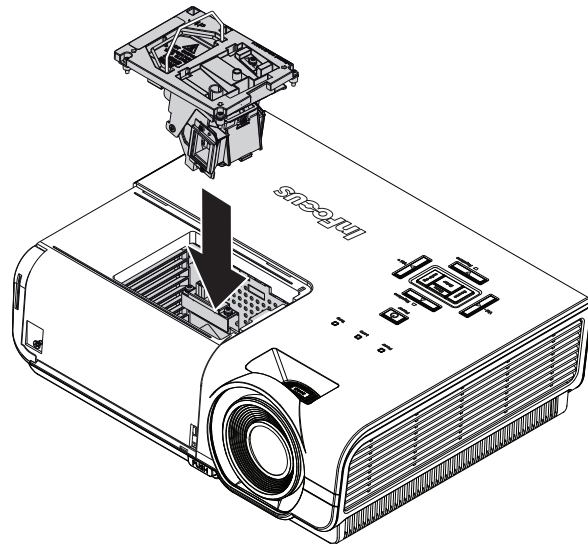


5. Lift the module handle up.

6. Pull firmly on the module handle to remove the lamp module.



7. Reverse steps 1 to 6 to install the new lamp module. While installing, align the lamp module with the connector and ensure it is level to avoid damage.



Note: The lamp module must sit securely in place and the lamp connector must be connected properly before tightening the screws.

8. Turn on the projector and reset the lamp after the lamp module is replaced.

Lamp Reset:

Press **Menu** → Select **SETUP >> Advanced >> Lamp >> Reset Lamp Timer** → Press the **◀▶** buttons to adjust the settings.(see Page 28)

Cleaning the Projector

Cleaning the projector to remove dust and grime will help ensure trouble-free operation.

Warning:

1. Be sure to turn off and unplug the projector at least 60 minutes before cleaning. Failure to do so could result in a severe burn.
2. Use only a dampened cloth when cleaning. Do not allow water to enter the ventilation openings on the projector.
3. If a little water gets into the projector interior while cleaning, leave unplugged in a well-ventilated room for several hours before using.
4. If a lot of water gets into the projector interior when cleaning, have the projector serviced.

Cleaning the Lens

You can purchase optic lens cleaner from most camera stores. Refer to the following to clean the projector lens.

1. Apply a little optic lens cleaner to a clean soft cloth. (Do not apply the cleaner directly to the lens.)
2. Lightly wipe the lens in a circular motion.

Caution:

1. Do not use abrasive cleaners or solvents.
2. To prevent discoloration or fading, avoid getting cleaner on the projector case.

Cleaning the Case

Refer to the following to clean the projector case.

1. Wipe off dust with a clean dampened cloth.
2. Moisten the cloth with warm water and mild detergent, and then wipe the case.
3. Rinse all detergent from the cloth and wipe the projector again.

Caution:

To prevent discoloration or fading of the case, do not use abrasive alcohol-based cleaners.

TROUBLESHOOTING

Common Problems and Solutions

These guidelines provide tips to deal with problems you may encounter while using the projector. If the problem remains unsolved, contact your dealer for assistance.

Often after time spent troubleshooting, the problem is traced to something as simple as a loose connection. Check the following before proceeding to the problem-specific solutions.

- *Use another electrical device to confirm that the electrical outlet is working.*
- *Ensure the projector is turned on.*
- *Ensure all connections are securely attached.*
- *Ensure the attached device is turned on.*
- *Ensure a connected PC is not in stand-by mode.*
- *Ensure a connected notebook computer is configured for an external display. (This is usually done by pressing a Fn-key combination on the notebook. Go to www.infocus.com/support and the Learn tab to review the Laptop Activation chart.)*

Tips for Troubleshooting

In each problem-specific section, try the steps in the order suggested. This may help you to solve the problem more quickly.

Try to pinpoint the problem and avoid replacing non-defective parts.

For example, if you replace batteries and the problem remains, put the original batteries back and go to the next step.

Keep a record of the steps you take when troubleshooting: The information may be useful when calling Technical Support and obtaining service.

LED Error Messages

ERROR CODE MESSAGES	POWER LED	LAMP / READY LED	TEMP LED
Powered on	Solid Green	Solid Red	OFF
Powering up	Solid Green	Flashing Red	OFF
Cooling down	Solid Green	Flashing Red	OFF
Over Temperature	OFF	OFF	Solid Red
Thermal Break Sensor error	Flashes Green 4x	Flashes Green 4x	OFF
Lamp error/Color wheel control error	Flashes Green 5x	OFF	OFF
Lamp End of lamp life detected	Flashes Green 5x	Flashes Green 3x	OFF
Burner Fan error	Flashes Green 6x	Flashes Green 1x	OFF
Lamp Fan error	Flashes Green 6x	Flashes Green 2x	OFF
Power Fan error	Flashes Green 6x	Flashes Green 3x	OFF
DMD Fan error	Flashes Green 6x	Flashes Green 4x	OFF
Case Open	Flashes Green 7x	OFF	OFF
DMD error/Ignition failed	Flashes Green 8x	OFF	OFF
Color wheel error	Flashes Green 9x	OFF	OFF

In the event of an error, please disconnect the AC power cord and wait for one (1) minute before re-starting the projector. If the POWER or LAMP LEDs are still blinking or the TEMP LED is lit, contact InFocus Technical Support at www.infocus.com/support.

Image Problems

Problem: No image appears on the screen

1. Verify the settings on your notebook or desktop PC.
2. Turn off all equipment and power up again in the correct order.
3. Many laptops do not automatically turn on their external video port when a projector is connected. Usually a key combination like **FN + F8** or CRT/LCD key turns the external display on and off. Locate a function key labeled CRT/LCD or function key with a monitor symbol. Press FN and the labeled function key simultaneously.

Problem: The image is blurred

1. Adjust the **Focus** on the projector.
2. Press the **Auto Image** button on the remote control or the Re-sync button on the keypad.
3. Ensure the projector-to-screen distance is within the 10-meter (33-foot) specified range.
4. Check that the projector lens is clean.

Problem: The image is wider at the top or bottom (trapezoid effect)

1. Position the projector so it is as perpendicular to the screen as possible.
2. Use the **Keystone** button on the remote control or projector to correct the problem.

Problem: The image is reversed

Check the **Projection** setting on the **Setup >> Basic** menu of the OSD.

Problem: The image is streaked

1. Set the **Frequency** and **Tracking** settings on the **Display >> PC Detail Adjustment** menu of the OSD to the default settings.
2. To ensure the problem is not caused by a connected PC's video card, connect to another computer.

Problem: The image is flat with no contrast

Adjust the **Contrast** setting on the **Picture >> Basic** menu of the OSD.

Problem: The color of the projected image does not match the source image.

Adjust the **Color Temperature** and **Gamma** settings on the **Picture >> Advanced** menu of the OSD.

Lamp Problems

Problem: There is no light from the projector

1. Check that the power cable is securely connected.
2. Ensure the power source is good by testing with another electrical device.
3. Restart the projector in the correct order and check that the Power LED is green.
4. If you have replaced the lamp recently, try resetting the lamp connections.
5. Replace the lamp module.
6. Put the old lamp back in the projector and have the projector serviced.

Problem: The lamp goes off

1. Power surges can cause the lamp to turn off. Unplug and re-plug the power cord and press the Power button.
2. If the lamp still does not ignite, unplug the projector and allow it to cool for 60 minutes. Replace the lamp.
3. If a new lamp does not resolve the issue, put the old lamp back into the projector and arrange to have the projector repaired.

Remote Control Problems

Problem: The projector does not respond to the remote control

1. Direct the remote control towards remote sensor on the projector.
2. Ensure the path between remote and sensor is not obstructed.
3. Turn off any fluorescent lights in the room.
4. Check the battery polarity.
5. Replace the batteries.
6. Turn off other Infrared-enabled devices in the vicinity.
7. Have the remote control replaced.

Audio Problems

Problem: There is no sound

1. Adjust the volume on the remote control.
2. Adjust the volume of the audio source.
3. Check the audio cable connection.
4. Test the source audio output with other speakers.
5. Have the projector serviced.

Problem: The sound is distorted

1. Check the audio cable connection.
2. Test the source audio output with other speakers.
3. Have the projector serviced.

Having the Projector Serviced

If you are unable to solve the problem contact InFocus Technical Support at www.infocus.com/support. If your projector needs repair, pack the projector in the original carton and include the return authorization number on the outside of the box.

HDMI Q & A

Q. What is the difference between a “Standard” HDMI cable and a “High-Speed” HDMI cable?

Recently, HDMI Licensing, LLC announced that cables would be tested as Standard or High-Speed cables.

Standard (or “category 1”) HDMI cables have been tested to perform at speeds of 75Mhz or up to 2.25Gbps, which is the equivalent of a 720p/1080i signal.

High Speed (or “category 2”) HDMI cables have been tested to perform at speeds of 340Mhz or up to 10.2Gbps, which is the highest bandwidth currently available over an HDMI cable and can successfully handle 1080p signals including those at increased color depths and/or increased refresh rates from the Source. High-Speed cables are also able to accommodate higher resolution displays, such as WQXGA cinema monitors (resolution of 2560 x 1600).

Q. How do I run HDMI cables longer than 10 meters?

There are many HDMI Adopters working on HDMI solutions that extend a cable’s effective distance from the typical 10 meter range to much longer lengths. These companies manufacture a variety of solutions that include active cables (active electronics built into cables that boost and extend the cable’s signal), repeaters, amplifiers as well as CAT5/6 and fiber solutions.

Q. How can I tell if a cable is an HDMI certified cable?

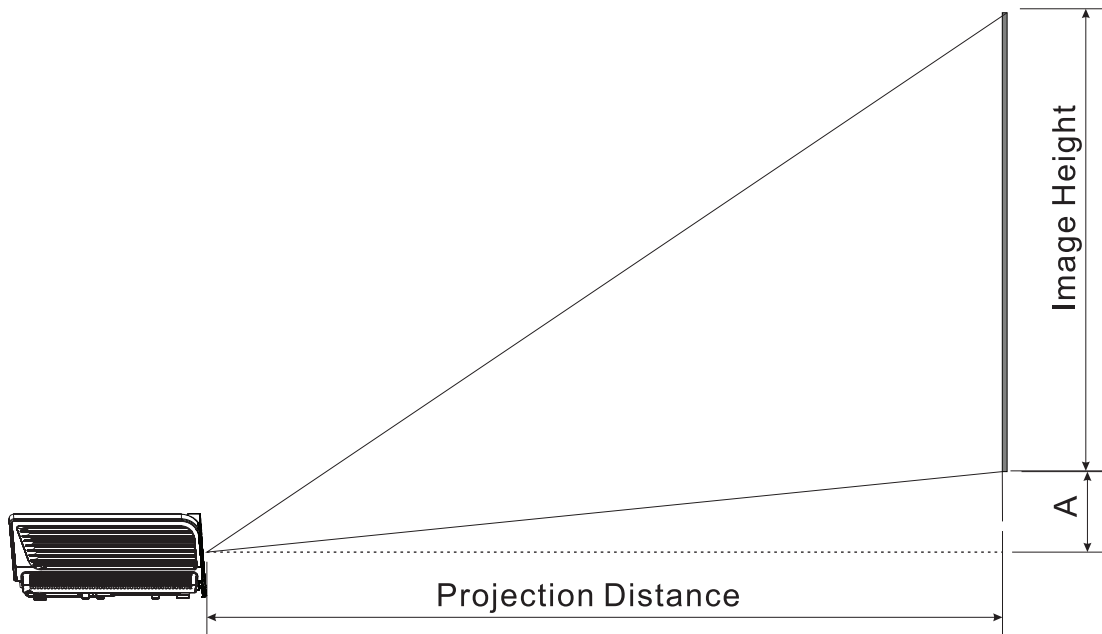
All HDMI products are required to be certified by the manufacturer as part of the HDMI Compliance Test Specification. However, there may be instances where cables bearing the HDMI logo are available but have not been properly tested. HDMI Licensing, LLC actively investigates these instances to ensure that the HDMI trademark is properly used in the market. We recommend that consumers buy their cables from a reputable source and a company that is trusted.

For more detailed information, go to: <http://www.hdmi.org/learningcenter/faq.aspx#49>

Specifications

Model	IN3118HD
Display type	TI DLP DMD 0.65"
Native Resolution	1920 x 1080
Projection distance	1 meters ~ 10 meters (3.28 ft ~ 32.8 ft)
Projection screen size	23.67" ~ 284" (60cm ~ 721cm)
Projection lens	Manual Focus/Manual Zoom
Zoom ratio	1.2
Vertical keystone correction	+/- 15 degrees
Auto Keystone	Yes
Projection methods	Front, Rear, Desktop/Ceiling (Rear, Front)
Data compatibility	VGA, SVGA, XGA, SXGA, UXGA, WUXGA, Mac
SDTV/ EDTV/ HDTV	480i, 480p, 576i, 576p, 720p, 1080i, 1080p
Video compatibility	NTSC 4.43, PAL (M/N/60), SECAM
H-Sync	15K, 31 – 90 KHz
V-Sync	50 – 85 Hz
Safety certification	FCC-B, UL, cUL, CB, CE, CCC, PCT, PSB, SABS, NOM, CECP, SASO, UKERT, Tuv-GS, KC, UL-s for Argentina and C-TICK
Operation temperature	0° ~ 40°C (32° ~ 104°F)
Dimensions (W x D x H)	332.8 mm x 254.6 mm x 113 mm (13.1" x 10.0" x 4.45")
AC Input	AC Universal 100-240, Typical @ 110VAC (100-240)/± 10%
Power consumption	STD mode: 370W / ECO mode: 300W
Stand By	RS232 Control Enabled <1 watt (Default) RJ45 Control Enabled <10 watts
Lamp	STD mode: 280W / ECO mode: 230W
Audio speaker	AMP 3W speaker
Input Terminals	Digital: HDMI x 2
	Analog: RGB HD-15 x 1
	Composite: RCA x 1
	S-Video: mini din x 1
	Audio in: Φ 3.5 mm stereo mini jack x 1; RCA x 1 R/L
Output Terminals	Analog: RGB HD-15 x 1
	Mini-jack stereo x 1
Control Terminals	RS-232: DSUB-9 x 1
	HID mouse: USB connector type B RJ45
Security	Security cable lock slot

Projection Distance vs. Projection Size



Projection Distance and Size Table

16:9 SCREEN				PROJECTION DISTANCE			VERTICAL OFFSET (A) MM(INCH)
DIAGONAL		WIDTH	HEIGHT	MIN LENGTH (WITH MAX ZOOM)	AVERAGE	MAX LENGTH (WITH MIN ZOOM)	
INCH	MM	MM(INCH)	MM(INCH)				
30	762	664(26)	374(15)	1056(42)	1162(46)	1267(50)	56(2.2)
40	1016	886(35)	498(20)	1408(55)	1549(61)	1690(67)	75(2.9)
50	1270	1107(44)	623(25)	1760(69)	1936(76)	2112(83)	93(3.7)
60	1524	1328(52)	747(29)	2112(83)	2323(91)	2534(100)	112(4.4)
80	2032	1771(70)	996(39)	2816(111)	3098(122)	3379(133)	149(5.9)
100	2540	2214(87)	1245(49)	3520(139)	3872(152)	4224(166)	187(7.3)
120	3048	2657(105)	1494(59)	4224(166)	4646(183)	5069(200)	224(8.8)
150	3810	3321(131)	1868(74)	5280(208)	5808(229)	6336(249)	280(11)
200	5080	4428(174)	2491(98)	7040(277)	7744(305)	8448(333)	374(14.7)
220	5588	4870(192)	2740(108)	7744(305)	8518(335)	9293(366)	411(16.2)
250	6350	5535(218)	3113(123)	8800(346)	9680(381)	10560(416)	467(18.4)
300	7620	6641(261)	3736(147)	10560(416)			560(22)

Timing Mode Table

The projector can display several resolutions. The following table outlines the resolutions that can be displayed by the projector.

SIGNAL	RESOLUTION	H-SYNC (KHz)	V-SYNC (Hz)	COMPOSITE / S-VIDEO	VGA (ANALOG)	HDMI (DIGITAL)
NTSC	—	15.734	60.0	○	—	—
PAL/SECAM	—	15.625	50.0	○	—	—
VESA	720 x 400	37.9	85.0	—	○	○
	640 x 480	31.5	60.0	—	○	○
	640 x 480	37.9	72.8	—	○	○
	640 x 480	37.5	75.0	—	○	○
	640 x 480	43.3	85.0	—	○	○
	800 x 600	35.2	56.3	—	○	○
	800 x 600	37.9	60.3	—	○	○
	800 x 600	46.9	75.0	—	○	○
	800 x 600	48.1	72.2	—	○	○
	800 x 600	53.7	85.1	—	○	○
	1024 x 768	48.4	60.0	—	○	○
	1024 x 768	56.5	70.1	—	○	○
	1024 x 768	60.0	75.0	—	○	○
	1024 x 768	68.7	85.0	—	○	○
	1280 x 800	49.7	59.8	—	○	○
	1280 x 800	62.8	74.9	—	○	○
	1280 x 800	71.6	84.8	—	○	○
	1280 x 1024	64.0	60.0	—	○	○
	1280 x 1024	80.0	75.0	—	○	○
	1280 x 1024	91.1	85.0	—	○	○
	1400 x 1050	65.3	60.0	—	○	○
	1440 x 900	55.9	60.0	—	○	○
	1600 x 1200	75.0	60	—	○	○
1920 x 1080	67.2	60	—	○	○	
1920 x 1200	74.0	60	—	○	○	
Apple Macintosh	640 x 480	35.0	66.7	—	○	○
	832 x 624	49.7	74.5	—	○	○
	1024 x 768	60.2	74.9	—	○	○
	1152 x 870	68.7	75.1	—	○	○
SDTV	480i	15.734	60.0	—	○	○
	576i	15.625	50.0	—	○	○
EDTV	576p	31.3	50.0	—	○	○
	480p	31.5	60.0	—	○	○

SIGNAL	RESOLUTION	H-SYNC (KHz)	V-SYNC (Hz)	COMPOSITE / S-VIDEO	VGA (ANALOG)	HDMI (DIGITAL)
HDTV	720p	37.5	50.0	—	O	O
	720p	45.0	60.0	—	O	O
	1080i	33.8	60.0	—	O	O
	1080i	28.1	50.0	—	O	O
	1080p	67.5	60.0	—	O	O
	1080p	56.3	50.0	—	O	O

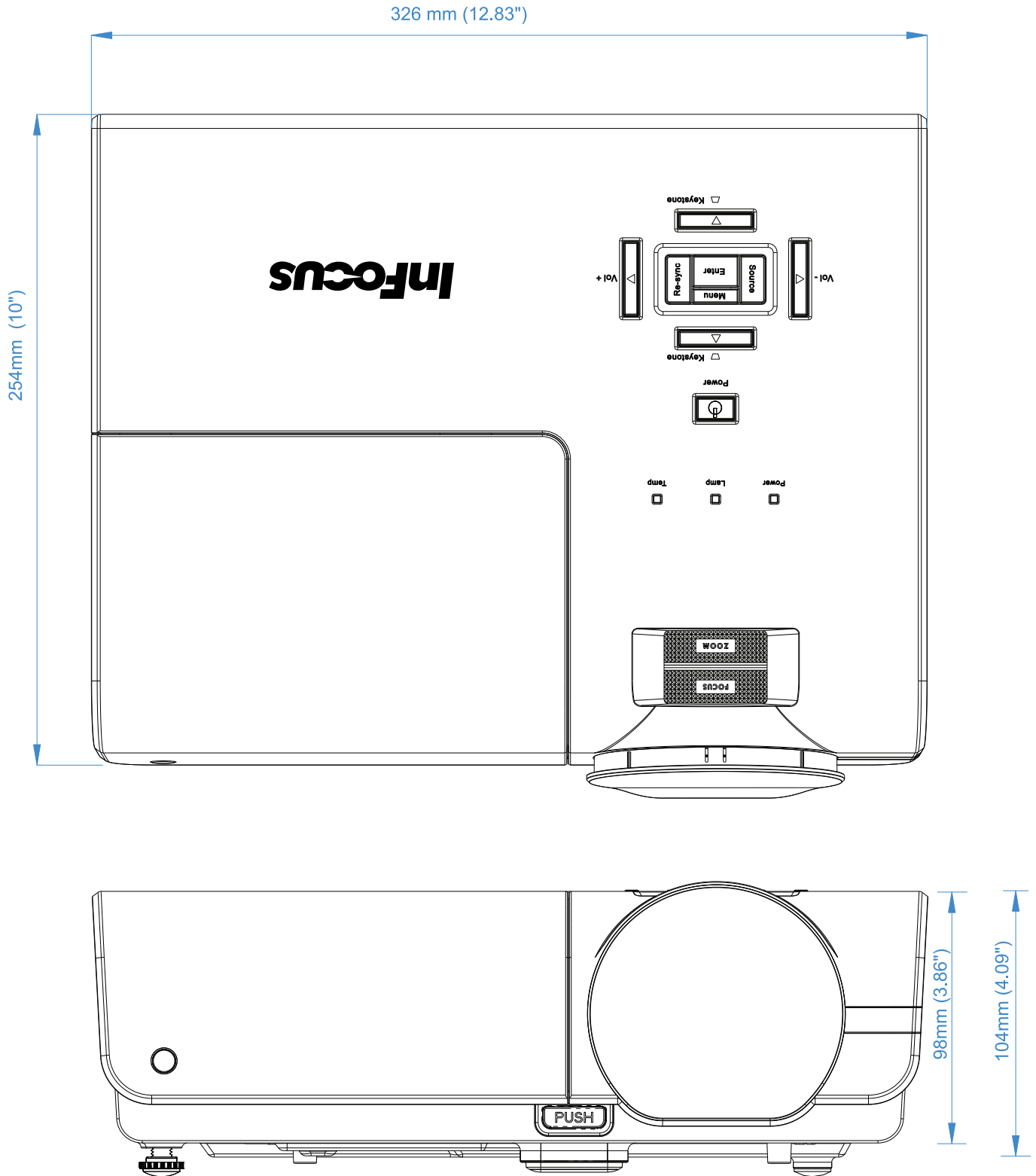
O: Frequency supported

—: Frequency not supported

(*) VGA support EDTV/SDTV/HDTV component with an adapter.

The native resolution of the panel for the IN3118HD is 1920 x 1080 Resolution other than native resolution may display with uneven size of text or lines.

Projector Dimensions



REGULATORY COMPLIANCE

FCC Warning

This equipment has been tested and found to comply with the limits for a Class B digital device pursuant to Part 15 of the FCC Rules. These limits are designed to provide reasonable protection against harmful interference when the equipment is operated in a commercial environment.

This equipment generates, uses, and can radiate radio frequency energy and, if not installed and used in accordance with the instruction manual, may cause harmful interference to radio communications. Operation of this equipment in a residential area is likely to cause harmful interference in which case the user will be required to correct the interference at his/her own expense.

Changes or modifications not expressly approved by the parties responsible for compliance could void the user’s authority to operate the equipment.

Canada

This class B digital apparatus complies with Canadian ICES-003.

WEEE



NOTE: This product is covered electrical and electronic equipment under the European Union’s Waste from Electrical and electronic Equipment (“WEEE”) Directive (2002/96/EC). The WEEE Directive requires that covered equipment be collected and managed separately from typical household waste in all EU member states. Please follow the guidance of your local environmental authority or ask the shop where you purchased the product for collection or recycling options.

Safety Certifications

FCC-B, UL, cUL, CB, CE, CCC, PCT, PSB, SABS, NOM, CECP, SASO, UKERT, Tuv-GS, KC, UL-s for Argentina and C-TICK

Free Manuals Download Website

<http://myh66.com>

<http://usermanuals.us>

<http://www.somanuals.com>

<http://www.4manuals.cc>

<http://www.manual-lib.com>

<http://www.404manual.com>

<http://www.luxmanual.com>

<http://aubethermostatmanual.com>

Golf course search by state

<http://golfingnear.com>

Email search by domain

<http://emailbydomain.com>

Auto manuals search

<http://auto.somanuals.com>

TV manuals search

<http://tv.somanuals.com>